



US00D963041S

(12) **United States Design Patent**
Astete

(10) **Patent No.:** **US D963,041 S**
(45) **Date of Patent:** **** Sep. 6, 2022**

(54) **FINGER-BALL CHALLENGER TOY**

(71) Applicant: **David Gustavo Astete**, Alexandria, VA
(US)

(72) Inventor: **David Gustavo Astete**, Alexandria, VA
(US)

(**) Term: **15 Years**

(21) Appl. No.: **29/749,875**

(22) Filed: **Sep. 9, 2020**

D306,058	S	*	2/1990	Blake	D21/721
5,163,680	A	*	11/1992	Amron	A63B 63/083 273/371
5,368,306	A	*	11/1994	Madsen	A63B 67/083 273/412
D388,850	S	*	1/1998	Ranger	D21/759
D403,483	S	*	12/1998	Bernatz	D32/35
D429,301	S	*	8/2000	Ranger	D21/759
D577,258	S	*	9/2008	Mansfield	D7/509
7,641,199	B1	*	1/2010	Clarke	A63B 67/10 273/330
D633,948	S	*	3/2011	Roach	D21/303
D729,320	S	*	5/2015	Parker	D21/303
D761,622	S	*	7/2016	Kushner	D21/300
D804,900	S	*	12/2017	Choe	D7/509

(Continued)

Related U.S. Application Data

(63) Continuation-in-part of application No. 29/749,873,
filed on Sep. 9, 2020.

(51) **LOC (13) Cl.** **21-01**

(52) **U.S. Cl.**
USPC **D21/303**

(58) **Field of Classification Search**

USPC D21/300, 301, 302, 303, 304, 305, 309,
D21/310, 312, 313, 314, 315, 699, 701,
D21/702, 703, 704, 705, 706, 707, 708,
D21/759, 781, 789

CPC A63B 65/00; A63B 1/00; A63B 67/00;
A63B 63/00; A63B 63/04; A63B 63/045;
A63B 63/08; A63B 67/06; A63B 47/001;
A63B 69/0086; A63B 2208/0204; A63B
67/083; A63B 67/10; A63B 67/22; A63F
1/067; A47B 25/00

See application file for complete search history.

(56) **References Cited**

U.S. PATENT DOCUMENTS

1,339,846	A	*	5/1920	Downey	A63F 9/0204 273/389
3,398,955	A	*	8/1968	Rakestraw	A63B 69/0079 273/400
D266,860	S	*	11/1982	Nelson	D21/717

Primary Examiner — Mehri F Bajoul

(57) **CLAIM**

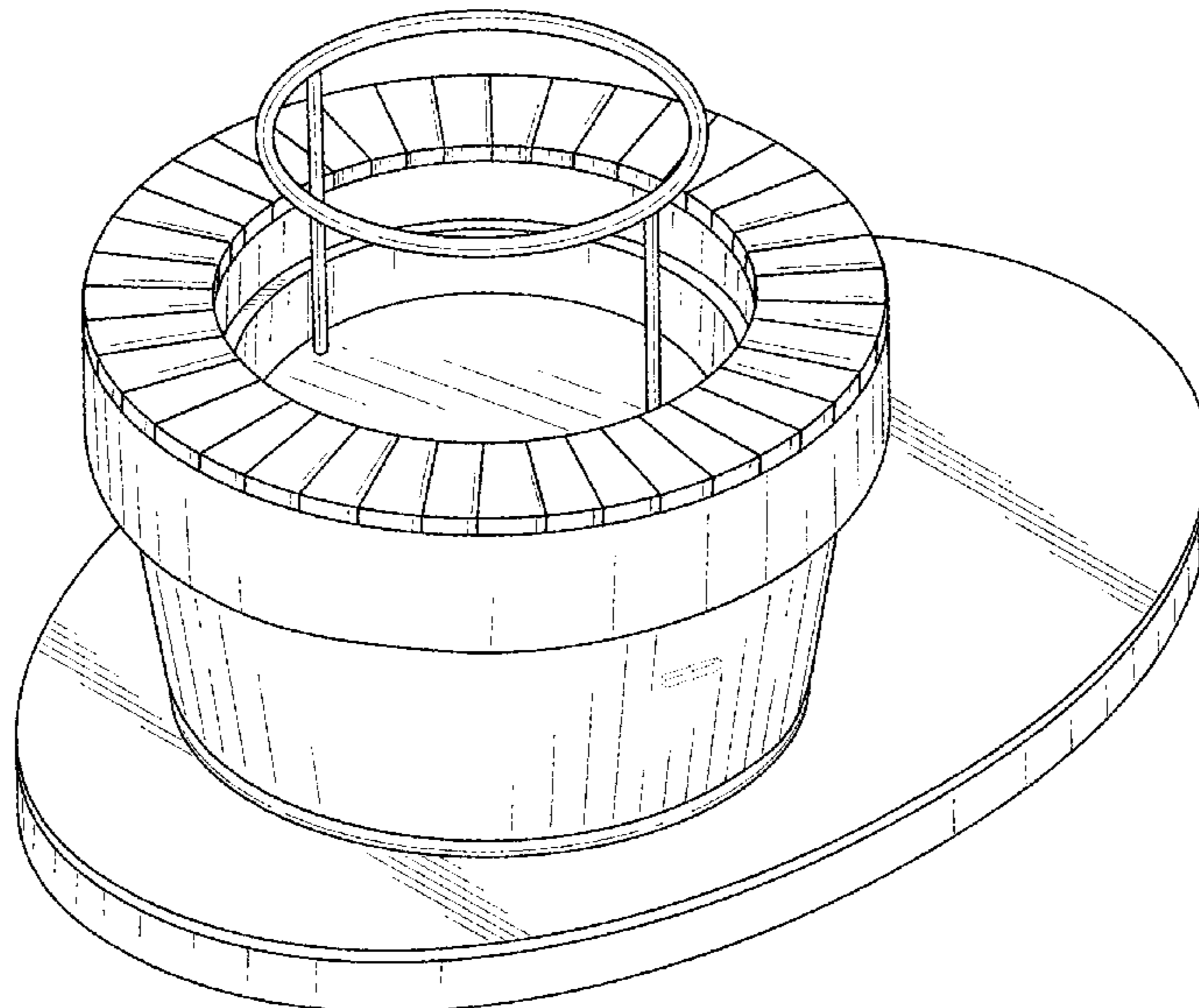
The ornamental design for a finger-ball challenger toy, as shown and described.

DESCRIPTION

FIG. 1 is a top-front-left perspective view of a finger-ball challenger toy showing my new design; FIG. 2 is a bottom-rear-right perspective view thereof; FIG. 3 is a front elevated view thereof; FIG. 4 is a rear elevated view thereof; FIG. 5 is a top plan view thereof; FIG. 6 is a bottom plan view thereof; FIG. 7 is a right elevated view thereof; FIG. 8 is a left elevated view thereof; FIG. 9 is a top-front-left perspective view thereof showing the claimed design in condition of use; and, FIG. 10 is a top-front-left perspective view thereof.

The broken lines showing of the connectors, in FIGS. 1-2 and 7-10, a tethered ball, a finger fastener and a field signage, in FIGS. 9-10, are included for the purpose of showing environmental structure and form no part of the claimed design.

1 Claim, 10 Drawing Sheets



(56)

References Cited

U.S. PATENT DOCUMENTS

D809,607 S *	2/2018	Digiaco	D21/333
D812,162 S *	3/2018	Hassey	D21/759
D856,430 S *	8/2019	Cangi	D21/303
D873,347 S *	1/2020	Mauro	D21/302
D878,504 S *	3/2020	Parham	D21/698
D879,226 S *	3/2020	Parham	D21/698
D892,228 S *	8/2020	Waxkirsh	D21/309
D903,025 S *	11/2020	Davis	D21/789
D936,775 S *	11/2021	Yevchak	D21/789
2011/0121512 A1 *	5/2011	Walker, Jr.	A63B 67/10 273/333

* cited by examiner

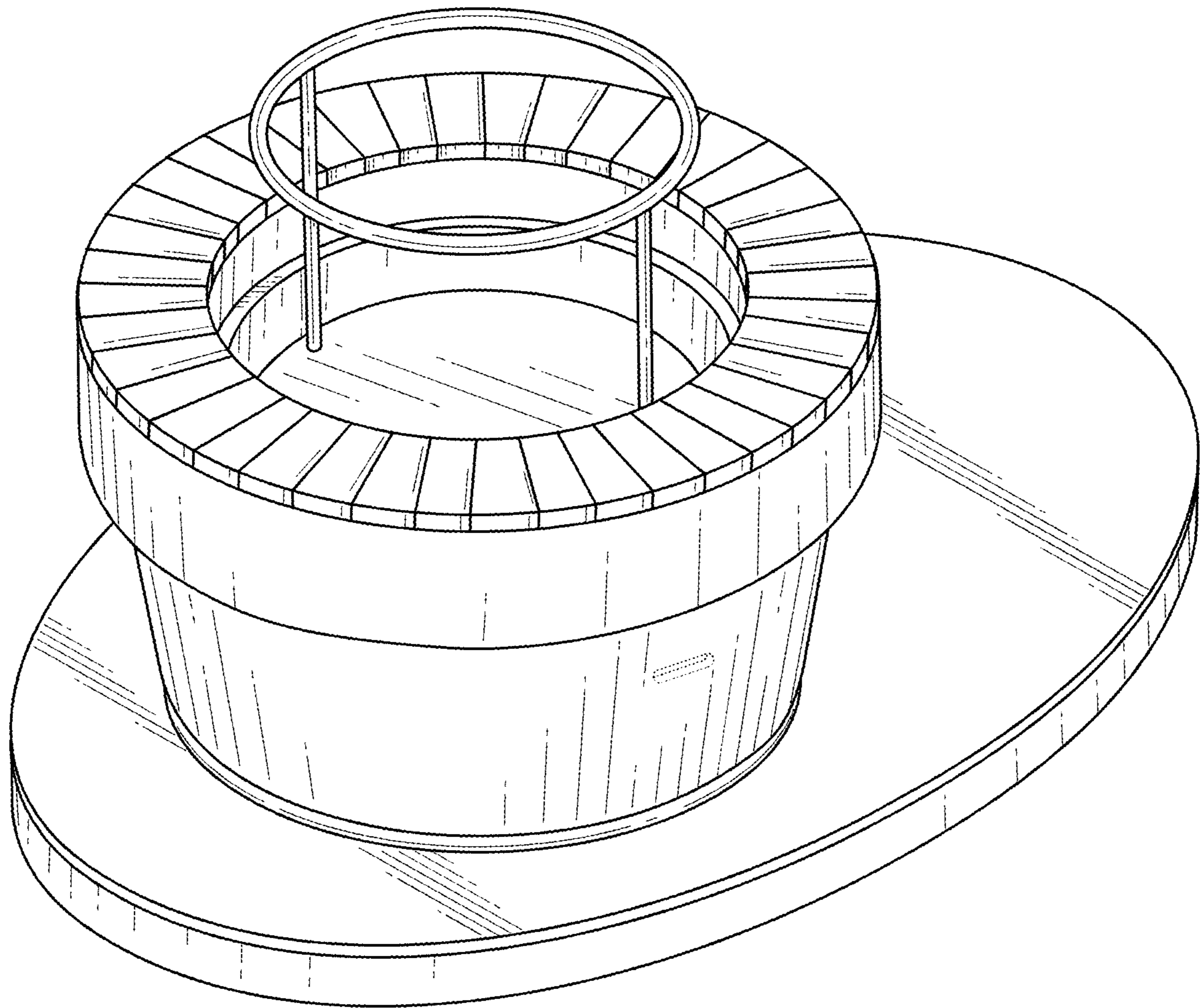


FIG. 1

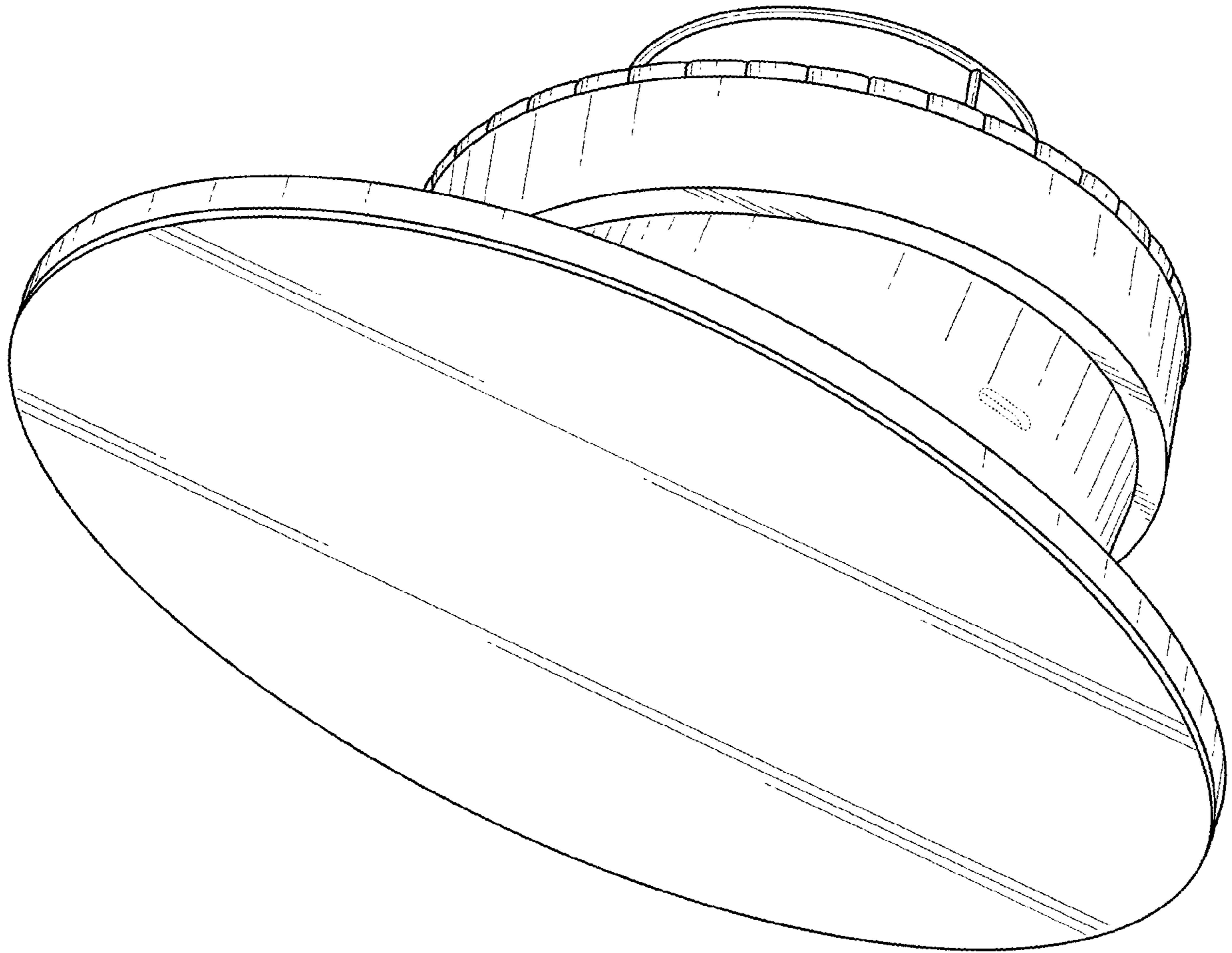


FIG. 2

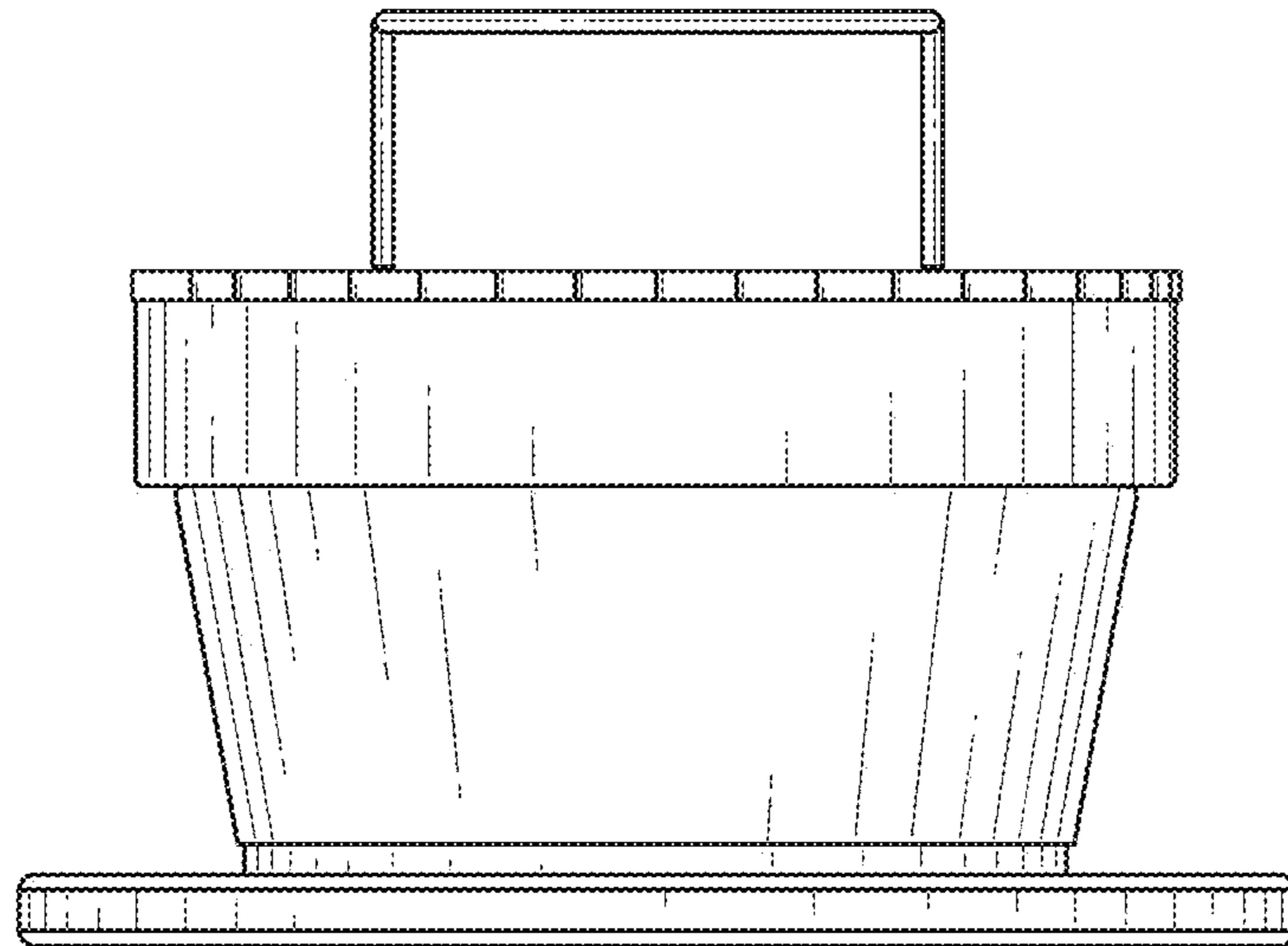


FIG. 3

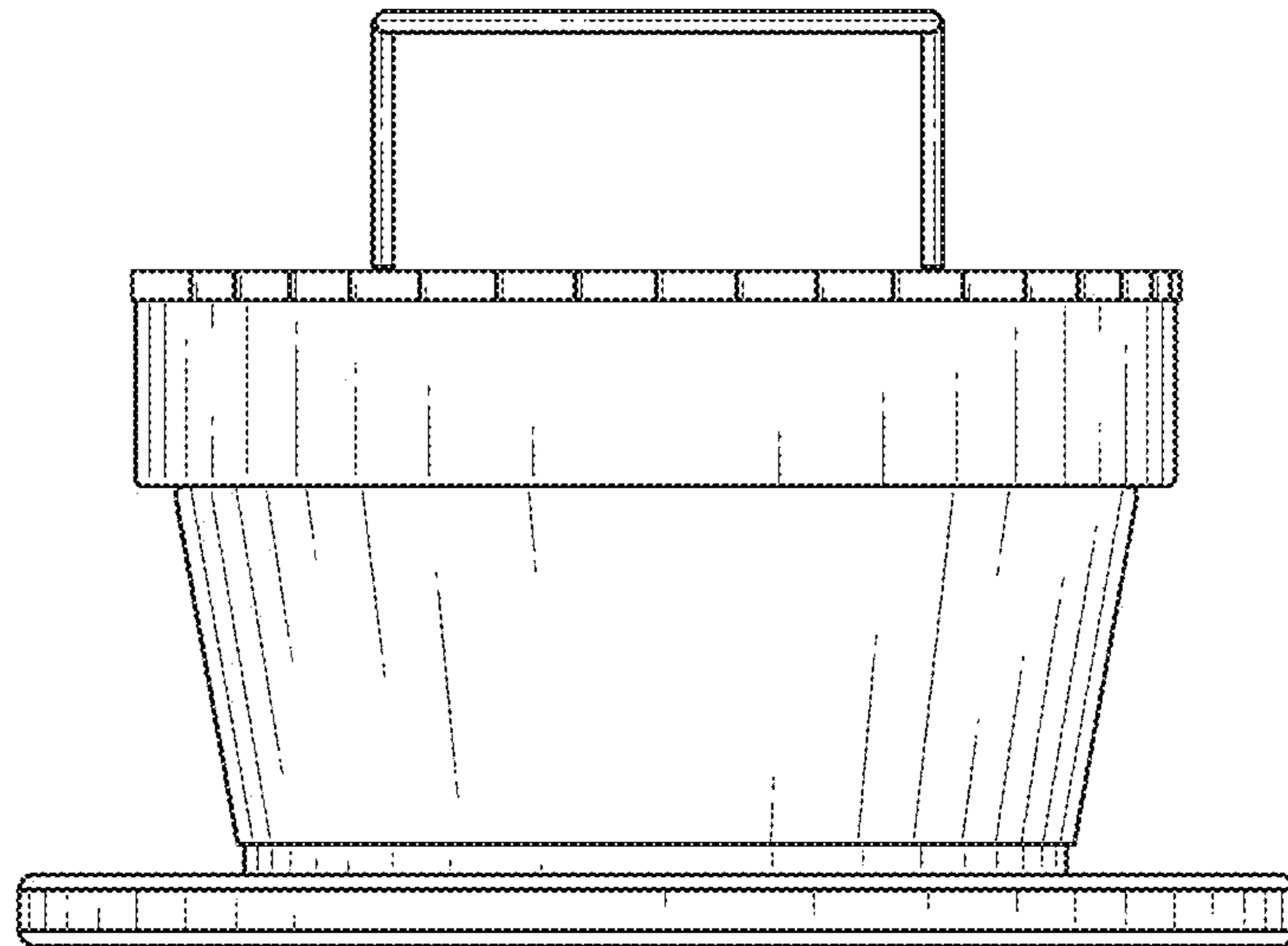


FIG. 4

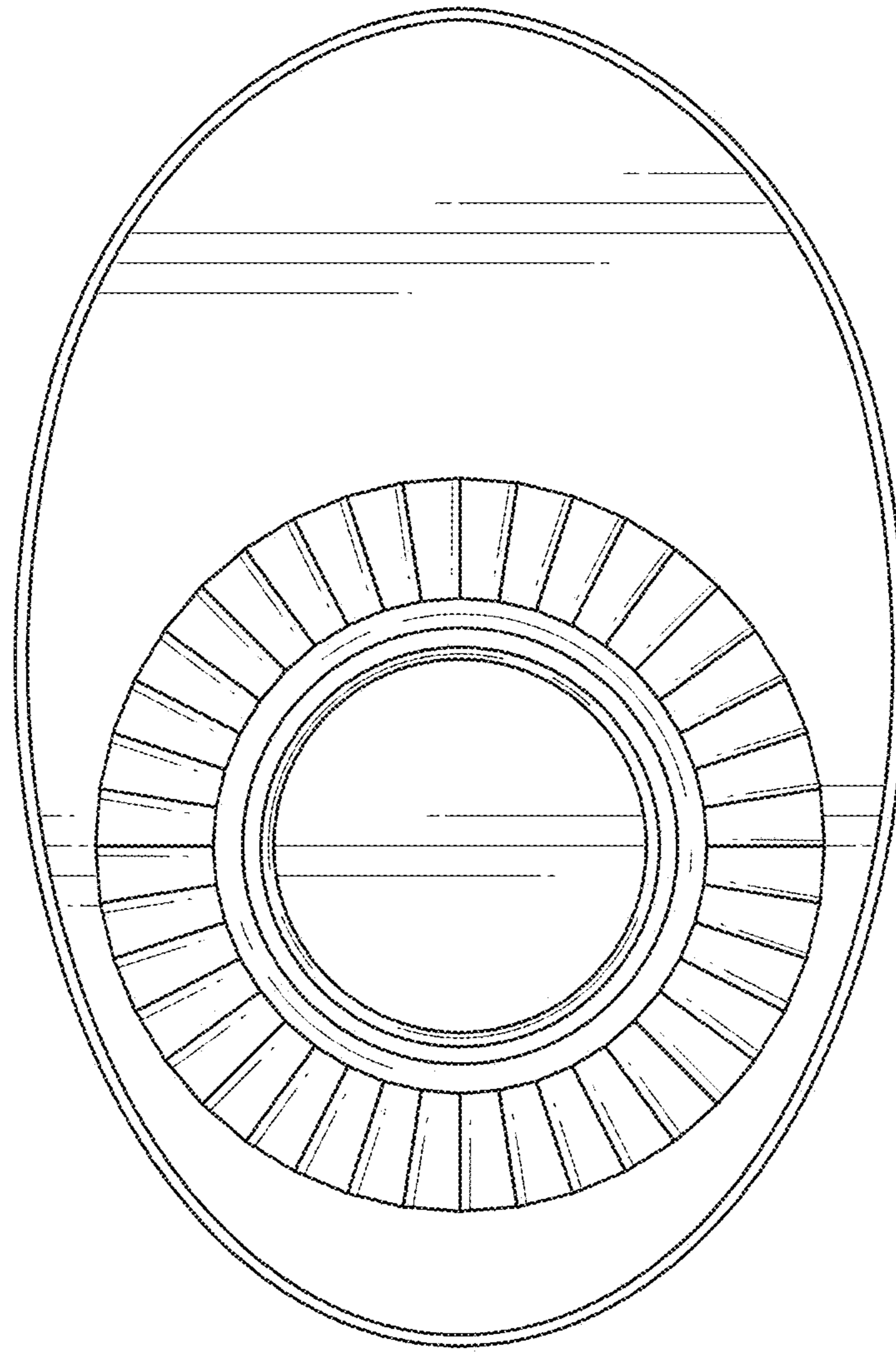


FIG. 5

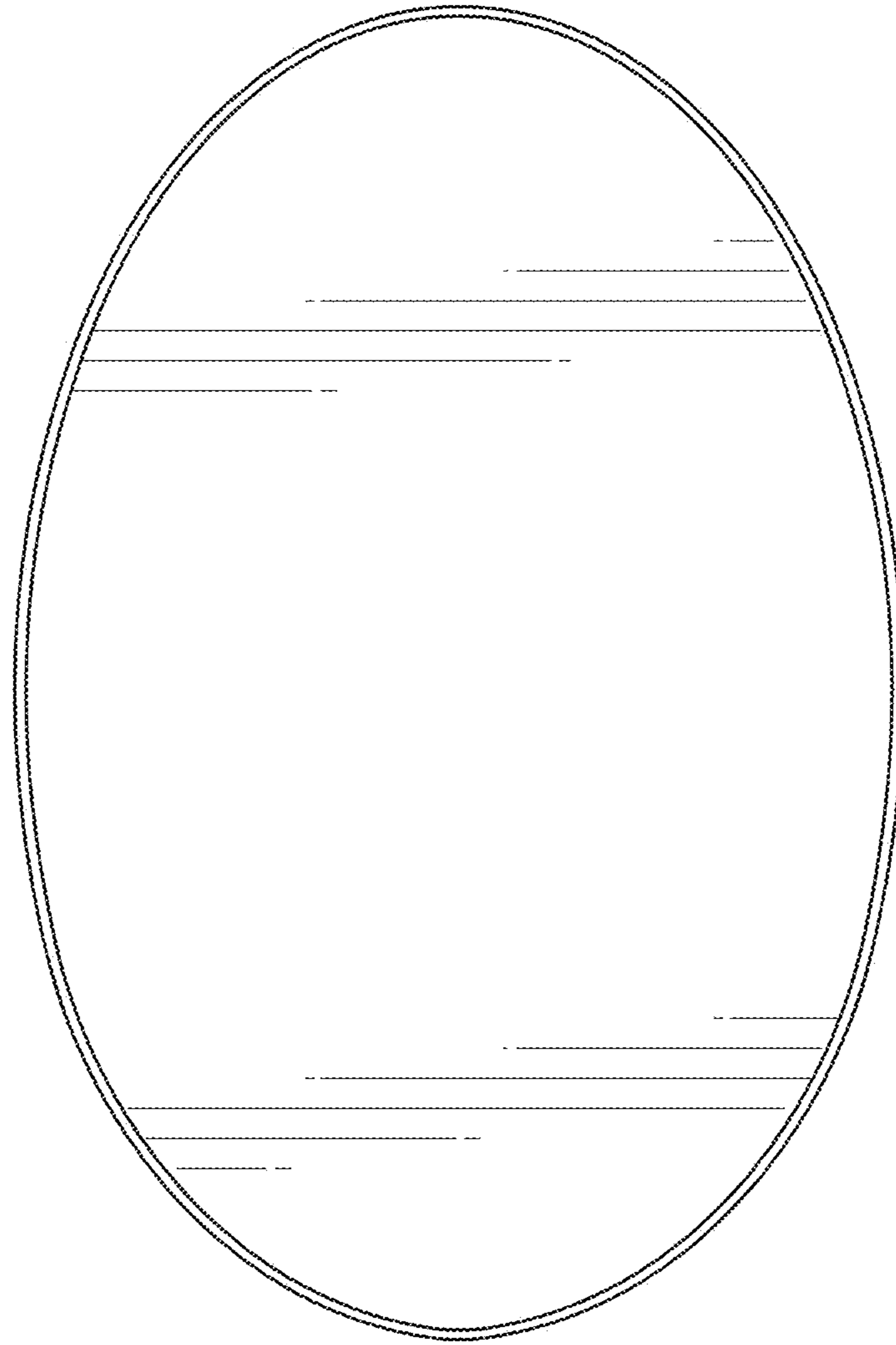


FIG. 6

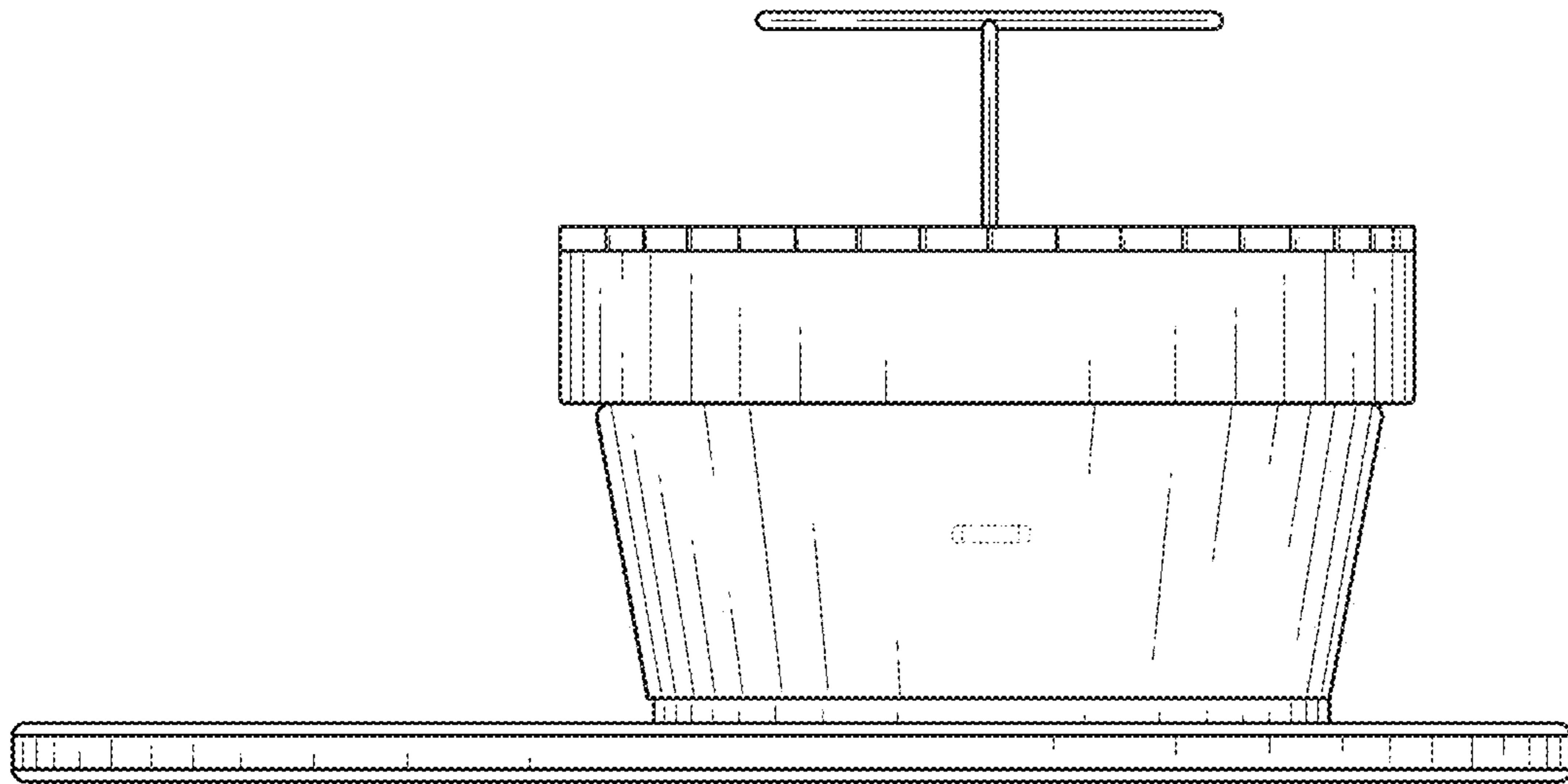


FIG. 7

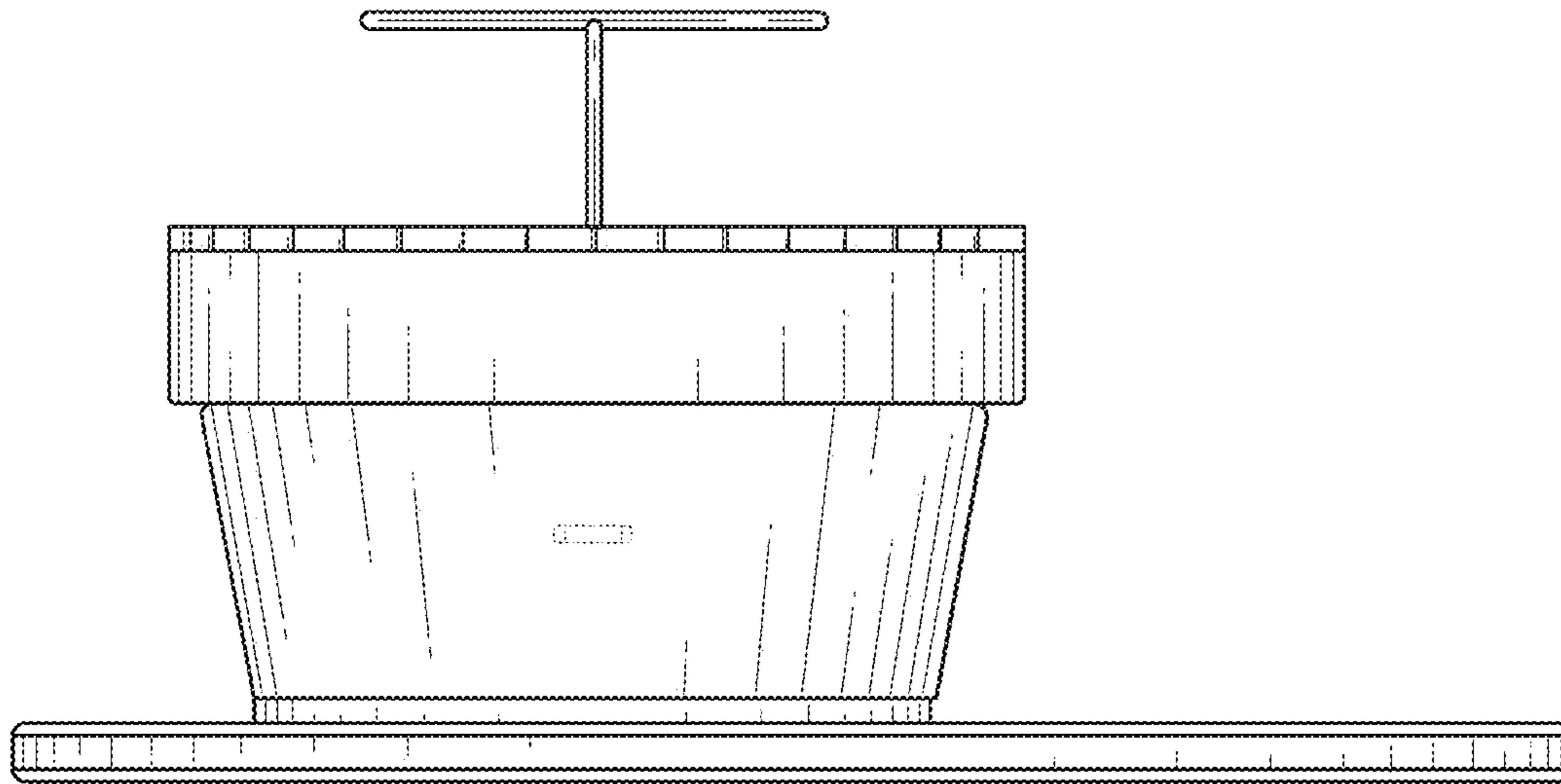


FIG. 8

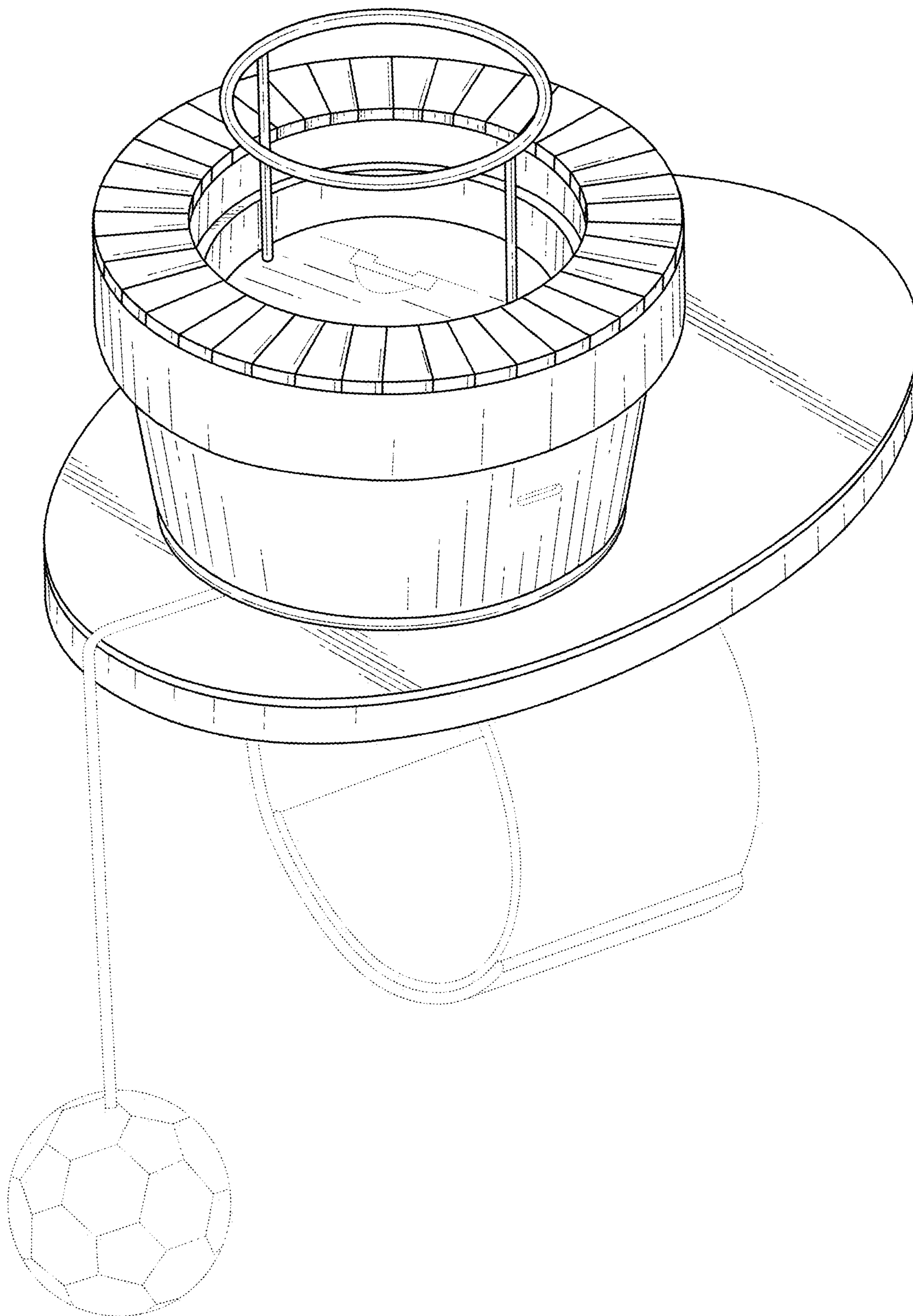


FIG. 9

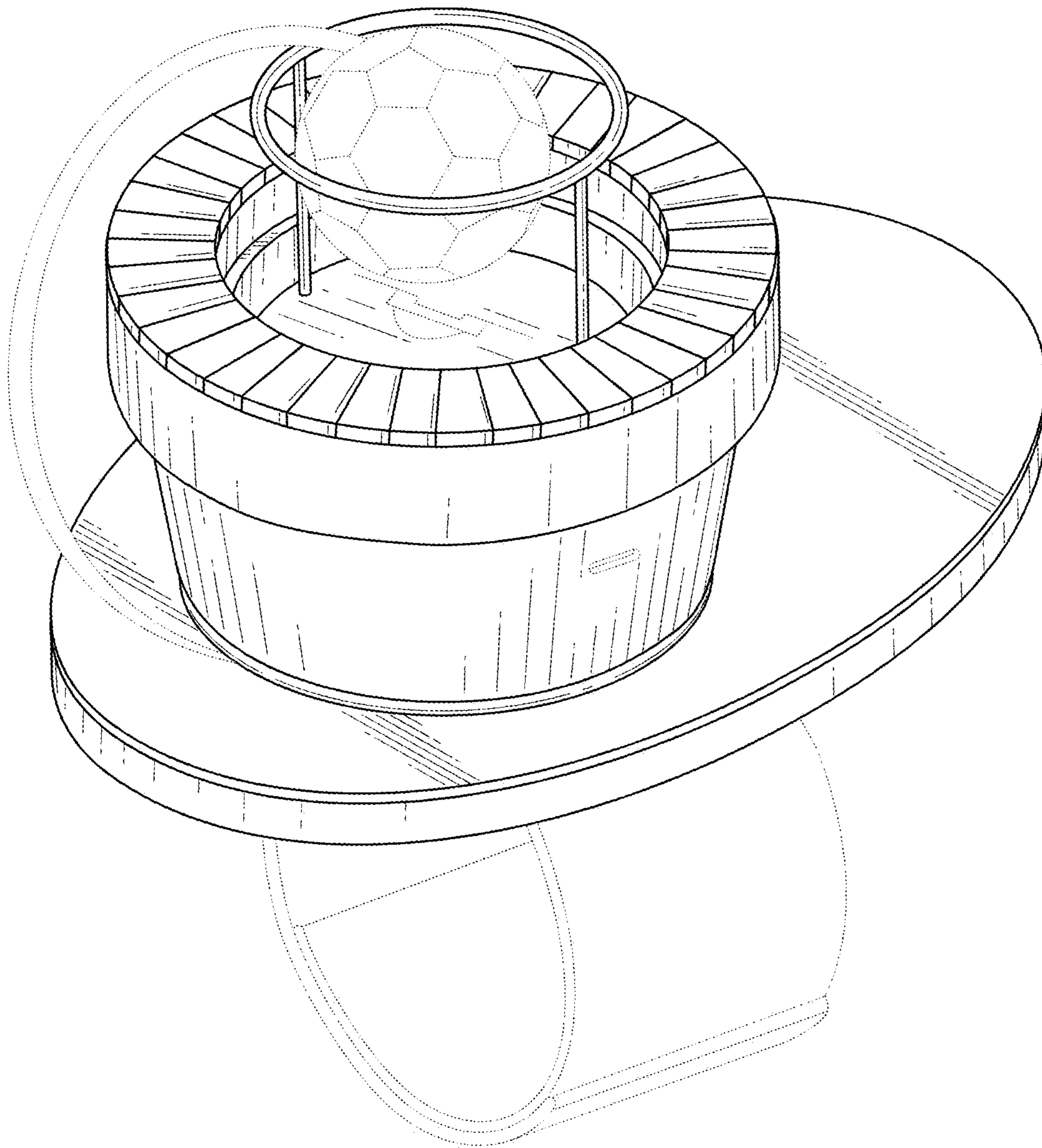


FIG. 10