



US00D963030S

(12) **United States Design Patent**
Feng

(10) **Patent No.:** **US D963,030 S**

(45) **Date of Patent:** **** Sep. 6, 2022**

- (54) **SOFTBOX WITH TRIPOD STAND**
- (71) Applicant: **SHENZHEN QISHI TECHNOLOGY CO., LTD.**, Shenzhen (CN)
- (72) Inventor: **Yali Feng**, Shenzhen (CN)
- (73) Assignee: **SHENZHEN QISHI TECHNOLOGY CO., LTD.**, Shenzhen (CN)

- (**) Term: **15 Years**
- (21) Appl. No.: **29/766,395**
- (22) Filed: **Jan. 15, 2021**
- (51) **LOC (13) Cl.** **16-05**
- (52) **U.S. Cl.**
USPC **D16/244; D26/118**
- (58) **Field of Classification Search**
USPC D8/354, 355, 363, 373, 382, 383, 394;
D14/224; D16/219, 237-250; D26/118,
D26/119, 124
CPC F16M 11/14; F16M 11/16; F16M 11/242;
F16M 11/32; F16M 11/38; G03B 17/54;
G03B 17/561
See application file for complete search history.

(56) **References Cited**

U.S. PATENT DOCUMENTS

- 4,446,506 A * 5/1984 Larson G03B 15/02
362/450
- 10,216,066 B2 * 2/2019 Pilby G03B 15/06
(Continued)

OTHER PUBLICATIONS

Softbox lighting light kit, eFavorMart, https://www.efavormart.com/products/photography-video-studio-continuous-softbox-lighting-light-kit-with-photo-cfl-85w-bulb?variant=35131796050&gclid=EAIalQobChMlsvSj8vKI9wIVXv_jBx3-lwmhEAKYASABEglvPfd_BwE, retrieved Apr. 21, 2022 (Year: 2022).*

Primary Examiner — Richard Kearney
Assistant Examiner — Benjamin M Weeks

(57) **CLAIM**

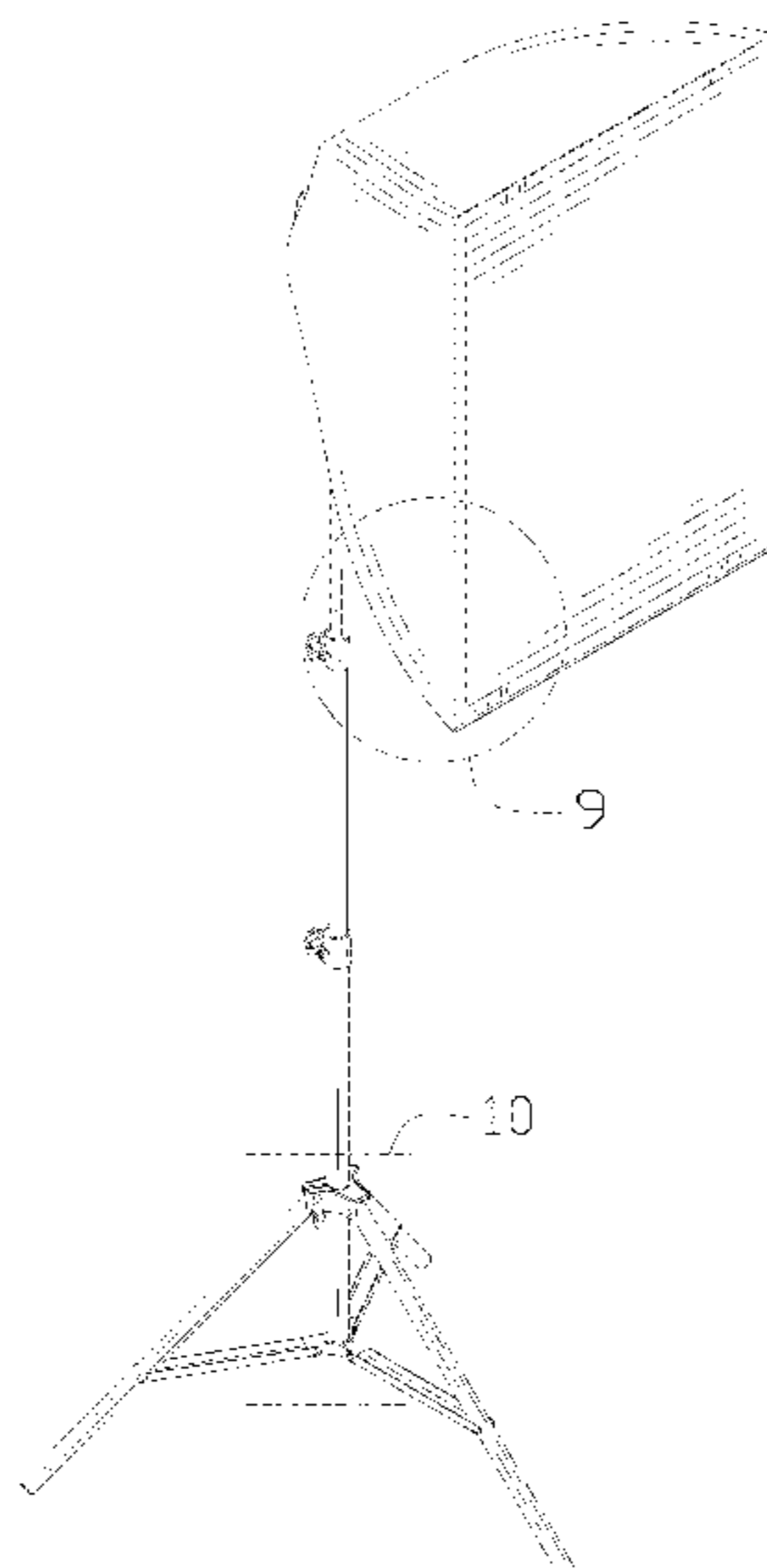
The ornamental design for a softbox with tripod stand, as shown and described.

DESCRIPTION

FIG. 1 is a perspective view of a softbox with tripod stand showing my new design;
 FIG. 2 is another perspective view thereof;
 FIG. 3 is a front elevational view thereof;
 FIG. 4 is a rear elevational view thereof;
 FIG. 5 is a left side elevational view thereof;
 FIG. 6 is a right side elevational view thereof;
 FIG. 7 is a top plan view thereof;
 FIG. 8 is a bottom plan view thereof;
 FIG. 9 is an enlarged view of portion 9 shown in FIG. 1;
 FIG. 10 is an enlarged view of portion 10 shown in FIG. 1;
 FIG. 11 is an enlarged view of portion 11 shown in FIG. 2;
 FIG. 12 is an enlarged view of portion 12 shown in FIG. 2;
 FIG. 13 is an enlarged view of portion 13 shown in FIG. 4;
 FIG. 14 is an enlarged view of portion 14 shown in FIG. 5;
 FIG. 15 is an enlarged view of portion 15 shown in FIG. 8;
 FIG. 16 is a perspective view of a light bulb component of the softbox with tripod stand, shown separately for ease of illustration;
 FIG. 17 is another perspective view thereof;
 FIG. 18 is a front elevational view thereof;
 FIG. 19 is a rear elevational view thereof;
 FIG. 20 is a left side elevational view thereof;
 FIG. 21 is a right side elevational view thereof;
 FIG. 22 is a top plan view thereof; and,
 FIG. 23 is a bottom plan view thereof.

The broken lines in the drawings depict portions of the softbox with tripod stand that form no part of the claimed design.

1 Claim, 23 Drawing Sheets



(56)

References Cited

U.S. PATENT DOCUMENTS

D881,980	S *	4/2020	Zhu	D16/244
D940,782	S *	1/2022	Zhu	D16/244
D946,644	S *	3/2022	Lin	D16/244
D947,274	S *	3/2022	Tian	D16/244
D947,927	S *	4/2022	Tian	D16/244
2006/0007666	A1 *	1/2006	Cook	G03B 15/02 362/16
2006/0203491	A1 *	9/2006	Waltz	F21V 21/14 362/269
2010/0124068	A1 *	5/2010	Karle	G03B 15/02 29/592

* cited by examiner

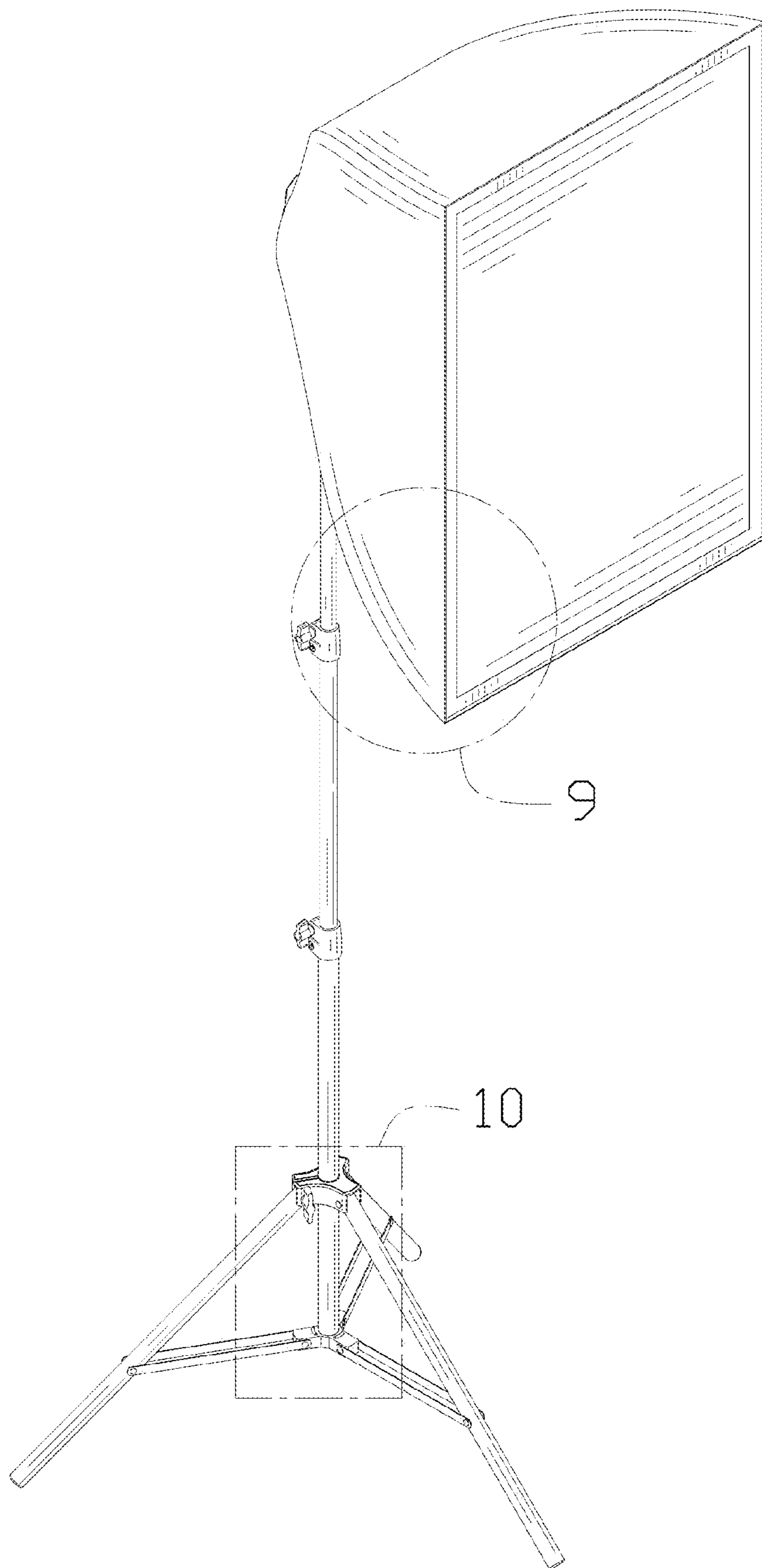


FIG. 1

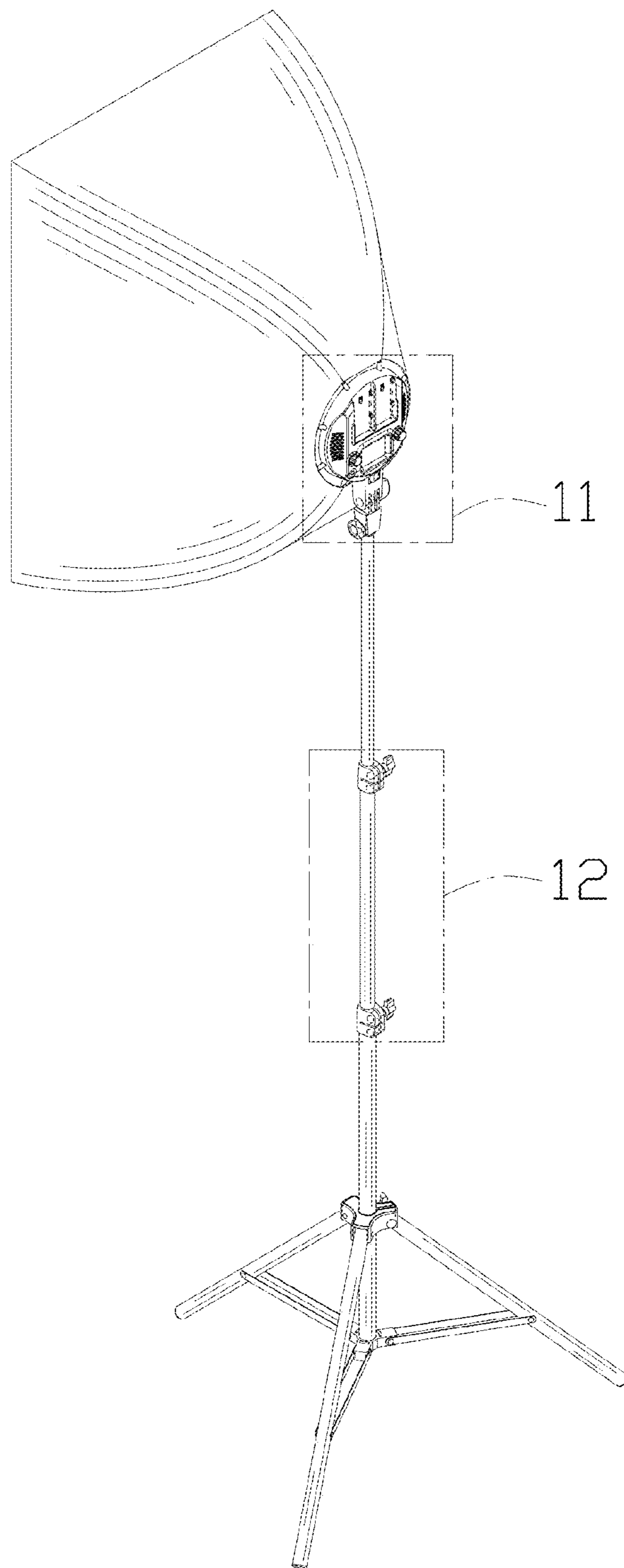


FIG. 2

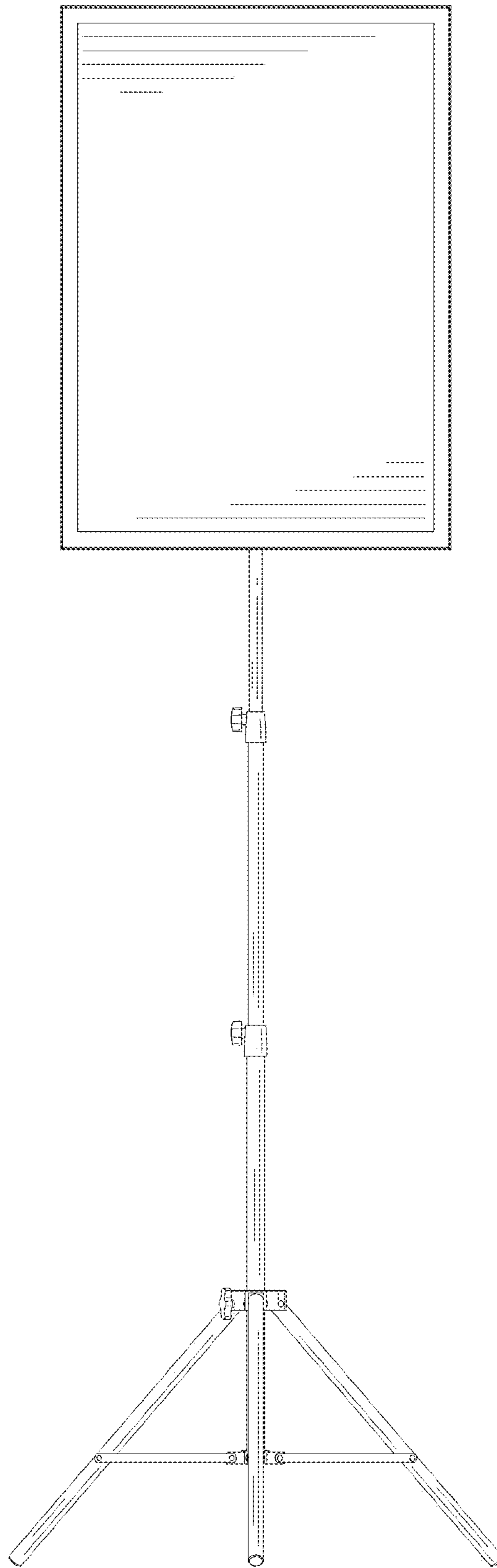


FIG. 3

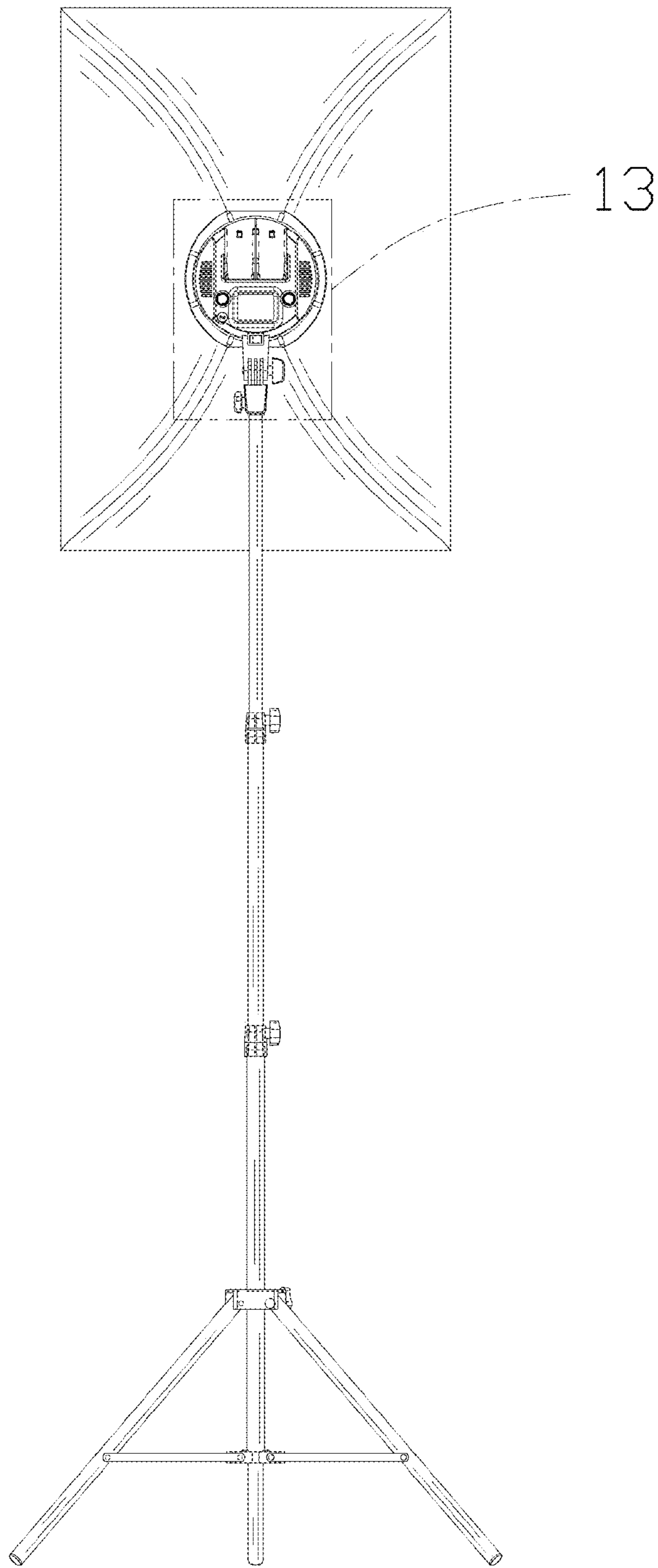


FIG. 4

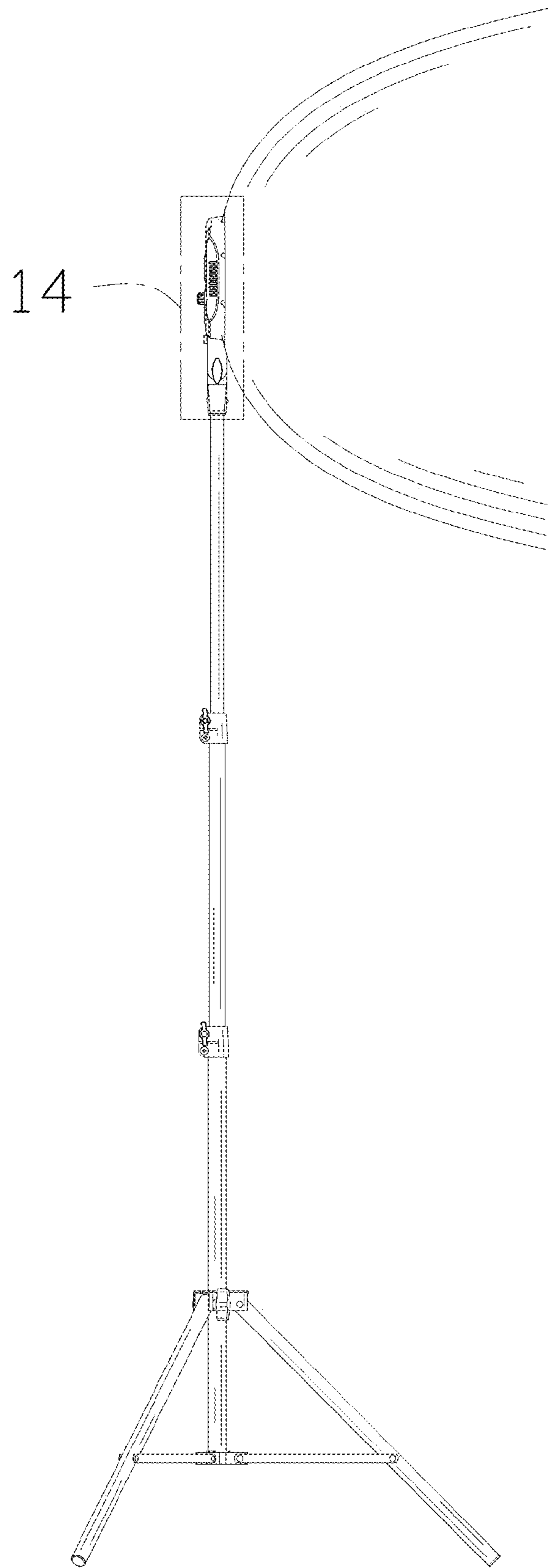


FIG. 5

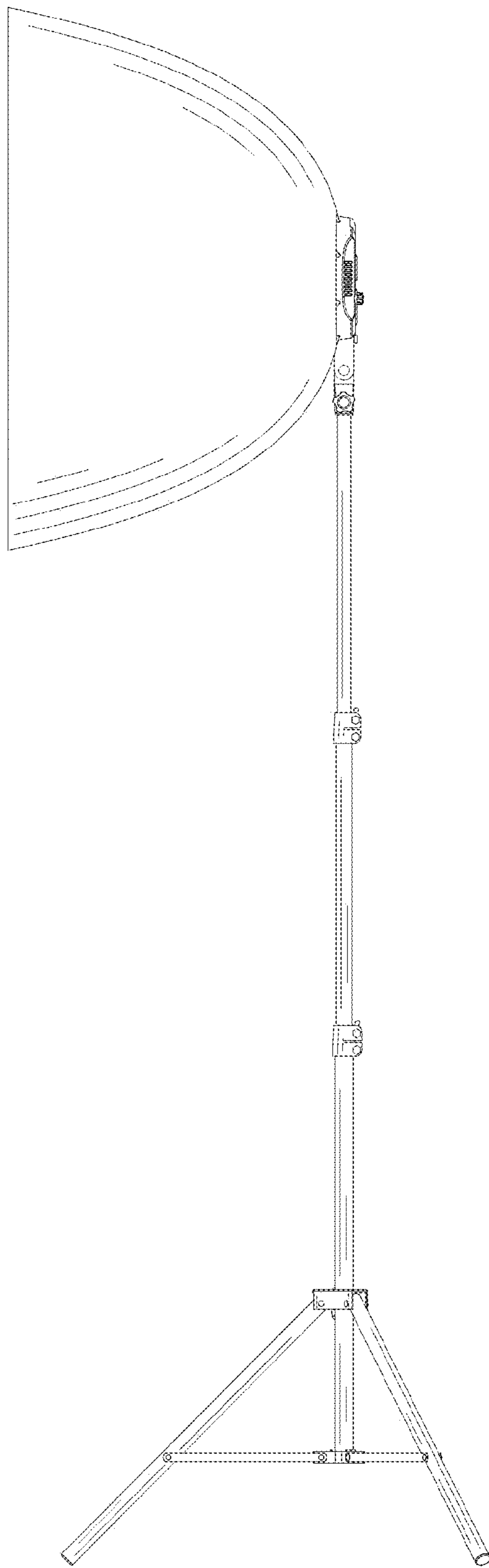


FIG. 6

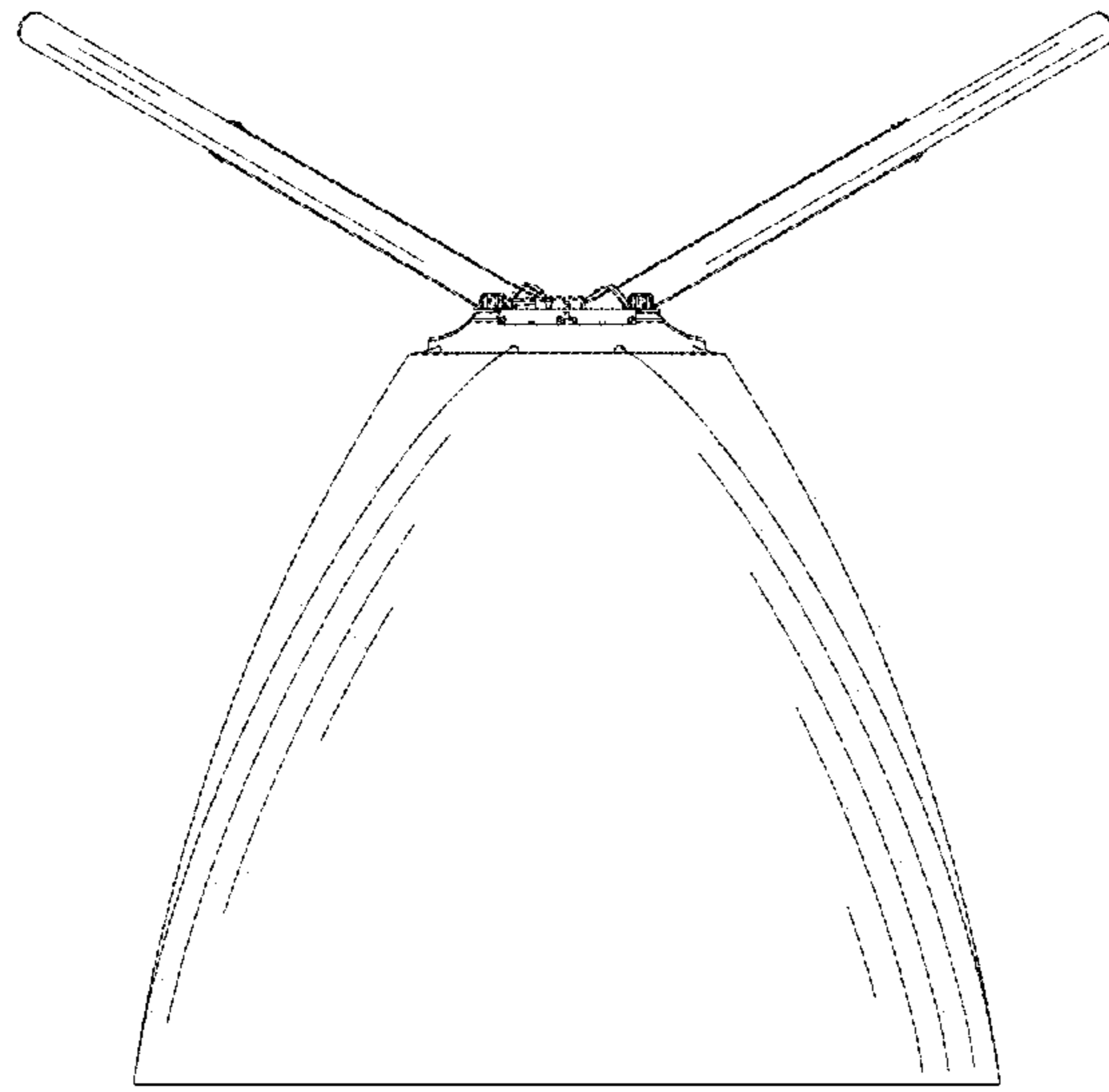


FIG. 7

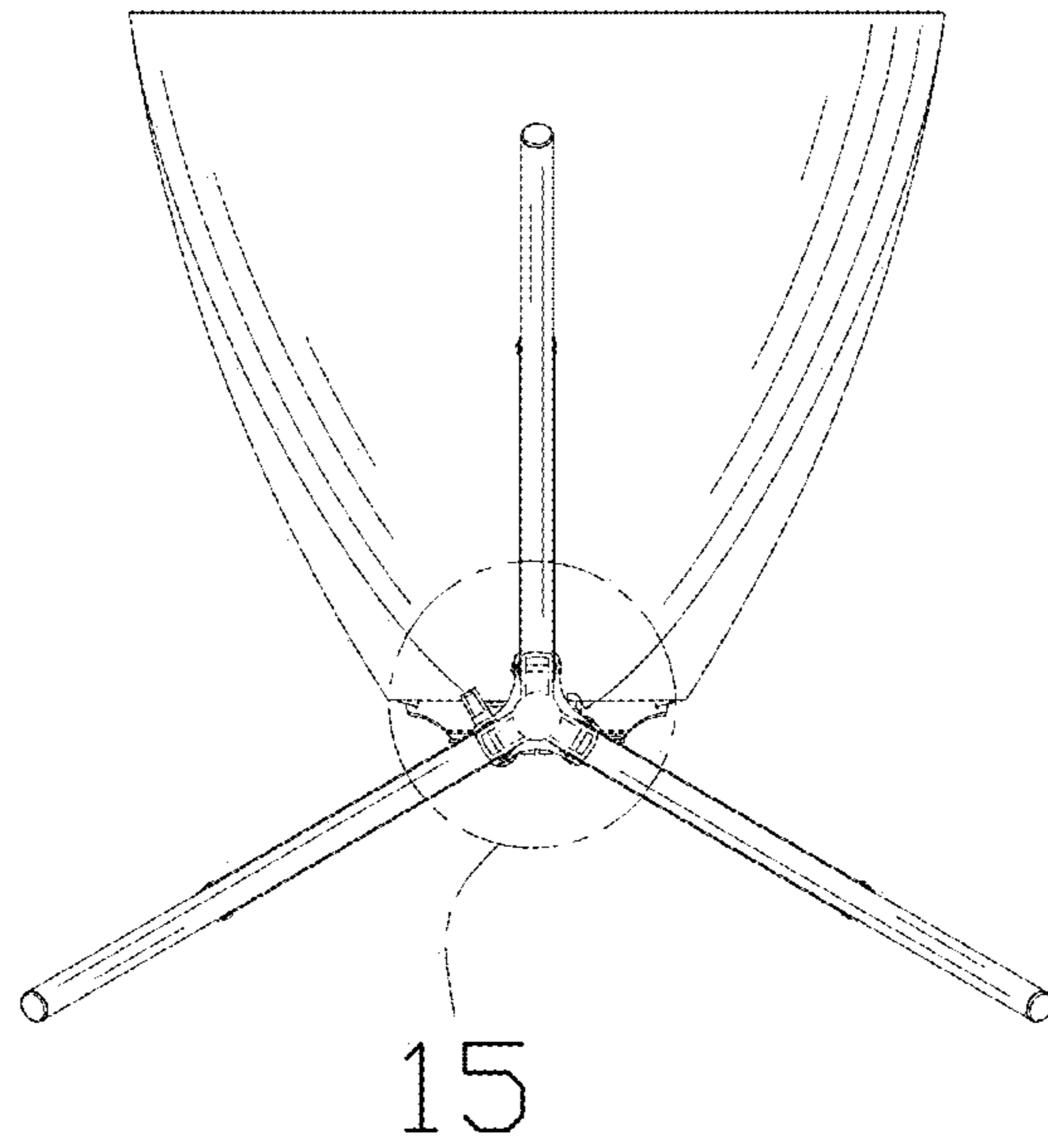


FIG. 8

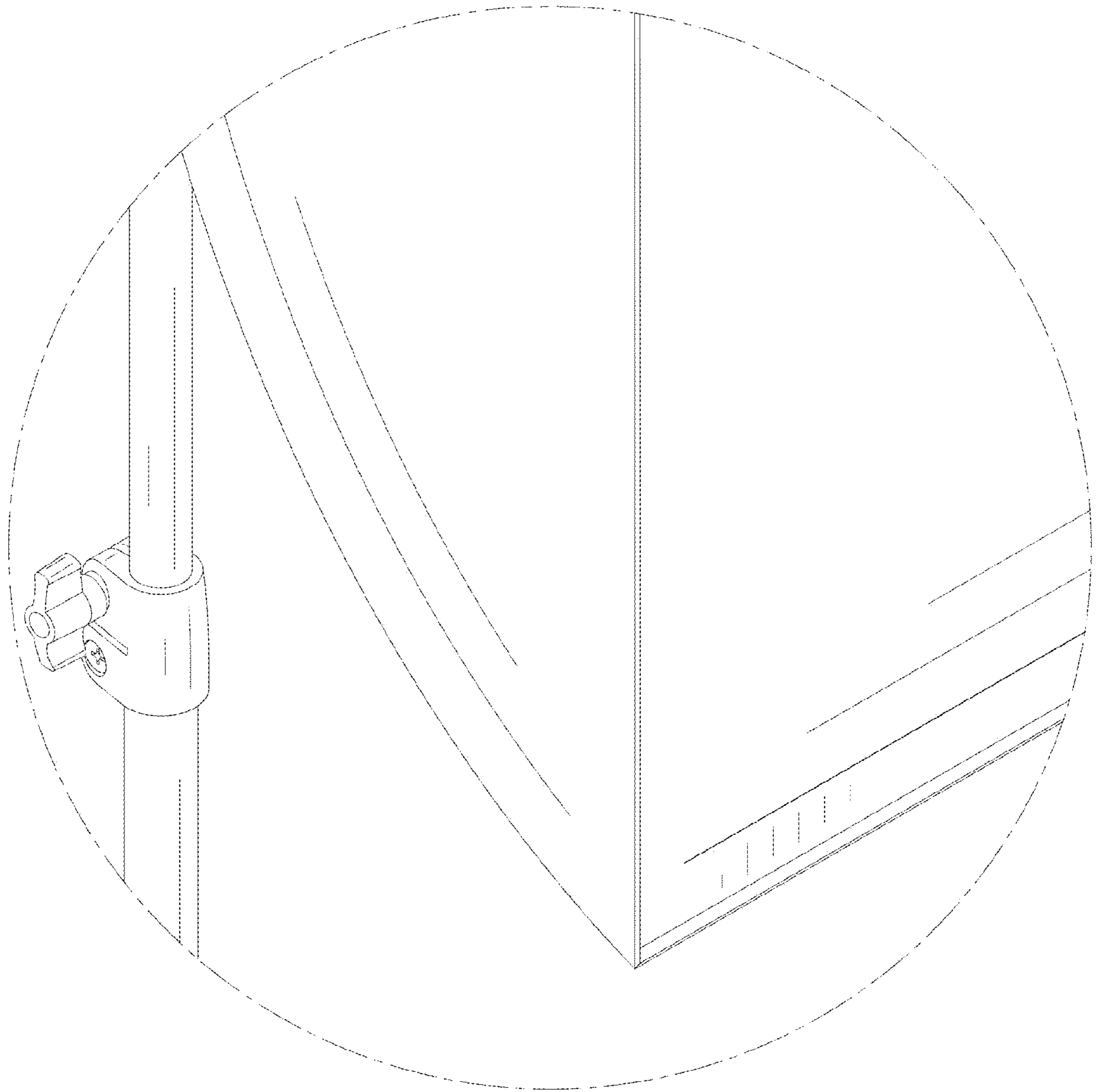


FIG. 9

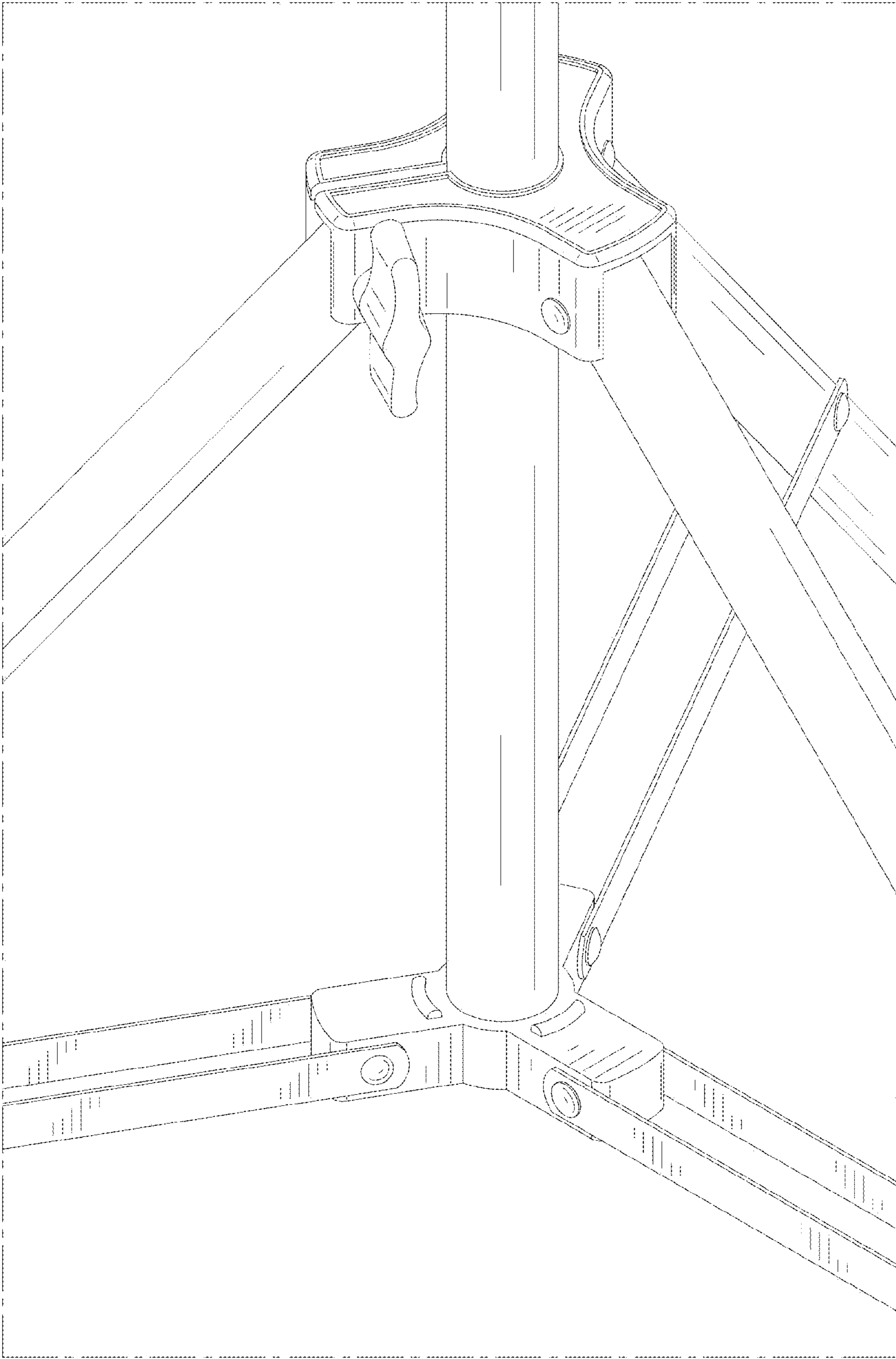


FIG. 10

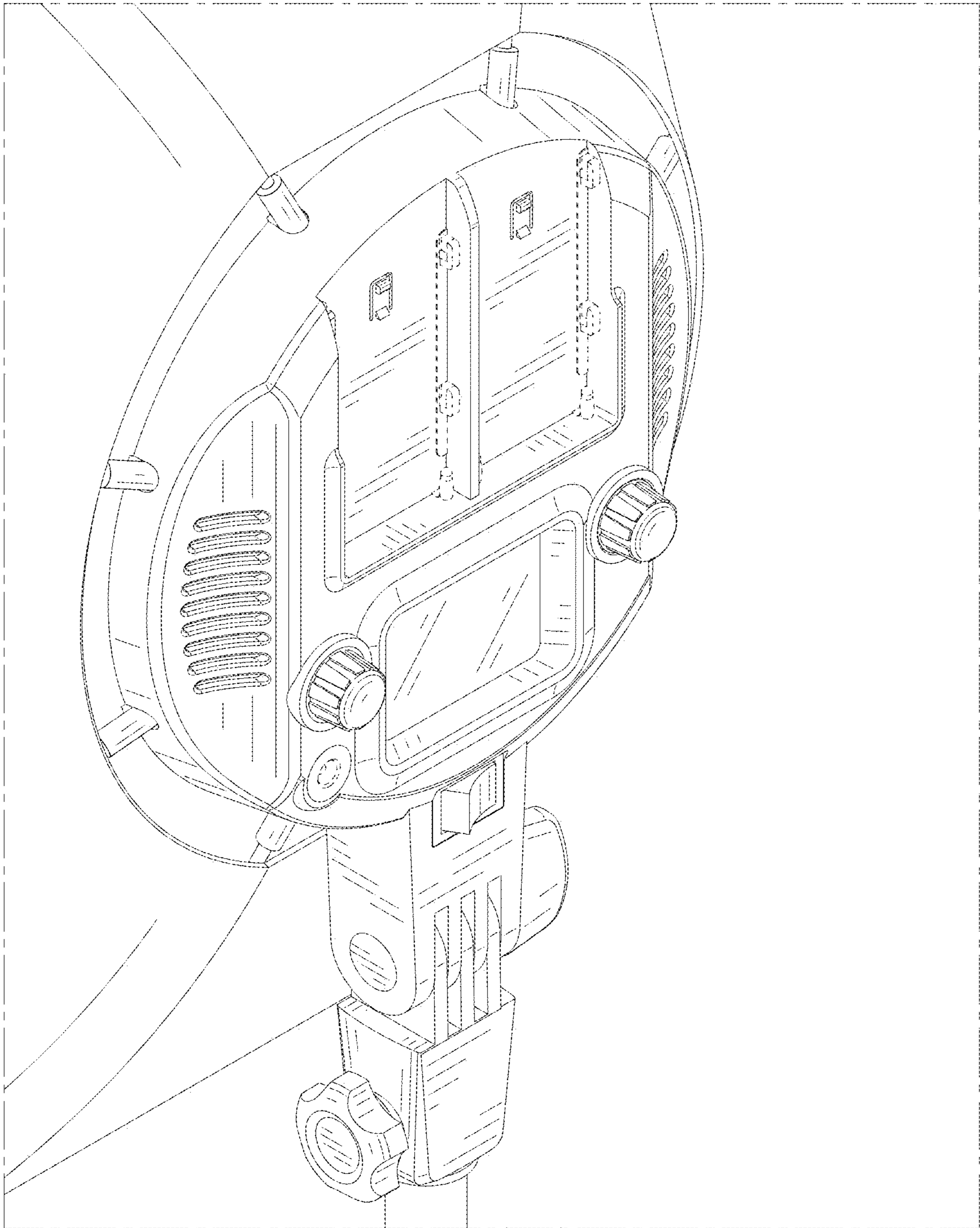


FIG. 11

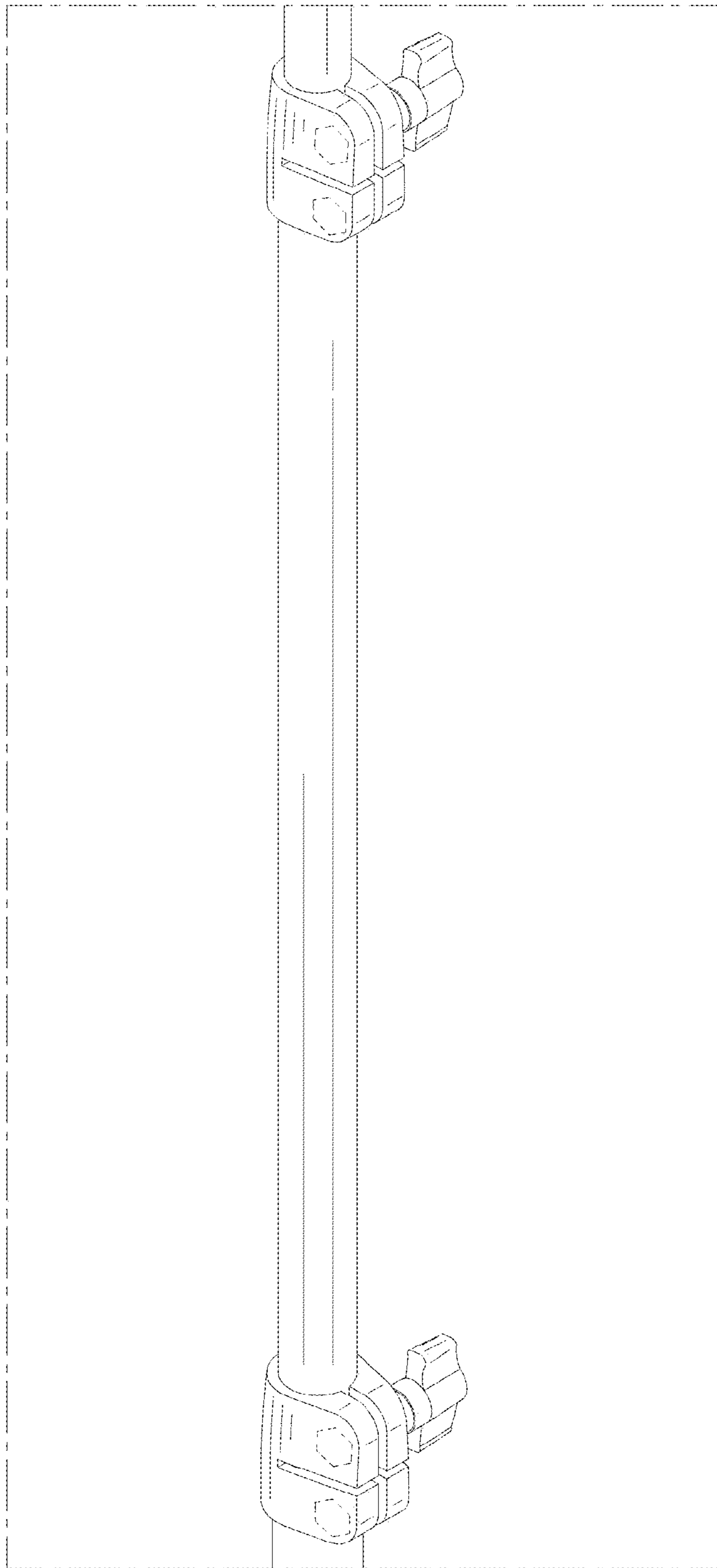


FIG. 12

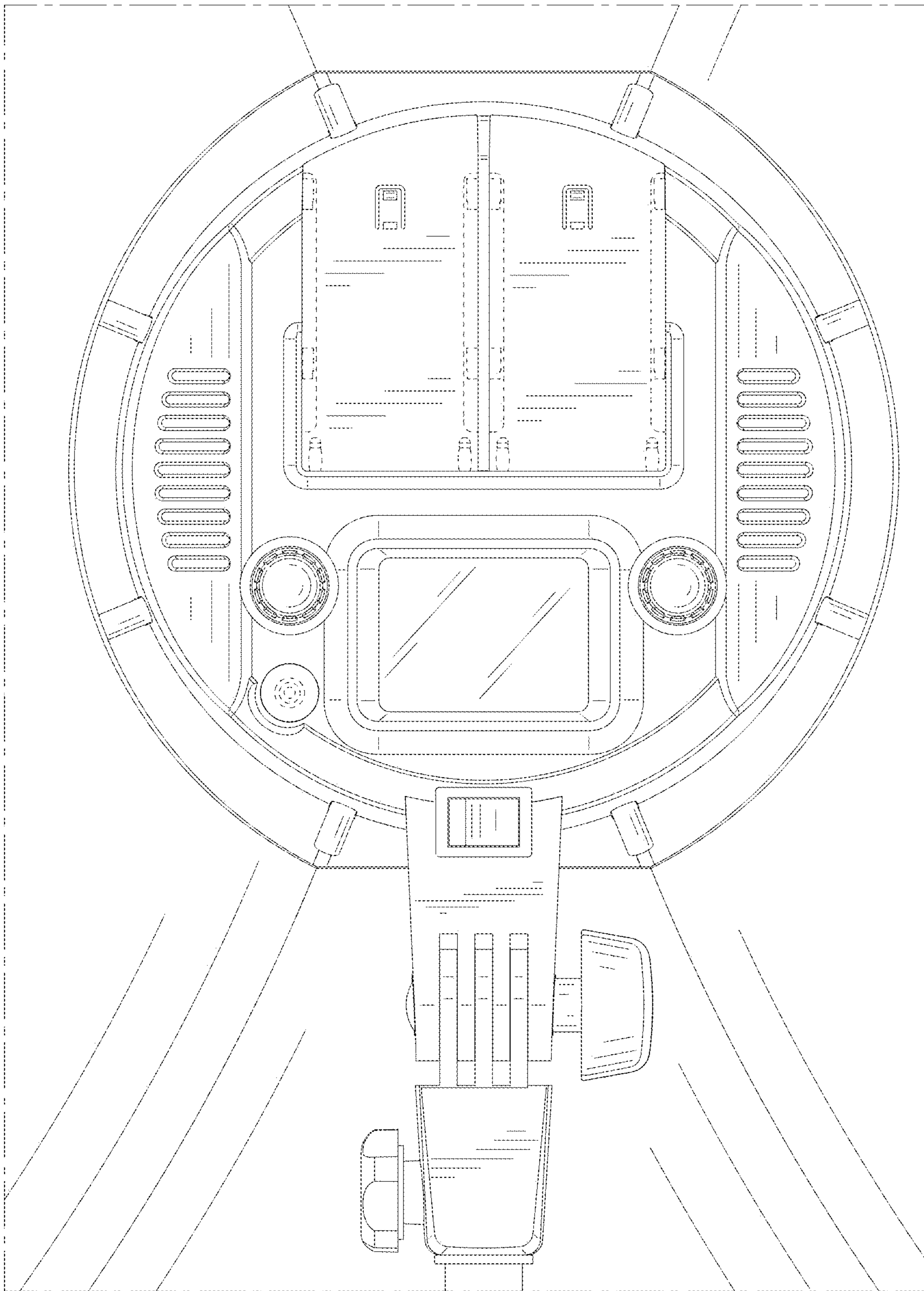


FIG. 13

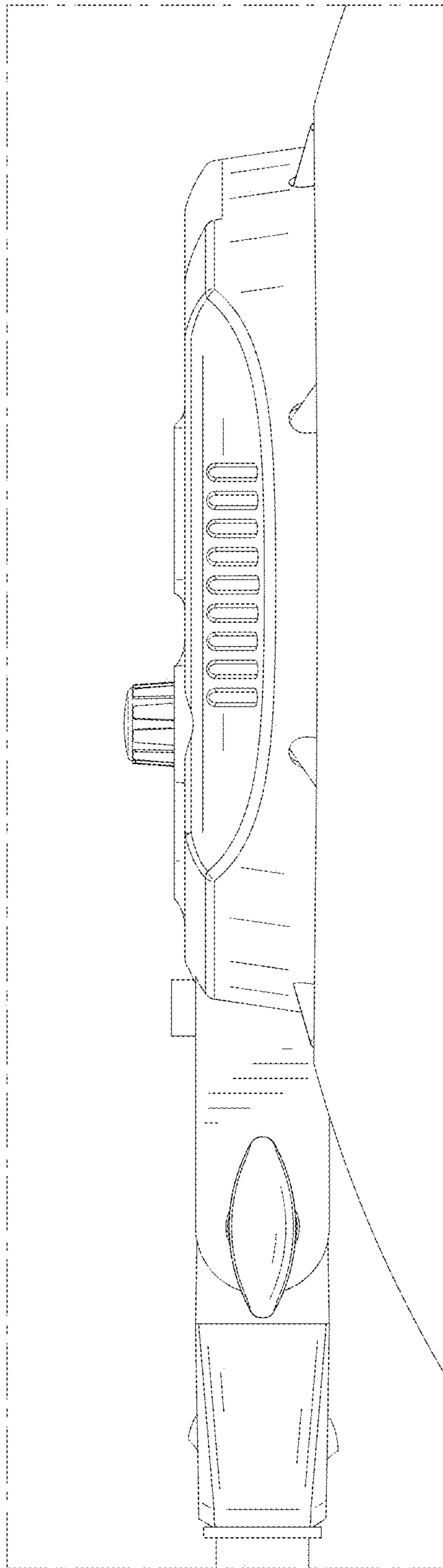


FIG. 14

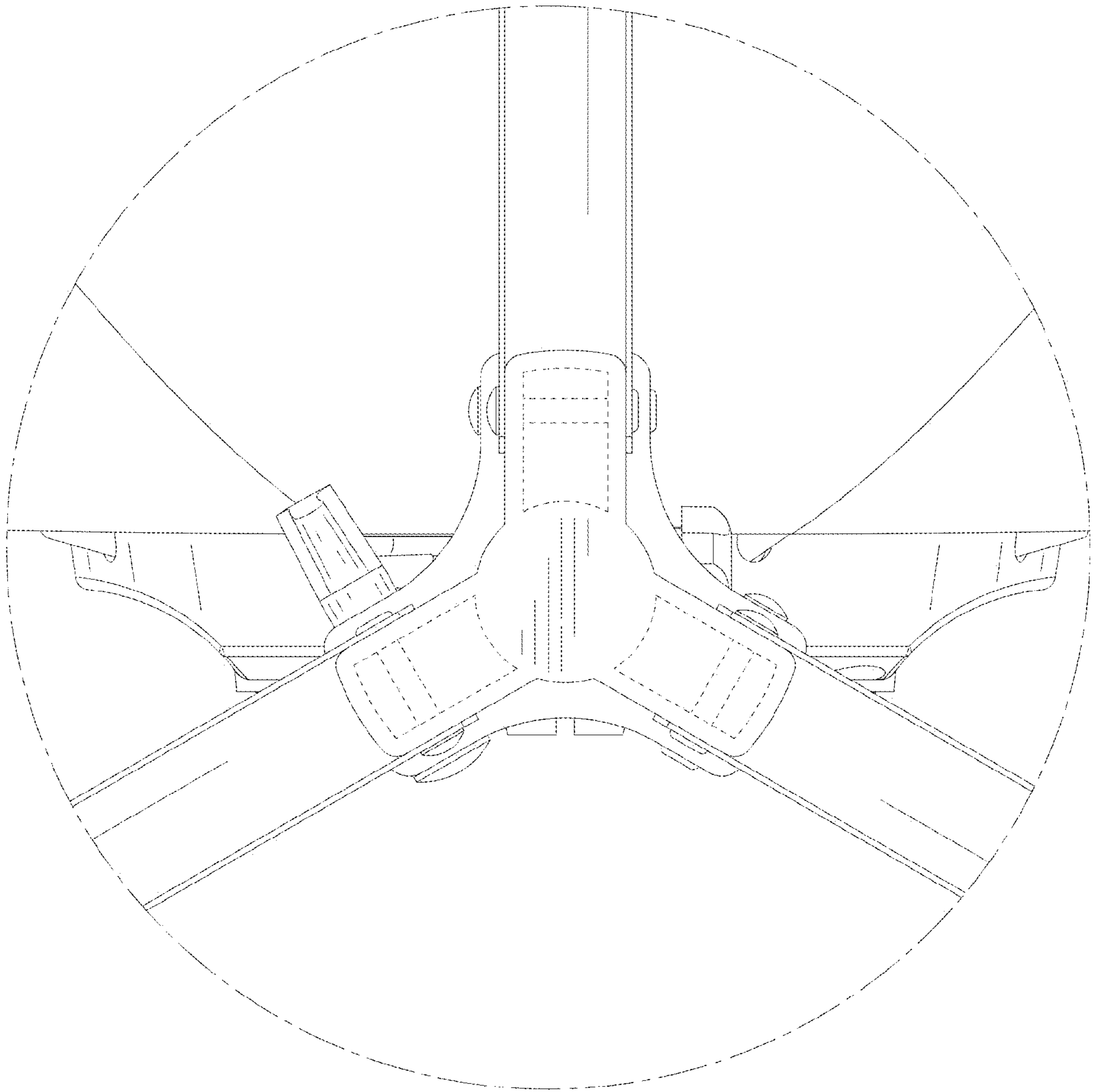


FIG. 15

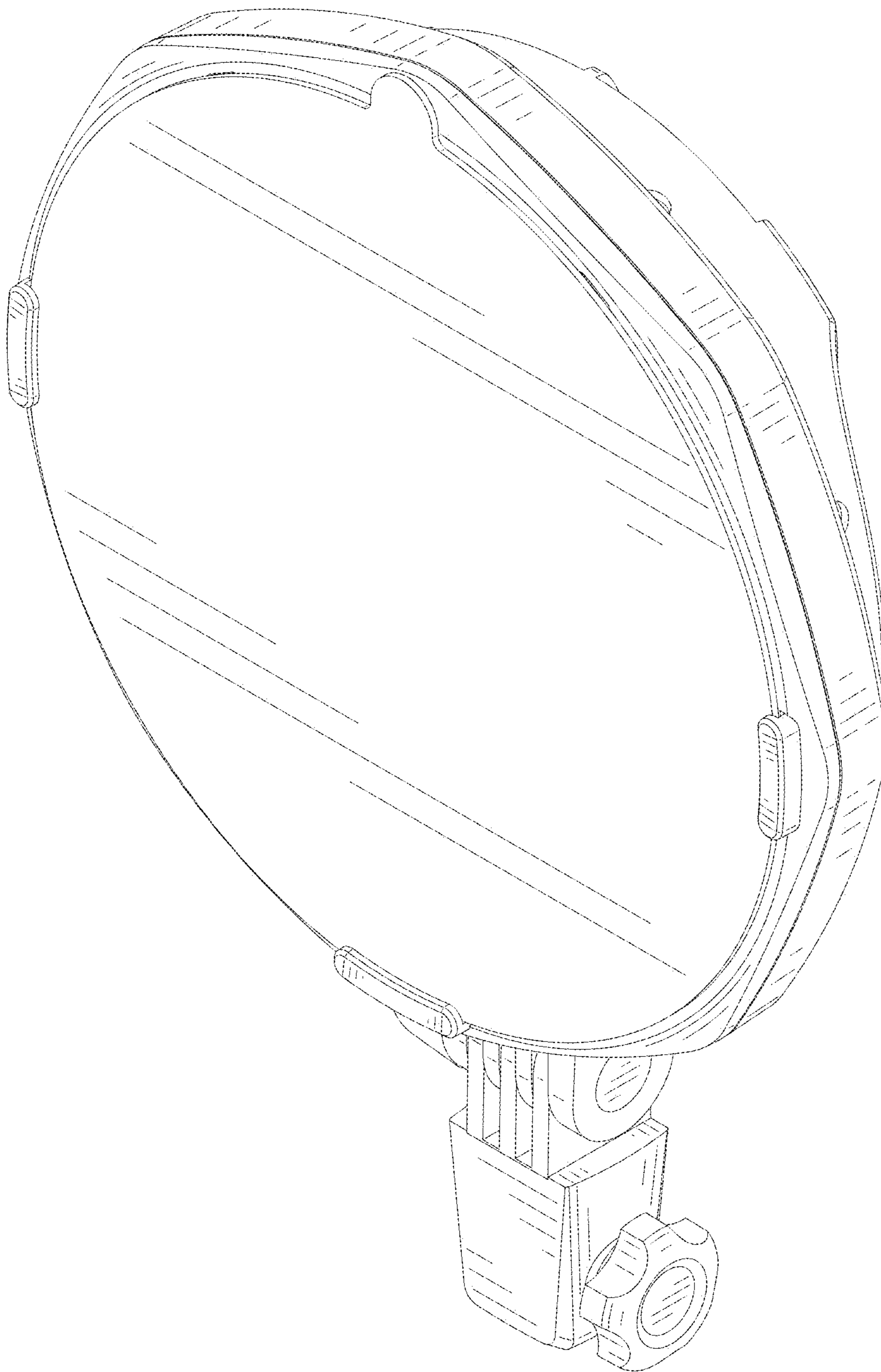


FIG. 16

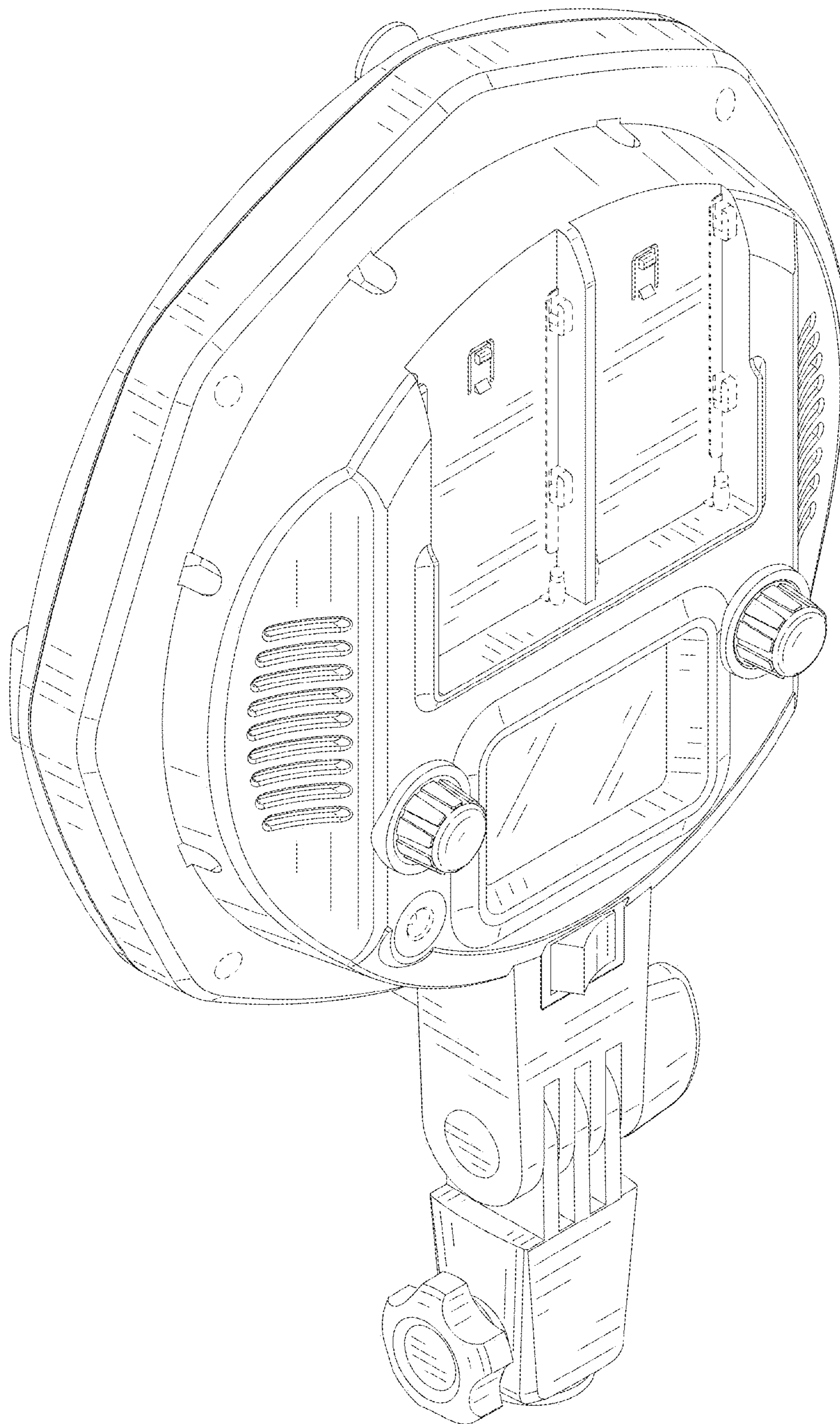


FIG. 17

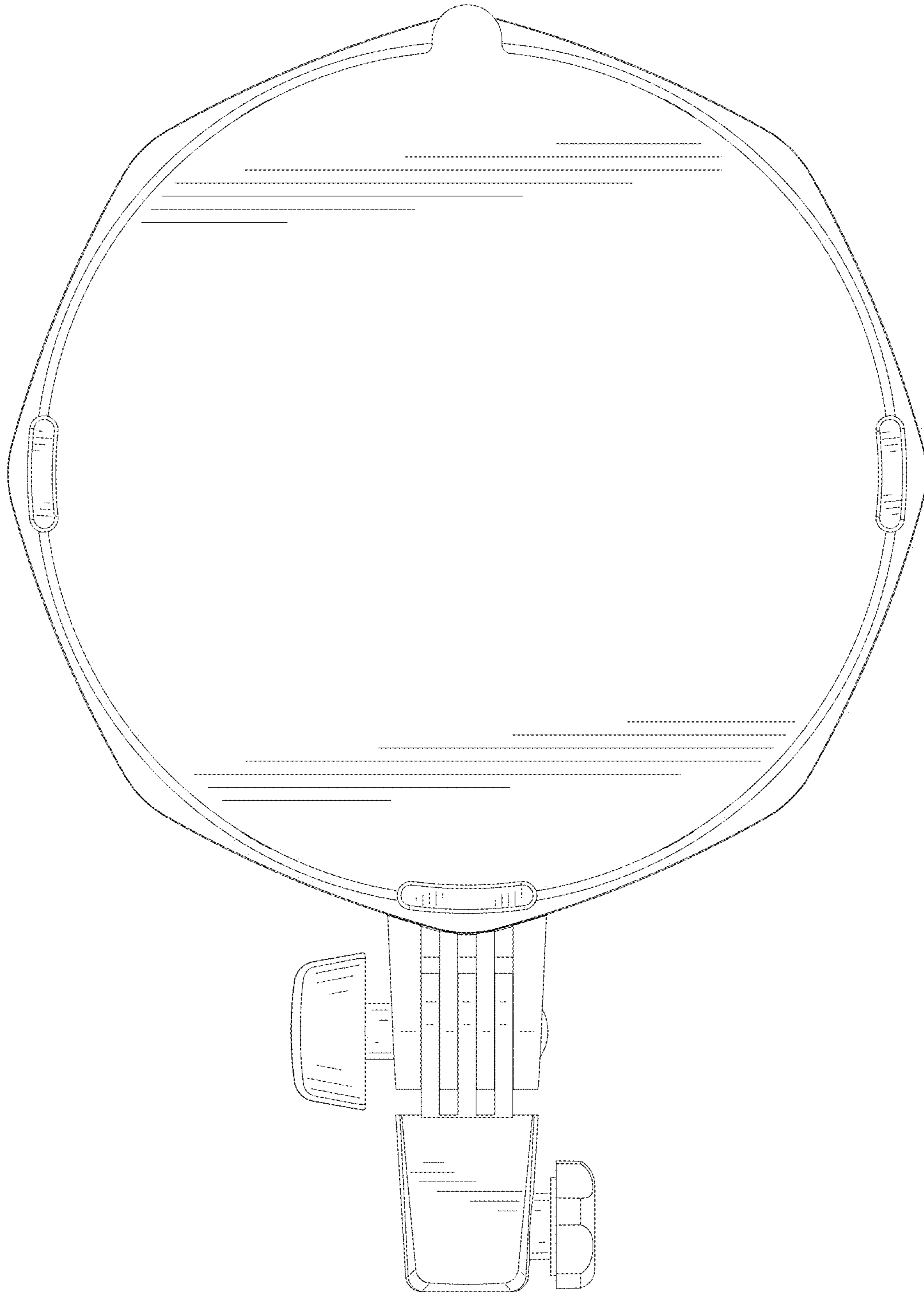


FIG. 18

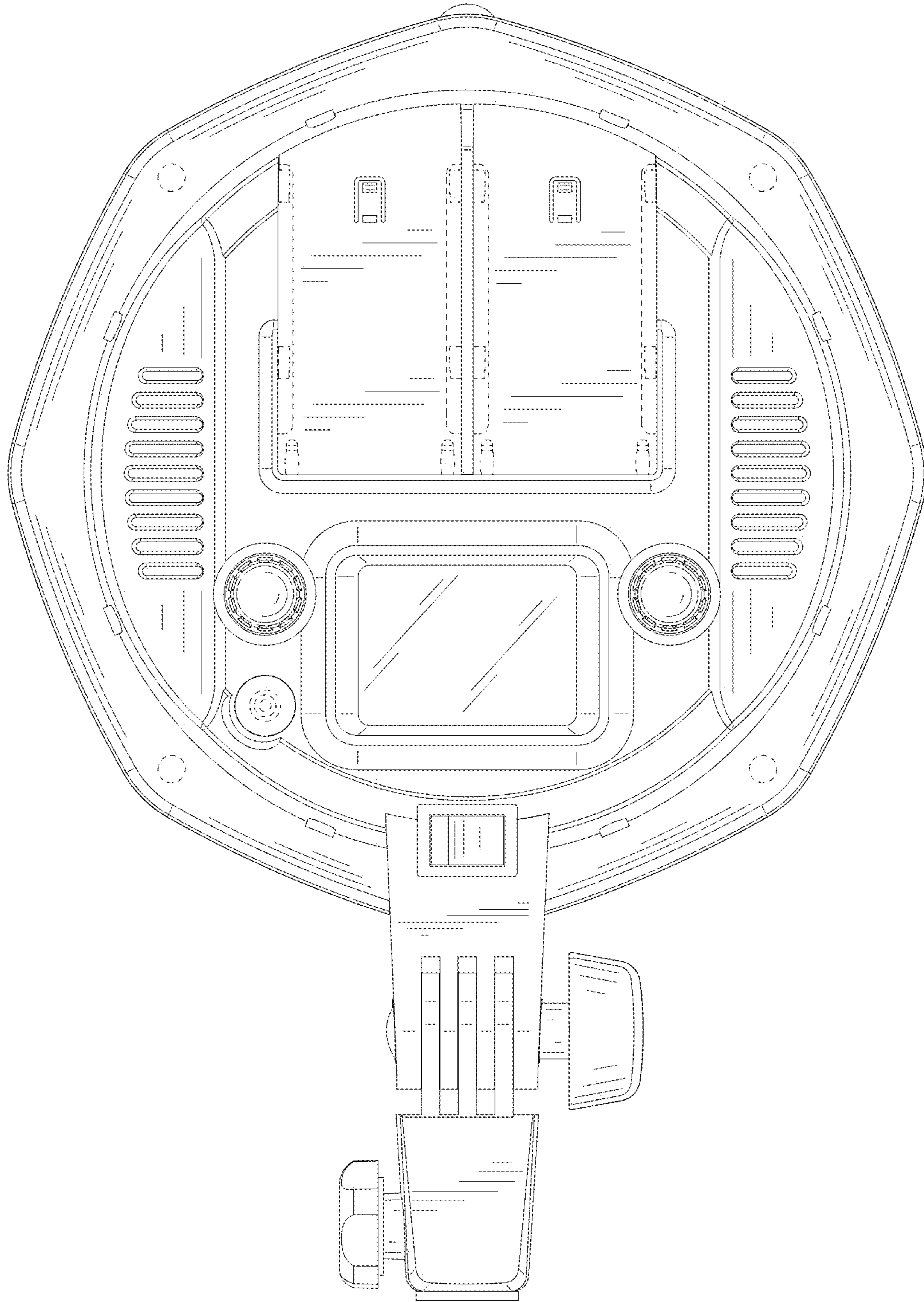


FIG. 19

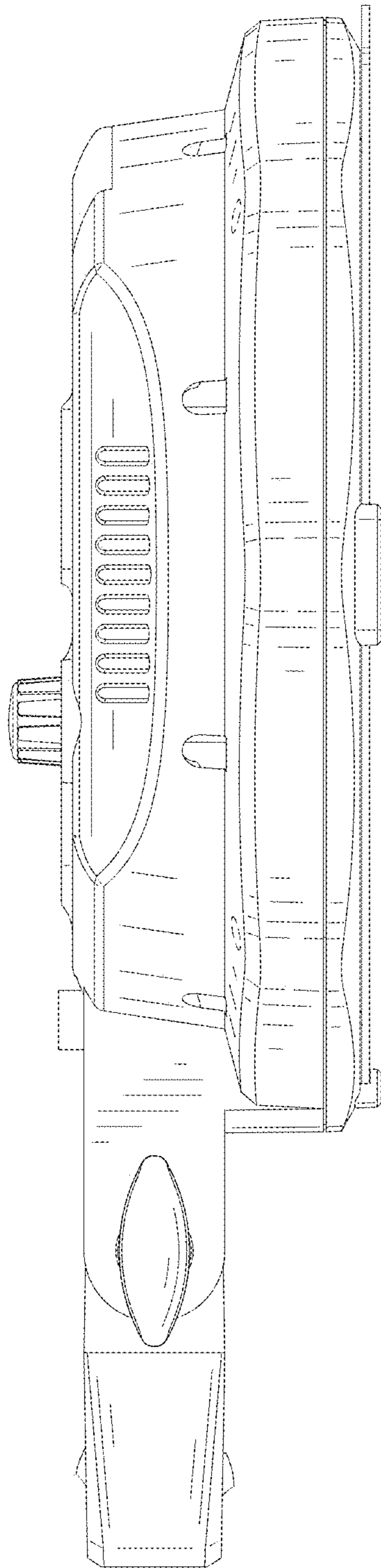


FIG. 20

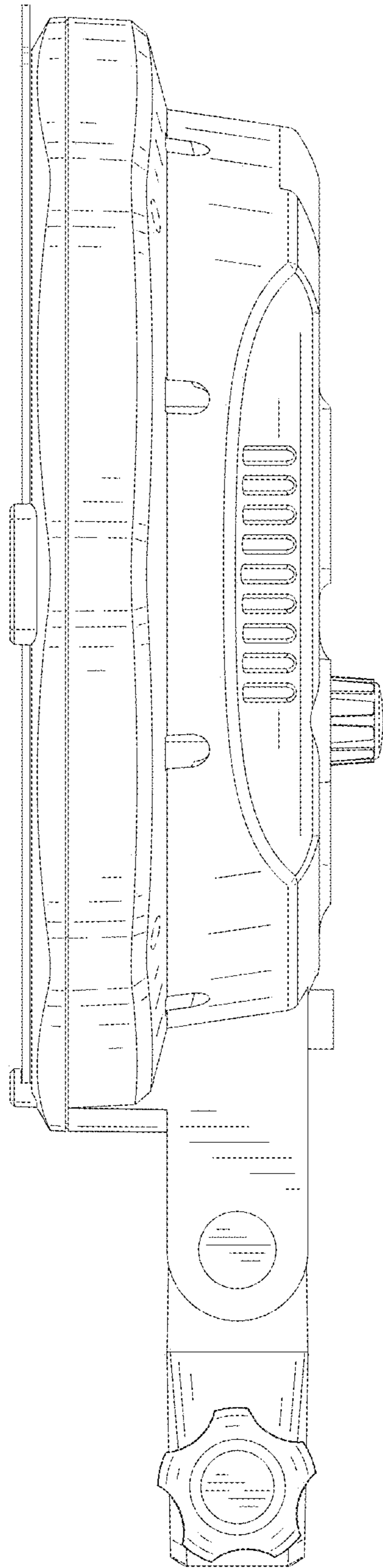


FIG. 21

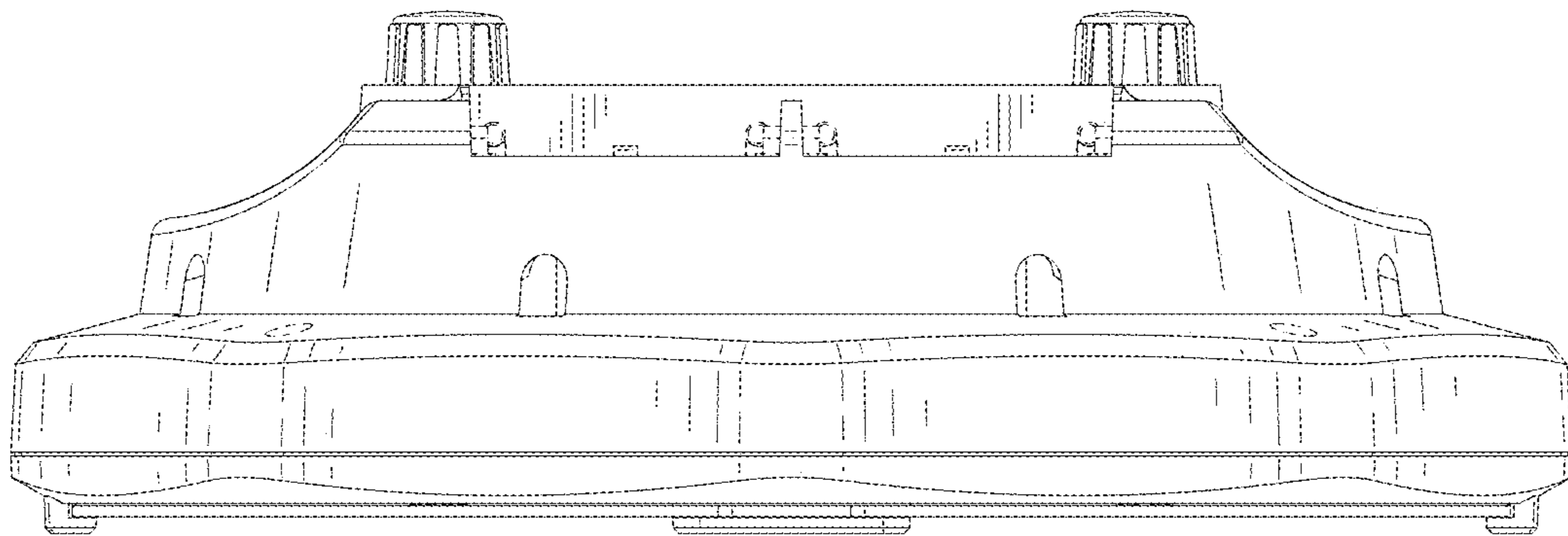


FIG. 22

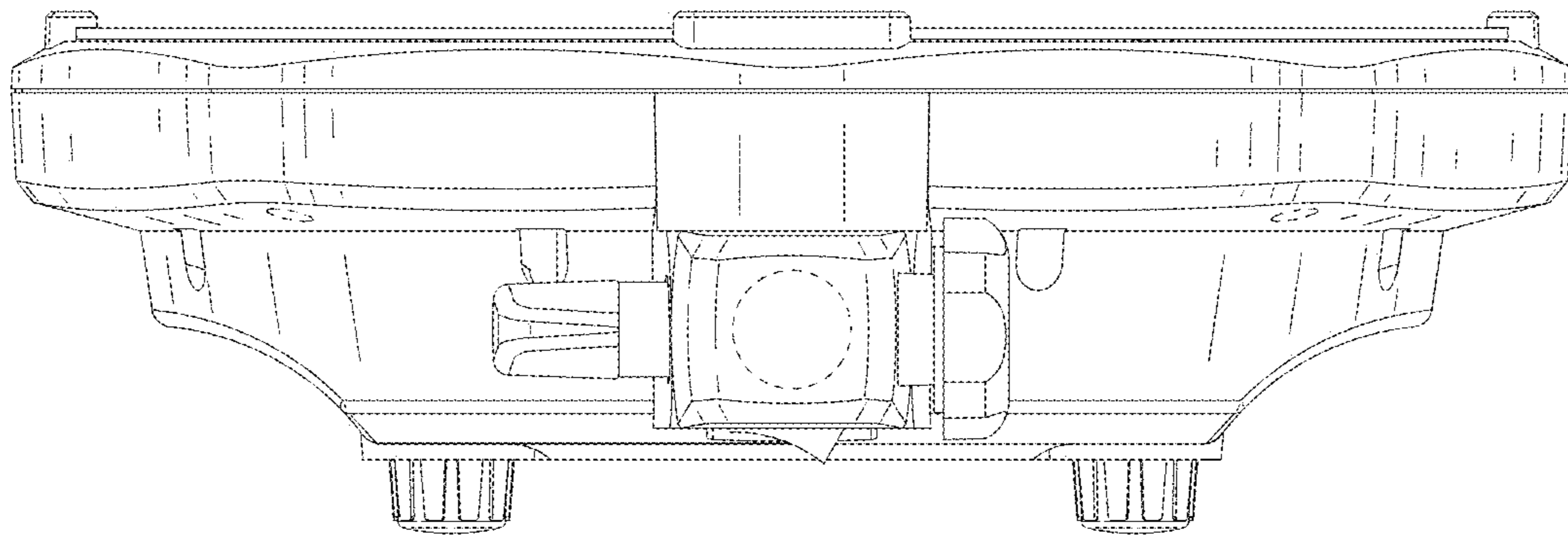


FIG. 23