



US00D963029S

(12) **United States Design Patent**
Lin

(10) **Patent No.:** **US D963,029 S**
(45) **Date of Patent:** **** Sep. 6, 2022**

(54) **PROJECTOR SCREEN WITH STAND**

(71) Applicant: **YUEQING YOUYOU**
E-COMMERCE CO., LTD., Yueqing
(CN)

(72) Inventor: **Dongdong Lin**, Yueqing (CN)

(73) Assignee: **YUEQING YOUYOU**
E-COMMERCE CO., LTD., Yueqing
(CN)

(**) Term: **15 Years**

(21) Appl. No.: **29/801,127**

(22) Filed: **Jul. 27, 2021**

(51) **LOC (13) Cl.** **16-05**

(52) **U.S. Cl.**
USPC **D16/241**

(58) **Field of Classification Search**
USPC D16/228–229, 237, 241, 244–245;
D20/10, 39, 41; D14/128, 374–376;
D19/114; D6/332

(Continued)

(56) **References Cited**

U.S. PATENT DOCUMENTS

9,051,751 B2 * 6/2015 Ogilvie E04H 15/005
D828,057 S * 9/2018 Yaguchi D6/681

(Continued)

OTHER PUBLICATIONS

Best Projector Screen Stands 2022. [online] Published on Aug. 30, 2021. Retrieved May 19, 2022 from URL: <https://awesometoplist.com/best-projector-screen-stands/> (Year: 2021).*

(Continued)

Primary Examiner — Vy N Koenig

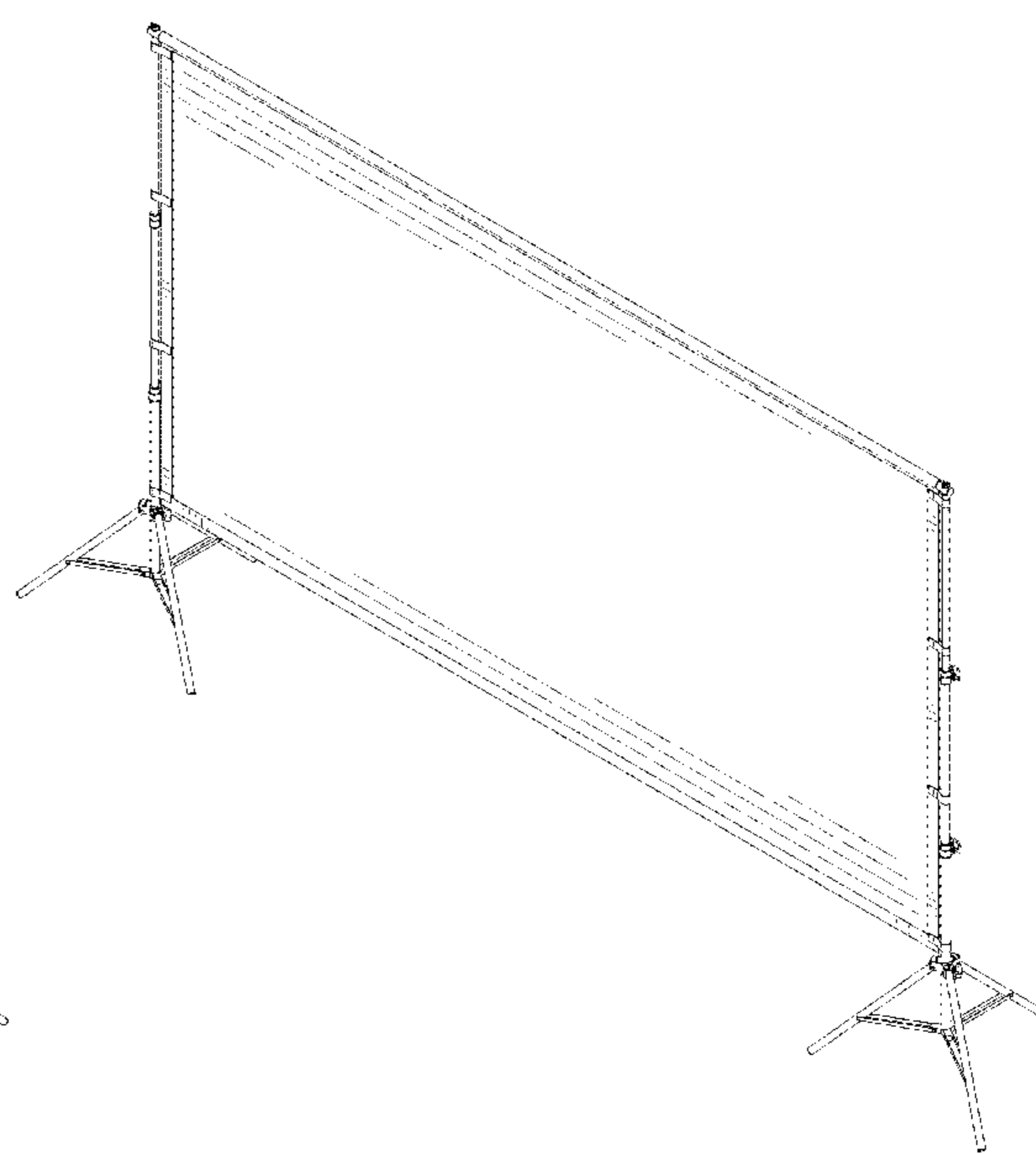
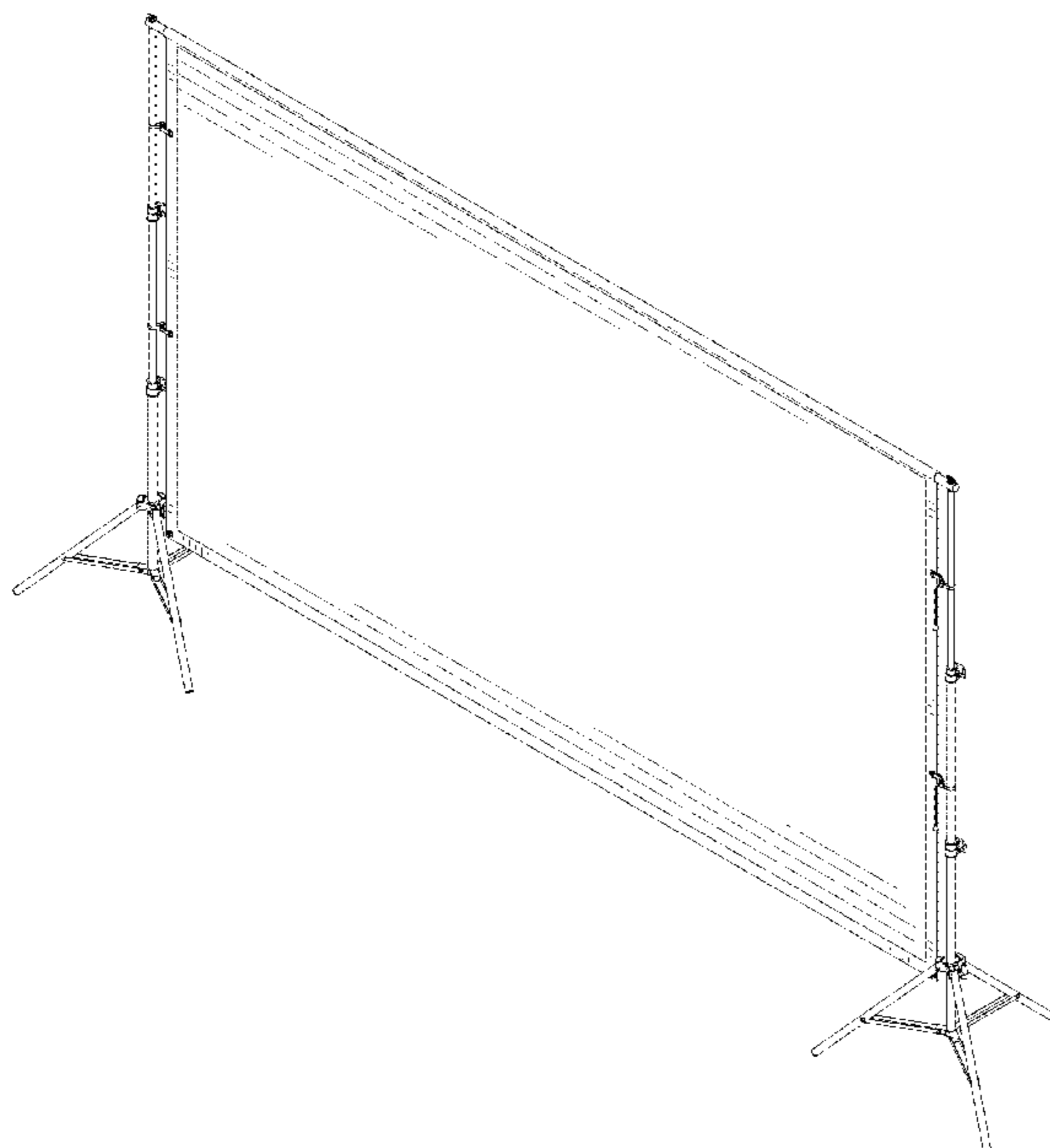
(57) **CLAIM**

The ornamental design for a projector screen with stand, as shown and described.

DESCRIPTION

FIG. 1 is a perspective view of a first embodiment of a projector screen with stand showing my new design; FIG. 2 is another perspective view thereof; FIG. 3 is a front elevational view thereof; FIG. 4 is a rear elevational view thereof; FIG. 5 is a left side elevational view thereof; FIG. 6 is a right side elevational view thereof; FIG. 7 is a top plan view thereof; FIG. 8 is a bottom plan view thereof; FIG. 9 is an enlarged view of portion 9 shown in FIG. 1; FIG. 10 is an enlarged view of portion 10 shown in FIG. 1; FIG. 11 is an enlarged view of portion 11 shown in FIG. 1; FIG. 12 is an enlarged view of portion 12 shown in FIG. 8; FIG. 13 is a perspective view of a second embodiment of the projector screen with stand showing my new design; FIG. 14 is another perspective view thereof; FIG. 15 is a front elevational view thereof; FIG. 16 is a rear elevational view thereof; FIG. 17 is a left side elevational view thereof; FIG. 18 is a right side elevational view thereof; FIG. 19 is a top plan view thereof; FIG. 20 is a bottom plan view thereof; FIG. 21 is an enlarged view of portion 21 shown in FIG. 13; FIG. 22 is an enlarged view of portion 22 shown in FIG. 13; and, FIG. 23 is an enlarged view of portion 23 shown in FIG. 20. The dash-dash broken lines in the drawings depict portions of the projector screen with stand that form no part of the claimed design. The dot-dash broken lines represent boundaries of the enlarged portions and form no part of the claimed design.

1 Claim, 23 Drawing Sheets



(58) **Field of Classification Search**

CPC G03B 17/56; G03B 17/561–566
See application file for complete search history.

(56) **References Cited**

U.S. PATENT DOCUMENTS

D875,815	S	2/2020	Fest	
D898,106	S *	10/2020	Zhao	D16/241
D919,693	S *	5/2021	Yang	D16/241
D919,694	S *	5/2021	Zheng	D16/241
D943,018	S *	2/2022	Feng	D16/244
D947,926	S *	4/2022	Tian	D16/244
2005/0200951	A1 *	9/2005	Redmon	G09F 19/18 359/443

OTHER PUBLICATIONS

Slow Dolphin Photo Video Studio. [online] Published on Apr. 23, 2016. Retrieved May 19, 2022 from URL: <https://www.amazon.com/dp/B01EOF3GAW> (Year: 2016).*

Hpusn Adjustable Backdrop Stand Kit . [online] Published on Jun. 16, 2021. Retrieved May 19, 2022 from URL: <https://www.amazon.com/dp/B097BT6NW1> (Year: 2021).*

* cited by examiner

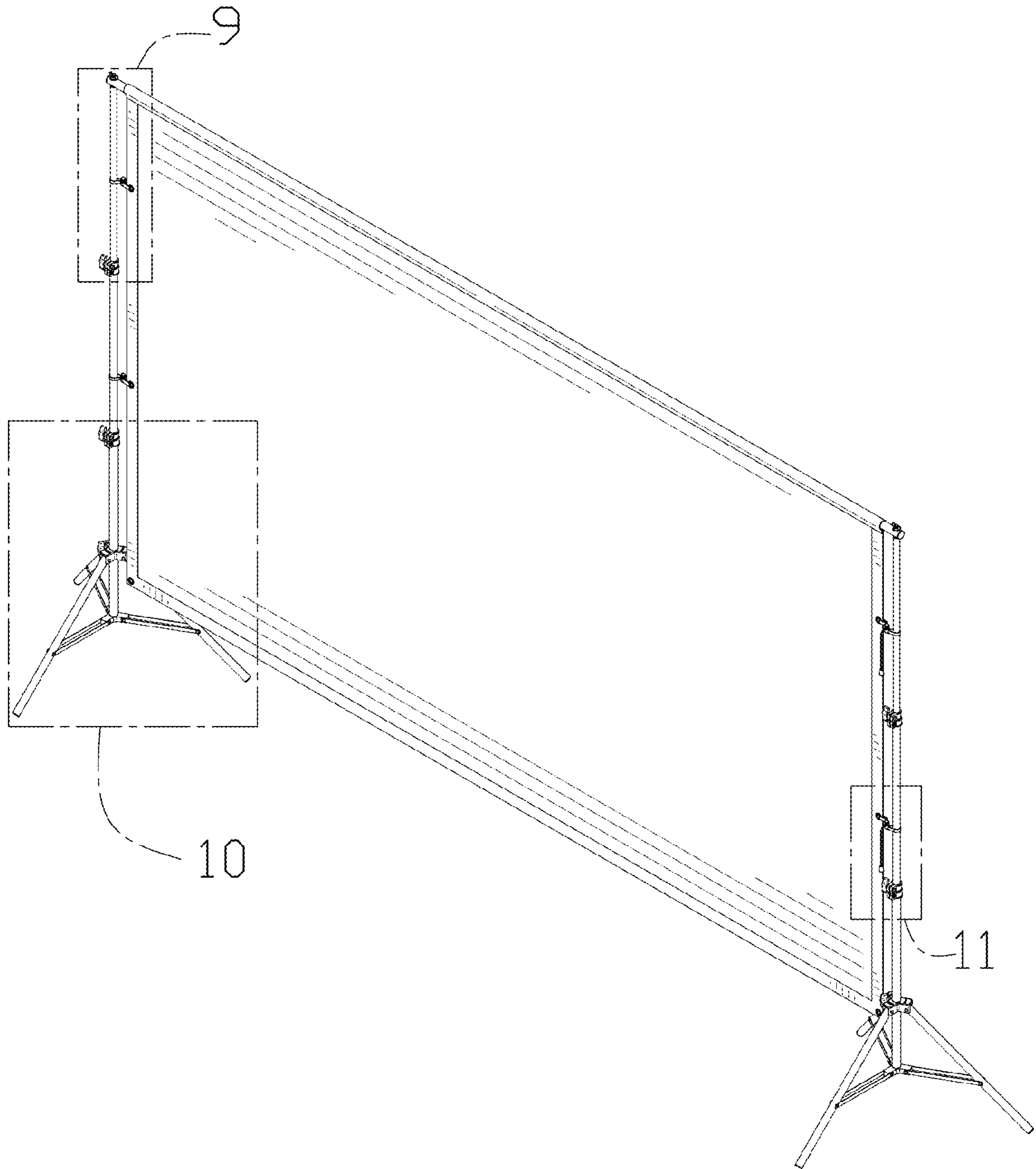


FIG. 1



FIG. 2

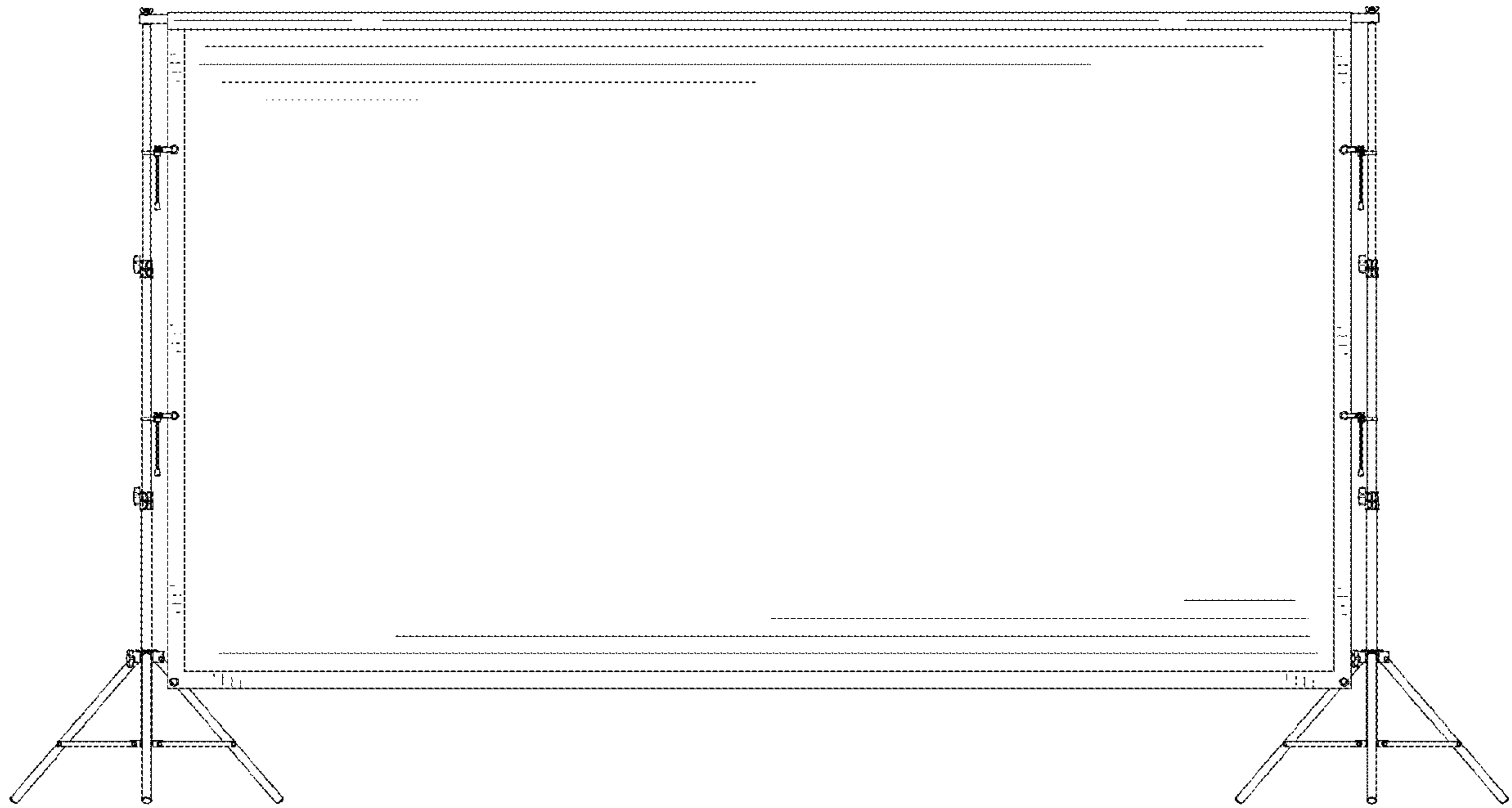


FIG. 3

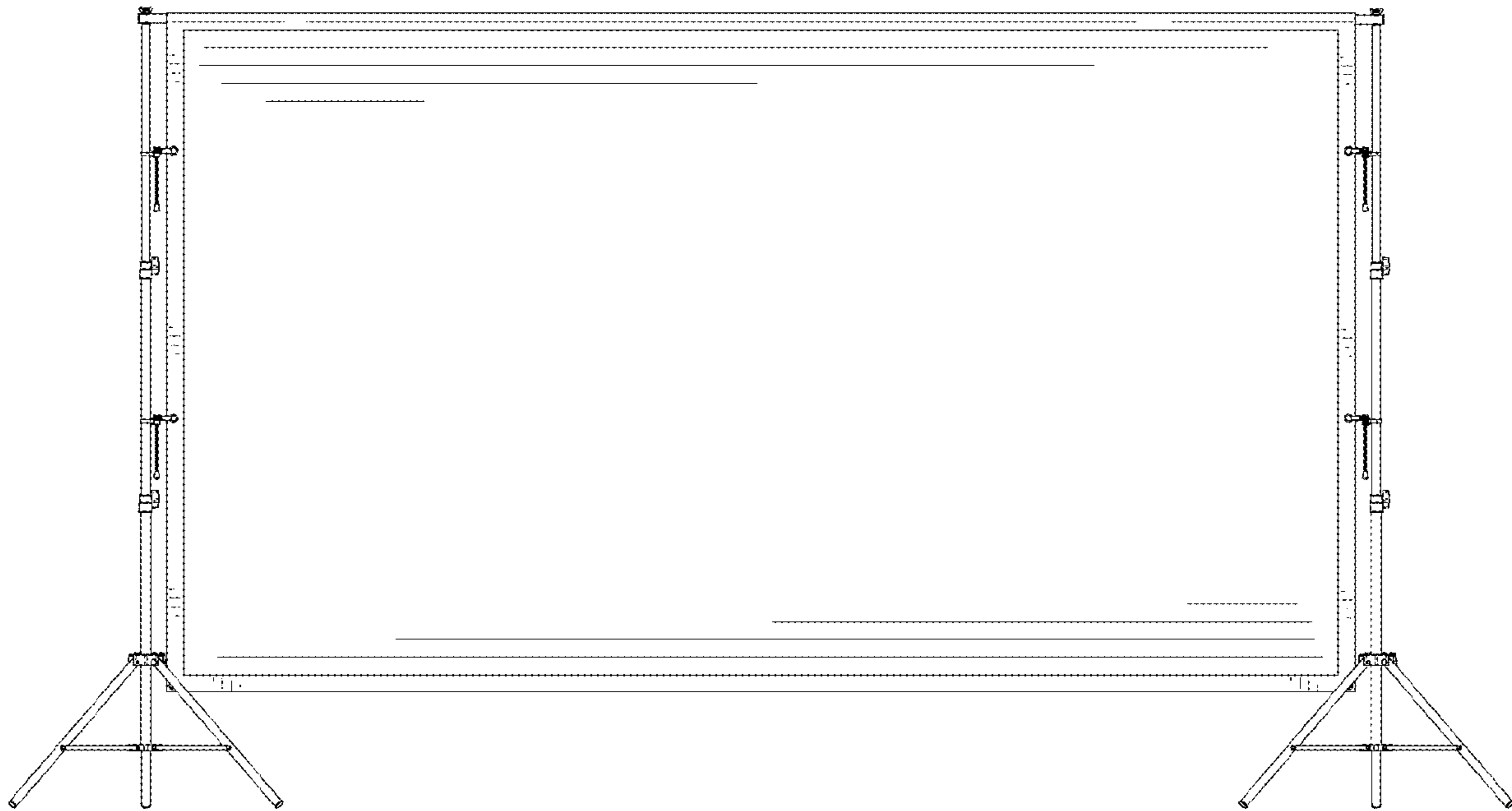


FIG. 4

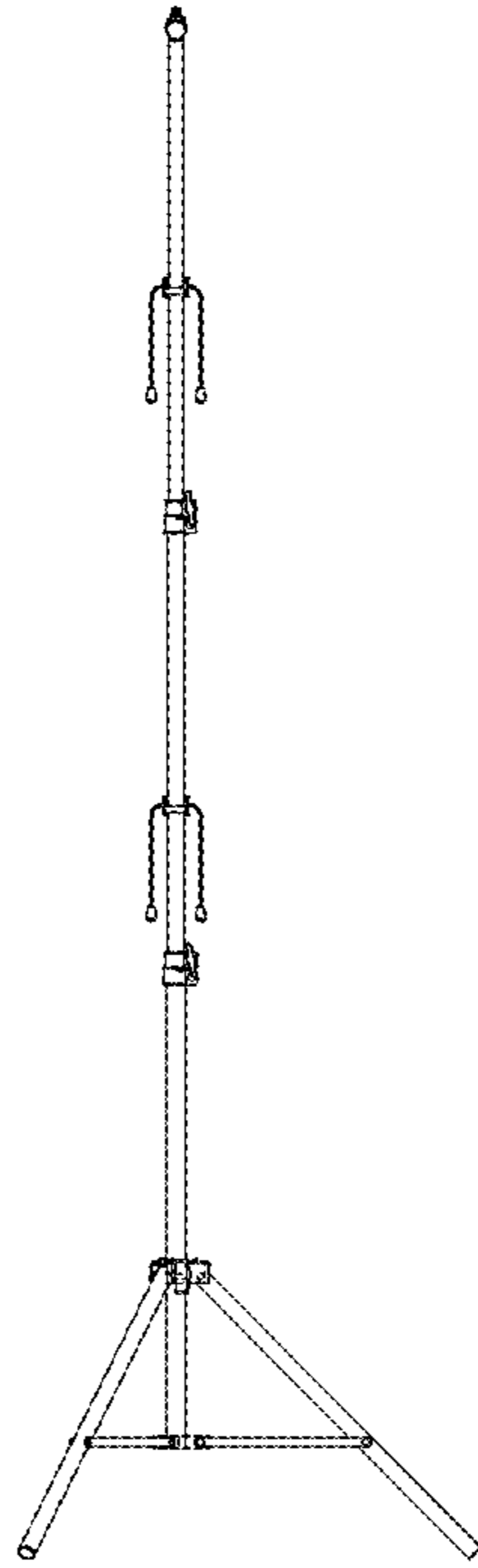


FIG. 5

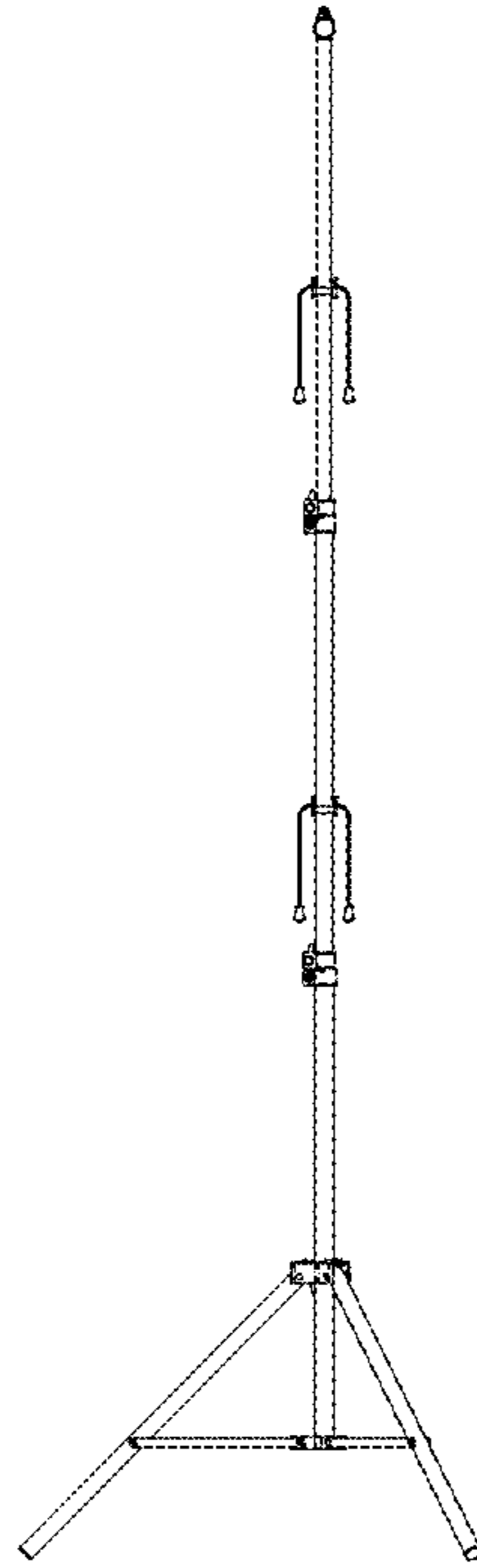


FIG. 6

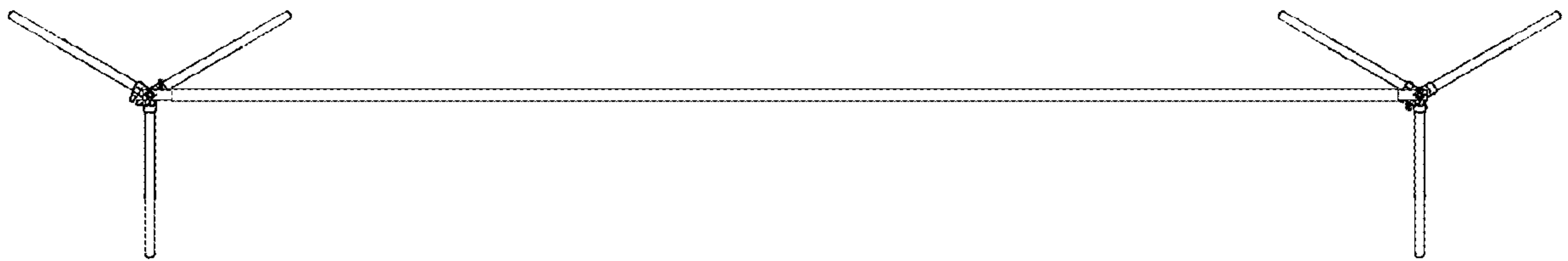


FIG. 7

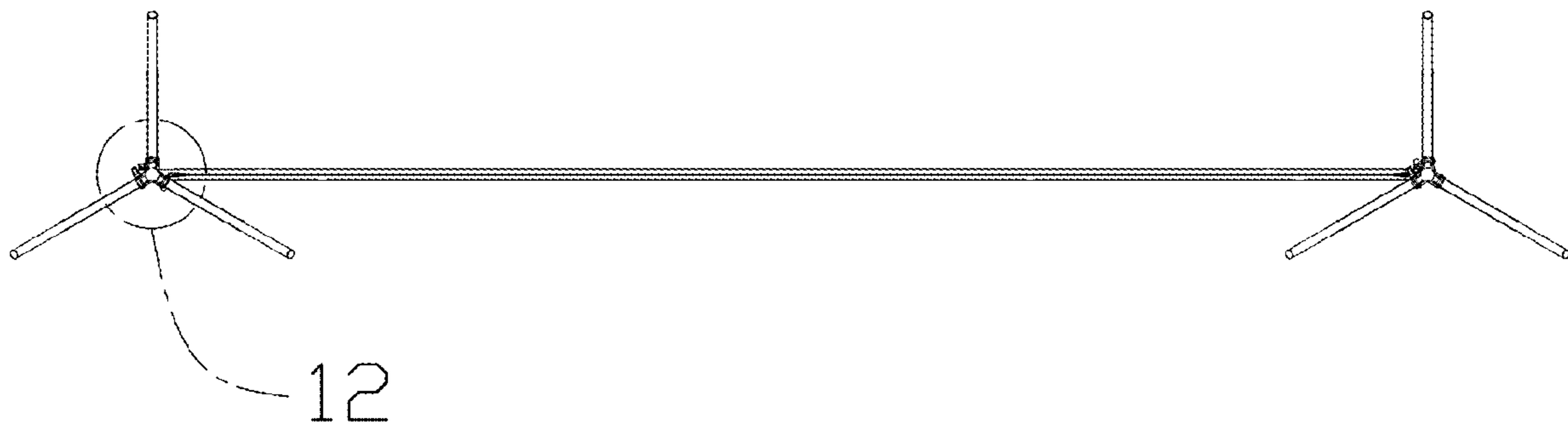


FIG. 8

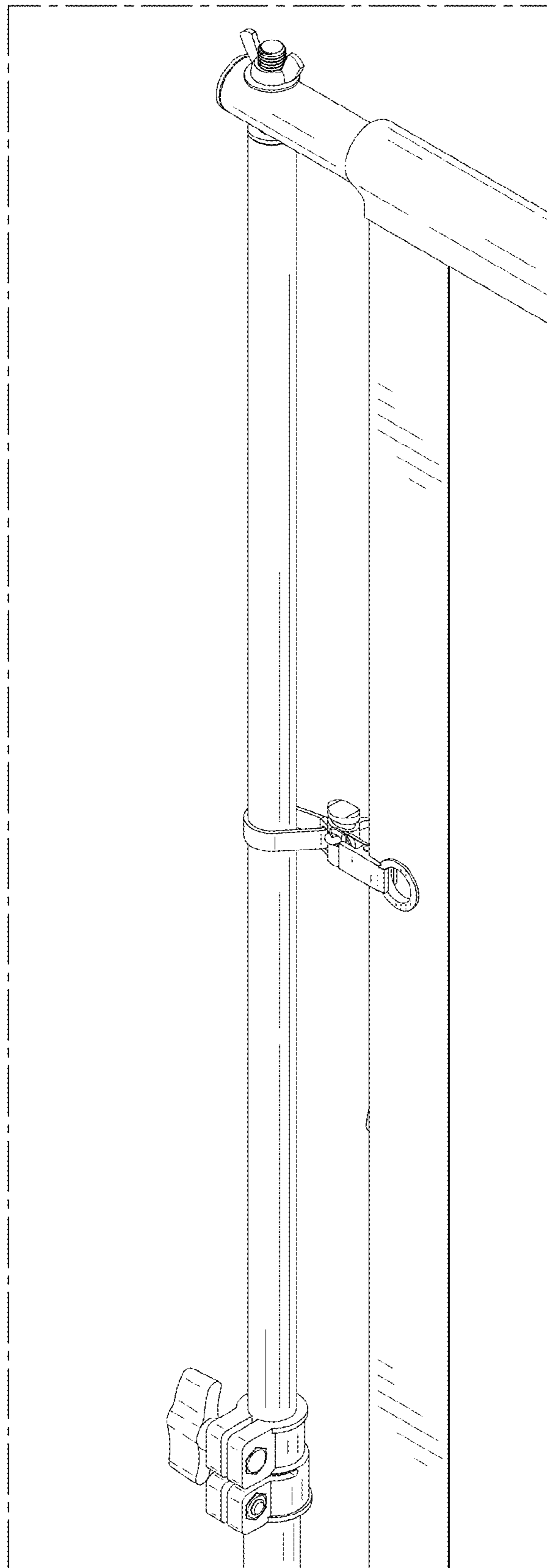


FIG. 9

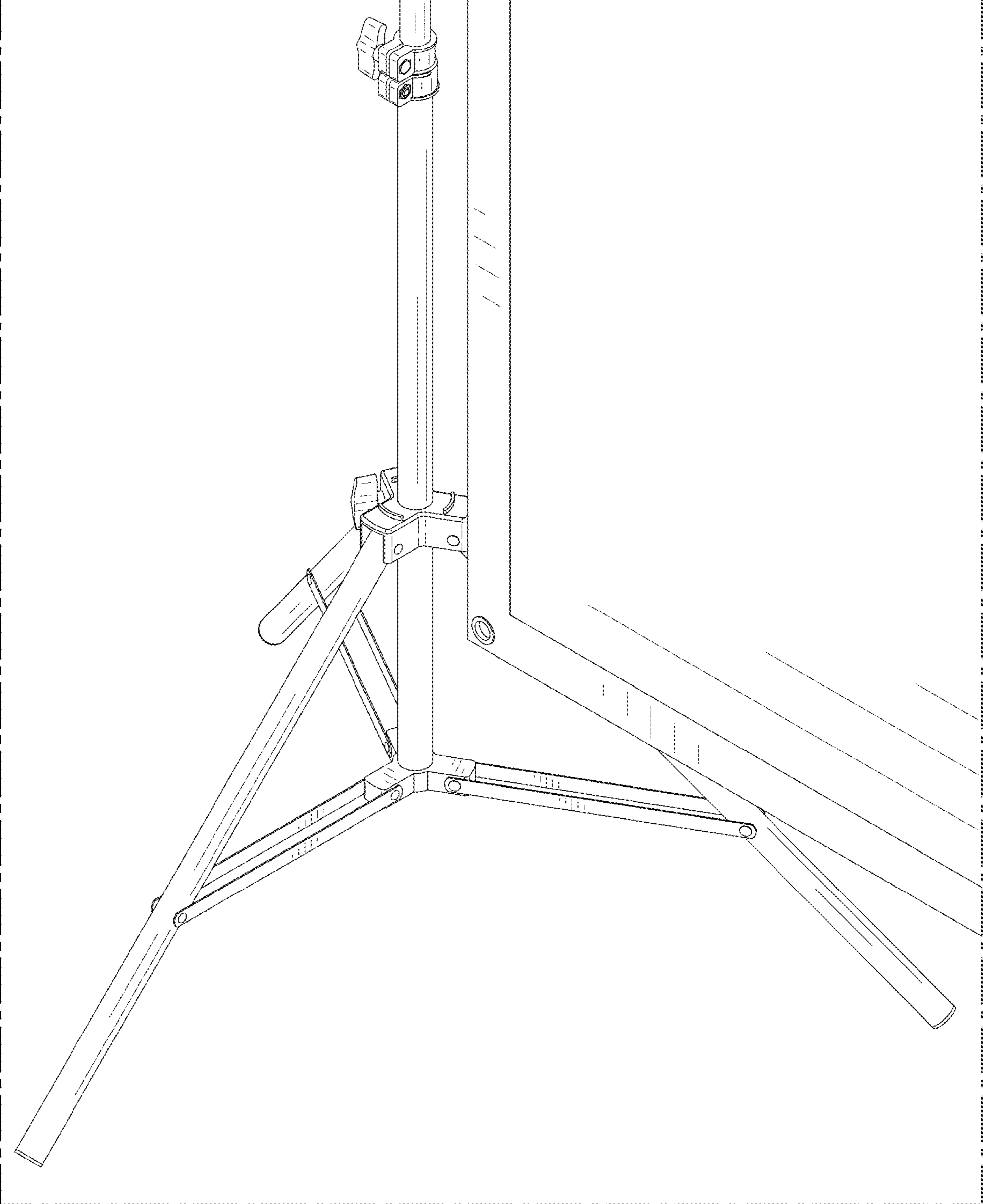


FIG. 10

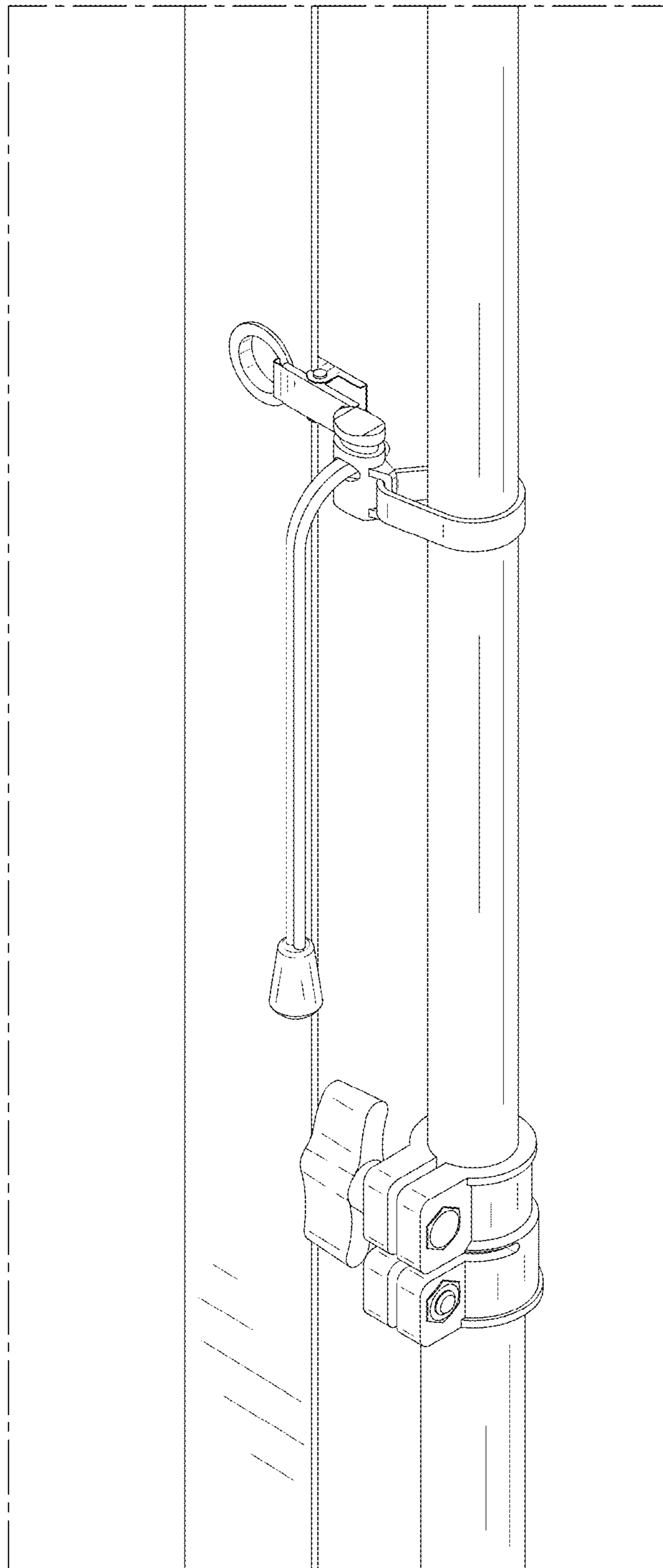


FIG. 11

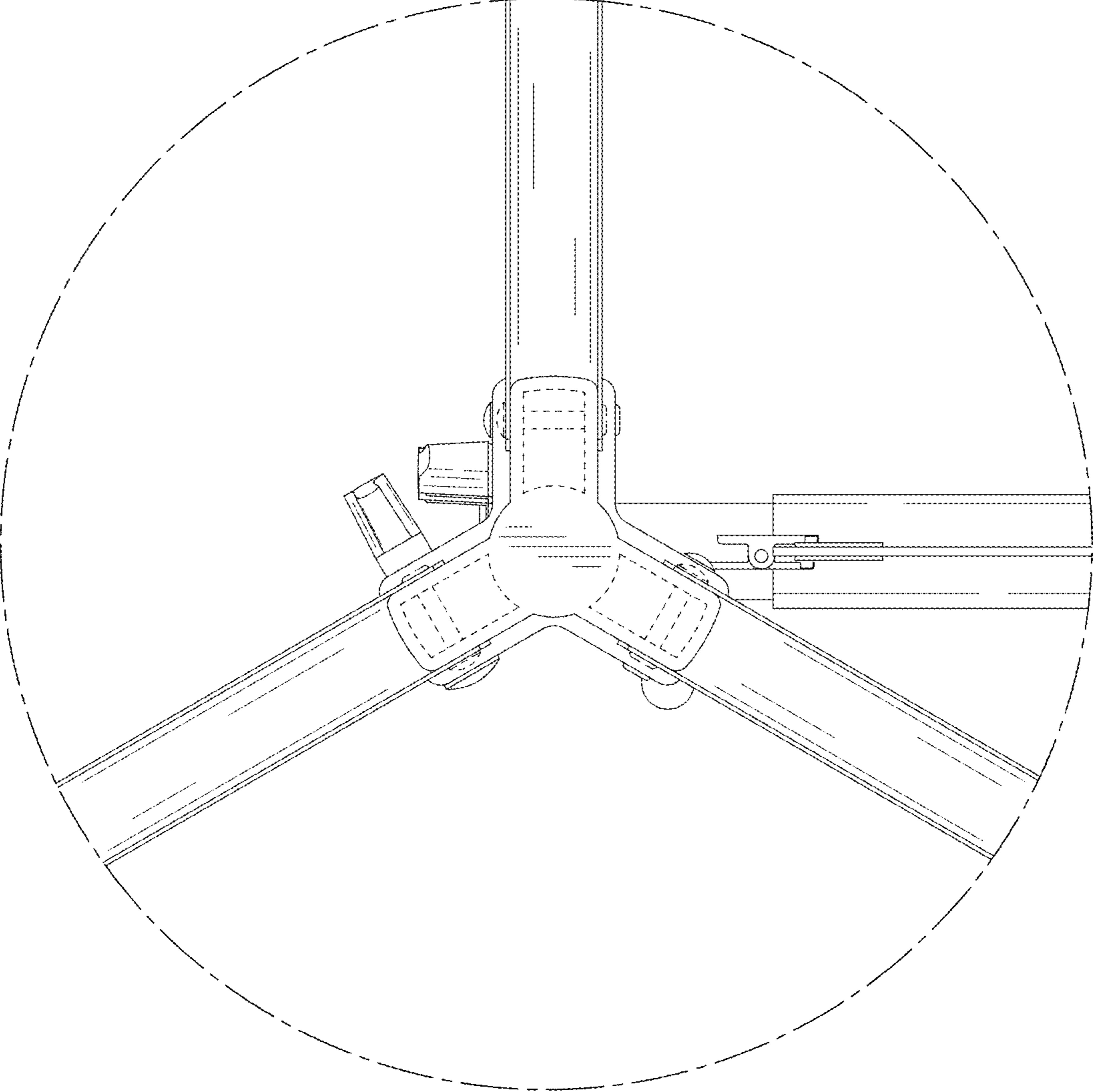


FIG. 12

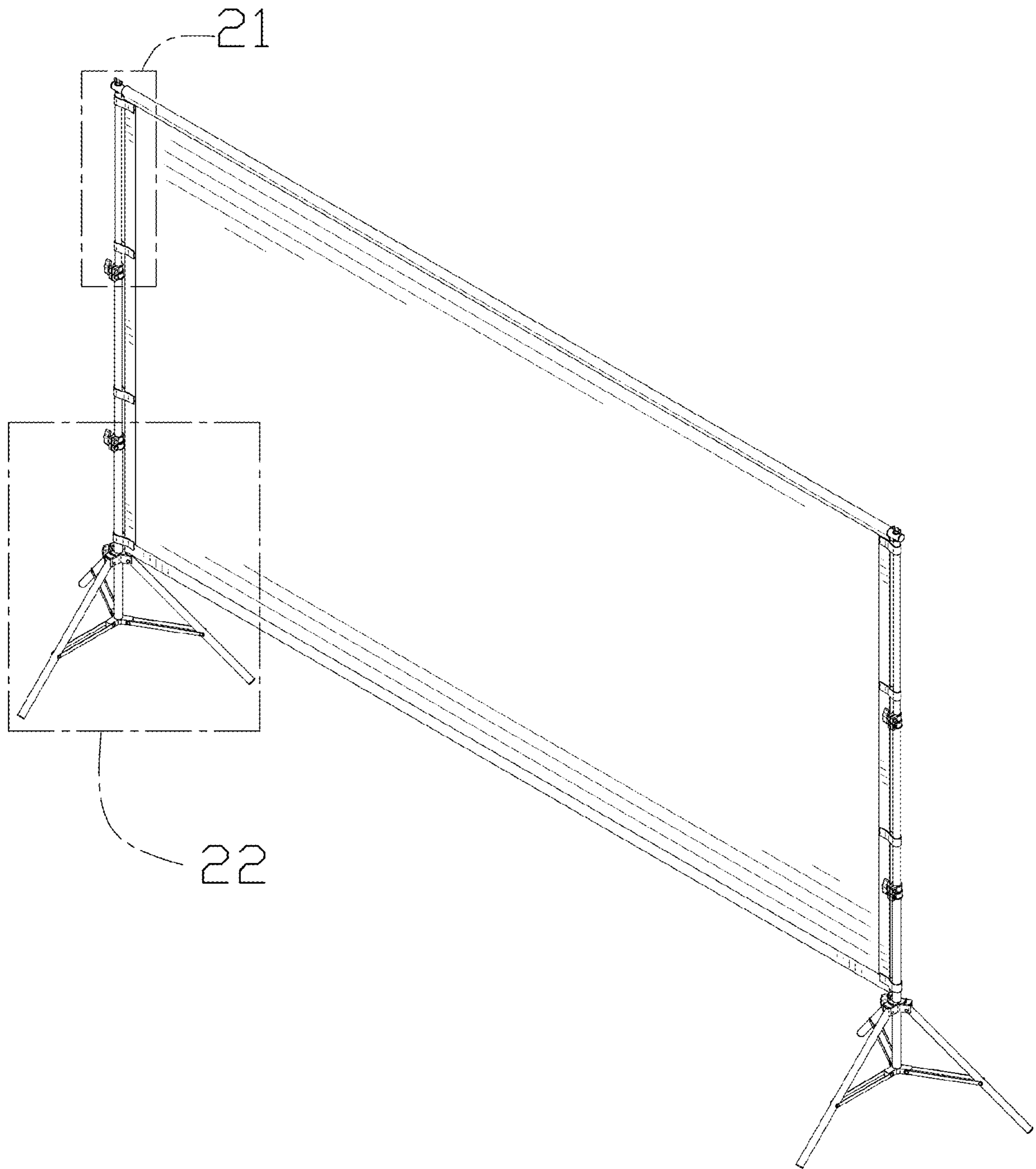


FIG. 13

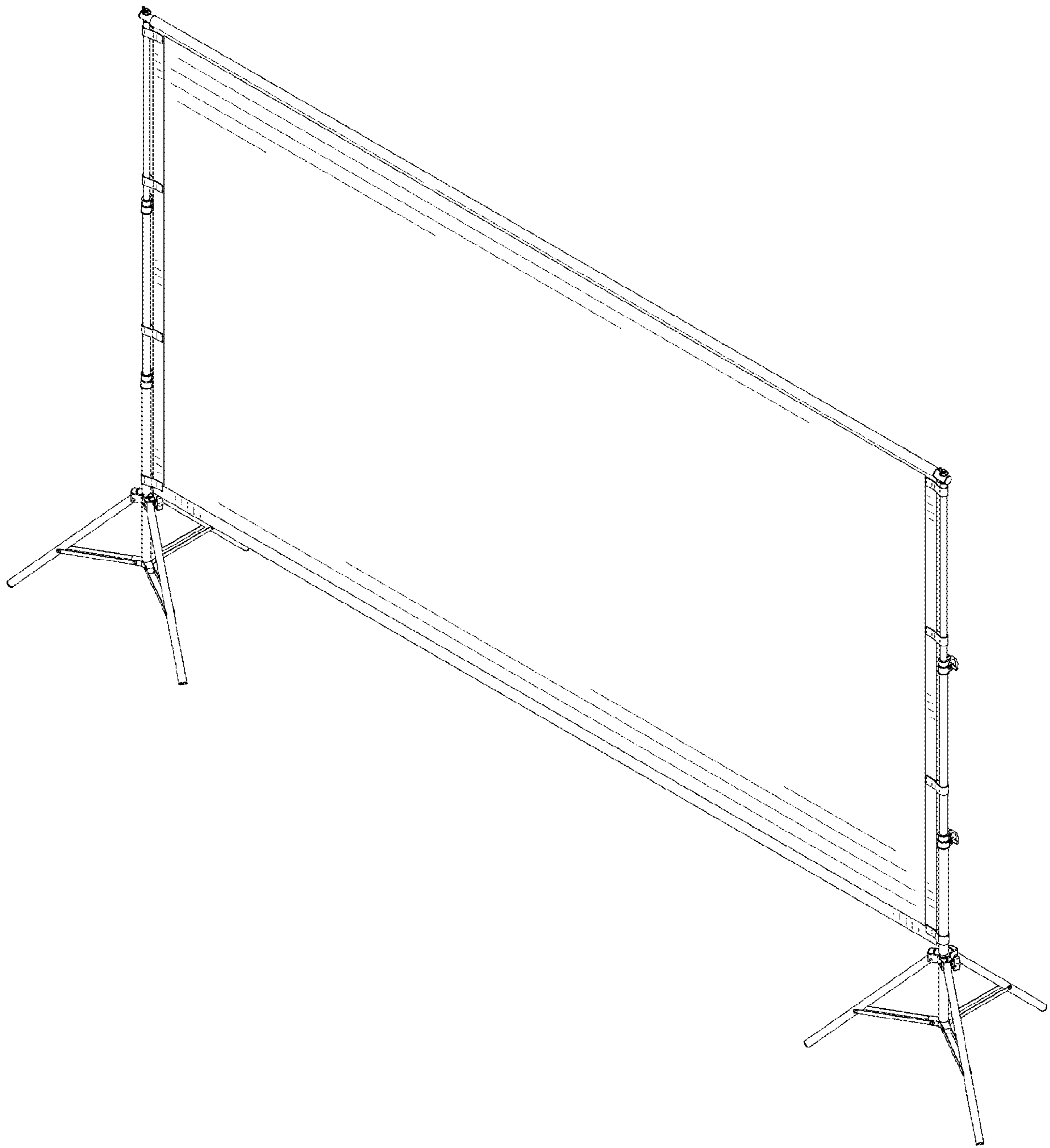


FIG. 14

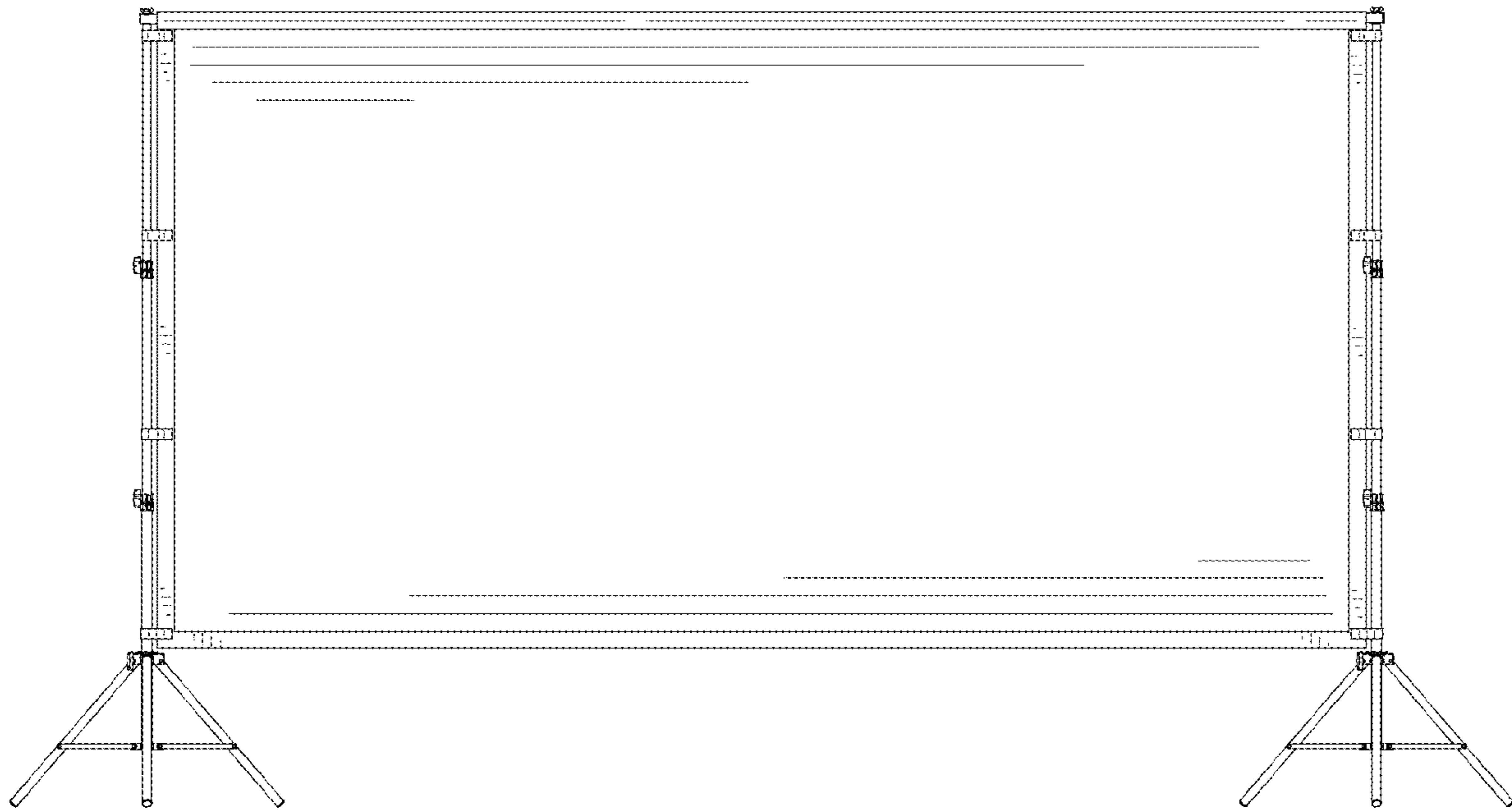


FIG. 15

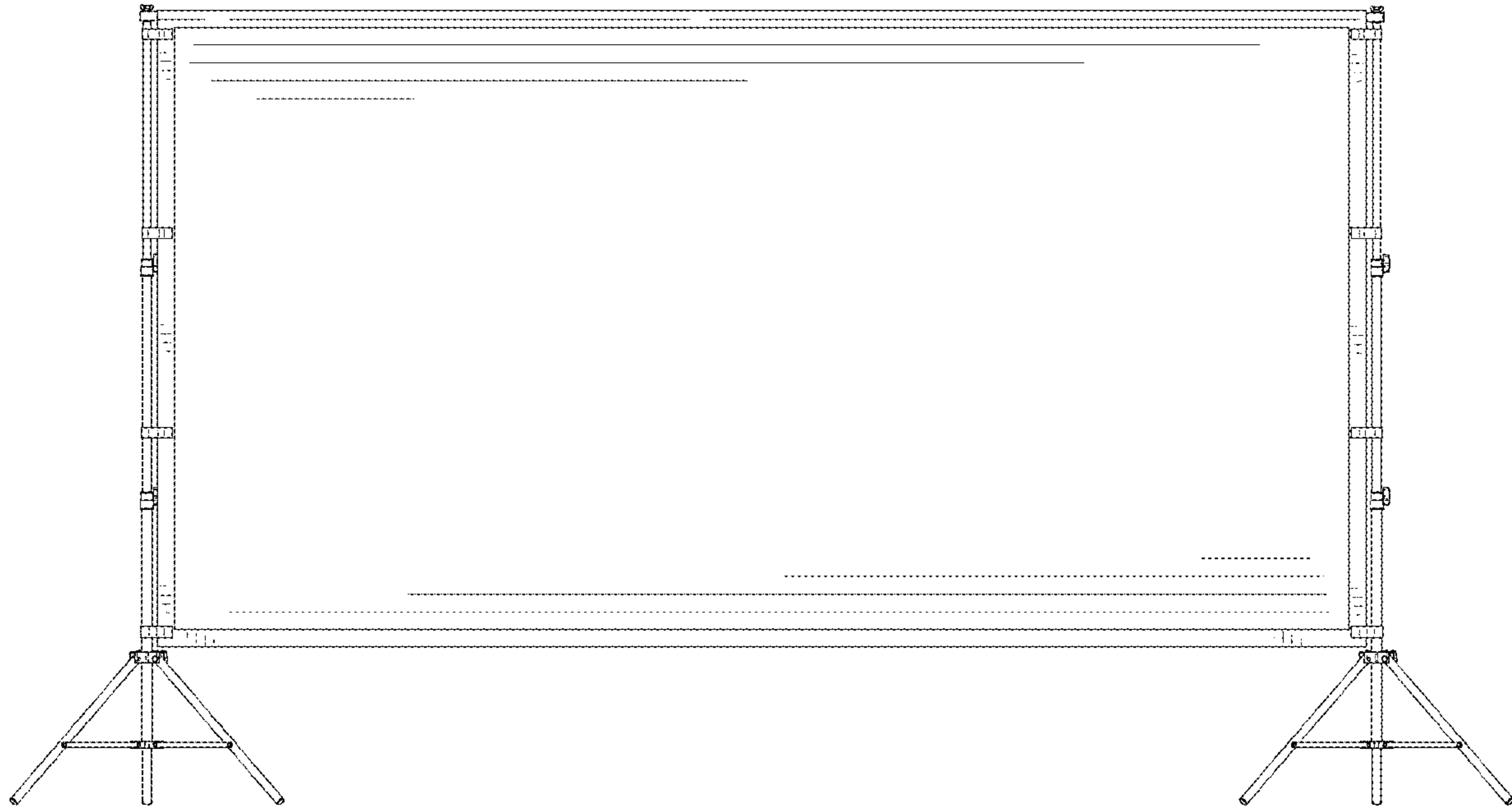


FIG. 16

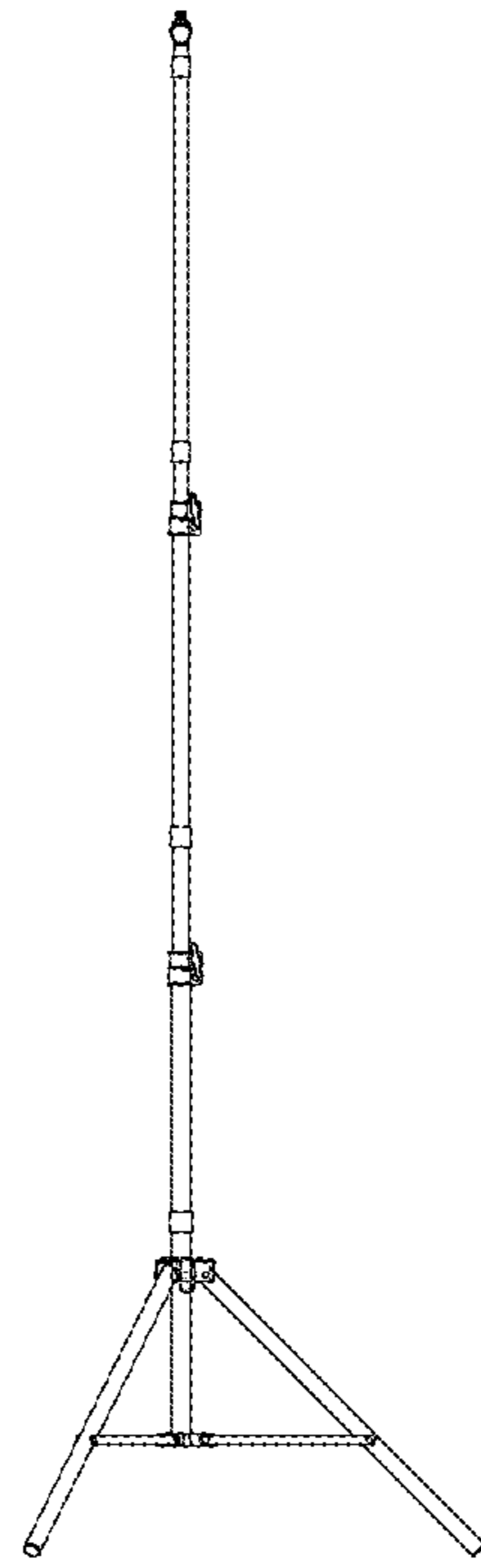


FIG. 17

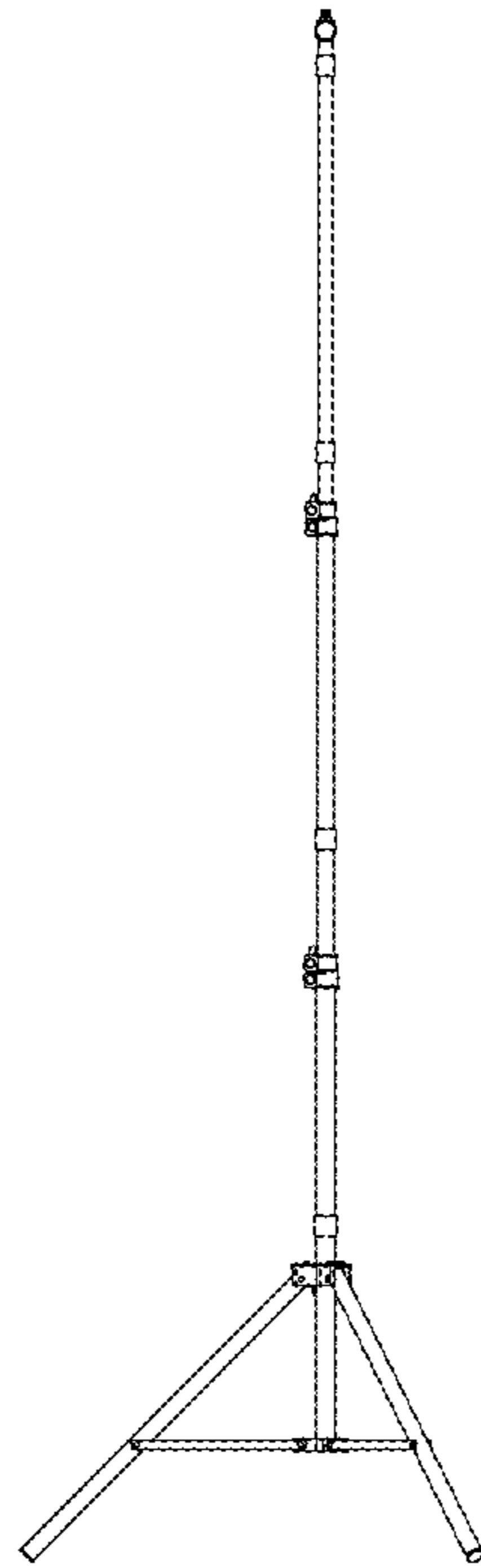


FIG. 18

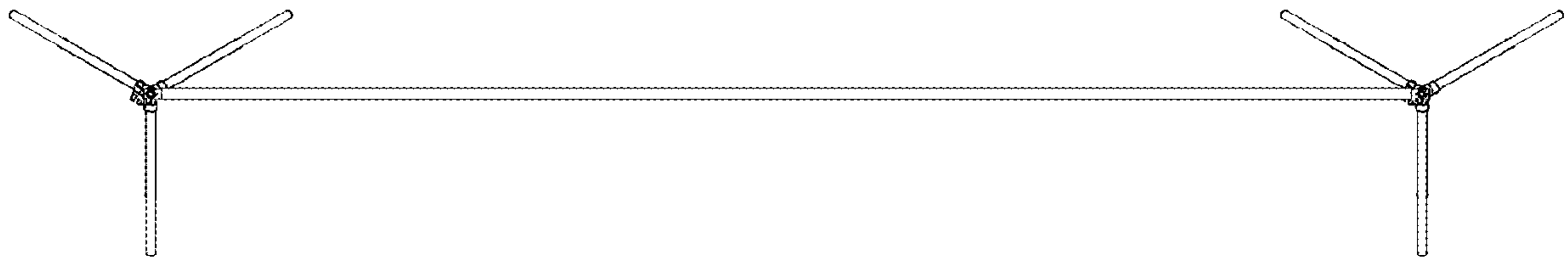


FIG. 19

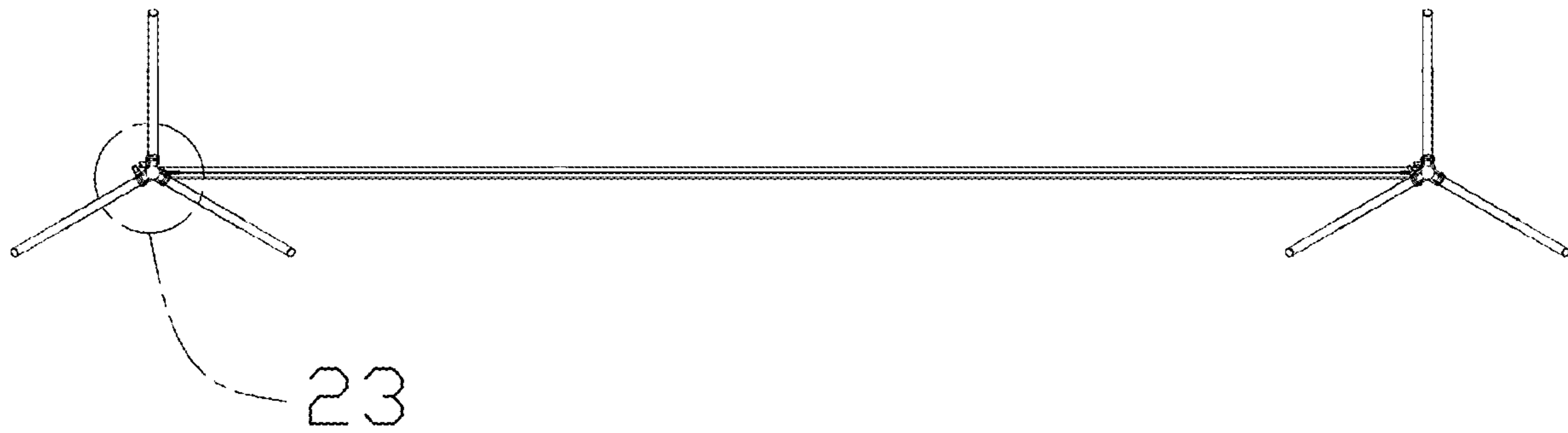


FIG. 20

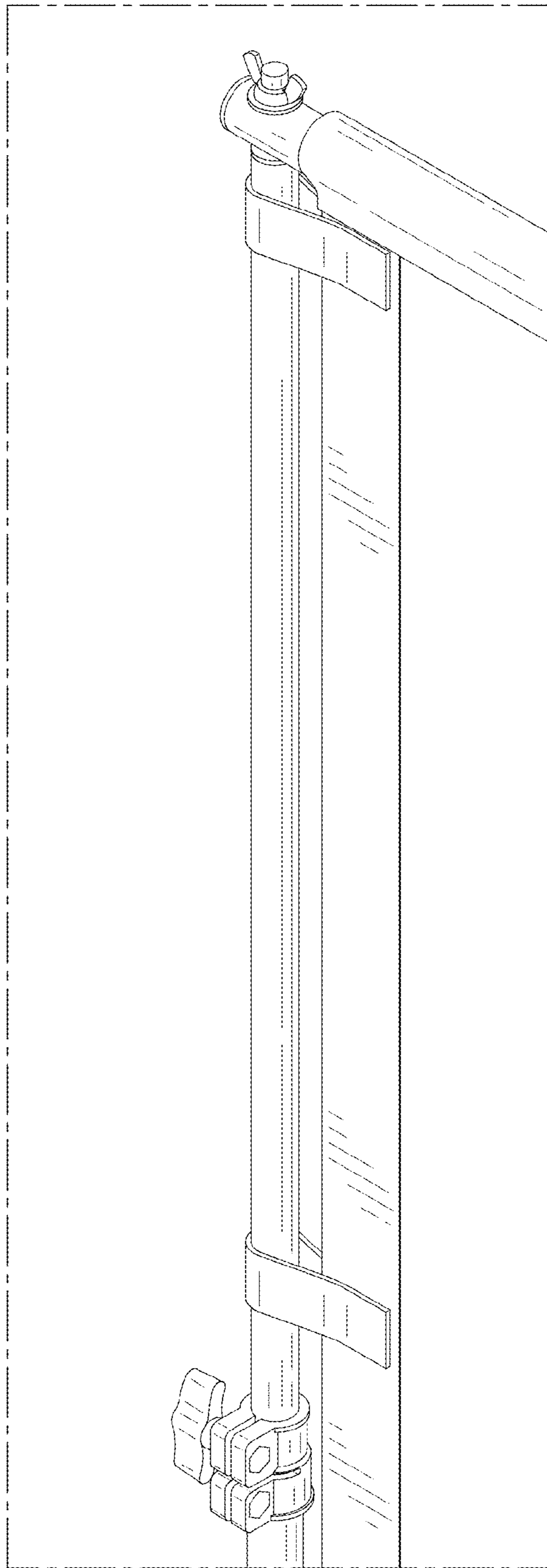


FIG. 21

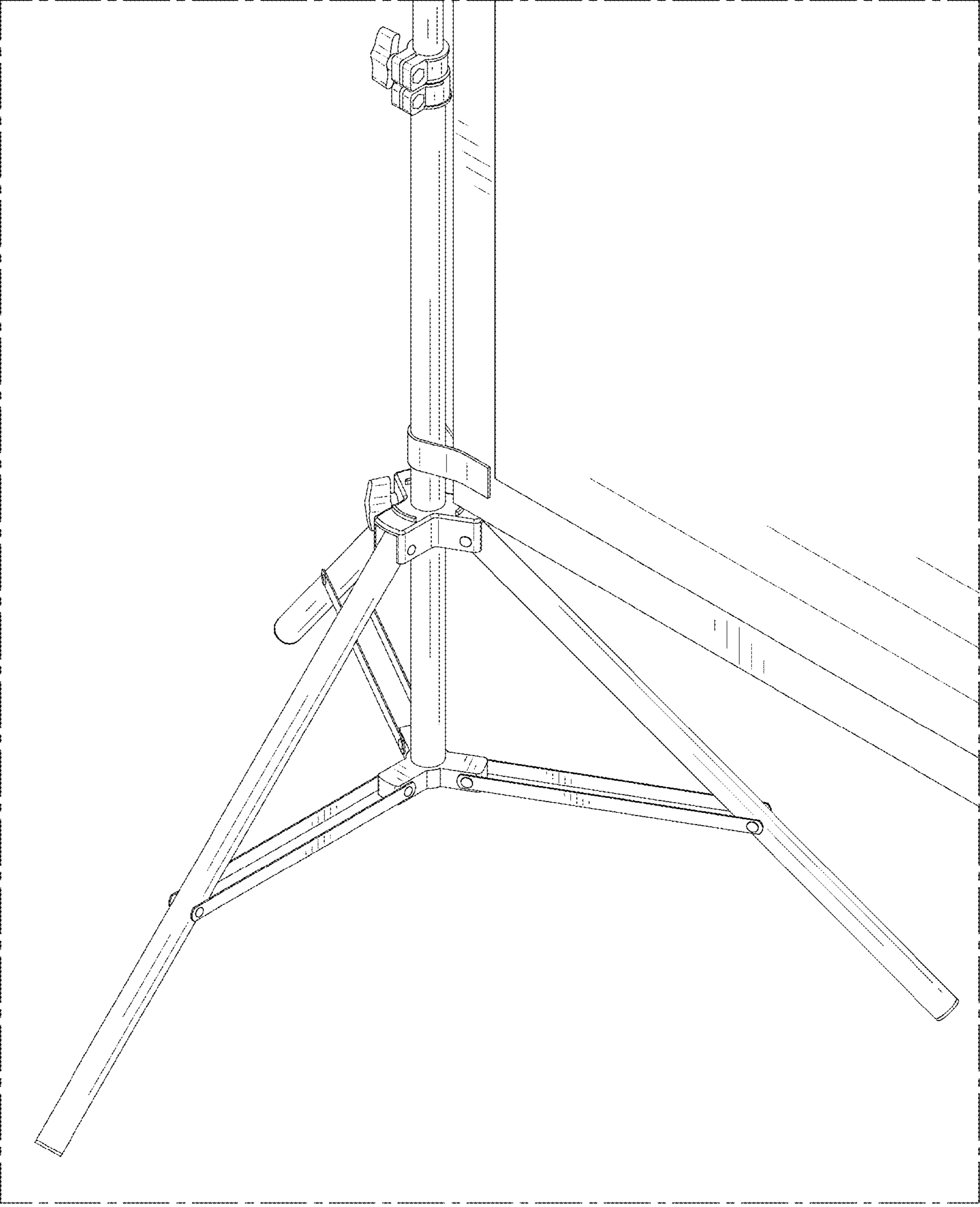


FIG. 22

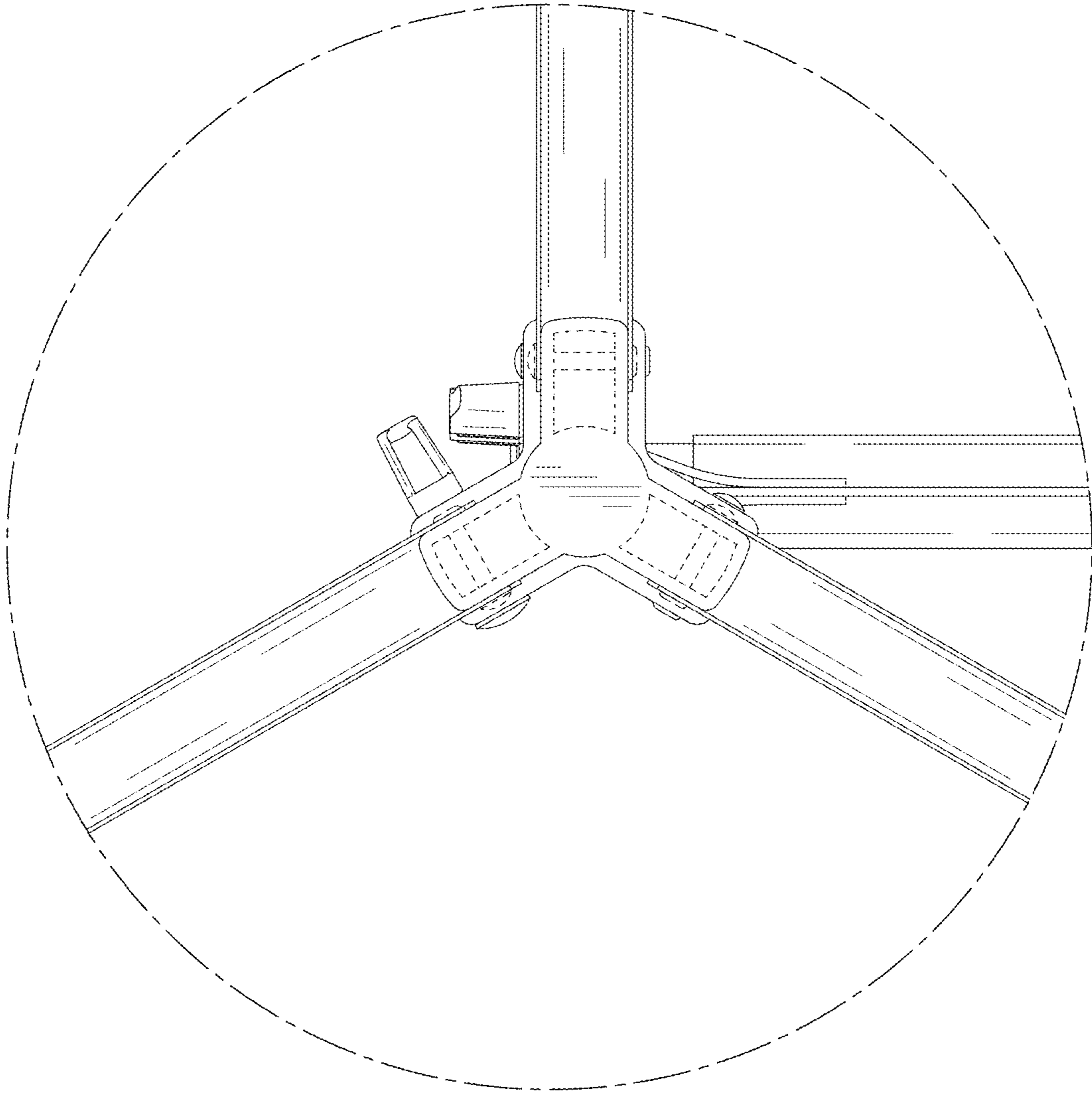


FIG. 23