



US00D963027S

(12) **United States Design Patent** (10) **Patent No.:** **US D963,027 S**
Inazumi et al. (45) **Date of Patent:** **** Sep. 6, 2022**

(54) **STROBE FOR CAMERA**

(71) Applicant: **CANON KABUSHIKI KAISHA,**
Tokyo (JP)

(72) Inventors: **Megumi Inazumi,** Tokyo (JP); **Toshimi Chiba,** Chigasaki (JP)

(73) Assignee: **Canon Kabushiki Kalsha,** Tokyo (JP)

(**) Term: **15 Years**

(21) Appl. No.: **29/744,247**

(22) Filed: **Jul. 28, 2020**

Related U.S. Application Data

(62) Division of application No. 35/507,100, filed on Nov. 14, 2018 (U.S. filing date under 35 U.S.C. 384), and having an international filing date of Nov. 14, 2018, now abandoned.

Foreign Application Priority Data

May 15, 2018 (JP) 2018-010503

(51) **LOC (13) Cl.** **16-05**

(52) **U.S. Cl.**
USPC **D16/239**

(58) **Field of Classification Search**

USPC D16/134, 136, 200, 202–205, 208, 218,
D16/219, 235, 237–250

CPC G03B 17/02; G03B 19/04; G03B 17/56;
G03B 17/04; G03B 15/03; G03B 17/14;
G03B 17/561–568; G03B 2219/00; G03B
19/00; G03B 9/00; G03B 17/00; G03B
17/18; H04N 5/2251; H04N 5/2252;
H04N 5/2253–2254; G02B 7/02; G02B
7/04; G02B 7/14; G02B 7/00–002; F16M
11/04–12; A45F 2200/0508–0533; A45F
5/00; A45F 5/10

See application file for complete search history.

(56) **References Cited**

U.S. PATENT DOCUMENTS

D241,273 S * 8/1976 Karaki et al. D16/240
D342,753 S * 12/1993 Haga D16/239
5,794,082 A * 8/1998 Matsui G03B 15/05
396/171
D446,589 S * 8/2001 Rochel D26/28
D453,351 S * 2/2002 Kitera D16/239
D474,174 S * 5/2003 Right D14/172
D562,875 S * 2/2008 Kitera D16/239
D577,053 S * 9/2008 Watanabe D16/239

(Continued)

FOREIGN PATENT DOCUMENTS

JP 1456035 11/2012
JP 1456461 11/2012

(Continued)

Primary Examiner — Bao-Yen T Nguyen

(74) *Attorney, Agent, or Firm* — Venable LLP

(57) **CLAIM**

The ornamental design for a strobe for camera, as shown and described.

DESCRIPTION

FIG. 1 is a Front view of a strobe for camera showing our new design;

FIG. 2 is a Back view thereof;

FIG. 3 is a Top view thereof;

FIG. 4 is a Bottom view thereof;

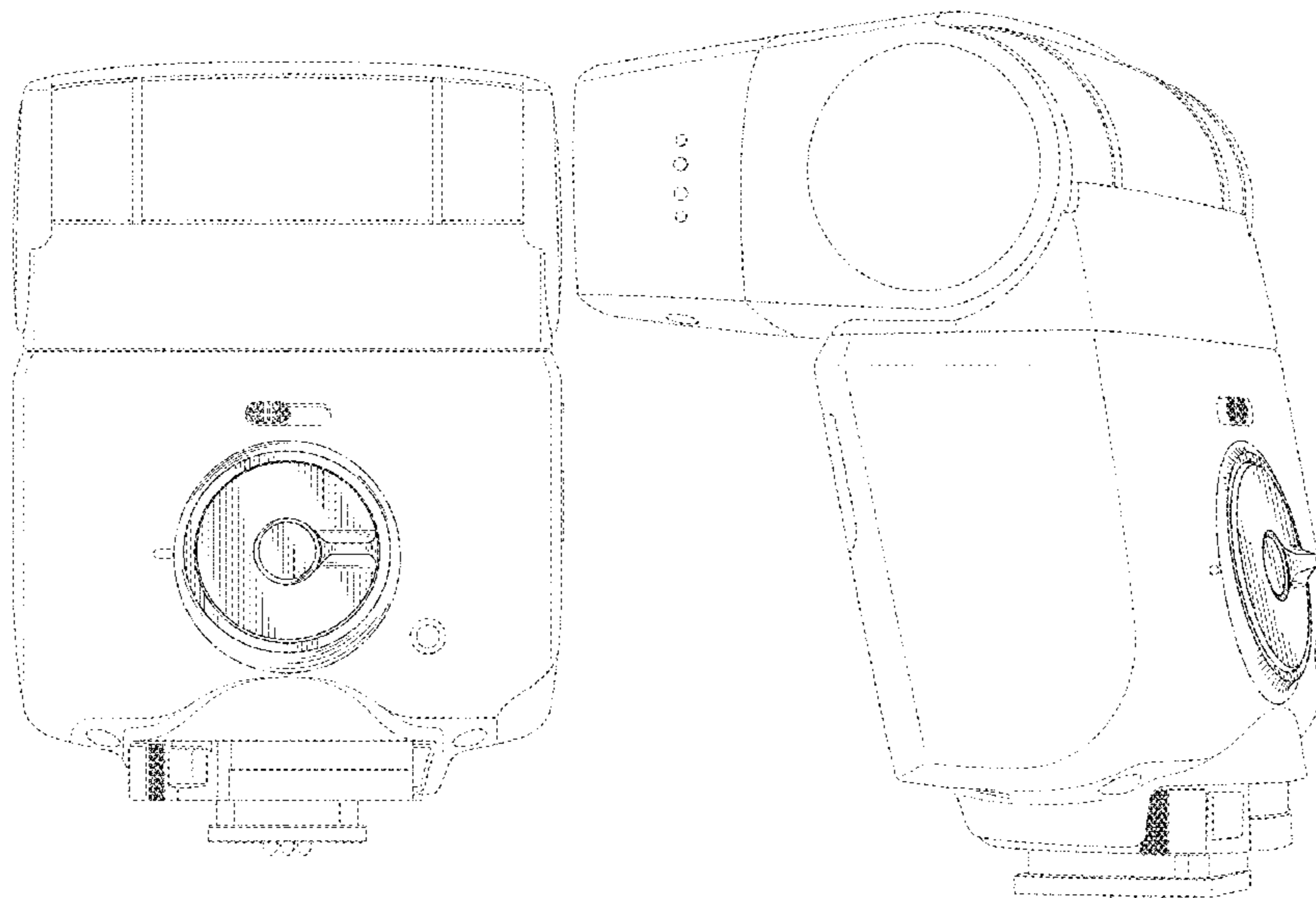
FIG. 5 is a Left side view thereof;

FIG. 6 is a Right side view thereof; and,

FIG. 7 is a Perspective view thereof.

The dashed broken lines show portions of the strobe for camera that form no part of the claimed design. The dashed-dotted broken lines define a boundary of the claimed design and form no part of the claimed design.

1 Claim, 7 Drawing Sheets



(56)

References Cited

U.S. PATENT DOCUMENTS

D695,815	S	*	12/2013	Takahashi	D16/240
D696,711	S	*	12/2013	Takahashi	D16/240
D701,553	S	*	3/2014	Sanhui	D16/239
D703,723	S	*	4/2014	Soejima	D16/239
D705,335	S		5/2014	Oikawa et al.		
D726,240	S		4/2015	Oikawa et al.		
D783,700	S		4/2017	Tagawa et al.		
D819,115	S	*	5/2018	Nohara	D16/239
D836,700	S	*	12/2018	Nohara	D16/219
D848,519	S	*	5/2019	Tajima	D16/237
D855,683	S	*	8/2019	Sakai	D16/239
D861,968	S	*	10/2019	Walker	D26/113
D923,683	S	*	6/2021	Ke	D16/239
D927,584	S	*	8/2021	Chen	D16/240
2007/0047944	A1	*	3/2007	Hayashi	G03B 17/02 396/155

FOREIGN PATENT DOCUMENTS

JP	1456462		11/2012
JP	1456463		11/2012
JP	1456464		11/2012
JP	1456465		11/2012
JP	1555184		8/2016
JP	2016-126069	A	7/2017

* cited by examiner



FIG. 1

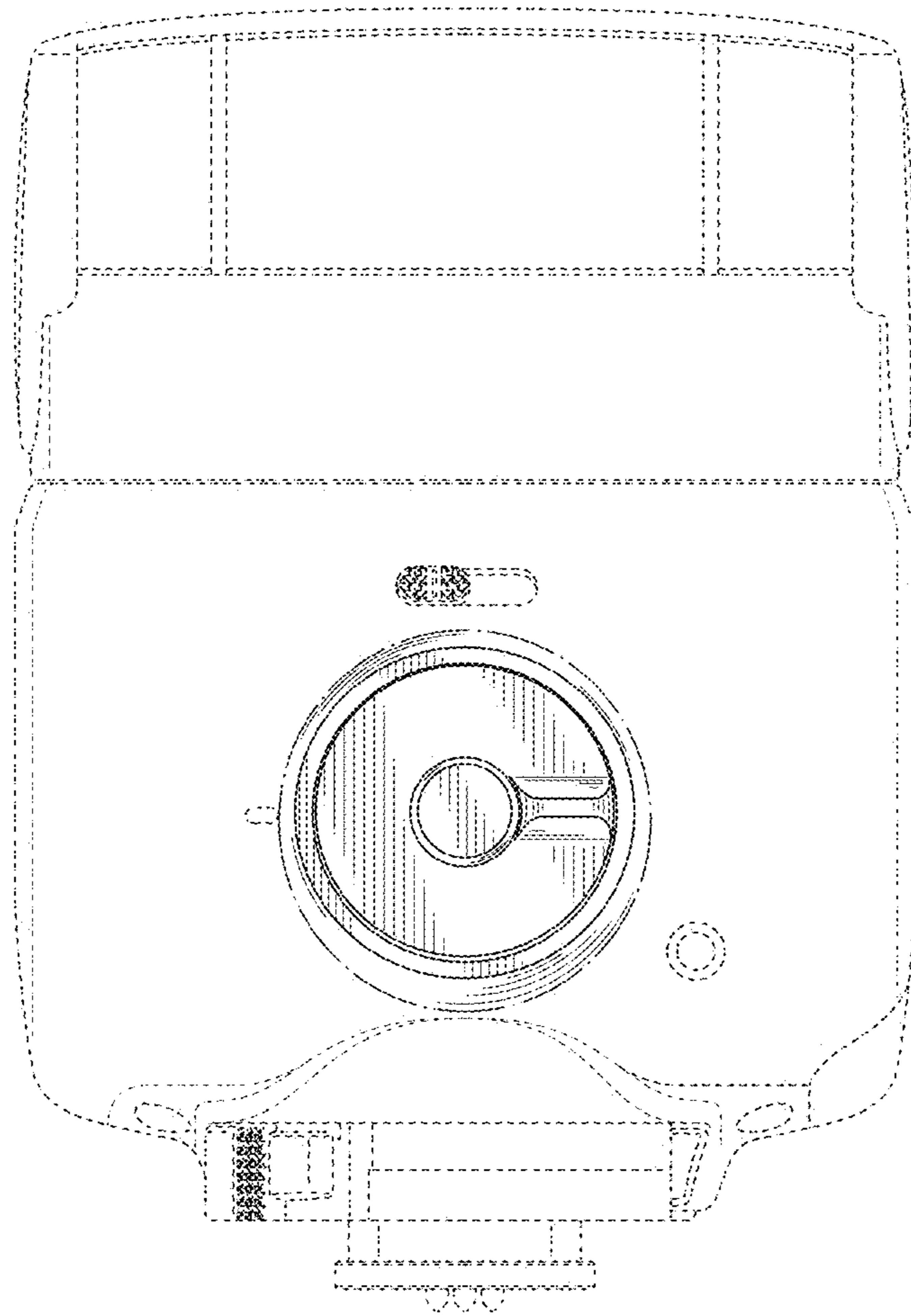


FIG. 2

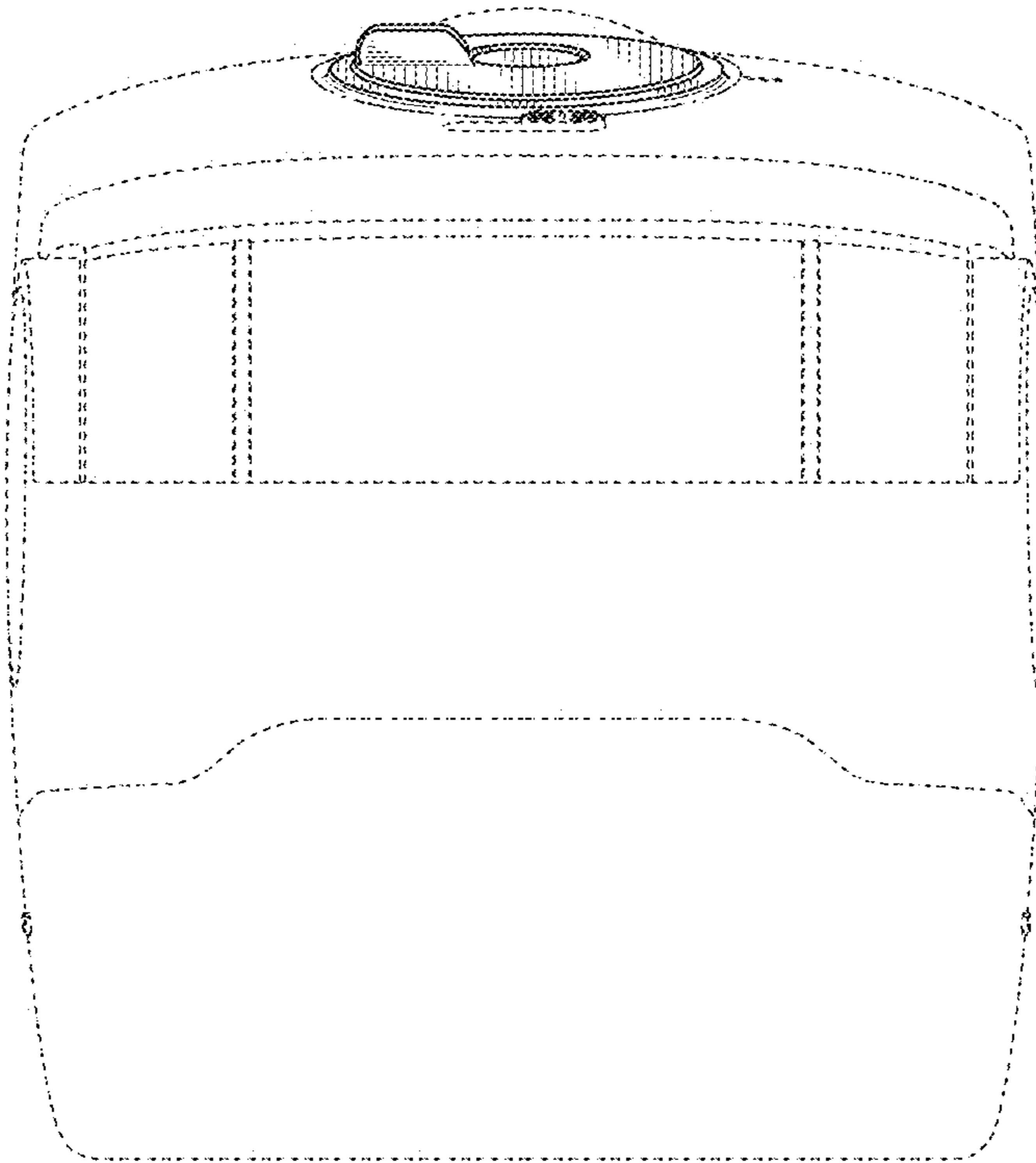


FIG. 3

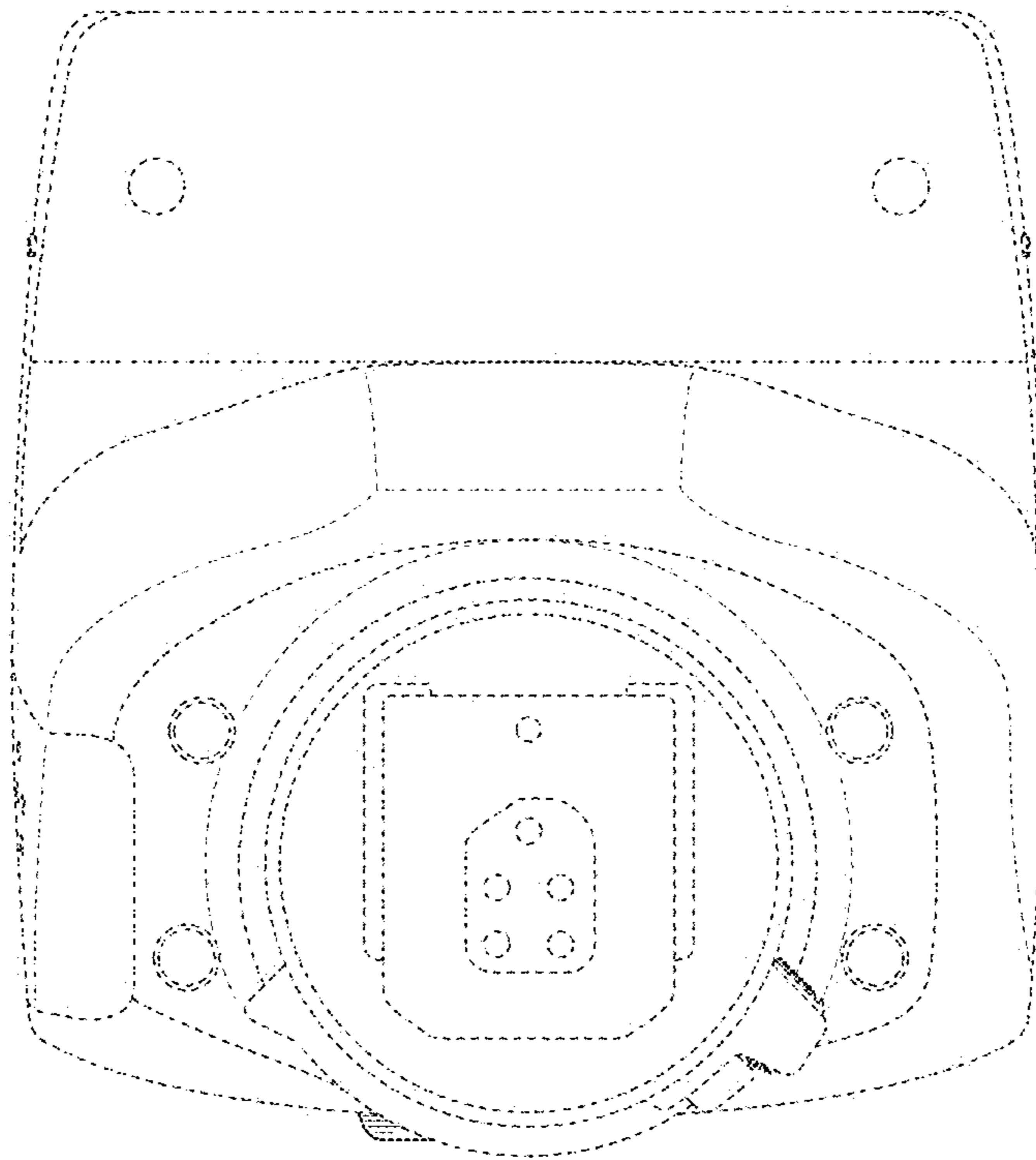


FIG. 4

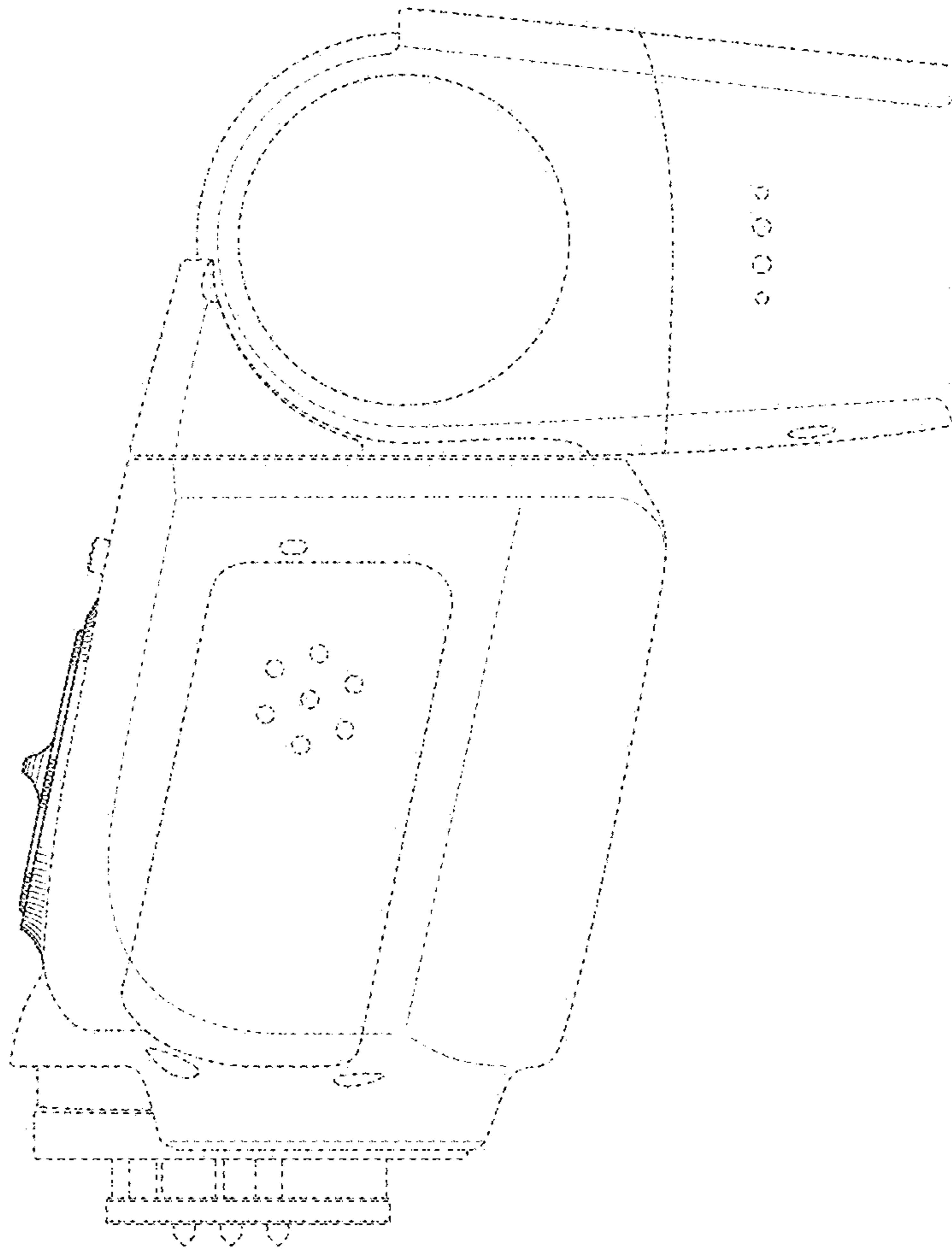


FIG. 5

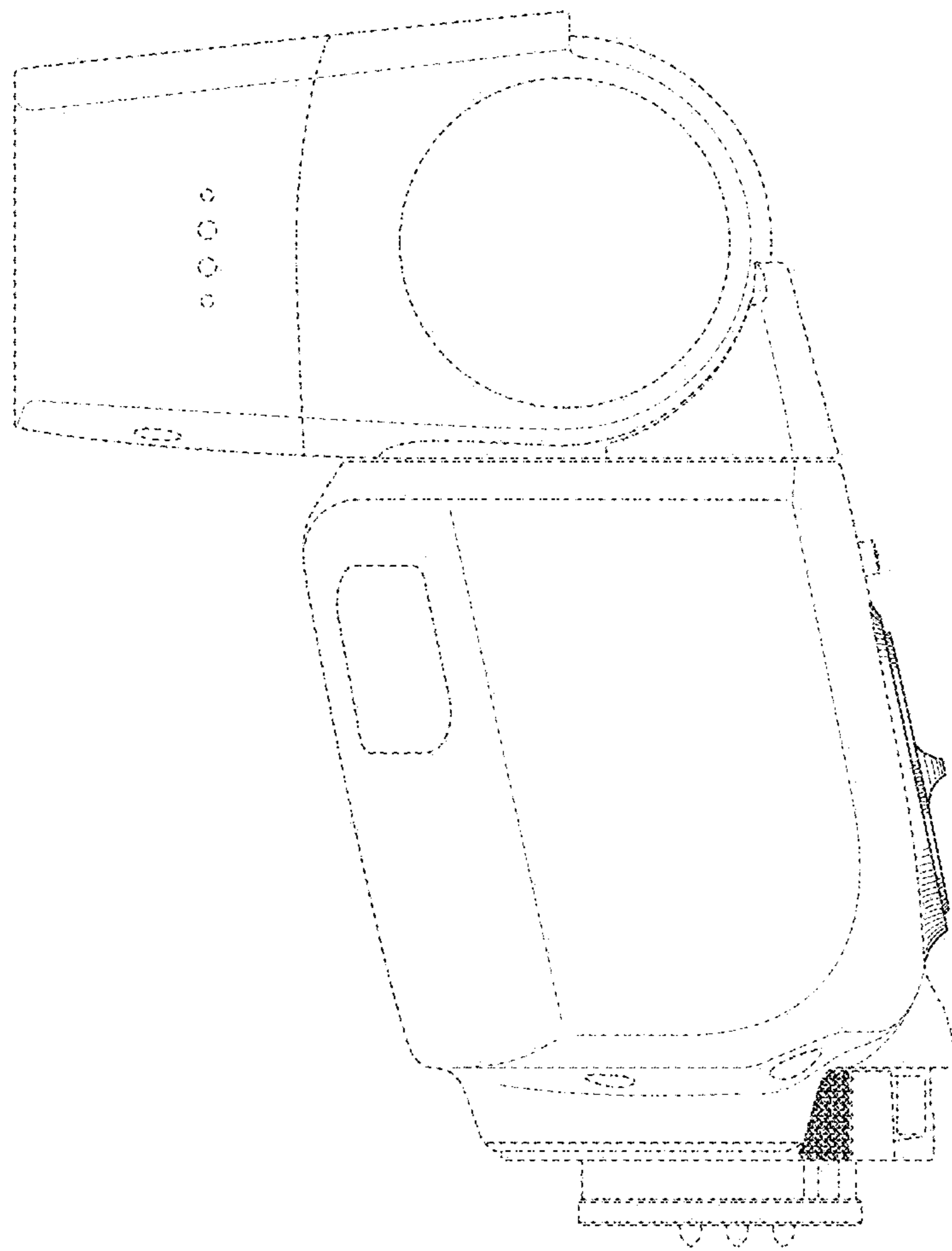


FIG. 6

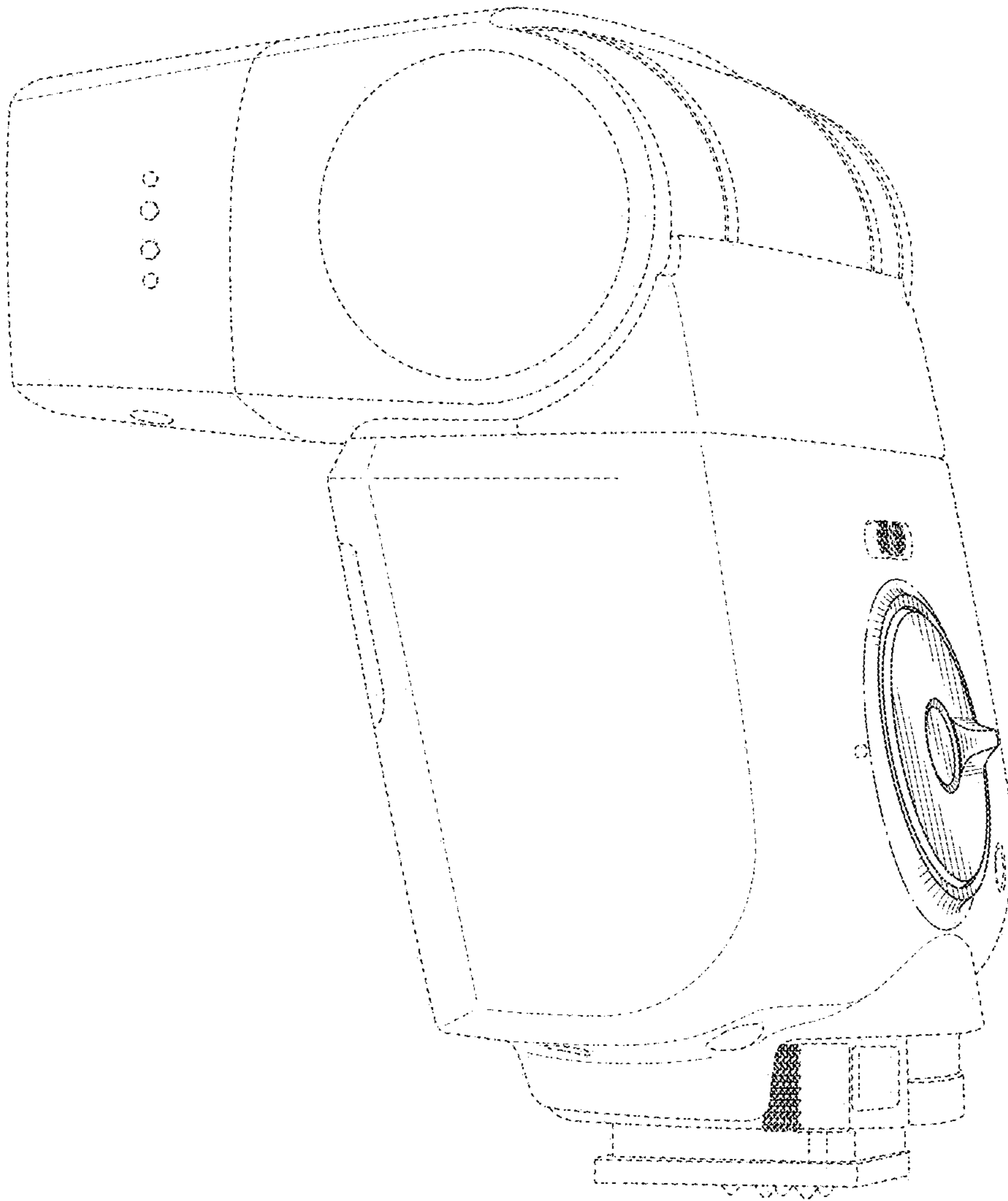


FIG. 7