

US00D963026S

(12) **United States Design Patent** (10) **Patent No.:** **US D963,026 S**  
**Tian** (45) **Date of Patent:** **\*\* Sep. 6, 2022**

(54) **SOFTBOX WITH TRIPOD**

FOREIGN PATENT DOCUMENTS

(71) Applicant: **SHAOXING SHANGYU SHENGHUI PHOTOGRAPHIC EQUIPMENT CO., LTD.**, Shaoxing (CN)

EM 008459259-0001 \* 3/2021

(72) Inventor: **Gaosheng Tian**, Shangyu (CN)

OTHER PUBLICATIONS

(73) Assignee: **SHAOXING SHANGYU SHENGHUI PHOTOGRAPHIC EQUIPMENT CO., LTD.**, Shaoxing (CN)

Amazon, "Neewer 2.6M x 3M/8.5ft x 10ft Background", first available Dec. 17, 2015. <https://www.amazon.com/dp/B019GTCNXC/> (Year: 2015).\*

(Continued)

(\*\*) Term: **15 Years**

*Primary Examiner* — Lauren D McVey

*Assistant Examiner* — Justin A Johnson

(21) Appl. No.: **29/784,098**

(57) **CLAIM**

(22) Filed: **May 18, 2021**

The ornamental design for a softbox with tripod, as shown and described.

(51) **LOC (13) Cl.** ..... **16-05**

(52) **U.S. Cl.**  
USPC ..... **D16/237**

**DESCRIPTION**

(58) **Field of Classification Search**  
USPC ..... D16/237, 241, 242, 244, 245; D26/24, D26/61, 63, 93, 106  
CPC ..... F21L 2/00; F21L 4/00; F21L 4/02; F21L 4/025; F21L 4/027; F21L 14/00; F21S 2/00; F21S 8/03; F21S 8/033; F21S 6/00; F21S 6/002; F21S 8/036; F21S 8/037; H01K 7/00; H01K 7/02; G03B 15/02; G03B 15/06; G03B 15/07  
See application file for complete search history.

FIG. 1 is a perspective view of a softbox with tripod showing my new design;  
FIG. 2 is another perspective view thereof;  
FIG. 3 is a front elevational view thereof;  
FIG. 4 is a rear elevational view thereof;  
FIG. 5 is a left side elevational view thereof;  
FIG. 6 is a right side elevational view thereof;  
FIG. 7 is a top plan view thereof;  
FIG. 8 is a bottom plan view thereof;  
FIG. 9 is a perspective view of the softbox with tripod shown with additional broken line environment;  
FIG. 10 is an enlarged view of portion 10 shown in FIG. 1;  
FIG. 11 is an enlarged view of portion 11 shown in FIG. 1; and,  
FIG. 12 is an enlarged view of portion 12 shown in FIG. 2.  
The even length broken lines depict portions of the softbox with tripod that form no part of the claimed design. In addition, the dot-dash broken lines illustrate enlarged portions of the design. None of the broken lines form part of the claimed design.

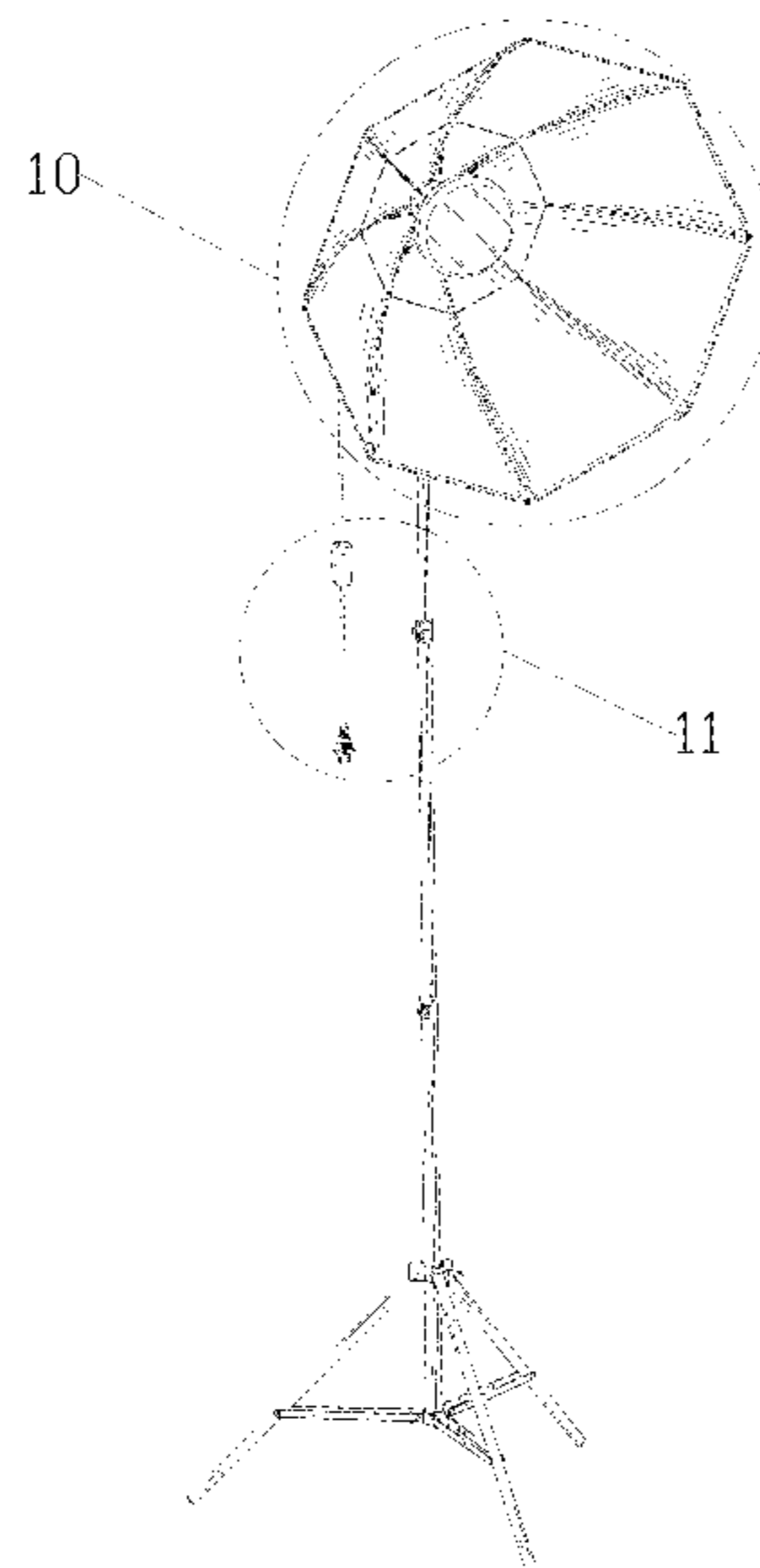
(56) **References Cited**

U.S. PATENT DOCUMENTS

D200,001 S \* 1/1965 Simon ..... D26/102  
3,360,798 A \* 12/1967 Webb ..... H01Q 15/161  
343/915  
4,524,405 A \* 6/1985 Heard ..... G03B 15/06  
362/450  
4,633,374 A \* 12/1986 Waltz ..... G03B 15/02  
362/17

(Continued)

**1 Claim, 12 Drawing Sheets**



(56)

**References Cited**

U.S. PATENT DOCUMENTS

D881,980	S	4/2020	Zhu	
D888,811	S *	6/2020	Chen .....	F24S 23/715 D16/237
D905,900	S *	12/2020	Nykolyshyn .....	G03B 15/06 D16/237
D940,782	S *	1/2022	Zhu .....	H01Q 15/161 D16/244
2002/0141172	A1 *	10/2002	Shirilla .....	G03B 15/06 362/450
2005/0088836	A1 *	4/2005	Lowe .....	G03B 15/06 362/18
2012/0026717	A1 *	2/2012	Lin .....	G03B 15/06 362/16
2015/0168812	A1 *	6/2015	Ortiz-Gavin .....	G03B 15/06 362/18
2016/0230942	A1 *	8/2016	Hudson .....	G03B 15/02
2016/0258595	A1 *	9/2016	Mossdorf .....	F24S 23/715

OTHER PUBLICATIONS

Amazon, "Octagonal Softbox Lighting Kit", first available May 12, 2021. (<https://www.amazon.com/dp/B094QD1LS5/?th=1>) (Year: 2021).\*

Amazon, "MSKIRA Upgrade Softbox Lighting Kit", first available Oct. 12, 2021. (<https://www.amazon.com/dp/B09J8Q4T89/>) (Year: 2021).\*

Amazon, "LOMTAP Softbox Light Kit", first available Jan. 1, 2022. (<https://www.amazon.com/dp/B09JC41LH5/?th=1>) (Year: 2021).\*

\* cited by examiner

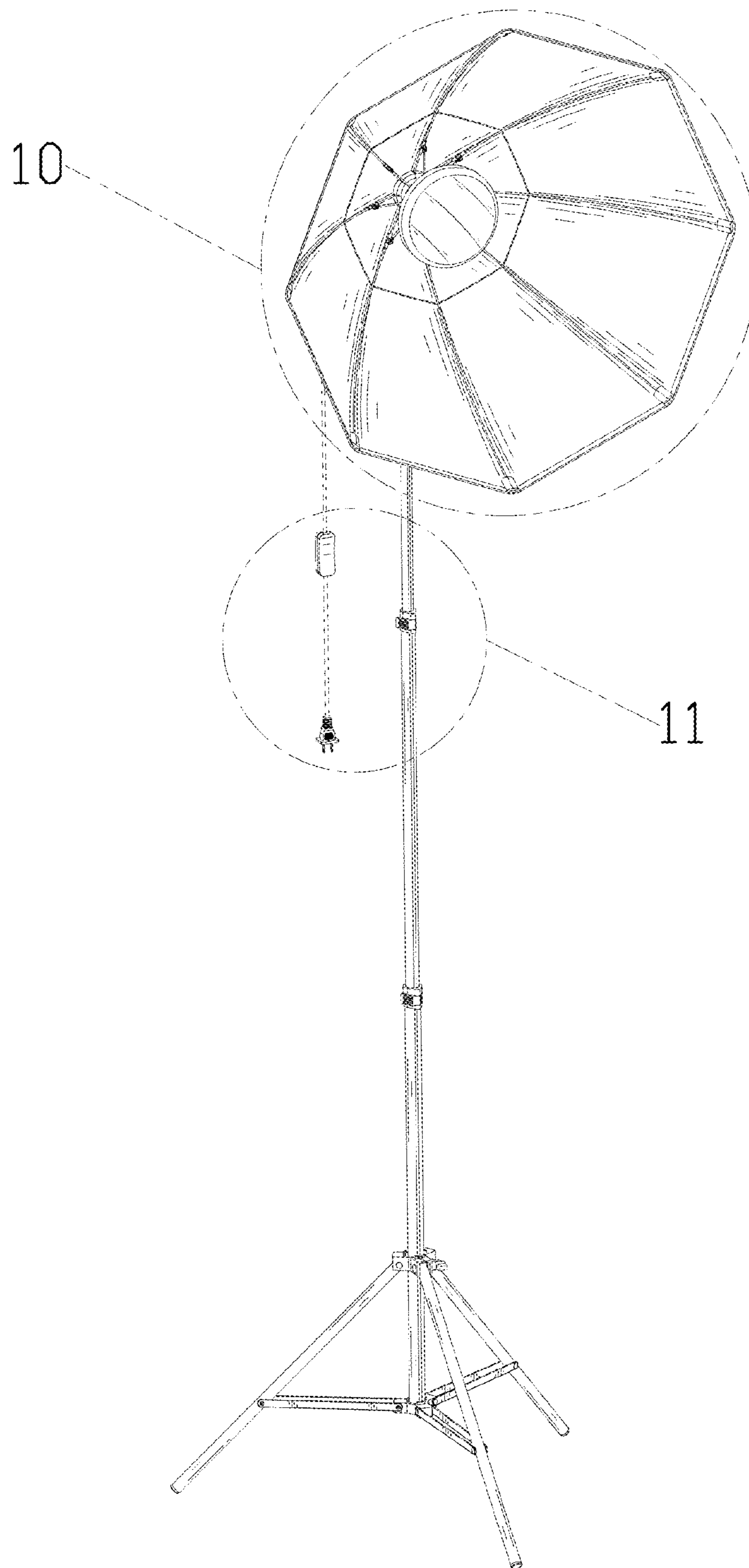


FIG. 1

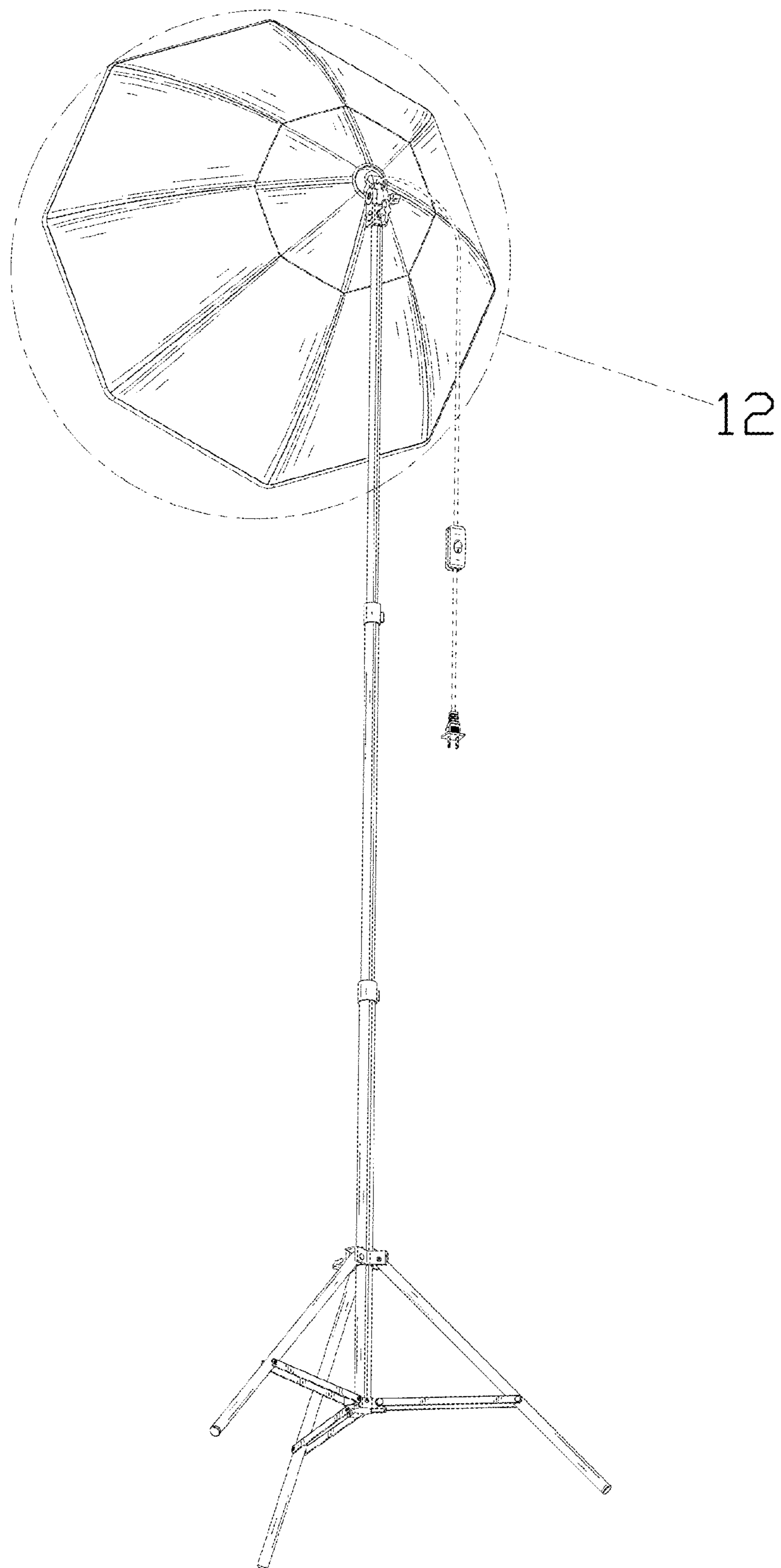


FIG. 2

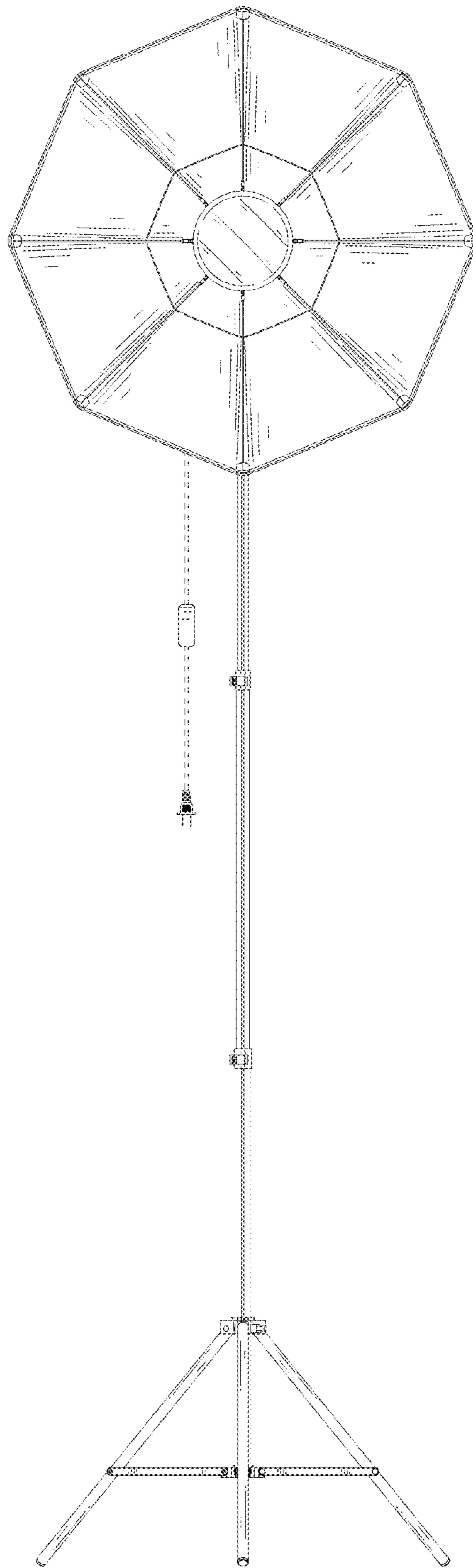


FIG. 3

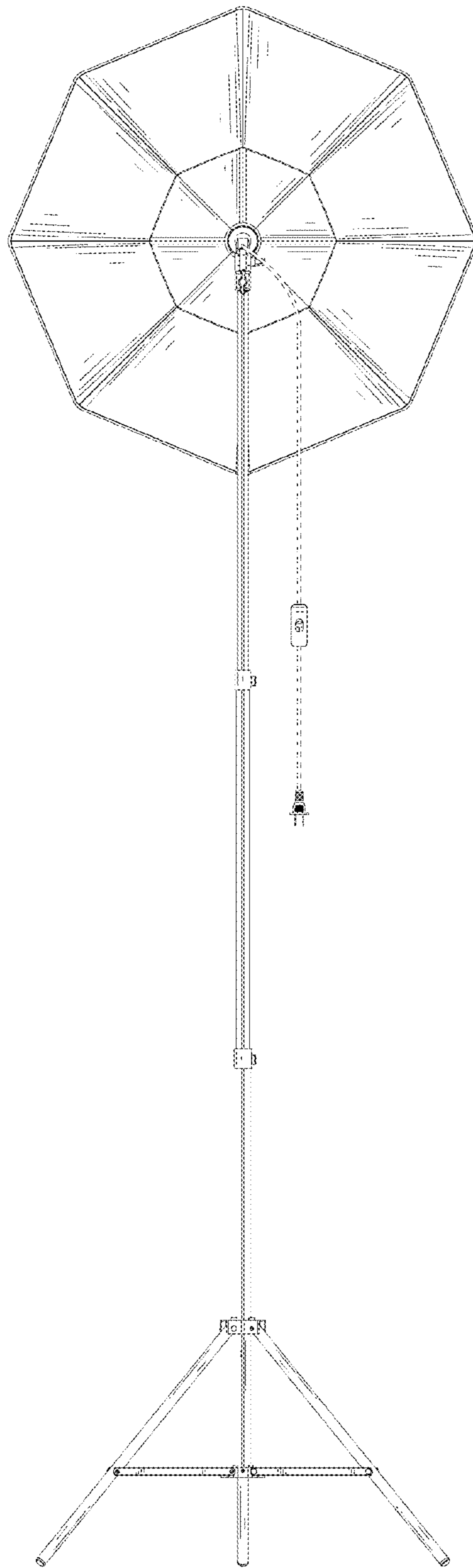


FIG. 4

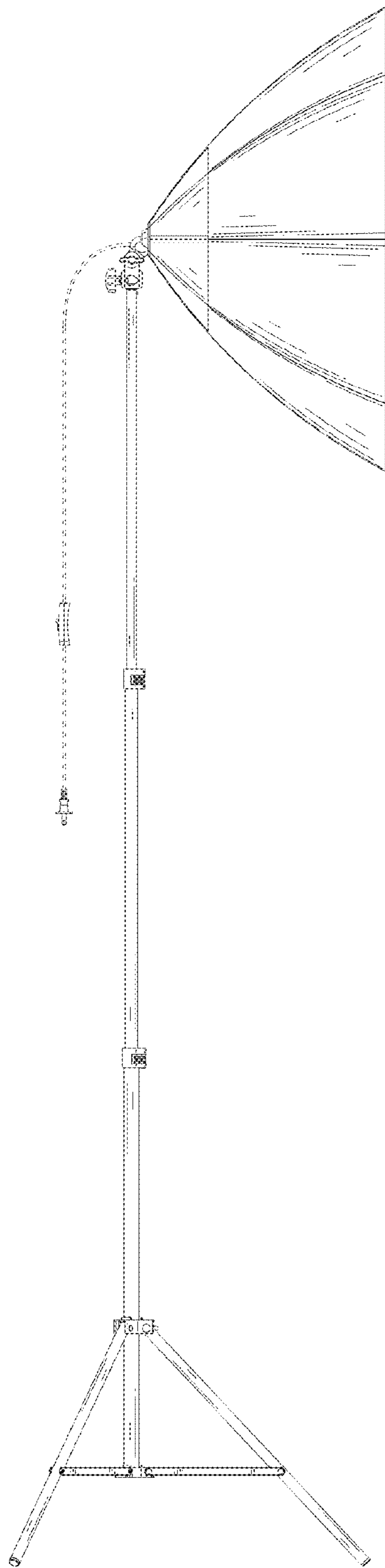


FIG. 5

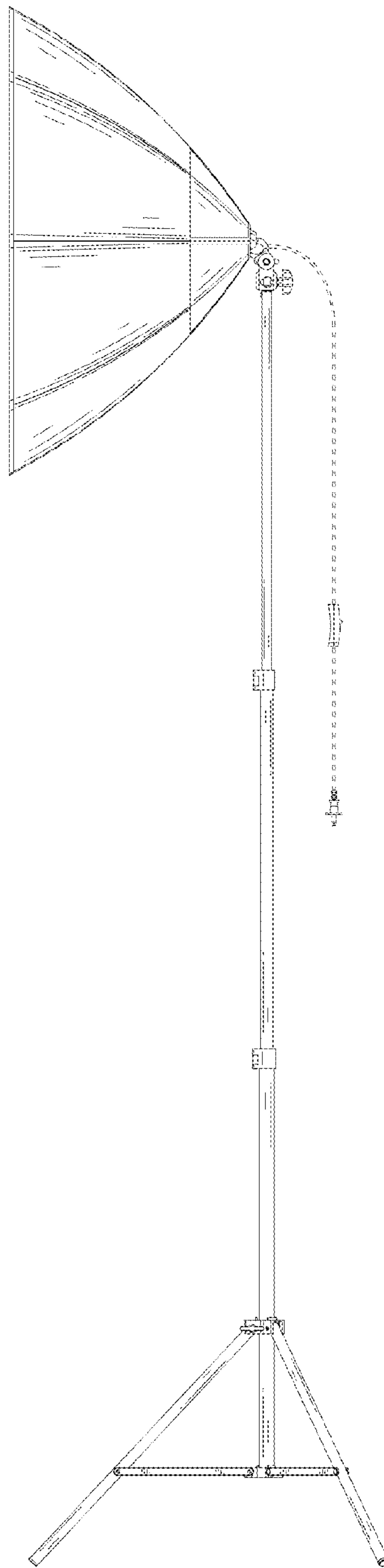


FIG. 6



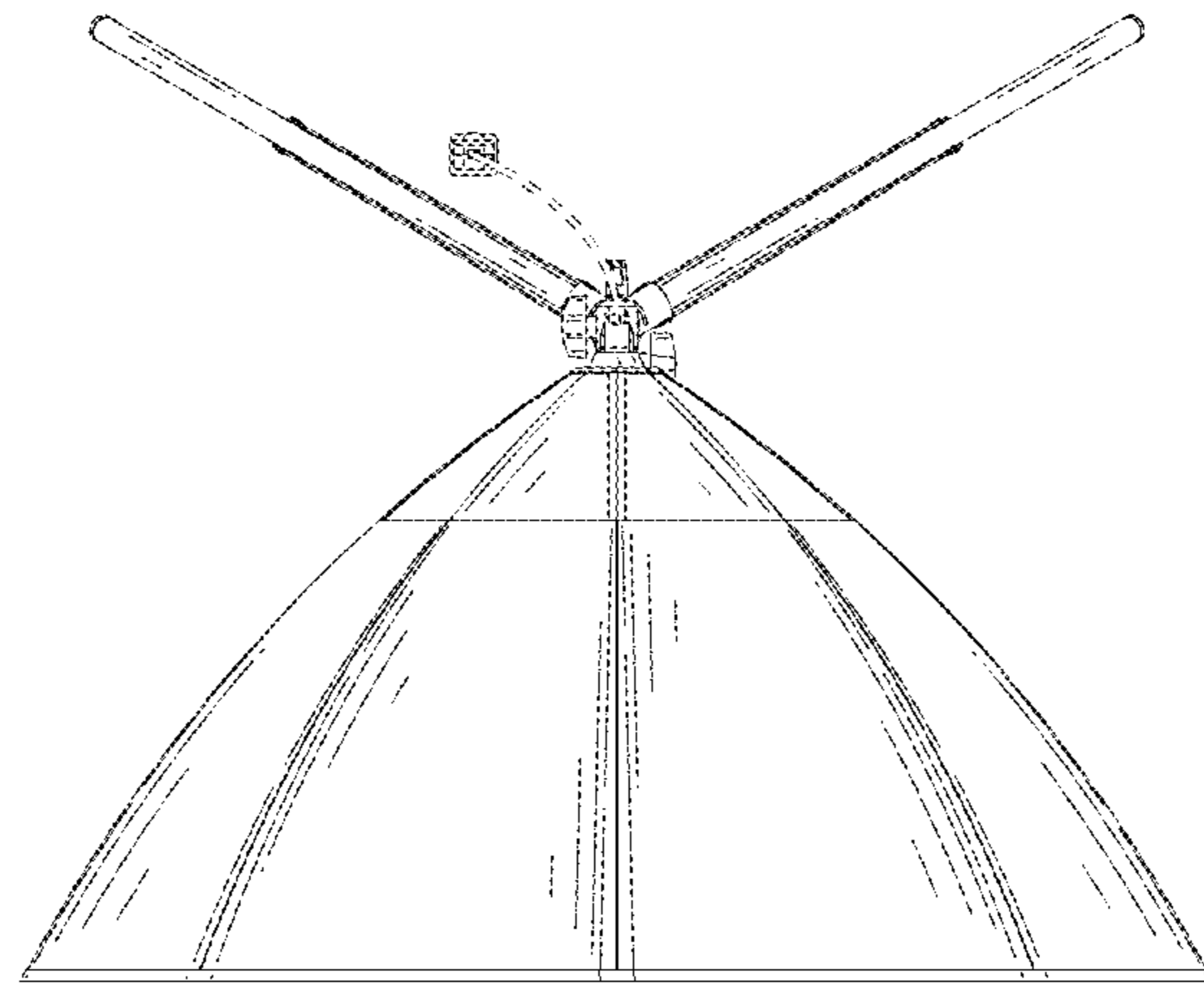


FIG. 7

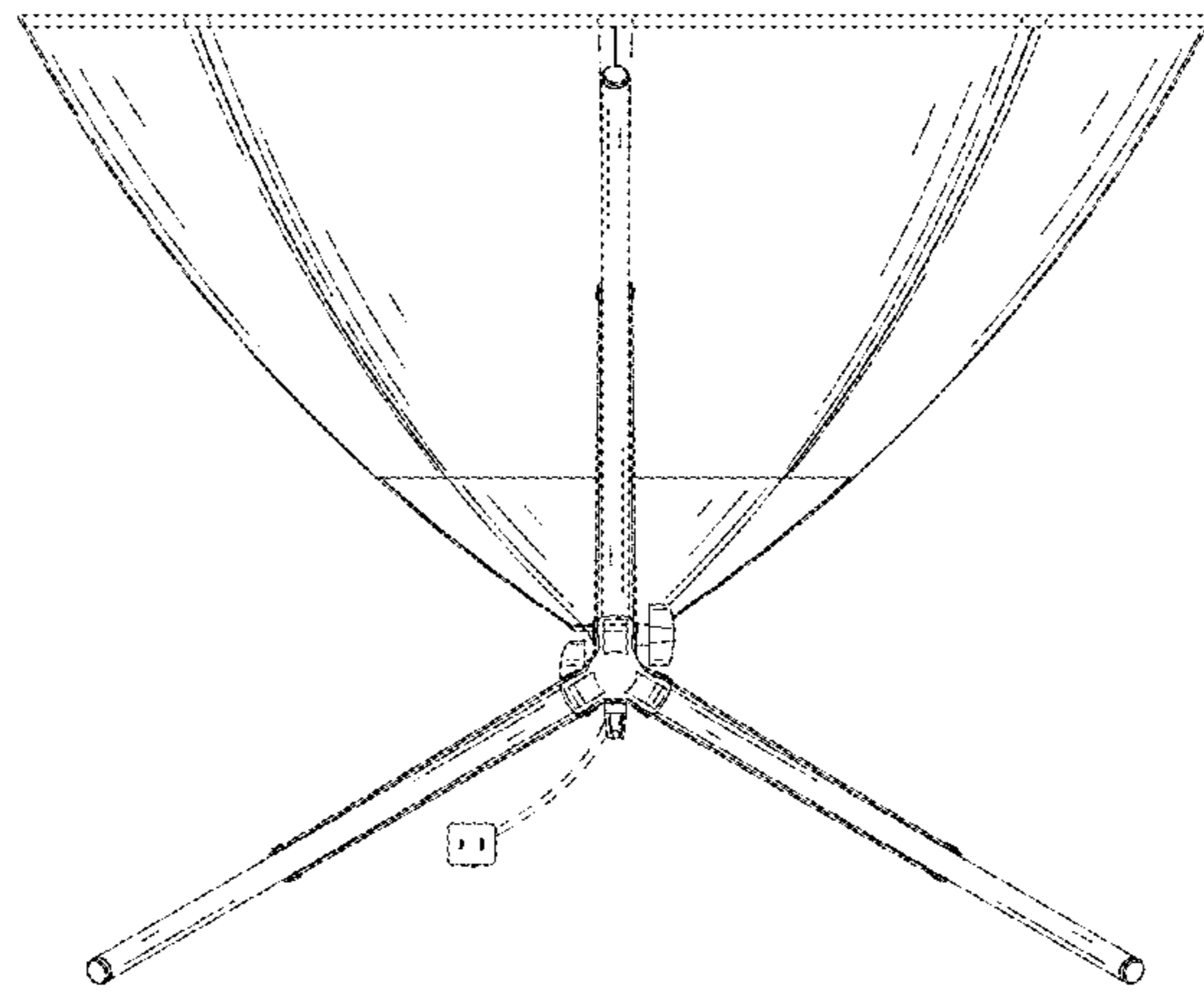


FIG. 8



FIG. 9

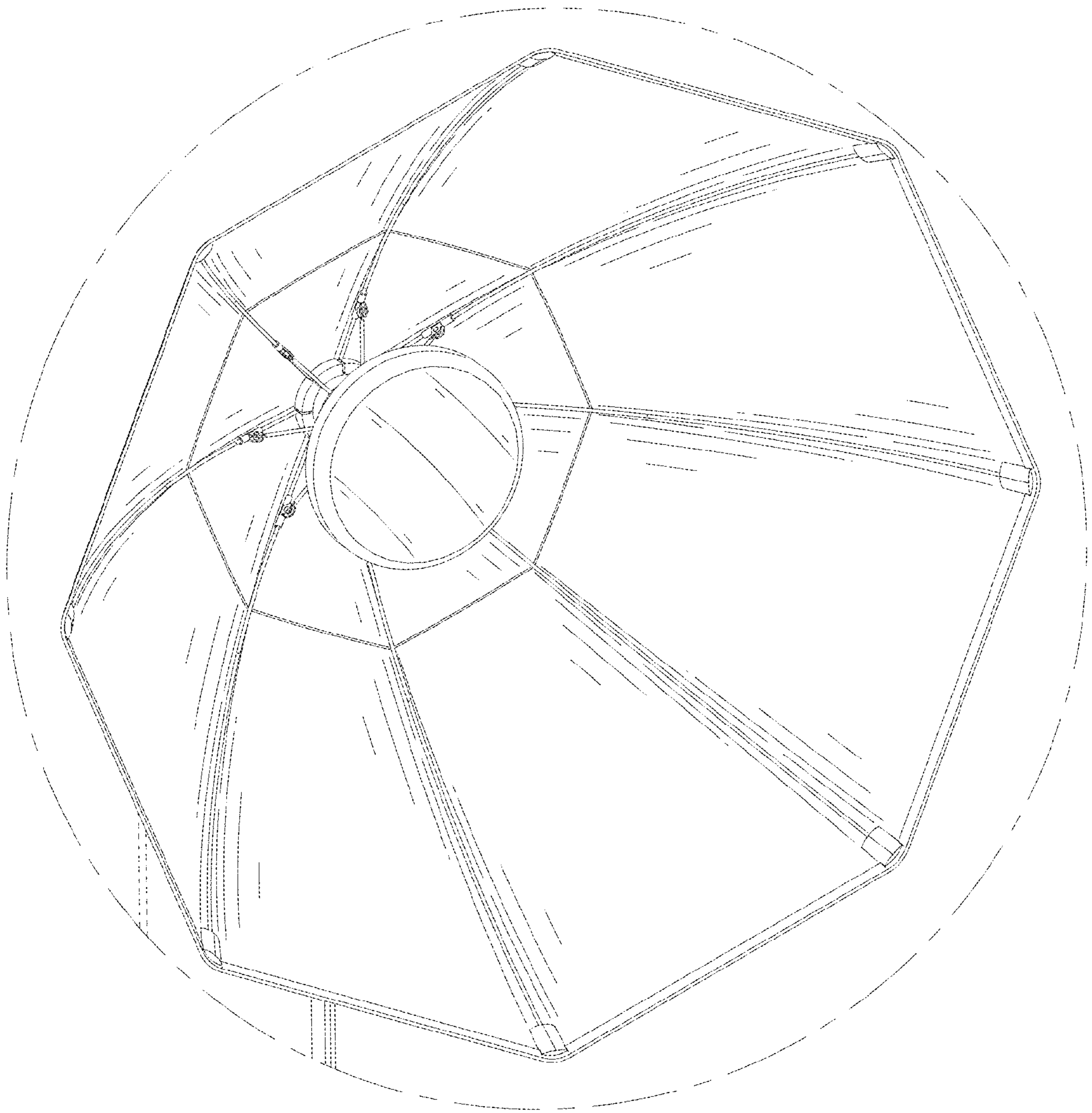


FIG. 10

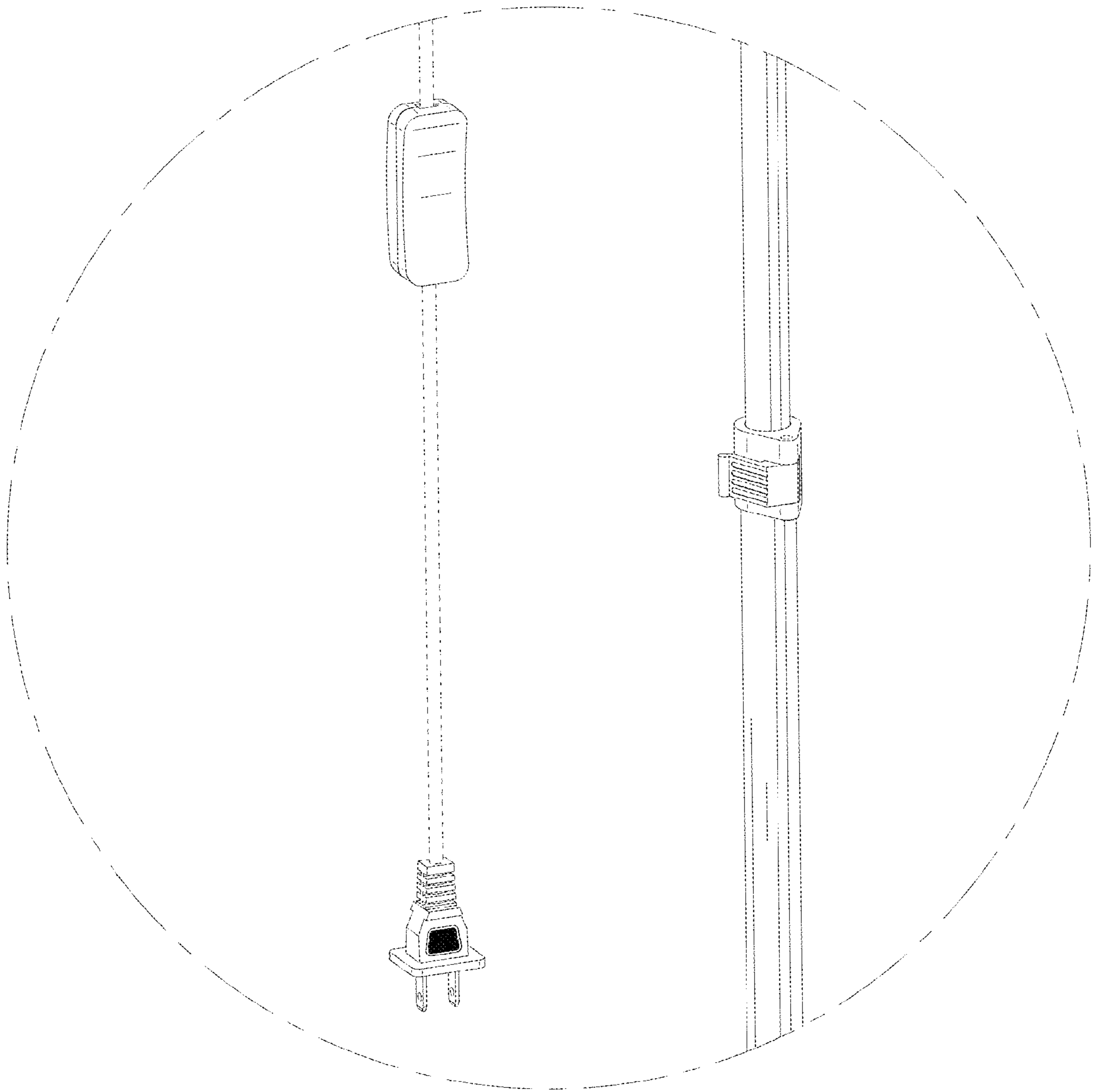


FIG. 11

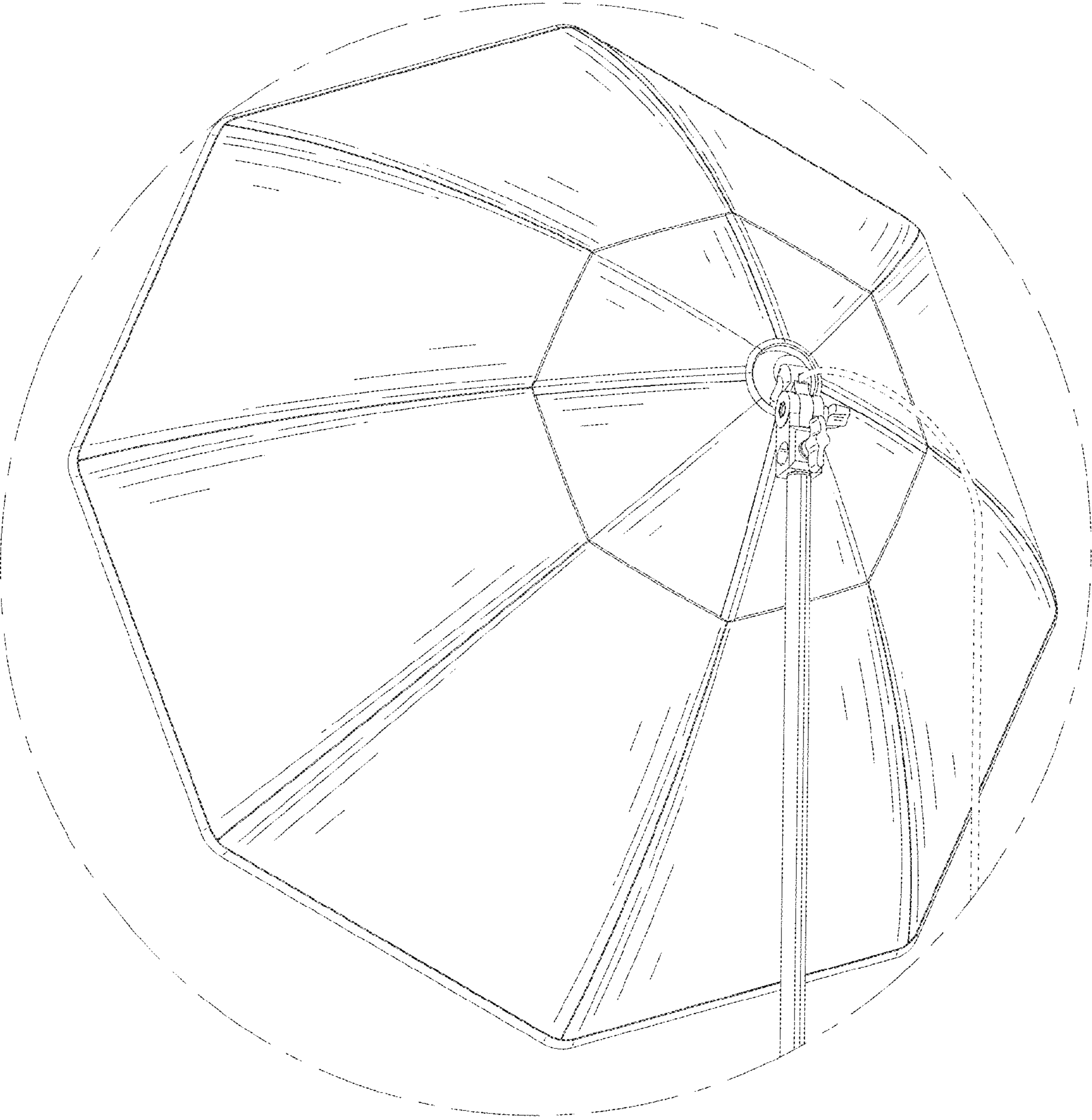


FIG. 12