



US00D963025S

(12) **United States Design Patent** (10) **Patent No.:** **US D963,025 S**  
**Ruan** (45) **Date of Patent:** **\*\* Sep. 6, 2022**

(54) **BACKPACK CLIP MOUNT FOR CAMERA**

D758,473 S \* 6/2016 Costa ..... D16/242  
D759,147 S \* 6/2016 Harrison ..... D16/242  
9,360,742 B1 \* 6/2016 Harrison ..... F16M 13/02

(Continued)

(71) Applicant: **Hu Ruan**, Shenzhen (CN)

(72) Inventor: **Hu Ruan**, Shenzhen (CN)

(\*\*) Term: **15 Years**

FOREIGN PATENT DOCUMENTS

CN 303070060 \* 1/2015  
CN 304062095 \* 3/2017

(Continued)

(21) Appl. No.: **29/757,315**

(22) Filed: **Nov. 5, 2020**

OTHER PUBLICATIONS

(51) **LOC (13) Cl.** ..... **16-05**

(52) **U.S. Cl.**  
USPC ..... **D16/237**

(58) **Field of Classification Search**  
USPC ..... D16/136, 211, 214, 219, 235, 236, 237,  
D16/241, 242, 243, 245, 250, 334;  
D8/352, 353, 354, 381, 382, 387, 394;  
D14/217, 240, 432, 447, 451  
CPC .. G03B 17/561; G03B 17/563; G03B 17/566;  
G03B 17/565; F16M 11/041; F16M  
11/06; F16M 11/043; F16M 11/04; H04N  
5/2254; G02B 7/00; F16B 2/22; F16B  
2/005; A45F 5/02; A45F 2005/025; A45F  
2005/027; A45F 2200/0516; A45F  
2005/028; A45F 2200/0533; A42B 1/24;  
H04R 1/08; Y10T 24/1394  
See application file for complete search history.

MAXCAM Swivel Backpack Clip Mount, product available Mar. 19, 2021 [online], pictured review Oct. 7, 2021 [online], [site visited May 13, 2022]:URL:<https://www.amazon.com/gp/product/B08ZHDHGNF/ref=ox\_sc\_act\_title\_1?smid=A1M5P3DH94VBO&th=1> (Year: 2021).\*

(Continued)

*Primary Examiner* — Sanjeev Paul  
*Assistant Examiner* — Loryn K. Leblanc

(57) **CLAIM**

The ornamental design for a backpack clip mount for camera, as shown and described.

**DESCRIPTION**

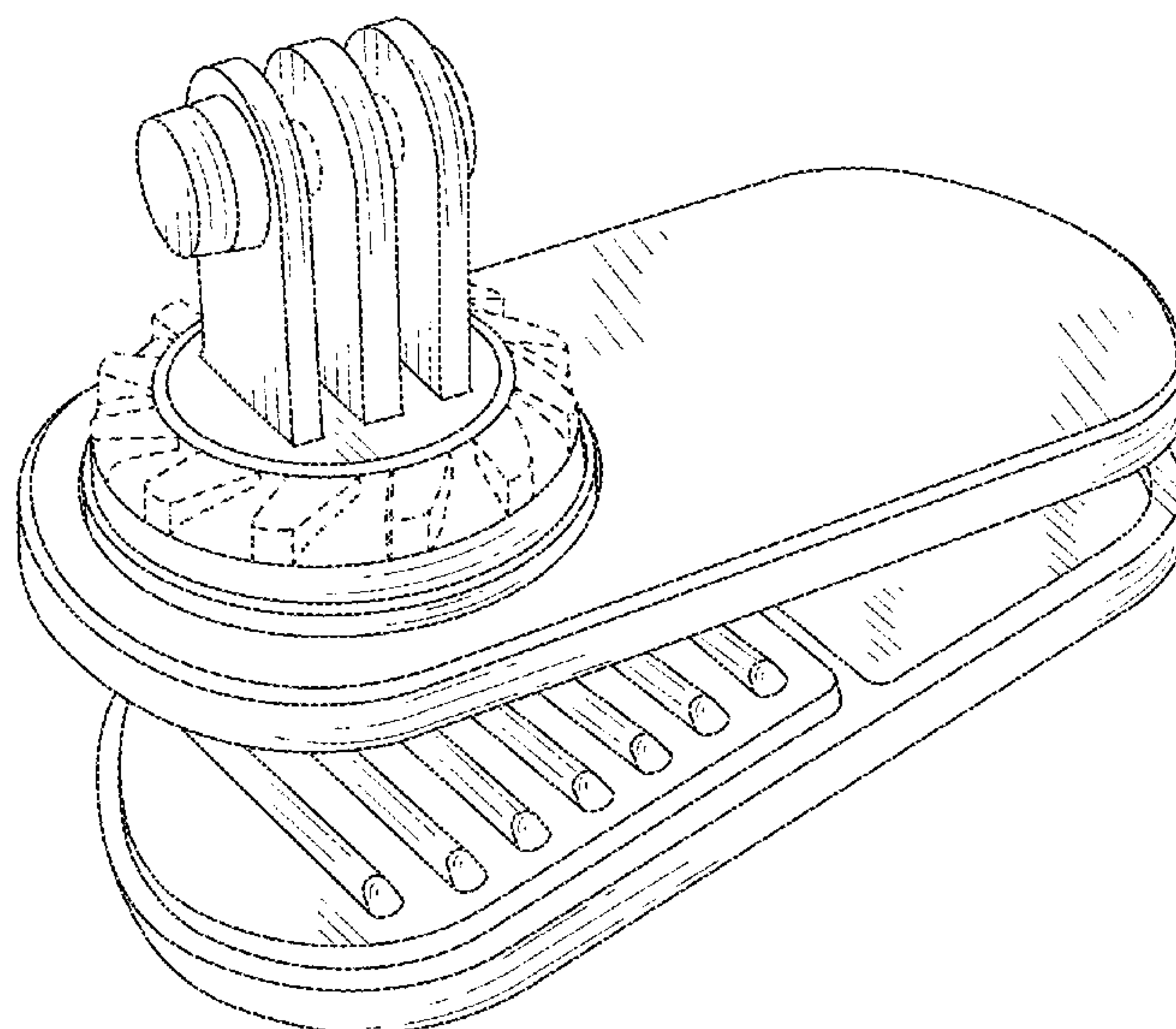
FIG. 1 is a perspective view of a backpack clip mount for camera showing my new design;  
FIG. 2 is a front elevational view thereof;  
FIG. 3 is a rear elevational view thereof;  
FIG. 4 is a left side elevational view thereof;  
FIG. 5 is a right side elevational view thereof;  
FIG. 6 is a top plan view thereof;  
FIG. 7 is a bottom plan view thereof; and,  
FIG. 8 is another perspective view of the backpack clip mount for camera in an open state thereof.  
The broken lines throughout the drawing figures depict portions of the backpack clip mount for camera that form no part of the claimed design.

(56) **References Cited**

U.S. PATENT DOCUMENTS

D98,924 S \* 3/1936 Fassin ..... D16/235  
D212,047 S \* 8/1968 Mankowski ..... D16/334  
5,103,384 A \* 4/1992 Drohan ..... F16M 13/022  
362/418  
D722,864 S \* 2/2015 Greenthal ..... D8/382  
D722,865 S \* 2/2015 Greenthal ..... D8/382  
9,030,606 B2 \* 5/2015 Campbell ..... G03B 17/08  
348/370  
D749,164 S \* 2/2016 Raccah ..... D16/242  
D757,842 S \* 5/2016 Harrison ..... D16/242

**1 Claim, 8 Drawing Sheets**



(56)

## References Cited

## U.S. PATENT DOCUMENTS

9,395,031	B1 *	7/2016	Clearman	.....	F16M 13/00
D764,566	S *	8/2016	Bennett	.....	D16/242
D773,551	S *	12/2016	Clearman	.....	D16/242
D776,745	S *	1/2017	Bennett	.....	D16/242
D795,326	S *	8/2017	Martin	.....	D16/242
D809,052	S *	1/2018	Martin	.....	D16/242
9,920,876	B2 *	3/2018	Prugue	.....	G03B 17/561
D823,925	S *	7/2018	Hatcher	.....	D16/242
10,104,928	B2 *	10/2018	Volmer	.....	F16B 2/22
D833,511	S *	11/2018	Paterson	.....	D16/242
D837,867	S *	1/2019	Martin	.....	D16/242
D841,721	S *	2/2019	Muhlenkamp, IV	.....	D16/242
D842,360	S *	3/2019	Achenbach	.....	D16/242
D857,785	S *	8/2019	Lovisone	.....	D16/242
D859,506	S *	9/2019	Huang	.....	D16/237
10,492,593	B2 *	12/2019	Mainini	.....	A45F 5/02
D880,571	S *	4/2020	Harrison	.....	D16/242
10,736,407	B1 *	8/2020	Jin	.....	H04M 1/04
10,959,508	B1 *	3/2021	Phillips	.....	A45F 5/02
10,980,304	B2 *	4/2021	Volmer	.....	F21L 4/04
D921,095	S *	6/2021	Alberstein	.....	D16/242
11,163,220	B2 *	11/2021	Tseng	.....	G03B 17/566
2015/0316205	A1 *	11/2015	Bennett	.....	G03B 17/563 224/181
2017/0067597	A1 *	3/2017	Prugue	.....	B62J 11/00
2017/0208888	A1 *	7/2017	Volmer	.....	H04R 1/08

## FOREIGN PATENT DOCUMENTS

CN	304082026	*	3/2017
CN	304104956	*	4/2017
CN	304275326	*	9/2017
CN	304630545	*	5/2018
CN	304727317	*	7/2018
CN	304812059	*	9/2018
CN	306130312	*	10/2020
CN	306197226	*	11/2020
CN	306303462	*	1/2021
CN	306470128	*	4/2021
DE	402012005631-0001	*	4/2013
EM	004549384-0002	*	3/2018
EM	007298708-0053	*	1/2020
EM	008264451-0001	*	11/2020
EM	008586085-0001	*	6/2021
EM	008635858-0003	*	8/2021
GB	9002850271-0002	*	6/2015
GB	9002753749-0001	*	8/2015
GB	9004025708-0001	*	5/2017
GB	9007298708-0054	*	11/2019
KR	300449653.0000	*	5/2007

## OTHER PUBLICATIONS

GoPro Magnetic Swivel Clip, product available Feb. 1, 2020 [online], pictured review Jun. 9, 2020 [online], [site visited May 13, 2022]:URL:<[https://www.amazon.com/gp/product/B083LS7N8P/ref=sw\\_img\\_1?smid=ATVPDKIKX0DER&psc=1](https://www.amazon.com/gp/product/B083LS7N8P/ref=sw_img_1?smid=ATVPDKIKX0DER&psc=1)> (Year: 2020).\*

PGYTECH Action Camera Strap Holder Clips, product available Feb. 19, 2019 [online], pictured review Nov. 8, 2020 [online], [site visited May 13, 2022]:URL:<[https://www.amazon.com/gp/product/B07NZT87Y4/ref=sw\\_img\\_1?smid=A13VA9R6U8U2ON&psc=1](https://www.amazon.com/gp/product/B07NZT87Y4/ref=sw_img_1?smid=A13VA9R6U8U2ON&psc=1)> (Year: 2019).\*

360 Degree Rotary Backpack Hat Rec-Mounts Clip, product available Aug. 17, 2015 [online], pictured review Jun. 4, 2019 [online], [site visited May 13, 2022]:URL:<[https://www.amazon.com/gp/product/B0140E00J8/ref=ox\\_sc\\_act\\_title\\_1?smid=A16Q3SAAY2VIFW&psc=1](https://www.amazon.com/gp/product/B0140E00J8/ref=ox_sc_act_title_1?smid=A16Q3SAAY2VIFW&psc=1)>(Year: 2015).\*

PGYTECH Beetle Camera Clip, product available Sep. 18, 2021 [online], pictured review Jan. 31, 2021 [online], [site visited May 13, 2022]:URL:<[https://www.amazon.com/gp/product/B09FZ3HLHH/ref=sw\\_img\\_1?smid=A13VA9R6U8U2ON&psc=1](https://www.amazon.com/gp/product/B09FZ3HLHH/ref=sw_img_1?smid=A13VA9R6U8U2ON&psc=1)> (Year: 2021).\*

MiPremium Backpack Strap Clip Mount, product available Nov. 7, 2019 [online], video review May 8, 2021 [online], [site visited May 13, 2022]:URL:<[https://www.amazon.com/gp/product/B08151RQM7/ref=sw\\_img\\_1?smid=A3EBEN7W4WPKKA&psc=1](https://www.amazon.com/gp/product/B08151RQM7/ref=sw_img_1?smid=A3EBEN7W4WPKKA&psc=1)> (Year: 2019).\*

Sametop Backpack Strap Mount Quick Clip Mount, product available Feb. 15, 2016 [online], pictured review May 9, 2016 [online], [site visited May 13, 2022]:URL:<[https://www.amazon.com/gp/product/B01BSE454S/ref=sw\\_img\\_1?smid=A14QUPNGMOONW5&psc=1](https://www.amazon.com/gp/product/B01BSE454S/ref=sw_img_1?smid=A14QUPNGMOONW5&psc=1)> (Year: 2016).\*

Pellking Head Strap Mount Backpack Clip, product available Mar. 24, 2022 [online], no video/pictured review [online], [site visited May 13, 2022]:URL:<[https://www.amazon.com/gp/product/B09WCTHKF8/ref=sw\\_img\\_1?smid=A2AQVCO30RO7PO&psc=1](https://www.amazon.com/gp/product/B09WCTHKF8/ref=sw_img_1?smid=A2AQVCO30RO7PO&psc=1)> (Year: 2022).\*

Backpack Strap Quick Clip Mount, product available Jan. 7, 2021 [online], pictured review Nov. 5, 2019 [online], [site visited May 13, 2022]:URL:<[https://www.amazon.com/gp/product/B08SBVRYVH/ref=sw\\_img\\_1?smid=A3OUDPJCHZLQ3L&psc=1](https://www.amazon.com/gp/product/B08SBVRYVH/ref=sw_img_1?smid=A3OUDPJCHZLQ3L&psc=1)> (Year: 2021).\*

9.Solutions Action Camera Flat Clamp, product available date unknown [online], no video/pictured review [online], [site visited May 13, 2022]:URL:<[https://www.bhphotovideo.com/c/product/1216023-REG/9\\_solutions\\_9\\_xa1013\\_action\\_camera\\_flat\\_clamp.html](https://www.bhphotovideo.com/c/product/1216023-REG/9_solutions_9_xa1013_action_camera_flat_clamp.html)> (Year: 2022).\*

MAXCAM Aluminum Action Camera Backpack Clip Mount, video review Mar. 12, 2020 [online], [site visited May 13, 2022]:URL:<<https://www.youtube.com/watch?v=XScJ-hCkCFA>> (Year: 2020).\*

\* cited by examiner



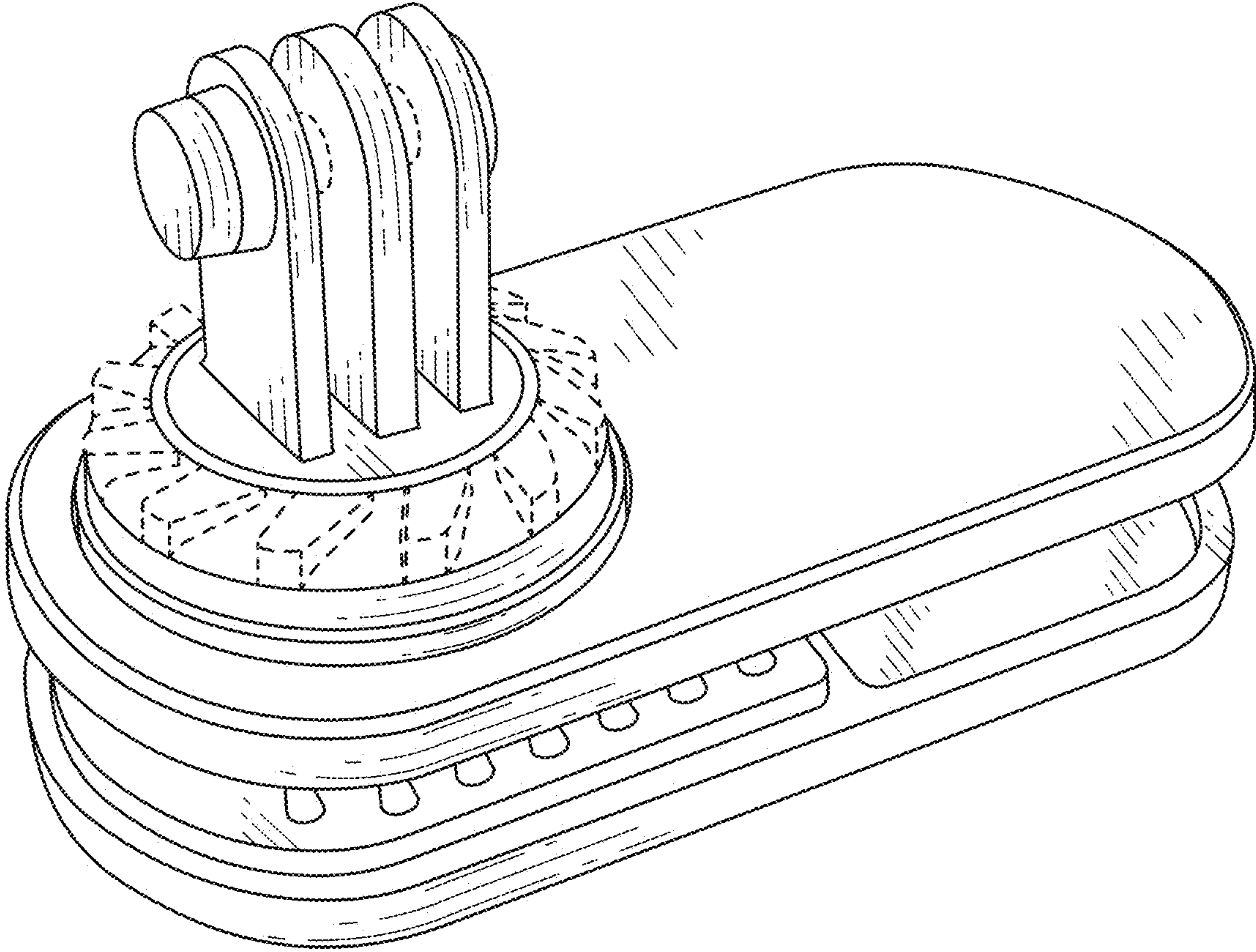


FIG.1

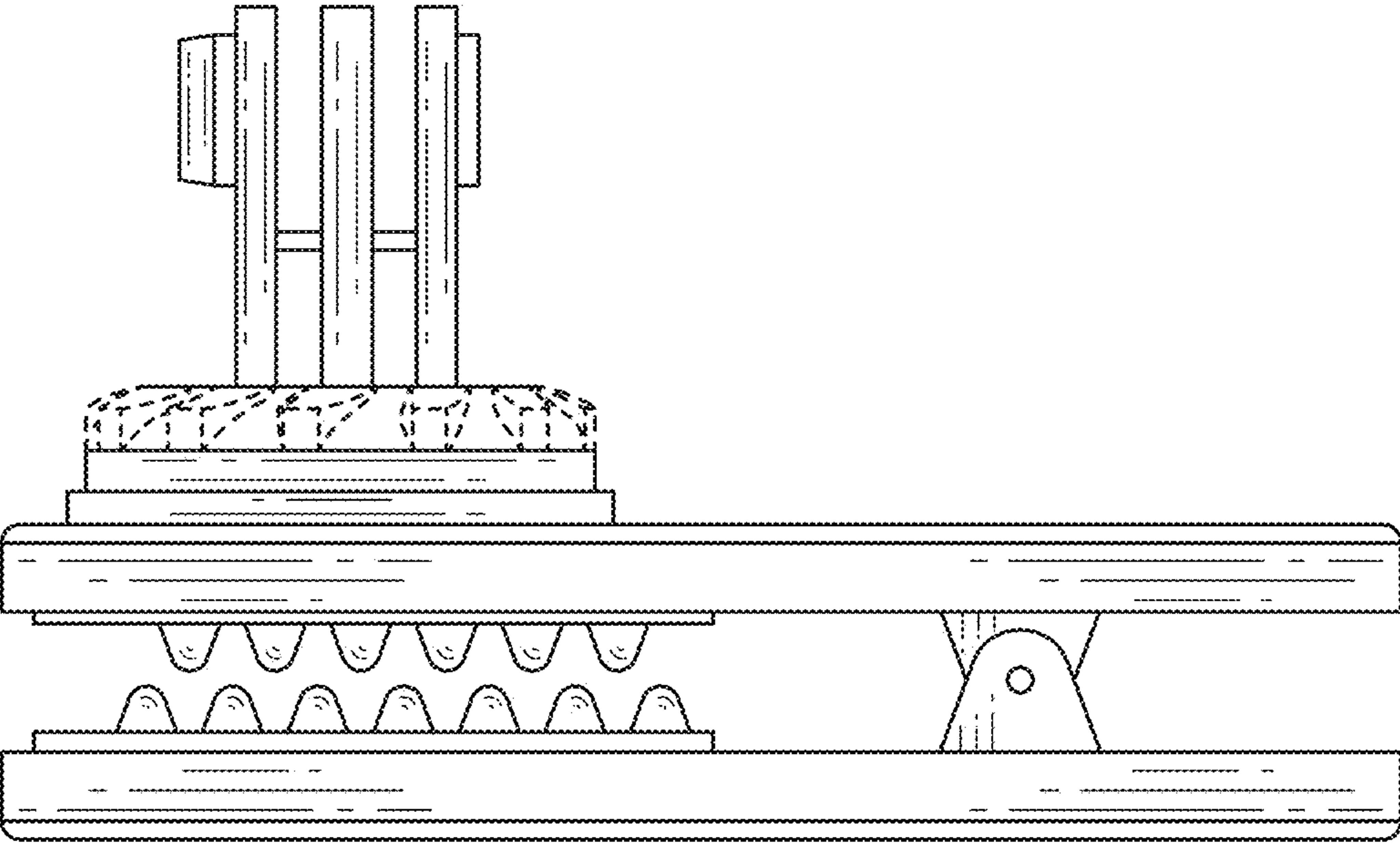


FIG.2

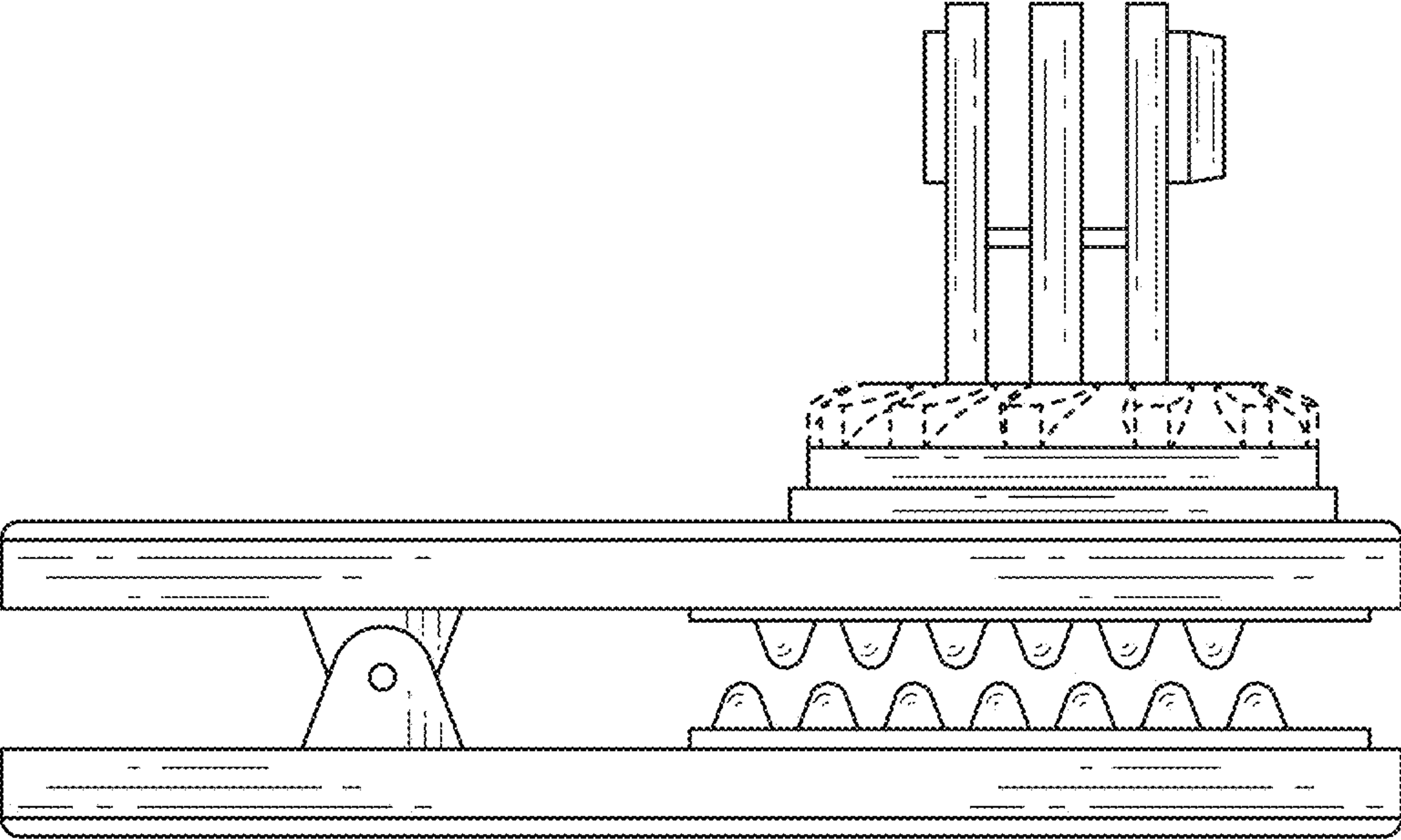


FIG.3

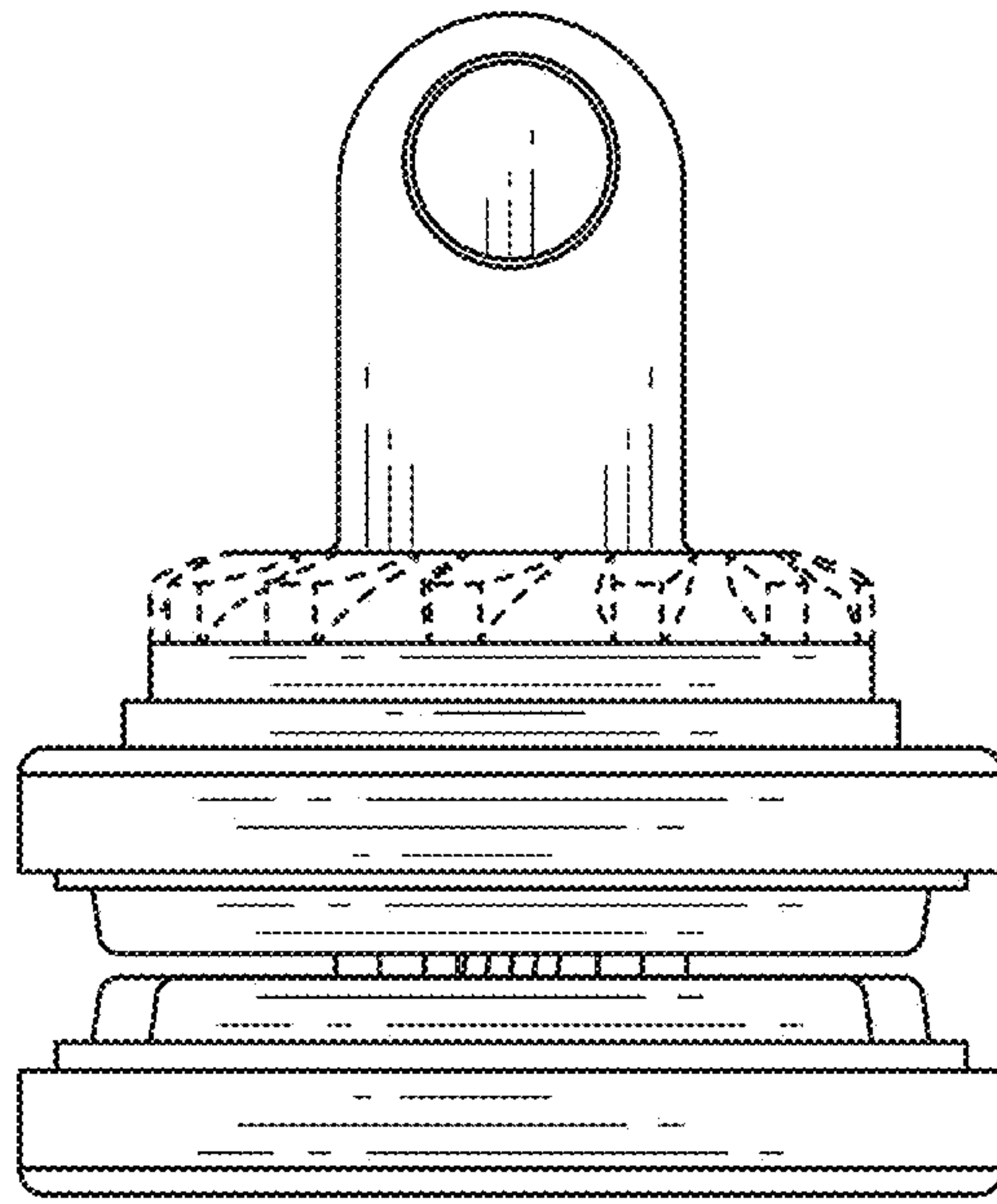


FIG.4

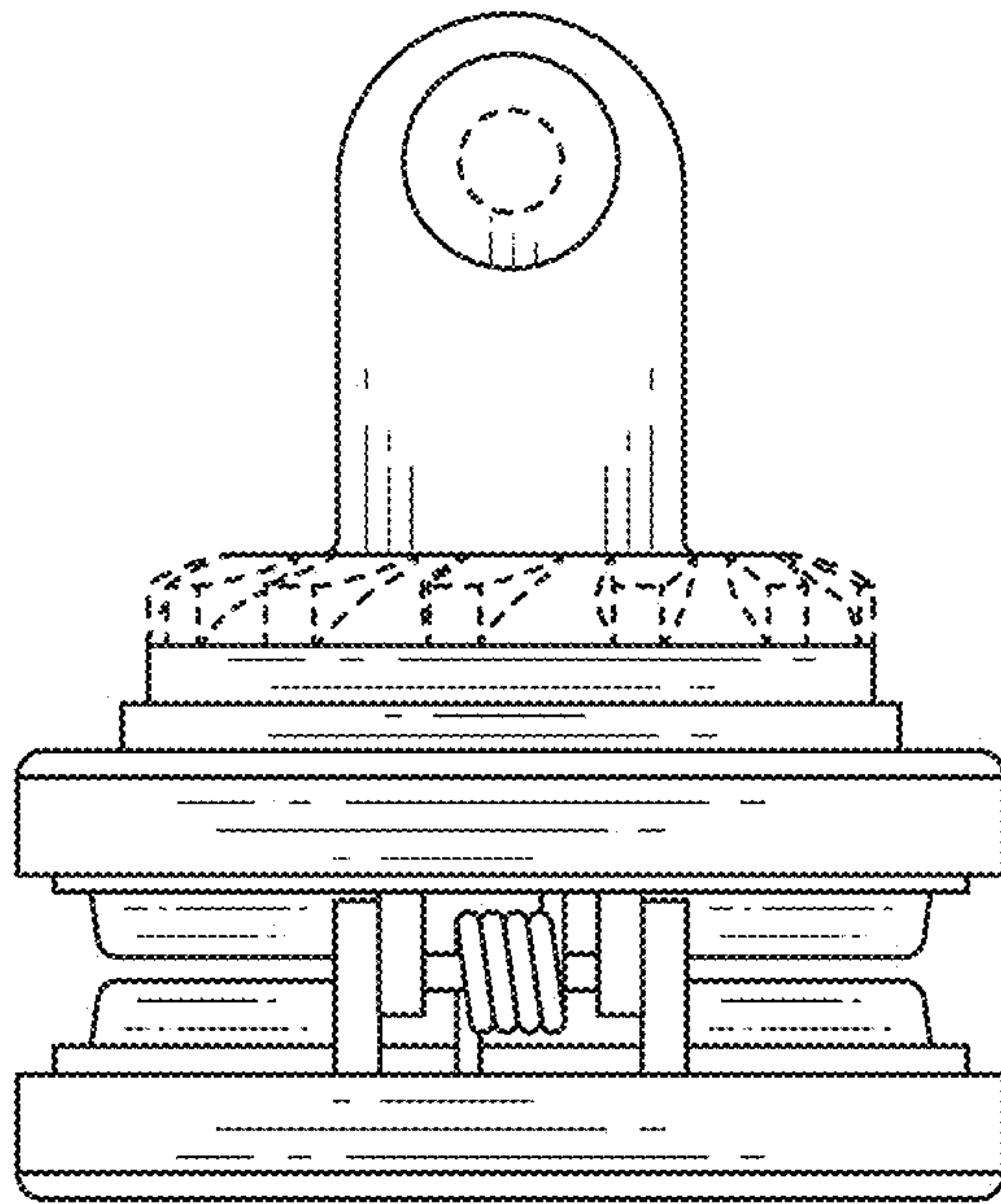


FIG.5

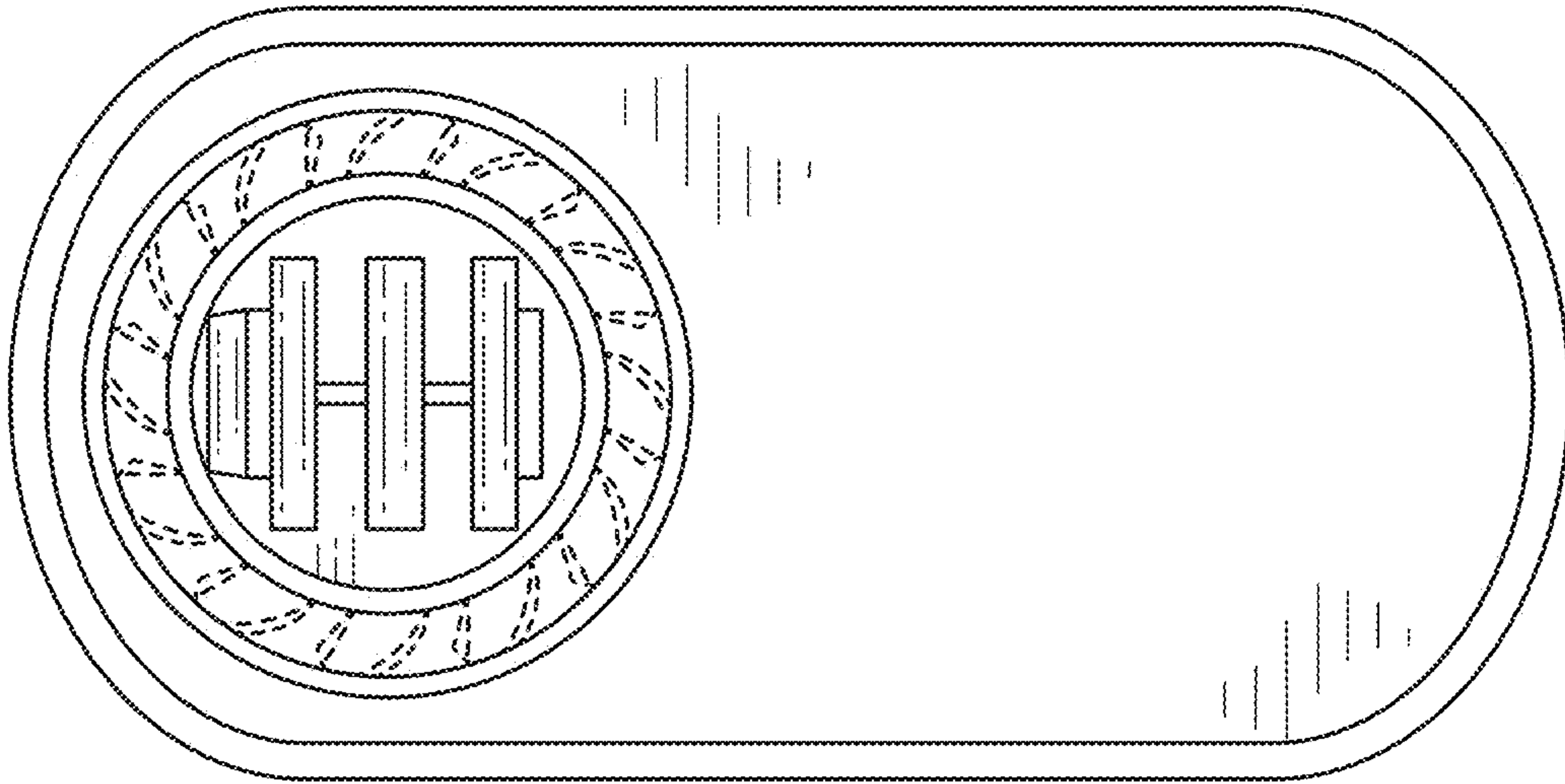


FIG.6



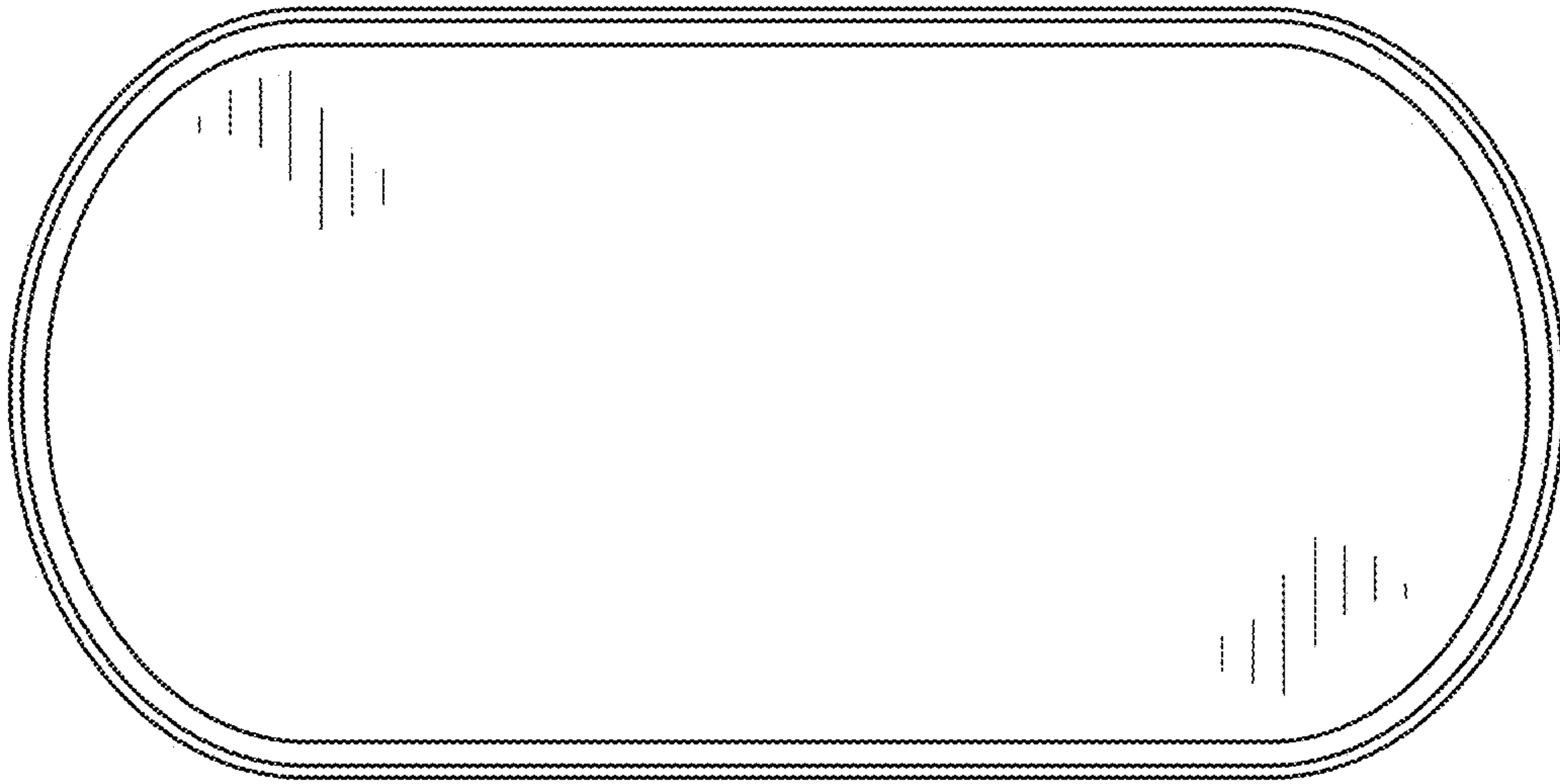


FIG.7

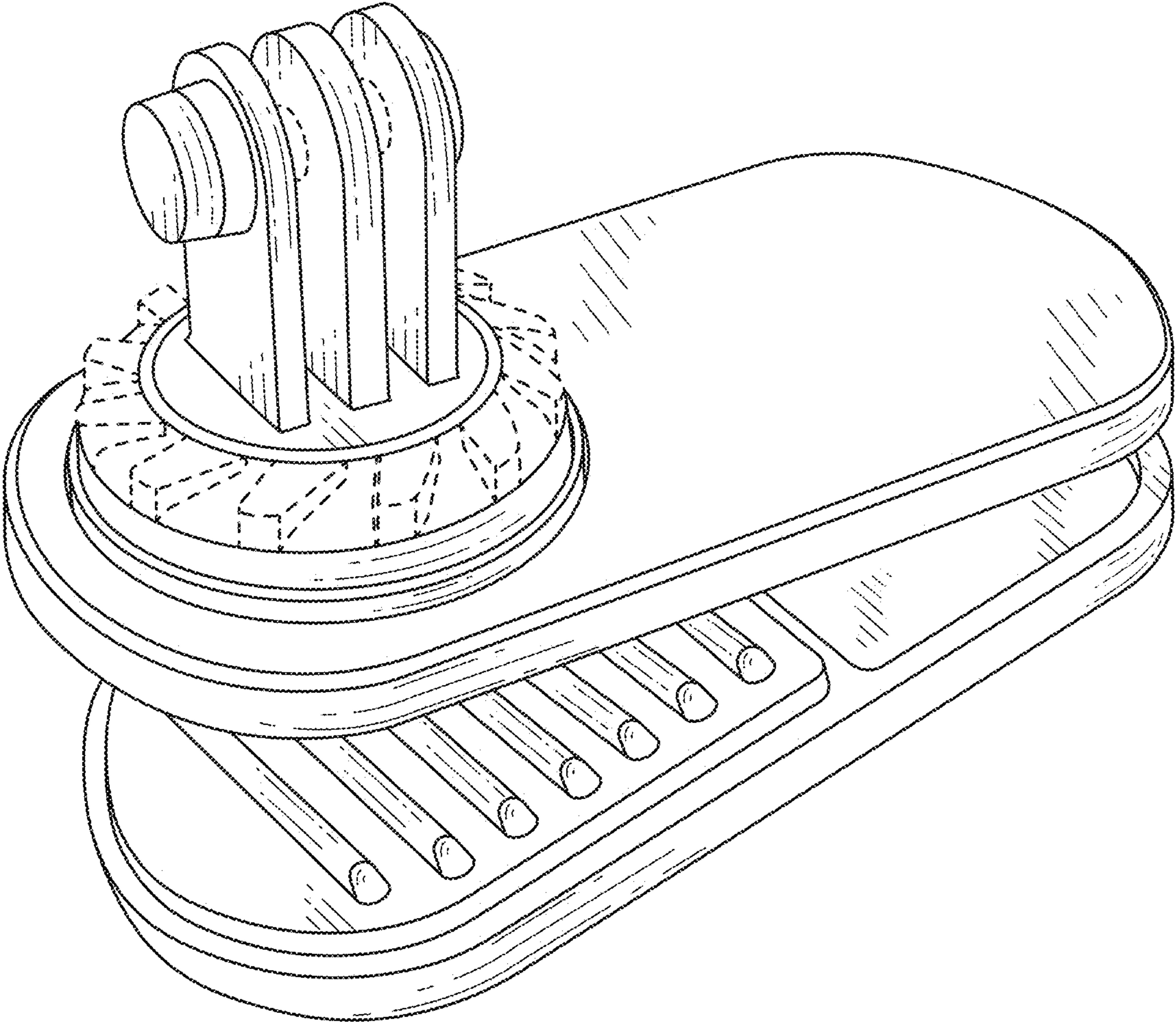


FIG.8