



US00D963023S

(12) **United States Design Patent**  
**Todd et al.**

(10) **Patent No.:** **US D963,023 S**  
(45) **Date of Patent:** **\*\* Sep. 6, 2022**

(54) **CAMERA HOUSING**

FOREIGN PATENT DOCUMENTS

(71) Applicant: **GoPro, Inc.**, San Mateo, CA (US)  
(72) Inventors: **Jordan Todd**, Piedmont, CA (US);  
**Matthew David Thomas**, Castro Valley, CA (US); **Daniel J. Coster**, Oakura (NZ); **Bessy Liang**, San Jose, CA (US); **Huy Phuong Nguyen**, Alpine, UT (US)

CN 302944108 5/2014  
CN 303933789 6/2016  
GB 4034453 3/2014

(73) Assignee: **GoPro, Inc.**, San Mateo, CA (US)

(\*\*) Term: **15 Years**

(21) Appl. No.: **29/835,094**

(22) Filed: **Apr. 15, 2022**

**Related U.S. Application Data**

(62) Division of application No. 29/817,137, filed on Nov. 29, 2021, which is a division of application No. 29/744,859, filed on Jul. 31, 2020.

(51) **LOC (13) Cl.** ..... **16-05**

(52) **U.S. Cl.**  
USPC ..... **D16/219**

(58) **Field of Classification Search**  
USPC ..... D16/200, 202–208, 218, 219, 242;  
348/164, 373–376; 396/448, 535,  
396/539–541  
CPC ..... G03B 17/02; G03B 19/04; G03B 17/56;  
G03B 17/04; G03B 15/03; H04N 5/2251;  
H04N 5/2252; H04N 5/2253; H04N  
5/2254; H04N 7/181; H04N 7/183; H04N  
7/18; G08B 13/1963; G08B 13/19619;  
G08B 13/19632; F16M 11/04; F16M  
13/00

See application file for complete search history.

(56) **References Cited**

**U.S. PATENT DOCUMENTS**

679,881 A 8/1901 Bullard  
1,467,556 A 9/1923 Nagel

(Continued)

OTHER PUBLICATIONS

Action Video Suction Cup. [online] Published date Oct. 23, 2014. Retrieved on Nov. 2, 2016 from <URL: <https://www.amazon.com/Suction-Locking-JOBY-Easy-Anti-Vibration-Cameras/dp/B0008R7A72/ref=pd\_sim\_421\_2?encoding=UTF8&pd\_rd\_i=B0008R7A72&pd\_rd\_r=AGCVZH2ZHQKHT5BBX2GZ&pd\_rd\_w=7Jkpc&pd\_rd\_wg=OMkYF&psc=1&refRID=AGCVZH2ZHQKHT5BBX2GZ>. (9 pages).

(Continued)

*Primary Examiner* — Ramzi Almatrahi

(74) *Attorney, Agent, or Firm* — Young Basile Hanlon & MacFarlane, P.C.

(57) **CLAIM**

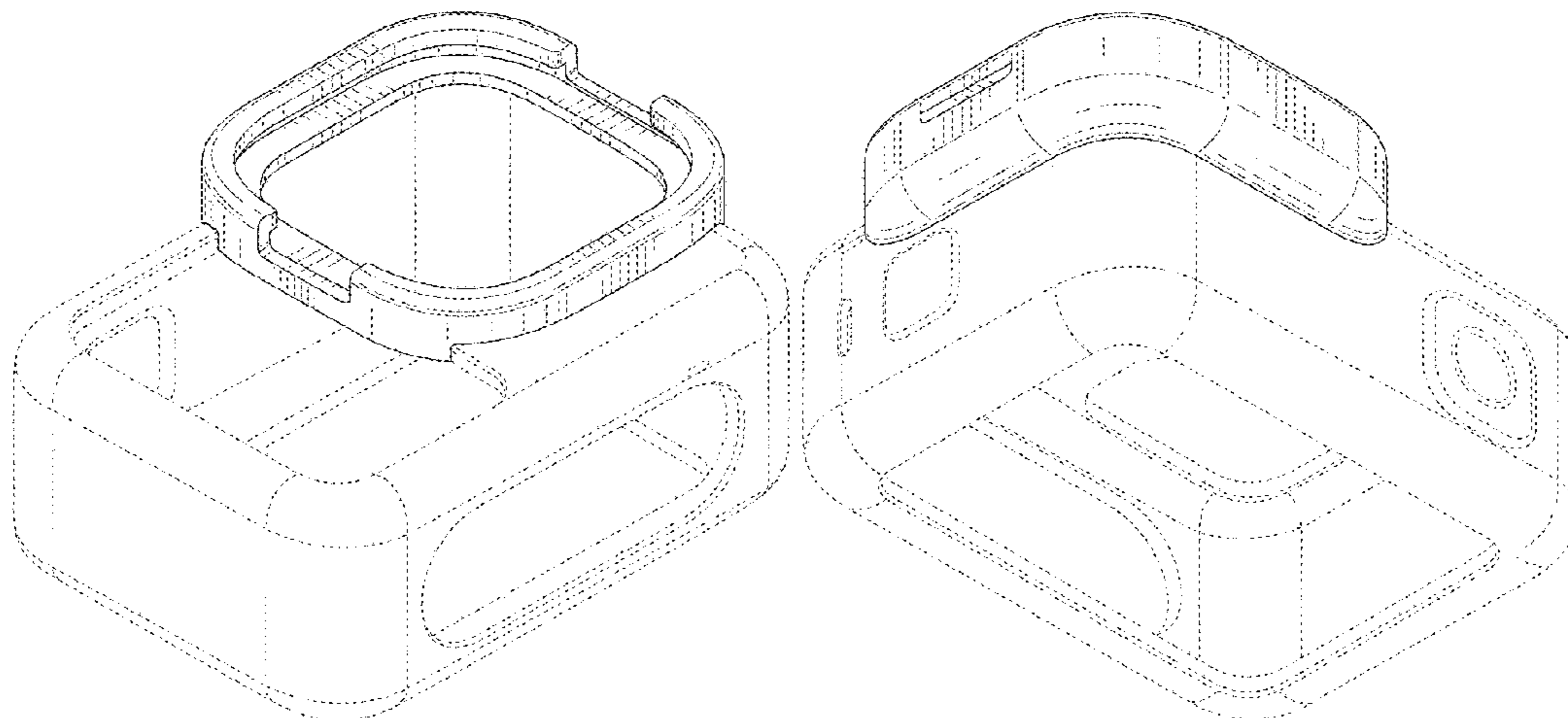
The ornamental design for a camera housing, as shown and described.

**DESCRIPTION**

FIG. 1 is a bottom, front and left side perspective view of a camera housing showing our new design; FIG. 2 is a top, rear and right side perspective view thereof; FIG. 3 is a front view thereof; FIG. 4 is a rear view thereof; FIG. 5 is a top view thereof; FIG. 6 is a bottom view thereof; FIG. 7 is a right view thereof; and, FIG. 8 is a left view thereof.

The broken lines depict portions of the camera housing in which the design is embodied that form no part of the claimed design.

**1 Claim, 7 Drawing Sheets**



(56)

References Cited

U.S. PATENT DOCUMENTS

1,612,277	A	12/1926	Leo	D759,145	S	6/2016	Lee	
2,336,104	A	12/1943	Laube	D760,309	S	6/2016	Parfitt	
4,341,452	A	7/1982	Korling	D760,312	S	6/2016	Lee	
D265,829	S	8/1982	Shimoda	9,360,742	B1	6/2016	Harrison	
4,646,141	A	2/1987	Timmermans	D762,759	S	8/2016	Wu	
4,763,151	A	8/1988	Klinger	D763,941	S	8/2016	Smith	
D298,760	S	11/1988	Yoshida	D768,228	S	10/2016	Muhlenkamp, IV	
5,092,552	A	3/1992	Dayton	D768,752	S	10/2016	Silver	
5,325,139	A	6/1994	Matsumoto	D768,754	S	10/2016	Bennett	
D349,126	S	7/1994	Lee	D769,346	S	10/2016	Nguyen	
5,353,079	A	10/1994	Sakai	D773,546	S	12/2016	Nguyen	
5,576,781	A	11/1996	Deleeuw	D776,738	S	1/2017	Clearman	
5,738,321	A	4/1998	Moriyasu	D776,741	S	1/2017	Parfitt	
D441,386	S	5/2001	Yamazaki	D777,239	S	1/2017	Costa	
6,347,893	B1	2/2002	Shiono	D778,335	S	* 2/2017	Gioscia	D16/200
D469,338	S	1/2003	Chace	D783,079	S	4/2017	Lee	
D491,968	S	6/2004	Isshiki	D785,068	S	4/2017	Patsis	
D492,953	S	7/2004	Mitsuse	9,635,226	B2	4/2017	Samuels	
D499,131	S	11/2004	Tania	D785,696	S	5/2017	Parfitt	
D504,904	S	5/2005	Nagai	D785,697	S	5/2017	Costa	
D515,121	S	2/2006	Bleau	D789,435	S	* 6/2017	Nguyen	D16/202
D550,741	S	9/2007	Vernon	D789,999	S	* 6/2017	Yakabe	D16/200
D563,486	S	3/2008	Slater	D790,000	S	6/2017	Wang	
D582,955	S	12/2008	Sekine	D790,002	S	6/2017	Nguyen	
7,537,399	B2	5/2009	Mayumi	D800,815	S	10/2017	Clearman	
D594,050	S	6/2009	Grtnr	D800,819	S	10/2017	Parfitt	
7,621,680	B2	11/2009	Frick	9,816,666	B2	11/2017	Wang	
D616,480	S	5/2010	Ookawa	D806,775	S	1/2018	Nguyen	
8,014,656	B2	9/2011	Woodman	D808,163	S	1/2018	Song	
D646,313	S	10/2011	Woodman	9,880,451	B2	1/2018	Clearman	
D647,554	S	10/2011	Yim	9,894,278	B2	2/2018	Wei	
D647,935	S	11/2011	Raken	9,894,279	B2	2/2018	Wei	
D653,687	S	2/2012	Yu	9,903,533	B2	2/2018	Wei	
D657,808	S	4/2012	Woodman	D816,751	S	5/2018	Harrison	
D674,428	S	1/2013	Woodman	D819,117	S	5/2018	Lee	
D684,569	S	6/2013	Willenborg	D821,481	S	* 6/2018	Gioscia	D16/219
8,467,675	B2	6/2013	Chen	D827,696	S	9/2018	Crow	
D692,507	S	10/2013	Meys	D827,697	S	9/2018	Crow	
8,544,643	B2	10/2013	Yim	10,101,637	B2	10/2018	Peddecord	
8,596,890	B2	12/2013	Yim	D837,861	S	1/2019	Luo	
D699,276	S	2/2014	Samuels	D840,463	S	2/2019	Nguyen	
D699,277	S	2/2014	Samuels	D846,620	S	4/2019	Katori	
D702,747	S	4/2014	Woodman	D848,500	S	5/2019	Miyashita	
8,718,457	B2	5/2014	Clark	D849,084	S	5/2019	Hu	
D706,603	S	6/2014	Kokawa	D850,520	S	6/2019	Voss	
D710,921	S	8/2014	Gioscia	D854,597	S	7/2019	Gao	
D710,922	S	8/2014	Gioscia	D856,391	S	8/2019	Liu	
8,794,579	B2	8/2014	Sturman	D861,761	S	10/2019	Bergman	
D722,097	S	2/2015	Kim	D867,420	S	11/2019	Zhang	
D724,637	S	3/2015	Samuels	D868,131	S	* 11/2019	Hu	D16/200
D724,638	S	3/2015	Samuels	D868,871	S	12/2019	Nguyen	
D725,169	S	3/2015	Gioscia	D869,539	S	12/2019	Hu	
D727,387	S	4/2015	Hasegawa	D871,480	S	12/2019	Hu	
9,004,783	B1	4/2015	Woodman	D880,567	S	4/2020	Zhang	
D730,423	S	5/2015	Vandenbussche	D880,569	S	4/2020	Zhang	
D732,601	S	6/2015	Coyle	D881,254	S	* 4/2020	Guo	D16/202
D733,787	S	7/2015	Baker	D884,061	S	5/2020	Arens	
D733,788	S	7/2015	Baker	D888,792	S	6/2020	Luo	
D736,848	S	8/2015	Kim	D890,835	S	7/2020	Nguyen	
D737,647	S	9/2015	Elder	D904,498	S	12/2020	Lim	
D739,451	S	9/2015	Gioscia	D907,680	S	1/2021	Nguyen	
D740,876	S	10/2015	Woodman	D908,778	S	1/2021	Xu	
D745,589	S	12/2015	Lee	D909,450	S	2/2021	Grant	
D749,164	S	2/2016	Raccah	D911,411	S	2/2021	Coster	
D750,146	S	2/2016	Costa	D911,412	S	2/2021	Alberstein	
D750,680	S	3/2016	Chen	D912,120	S	3/2021	Druker	
D750,687	S	3/2016	Samuels	D920,419	S	5/2021	Muhlenkamp, IV	
D752,671	S	3/2016	Harrison	D921,084	S	6/2021	Muhlenkamp, IV	
D752,672	S	3/2016	Clearman	D924,297	S	7/2021	Imai	
9,282,226	B2	3/2016	Samuels	D925,643	S	* 7/2021	Hsu	D16/208
D754,230	S	4/2016	Mori	D926,853	S	8/2021	Wei	
D754,240	S	4/2016	Samuels	D929,489	S	8/2021	Coster	
D755,277	S	5/2016	Shnholz	D933,115	S	10/2021	Druker	
D758,474	S	6/2016	Harrison	D934,945	S	11/2021	Wu	
D759,141	S	6/2016	Bacon	D935,506	S	11/2021	Tan	
				D939,608	S	12/2021	Han	
				D941,904	S	1/2022	Coster	
				D946,071	S	* 3/2022	Muhlenkamp, IV	D16/200
				D946,072	S	* 3/2022	Muhlenkamp, IV	D16/200

(56)

References Cited

U.S. PATENT DOCUMENTS

2002/0046218	A1	4/2002	Gilbert
2007/0071423	A1	3/2007	Fantone
2008/0152337	A1	6/2008	Gartner
2011/0317065	A1	12/2011	Lin
2014/0185853	A1	7/2014	Aihara
2014/0198932	A1	7/2014	Parkins
2014/0226055	A1	8/2014	Schmidt
2015/0168815	A1	6/2015	Chen
2015/0316835	A1	11/2015	Scott
2015/0326748	A1	11/2015	Tisch
2016/0004142	A1	1/2016	Zhang
2016/0100083	A1	4/2016	Harrison
2016/0229556	A1	8/2016	Zhou
2016/0246162	A1	8/2016	Niemeyer
2017/0059967	A1	3/2017	Harrison
2017/0192341	A1	7/2017	Casarez
2019/0079373	A1	3/2019	Wang
2019/0161208	A1	5/2019	Sun

OTHER PUBLICATIONS

Google Express IGoPro Karma Harness for HERO4 Black/Silver Camera—AGFHA-001 , first reviewed on Mar. 17, 2017, © 2018 Google [online], [site visited Mar. 16, 2018]. Available from Internet, <URL: <https://goo.gl/hugSGv/>> 1 page.

GoPro i Shop i Mounts & Accessories, posted on Nov. 16, 2017, © 2018 GoPro, Inc. [online], [site visited Mar. 16, 2018]. Available from Internet, <URL: <https://shop.gopro.com/mounts-accessories/>> (13 Pgs).

GoPro The Frame for HERO5 Black, [online] Published date unknown. Retrieved on Oct. 26, 2016 from <URL: <https://www.bhphotovideo.com/c/product/1274422-REG/gopro.sub.--aafm.sub.--001.sub.--frame.sub.--for.sub.--hero5.html>>. 3 pages.

GoPro, “Karma Stabilizer,” Date Unknown, two pages. [Online] [Retrieved Nov. 2, 2016] Retrieved from the internet <<http://shop.gopro.com/accessories-2/karma-stabilizer/AGMBL-001.html>>. (2 pages).

Linxv i Action Camera Accessories i Action Camera Strap, posted on Jun. 4, 2016, © 2012 Avada [online], [site visited Mar. 16, 2018]. Available from Internet, <URL: <http://www.linxv.com/action-camera-accessories/action-camera-strap/>> (4 Pgs).

Silicon Sleeve Cases for the Frame of Your GoPro Hero 5 , retrieved from URL: <https://www.amazon.com/Silicone-Sleeve-Cases-Frame-Gopro/dp/B01NCQ3GOY>, retrieved Mar. 30, 2018 (6 pages).

Silicon Sleeve for GoPro Her04 Housing—Gocase, retrieved from URL: <https://www.gocase.com/products/silicon-sleeve-for-gopro-hero4-housing>, retrieved Mar. 30, 2018 (2 pages).

Silicone Sleeve Cases for The Frame of your GoPro Hero 5 (1x Frame / 1x Camera Case, Blue + Black), URL: [https://www.amazon.com/dp/B01MR00OPJ/ref=asc\\_df\\_B01MR00OPJ5357481/?tag=hyprod-20&creative=395033&creativeASIN=B01MR00OPJ&linkCode=df0&hvadid=167139098072&hvpos=1o1&hvnetw=g&hvrnd=8248390090609077295&hvpone=&hvptwo=&hvqmt=&hvdev=c&hvdvcmdl=&hvlocint=&hvlocphy=1014237&hvtargid=pla-332273337114](https://www.amazon.com/dp/B01MR00OPJ/ref=asc_df_B01MR00OPJ5357481/?tag=hyprod-20&creative=395033&creativeASIN=B01MR00OPJ&linkCode=df0&hvadid=167139098072&hvpos=1o1&hvnetw=g&hvrnd=8248390090609077295&hvpone=&hvptwo=&hvqmt=&hvdev=c&hvdvcmdl=&hvlocint=&hvlocphy=1014237&hvtargid=pla-332273337114), retrieved Mar. 30, 2018 (6 pages).

Suction Cup & Locking Arm. Online, published date unknown. Retrieved on Jan. 11, 2018 from URL: <https://joby.com/suction-cup-with-locking-arm> (1 page).

The Frame. [online] Published date unknown. Retrieved on Oct. 24, 2016 from <URL: <http://shop.gopro.com/accessories-2/the-frame/ANDFR-302.html>>. 3 pages.

United States Office Action, U.S. Appl. No. 29/548,666, dated Nov. 17, 2016, 8 pages.

\* cited by examiner

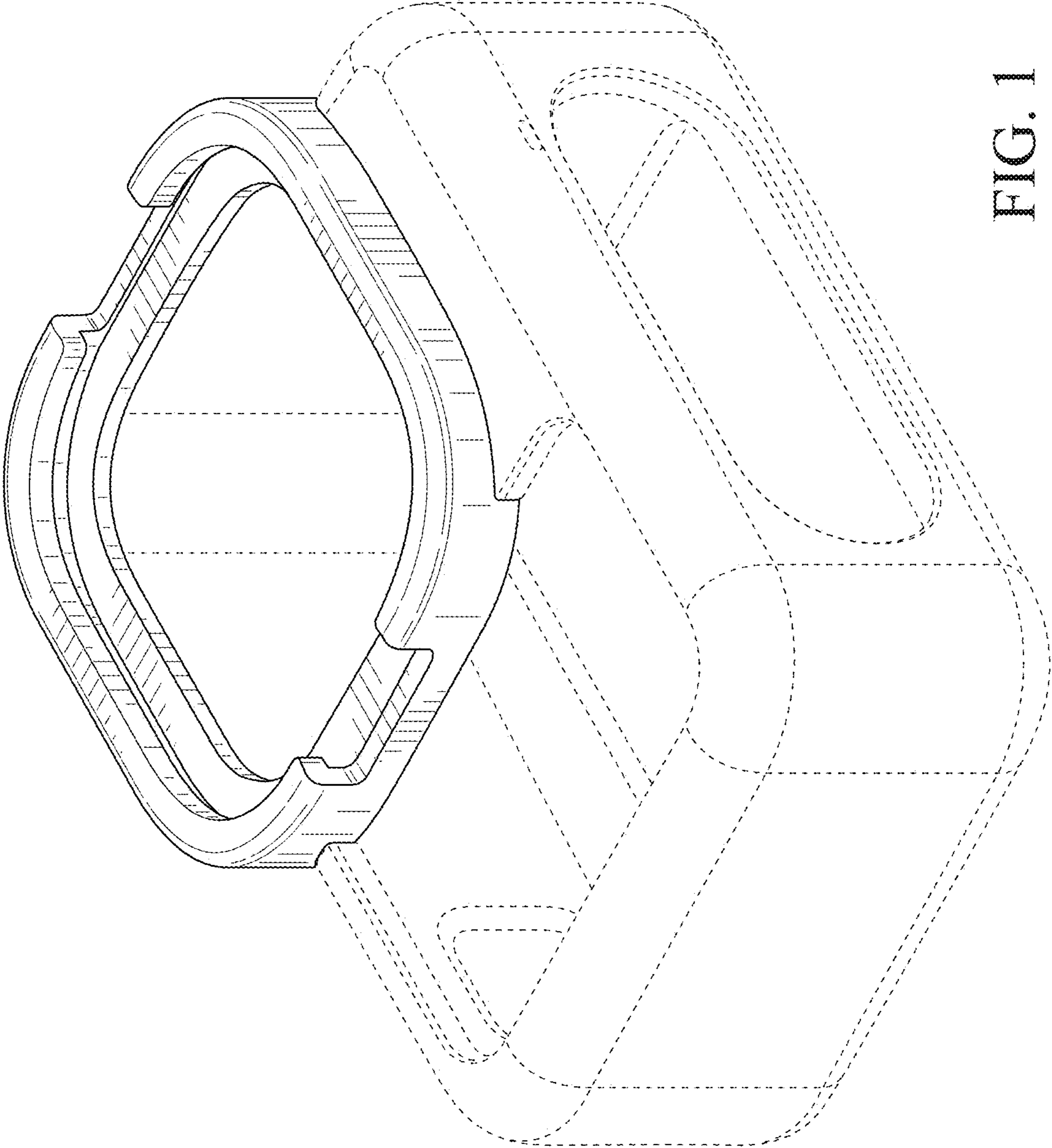


FIG. 1

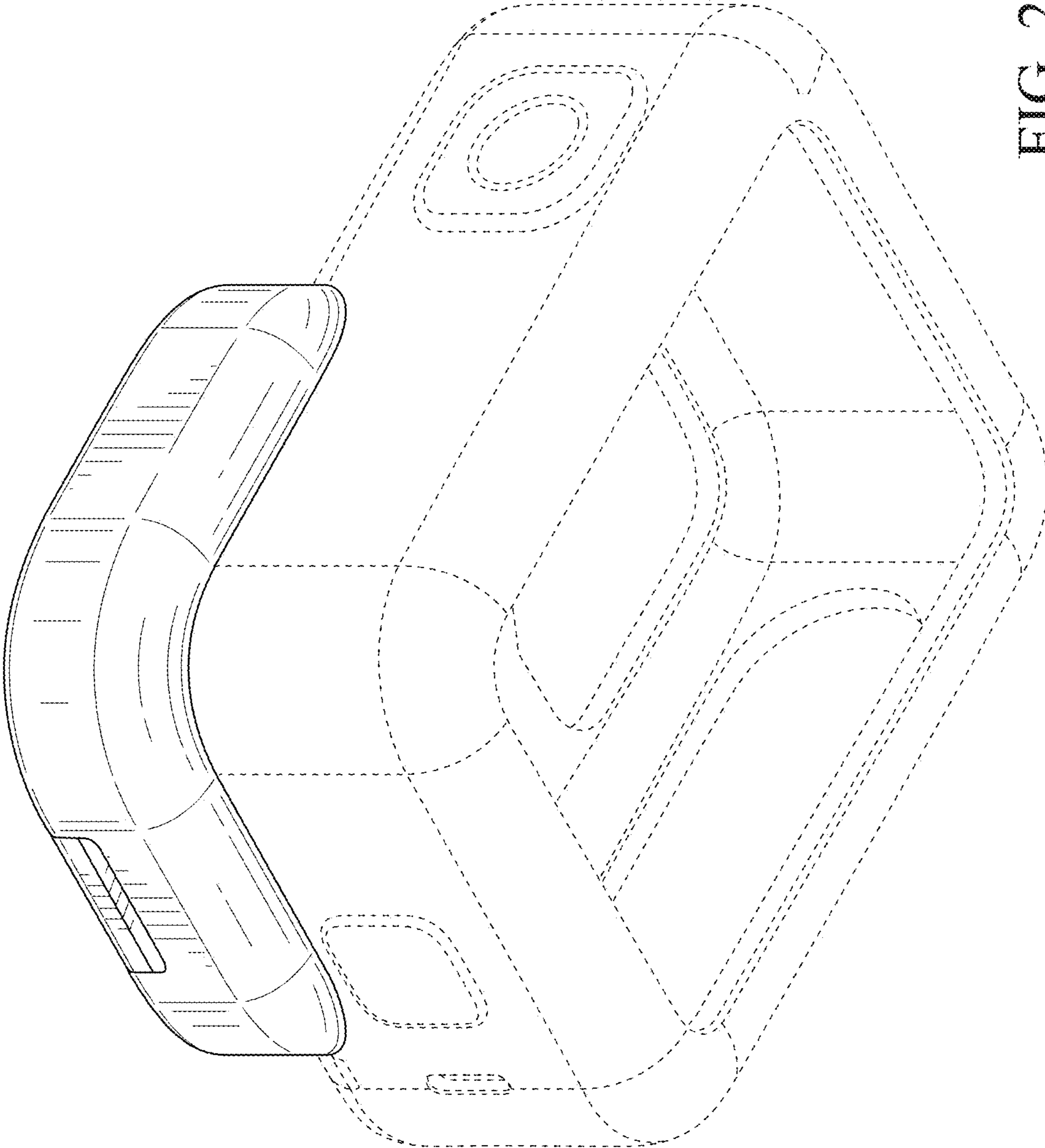


FIG. 2

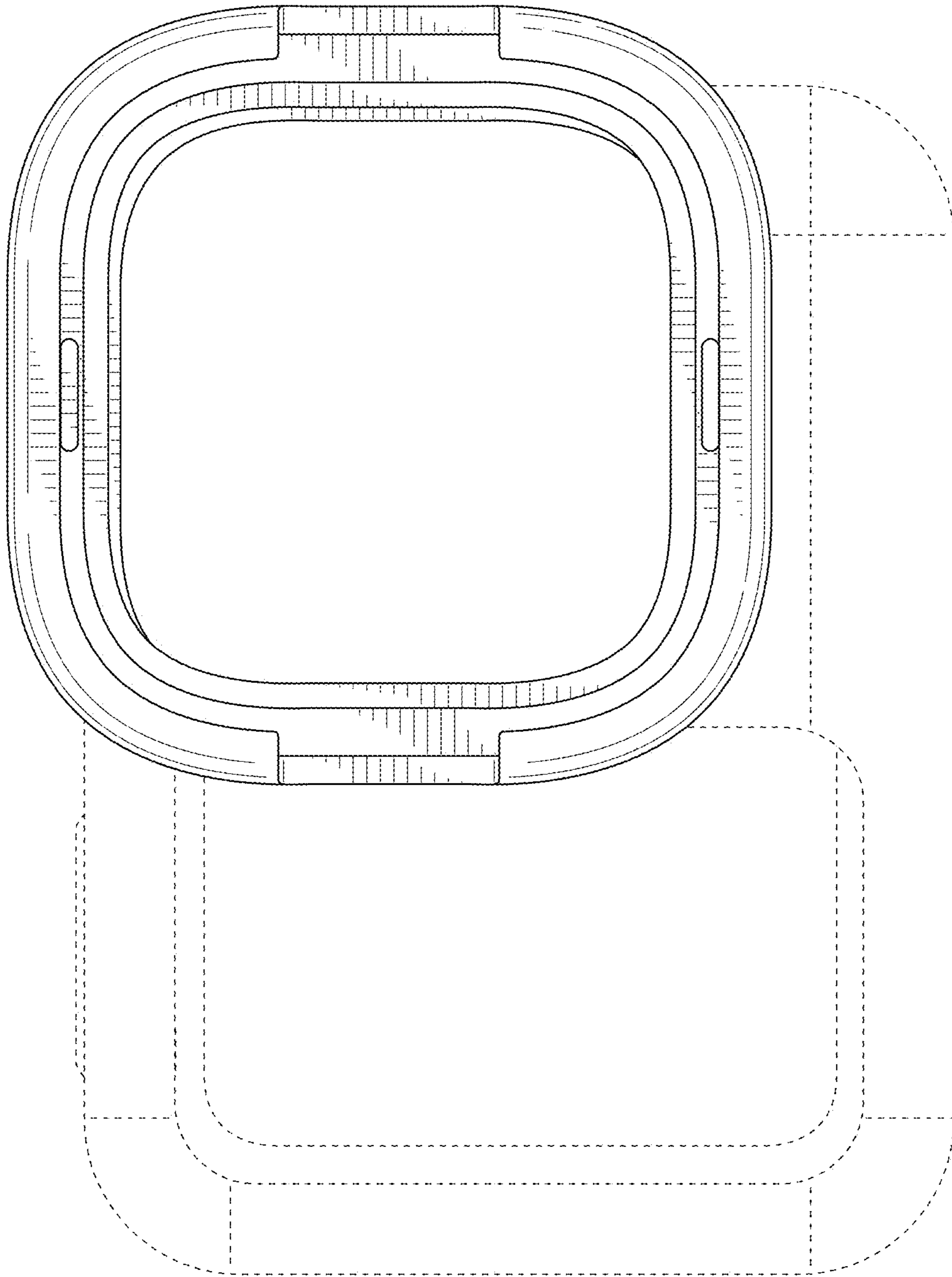


FIG. 3

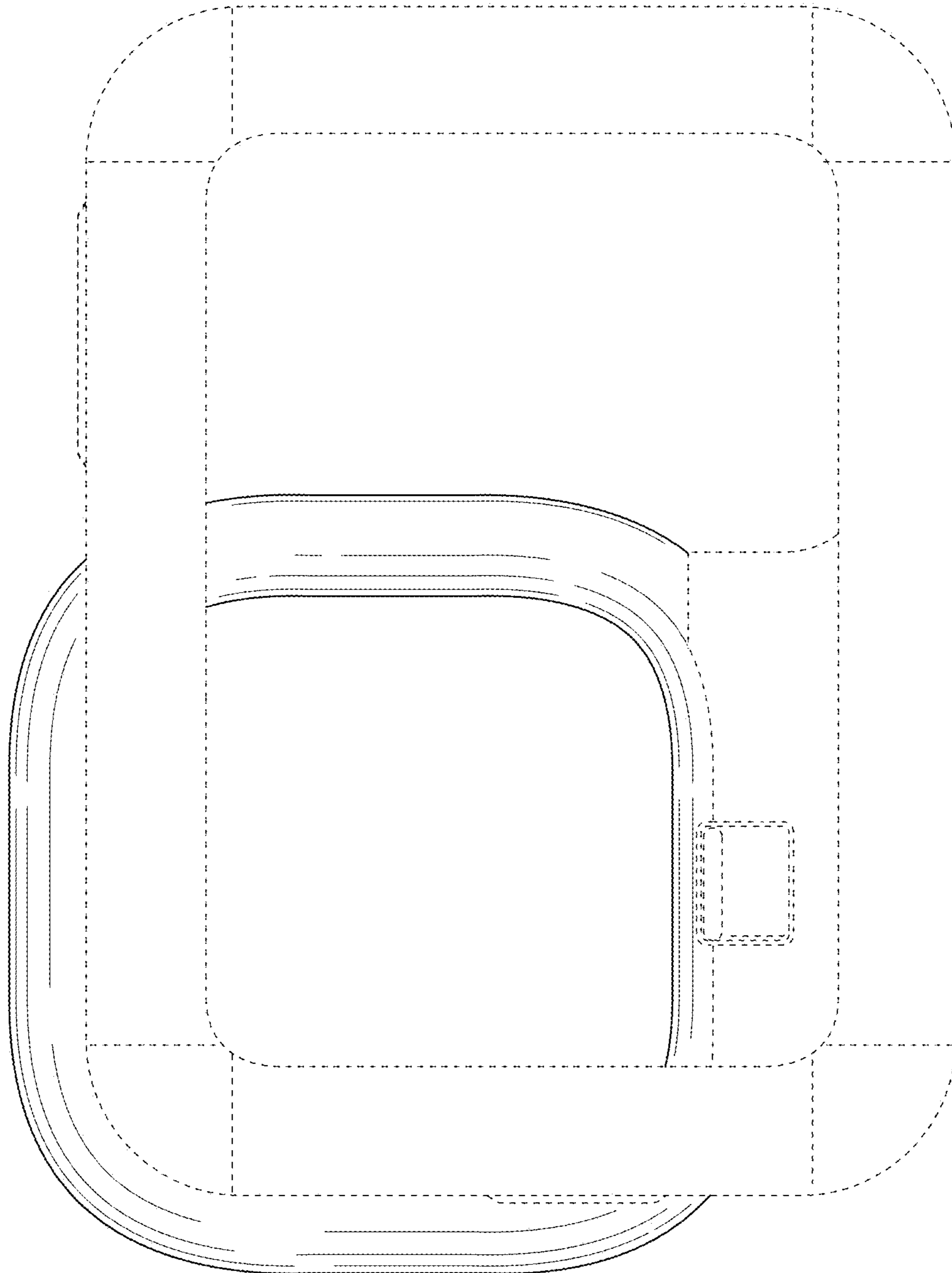


FIG. 4

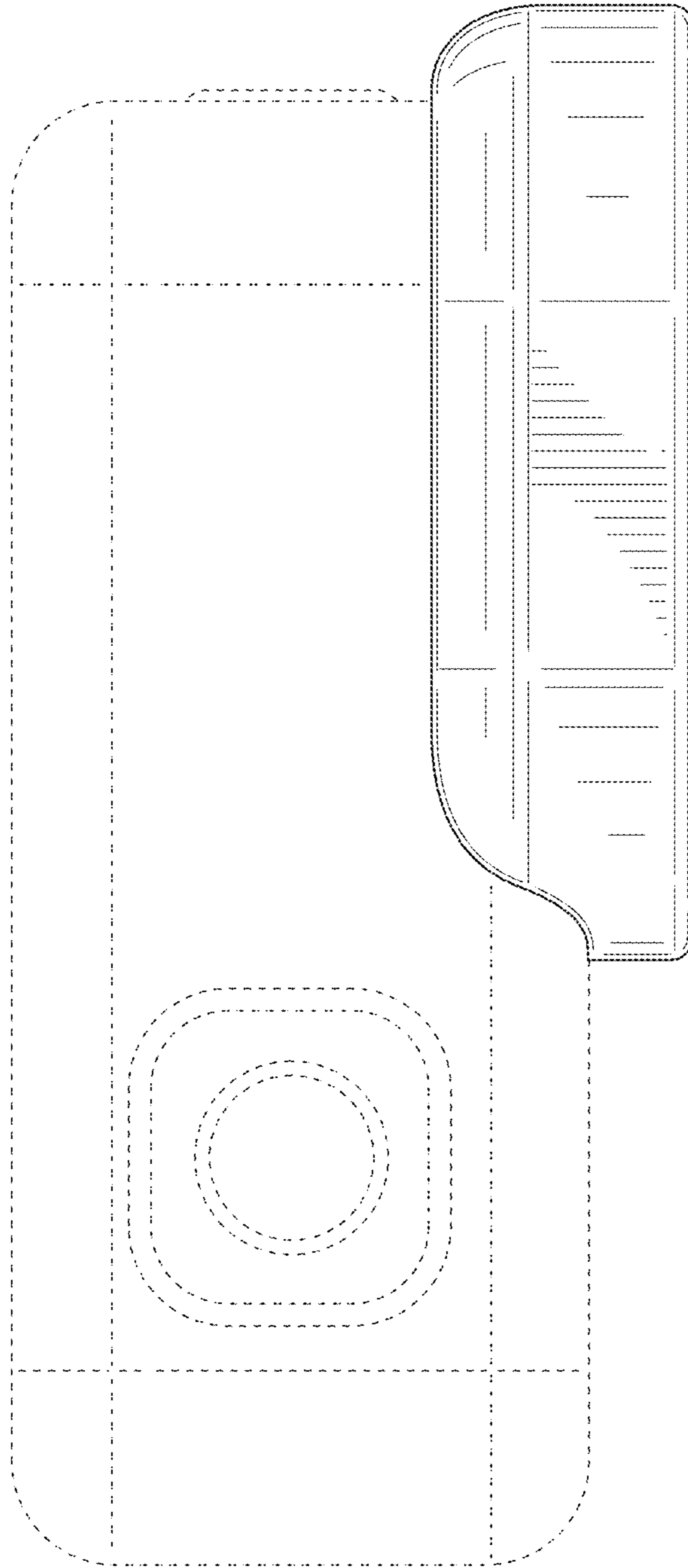


FIG. 5



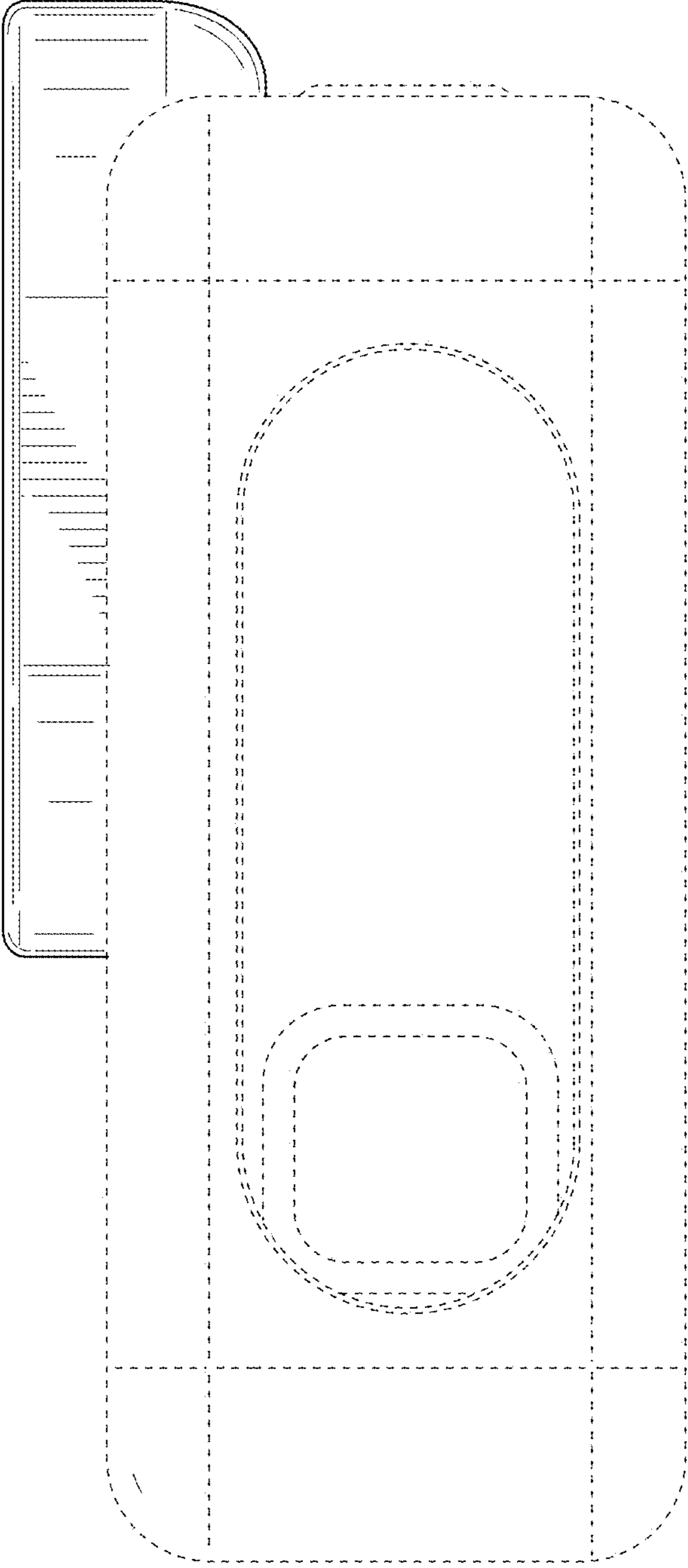


FIG. 6

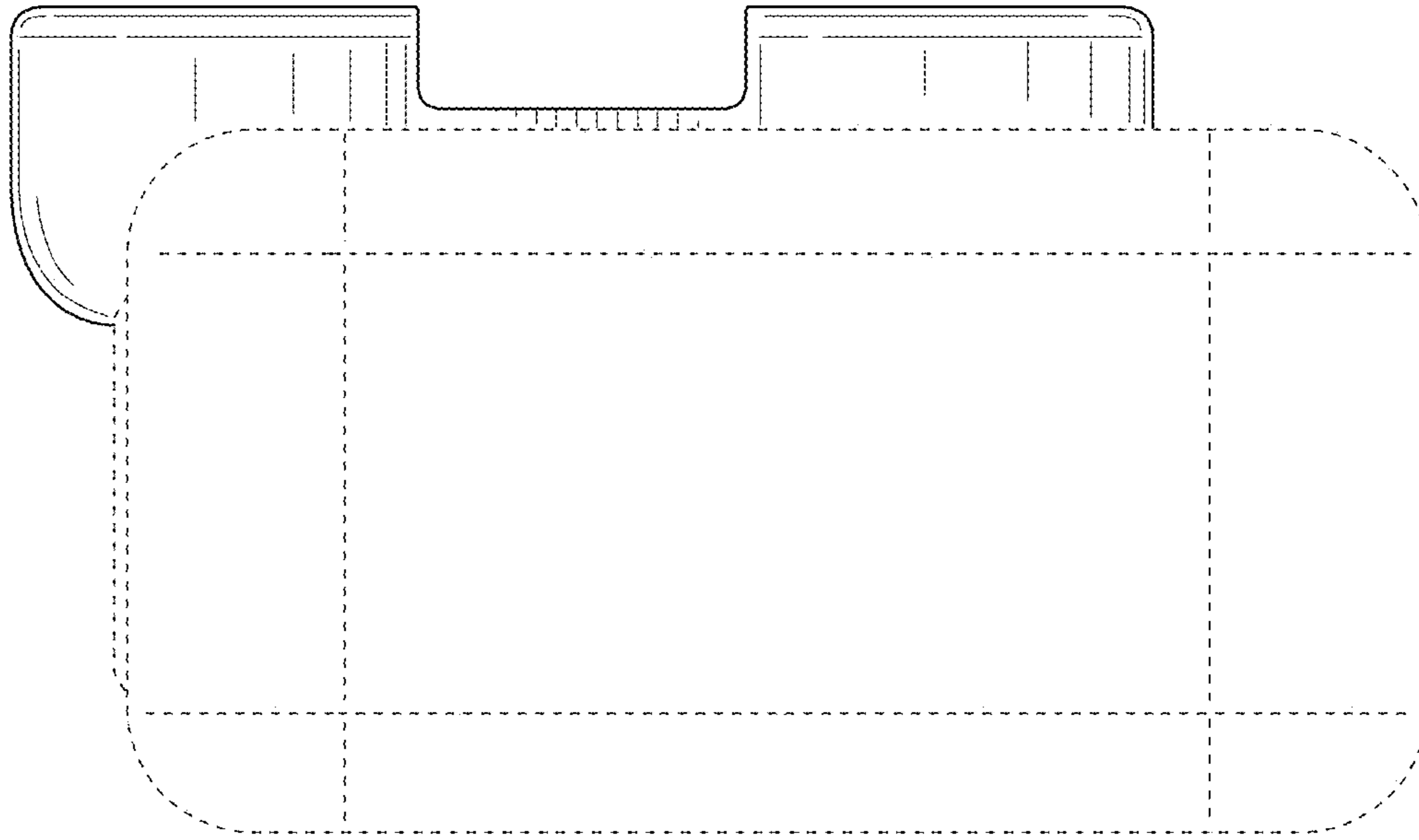


FIG. 8

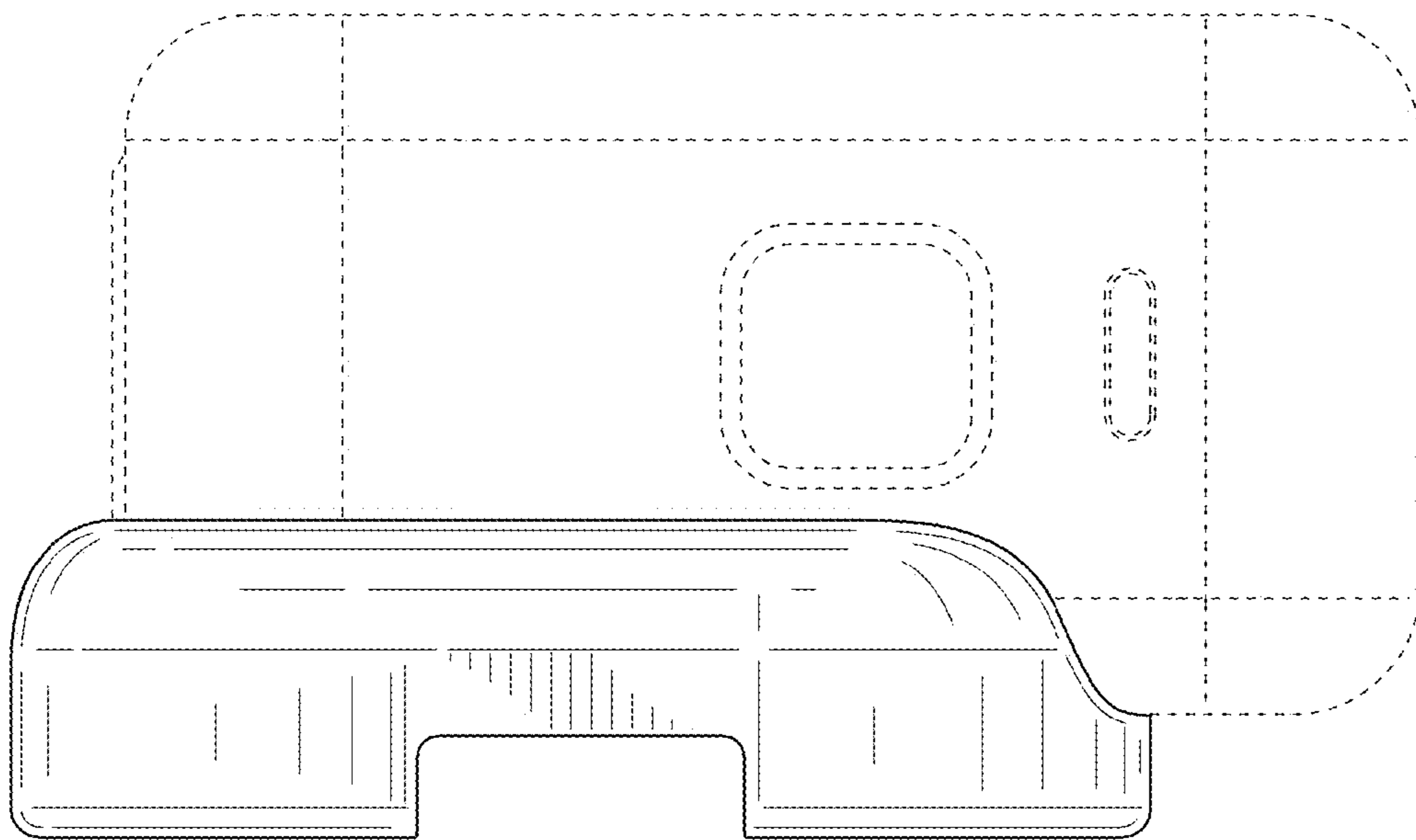


FIG. 7

UNITED STATES PATENT AND TRADEMARK OFFICE  
**CERTIFICATE OF CORRECTION**

PATENT NO. : D963,023 S  
APPLICATION NO. : 29/835094  
DATED : September 6, 2022  
INVENTOR(S) : Jordan Todd et al.

Page 1 of 2

It is certified that error appears in the above-identified patent and that said Letters Patent is hereby corrected as shown below:

In the Drawings

Page 3 of 7, FIG. 3 is replaced to be consistent with FIG. 1, as shown on the attached drawing sheet.

Signed and Sealed this  
Twenty-fifth Day of June, 2024  
*Katherine Kelly Vidal*

Katherine Kelly Vidal  
*Director of the United States Patent and Trademark Office*

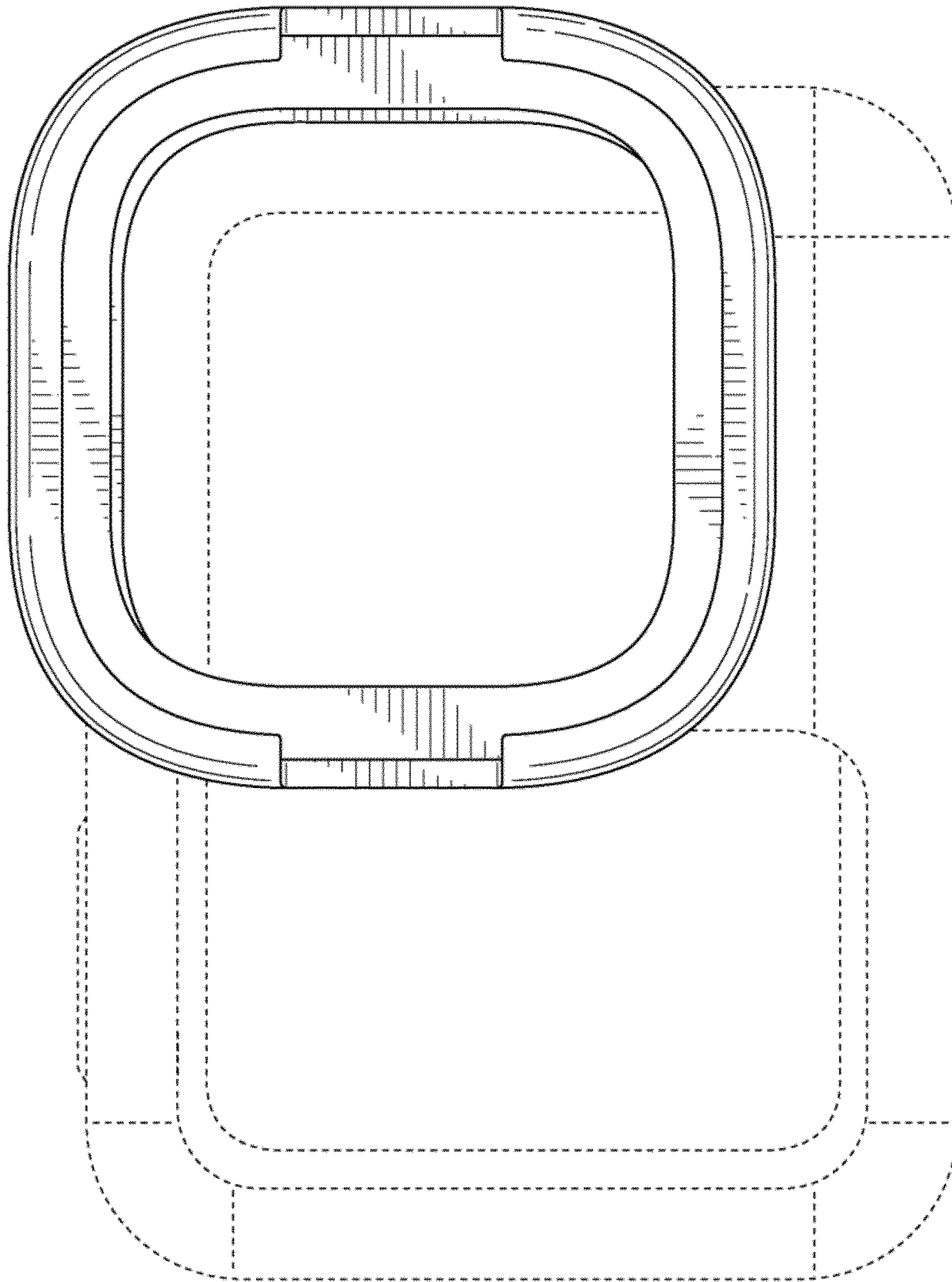


FIG. 3