



US00D963022S

(12) **United States Design Patent**
Muhlenkamp, IV et al.

(10) **Patent No.:** **US D963,022 S**
(45) **Date of Patent:** **** Sep. 6, 2022**

(54) **CAMERA**

(71) Applicant: **GoPro, Inc.**, San Mateo, CA (US)

(72) Inventors: **John George Muhlenkamp, IV**,
Brisbane, CA (US); **Daniel J. Coster**,
Oakura (NZ); **Huy Phuong Nguyen**,
Alpine, UT (US); **Kielan C. Crow**, San
Mateo, CA (US); **Nicholas Vitale**,
Foster City, CA (US)

(73) Assignee: **GoPro, Inc.**, San Mateo, CA (US)

(**) Term: **15 Years**

(21) Appl. No.: **29/833,636**

(22) Filed: **Apr. 6, 2022**

Related U.S. Application Data

(62) Division of application No. 29/817,148, filed on Nov.
29, 2021, now Pat. No. Des. 950,624, which is a
(Continued)

(51) **LOC (13) Cl.** **16-05**

(52) **U.S. Cl.**
USPC **D16/219**; D16/200

(58) **Field of Classification Search**
USPC D16/200, 202–208, 218, 219, 242;
348/164, 373–376; 396/448, 535,
396/539–541
CPC G03B 17/02; G03B 19/04; G03B 17/56;
G03B 17/04; G03B 15/03; H04N 5/2251;
H04N 5/2252; H04N 5/2253; H04N
5/2254;

(Continued)

(56) **References Cited**

U.S. PATENT DOCUMENTS

1,612,277 A 12/1926 Leo
D96,348 S 7/1935 Teaque

(Continued)

FOREIGN PATENT DOCUMENTS

CA 168972 4/1916
CN 1531337 A 9/2004

(Continued)

OTHER PUBLICATIONS

“FlyHi Battery”. Found online Nov. 2, 2021 at amazon.com. Ref-
erence dated Nov. 21, 2016. Retrieved from <https://www.amazon.com/dp/B01MTQ9D74?tag=toptenbest-20>. (Year: 2016).

(Continued)

Primary Examiner — Ramzi Almatrahi

(74) *Attorney, Agent, or Firm* — Young Basile Hanlon &
MacFarlane, P.C.

(57) **CLAIM**

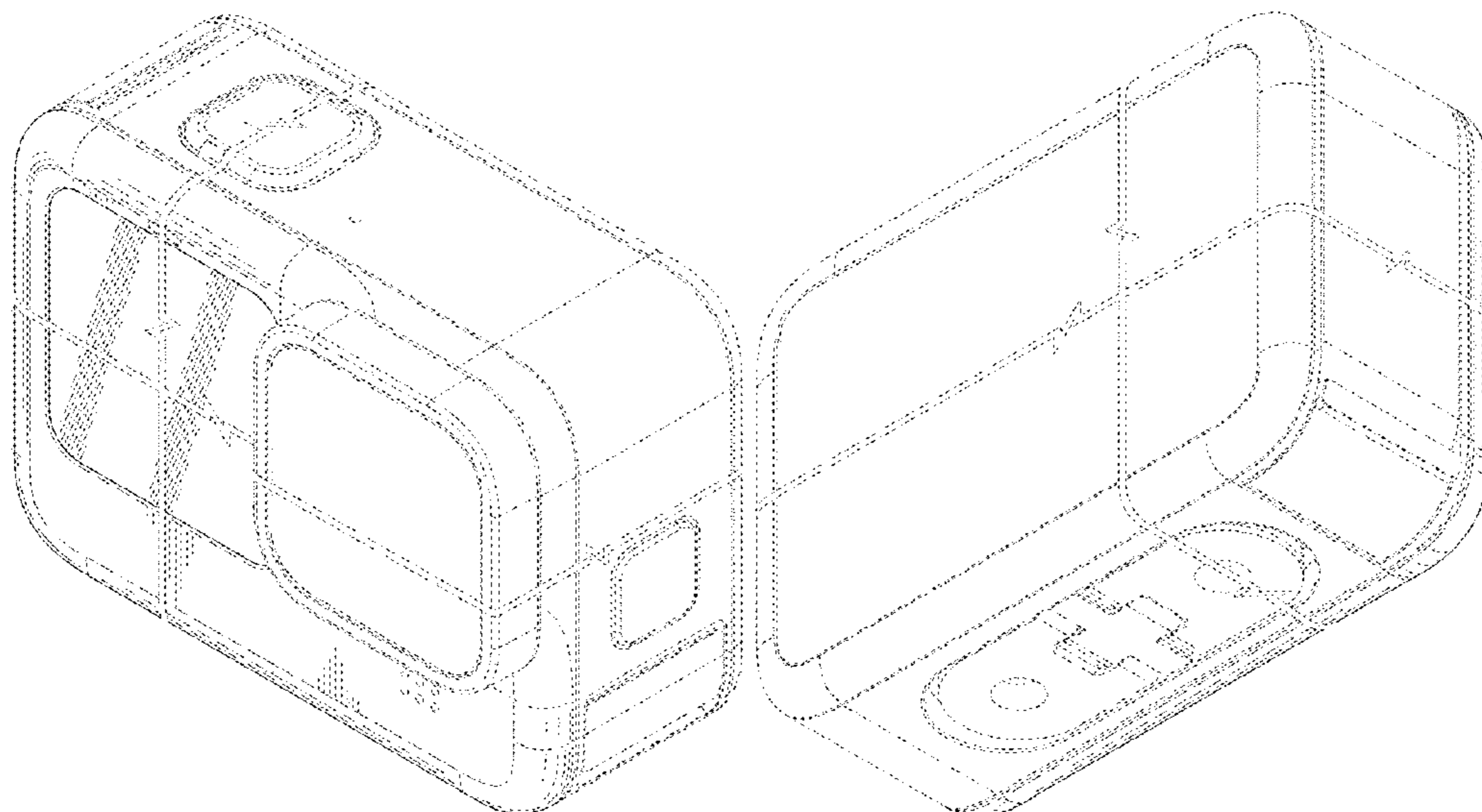
The ornamental design for a camera, as shown and
described.

DESCRIPTION

FIG. 1 is a top, front, and right side perspective view of a
camera showing our new design;
FIG. 2 is a bottom, rear, and left side perspective view
thereof;
FIG. 3 is a front elevation view thereof;
FIG. 4 is a rear elevation view thereof;
FIG. 5 is a right side elevation view thereof;
FIG. 6 is a left side elevation view thereof;
FIG. 7 is a top plan view thereof; and,
FIG. 8 is a bottom plan view thereof.

The broken lines depict portions of the camera in which the
design is embodied that form no part of the claimed design.
The break lines depicted with broken lines in the drawings
are included to show a symbolic break and the appearance
of any portion of the article between the break lines forms
no part of the claimed design.

1 Claim, 8 Drawing Sheets



Related U.S. Application Data

division of application No. 29/746,620, filed on Aug. 14, 2020, now Pat. No. Des. 946,074.

(58) **Field of Classification Search**

CPC H04N 7/181; H04N 7/183; H04N 7/18; G08B 13/1963; G08B 13/19619; G08B 13/19632; F16M 11/04; F16M 13/00

See application file for complete search history.

(56) **References Cited**

U.S. PATENT DOCUMENTS

D118,296 S	12/1939	Tuomey	D504,904 S	5/2005	Nagai
3,508,482 A	4/1970	Taylor	D509,189 S	9/2005	Buck
3,721,746 A	3/1973	Knappenberger	D510,721 S	10/2005	Axelrod
D243,618 S	3/1977	Kaye	D512,371 S	12/2005	Axelrod
4,091,402 A	5/1978	Siegel	D515,121 S	2/2006	Bleau
4,208,028 A	6/1980	Brown	D515,613 S	2/2006	Holmes
D260,513 S	9/1981	Comstock	D516,502 S	3/2006	Small
4,469,423 A	9/1984	Bresson	D516,503 S	3/2006	Takeshita
4,646,141 A	2/1987	Timmermans	D521,445 S	5/2006	Liu
4,733,259 A	3/1988	Ng	D521,446 S	5/2006	Liu
D299,651 S	1/1989	Preussner	D523,808 S	6/2006	Thor
D321,705 S	11/1991	Ohmura	D524,241 S	7/2006	Takeshita
D328,888 S	8/1992	Zhu	D524,836 S	7/2006	Morita
D329,040 S	9/1992	Seki	D526,612 S	8/2006	Sugeno
D334,169 S	3/1993	Antonczak	D527,403 S	8/2006	Byun
5,216,371 A	6/1993	Nagai	D531,199 S	10/2006	Matsuda
D338,220 S	8/1993	Kohno	D532,029 S	11/2006	Kim
D339,365 S	9/1993	Urcuilio	D532,030 S	11/2006	Yoshida
D348,043 S	6/1994	Hamilton	D532,433 S	11/2006	Sato
D354,739 S	1/1995	Durham	D533,574 S	12/2006	Hamamura
5,400,234 A	3/1995	Yu	D534,564 S	1/2007	Tainaka
D372,896 S	8/1996	Nagele	D535,249 S	1/2007	Ogasawara
D385,283 S	10/1997	Snyder	D535,253 S	1/2007	Buck
D386,147 S	11/1997	Siddoway	D538,322 S	3/2007	Horikiri
D392,659 S	3/1998	Takano	D544,463 S	6/2007	Harris, Jr.
5,808,663 A	9/1998	Okaya	D546,277 S	7/2007	Andre
D400,496 S	11/1998	Barber	D551,969 S	10/2007	Aurilio
D402,955 S	12/1998	Smith	D555,587 S	11/2007	Yamamoto
D404,356 S	1/1999	Higgins	D556,803 S	12/2007	Ishida
D407,098 S	3/1999	Goto	D561,092 S	2/2008	Kim
D408,796 S	4/1999	Georgopulos	D566,151 S	4/2008	Won
D409,160 S	5/1999	Sonntag	D576,486 S	9/2008	Koza
D412,153 S	7/1999	Chen	D577,729 S	9/2008	Derry
D418,107 S	12/1999	Murray, III	D577,731 S	9/2008	Altonji
D423,449 S	4/2000	Naskali	D584,683 S	1/2009	Preliasco
D432,493 S	10/2000	Killebrew	D590,334 S	4/2009	Tatehata
6,153,834 A	11/2000	Cole	D594,047 S	6/2009	Lee
D439,218 S	3/2001	Yu	D594,497 S	6/2009	Hatori
D441,386 S	5/2001	Yamazaki	D596,217 S	7/2009	Kim
D442,982 S	5/2001	Adachi	7,626,621 B2	12/2009	Ito
6,233,400 B1	5/2001	Muramatsu	7,653,292 B2	1/2010	Yamaguchi
D449,577 S	10/2001	Nishio	D610,539 S	2/2010	Dahan
6,315,180 B1	11/2001	Watkins	7,683,968 B2	3/2010	Hagihara
D456,006 S	4/2002	Maher	D616,480 S	5/2010	Ookawa
6,380,713 B2	4/2002	Namura	D616,742 S	6/2010	Lynn
D457,132 S	5/2002	Petherbridge	D617,360 S	6/2010	Endo
D460,411 S	7/2002	Wang	7,728,905 B2	6/2010	Tanaka
D463,469 S	9/2002	Kawase	D621,860 S	8/2010	Fukano
D463,774 S	10/2002	Buck	D622,591 S	8/2010	Biesecker, II
D474,489 S	5/2003	Kawashima	7,768,727 B2	8/2010	Iida
D480,682 S	10/2003	Kawase	7,801,439 B2	9/2010	Nagata
D480,741 S	10/2003	Berger	D631,835 S	2/2011	Neidhart
D481,995 S	11/2003	Yokota	D635,607 S	4/2011	Takagi
D483,329 S	12/2003	Kuo	D637,552 S	5/2011	Inman
D484,164 S	12/2003	Ogura	D640,196 S	6/2011	Shuang
D486,510 S	2/2004	Ogura	D641,389 S	7/2011	Dastagir
D487,765 S	3/2004	Dow	D642,517 S	8/2011	Inman
6,718,129 B1	4/2004	Cornell	D643,809 S	8/2011	Okuda
D490,370 S	5/2004	Picardo	D644,988 S	9/2011	Finney
D491,137 S	6/2004	Suzuki	D645,814 S	9/2011	Otani
D492,248 S	6/2004	Gregory	8,014,656 B2	9/2011	Woodman
D494,940 S	8/2004	Fiocchi	D646,222 S	10/2011	Tatehata
D496,674 S	9/2004	Hayashi	D647,554 S	10/2011	Yim
			D647,935 S	11/2011	Raken
			D647,944 S	11/2011	Jannard
			D648,270 S	11/2011	Jiang
			D654,850 S	2/2012	Obata
			D654,853 S	2/2012	Bacon
			D657,808 S	4/2012	Woodman
			D660,339 S	5/2012	Yoshida
			D660,788 S	5/2012	Ziring
			8,199,251 B2	6/2012	Woodman
			D664,995 S	8/2012	Akana
			D665,340 S	8/2012	Obata
			8,247,106 B2	8/2012	Takeshita
			D667,003 S	9/2012	Richter
			D668,247 S	10/2012	Kim
			D674,749 S	1/2013	Moore
			D676,476 S	2/2013	Ishikura

(56)

References Cited

U.S. PATENT DOCUMENTS

D680,097 S	4/2013	Davies	D751,131 S	3/2016	Woodman
D681,550 S	5/2013	Corbin	D752,672 S	3/2016	Clearman
D682,777 S	5/2013	Gupta	D753,749 S	4/2016	Zhu
D682,778 S	5/2013	Baumgartner	D754,238 S	4/2016	Woodman
8,467,675 B2	6/2013	Chen	D754,769 S	4/2016	Patulski
D687,426 S	8/2013	Requa	D755,270 S	5/2016	Vehlewald
D690,280 S	9/2013	Schul	D755,271 S	5/2016	Patulski
8,542,308 B2	9/2013	Ozawa	D755,274 S	5/2016	Lee
D692,042 S	10/2013	Dawes	D755,874 S	5/2016	Yang
8,544,643 B2	10/2013	Yim	D758,467 S	6/2016	Zhang
D692,939 S	11/2013	Huang	D759,145 S	6/2016	Lee
D699,672 S	2/2014	Kosugi	D759,585 S	6/2016	Herbst
D700,136 S	2/2014	Morris	D760,309 S	6/2016	Parfitt
D700,166 S	2/2014	Petersen	D760,312 S	6/2016	Lee
D702,276 S	4/2014	Woodman	9,360,742 B1	6/2016	Harrison
D702,278 S	4/2014	Kim	9,395,031 B1	7/2016	Clearman
8,743,277 B2	6/2014	Matsuzawa	D762,759 S	8/2016	Wu
D708,189 S	7/2014	An	D763,346 S	8/2016	Jenkins
D708,571 S	7/2014	Ji	D763,941 S	8/2016	Smith
D709,439 S	7/2014	Ferber	D764,559 S	8/2016	Luo
8,792,003 B2	7/2014	Nakamura	D765,594 S	9/2016	Li
D710,921 S	8/2014	Gioscia	D766,175 S	9/2016	Tsiopanos
D710,922 S	8/2014	Gioscia	D766,351 S	9/2016	Li
D712,347 S	9/2014	Awiszus	D769,346 S	10/2016	Nguyen
D712,391 S	9/2014	Kim	D769,814 S	10/2016	Lin
D713,868 S	9/2014	Yang	D772,804 S	11/2016	Nakashima
8,828,601 B2	9/2014	Hara	D772,966 S	11/2016	Song
8,837,928 B1	9/2014	Clearman	9,507,245 B1	11/2016	Druker
D715,347 S	10/2014	Troxel	D773,546 S	12/2016	Nguyen
D715,789 S	10/2014	Yoon	D773,547 S	12/2016	Lee
8,865,339 B2	10/2014	Enari	D775,254 S	12/2016	Parfitt
D718,617 S	12/2014	Taylor	D776,183 S	1/2017	Miyazaki
D721,395 S	1/2015	Woodman	D776,610 S	1/2017	Nommensen
D722,043 S	2/2015	Requa	D776,612 S	1/2017	Chen
D722,864 S	2/2015	Greenthal	D776,738 S	1/2017	Clearman
D723,456 S	3/2015	Currah	D776,741 S	1/2017	Parfitt
D724,013 S	3/2015	Zsolcsak	D777,125 S	1/2017	Eder
D724,538 S	3/2015	Baumgartner	D777,236 S	1/2017	Mai
D724,637 S	3/2015	Samuels	D777,240 S	1/2017	Costa
D724,638 S	3/2015	Samuels	D777,821 S	1/2017	Gioscia
D725,169 S	3/2015	Gioscia	D778,335 S	2/2017	Gioscia
D725,590 S	3/2015	Clyne	D778,336 S	2/2017	Gioscia
D725,691 S	3/2015	De Rosa	D779,576 S	2/2017	Ikegame
8,992,102 B1	3/2015	Samuels	D780,111 S	2/2017	Clyne
D726,648 S	4/2015	Zealer	D780,112 S	2/2017	Lin
D727,387 S	4/2015	Hasegawa	D780,244 S	2/2017	Wang
D727,991 S	4/2015	Hasegawa	9,588,407 B1	3/2017	Harrison
9,004,783 B1	4/2015	Woodman	D785,692 S	5/2017	Wang
D729,059 S	5/2015	Taylor	D785,695 S	5/2017	Woodman
D729,761 S	5/2015	Hu	D785,696 S	5/2017	Parfitt
D729,762 S	5/2015	Hu	D785,697 S	5/2017	Costa
D730,287 S	5/2015	Motoyama	D788,835 S	6/2017	Wu
D730,423 S	5/2015	Vandenbussche	D789,435 S	6/2017	Nguyen
9,033,596 B2	5/2015	Samuels	D790,001 S	6/2017	Parfitt
D732,593 S	6/2015	Woodman	D790,002 S	6/2017	Nguyen
D733,781 S	7/2015	Chen	D790,454 S	6/2017	Lee
D733,788 S	7/2015	Baker	D791,211 S	7/2017	Fujita
D734,799 S	7/2015	Woodman	D791,695 S	7/2017	Bergman
9,077,013 B2	7/2015	Huang	D791,848 S	7/2017	Zhu
D737,879 S	9/2015	Woodman	D792,919 S	7/2017	Ryu
D739,451 S	9/2015	Gioscia	D793,463 S	8/2017	Houin
D740,868 S	10/2015	Gioscia	D794,554 S	8/2017	Chang
D741,394 S	10/2015	Gioscia	D794,695 S	8/2017	Zhang
D741,932 S	10/2015	Huang	D794,696 S	8/2017	Nguyen
D742,818 S	11/2015	Lin	D797,040 S	9/2017	Lavin, Jr.
D742,952 S	11/2015	Nakajima	D798,929 S	10/2017	Zhou
D744,572 S	12/2015	Tabuchi	D800,202 S	10/2017	Hu
D745,589 S	12/2015	Lee	D800,817 S	10/2017	Sutton
D745,920 S	12/2015	Lee	D800,819 S	10/2017	Parfitt
9,204,021 B2	12/2015	Woodman	D803,705 S	11/2017	Read
D750,146 S	2/2016	Costa	D803,919 S	11/2017	Jeong
D750,680 S	3/2016	Chen	D803,920 S	11/2017	Shin
D750,686 S	3/2016	Chen	D803,925 S	11/2017	Hoshi
D750,687 S	3/2016	Samuels	D804,560 S	12/2017	Costa
D750,690 S	3/2016	Lee	D805,117 S	12/2017	Nguyen
			D805,569 S	12/2017	Daugela
			D806,155 S	12/2017	Parfitt
			D806,775 S	1/2018	Nguyen
			D808,163 S	1/2018	Song

(56)

References Cited

U.S. PATENT DOCUMENTS

D808,898 S	1/2018	Walker	D882,666 S	4/2020	Tsukamoto
D814,543 S	4/2018	Oshima	D884,597 S	5/2020	Pilliod
D815,032 S	4/2018	Lin	D887,970 S	6/2020	Himeno
D815,677 S	4/2018	Gao	D890,709 S	7/2020	Lim
D816,753 S	5/2018	Zhang	D890,835 S	7/2020	Nguyen
D818,025 S	5/2018	Wong	D892,194 S	8/2020	Nguyen
D818,028 S	5/2018	Ramones	D892,905 S	8/2020	Nguyen
D818,029 S	5/2018	Fujita	D894,256 S	8/2020	Vitale
D819,718 S	6/2018	Wu	D897,400 S	9/2020	Liu
D820,335 S	6/2018	Lukas	D897,403 S	9/2020	Liu
D820,339 S	6/2018	Yau	D897,408 S	9/2020	Tsukamoto
D820,898 S	6/2018	Fujita	10,768,508 B1	9/2020	Woodman
D821,476 S *	6/2018	Martin D16/202	D900,911 S	11/2020	Muhlenkamp, IV
D821,480 S	6/2018	Gioscia	D903,740 S	12/2020	Au
D821,481 S	6/2018	Gioscia	D906,396 S	12/2020	Schaarschmidt
D824,982 S	8/2018	Lee	D907,101 S	1/2021	Coster
D825,636 S	8/2018	Hueber	D907,680 S	1/2021	Nguyen
D829,260 S	9/2018	Fujita	D907,682 S	1/2021	Sjögren
D830,446 S	10/2018	Muhlenkamp, IV	D911,412 S	2/2021	Alberstein
D832,905 S	11/2018	Liu	D911,418 S	2/2021	Yap
D832,906 S	11/2018	Hasegawa	D912,120 S	3/2021	Druker
D833,505 S	11/2018	Hu	D920,419 S	5/2021	Muhlenkamp, IV
D835,172 S	12/2018	Fujita	D921,086 S	6/2021	Li
D835,574 S	12/2018	Trongone	D921,737 S	6/2021	Liang
D835,910 S	12/2018	Eliyahu	D921,740 S	6/2021	Coster
D836,696 S	12/2018	Zhang	D923,075 S	6/2021	Grant
D837,861 S	1/2019	Luo	D925,643 S	7/2021	Hsu
D837,865 S	1/2019	Parfitt	D926,243 S	7/2021	Tsukamoto
D838,762 S	1/2019	Piekarski	D928,863 S	8/2021	Alberstein
D839,335 S	1/2019	Zhang	D935,507 S	11/2021	Li
D839,945 S	2/2019	Lenz	D939,608 S	12/2021	Han
D840,463 S	2/2019	Nguyen	D939,610 S	12/2021	Han
D842,142 S	3/2019	Recker	D940,066 S	1/2022	Venugopal
D848,509 S	5/2019	Lee	D941,904 S	1/2022	Coster
D849,076 S	5/2019	Bertram	D942,373 S	2/2022	Ruffing
D849,078 S	5/2019	Girotti	D943,654 S *	2/2022	Jiang D16/200
D849,084 S	5/2019	Hu	D946,074 S *	3/2022	Muhlenkamp, IV D16/218
D849,100 S	5/2019	Hsu	D947,920 S *	4/2022	Muhlenkamp, IV D16/200
D849,108 S	5/2019	Huang	D949,222 S *	4/2022	Bergman D16/200
D849,730 S	5/2019	Charette	D950,624 S *	5/2022	Muhlenkamp, IV D16/218
D850,513 S	6/2019	Gan	2001/0034163 A1	10/2001	Chiang
D851,155 S	6/2019	Hu	2002/0046218 A1	4/2002	Gilbert
D852,255 S	6/2019	Guo	2002/0090212 A1	7/2002	Shimamura
D852,256 S	6/2019	Bai	2002/0136557 A1	9/2002	Shimamura
D854,597 S	7/2019	Gao	2003/0156212 A1	8/2003	Kingetsu
D855,675 S	8/2019	Luo	2004/0223752 A1	11/2004	Ghanouni
D857,076 S	8/2019	Gan	2005/0019029 A1	1/2005	Kawakami
D859,498 S	9/2019	Lin	2005/0208345 A1	9/2005	Yoon
D861,592 S	10/2019	Venugopal	2005/0212959 A1	9/2005	Manabe
D861,761 S	10/2019	Bergman	2006/0233545 A1	10/2006	Senba
D861,765 S	10/2019	Muhlenkamp, IV	2006/0257137 A1	11/2006	Fromm
D861,766 S	10/2019	Lim	2007/0019948 A1	1/2007	Terada
D863,404 S	10/2019	Karpenko	2007/0071423 A1	3/2007	Fantone
D864,275 S	10/2019	Huang	2007/0140686 A1	6/2007	Misawa
D865,843 S	11/2019	Hu	2008/0117328 A1	5/2008	Daoud
D865,844 S	11/2019	Jalala	2008/0248703 A1	10/2008	Russell
D865,845 S	11/2019	Sakai	2009/0032420 A1	2/2009	Zenzai
D867,420 S	11/2019	Zhang	2010/0060747 A1	3/2010	Woodman
D867,427 S	11/2019	Bai	2010/0061711 A1	3/2010	Woodman
D868,871 S	12/2019	Nguyen	2011/0001834 A1	1/2011	Herrell
D868,874 S	12/2019	Muhlenkamp, IV	2011/0042530 A1	2/2011	Phillips
D869,844 S	12/2019	Eliyahu	2011/0129210 A1	6/2011	McGucken
D870,176 S	12/2019	Hokari	2011/0216195 A1	9/2011	Tanaka
D870,183 S	12/2019	Tsukamoto	2011/0223447 A1	9/2011	Ignor
D871,480 S	12/2019	Hu	2011/0317065 A1	12/2011	Lin
10,523,925 B2	12/2019	Woodman	2013/0186310 A1	7/2013	Lymberis
D872,156 S *	1/2020	Zhao D16/200	2013/0200768 A1	8/2013	Miura
D872,162 S	1/2020	Gao	2013/0321696 A1	12/2013	Bae
10,536,615 B2	1/2020	Campbell	2014/0060582 A1	3/2014	Hartranft
D876,521 S	2/2020	Costa	2014/0160349 A1	6/2014	Huang
10,574,871 B2	2/2020	Abbas	2015/0022717 A1	1/2015	Coons
D880,561 S	4/2020	Muhlenkamp	2015/0122849 A1	5/2015	Jones
D880,567 S	4/2020	Zhang	2015/0189131 A1	7/2015	Woodman
D880,569 S	4/2020	Zhang	2015/0316835 A1	11/2015	Scott
D881,974 S	4/2020	Nguyen	2015/0318579 A1	11/2015	Kwon
			2016/0116828 A1	4/2016	Clearman
			2016/0119516 A1	4/2016	Clearman
			2016/0131963 A1	5/2016	Clearman
			2016/0209731 A1	7/2016	Song

(56)

References Cited

U.S. PATENT DOCUMENTS

2016/0274338	A1	9/2016	Davies
2017/0059967	A1	3/2017	Harrison
2017/0111559	A1	4/2017	Abbas
2017/0150236	A1	5/2017	Newman
2017/0195550	A1	7/2017	Kim
2017/0289413	A1	10/2017	Samuels
2017/0324890	A1	11/2017	Moskovchenko
2018/0039162	A1	2/2018	Ali
2018/0081258	A1	3/2018	Clyne
2018/0084194	A1	3/2018	Woodman
2018/0084215	A1	3/2018	Jing
2018/0102123	A1	4/2018	Tisch
2018/0103189	A1	4/2018	Nguyen
2018/0103190	A1	4/2018	Nguyen
2018/0146122	A1	5/2018	Campbell
2018/0198989	A1	7/2018	MacMillan
2018/0262682	A1	9/2018	Wang
2019/0179214	A1	6/2019	Hara
2020/0159091	A1	5/2020	Vitale
2020/0184690	A1	6/2020	Guérin
2020/0204721	A1	6/2020	Douady
2020/0204772	A1	6/2020	Gounelle
2020/0218136	A1	7/2020	Au
2020/0221010	A1	7/2020	Douady
2020/0221219	A1	7/2020	Hardin
2020/0259978	A1	8/2020	Abbas

FOREIGN PATENT DOCUMENTS

CN	1892403	A	1/2007
CN	101078859	A	11/2007
CN	101331815	A	12/2008
CN	102005552	A	4/2011
CN	207083334	U	3/2018
CN	207531231	U	6/2018
EP	0031985220005		2/2018
JP	H05304625	A	11/1993
JP	2001217564	A	8/2001
JP	2003142841	A	5/2003
JP	2007057997	A	3/2007
JP	1595273		1/2018
JP	1595299		1/2018
JP	2018107558	A	7/2018

OTHER PUBLICATIONS

“GoPro Rechargeable Battery”. Found online Mar. 10, 2022 at [amazon.co.uk](https://www.amazon.co.uk/GoPro-Rechargeable-Battery-Official-Accessory-Black/dp/B01MOPV67H/?th=1) Reference dated Oct. 7, 2016. Retrieved from <https://www.amazon.co.uk/GoPro-Rechargeable-Battery-Official-Accessory-Black/dp/B01MOPV67H/?th=1>.(Year: 2016).

“Newmowa Rechargeable Battery” Found online Mar. 14, 2022 at [amazon.co.uk](https://www.amazon.co.uk/Newmowa-Rechargeable-AHDBT-302-Replacement-3-Channel/dp/B06XW6R74Z). Reference dated Mar. 26, 2017 Retrieved from <https://www.amazon.co.uk/Newmowa-Rechargeable-AHDBT-302-Replacement-3-Channel/dp/B06XW6R74Z>. (Year: 2017).

“Tectra Battery”. Found online Mar. 10, 2022 at [joom.com](https://www.joom.com/en/products/5c9356006ecda80101b7f260). Reference dated Jun. 6, 2019. Retrieved from <https://www.joom.com/en/products/5c9356006ecda80101b7f260>. (Year: 2019).

“Telesin Batteries”. Found online Mar. 10, 2022 at [amazon.com](https://www.amazon.com/TELESIN-Replacement-Batteries-Function-Waterproof/dp/B07Q4C1MST) Reference dated Mar. 29, 2019. Retrieved from <https://www.amazon.com/TELESIN-Replacement-Batteries-Function-Waterproof/dp/B07Q4C1MST>.(Year: 2019).

Alex NLD AHDBT501 TinEye. Tineye.com [published Jan. 13, 2017][online][Accessed Feb. 28, 2017]<Url:<https://tineye.com/search/a068519109ac11d29440a513c6a88863d1-dc6e51/?extension.sub.--ver=chrome-1.1.5>>. 4 pages.

Amazon.com: Ailuki Rechargeable Battery 1490MAH 2 Pack and 3-Channel Charger for GoPro Hero. Published Jun. 22, 2017. Retrieved from the internet at <<https://www.amazon.com/Rechargeable-Battery-3-Channel-Compatible-Original/dp/B0734J76NN/>>, Jan. 19, 2019. 1 page. (Year: 2017).

Amazon.com: GoPro Battery (Fusion) . . . Date First Available of Feb. 1, 2018. Retrieved from the internet at <<https://www.amazon.com/GoPro-Camera-ASBBA-001-Fusion-Battery/dp/B078XY2L42/>>, Sep. 14, 2020. 1 page. (Year: 2018).

Chinese Office Action, Chinese Application No. 201430488714.2, dated Mar. 12, 2015, 3 pages.

Design U.S. Appl. No. 29/631,230, filed Feb. 28, 2017, Huy Phuong Nguyen et al., 82 pages.

Design U.S. Appl. No. 29/663,435, filed Sep. 14, 2018, Au et al., 68 pages.

Design U.S. Appl. No. 29/694,559, filed Jun. 11, 2019, Coster et al., 27 pages.

Design U.S. Appl. No. 29/699,945, filed Jul. 30, 2019, Huy Phuong Nguyen et al., 11 pages.

International Search Report and Written Opinion for App. No. PCT/CN2020/099915, dated Mar. 25, 2021, 10 pages.

International Search Report and Written Opinion for App. No. PCT/US2020/050479 dated Dec. 3, 2020, 6 pages.

International Search Report and Written Opinion for App. No. PCT/US2020/050483 dated Nov. 12, 2020, 9 pages.

Kingma Ebay. Ebay.com. [published Nov. 10, 2016][online][Accessed Feb. 28, 2017]<URL:<http://www.ebay.com/itm/KingMa-AHDBT-501-Li-ion-Battery-1220-mAh-Dual-Charger-For-Gopro-Hero-5-Camera-/272413104511>>. 4 pages.

Office Action for Taiwanese Patent Application No. TW103304745, dated Jan. 28, 2016, 3 Pages.

PCT International Search Report and Written Opinion for PCT/US2014/058465, dated Dec. 23, 2014, 17 pages.

PCT International Search Report and Written Opinion for PCT/US2014/070655, dated Apr. 29, 2015, 13 Pages.

Shophthewall Tin Eye. Tineye.com[published Feb. 9, 2017][online][Accessed Feb. 27, 2017]. <URL:<https://tineye.com/search/2432380143a2cf364f8dd9e5150bce62a316525-f/?extension.sub.--ver=chrome-1.1.5>>. 4 pages.

United States Office Action for U.S. Appl. No. 14/148,536, dated Jul. 9, 2014, 9 pages.

United States Office Action for U.S. Appl. No. 14/536,683, dated Dec. 18, 2014, 14 Pages.

United States Office Action for U.S. Appl. No. 14/536,683, dated Jun. 9, 2015, 16 pages.

United States Office Action for U.S. Appl. No. 14/536,683, dated Sep. 21, 2015. 15 Pages.

United States Office Action, U.S. Appl. No. 29/576,880, dated Mar. 9, 2017, 13 pages.

Youtube.com: Ailuki Battery Charger for GoPro Hero 5/6/7 at ~9 seconds; published by Jake Wipp on Mar. 15, 2019; retrieved from the internet at <<<https://www.youtube.com/watch?v=M13sf6NBkVE>>> on Apr. 24, 2019; 1 page.

* cited by examiner

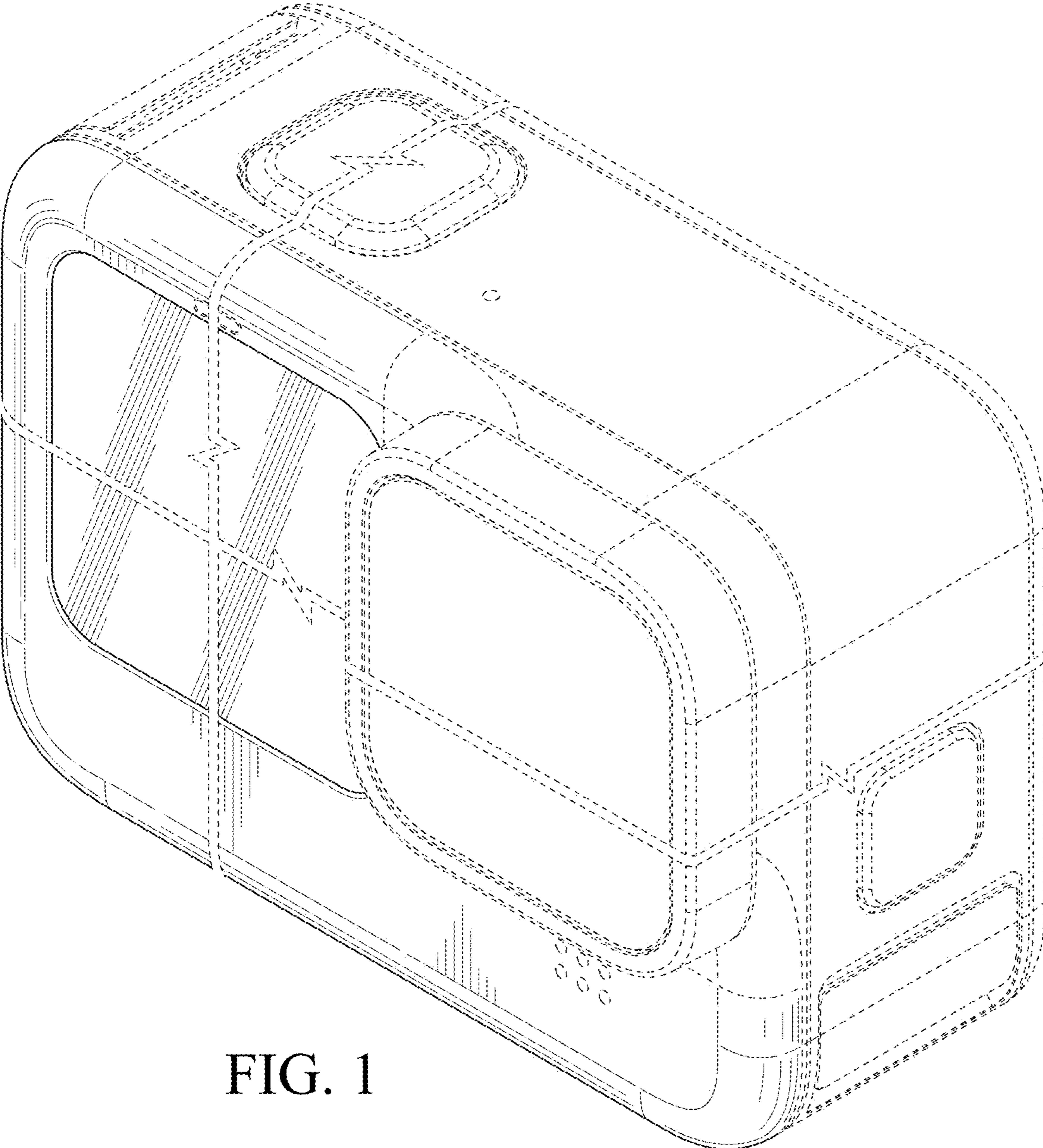


FIG. 1

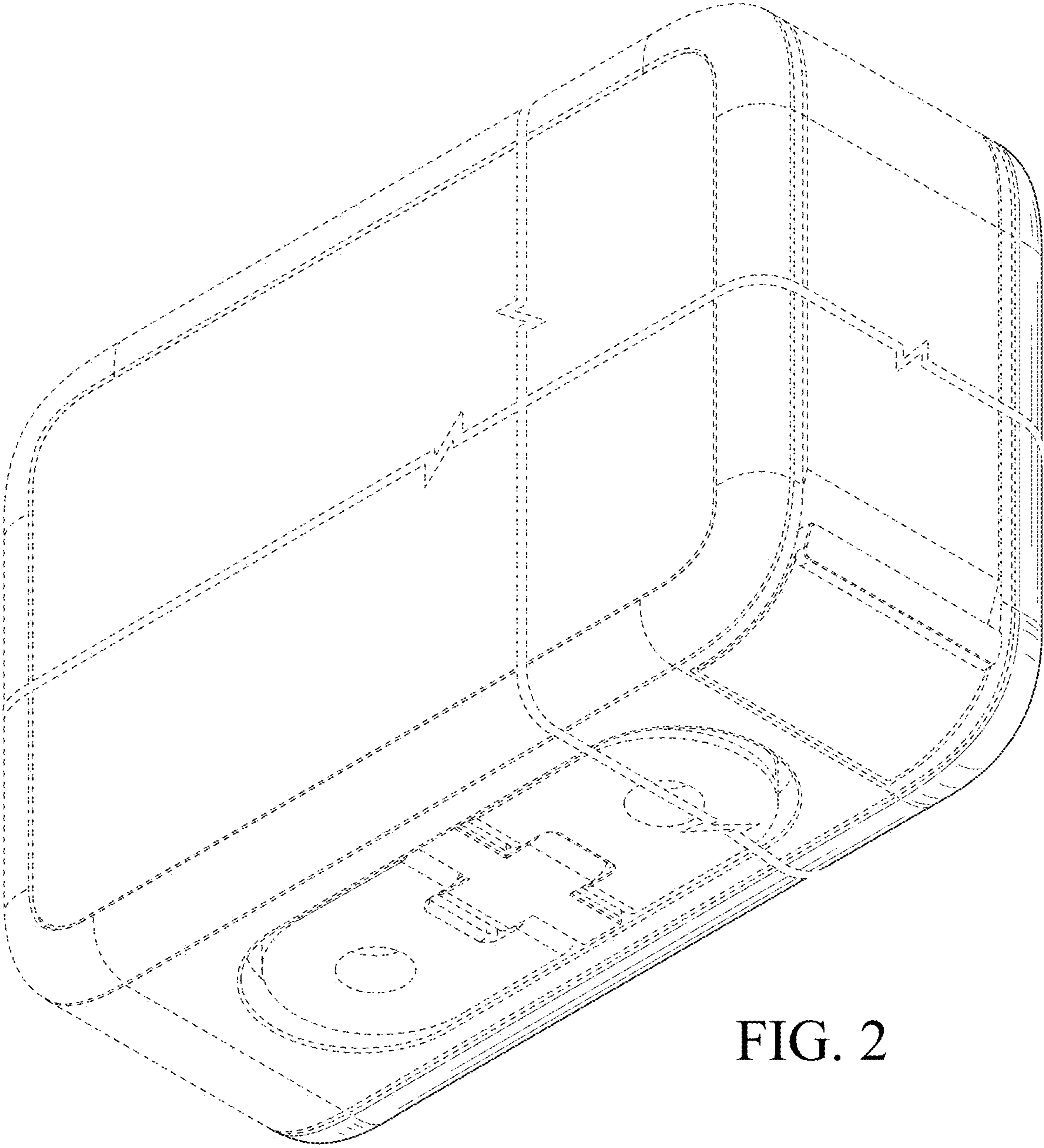


FIG. 2

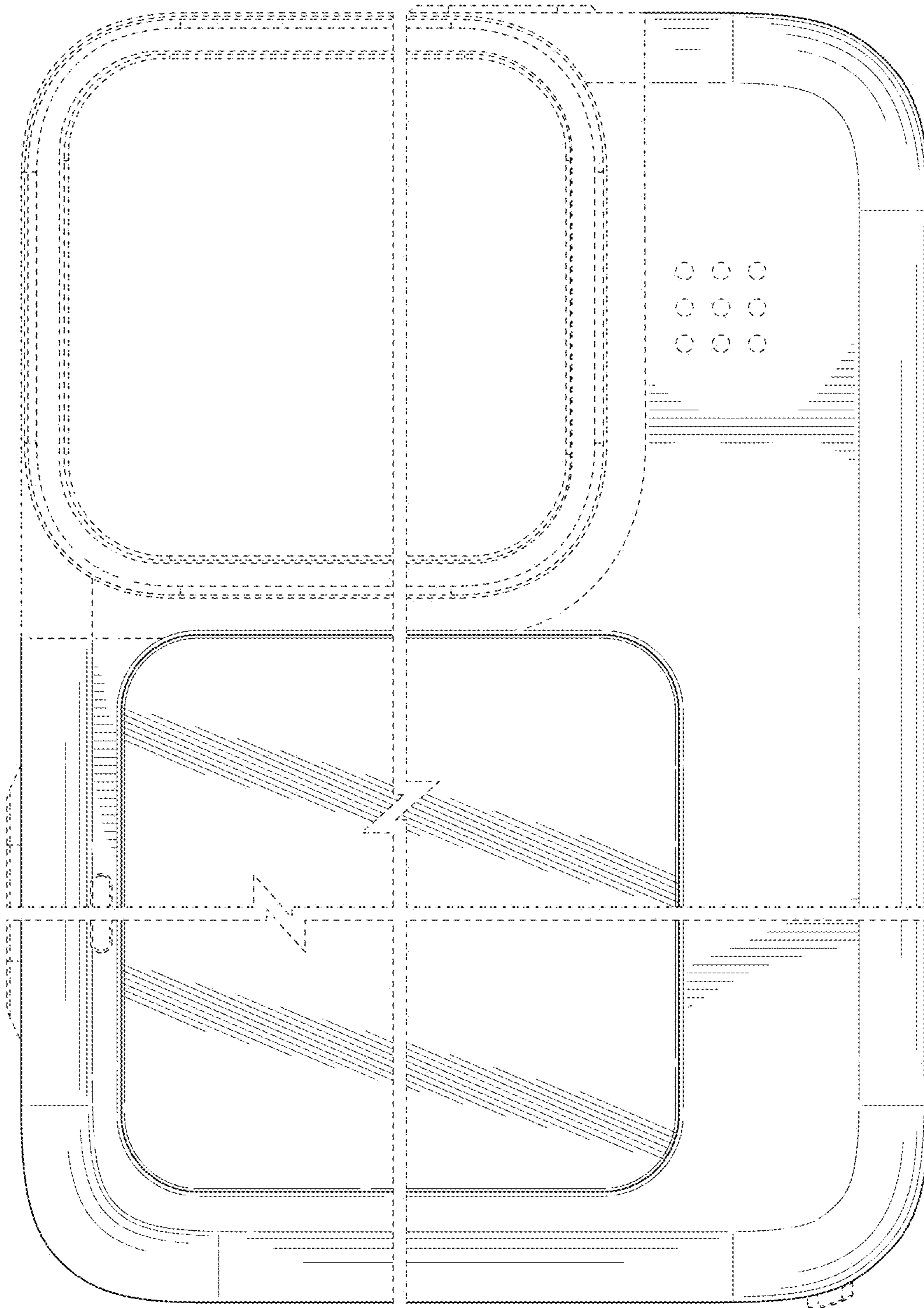


FIG. 3

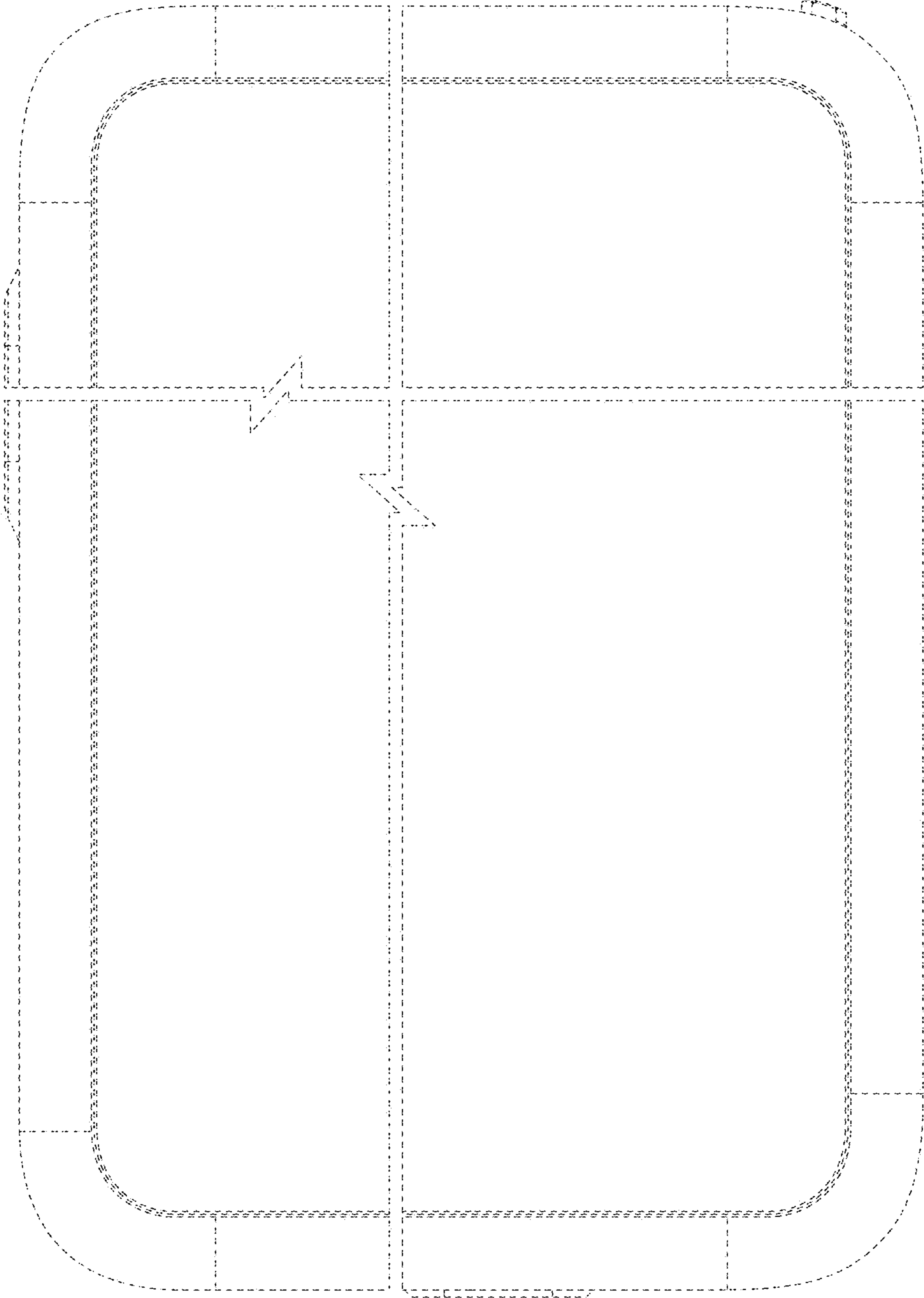


FIG. 4

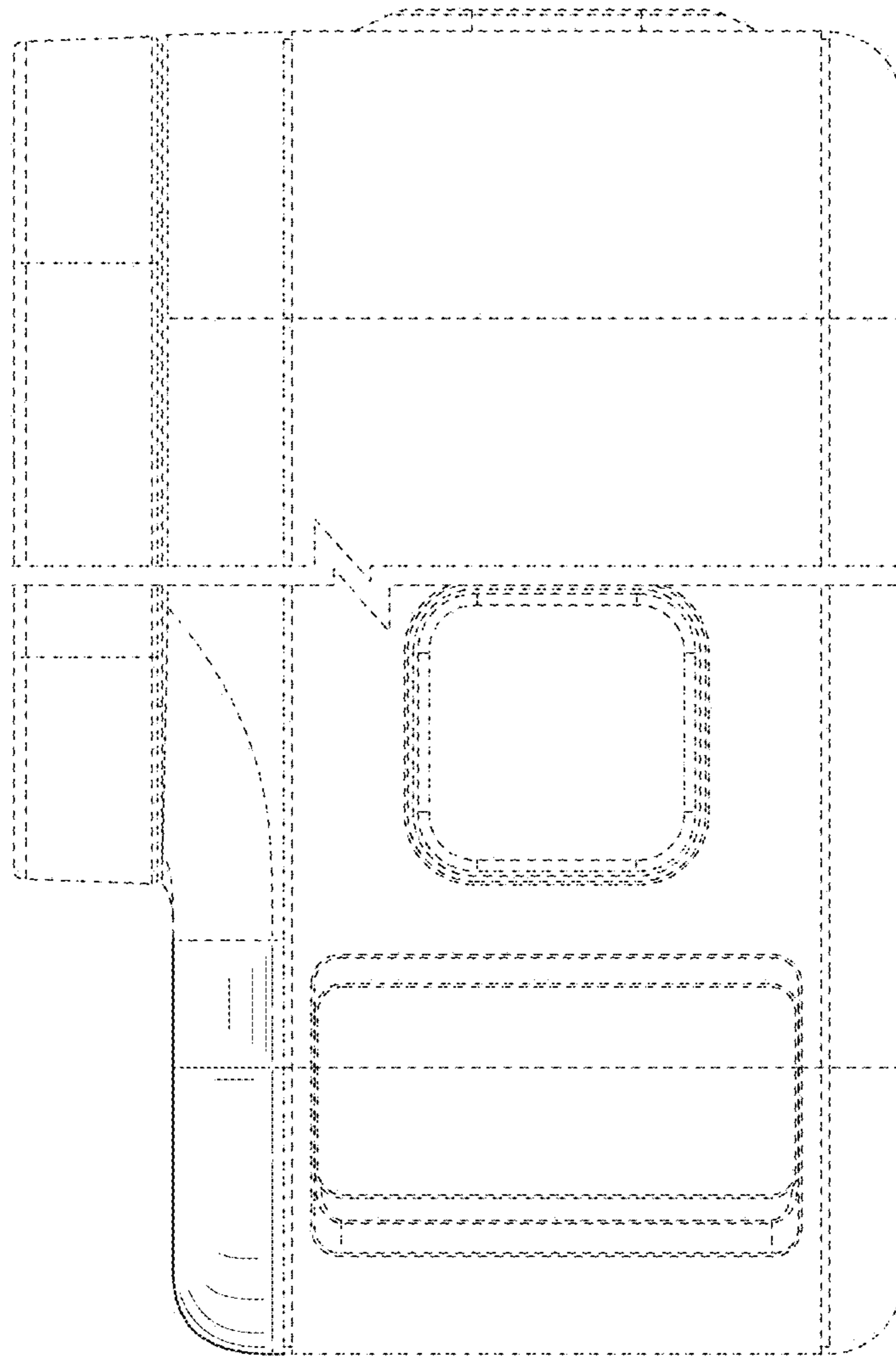


FIG. 5

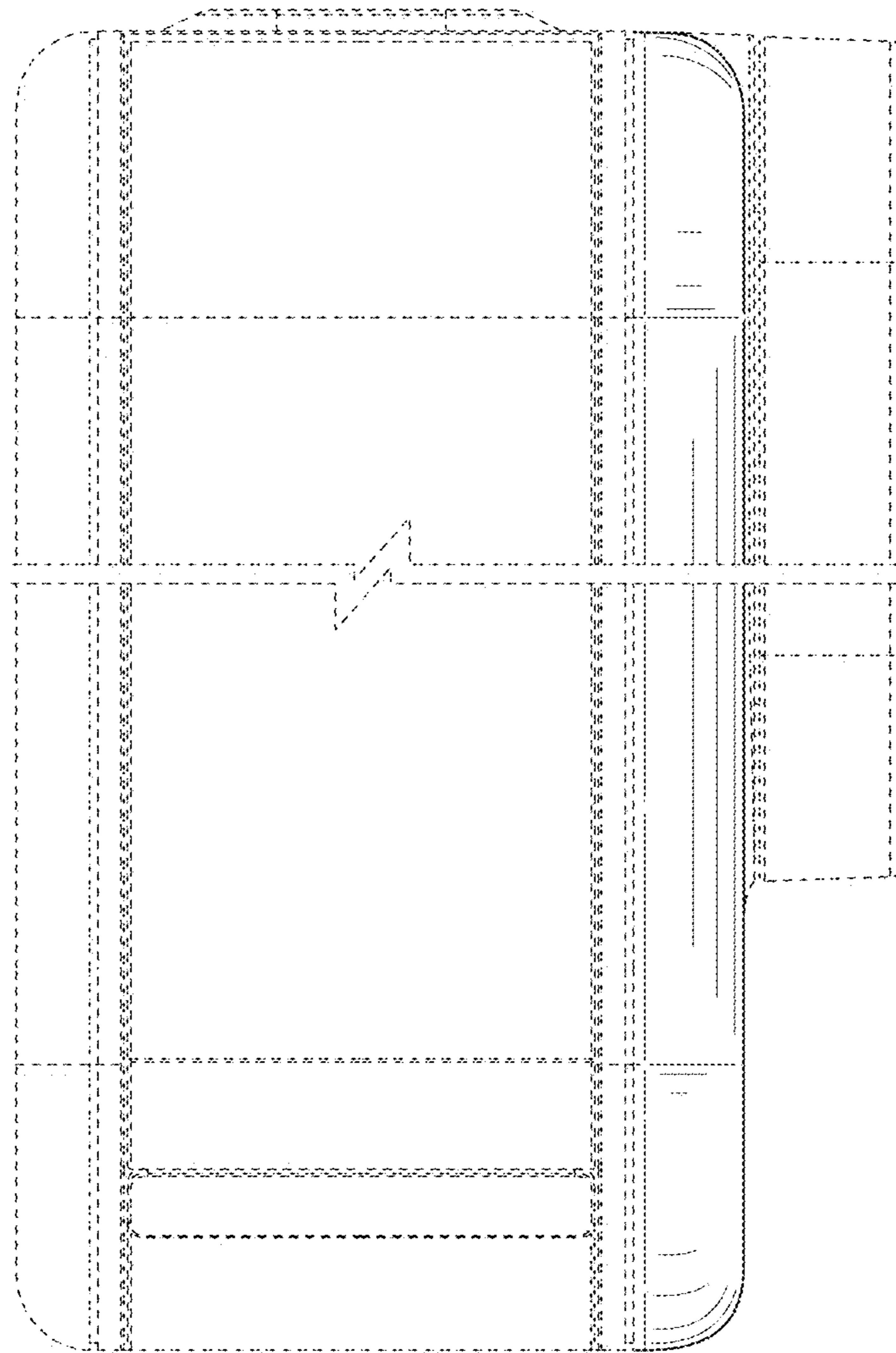


FIG. 6

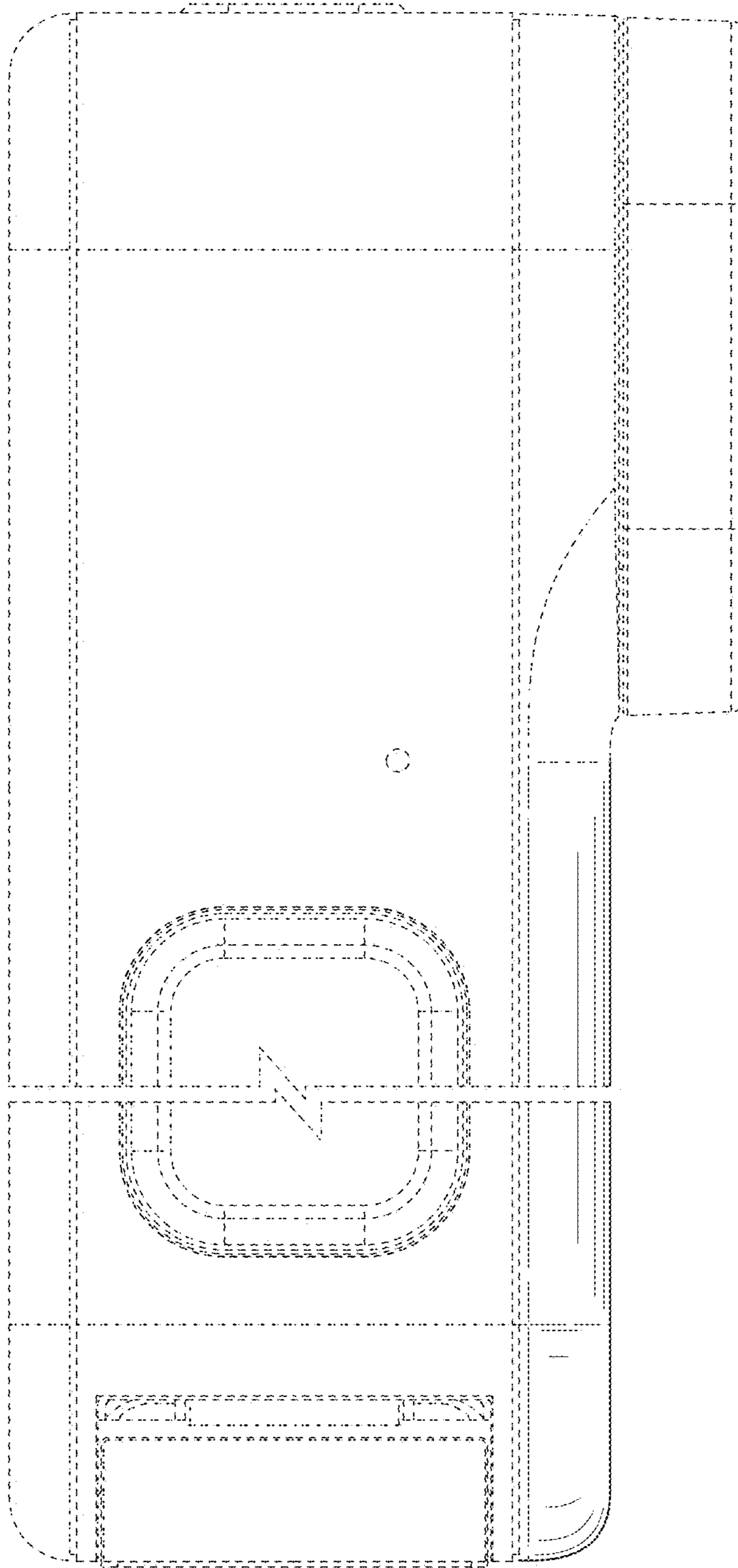


FIG. 7

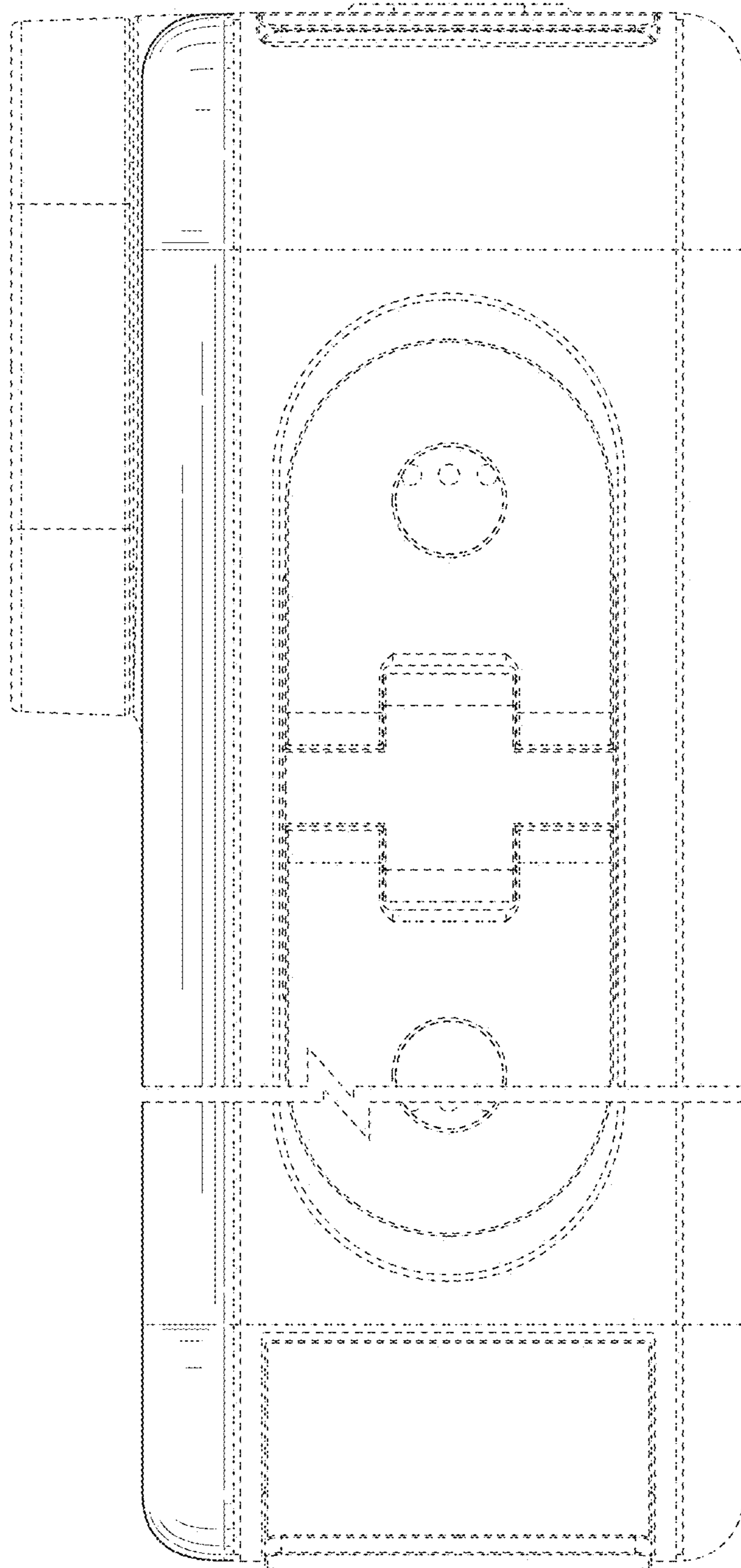


FIG. 8