



US00D963021S

(12) **United States Design Patent** (10) **Patent No.:** **US D963,021 S**  
**England et al.** (45) **Date of Patent:** **\*\* Sep. 6, 2022**

(54) **SECURITY CAMERA**

(71) Applicant: **Amazon Technologies, Inc.**, Seattle, WA (US)

(72) Inventors: **Matthew J. England**, Santa Monica, CA (US); **Wen-Yo Lu**, Pasadena, CA (US); **Christopher Loew**, Palo Alto, CA (US)

(73) Assignee: **Amazon Technologies, Inc.**, Seattle, WA (US)

(\*\*) Term: **15 Years**

(21) Appl. No.: **29/759,447**

(22) Filed: **Nov. 23, 2020**

**Related U.S. Application Data**

(62) Division of application No. 29/706,831, filed on Sep. 24, 2019, now Pat. No. Des. 902,978.

(51) **LOC (13) Cl.** ..... **16-05**

(52) **U.S. Cl.**  
USPC ..... **D16/219; D16/203**

(58) **Field of Classification Search**  
USPC ..... D16/200, 202-206, 208, 218, 219, 242;  
348/143, 148, 151, 373-376; 396/419,  
396/427, 535, 539-541  
CPC ..... G03B 17/02; G03B 19/04; G03B 17/56;  
G03B 17/04; G03B 15/03; H04N 5/2251;  
H04N 5/2252; H04N 5/2253; H04N  
5/2254; H04N 7/181; H04N 7/183; H04N  
7/18; G08B 13/1963; G08B 13/19619;  
G08B 13/19632; F16M 11/04; F16M  
13/00

See application file for complete search history.

(56) **References Cited**

**U.S. PATENT DOCUMENTS**

D349,714 S 8/1994 Hasegawa  
D401,257 S \* 11/1998 Iino ..... D16/202

D518,080 S 3/2006 Uehara  
D618,265 S \* 6/2010 Wozniak ..... D16/202  
D701,893 S 4/2014 Bart et al.  
D747,383 S 1/2016 Li  
D781,361 S 3/2017 Dimitriadis et al.  
D795,941 S 8/2017 Dimitriadis et al.  
D798,935 S 10/2017 Dimitriadis et al.  
D810,169 S 2/2018 Bhattacharya  
D817,379 S \* 5/2018 Laurans ..... D16/219  
D818,515 S 5/2018 Laurans et al.  
D821,477 S 6/2018 Moon et al.  
D834,631 S 11/2018 Park  
D840,965 S \* 2/2019 Ke ..... D14/159  
D842,358 S 3/2019 Puric et al.  
D865,025 S 10/2019 Siminoff et al.  
D874,552 S \* 2/2020 Loew ..... D16/219  
D875,159 S \* 2/2020 Siminoff ..... D16/203  
D879,177 S \* 3/2020 Siminoff ..... D16/203  
D896,864 S \* 9/2020 Hasani ..... D16/203  
10,761,409 B2 \* 9/2020 Vega ..... G03B 17/02

(Continued)

*Primary Examiner* — Ramzi Almatrahi

(74) *Attorney, Agent, or Firm* — Lee & Hayes, P.C.

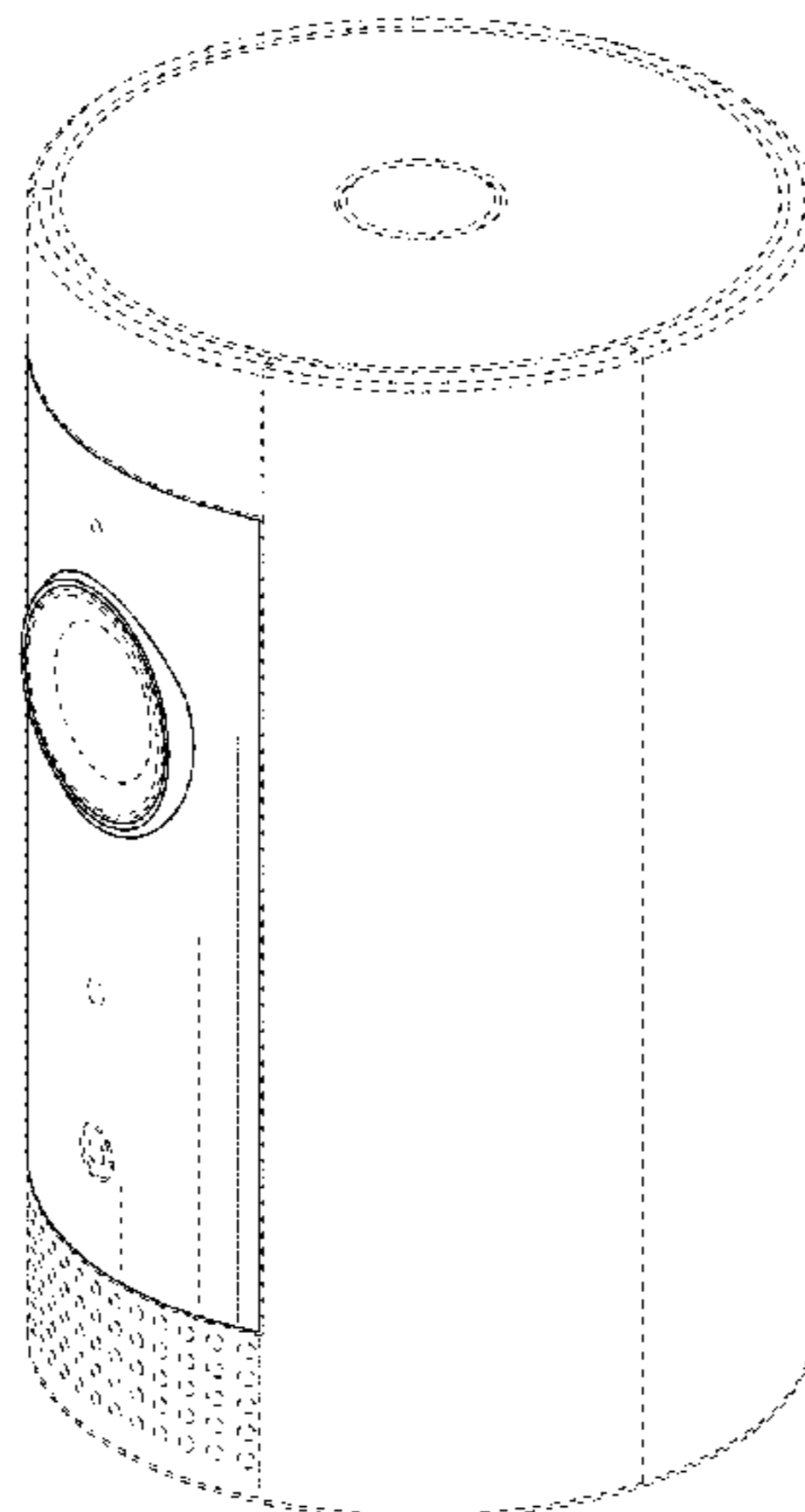
(57) **CLAIM**

The ornamental design for a security camera, as shown and described.

**DESCRIPTION**

FIG. 1 is a top, front, and right-side perspective view of a security camera;  
FIG. 2 is a front elevation view thereof;  
FIG. 3 is a back elevation view thereof;  
FIG. 4 is a left-side elevation view thereof;  
FIG. 5 is a right-side elevation view thereof;  
FIG. 6 is a top plan view thereof; and,  
FIG. 7 is a bottom plan view thereof.  
The dashed broken lines depict portions of the security camera that form no part of the claimed design.

**1 Claim, 7 Drawing Sheets**



(56)

**References Cited**

U.S. PATENT DOCUMENTS

D899,483 S \* 10/2020 Leiponis ..... D16/203  
D902,281 S \* 11/2020 Yang ..... D16/203  
D902,977 S \* 11/2020 England ..... D16/203  
D912,716 S \* 3/2021 Sasaki ..... D16/202

\* cited by examiner

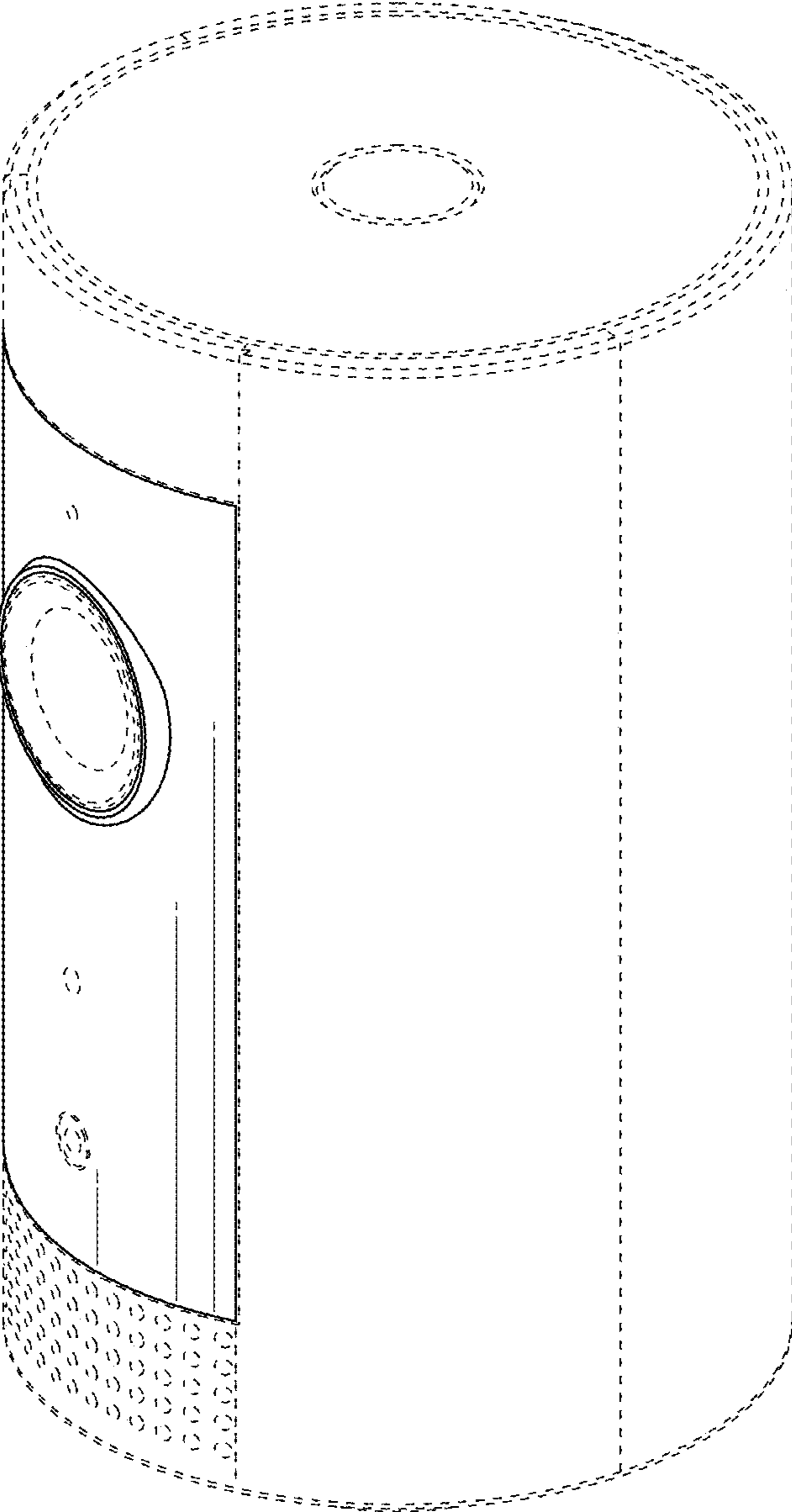


FIG. 1

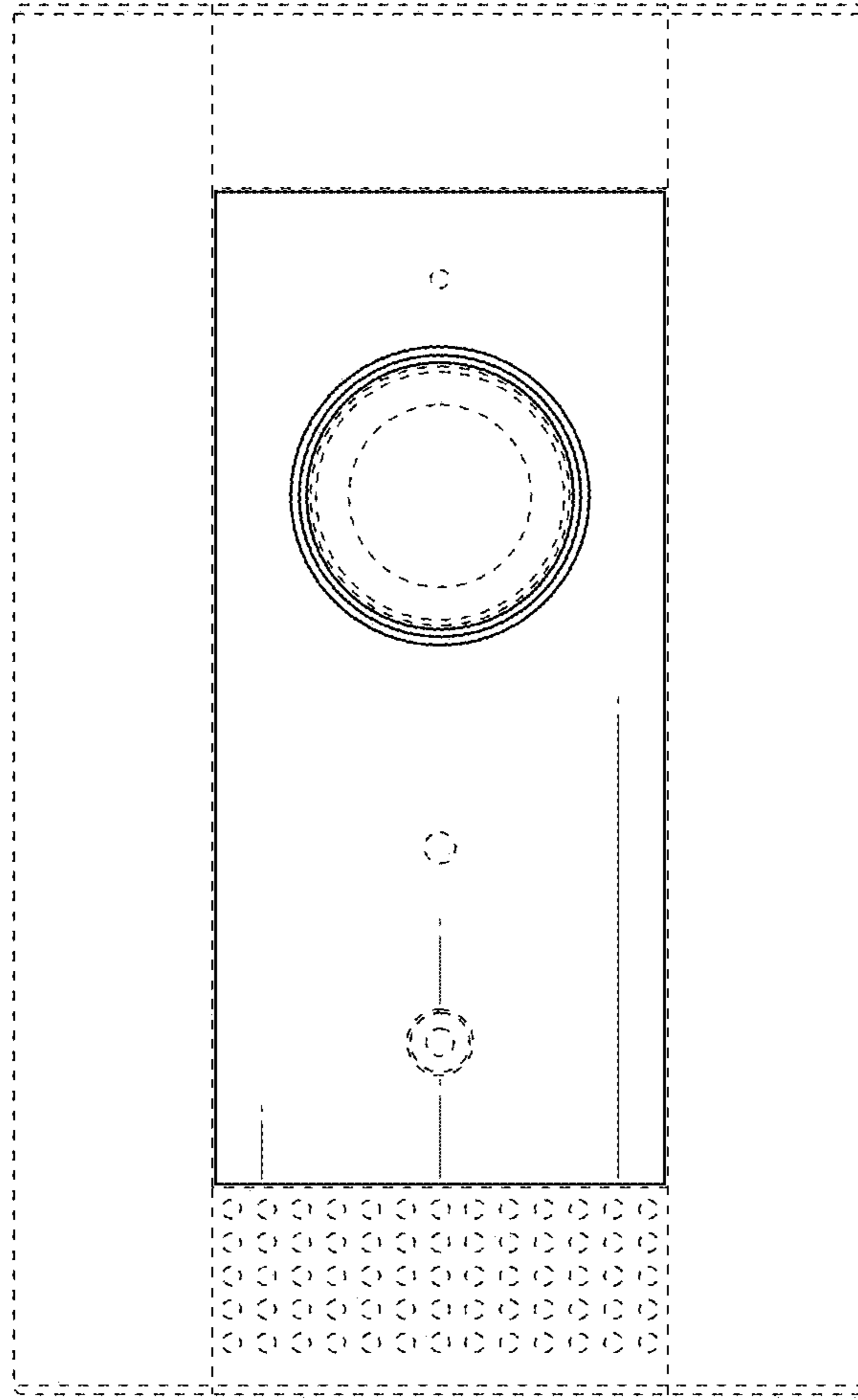


FIG. 2

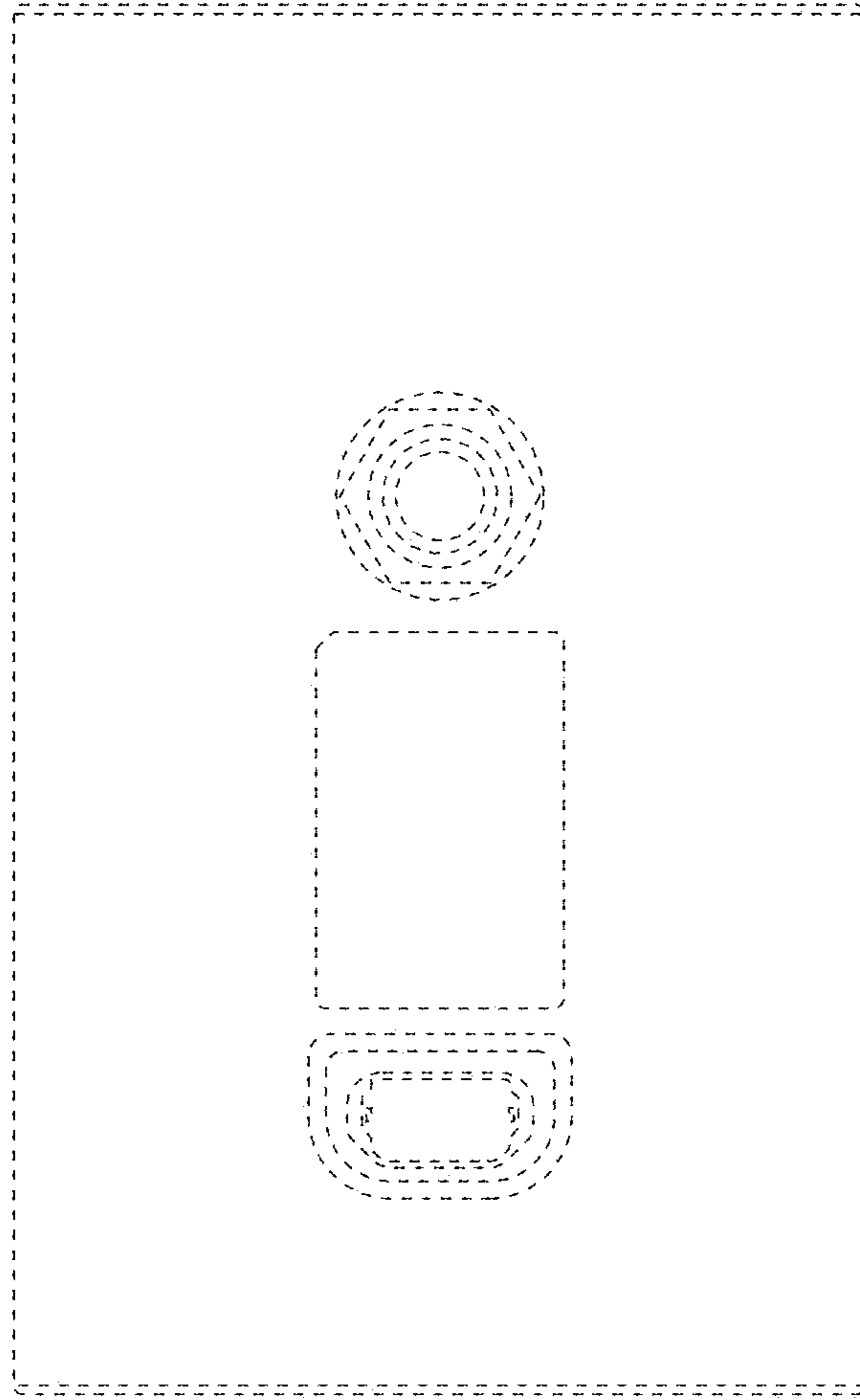


FIG. 3

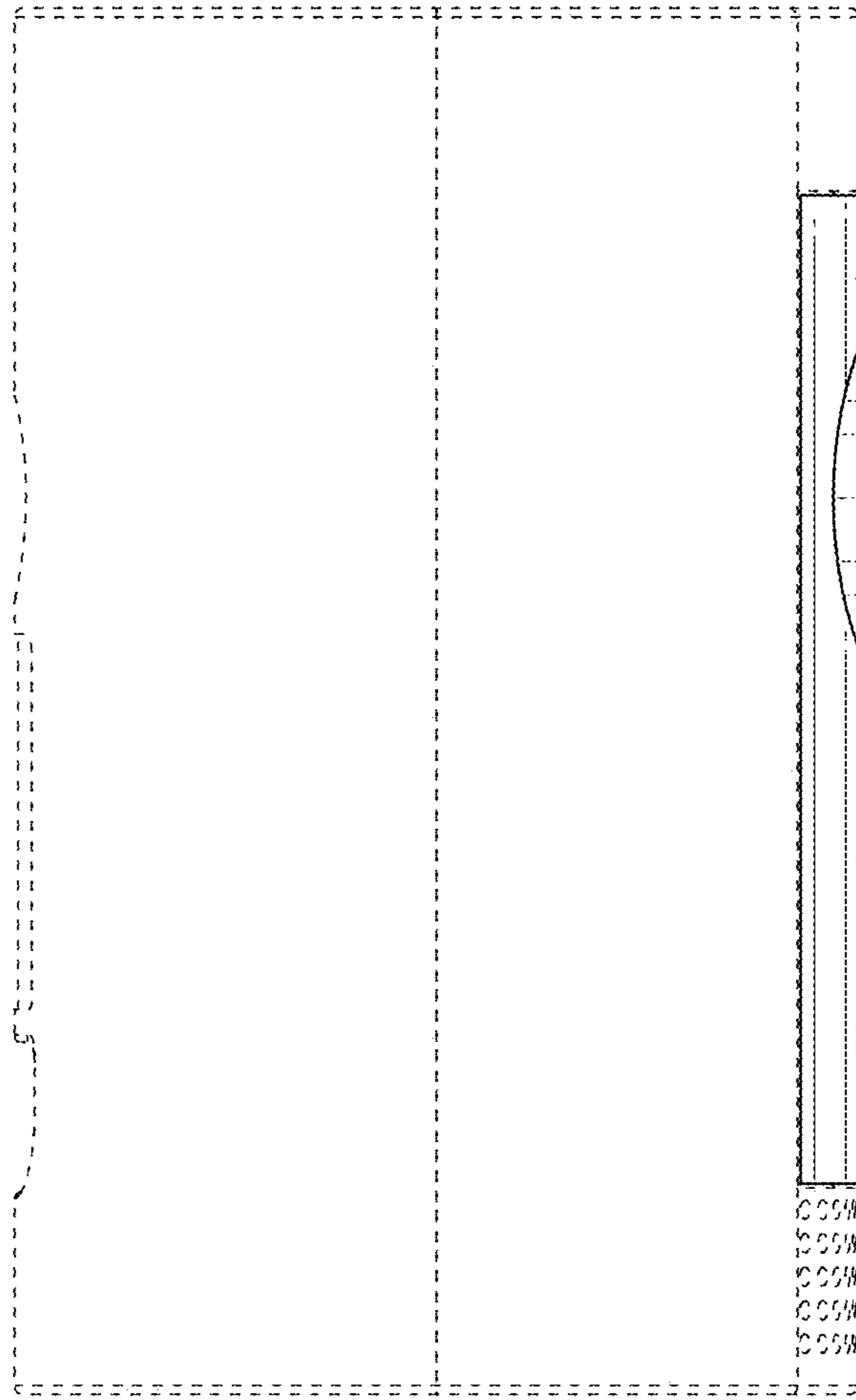


FIG. 4

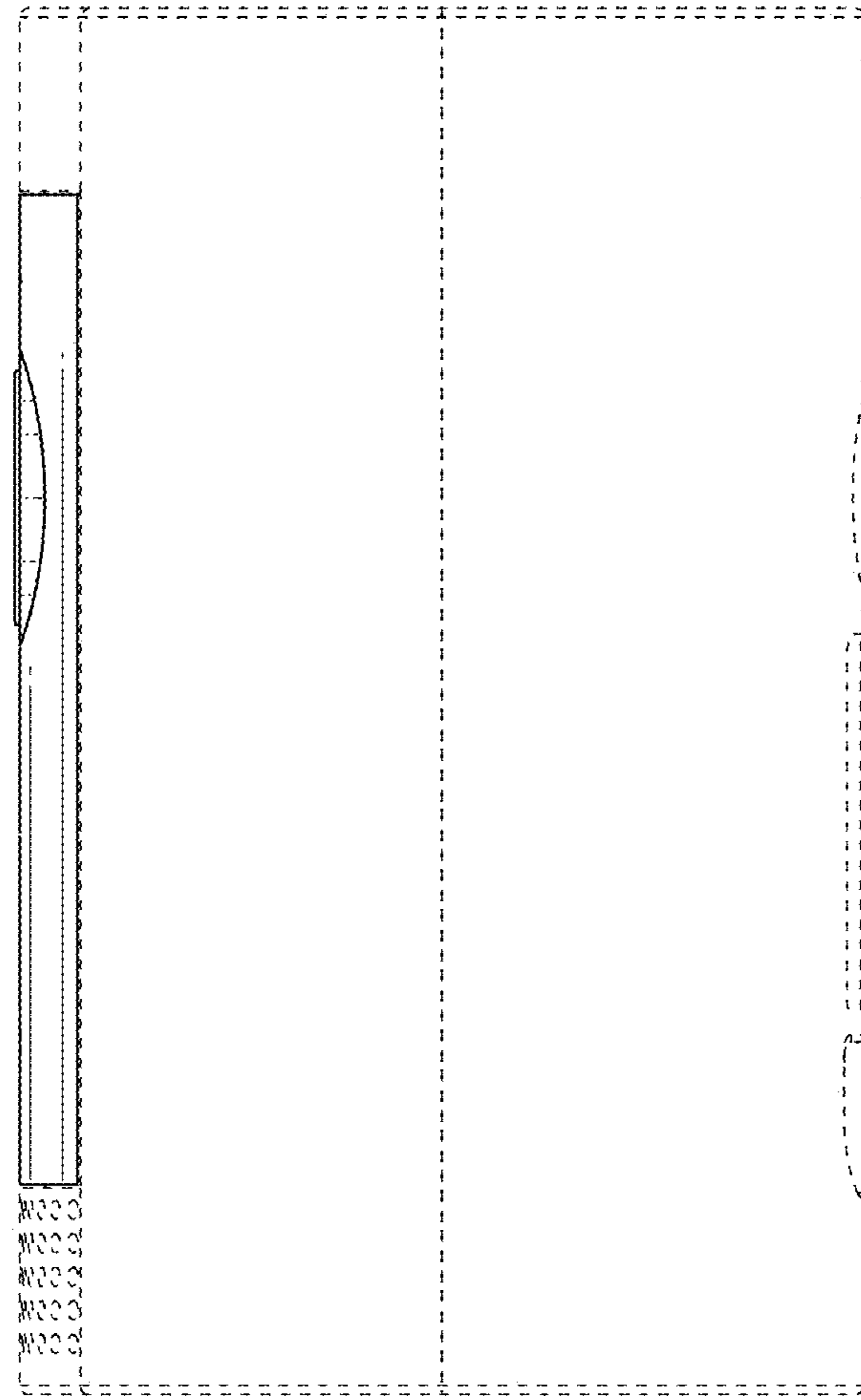


FIG. 5

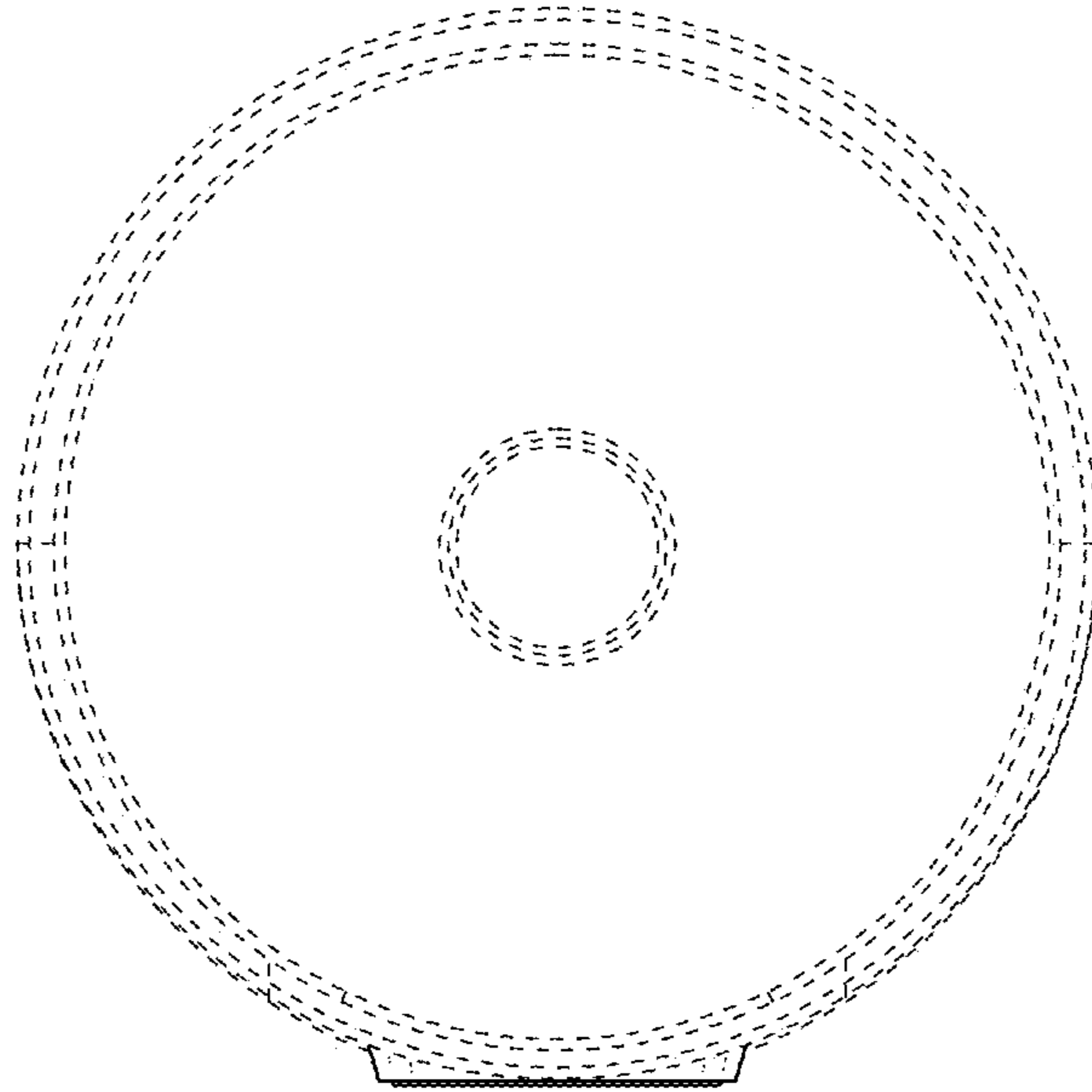


FIG. 6



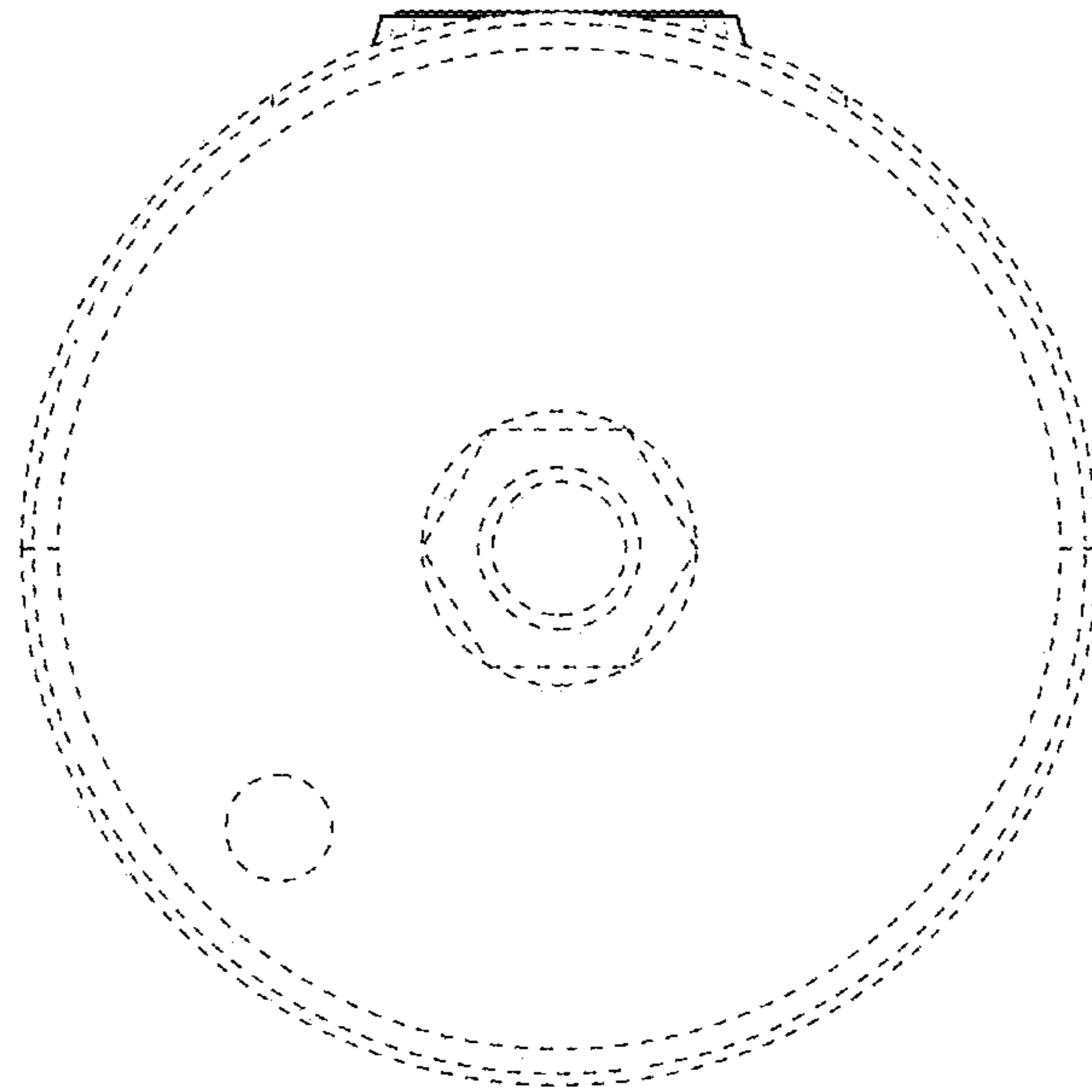


FIG. 7