



US00D963019S

(12) **United States Design Patent** (10) **Patent No.:** **US D963,019 S**  
**Chen** (45) **Date of Patent:** **\*\* Sep. 6, 2022**

(54) **BABY MONITOR**

(71) Applicant: **Kaiyang Chen**, Guangdong (CN)

(72) Inventor: **Kaiyang Chen**, Guangdong (CN)

(\*\*) Term: **15 Years**

(21) Appl. No.: **29/760,553**

(22) Filed: **Dec. 2, 2020**

(51) **LOC (13) Cl.** ..... **16-01**

(52) **U.S. Cl.**

USPC ..... **D16/203**

(58) **Field of Classification Search**

USPC ..... D16/200–204, 207–208, 218–219;  
D10/46, 61, 62, 65, 70, 71, 104.1, 106.6,  
D10/106.7; D14/203.1, 204, 209.1, 496  
CPC ..... G03B 15/03; G03B 17/02; G03B 17/04;  
G03B 17/56; G03B 19/04; H04N 7/141;  
H04N 7/142; H04N 7/147; H04N 7/148;  
H04N 7/15; H04N 7/152; H04N 5/2251;  
H04N 5/2252; H04N 5/2253; H04N  
5/2254; H04N 5/23216; H04N 5/232939;  
H04N 2101/00; H04N 2007/145

See application file for complete search history.

(56) **References Cited**

**U.S. PATENT DOCUMENTS**

|            |   |         |       |       |         |
|------------|---|---------|-------|-------|---------|
| D610,185 S | * | 2/2010  | Chou  | ..... | D16/218 |
| D631,079 S | * | 1/2011  | Tzeng | ..... | D16/202 |
| D632,718 S | * | 2/2011  | Tzeng | ..... | D16/202 |
| D632,719 S | * | 2/2011  | Tsai  | ..... | D16/202 |
| D636,422 S | * | 4/2011  | Hou   | ..... | D16/202 |
| D651,230 S | * | 12/2011 | Tan   | ..... | D16/202 |
| D660,338 S | * | 5/2012  | Chen  | ..... | D16/202 |

**FOREIGN PATENT DOCUMENTS**

|    |                |   |        |
|----|----------------|---|--------|
| CN | 303096125      | * | 2/2015 |
| EM | 002953281-0002 | * | 2/2016 |
| TW | 139003-0001    | * | 2/2011 |

**OTHER PUBLICATIONS**

“Wireless Video Baby Monitor 3.5 inch LCD Digital Baby Nursing Babysitter Lullaby Temperature Detection 2-way Talk baby Camera” from AliExpress.com, first retrieved Mar. 23, 2022 from the internet <[https://www.aliexpress.com/item/32780646529.html?af=homeimprovementproducts0641&cv=32780646529&cn=24102017&dp=Security+%26+Protection&aff\\_fcid=2556d8fdb58e49fc8acc95d86be96a1e-1648070540960-05927-AAae2f6&aff\\_fsk=AAae2f6&aff\\_platform=aaf&sk=AAae2f6&aff\\_trace\\_key=2556d8fdb58e49fc8acc95d86be96a1e-1648070540960-05927-AAae2f6&terminal\\_id=e670f178c53046dfbc6bf68a5a503186](https://www.aliexpress.com/item/32780646529.html?af=homeimprovementproducts0641&cv=32780646529&cn=24102017&dp=Security+%26+Protection&aff_fcid=2556d8fdb58e49fc8acc95d86be96a1e-1648070540960-05927-AAae2f6&aff_fsk=AAae2f6&aff_platform=aaf&sk=AAae2f6&aff_trace_key=2556d8fdb58e49fc8acc95d86be96a1e-1648070540960-05927-AAae2f6&terminal_id=e670f178c53046dfbc6bf68a5a503186)>.\*

\* cited by examiner

*Primary Examiner* — Rosemary K Tarcza

*Assistant Examiner* — Lacey Chey Bowman

(74) *Attorney, Agent, or Firm* — Wayne IP LLC

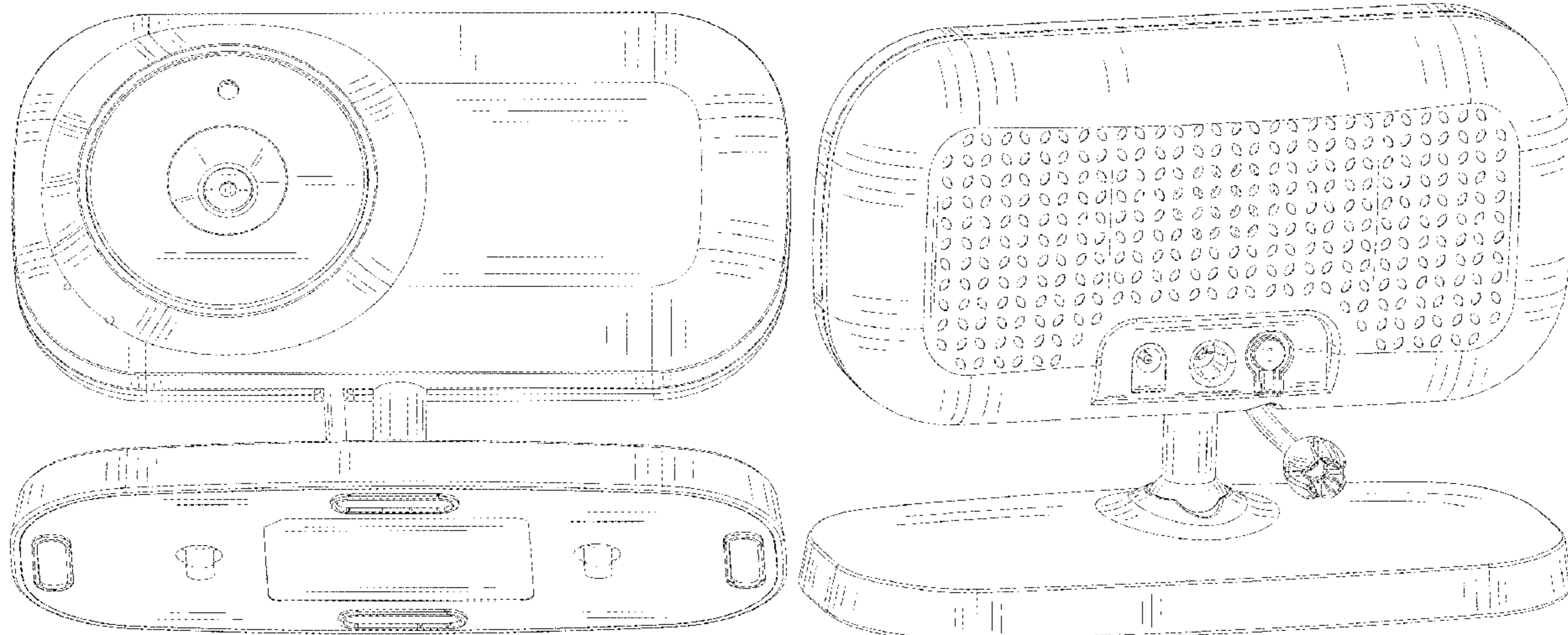
(57) **CLAIM**

The ornamental design for a baby monitor, as shown and described.

**DESCRIPTION**

FIG. 1 is a perspective view of a baby monitor showing our new design;  
FIG. 2 is another perspective view thereof;  
FIG. 3 is a front view thereof;  
FIG. 4 is a back view thereof;  
FIG. 5 is an enlarged left view thereof;  
FIG. 6 is an enlarged right view thereof;  
FIG. 7 is a top view thereof;  
FIG. 8 is a bottom view thereof; and,  
FIG. 9 is an enlarged view of portion 9 shown in FIG. 5. The broken lines shown on the drawings depict portions of the baby monitor that form no part of the claimed design. The oval broken line shown in FIGS. 5 and 9 is for the purpose of illustrating the boundary of the enlarged fragment shown in FIG. 9, and forms no part of the claimed design.

**1 Claim, 9 Drawing Sheets**



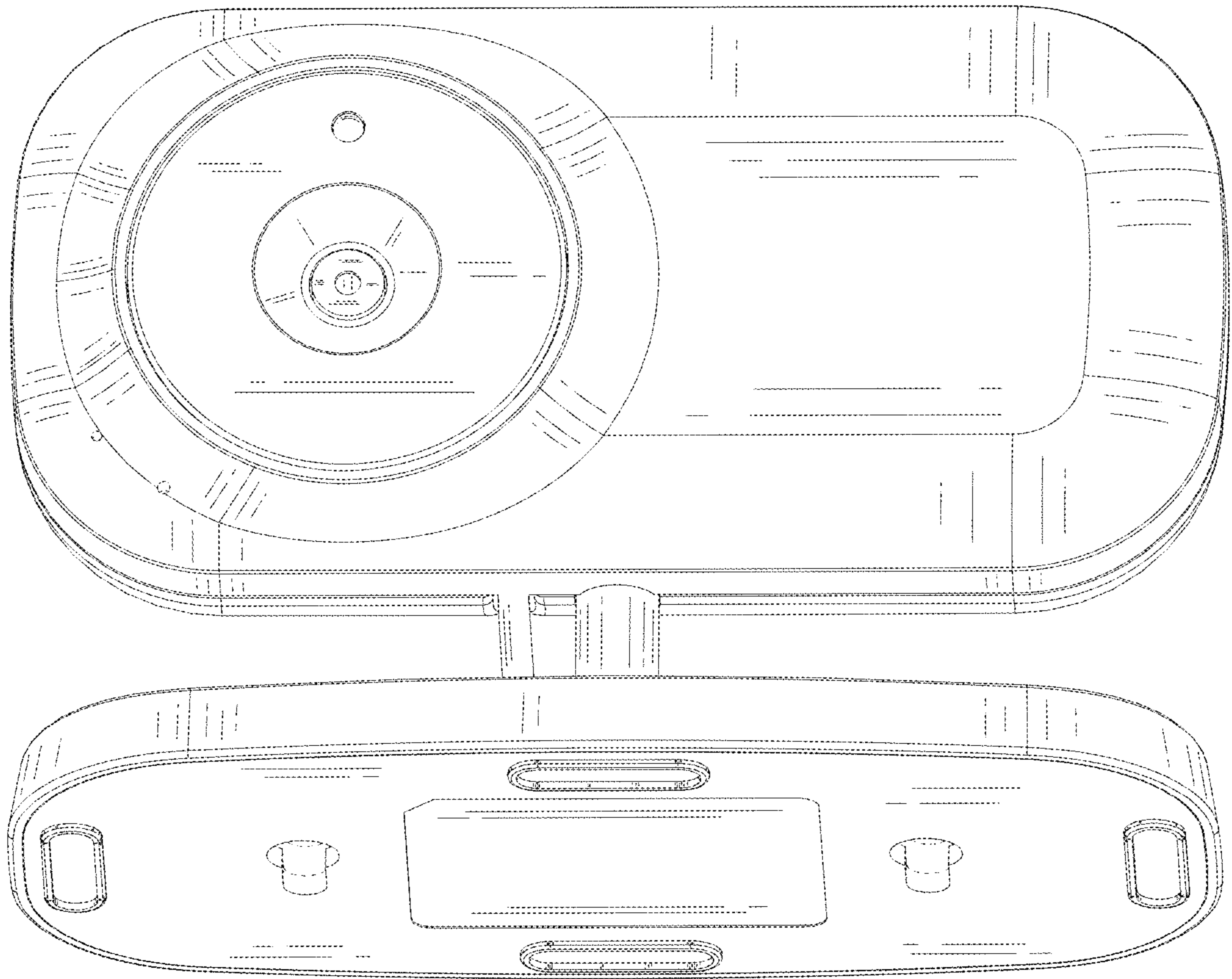


FIG. 1

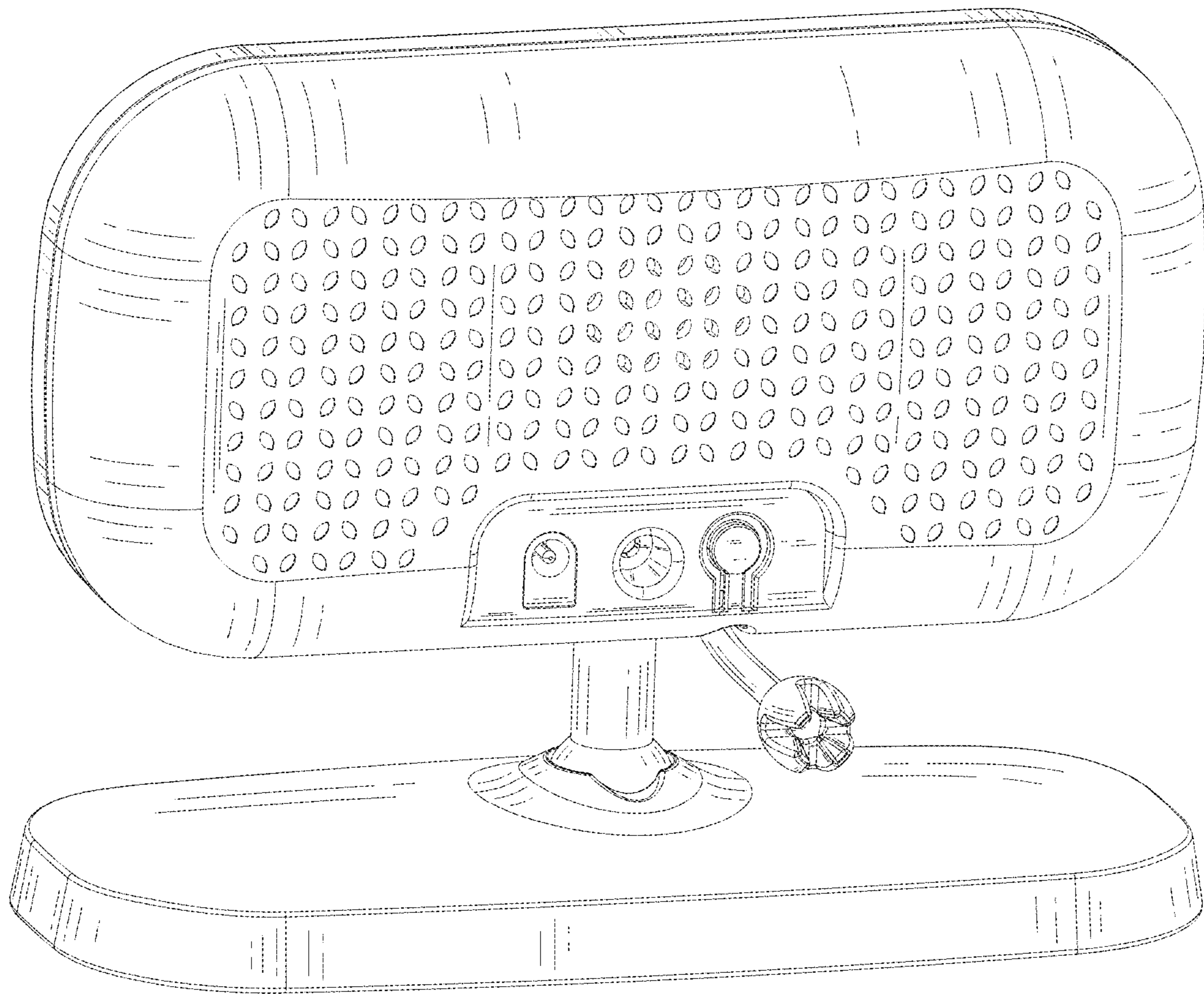


FIG. 2

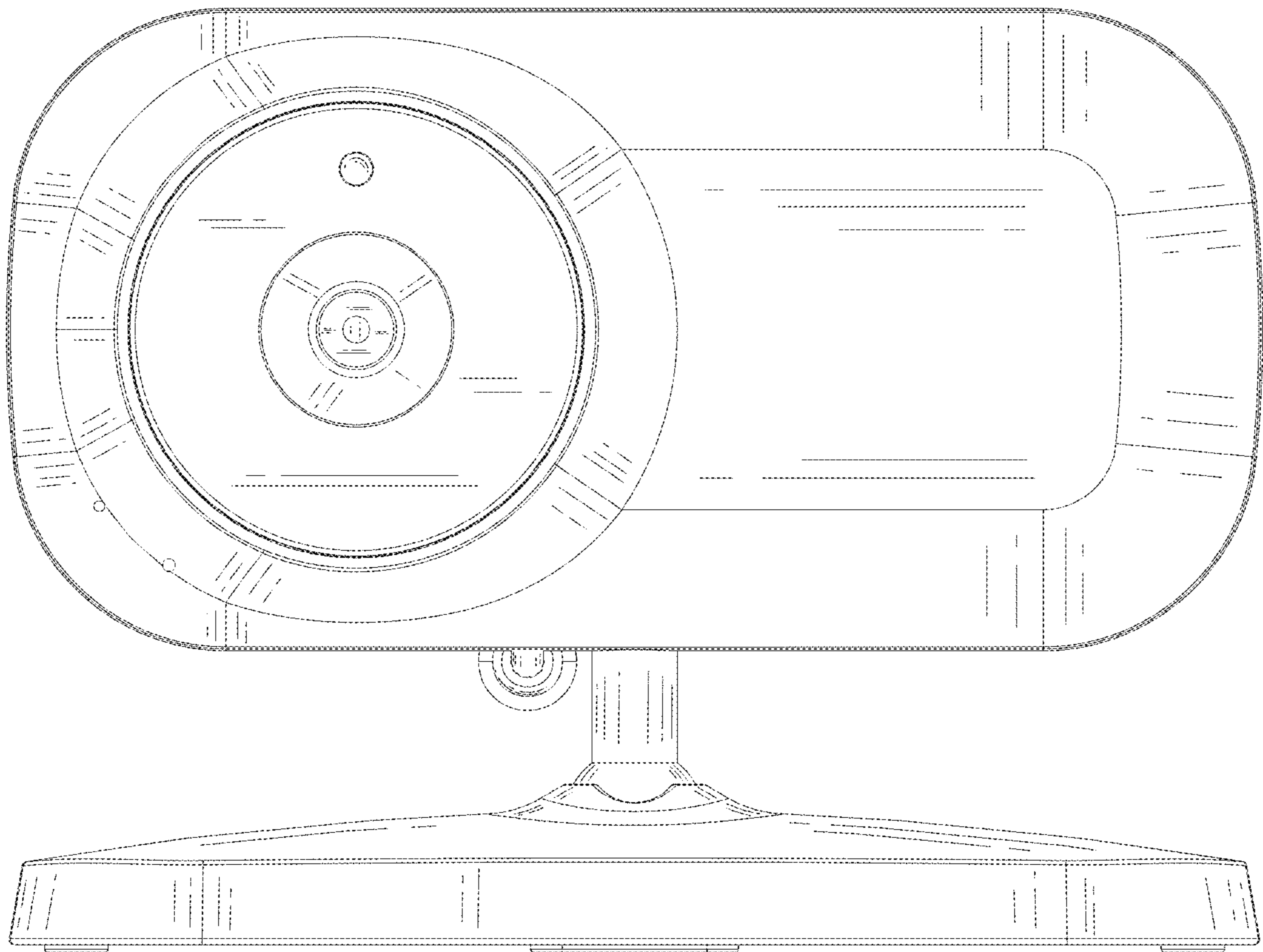


FIG. 3

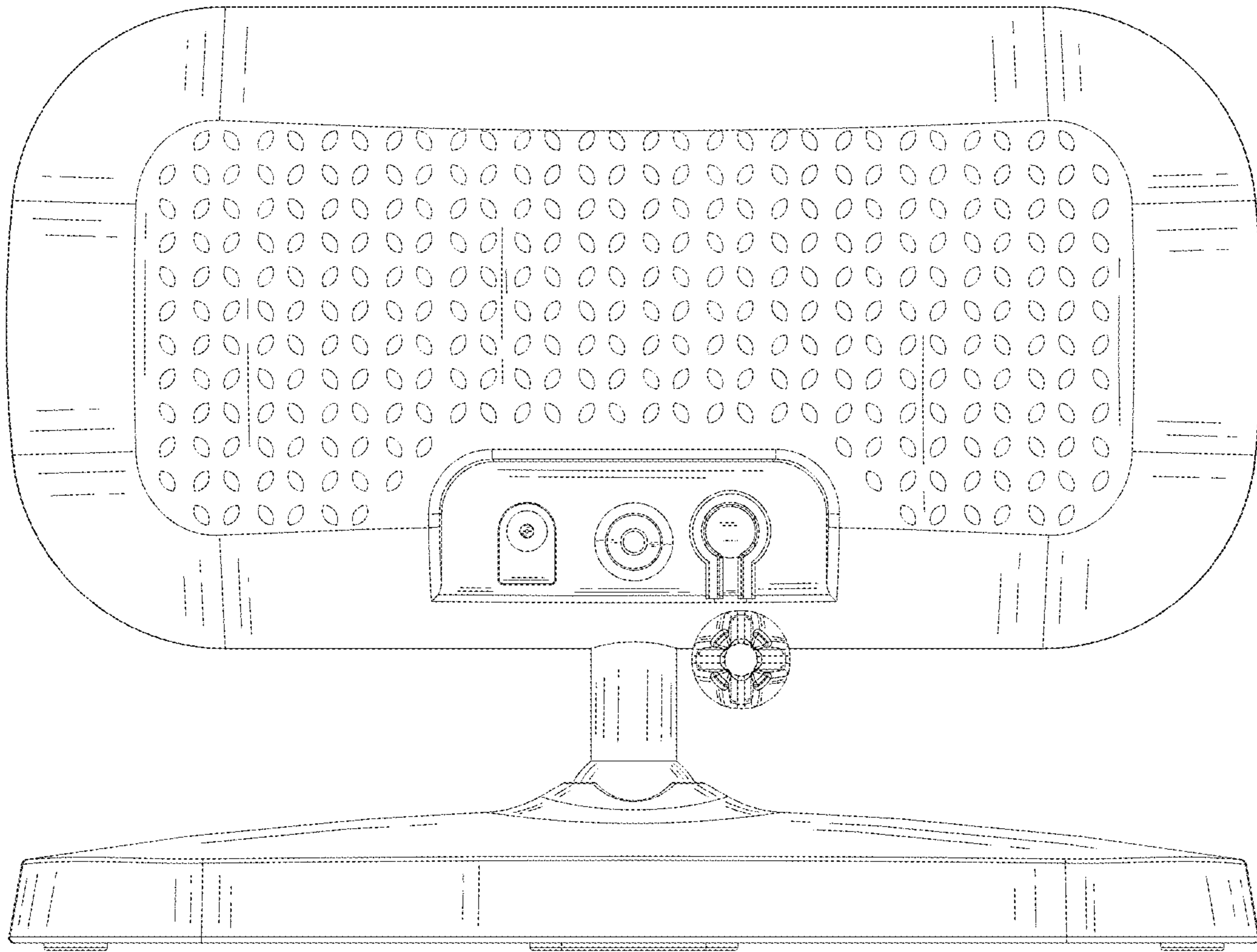


FIG. 4

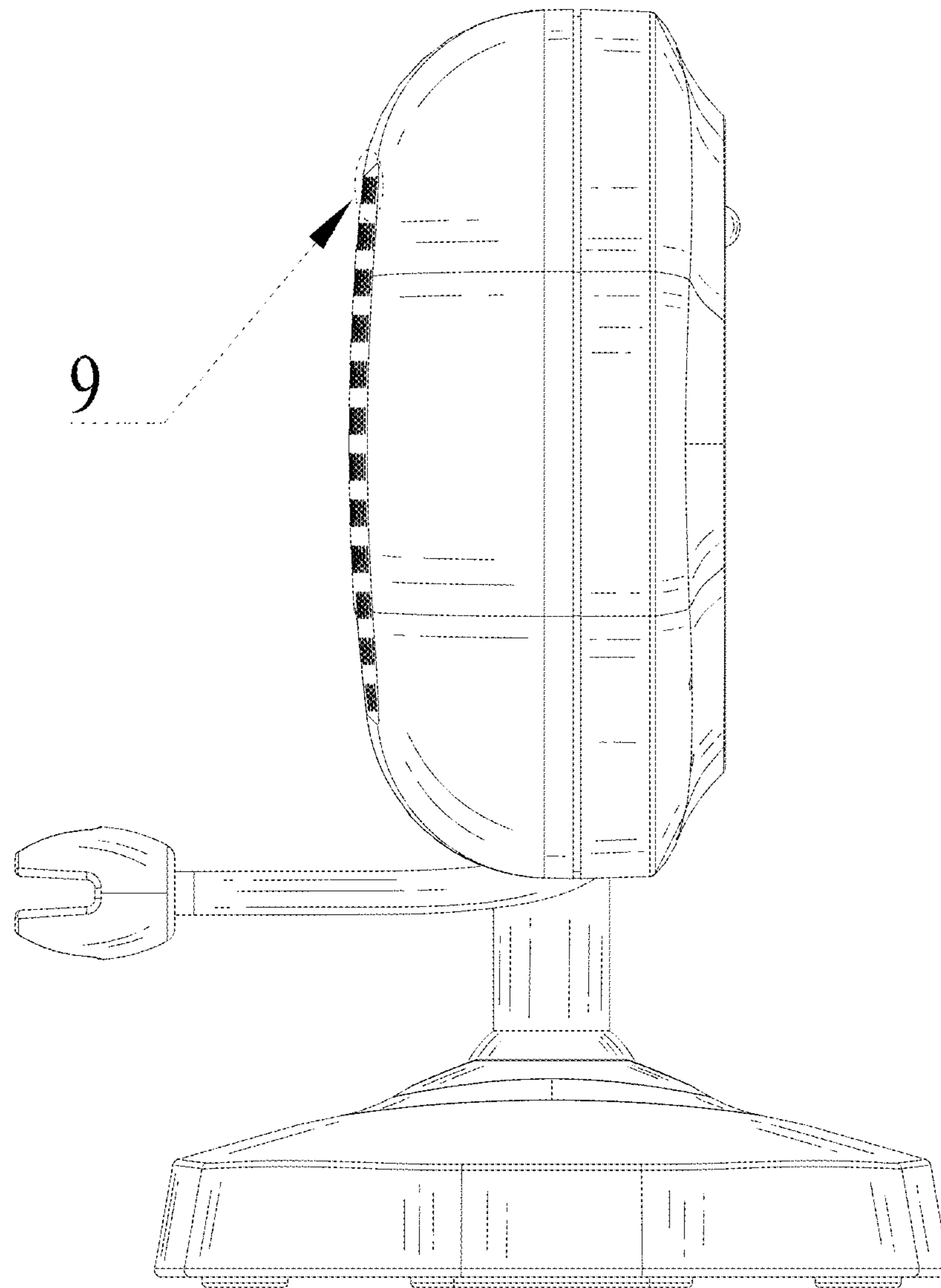


FIG. 5

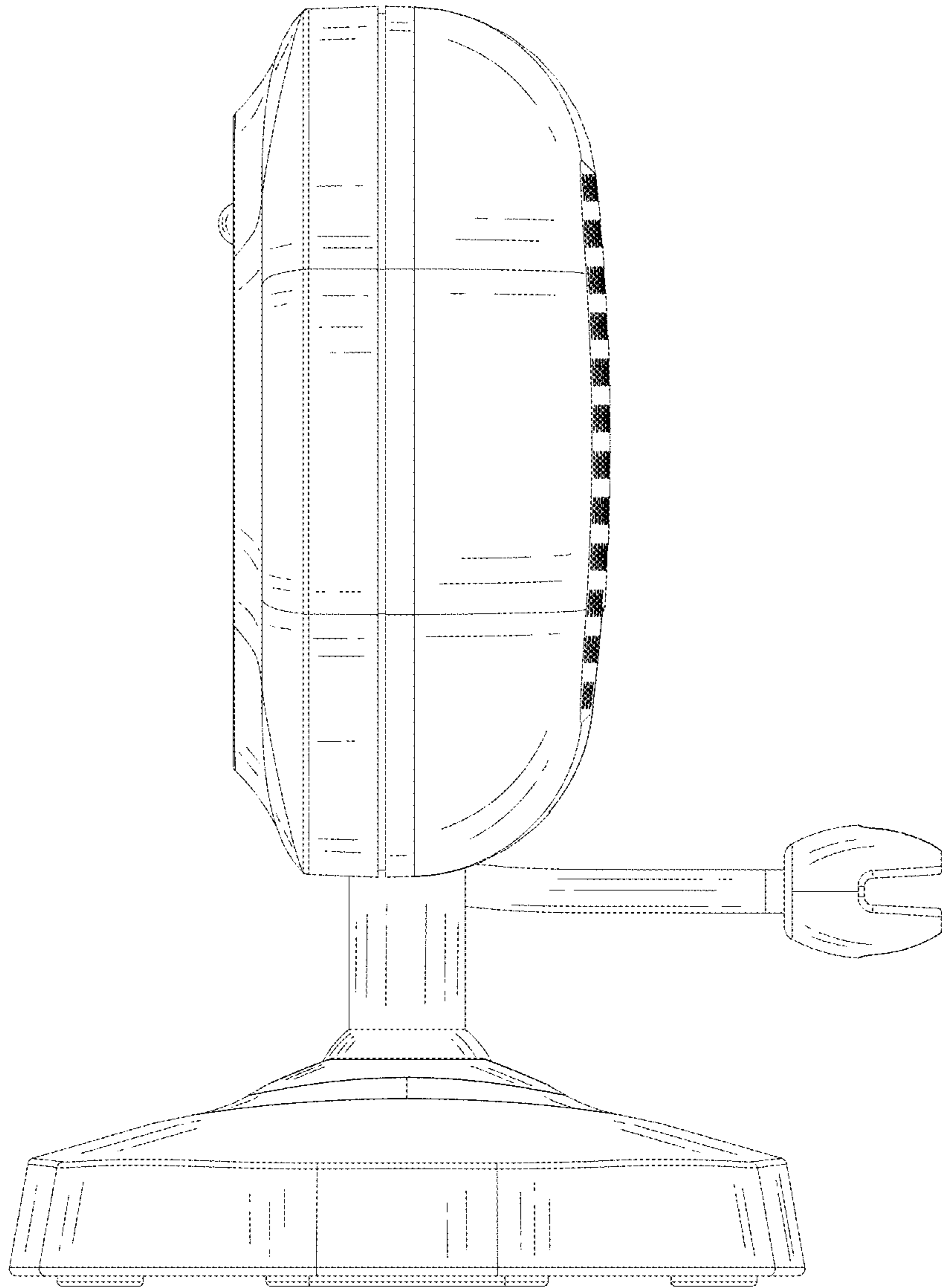


FIG. 6

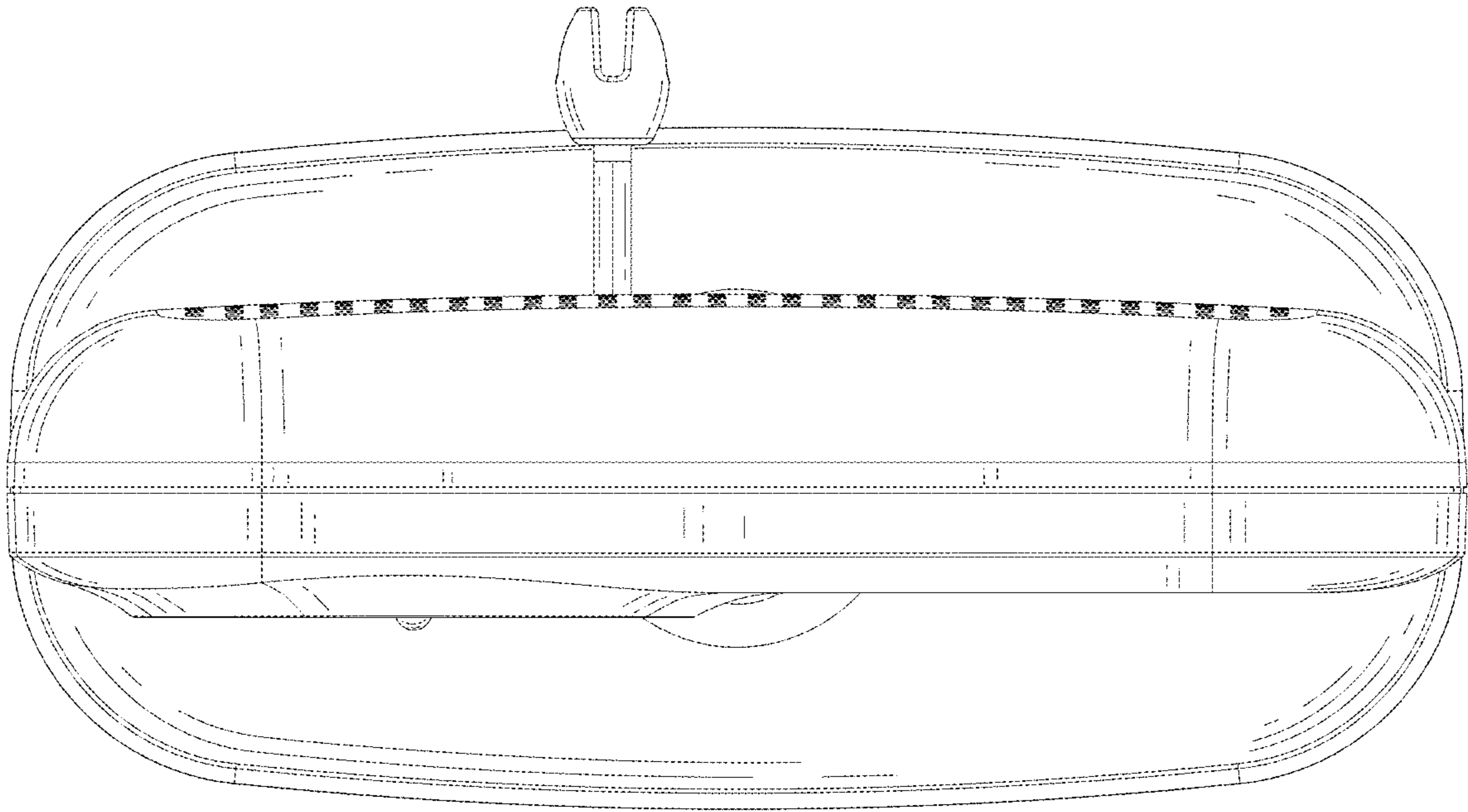


FIG. 7



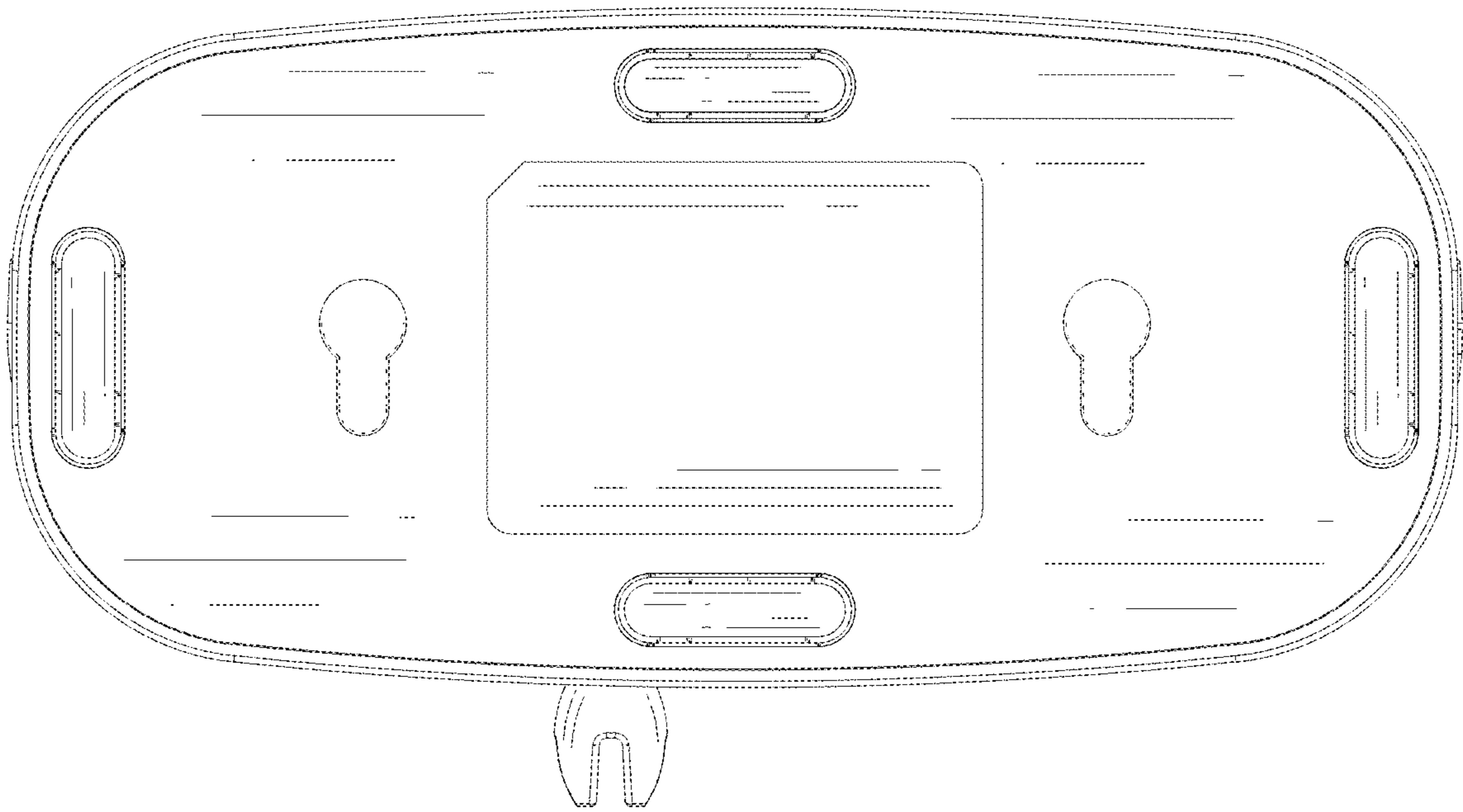


FIG. 8

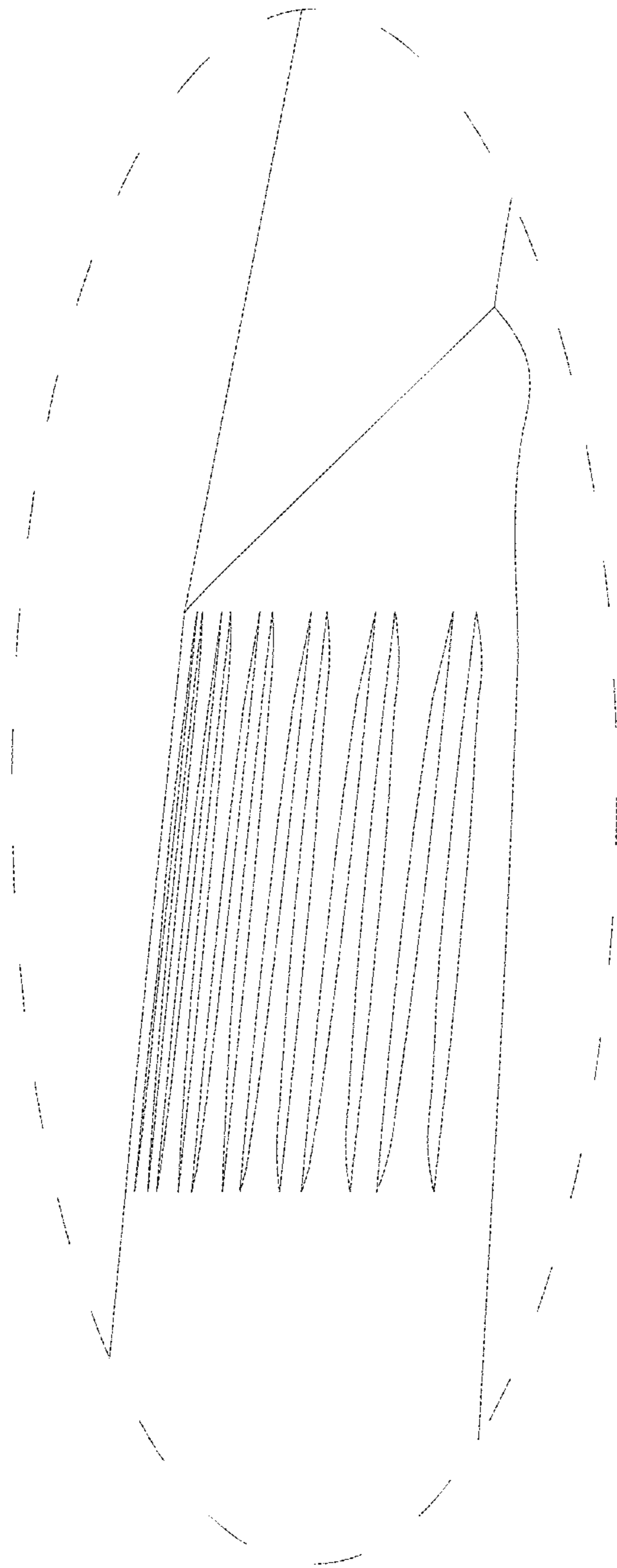


FIG. 9