



US00D963018S

(12) **United States Design Patent**
Nishiwaki

(10) **Patent No.:** **US D963,018 S**
(45) **Date of Patent:** **** Sep. 6, 2022**

(54) **VIDEO CAMERA**

FOREIGN PATENT DOCUMENTS

(71) Applicant: **Panasonic Intellectual Property Management Co., Ltd., Osaka (JP)**

CN	305888067	*	6/2020
IN	312320-0001	*	12/2019
JP	D1204065		4/2004
JP	D1496291	*	5/2014

(72) Inventor: **Kenji Nishiwaki, Hyogo (JP)**

(73) Assignee: **Panasonic Intellectual Property Management Co., Ltd., Osaka (JP)**

OTHER PUBLICATIONS

(**) Term: **15 Years**

“Panasonic AG-CX8ED 4K Professional Video Camera” from Poojaelectronics.in, first retrieved on Jun. 28, 2022 from the internet < <https://poojaelectronics.in/product/panasonic-ag-cx8ed-4k-professional-video-camera-india/>> (Year: 2022).*

(21) Appl. No.: **29/725,153**

“Canon XF100 Professional Camcorder with 10x HD Video lens, Compact Flash (CF) Recording” from Amazon.com, first available Dec. 10, 2010 from the internet <<https://www.amazon.com/Canon-Professional-Camcorder-Compact-Recording/dp/B004FTREOW?th=1>>(Year: 2010).*

(22) Filed: **Feb. 21, 2020**

(30) **Foreign Application Priority Data**

Nov. 8, 2019 (EM) 007201611-0003

* cited by examiner

(51) **LOC (13) Cl.** **16-01**

(52) **U.S. Cl.**
USPC **D16/202; D16/206**

(58) **Field of Classification Search**
USPC D16/200–204, 205–208, 243; D10/46, D10/47, 50, 52, 62, 65, 70, 71, 104.1, D10/106.6, 106.7, 109.1, 109.2, 121; D14/317, 474, 496, 507
CPC G03B 17/02; G03B 21/10; G03B 2217/00; G03B 2217/243; H04N 5/2252; H04N 5/2253; H04N 5/2254

Primary Examiner — Elizabeth J Oswecki
Assistant Examiner — Lacey Chey Bowman
(74) *Attorney, Agent, or Firm* — Panasonic IP Management; Kerry S. Culpepper

See application file for complete search history.

(57) **CLAIM**

The ornamental design for a video camera, as shown and described.

(56) **References Cited**

DESCRIPTION

U.S. PATENT DOCUMENTS

D598,941 S *	8/2009	Tanifuji	D16/202
D693,871 S *	11/2013	Tanifuji	D16/202
D741,929 S *	10/2015	Tanifuji	D16/202
D752,125 S *	3/2016	Arimoto	D16/202
D897,395 S *	9/2020	Arimoto	D16/202
D921,089 S *	6/2021	Yamada	D16/205
2021/0160411 A1 *	5/2021	Yamagata	G03B 17/55

FIG. 1 is a top, front and left side perspective view of a video camera showing my new design;
FIG. 2 is a front side view thereof;
FIG. 3 is a rear side view thereof;
FIG. 4 is a first side view thereof;
FIG. 5 is a second side view thereof;
FIG. 6 is a top view thereof; and,
FIG. 7 is a bottom view thereof.

1 Claim, 7 Drawing Sheets

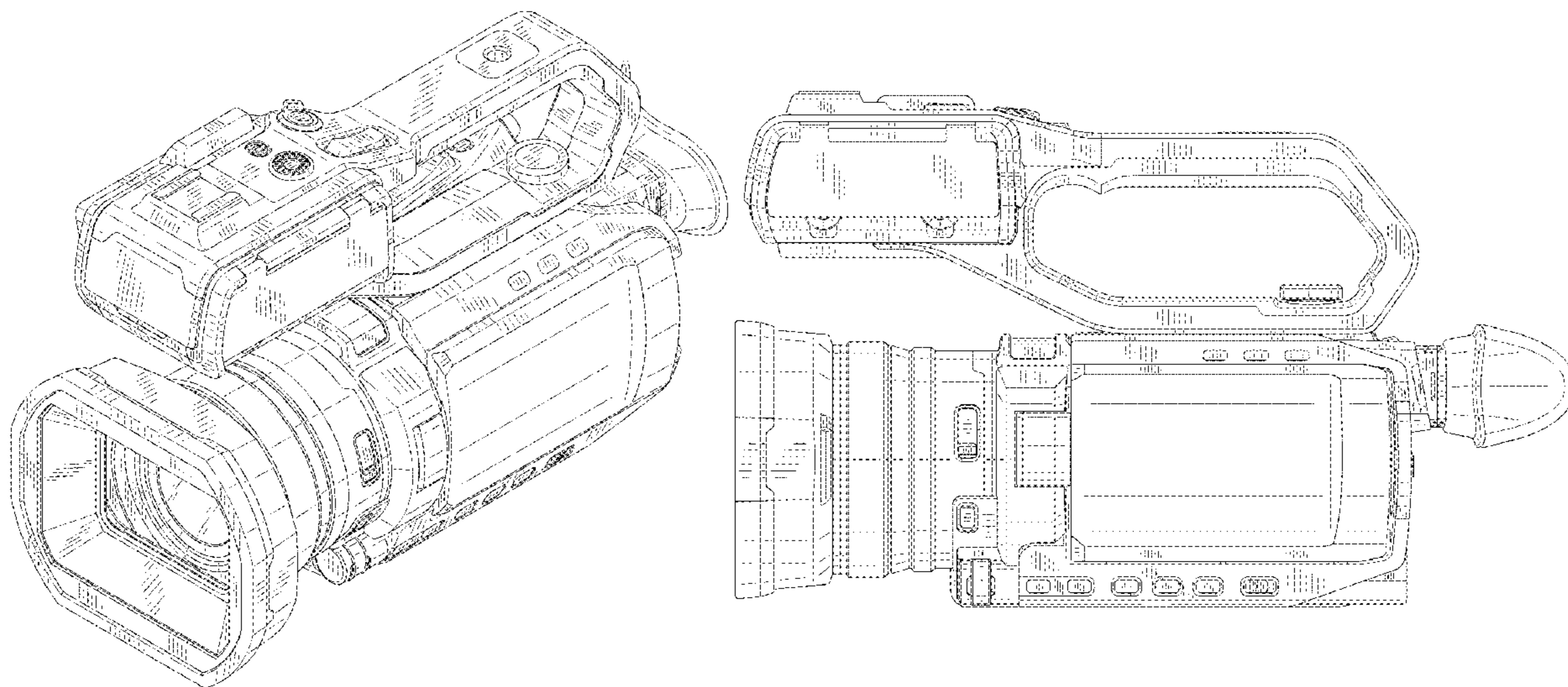


FIG. 1

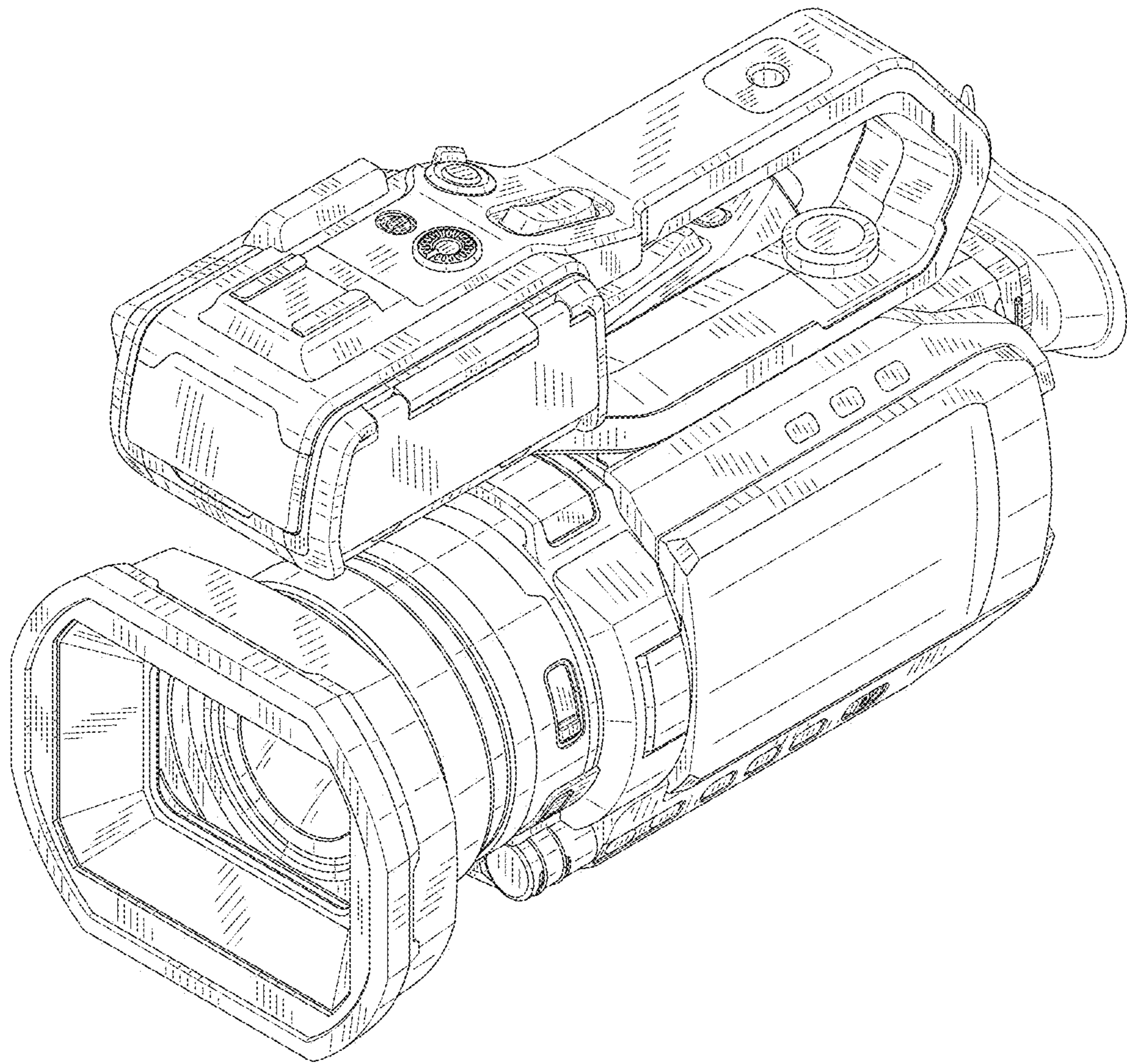


FIG. 2

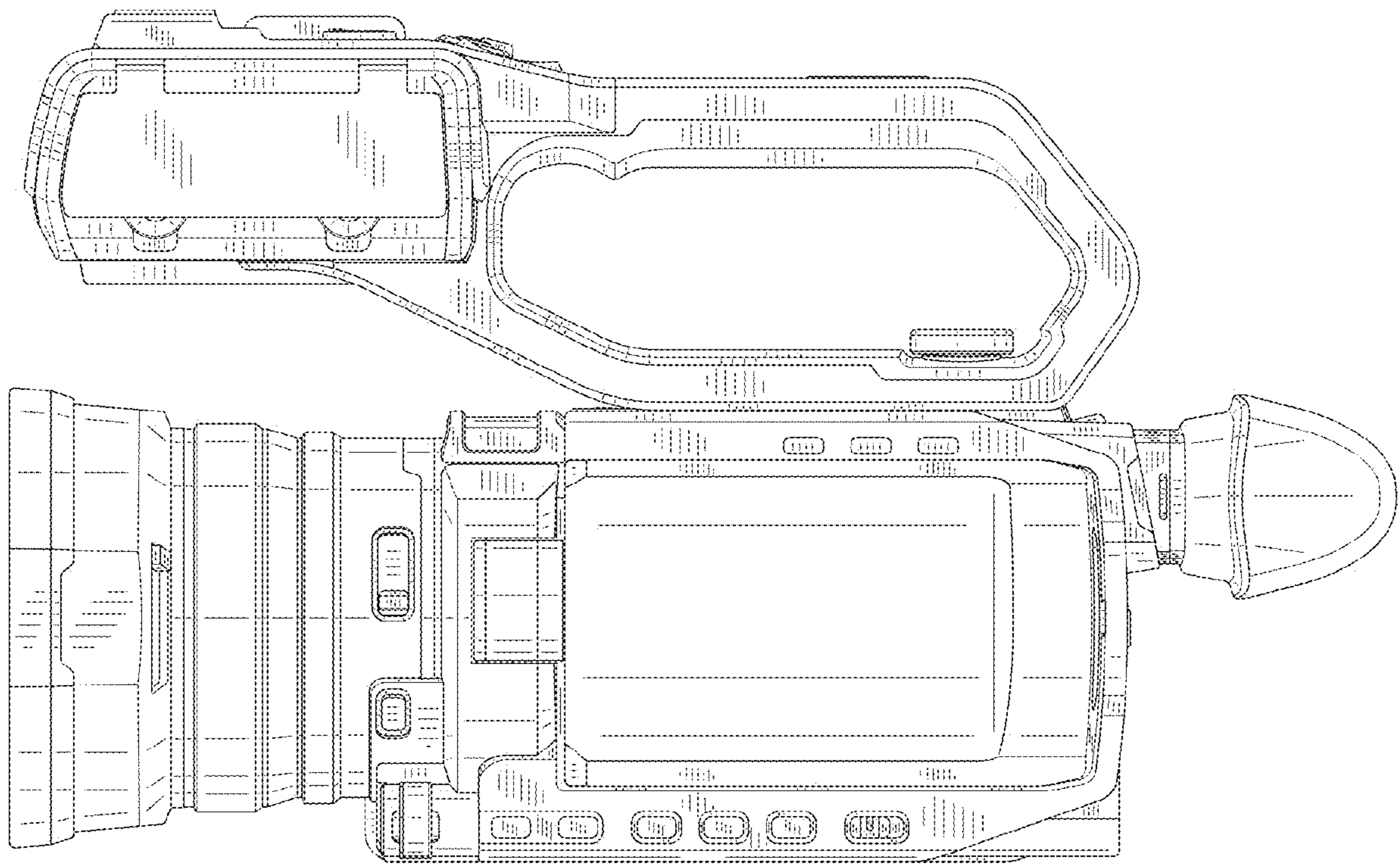


FIG. 3

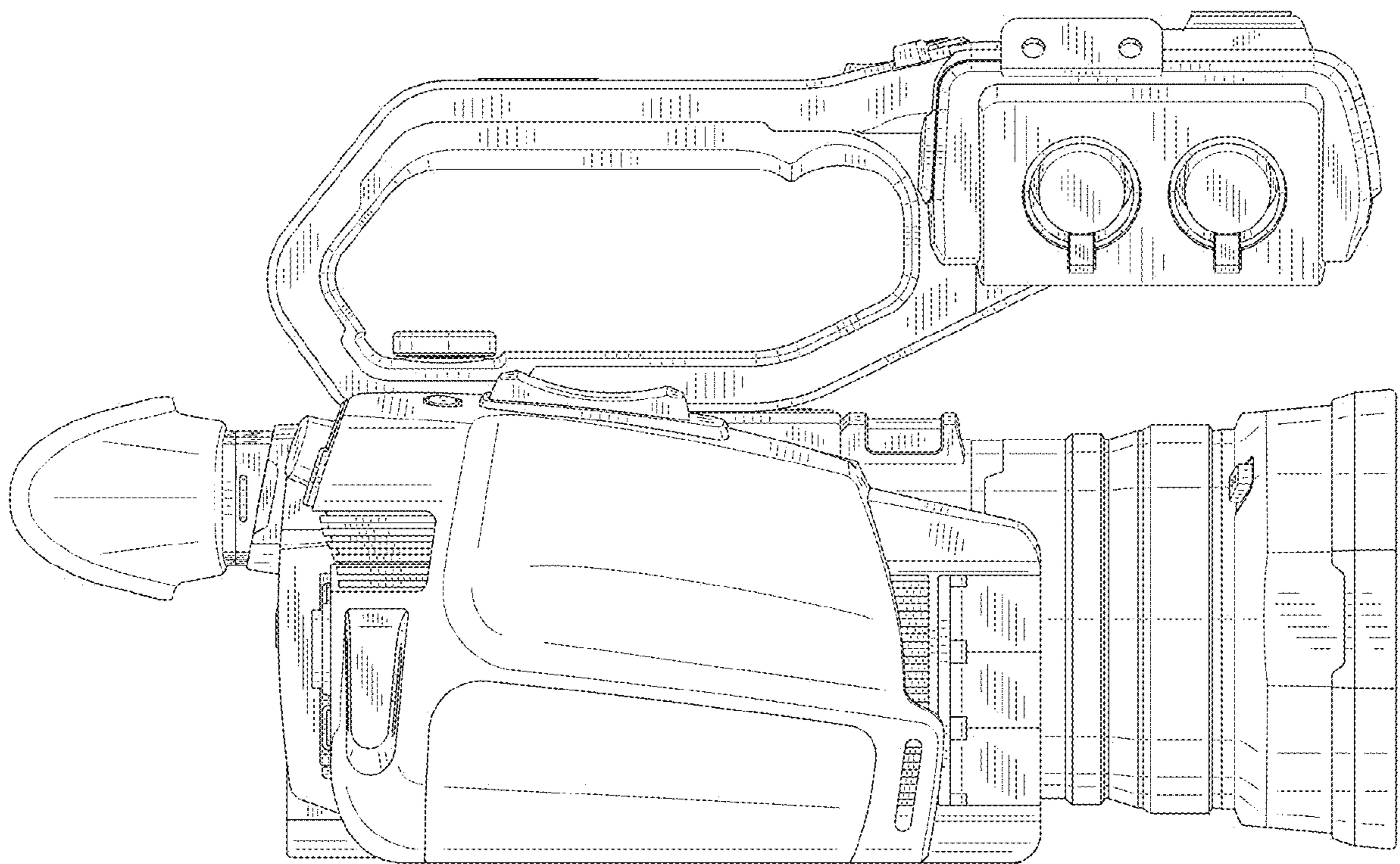


FIG. 4

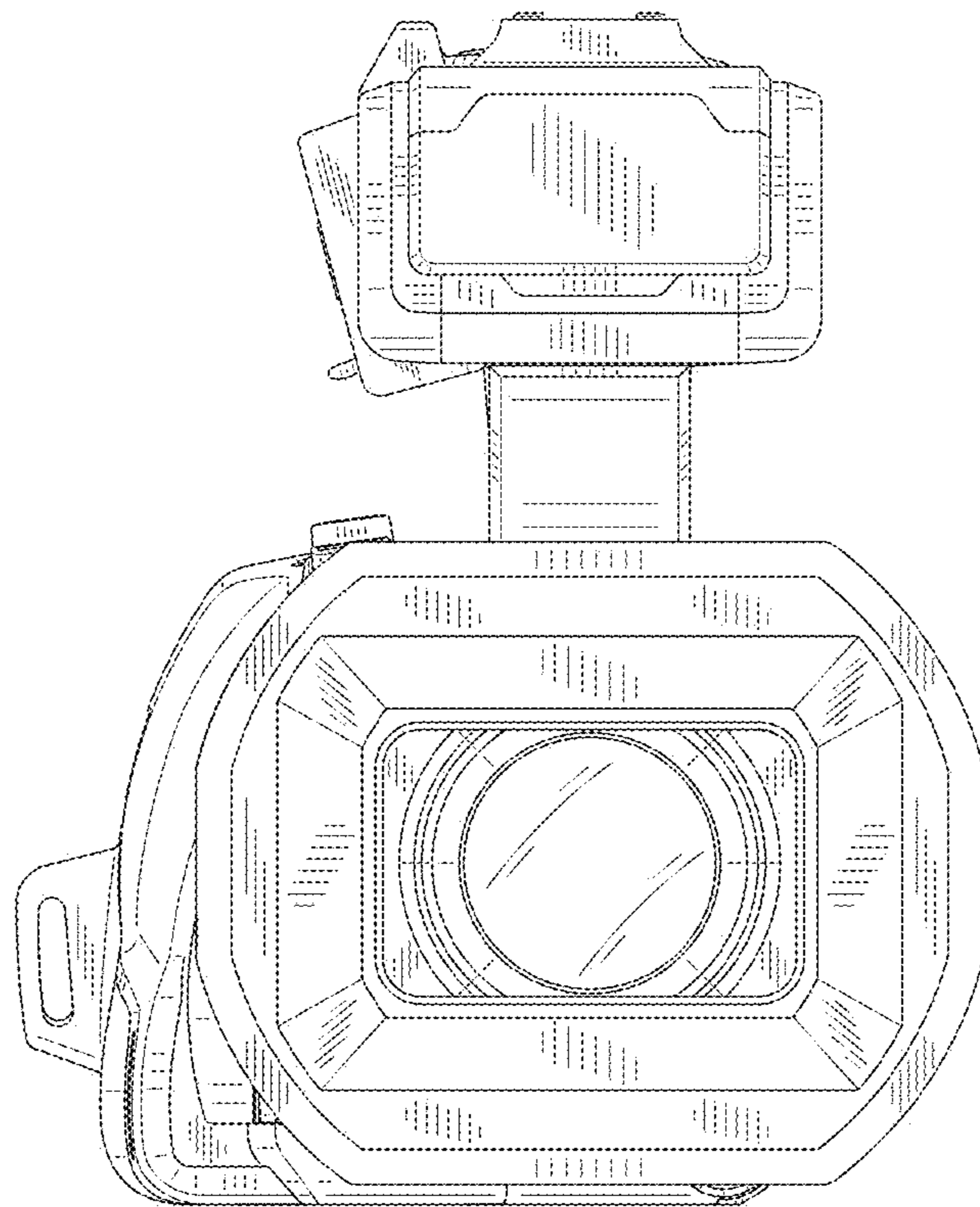


FIG. 5

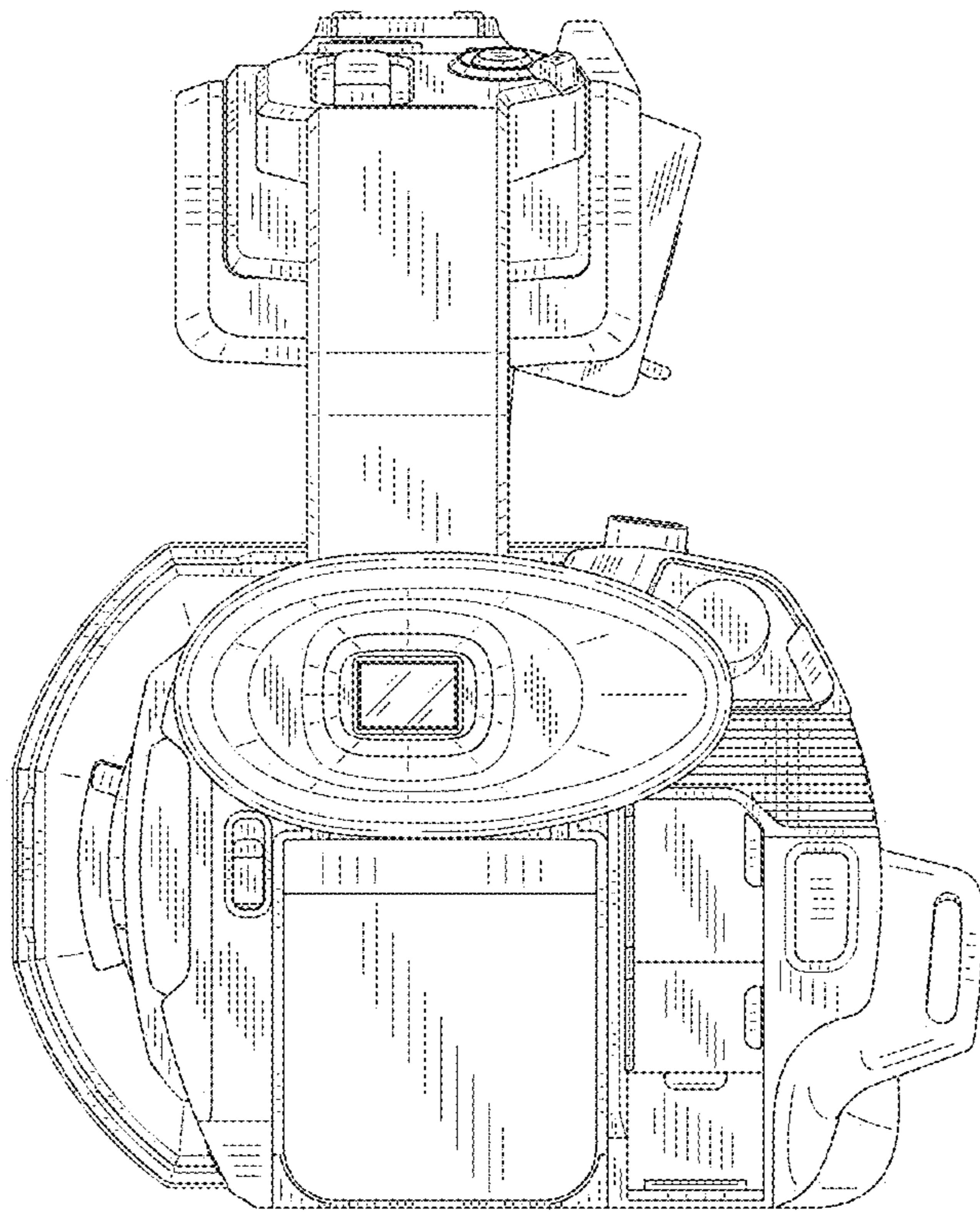


FIG. 6

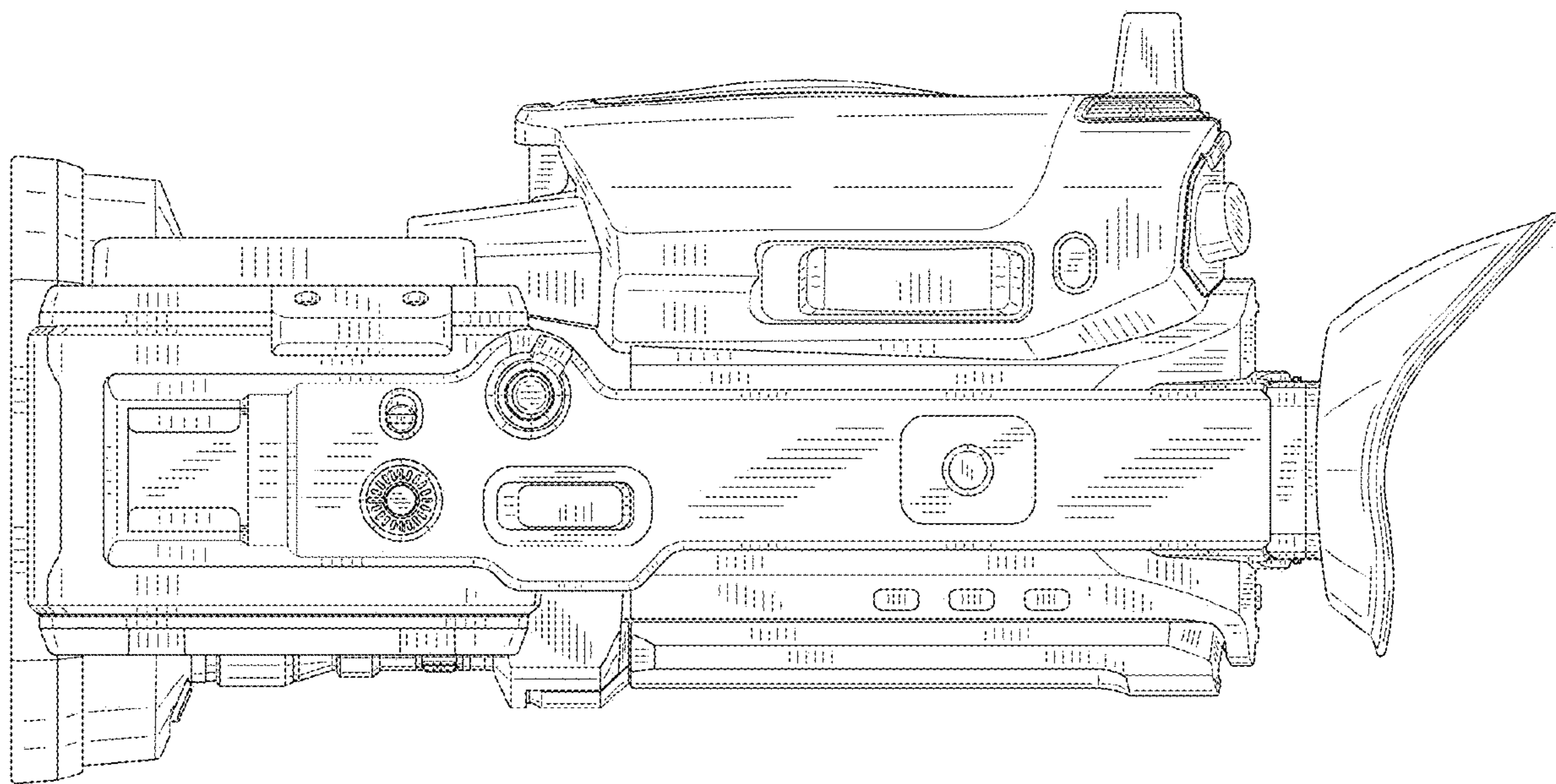


FIG. 7

