



US00D963016S

(12) **United States Design Patent**
Todd et al.

(10) **Patent No.:** **US D963,016 S**
(45) **Date of Patent:** **** Sep. 6, 2022**

(54) **CAMERA HOUSING**

FOREIGN PATENT DOCUMENTS

(71) Applicant: **GoPro, Inc.**, San Mateo, CA (US)
(72) Inventors: **Jordan Todd**, Piedmont, CA (US);
Matthew David Thomas, Castro Valley, CA (US); **Daniel J. Coster**, San Francisco, CA (US); **Bessy Liang**, San Jose, CA (US); **Huy Phuong Nguyen**, San Mateo, CA (US)

CN 302944108 5/2014
CN 303933789 6/2016
GB 4034453 3/2014

(73) Assignee: **GoPro, Inc.**, San Mateo, CA (US)

(**) Term: **15 Years**

(21) Appl. No.: **29/744,859**

(22) Filed: **Jul. 31, 2020**

(51) **LOC (13) Cl.** **16-01**

(52) **U.S. Cl.**
USPC **D16/200**

(58) **Field of Classification Search**
USPC D16/200, 202–204, 208, 211, 218, 219,
D16/237, 242; D3/263, 267, 268;
248/176.1, 187.1; 348/81, 360, 373–376,
348/835; 396/25, 27–29, 419, 535,
396/539–541

CPC G03B 15/03; G03B 17/02; G03B 17/04;
G03B 17/08; G03B 17/56; G03B 19/04;
H04N 5/2251; H04N 5/2252; H04N
5/2253; H04N 5/2254; A45C 11/38

See application file for complete search history.

(56) **References Cited**

U.S. PATENT DOCUMENTS

679,881 A 8/1901 Bullard
1,467,556 A 9/1923 Nagel
1,612,277 A 12/1926 Leo
2,336,104 A 12/1943 Laube
4,341,452 A 7/1982 Korling
D265,829 S 8/1982 Shimoda
4,646,141 A 2/1987 Timmermans
4,763,151 A 8/1988 Klinger

(Continued)

OTHER PUBLICATIONS

Action Video Suction Cup. [online] Published date Oct. 23, 2014. Retrieved on Nov. 2, 2016 from <URL: <https://www.amazon.com/Suction-Locking-JOBY-Easy-Anti-Vibration-Cameras/dp/B0008R7A72/ref=pdsim_421_2?encoding=UTF8&pd_rd_i=B0008R7A72&pd_rd_r=AGCVZH2ZHQKHT5BBX2GZ&pd_rd_w=7Jkpc&pd_rd_wg=OMkYF&psc=1&refRID=AGCVZH2ZHQKHT5BBX2GZ>. (9 pages).

(Continued)

Primary Examiner — Ramzi Almatrahi

(74) *Attorney, Agent, or Firm* — Young Basile Hanlon & MacFarlane, P.C.

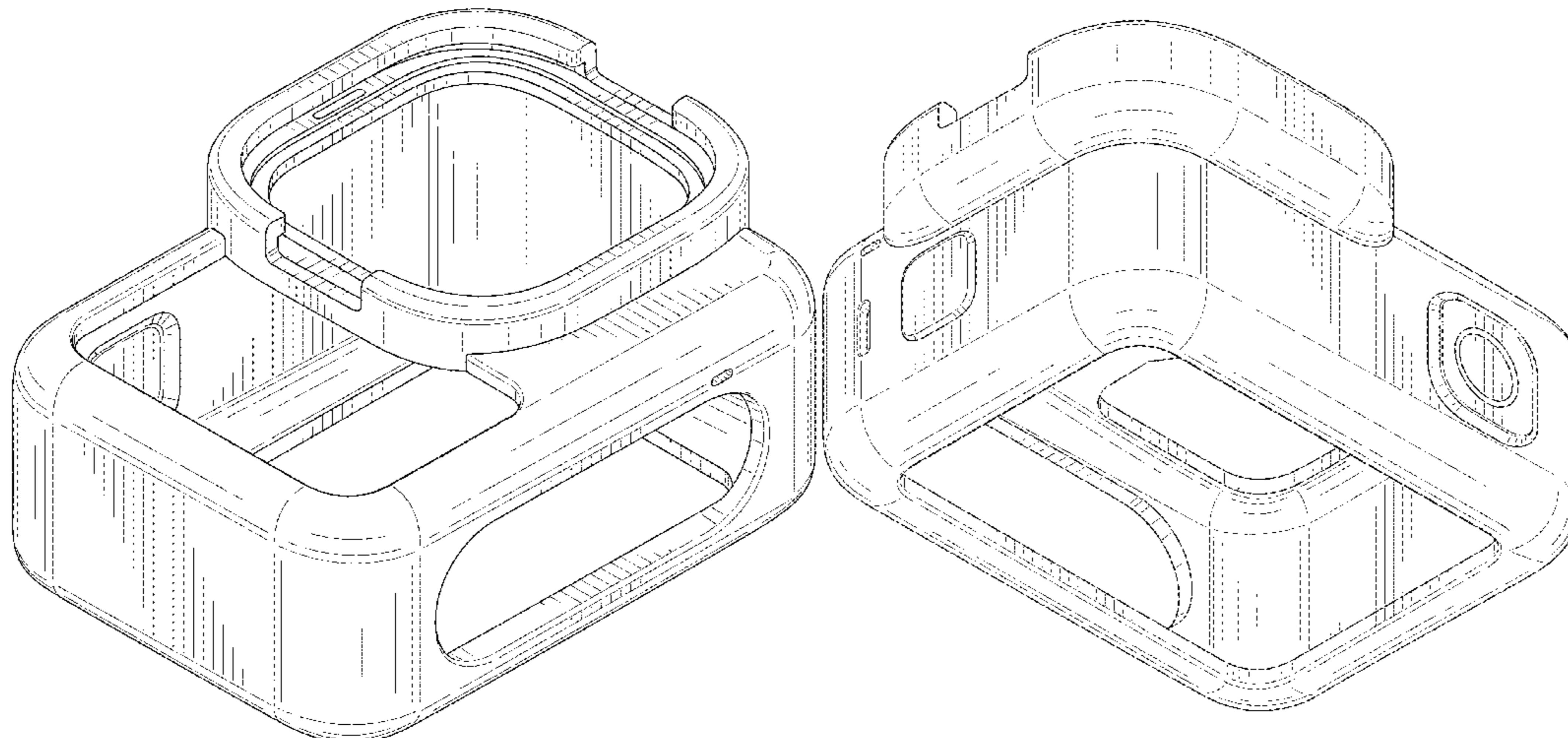
(57) **CLAIM**

The ornamental design for a camera housing, as shown and described.

DESCRIPTION

FIG. 1 is a bottom, front and left side perspective view of a camera housing showing our new design; FIG. 2 is a top, rear and right side perspective view thereof; FIG. 3 is a front elevation view thereof; FIG. 4 is a rear elevation view thereof; FIG. 5 is a top plan view thereof; FIG. 6 is a bottom plan view thereof; FIG. 7 is a right side elevation view thereof; and, FIG. 8 is a left side elevation view thereof. The broken lines depict portions of the camera housing in which the design is embodied that form no part of the claimed design.

1 Claim, 7 Drawing Sheets



(56)

References Cited

U.S. PATENT DOCUMENTS

D298,760 S 11/1988 Yoshida
 5,092,552 A 3/1992 Dayton
 5,325,139 A 6/1994 Matsumoto
 D349,126 S 7/1994 Lee
 5,353,079 A 10/1994 Sakai
 5,576,781 A 11/1996 Deleeuw
 5,738,321 A 4/1998 Moriyasu
 D441,386 S 5/2001 Yamazaki
 6,347,893 B1 2/2002 Shiono
 D469,338 S 1/2003 Chace
 D491,968 S 6/2004 Isshiki
 D492,953 S 7/2004 Mitsuse
 D499,131 S 11/2004 Tania
 D504,904 S 5/2005 Nagai
 D515,121 S 2/2006 Bleau
 D550,741 S 9/2007 Vernon
 D563,486 S 3/2008 Slater
 D582,955 S 12/2008 Sekine
 7,537,399 B2 5/2009 Mayumi
 D594,050 S 6/2009 Hartmut
 7,621,680 B2 11/2009 Frick
 D616,480 S 5/2010 Ookawa
 8,014,656 B2 9/2011 Woodman
 D646,313 S 10/2011 Woodman
 D647,554 S 10/2011 Yim
 D647,935 S 11/2011 Raken
 D653,687 S 2/2012 Yu
 D657,808 S 4/2012 Woodman
 D674,428 S 1/2013 Woodman
 D684,569 S 6/2013 Willenborg
 8,467,675 B2 6/2013 Chen
 D692,507 S 10/2013 Meys
 8,544,643 B2 10/2013 Yim
 8,596,890 B2 12/2013 Yim
 D699,276 S 2/2014 Samuels
 D699,277 S 2/2014 Samuels
 D702,747 S 4/2014 Woodman
 8,718,457 B2 5/2014 Clark
 D706,603 S 6/2014 Kokawa
 D710,921 S 8/2014 Gioscia
 D710,922 S 8/2014 Gioscia
 8,794,579 B2 8/2014 Sturman
 D722,097 S * 2/2015 Kim D16/219
 D724,637 S * 3/2015 Samuels D16/200
 D724,638 S 3/2015 Samuels
 D725,169 S 3/2015 Gioscia
 D727,387 S 4/2015 Hasegawa
 9,004,783 B1 4/2015 Woodman
 D730,423 S 5/2015 Vandenbussche
 D732,601 S 6/2015 Coyle
 D737,647 S 9/2015 Elder
 D739,451 S 9/2015 Gioscia
 D740,876 S 10/2015 Woodman
 D745,589 S 12/2015 Lee
 D749,164 S 2/2016 Racciah
 D750,146 S 2/2016 Costa
 D750,680 S 3/2016 Chen
 D750,687 S 3/2016 Samuels
 D752,671 S 3/2016 Harrison
 D752,672 S 3/2016 Clearman
 9,282,226 B2 3/2016 Samuels
 D754,230 S 4/2016 Mori
 D755,277 S 5/2016 Gerd
 D758,474 S 6/2016 Harrison
 D759,141 S 6/2016 Bacon
 D759,145 S 6/2016 Lee
 D760,309 S 6/2016 Parfitt
 D760,312 S 6/2016 Lee
 9,360,742 B1 6/2016 Harrison
 D762,759 S 8/2016 Wu
 D763,941 S 8/2016 Smith
 D768,228 S 10/2016 Muhlenkamp, IV
 D768,752 S 10/2016 Silver
 D768,754 S 10/2016 Bennett
 D769,346 S 10/2016 Nguyen

D773,546 S 12/2016 Nguyen
 D776,738 S 1/2017 Clearman
 D776,741 S 1/2017 Parfitt
 D777,239 S 1/2017 Costa
 D783,079 S 4/2017 Lee
 D785,068 S 4/2017 Patsis
 9,635,226 B2 4/2017 Samuels
 D785,696 S 5/2017 Parfitt
 D785,697 S 5/2017 Costa
 D790,000 S 6/2017 Wang
 D790,002 S 6/2017 Nguyen
 D800,815 S 10/2017 Clearman
 9,816,666 B2 11/2017 Wang
 D806,775 S 1/2018 Nguyen
 9,880,451 B2 1/2018 Clearman
 9,894,278 B2 2/2018 Wei
 9,894,279 B2 2/2018 Wei
 9,903,533 B2 2/2018 Wei
 D816,751 S 5/2018 Harrison
 D819,117 S 5/2018 Lee
 D827,696 S 9/2018 Crow
 D827,697 S 9/2018 Crow
 10,101,637 B2 10/2018 Peddecord
 D840,463 S * 2/2019 Nguyen D16/218
 D846,620 S 4/2019 Katori
 D848,500 S * 5/2019 Miyashita D16/200
 D849,084 S 5/2019 Hu
 D850,520 S 6/2019 Voss
 D854,597 S * 7/2019 Gao D16/202
 D861,761 S 10/2019 Bergman
 D867,420 S 11/2019 Zhang
 D869,539 S * 12/2019 Hu D16/200
 D871,480 S * 12/2019 Hu D16/202
 D880,567 S 4/2020 Zhang
 D880,569 S 4/2020 Zhang
 D888,792 S * 6/2020 Luo D16/200
 D890,835 S 7/2020 Nguyen
 D904,498 S 12/2020 Lim
 D908,778 S 1/2021 Xu
 D909,450 S 2/2021 Grant
 D911,411 S 2/2021 Coster
 D911,412 S 2/2021 Alberstein
 D912,120 S 3/2021 Druker
 D920,419 S * 5/2021 Muhlenkamp, IV D16/218
 D921,084 S 6/2021 Muhlenkamp, IV
 D924,297 S * 7/2021 Imai D16/202
 D926,853 S 8/2021 Wei
 D929,489 S 8/2021 Coster
 D933,115 S 10/2021 Druker
 D934,945 S 11/2021 Wu
 D935,506 S * 11/2021 Tan D16/200
 D939,608 S 12/2021 Han
 2002/0046218 A1 4/2002 Gilbert
 2007/0071423 A1 3/2007 Fantone
 2008/0152337 A1 6/2008 Gartner
 2011/0317065 A1 12/2011 Lin
 2014/0185853 A1 7/2014 Aihara
 2014/0198932 A1 7/2014 Parkins
 2014/0226055 A1 8/2014 Schmidt
 2015/0168815 A1 6/2015 Chen
 2015/0316835 A1 11/2015 Scott
 2015/0326748 A1 11/2015 Tisch
 2016/0004142 A1 1/2016 Zhang
 2016/0100083 A1 4/2016 Harrison
 2016/0229556 A1 8/2016 Zhou
 2016/0246162 A1 8/2016 Niemeyer
 2017/0059967 A1 3/2017 Harrison
 2017/0192341 A1 7/2017 Casarez
 2019/0079373 A1 3/2019 Wang
 2019/0161208 A1 5/2019 Sun

OTHER PUBLICATIONS

Google Express IGoPro Karma Harness for HERO4 Black/Silver Camera—AGFHA-001 , first reviewed on Mar. 17, 2017, © 2018 Google [online], [site visited Mar. 16, 2018]. Available from Internet, <URL: <https://goo.gl/hugSGv/>> 1 page.

(56)

References Cited

OTHER PUBLICATIONS

GoPro i Shop i Mounts & Accessories, posted on Nov. 16, 2017, © 2018 GoPro, Inc. [online], [site visited Mar. 16, 2018]. Available from Internet, <URL: <https://shop.gopro.com/mounts-accessories/>> (13 PGS).

GoPro The Frame for HERO5 Black, [online] Published date unknown. Retrieved on Oct. 26, 2016 from <URL: <https://www.bhphotovideo.com/c/product/1274422-REG/gopro.sub.--aafm.sub.- --001.sub.--frame.sub.-for.sub.--hero5.html>>. 3 pages.

GoPro, "Karma Stabilizer," Date Unknown, two pages. [Online] [Retrieved Nov. 2, 2016] Retrieved from the internet <<http://shop.gopro.com/accessories-2/karma-stabilizer/AGMBL-001.html>>. (2 pages).

Linxv i Action Camera Accessories i Action Camera Strap, posted on Jun. 4, 2016, © 2012 Avada [online], [site visited Mar. 16, 2018]. Available from Internet, <URL: <http://www.linxv.com/action-camera-accessories/action-camera-strap/>> (4 PGS).

Silicon Sleeve Cases for the Frame of Your GoPro Hero 5 , retrieved from URL: <https://www.amazon.com/Silicone-Sleeve-Cases-Frame-GoPro/dp/B01NCQ3GOY>, retrieved Mar. 30, 2018 (6 pages).

Silicon Sleeve for GoPro Her04 Housing—Gocase, retrieved from URL: <https://www.gocase.com/products/silicon-sleeve-for-gopro-hero4-housing>, retrieved Mar. 30, 2018 (2 pages).

Silicone Sleeve Cases for The Frame of your GoPro Hero 5 (1x Frame / 1x Camera Case, Blue + Black), URL: https://www.amazon.com/dp/B01MR00OPJ/ref=asc_df_B01MR00OPJ5357481/?tag=hyprod-20&creative=395033&creativeASIN=B01MR00OPJ&linkCode=df0&hvadid=167139098072&hvpos=1o1&hvnetw=g&hvrand=8248390090609077295&hvpone=&hvptwo=&hvqmt=&hvdev=c&hvdvcmdl=&hvlocint=&hvlocphy=1014237&hvtargid=pla-332273337114, retrieved Mar. 30, 2018 (6 pages).

Suction Cup & Locking Arm. Online, published date unknown. Retrieved on Jan. 11, 2018 from URL: <https://joby.com/suction-cup-with-locking-arm> (1 page).

The Frame, [online] Published date unknown. Retrieved on Oct. 24, 2016 from <URL: <http://shop.gopro.com/accessories-2/the-frame/ANDFR-302.html>>. 3 pages.

United States Office Action, U.S. Appl. No. 29/548,666, dated Nov. 17, 2016, eight pages.

* cited by examiner

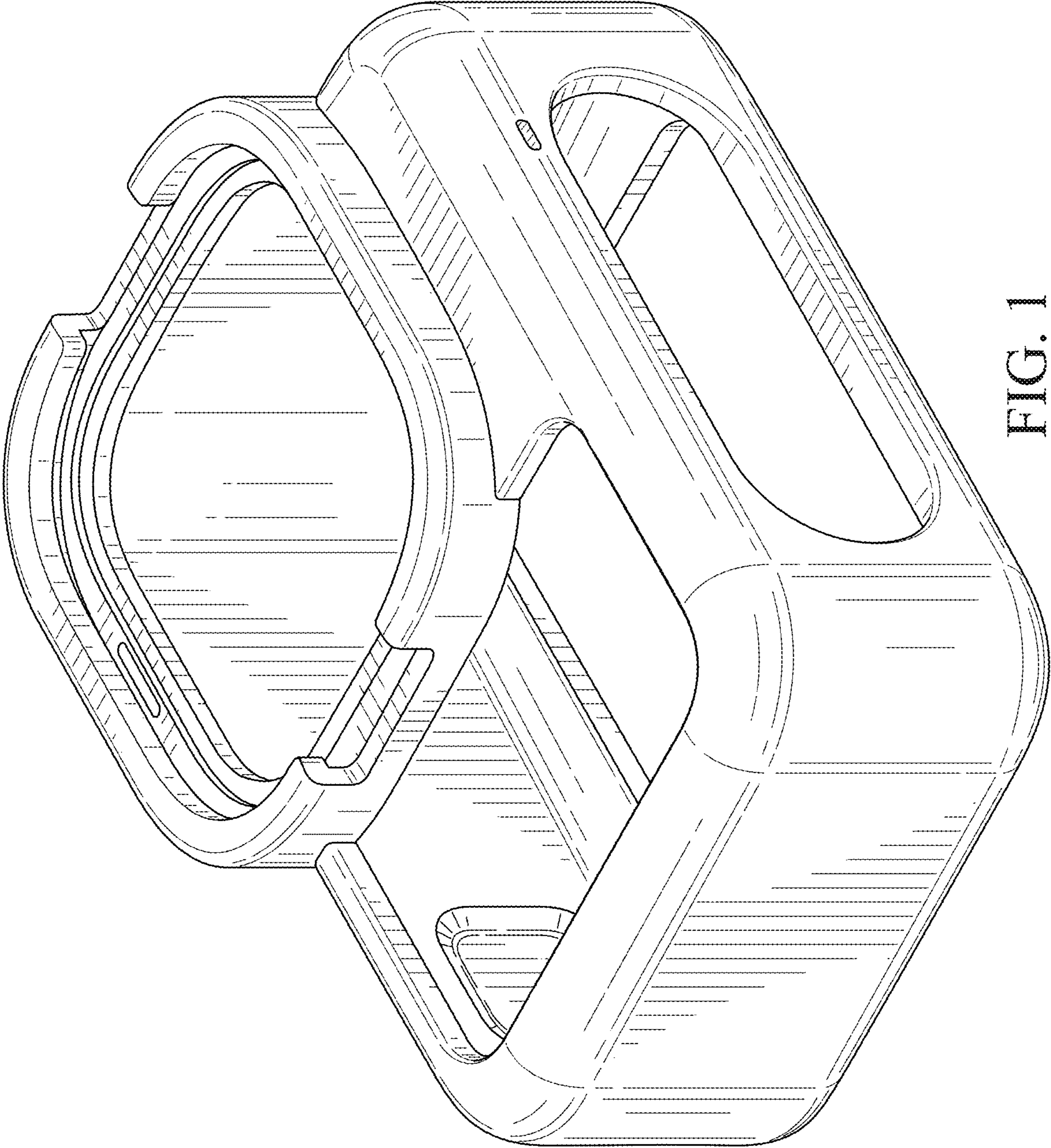


FIG. 1

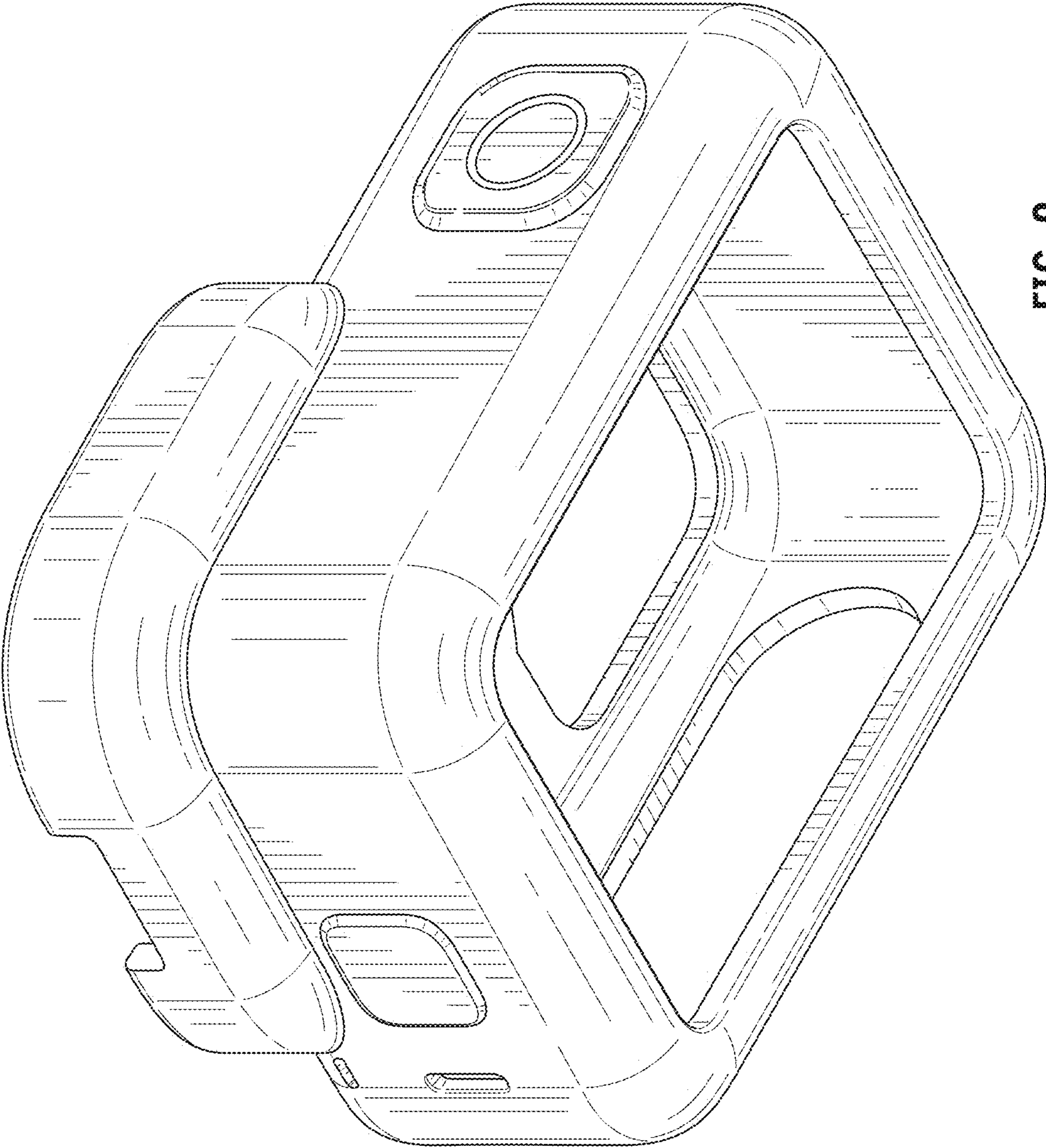


FIG. 2

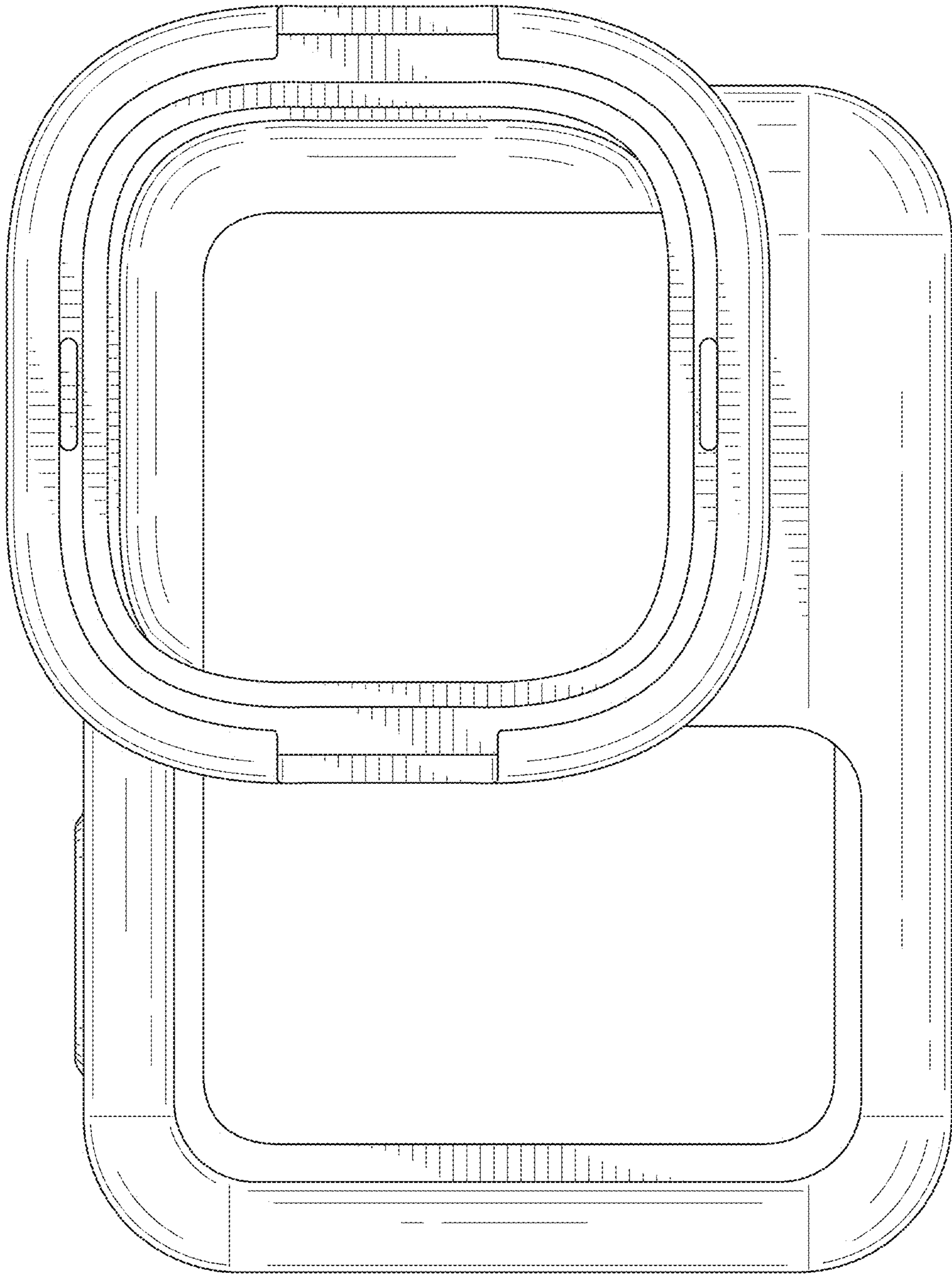


FIG. 3

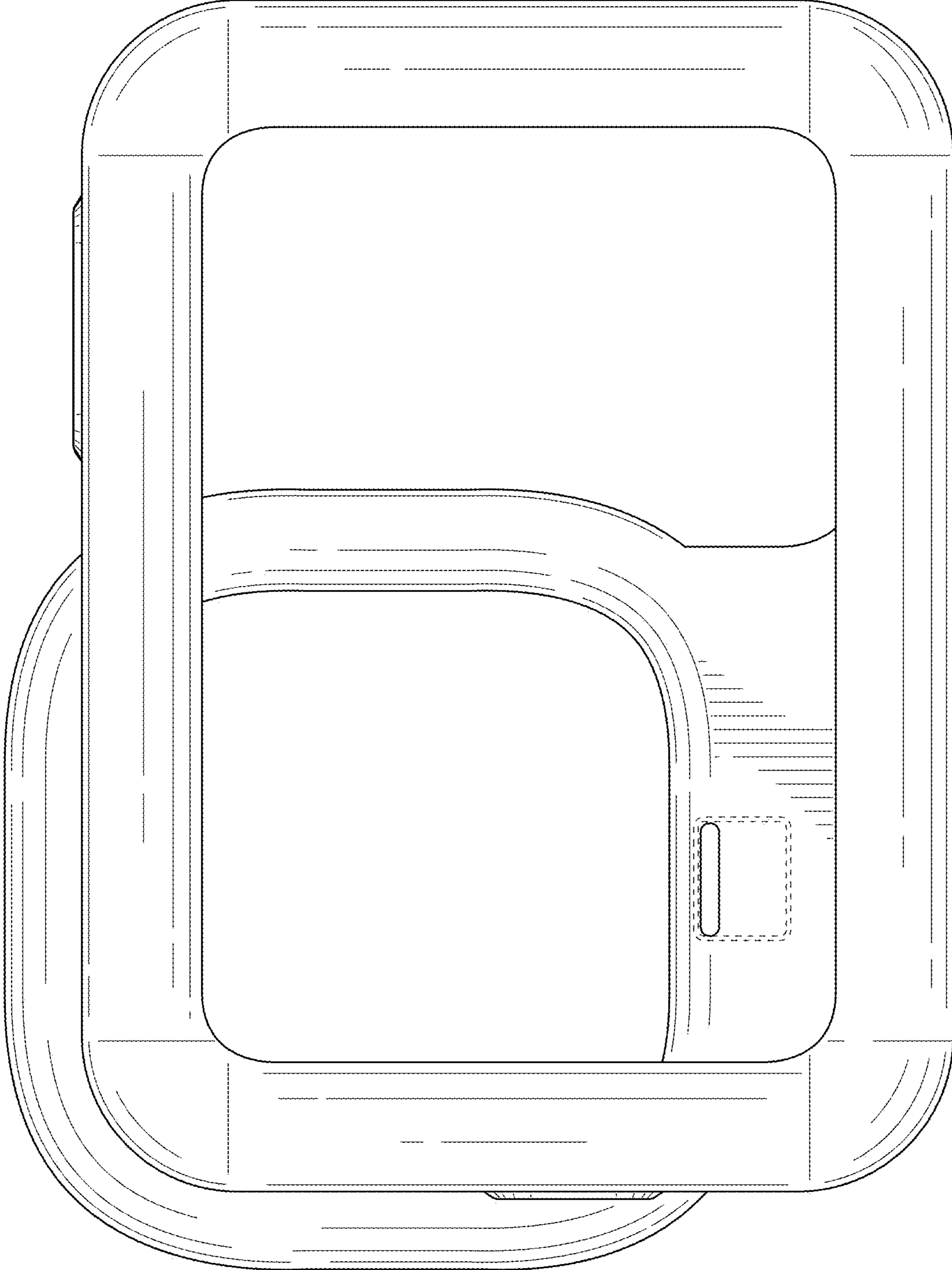


FIG. 4

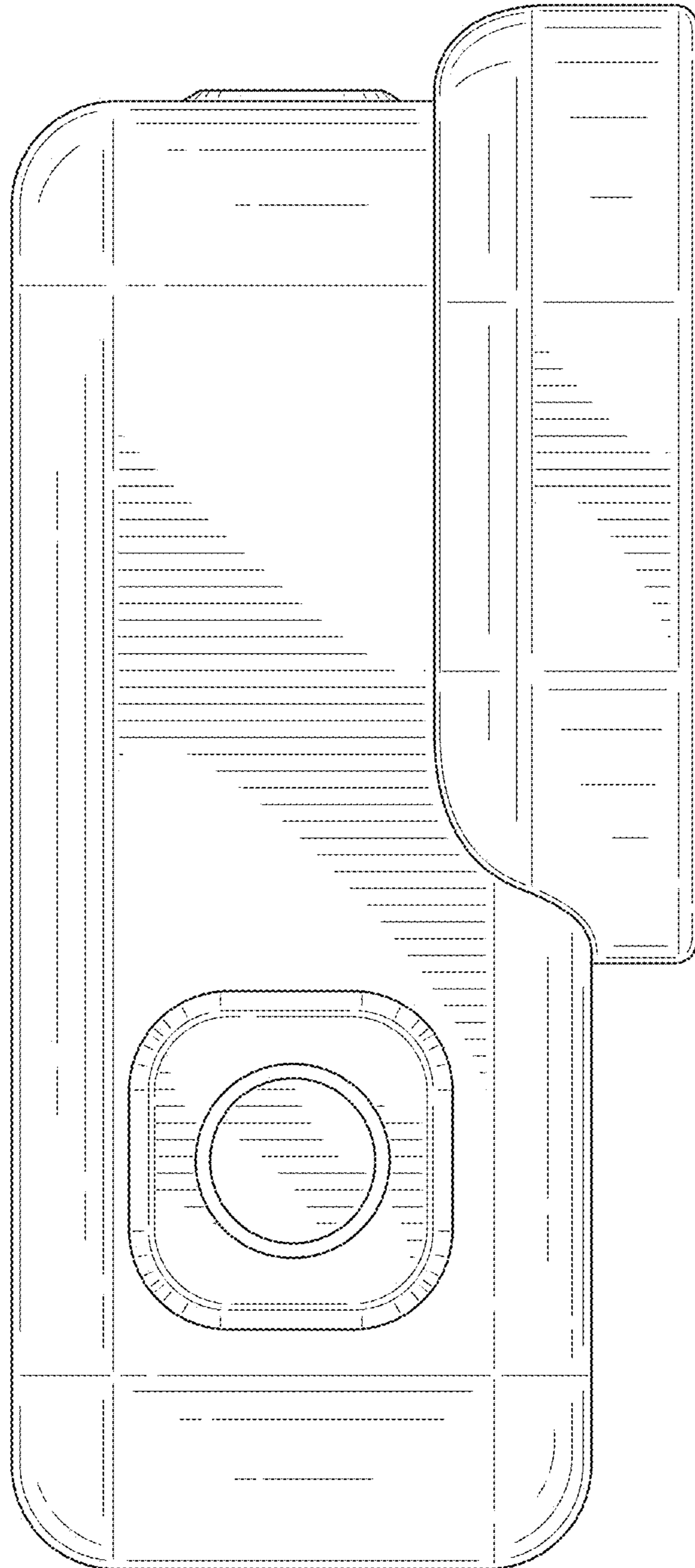


FIG. 5

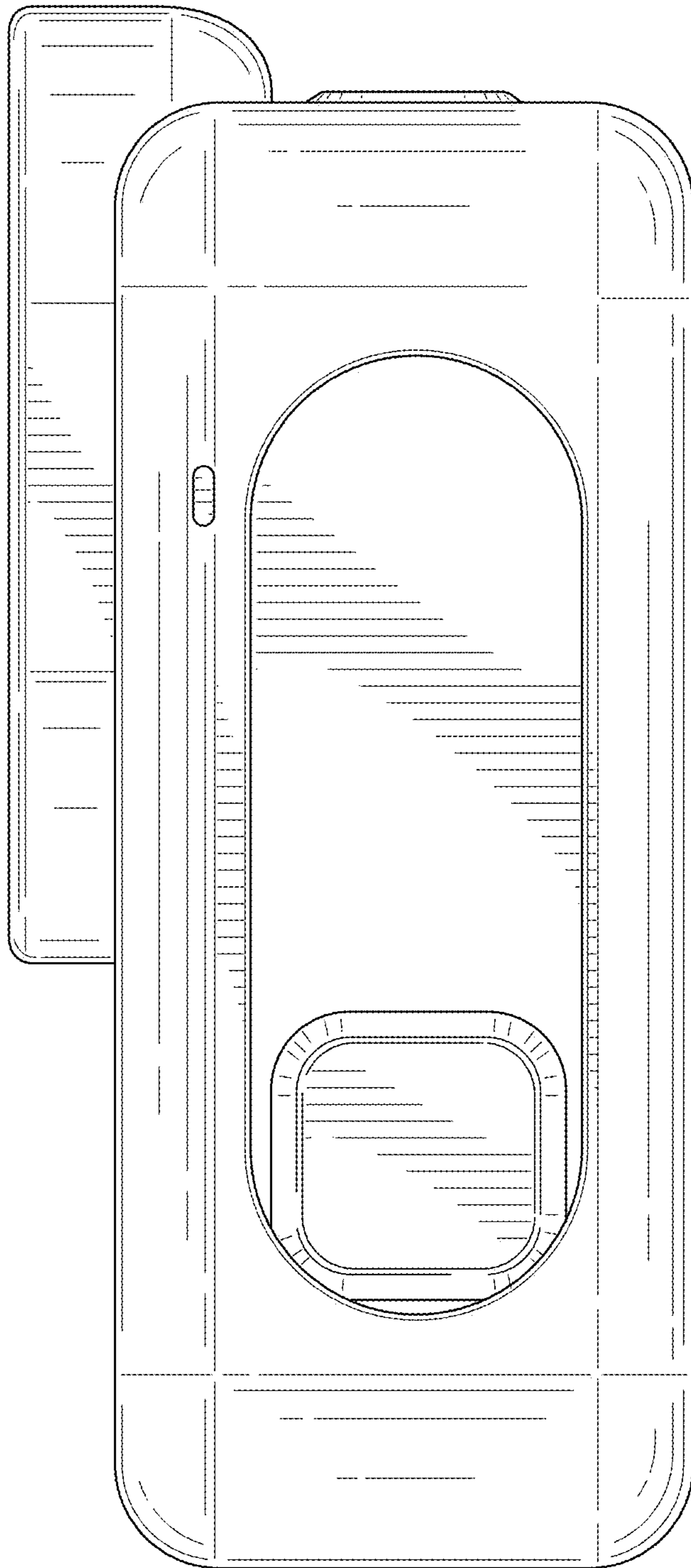


FIG. 6

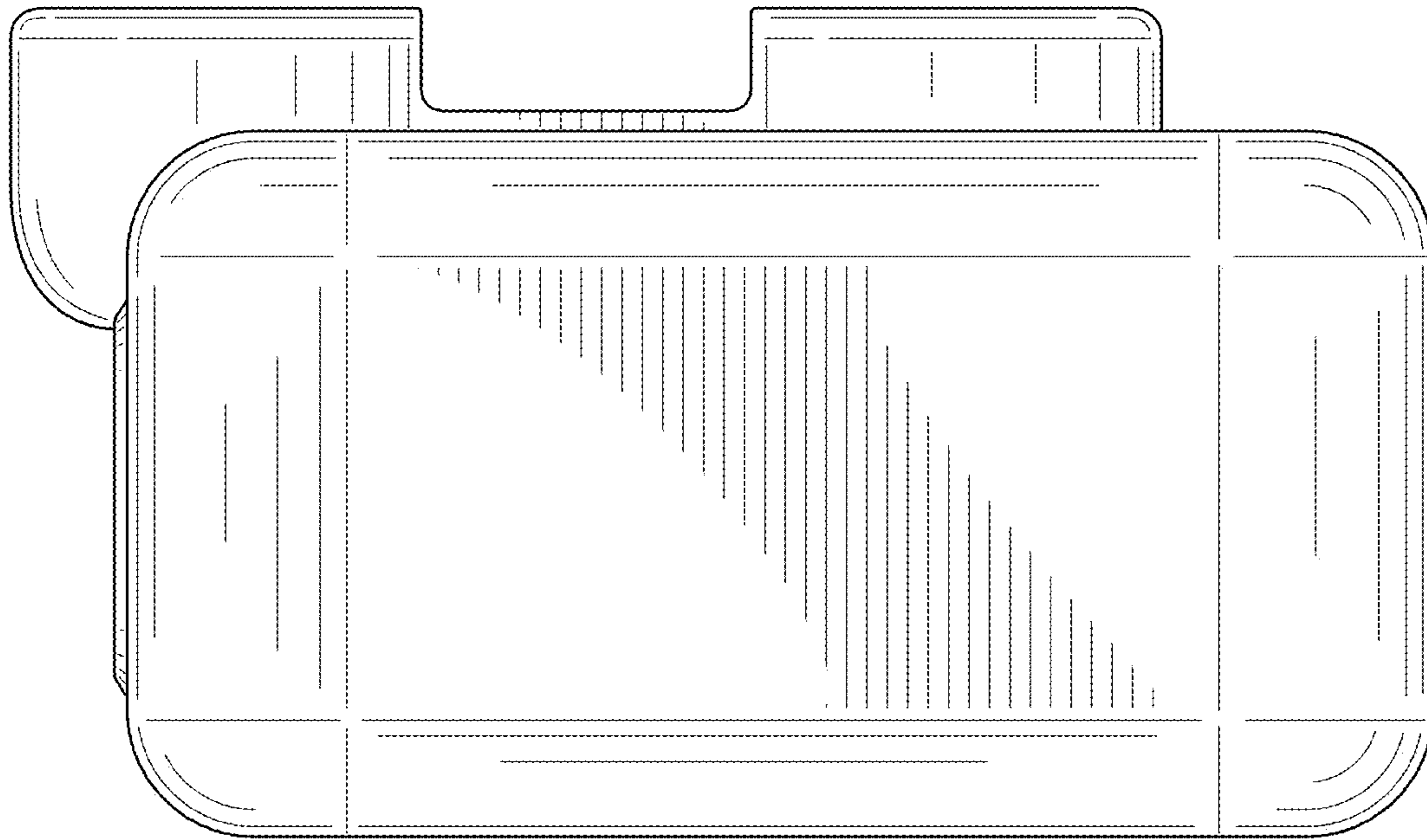


FIG. 8

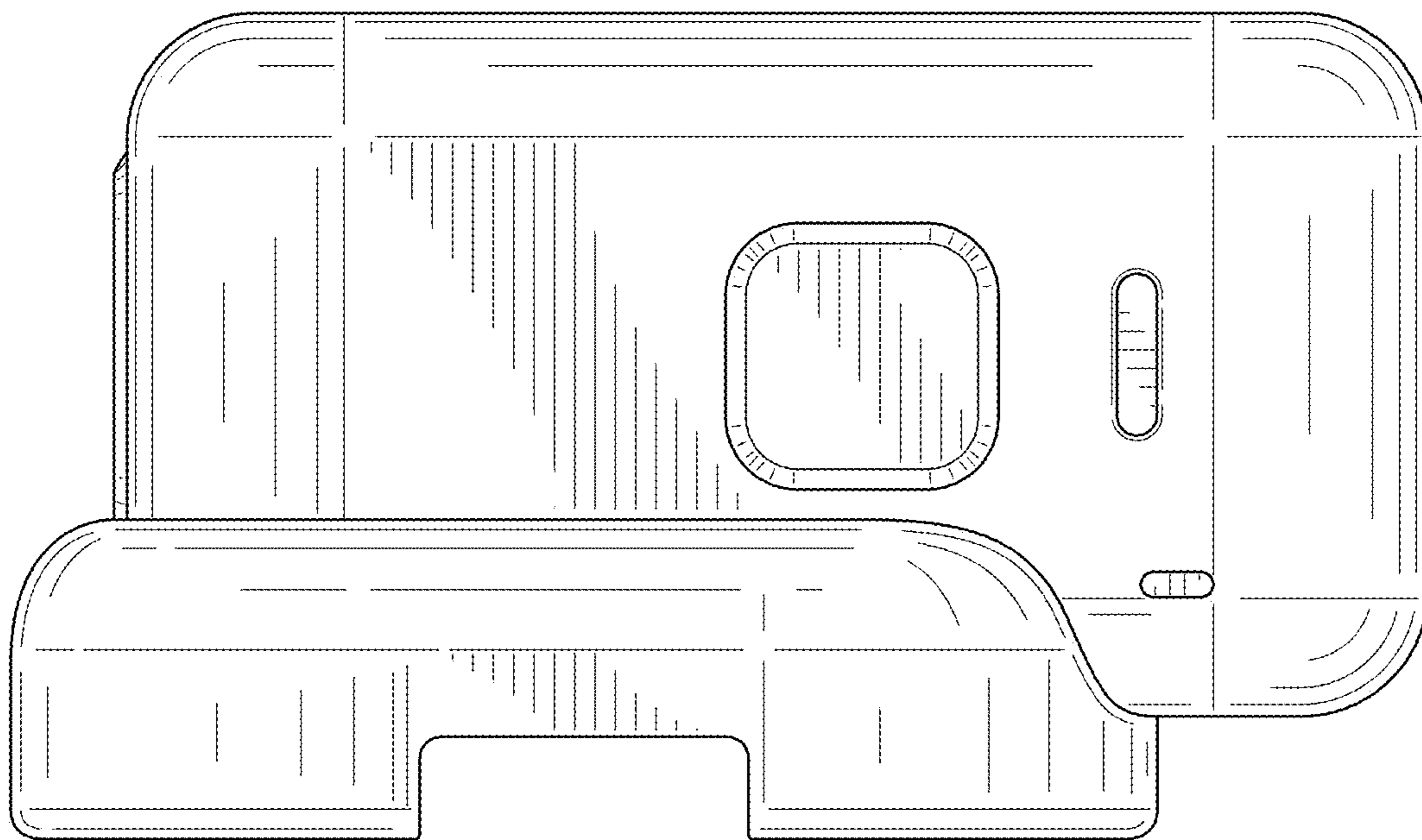


FIG. 7