

US00D963015S

(12) **United States Design Patent**
Scalisi et al.

(10) **Patent No.:** **US D963,015 S**

(45) **Date of Patent:** **** Sep. 6, 2022**

(54) **LIGHT SOCKET CAMERA**

(71) Applicant: **SkyBell Technologies, Inc.**, Irvine, CA (US)

(72) Inventors: **Joseph Frank Scalisi**, Yorba Linda, CA (US); **Joon Sung**, Riverside, CA (US)

(73) Assignee: **SkyBell Technologies IP, LLC**, Irvine, CA (US)

(**) Term: **15 Years**

(21) Appl. No.: **29/724,483**

(22) Filed: **Feb. 14, 2020**

(51) **LOC (13) Cl.** **16-01**

(52) **U.S. Cl.**

USPC **D16/200**; D16/203

(58) **Field of Classification Search**

USPC D16/200–203, 207–208, 214, 218–219;
D10/46, 61, 62, 65, 70, 71, 104.1, 106.6,
D10/106.7, 109.1, 109.2, 114.8, 121;
D26/2

CPC G03B 17/00; G03B 17/02; G03B 17/56;
G03B 2217/00; H04N 5/2251; H04N
5/2252; H04N 5/2254

See application file for complete search history.

(56) **References Cited**

U.S. PATENT DOCUMENTS

D435,576 S	12/2000	McBride	
D435,577 S *	12/2000	McBride	D26/2
D469,890 S *	2/2003	Bobel	D26/2
D487,939 S	3/2004	Smith	
D494,287 S	8/2004	Matsui	
6,812,970 B1	11/2004	McBride	
D542,943 S *	5/2007	Wang	D26/2
D546,358 S *	7/2007	Deguchi	D16/202
D596,764 S *	7/2009	Yang	D26/2
D604,434 S *	11/2009	Wada	D26/2
D631,569 S *	1/2011	Bobel	D26/2
D631,571 S *	1/2011	Bobel	D26/2
D642,294 S *	7/2011	Lee	D26/2

D645,987 S *	9/2011	Taylor	D26/2
D645,988 S *	9/2011	Taylor	D26/2
D646,801 S	10/2011	Chou	

(Continued)

FOREIGN PATENT DOCUMENTS

CN	302594452	*	10/2013
KR	300880277.0000	*	11/2016

OTHER PUBLICATIONS

“Sengled—PAR38 Add-On Smart LED Bulb with Motion Sensor—White” from bestbuy.com, first retrieved May 3, 2022 from the internet <https://www.bestbuy.com/site/sengled-par38-add-on-smart-led-bulb-with-motion-sensor-white/6333947.p?skuId=6333947&ref=212&loc=1&gclid=EA1alQobChMI_fvJjaTL9wlVaE1yCh3xlgQBQAQYASABEgKB3PD_BwE&gclid=aw.ds> (Year: 2022).*

(Continued)

Primary Examiner — Rosemary K Tarcza

Assistant Examiner — Lacey Chey Bowman

(74) *Attorney, Agent, or Firm* — Gallium Law; Wesley Schwie, Esq.

(57) **CLAIM**

The ornamental design for a light socket camera, as shown and described.

DESCRIPTION

FIG. 1 is a bottom, front, and first side perspective view of a light socket camera embodying the new design;

FIG. 2 is a top, back, and second side perspective view thereof;

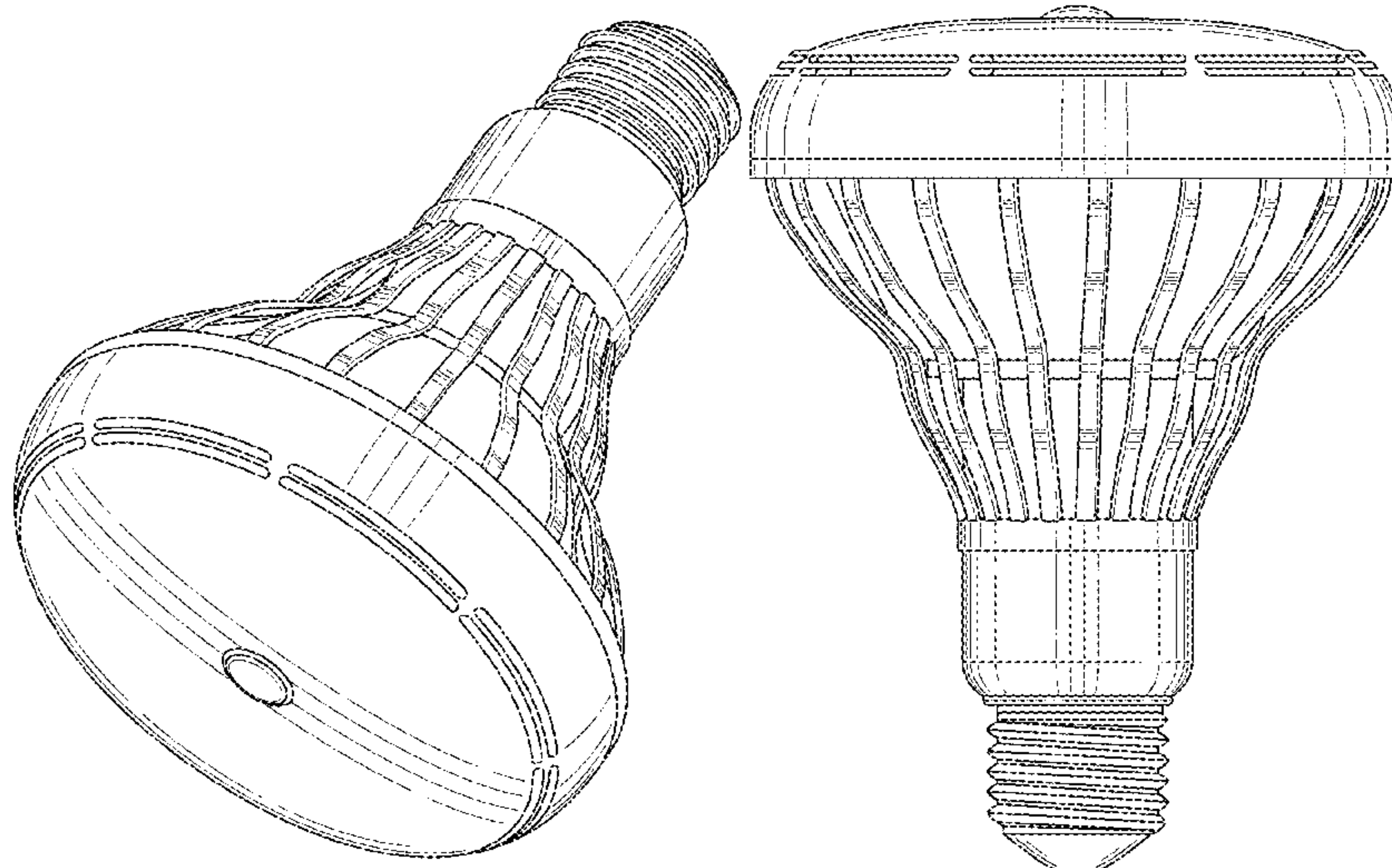
FIG. 3 is a top, back, and second side perspective elevation view thereof;

FIG. 4 is a bottom view thereof;

FIG. 5 is a top view thereof; and,

FIG. 6 is a first side view thereof, the second side, front side, and back side being identical to the first side.

1 Claim, 6 Drawing Sheets



(56)

References Cited

U.S. PATENT DOCUMENTS

D666,331 S * 8/2012 Chen D26/2
 D668,360 S * 10/2012 Lee D26/2
 D669,202 S * 10/2012 Jin D26/2
 D671,232 S * 11/2012 Yoshinobu D26/2
 8,334,656 B2 12/2012 Weiss
 D688,820 S * 8/2013 Yang D26/2
 D689,220 S 9/2013 Zhang
 D722,709 S 2/2015 Bosua
 D733,336 S * 6/2015 Yu D26/2
 D734,881 S * 7/2015 Yu D26/2
 D740,873 S 10/2015 Scalisi
 D749,161 S * 2/2016 Scalisi D26/2
 D761,342 S * 7/2016 Kim D26/2
 D811,463 S * 2/2018 Kim D16/203
 D841,840 S * 2/2019 Ding D26/2
 D943,017 S * 2/2022 Aggarwal D16/208

2003/0210340 A1* 11/2003 Frederick Romanowich
 H04N 5/2256
 348/E5.029
 2011/0156566 A1 6/2011 Chen
 2015/0062337 A1* 3/2015 Scalisi H04M 11/00
 348/143
 2016/0134846 A1* 5/2016 Miller G08B 13/1966
 348/151
 2017/0019572 A1* 1/2017 Yang F16M 11/2014

OTHER PUBLICATIONS

“Melesplus P6 1080P Bulb Lamp Wireless IP Camera,Light Panoramic FishEye Mini 2.0MP HD Home Security CCTV Camera 360 Degree IR Night Vision” from Amazon.com, first available May 21, 2019 from the internet <<https://www.amazon.sg/Melesplus-Wireless-Panoramic-FishEye-Security/dp/B07RYRDQB5>> (Year: 2019).*

* cited by examiner

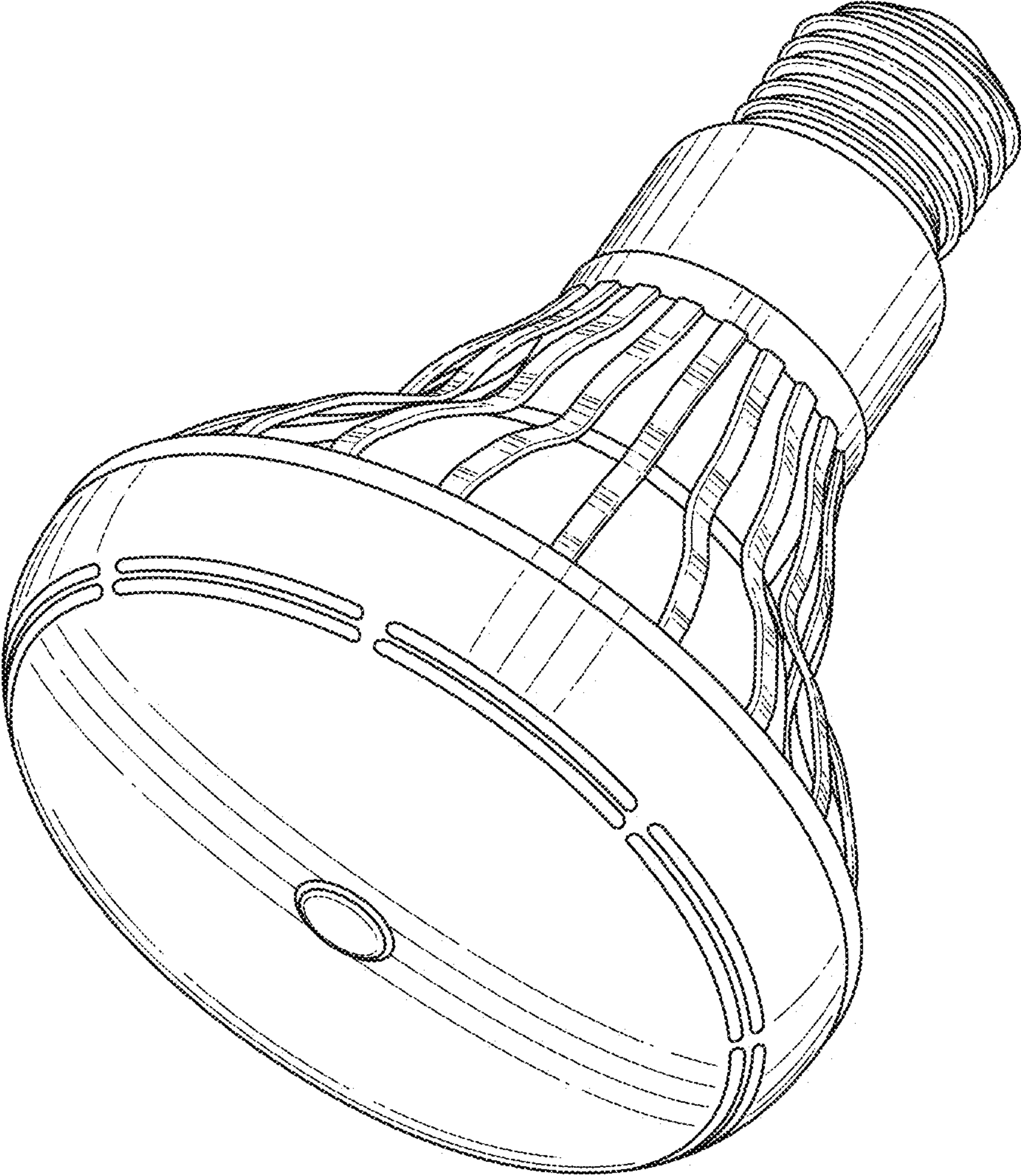


FIG. 1

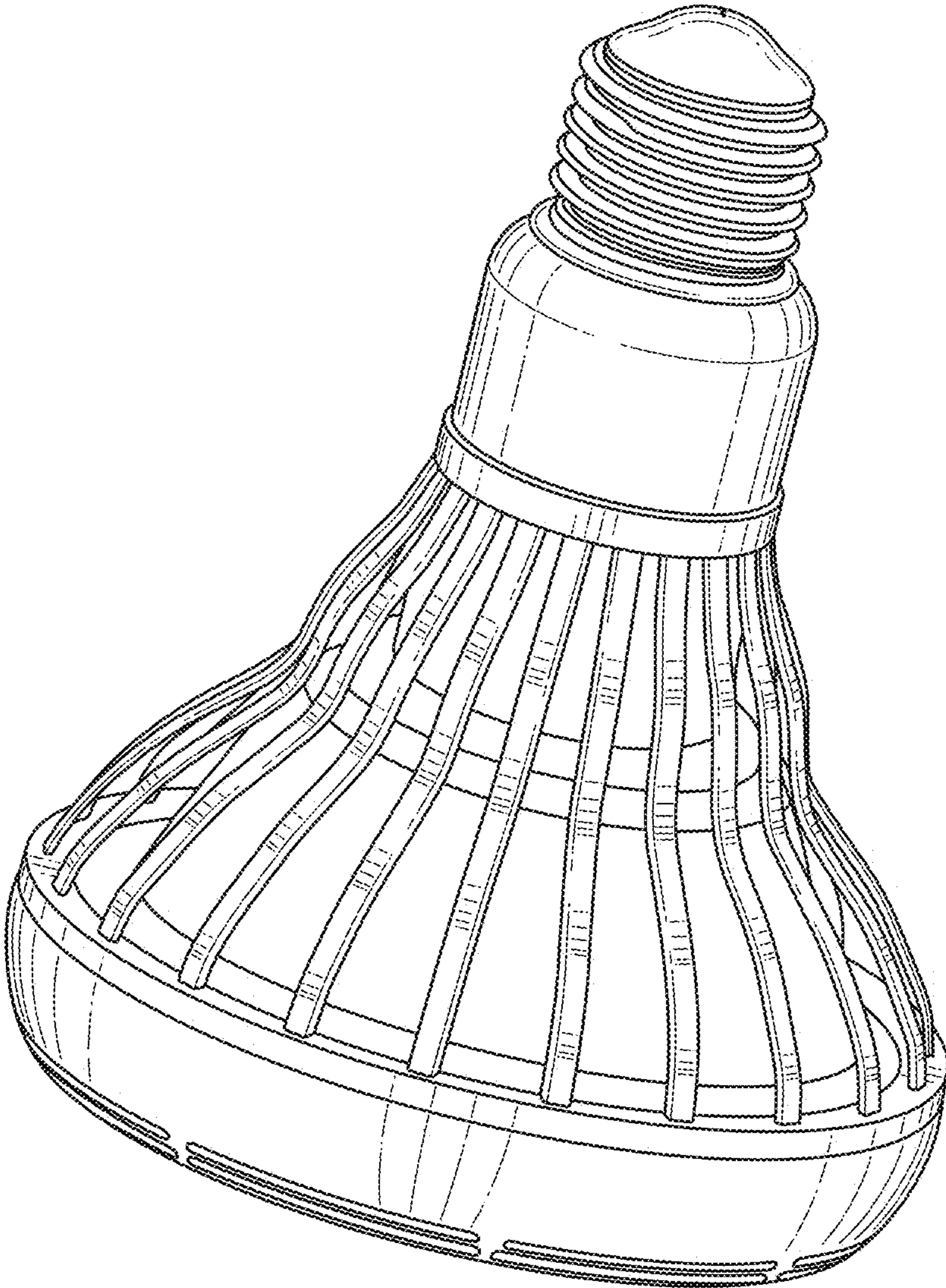


FIG. 2

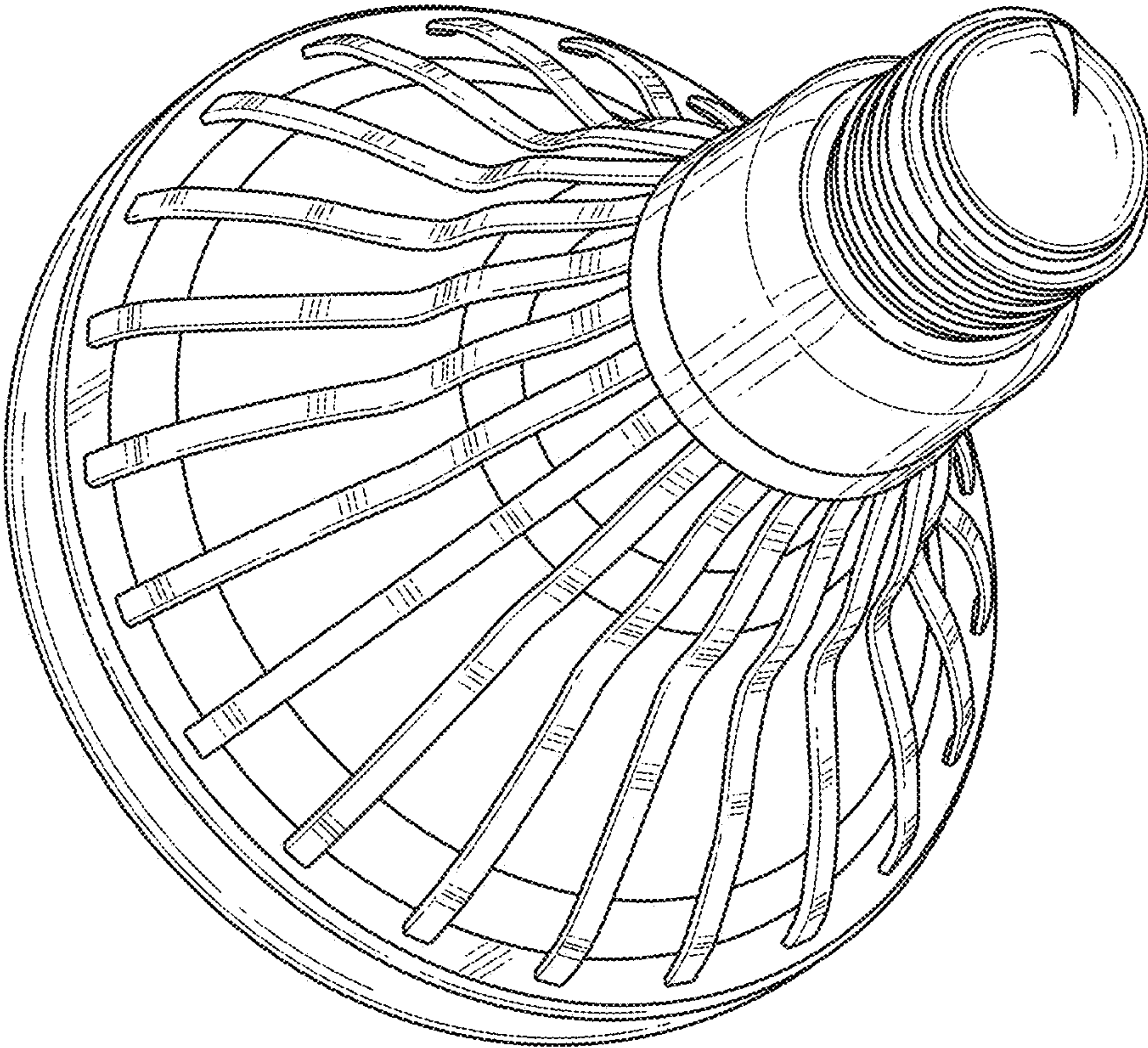


FIG. 3

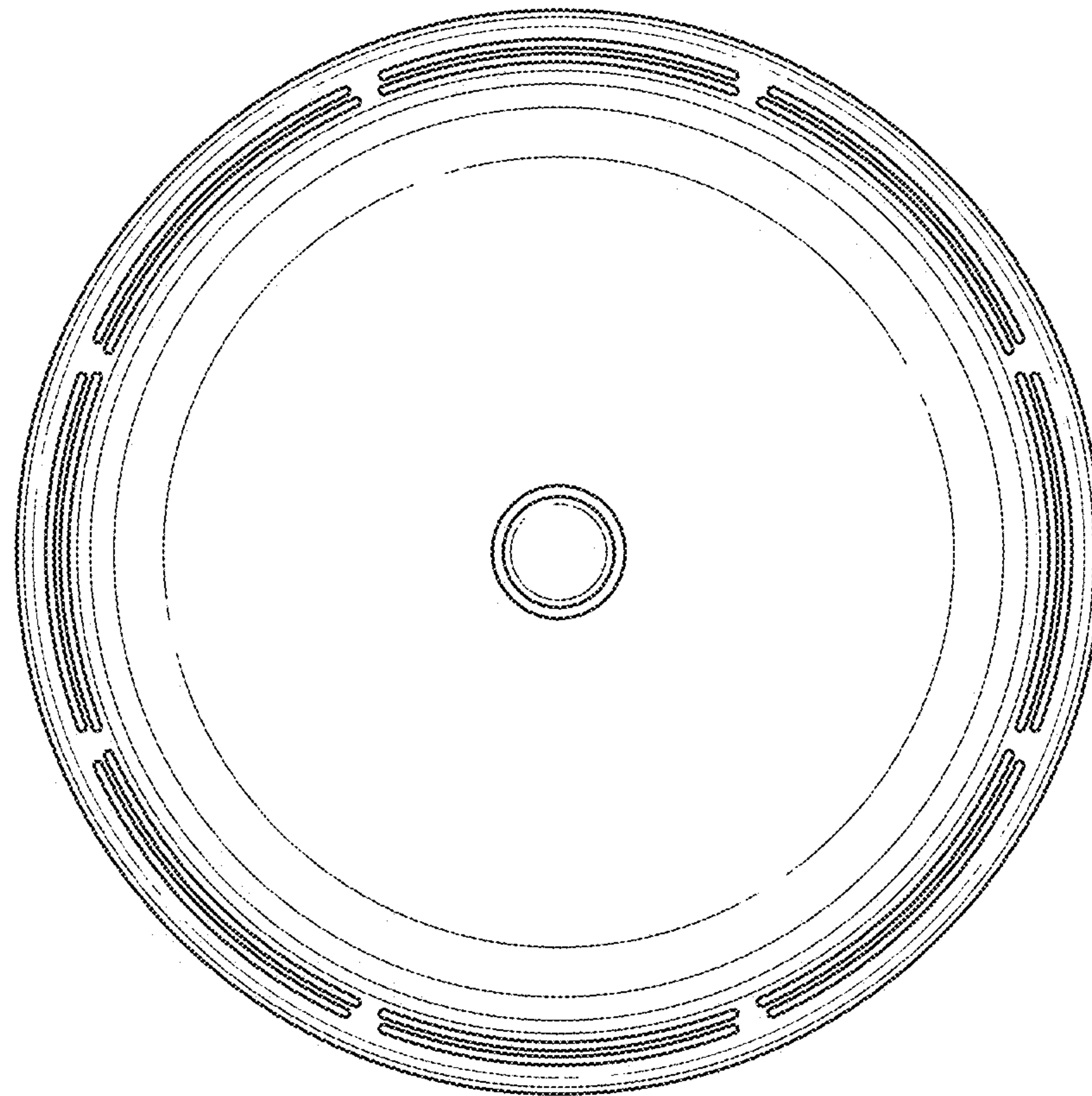


FIG. 4

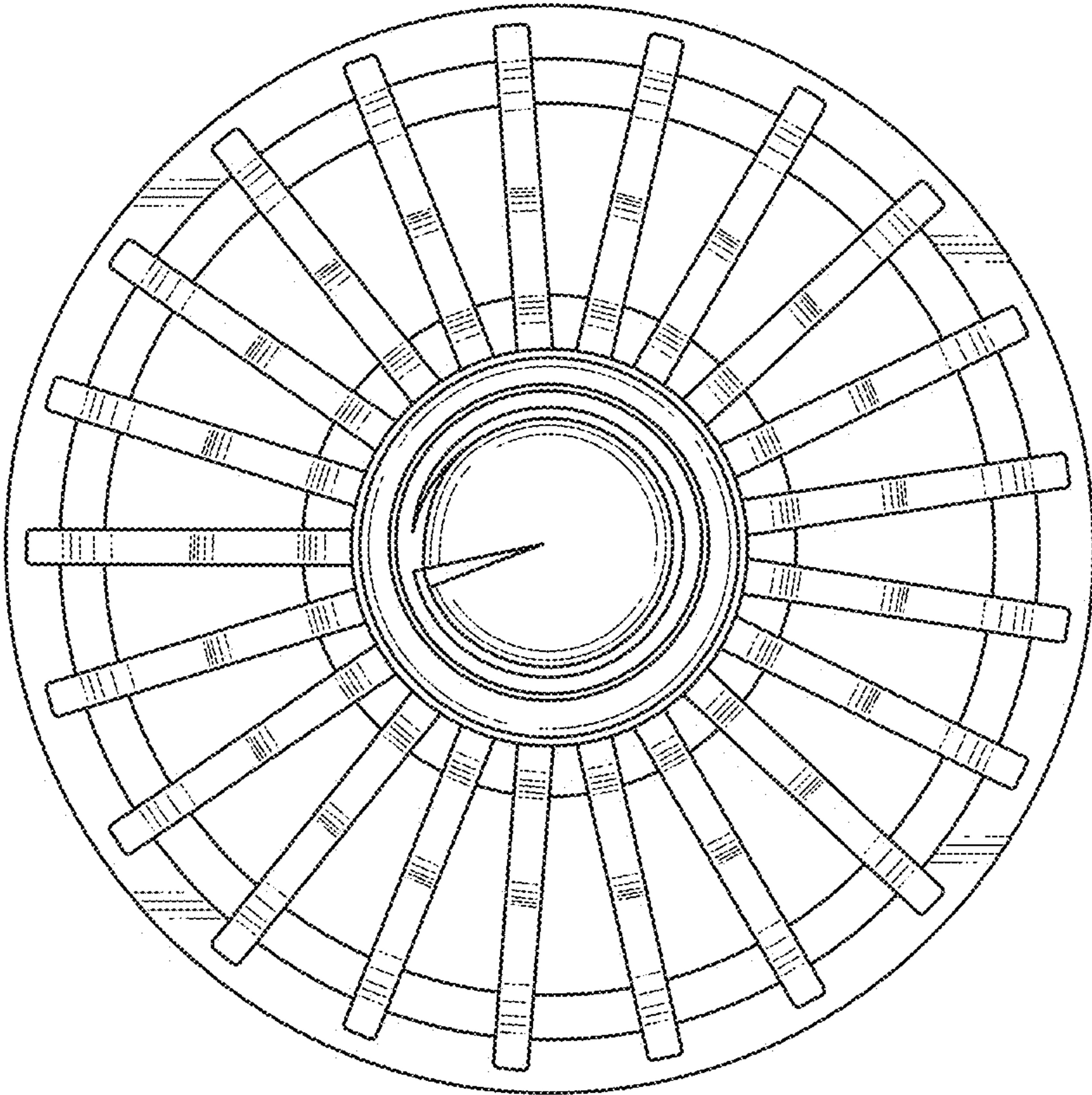


FIG. 5

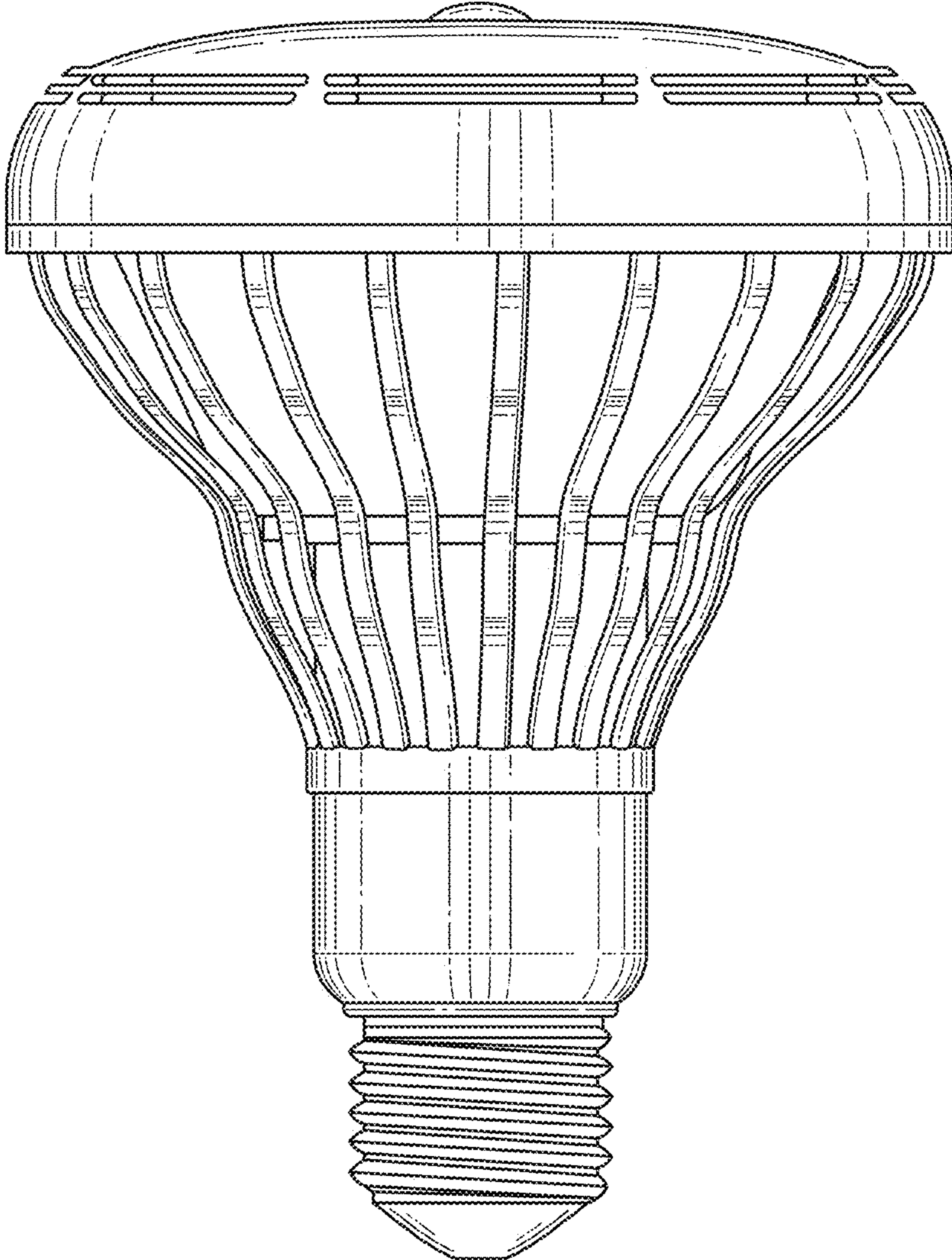


FIG. 6