



US00D963014S

(12) **United States Design Patent**  
**Plange**

(10) **Patent No.:** **US D963,014 S**

(45) **Date of Patent:** **\*\* \*Sep. 6, 2022**

(54) **MAGNIFYING GLASSES WITH SINGLE LENS**

(71) Applicant: **Richemont International SA,**  
Villars-sur-Glâne (CH)

(72) Inventor: **Gerd Thomas Rudolf Plange,**  
Beringen (CH)

(73) Assignee: **Richemont International SA,**  
Villars-sur-Glâne (CH)

(\*) Notice: This patent is subject to a terminal disclaimer.

(\*\*) Term: **15 Years**

(21) Appl. No.: **29/756,062**

(22) Filed: **Oct. 26, 2020**

(30) **Foreign Application Priority Data**

Apr. 24, 2020 (WO) ..... 970051068

(51) **LOC (13) Cl.** ..... **16-06**

(52) **U.S. Cl.**  
USPC ..... **D16/135**

(58) **Field of Classification Search**  
USPC ..... D16/100, 130, 133, 135, 136, 310, 340  
CPC . G02C 7/088; G02C 7/86; G02C 7/08; G02C  
7/14; G02C 9/00  
See application file for complete search history.

(56) **References Cited**

**U.S. PATENT DOCUMENTS**

3,597,041 A \* 8/1971 Frantz ..... G02B 23/18  
359/410  
4,013,341 A \* 3/1977 Riley ..... G02B 23/20  
359/408

D275,205 S \* 8/1984 Nakayama ..... D16/133  
D389,826 S \* 1/1998 Cousins ..... D14/372  
D409,637 S \* 5/1999 Tomita ..... D16/133  
5,966,239 A \* 10/1999 Shirayanagi ..... G02B 7/002  
359/411  
D711,949 S \* 8/2014 Koenck ..... D16/130  
D806,318 S \* 12/2017 Yang ..... D24/110.2  
D835,694 S \* 12/2018 Dancsecs ..... D16/130  
D840,396 S \* 2/2019 Zhou ..... D14/372  
D917,608 S \* 4/2021 Bartlett ..... D16/340

\* cited by examiner

*Primary Examiner* — Richard Kearney

*Assistant Examiner* — Benjamin M Weeks

(74) *Attorney, Agent, or Firm* — Fross Zelnick Lehrman  
& Zissu, P.C.; Charles T. J. Weigell, Esq.

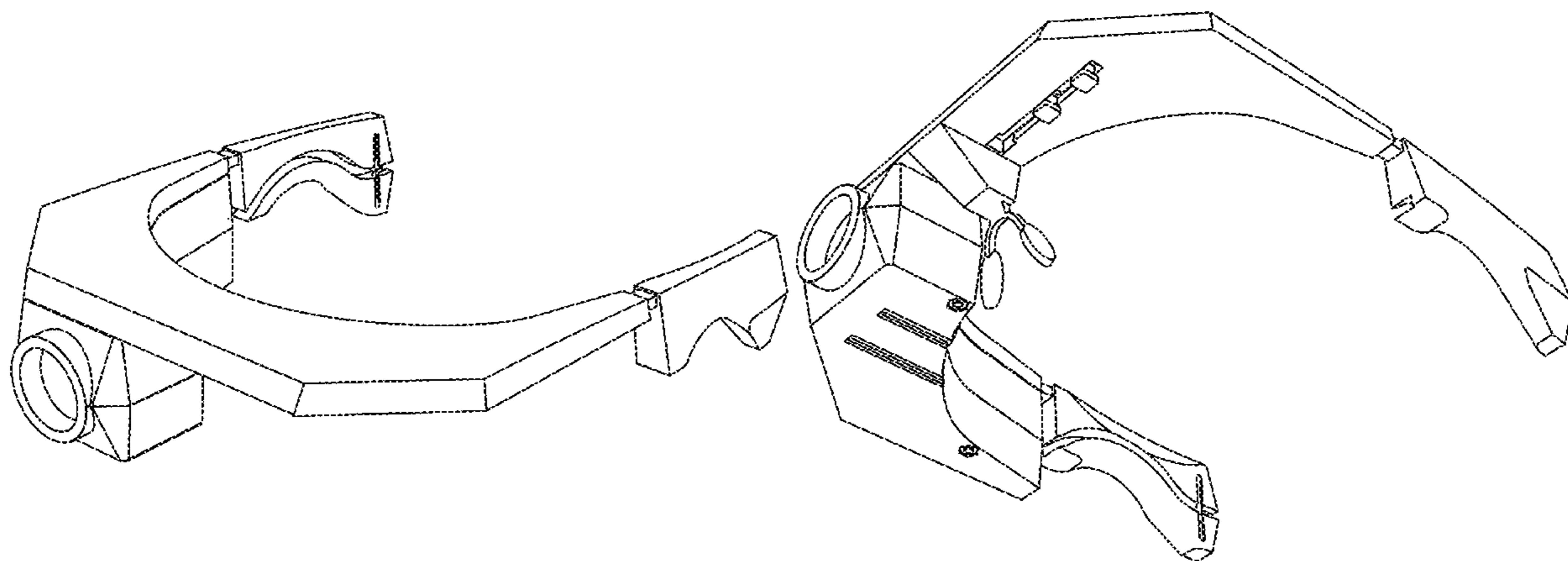
(57) **CLAIM**

The ornamental design for magnifying glasses with single lens, as shown and described.

**DESCRIPTION**

FIG. 1 is a front elevational view of magnifying glasses with single lens showing my new design;  
FIG. 2 is a back elevational view thereof;  
FIG. 3 is a top plan view thereof;  
FIG. 4 is a bottom plan view thereof;  
FIG. 5 is a left side elevational view thereof;  
FIG. 6 is a right side elevational view thereof;  
FIG. 7 is a front, top, right side perspective view thereof;  
and,  
FIG. 8 is a front, bottom, right side perspective view thereof.

**1 Claim, 8 Drawing Sheets**



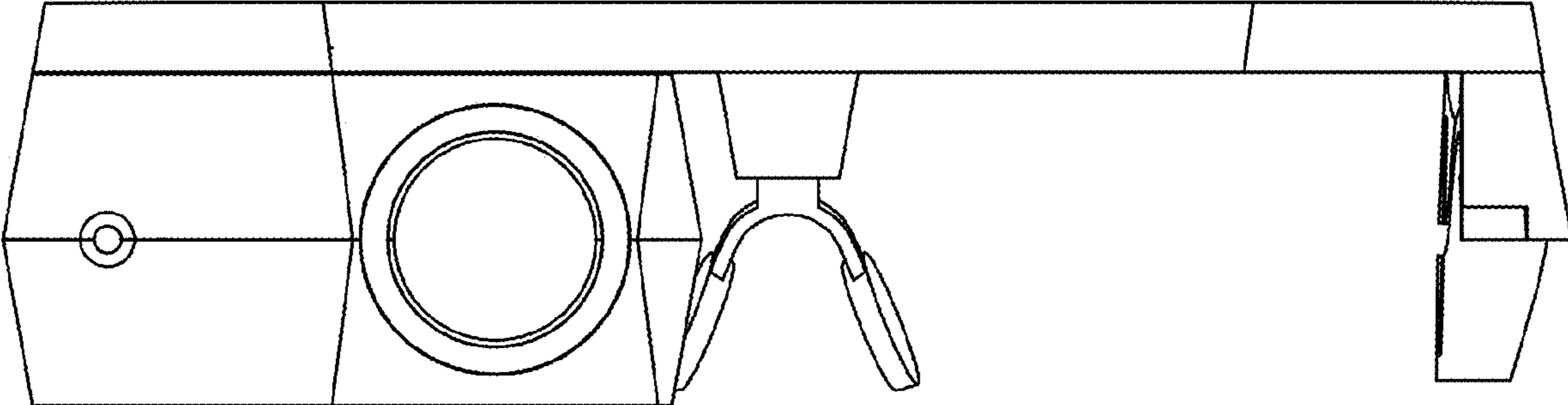


Fig. 1

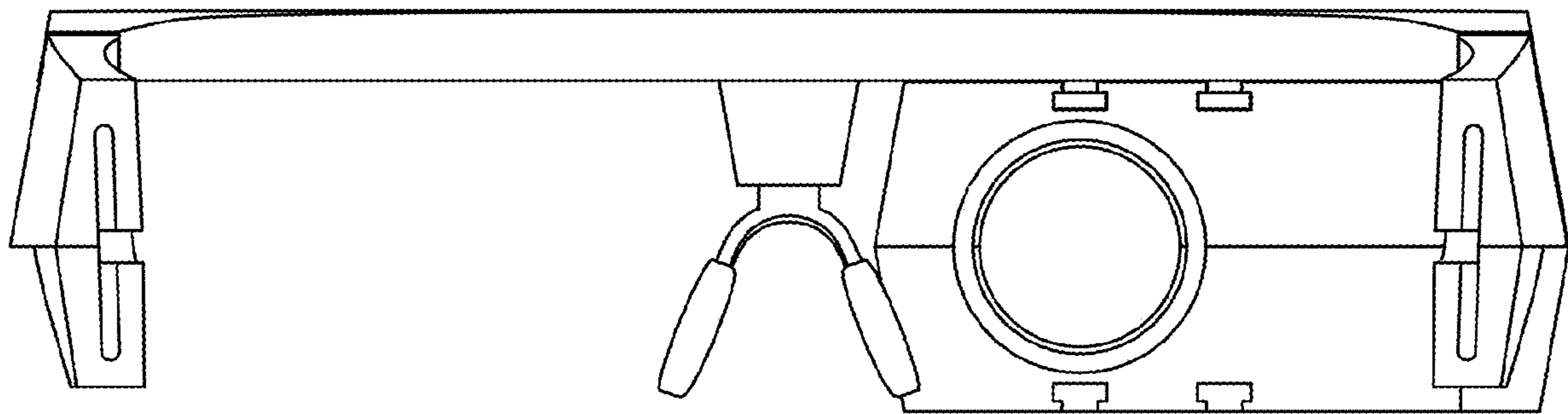


Fig. 2

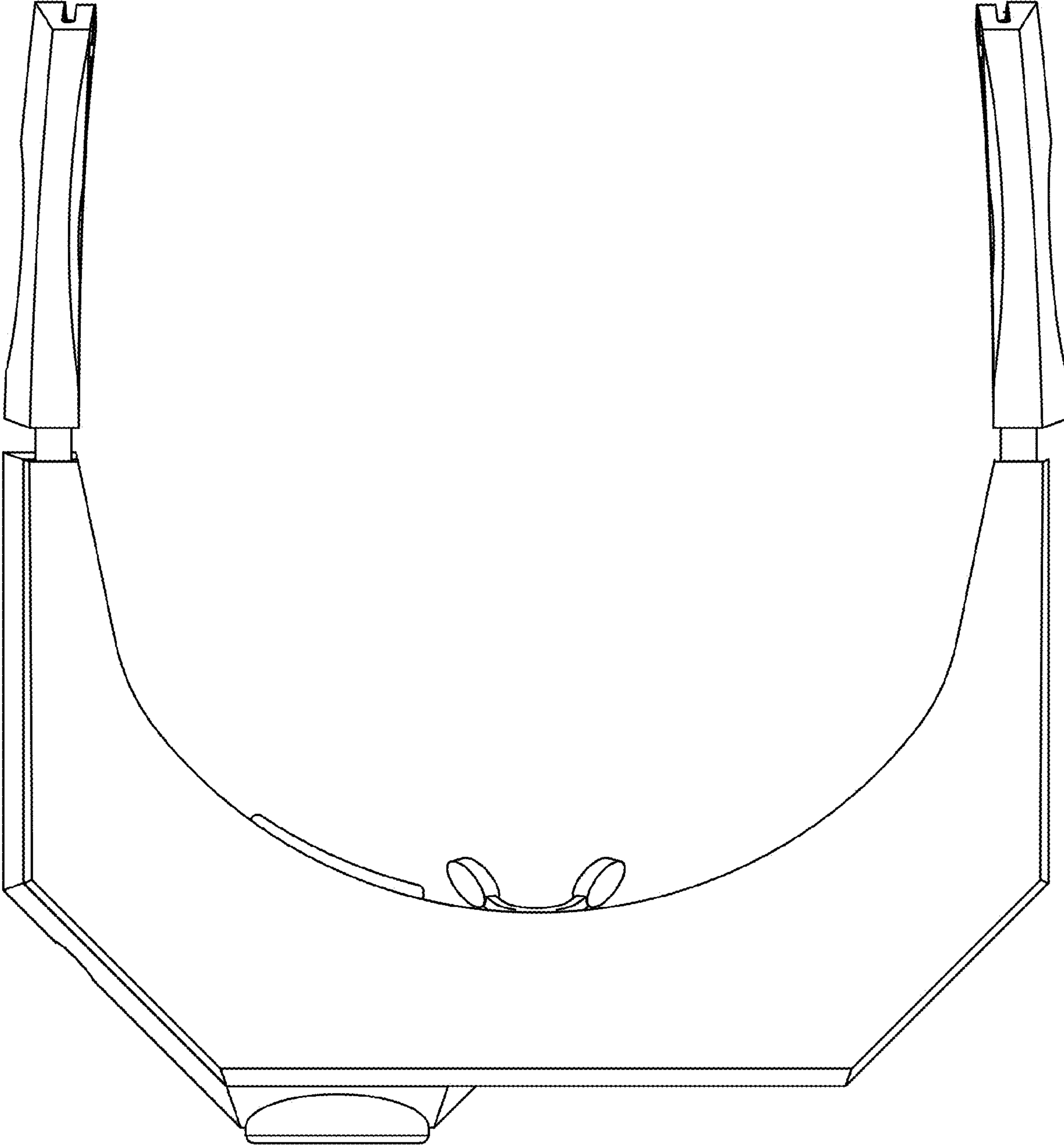


Fig. 3

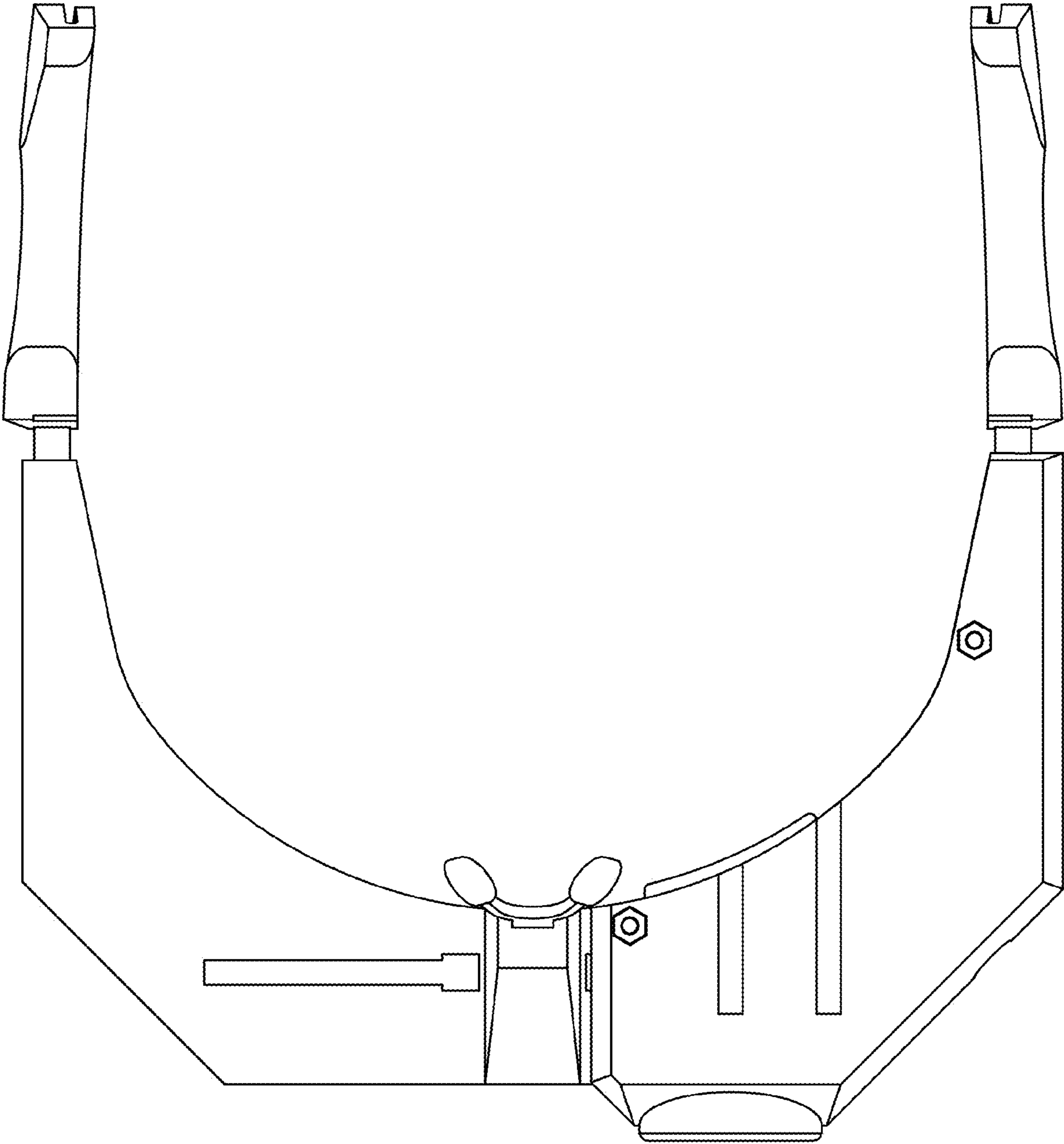


Fig. 4

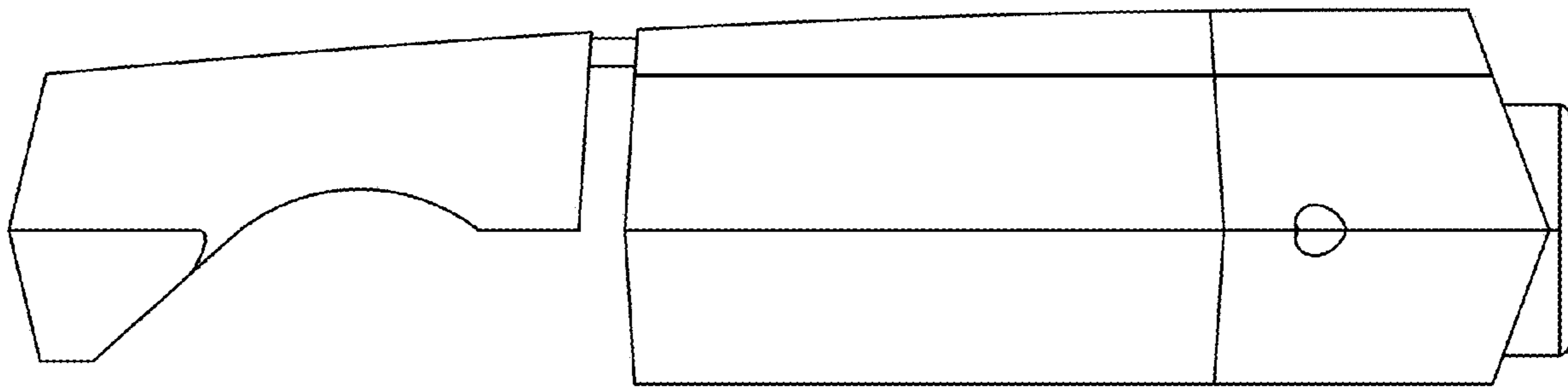


Fig. 5

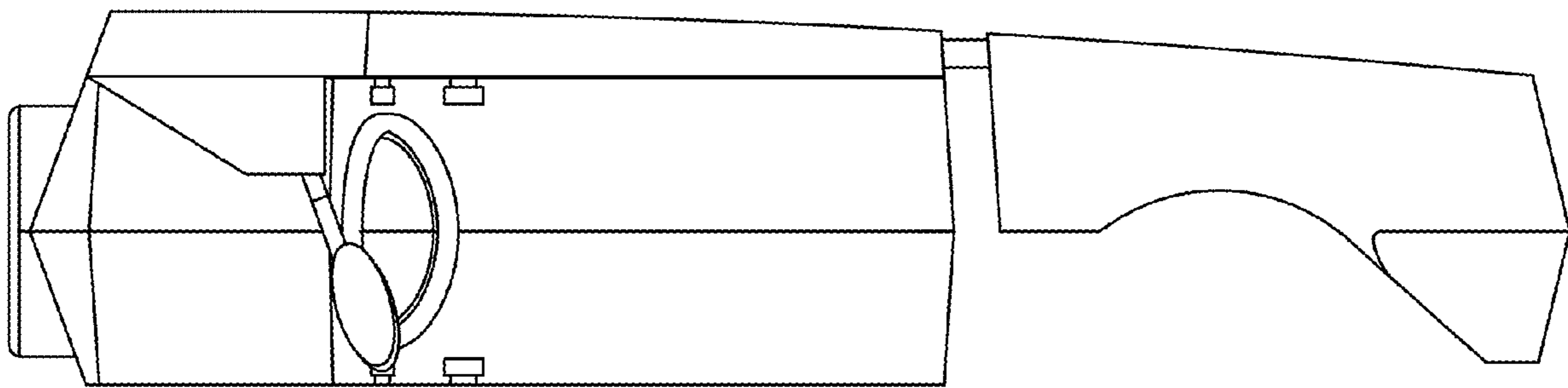


Fig. 6

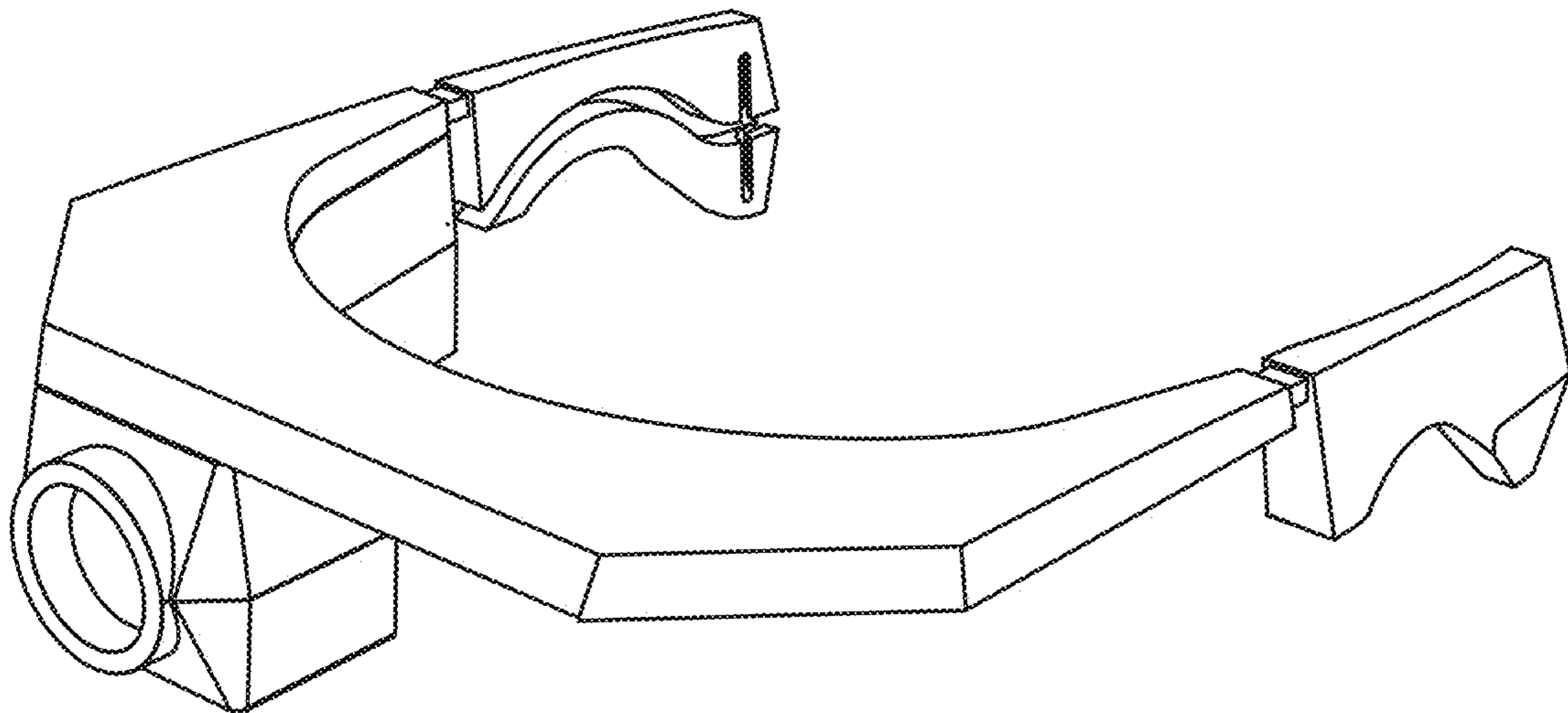


Fig. 7



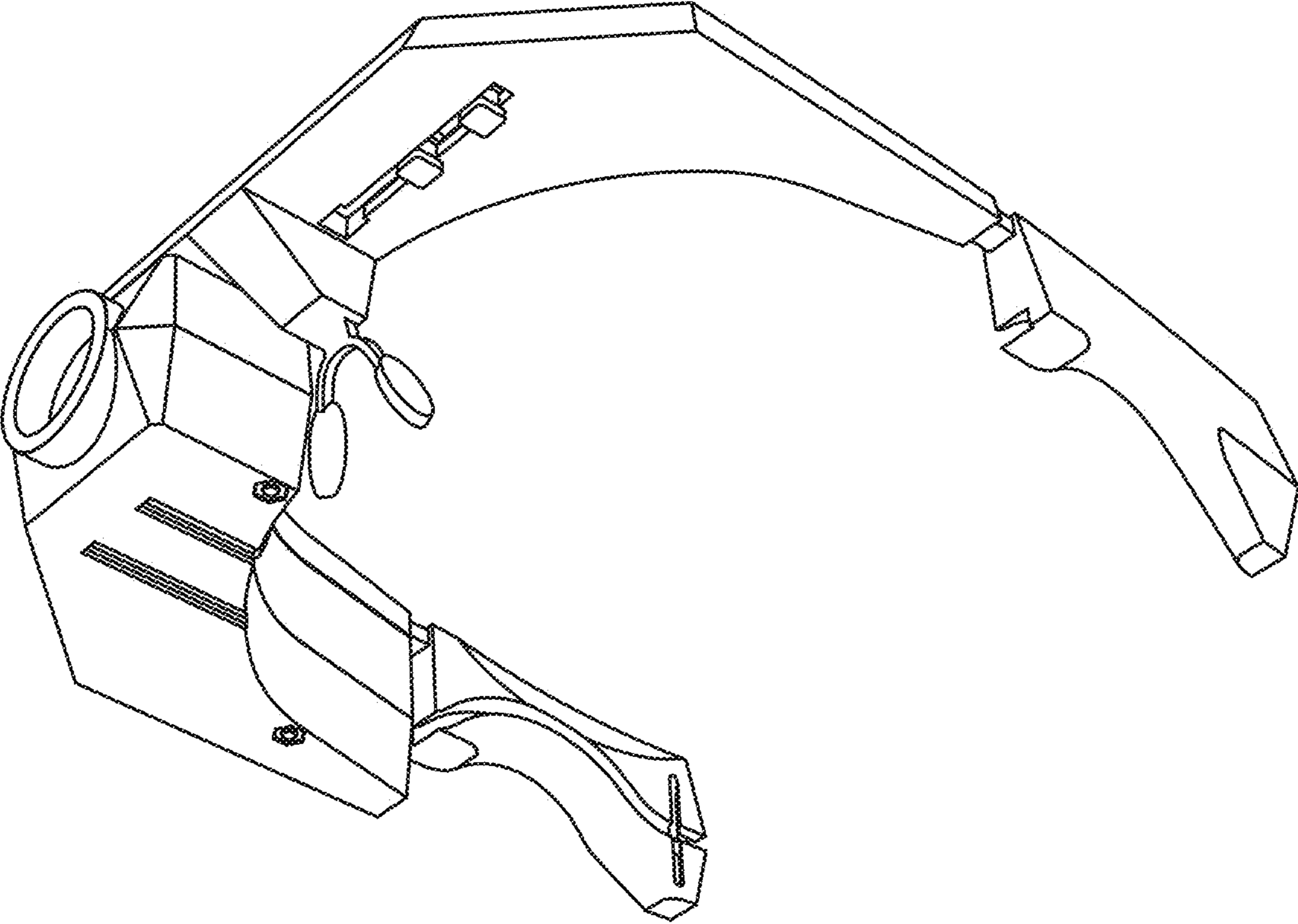


Fig. 8