



US00D963013S

(12) **United States Design Patent**  
**Urruth Kemmerich**

(10) **Patent No.:** **US D963,013 S**  
(45) **Date of Patent:** **\*\* Sep. 6, 2022**

(54) **ROBOT**

(71) Applicant: **GoBe Robots ApS**, Odense SØ (DK)

(72) Inventor: **Gustavo Urruth Kemmerich**, Odense (DJ)

(73) Assignee: **GoBe Robots ApS**, Odense (DK)

(\*\*) Term: **15 Years**

(21) Appl. No.: **29/734,906**

(22) Filed: **May 15, 2020**

(51) **LOC (13) Cl.** ..... **15-99**

(52) **U.S. Cl.**  
USPC ..... **D15/199**

(58) **Field of Classification Search**  
USPC ..... D15/199; D21/578–583, 621, 622;  
D32/21; D34/34

(Continued)

(56) **References Cited**

U.S. PATENT DOCUMENTS

D675,656 S \* 2/2013 Sutherland ..... D15/199  
D735,258 S \* 7/2015 Jang ..... D15/199

(Continued)

*Primary Examiner* — Patricia A Palasik

(74) *Attorney, Agent, or Firm* — Donald J. Lecher; Butzel Long

(57) **CLAIM**

The ornamental design for a robot, as shown and described.

**DESCRIPTION**

FIG. 1 shows a top left-side front perspective view of the robot of our new design;

FIG. 2 shows a top right-side rear perspective view of the robot of our new design;

FIG. 3 shows a front elevation view of the robot of our new design;

FIG. 4 shows a right-side elevation view of the robot of our new design;

FIG. 5 shows a rear elevation view of the robot of our new design opposite that of FIG. 3;

FIG. 6 shows a left-side elevation view of the robot of our new design opposite that of FIG. 4;

FIG. 7 shows a top plan view of the robot of our new design;

FIG. 8 shows a bottom plan view of the robot of our new design opposite that of FIG. 7;

FIG. 9 shows a bottom left-side front perspective view of the robot of our new design opposite that of FIG. 2;

FIG. 10 shows a front elevation view of a second embodiment of the robot of our new design, the second embodiment showing a black surface color of a forward-facing portion of lower sides and a bottom portion of a display screen surround member;

FIG. 11 shows a right-side elevation view of the second embodiment of the robot of our new design, the second embodiment showing the black surface color of the forward-facing portion of lower sides and the bottom portion of the display screen surround member;

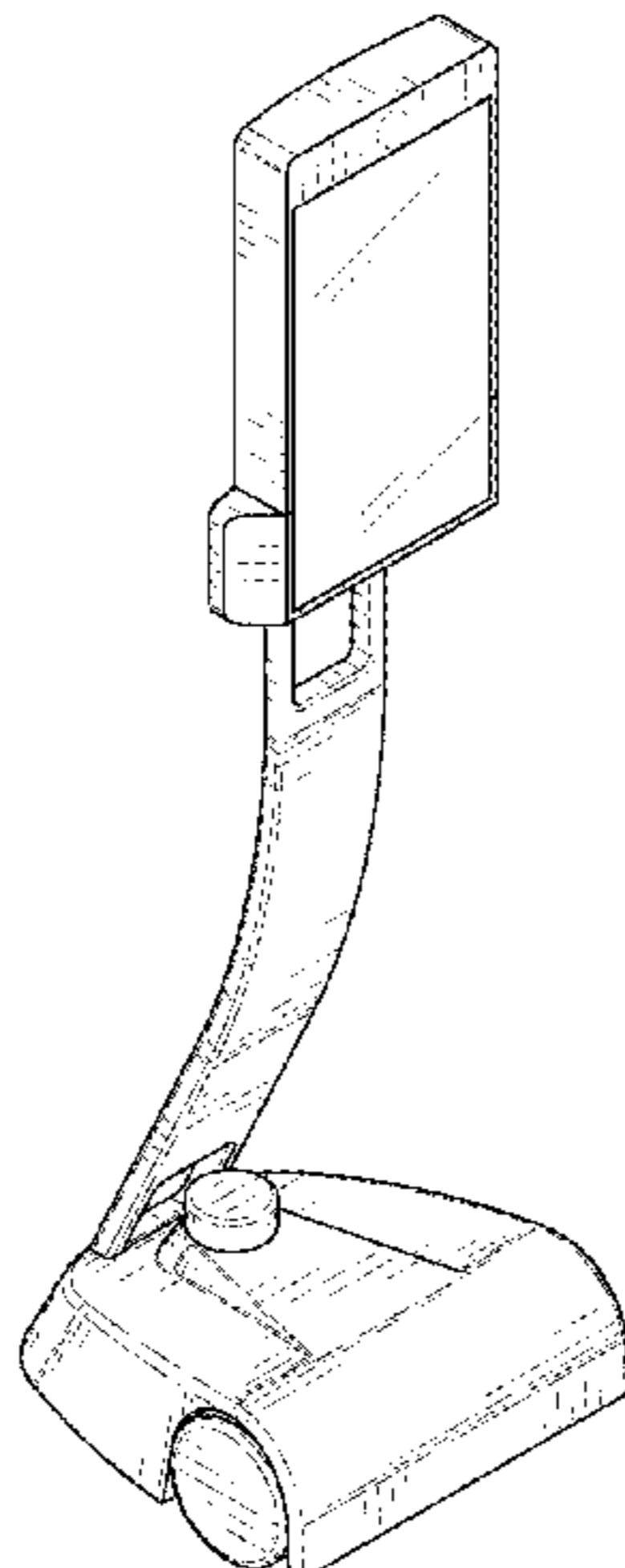
FIG. 12 shows a left-side elevation view of the second embodiment of the robot of our new design opposite that of FIG. 11, the second embodiment showing the black surface color of the forward-facing portion of lower sides and the bottom portion of the display screen surround member;

FIG. 13 shows a top left-side front perspective view of the second embodiment of the robot of our new design, the second embodiment showing the black surface color of the forward-facing portion of lower sides and the bottom portion of the display screen surround member;

FIG. 14 shows a top right-side front perspective view of the second embodiment of the robot of our new design, the second embodiment showing the black surface color of the forward-facing portion of lower sides and the bottom portion of the display screen surround member; and,

FIG. 15 shows a bottom left-side front perspective view of the second embodiment of the robot of our new design, the second embodiment showing the black surface color of the forward-facing portion of lower sides and the bottom portion of the display screen surround member.

(Continued)



The broken or evenly-dashed lines are included to show of structure in the drawings that form no part of the claimed design.

**1 Claim, 15 Drawing Sheets**

**(58) Field of Classification Search**

CPC ..... B25J 5/007; B25J 11/008; B60B 19/006;  
B62D 57/024; Y10S 901/01

See application file for complete search history.

**(56) References Cited**

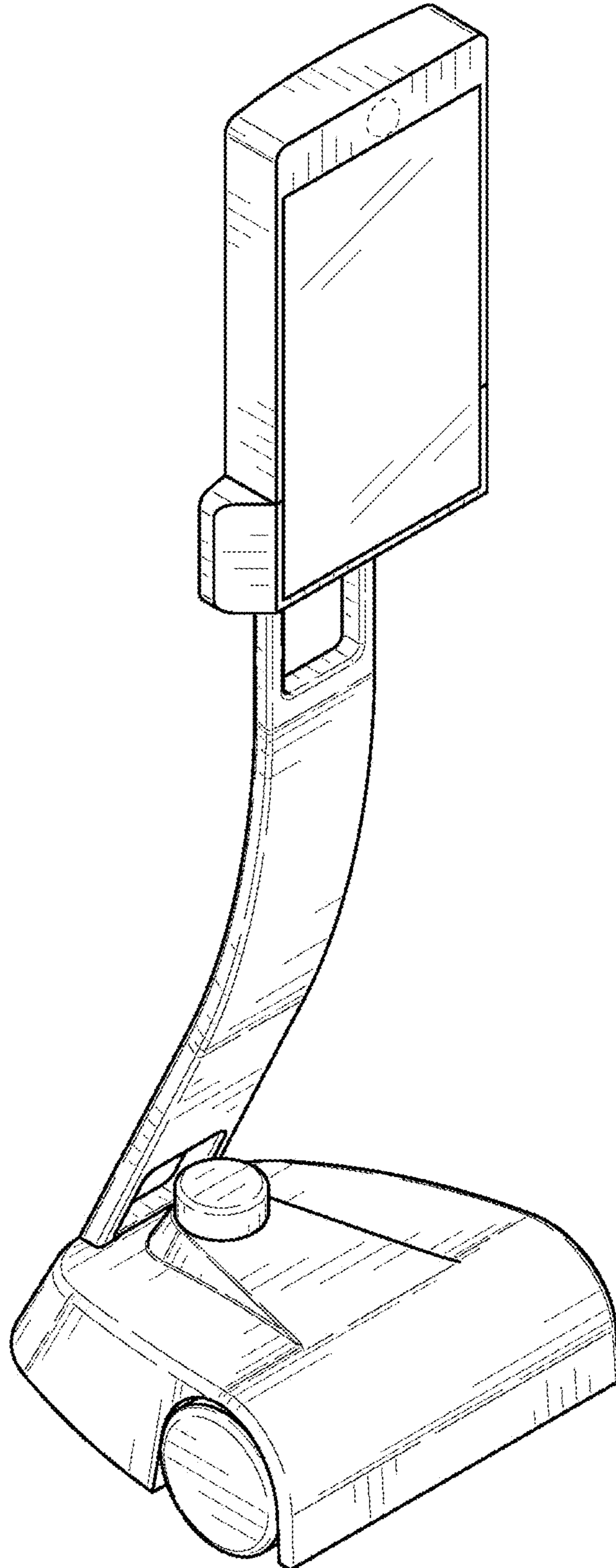
U.S. PATENT DOCUMENTS

9,174,342 B2 \* 11/2015 Pinter ..... B25J 9/1676  
9,776,327 B2 \* 10/2017 Pinter ..... B25J 9/1676

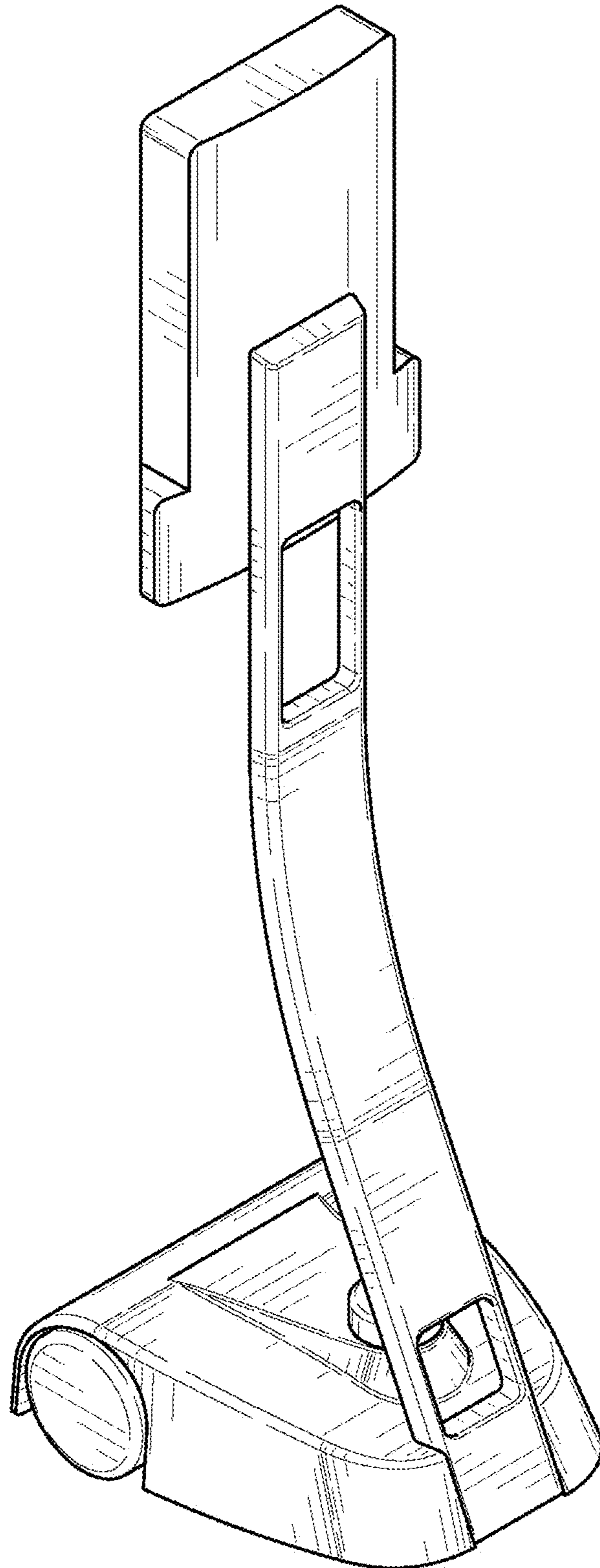
D811,458 S \* 2/2018 Wang ..... D15/199  
D817,375 S \* 5/2018 Deyle ..... D15/199  
D841,067 S \* 2/2019 Camporesi ..... D15/199  
D849,813 S \* 5/2019 Sutherland ..... D15/199  
D855,673 S \* 8/2019 Sutherland ..... D15/199  
D857,073 S \* 8/2019 Gayne ..... D15/199  
D859,485 S \* 9/2019 Sutherland ..... D15/199  
D872,788 S \* 1/2020 Sutherland ..... D15/199  
D877,786 S \* 3/2020 Gayne ..... D15/199  
D884,043 S \* 5/2020 Song ..... D15/199  
D908,151 S \* 1/2021 Song ..... D15/199  
D913,349 S \* 3/2021 Yao ..... D15/199  
D915,486 S \* 4/2021 Gidwell ..... D15/199  
D917,591 S \* 4/2021 Xiao ..... D15/199  
D919,687 S \* 5/2021 Song ..... D15/199  
D920,411 S \* 5/2021 Zheng ..... B25J 9/1676  
D921,080 S \* 6/2021 Chen ..... D15/199  
D937,920 S \* 12/2021 Gidwell ..... D15/199

\* cited by examiner

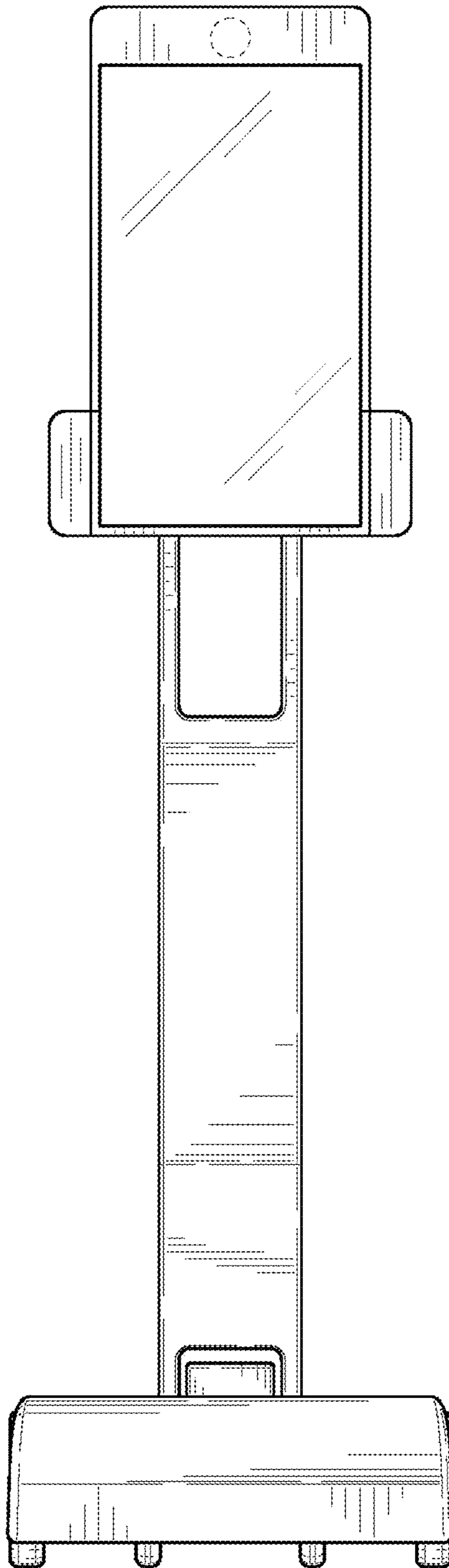
**FIG. 1**



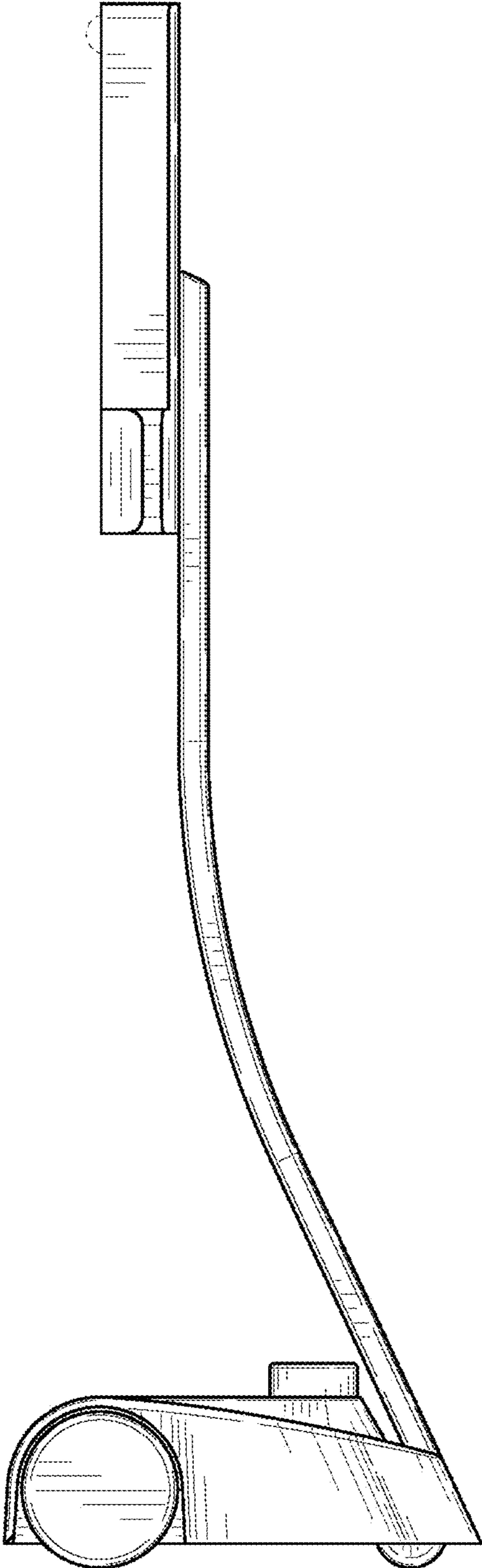
**FIG. 2**



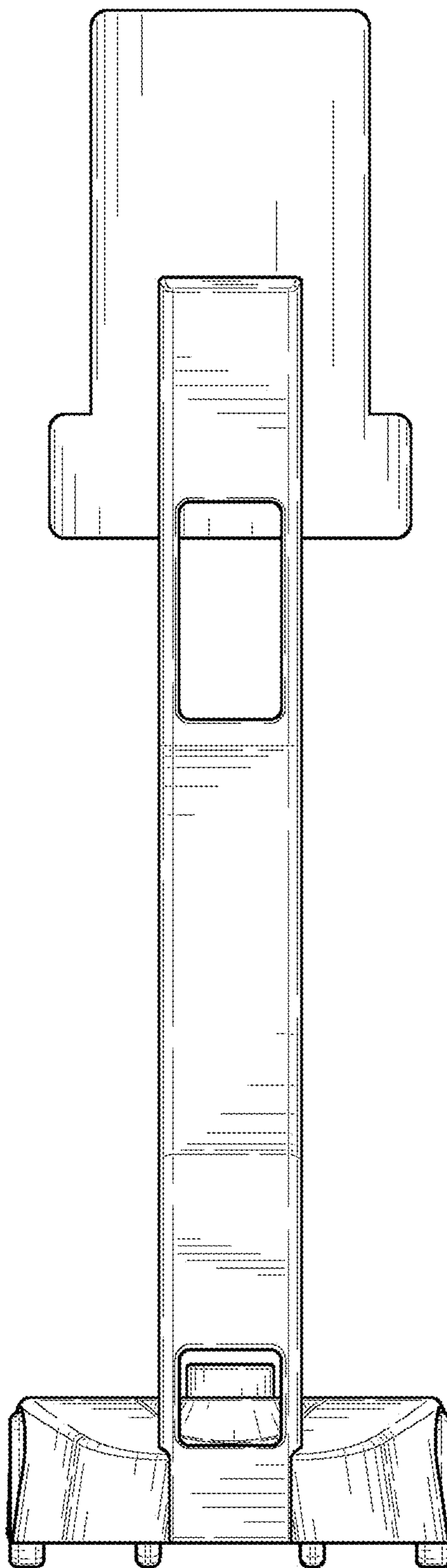
**FIG. 3**



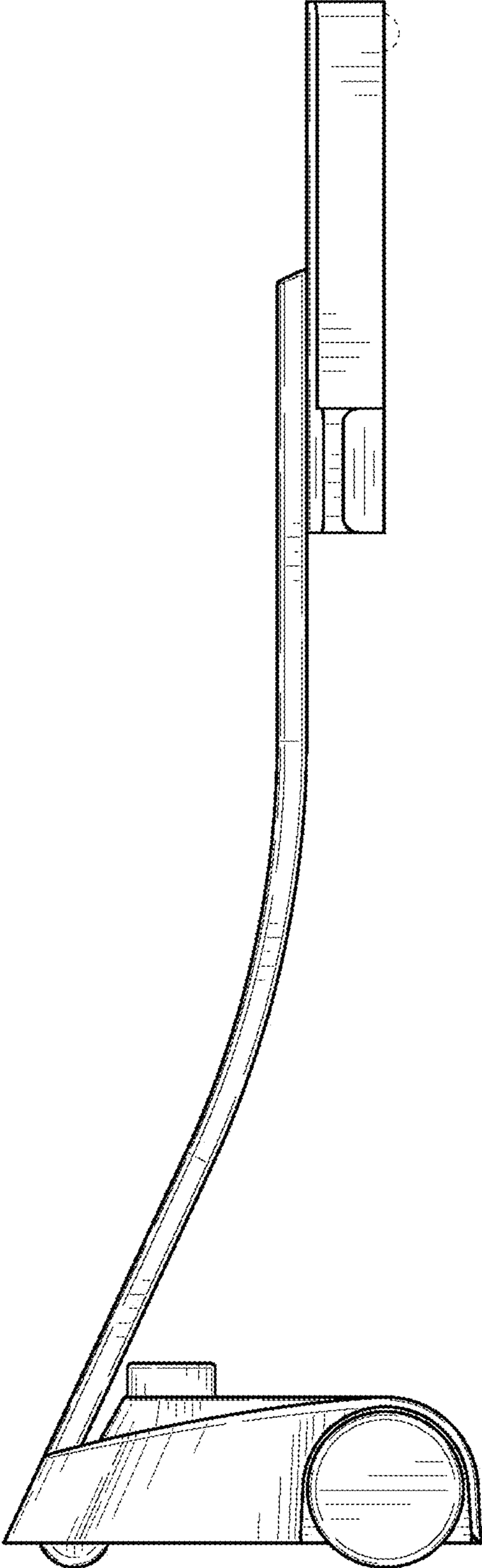
**FIG. 4**



**FIG. 5**

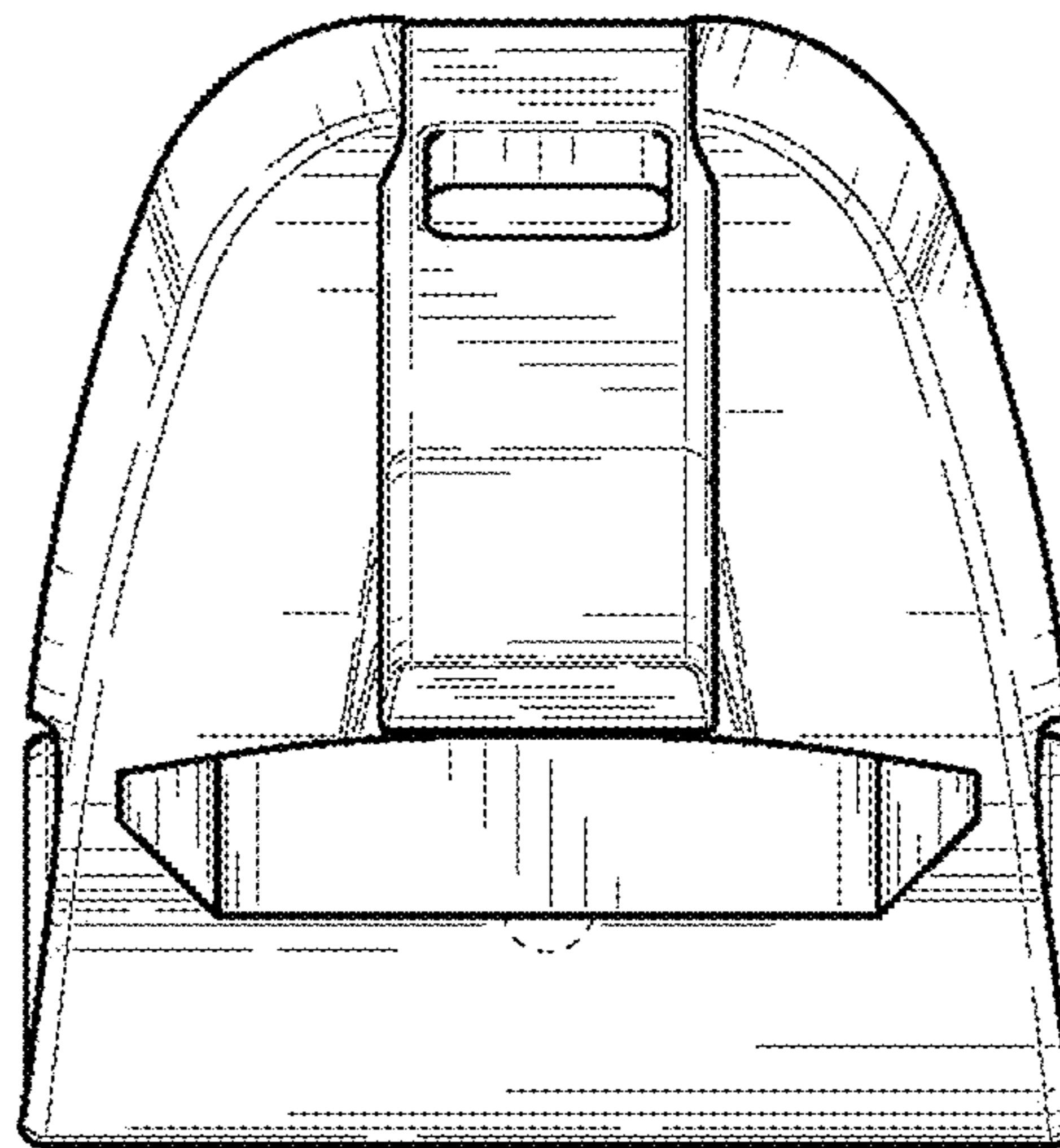


**FIG. 6**

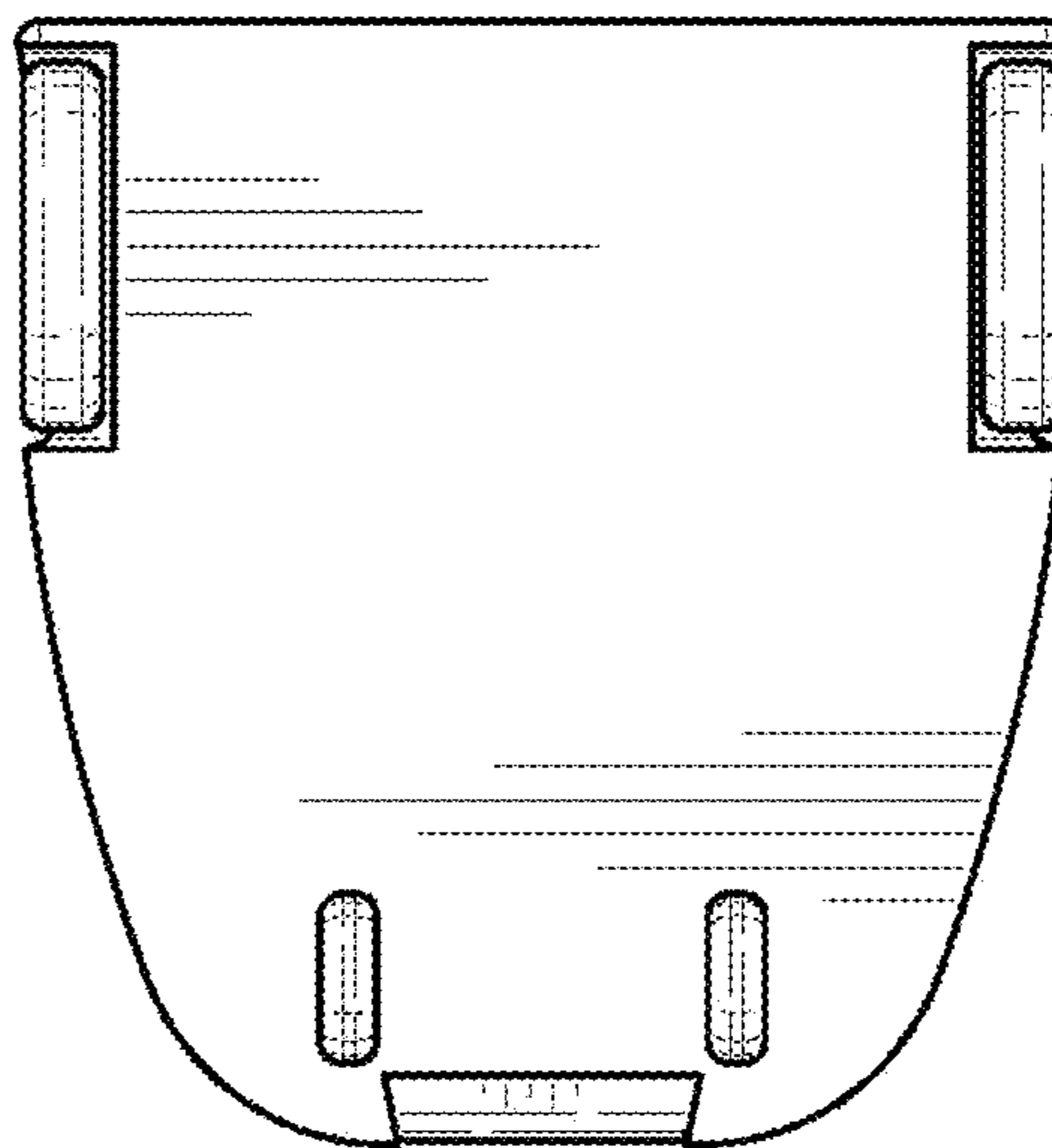




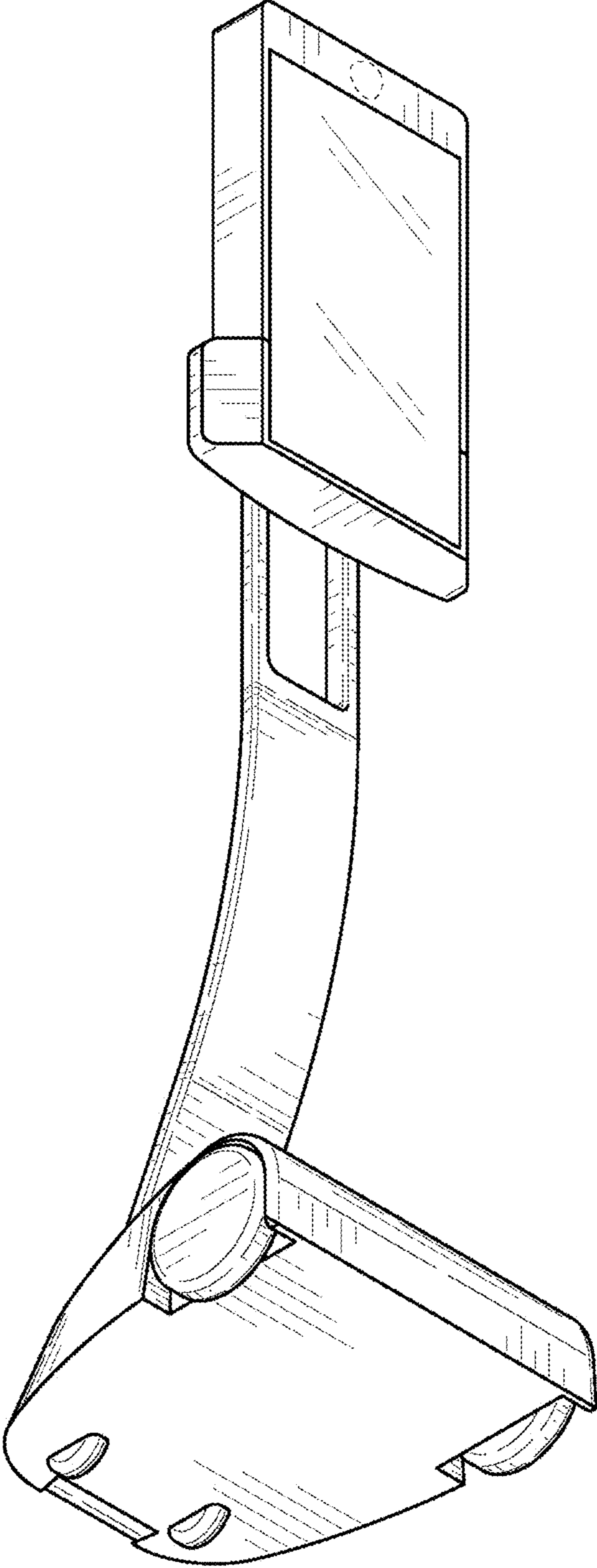
**FIG. 7**



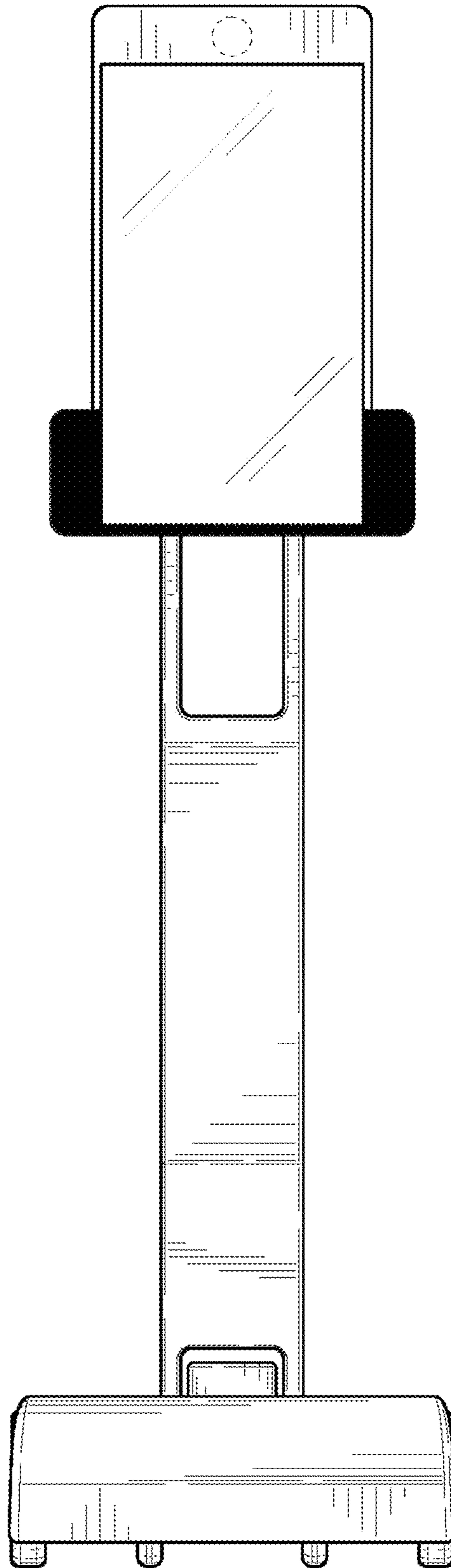
**FIG. 8**



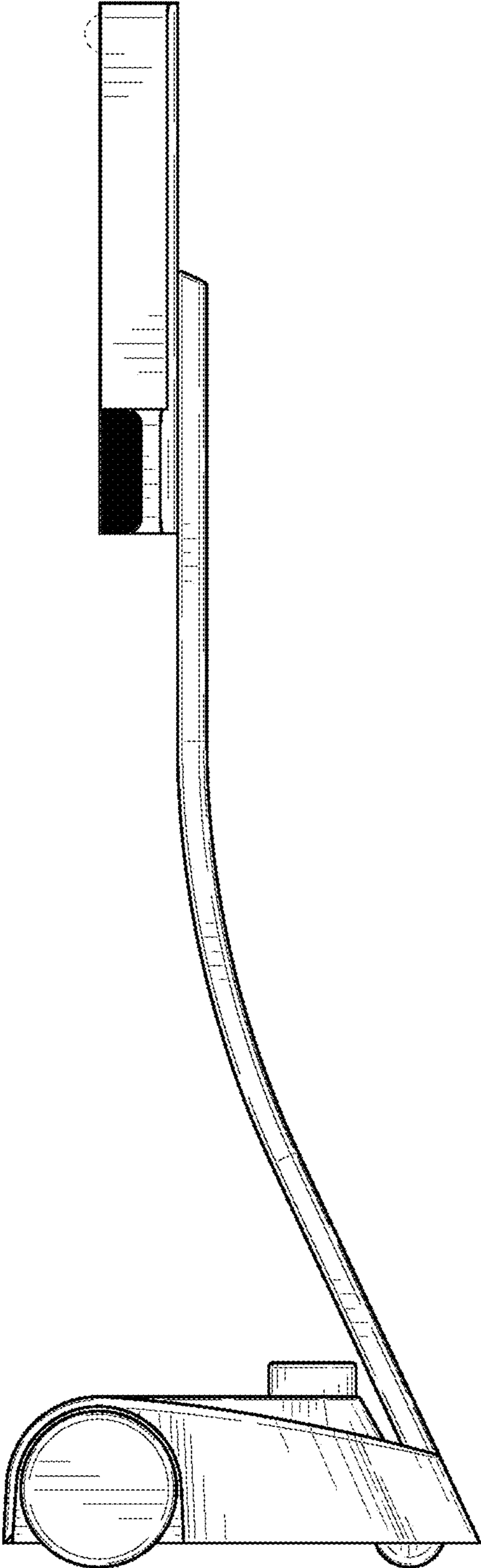
**FIG. 9**



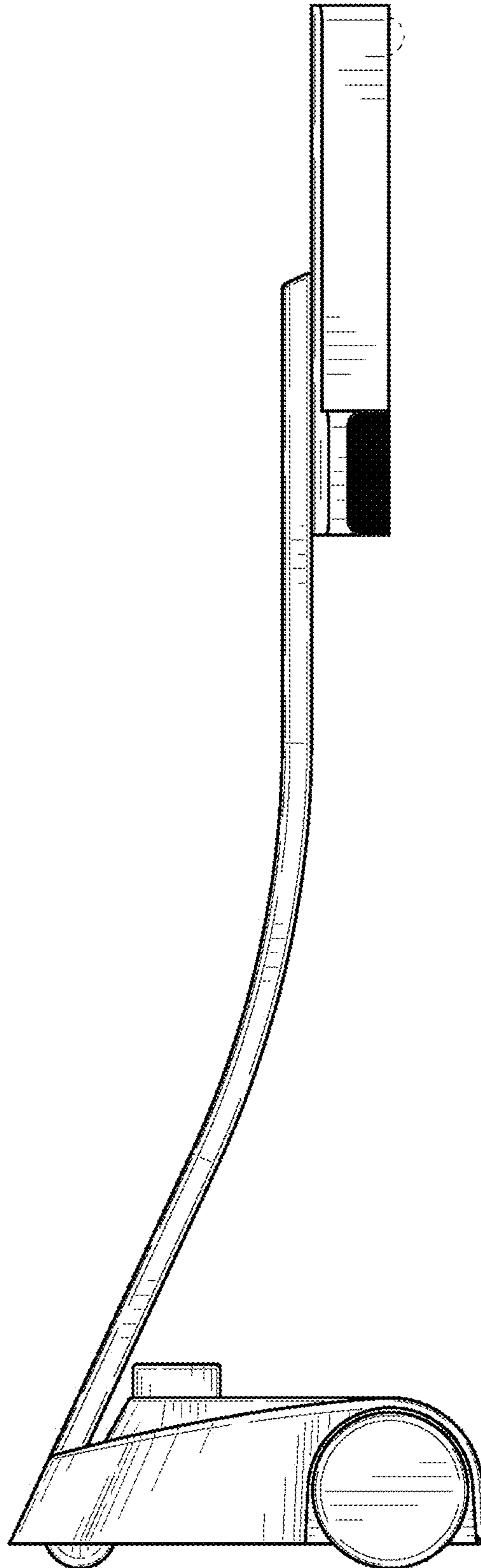
**FIG. 10**



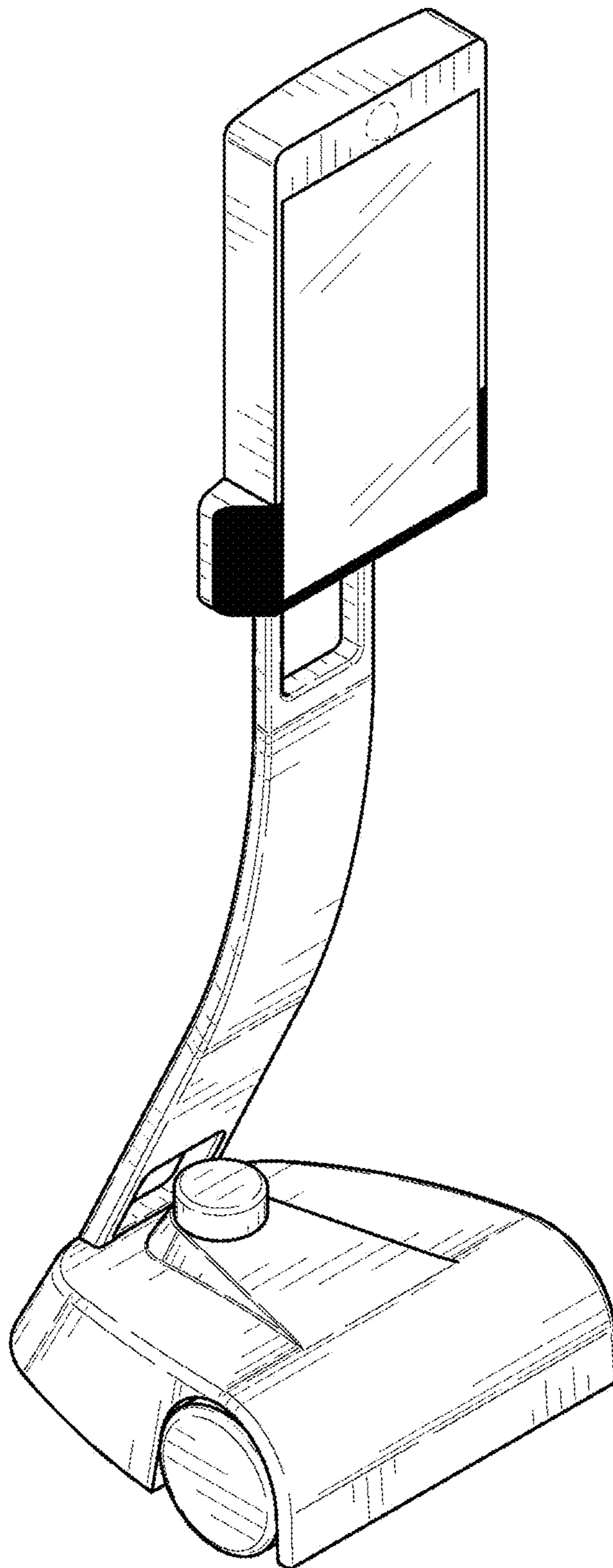
**FIG. 11**



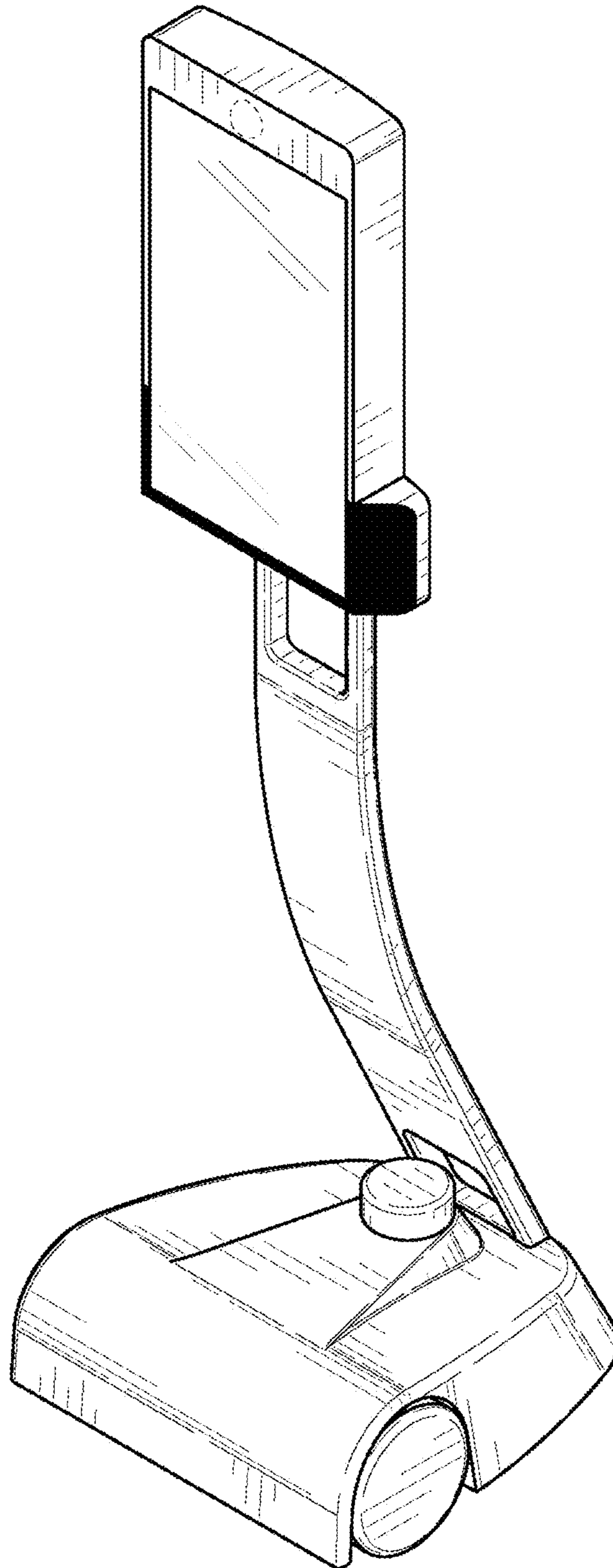
**FIG. 12**



**FIG. 13**



**FIG. 14**





**FIG. 15**

