



US00D963008S

(12) **United States Design Patent**
Wang

(10) **Patent No.:** **US D963,008 S**

(45) **Date of Patent:** **** Sep. 6, 2022**

(54) **CUP TURNER**

(71) Applicant: **Zhiwei Wang**, Dongguan (CN)

(72) Inventor: **Zhiwei Wang**, Dongguan (CN)

(**) Term: **15 Years**

(21) Appl. No.: **29/702,147**

(22) Filed: **Aug. 16, 2019**

(30) **Foreign Application Priority Data**

May 23, 2019 (CN) 201930258022.1

(51) **LOC (13) Cl.** **15-09**

(52) **U.S. Cl.**
USPC **D15/122; D15/140**

(58) **Field of Classification Search**
USPC D15/130, 122, 140, 123, 143; D8/354,
D8/356, 71; D24/128; 72/379.2
CPC B23B 7/02; B23B 9/08; B23B 5/36; A43D
43/06; A43D 55/00; A43D 85/00; B27C
7/005; B28B 1/02; B28B 11/02; B28B
11/12; B28B 11/18; B28B 5/08
See application file for complete search history.

(56) **References Cited**

U.S. PATENT DOCUMENTS

D116,830 S * 9/1939 Phillis D15/1
D120,863 S * 6/1940 Hoelscher D15/130
D201,048 S * 5/1965 Zimmerman et al. D15/122
D504,139 S * 4/2005 Johnson D15/122

7,997,172 B2 * 8/2011 Hyatt B23B 5/36
82/1.11
8,359,956 B1 * 1/2013 Sutter B23Q 35/109
82/15
D908,749 S * 1/2021 Luo D15/140
D915,476 S * 4/2021 Luo D15/140
D936,115 S * 11/2021 Yang D15/140
D943,377 S * 2/2022 Xu D15/140
D947,261 S * 3/2022 He D15/140
D947,263 S * 3/2022 He D15/140
2007/0089804 A1 * 4/2007 Vincent B27C 7/005
142/7

* cited by examiner

Primary Examiner — Nathaniel D. Buckner

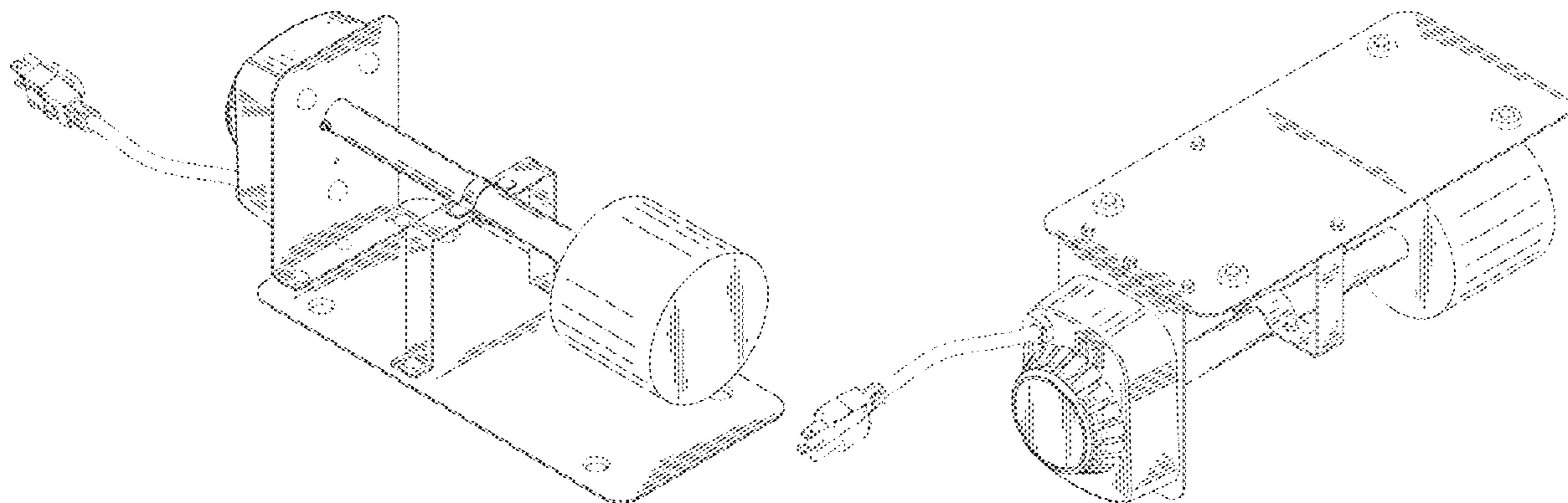
(57) **CLAIM**

The ornamental design for a “cup turner”, as shown and described.

DESCRIPTION

FIG. 1 is a first perspective view of a cup turner showing my new design;
FIG. 2 is a second perspective view thereof;
FIG. 3 is a front elevational view thereof;
FIG. 4 is a rear elevational view thereof;
FIG. 5 is a left elevational view thereof;
FIG. 6 is a right elevational view thereof;
FIG. 7 is a top plan view thereof; and,
FIG. 8 is a bottom plan view thereof.
The broken lines in the drawings are included for the purpose of illustrating portions of the article which form no part of the claimed design.

1 Claim, 8 Drawing Sheets



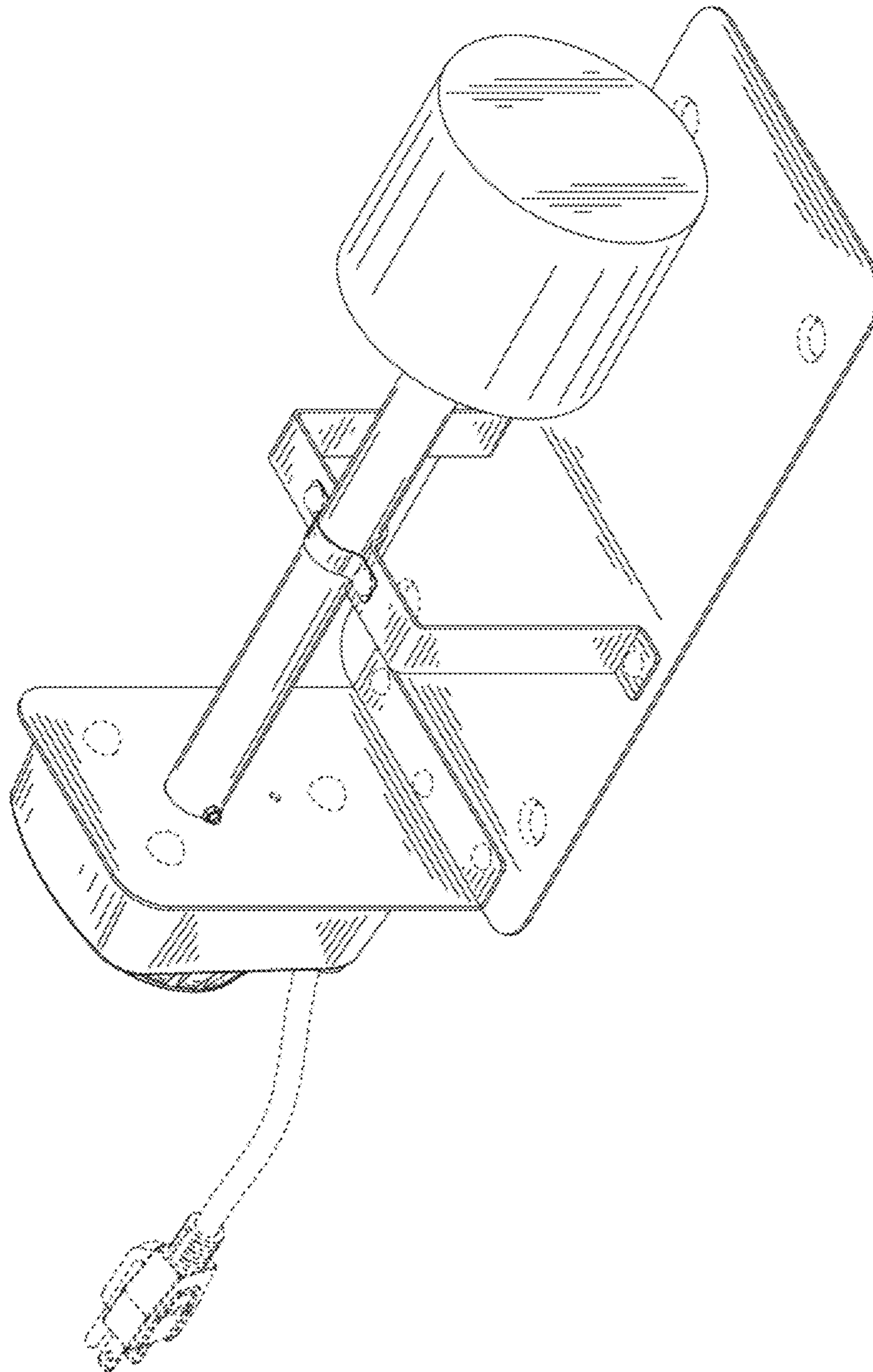


FIG. 1

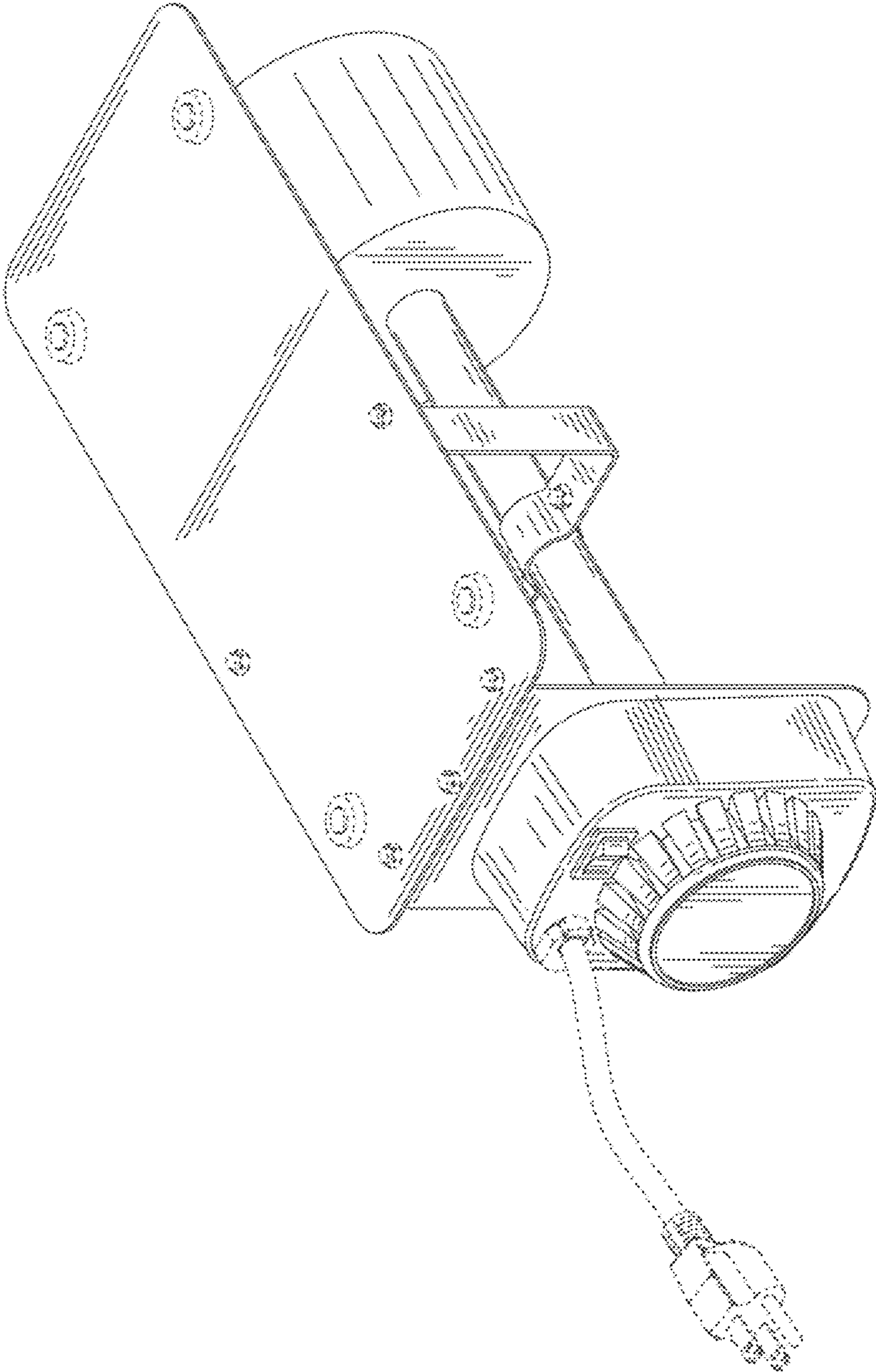


FIG. 2

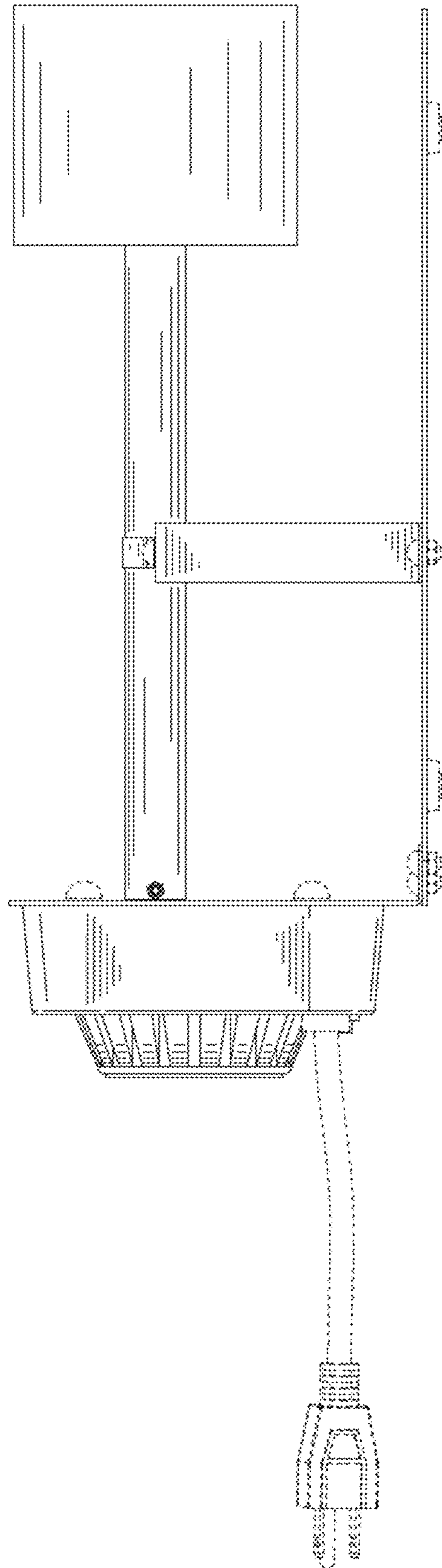


FIG. 3

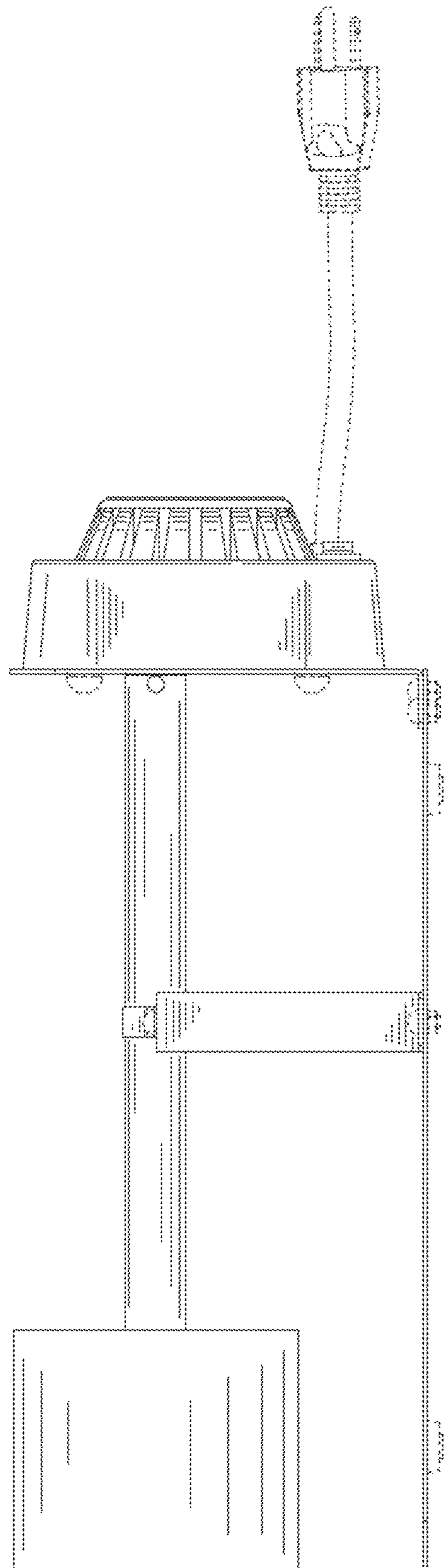


FIG. 4

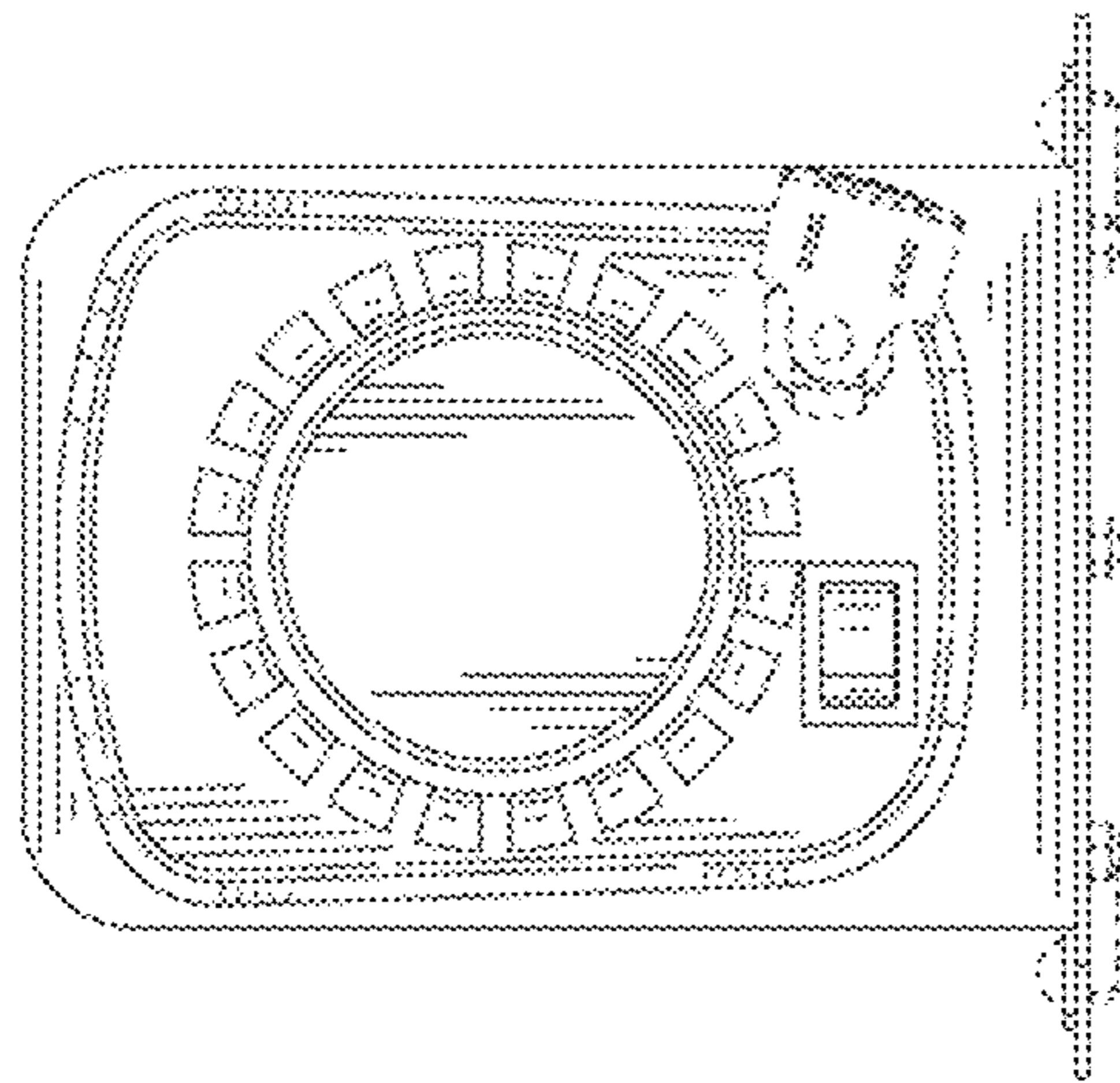


FIG. 5

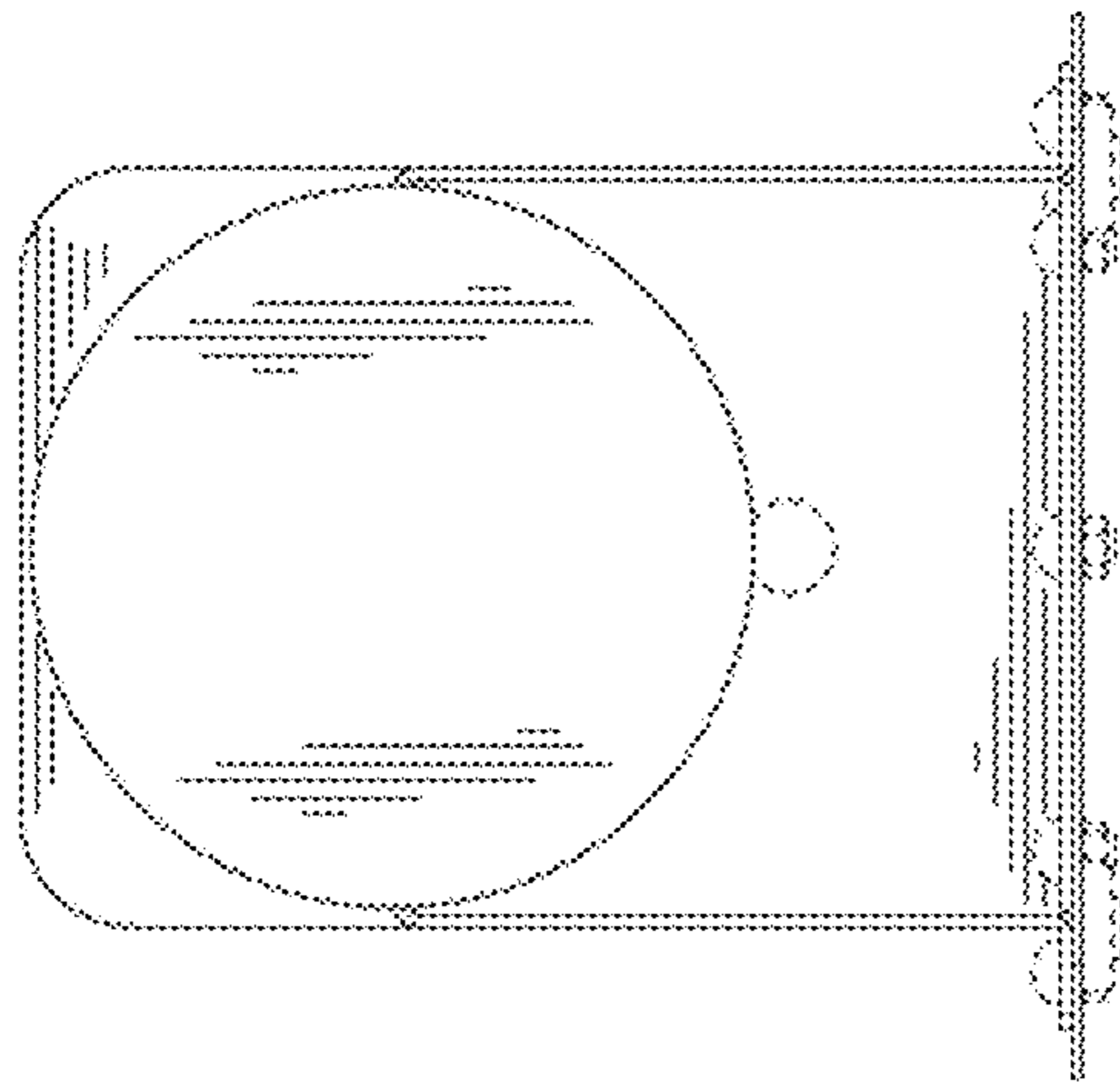


FIG. 6

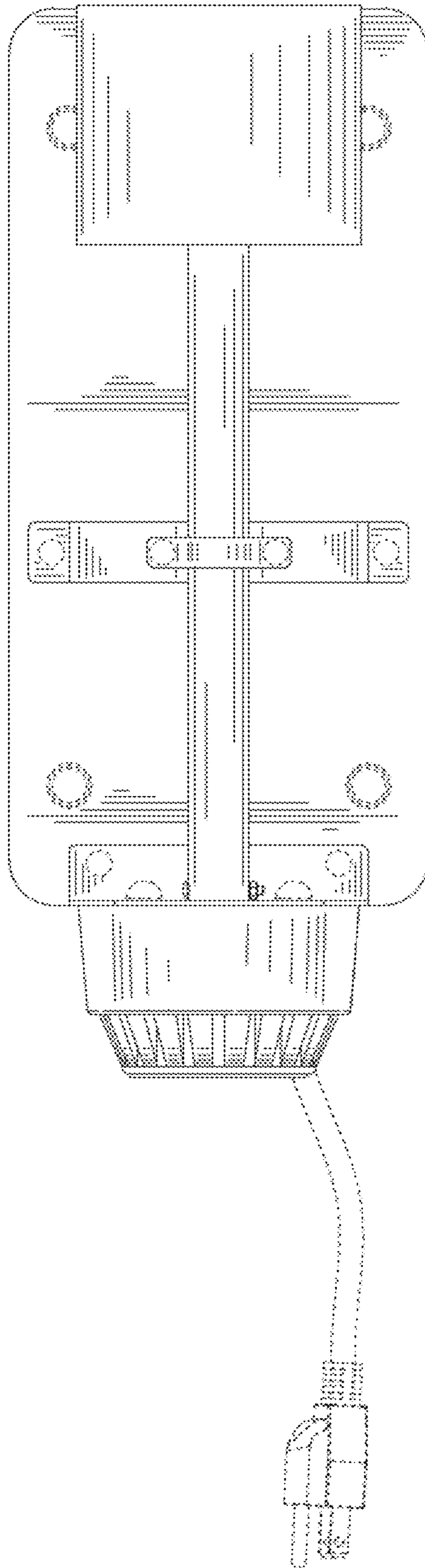


FIG. 7

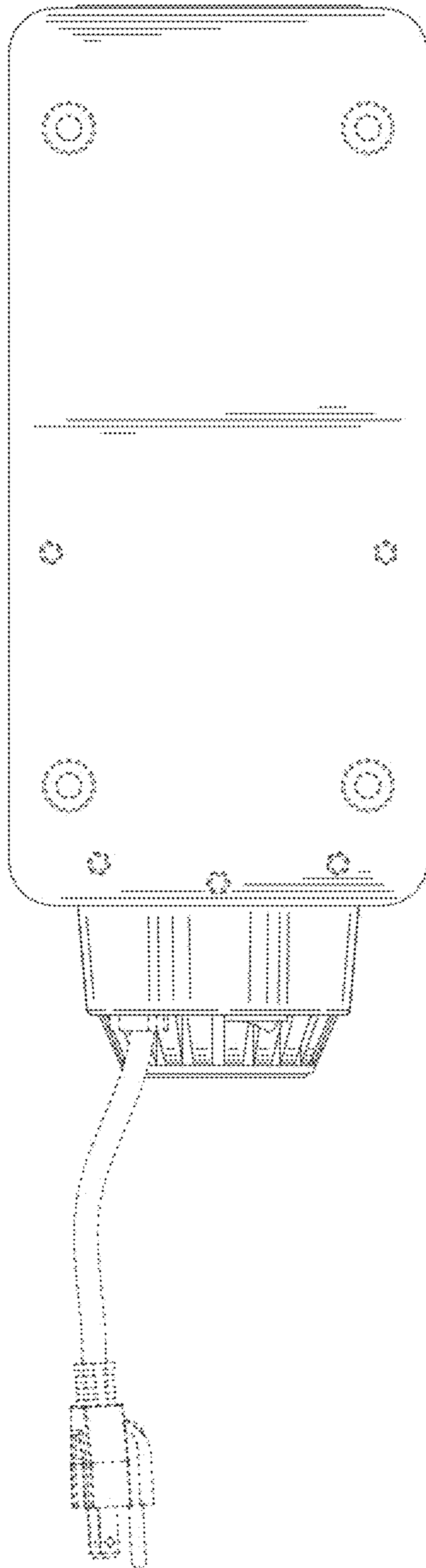


FIG. 8