



US00D963007S

(12) **United States Design Patent**  
**Choi et al.**

(10) **Patent No.:** **US D963,007 S**  
(45) **Date of Patent:** **\*\* Sep. 6, 2022**

(54) **PANEL FOR REFRIGERATOR**

(71) Applicant: **LG ELECTRONICS INC.**, Seoul (KR)

(72) Inventors: **Kyukwan Choi**, Seoul (KR); **Sanghun Kim**, Seoul (KR); **Sangwoog Cho**, Seoul (KR); **Wonsang Choi**, Seoul (KR); **Seungjin Yoon**, Seoul (KR); **Sungkyong Han**, Seoul (KR)

(73) Assignee: **LG ELECTRONICS INC.**, Seoul (KR)

(\*\*) Term: **15 Years**

(21) Appl. No.: **29/774,515**

(22) Filed: **Mar. 17, 2021**

(30) **Foreign Application Priority Data**

Sep. 18, 2020 (KR) ..... 30-2020-0044972

(51) **LOC (13) Cl.** ..... **15-07**

(52) **U.S. Cl.**  
USPC ..... **D15/89**; D15/91

(58) **Field of Classification Search**  
USPC ..... D15/79, 81, 84, 85-88, 89, 91; D23/2, 3  
(Continued)

(56) **References Cited**

**U.S. PATENT DOCUMENTS**

4,732,431 A \* 3/1988 Mason ..... E06B 5/006  
312/109  
8,388,074 B1 \* 3/2013 Donberger ..... A47B 77/08  
312/405

(Continued)

**OTHER PUBLICATIONS**

Samsung, "How to replace BESPOKE refrigerator door panel", (site visited Feb. 2, 2022), Samsung.com website, :URL:<https://www.

samsung.com/latin\_en/support/home-appliances/how-to-replace-bespoke-refrigerator-door-panel/> (Year: 2022).\*

*Primary Examiner* — Calvin E Vansant

*Assistant Examiner* — Mark T. Philipps

(74) *Attorney, Agent, or Firm* — Birch, Stewart, Kolasch & Birch, LLP

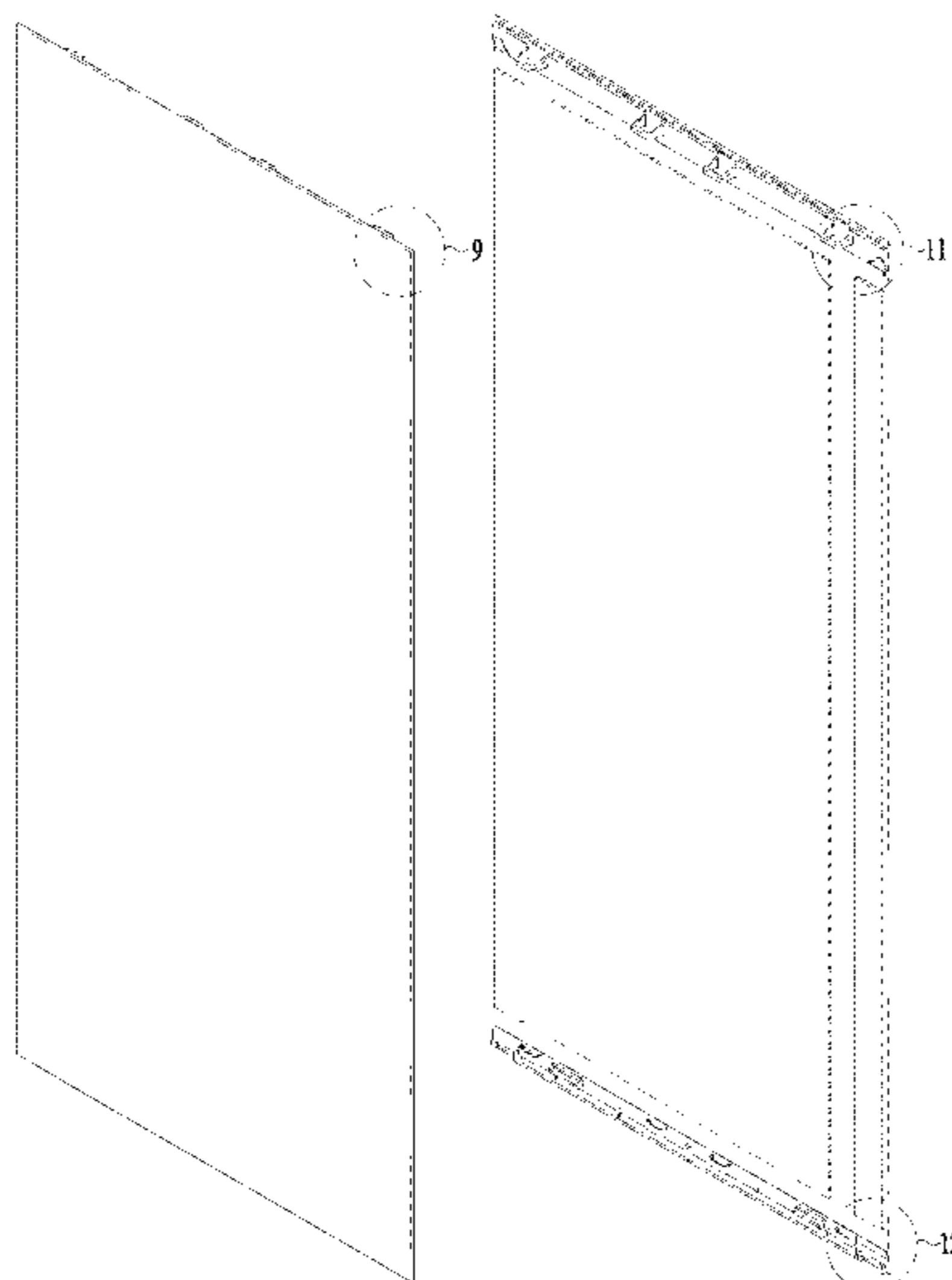
(57) **CLAIM**

The ornamental design for a panel for refrigerator, as shown and described.

**DESCRIPTION**

FIG. 1 is a front perspective view of the panel for refrigerator showing our new design;  
FIG. 2 is a front view thereof;  
FIG. 3 is a back view thereof;  
FIG. 4 is a left side view thereof;  
FIG. 5 is a right side view thereof;  
FIG. 6 is a top plan view thereof;  
FIG. 7 is a bottom plan view thereof;  
FIG. 8 is a back perspective view thereof;  
FIG. 9 is a partial enlarged view of the region 9 taken from FIG. 1;  
FIG. 10 is a partial enlarged view of the region 10 taken from FIG. 6;  
FIG. 11 is a partial enlarged view of the region 11 taken from FIG. 8;  
FIG. 12 is a partial enlarged view of the region 12 taken from FIG. 8; and,  
FIG. 13 is a perspective view showing the design in a state of use with the front panel removed for clarity.  
The broken lines depict portions of the Panel for refrigerator that form no part of the claimed design. The long dash-short dash-long dash broken lines depict the boundary of the enlarged view on FIG. 9, taken from FIG. 1, FIG. 10 taken from FIG. 6, and FIGS. 11 and 12, taken from FIG. 8, forming no part of the claimed design. The portions of FIG. 13 drawn in broken lines show environmental structure only and form no part of the claimed design.

**1 Claim, 13 Drawing Sheets**



(58) **Field of Classification Search**

CPC ..... F25D 2323/021; F25D 2323/024; F25D  
29/00; F25D 27/005; F25D 29/005; F25D  
17/042; F25D 2325/021; F25D 11/00;  
F25D 11/02; F25D 11/025; F25D 23/00;  
F25D 23/02; F25D 23/04; F25D 23/12;  
F25D 23/028; F25D 25/02; F25D 25/021;  
F25D 25/022; F25D 25/024; F25D  
25/025

See application file for complete search history.

(56) **References Cited**

U.S. PATENT DOCUMENTS

D921,712 S \* 6/2021 Lee ..... D15/86  
D921,713 S \* 6/2021 Lee ..... D15/86  
D921,714 S \* 6/2021 Yoon ..... D15/86  
D933,110 S \* 10/2021 Lee ..... D15/86  
2010/0287974 A1\* 11/2010 Cur ..... F25D 23/06  
29/890.035  
2018/0172337 A1\* 6/2018 Choi ..... F25D 23/02  
2018/0184879 A1\* 7/2018 Gwag ..... A47L 15/4265

\* cited by examiner

FIG. 1

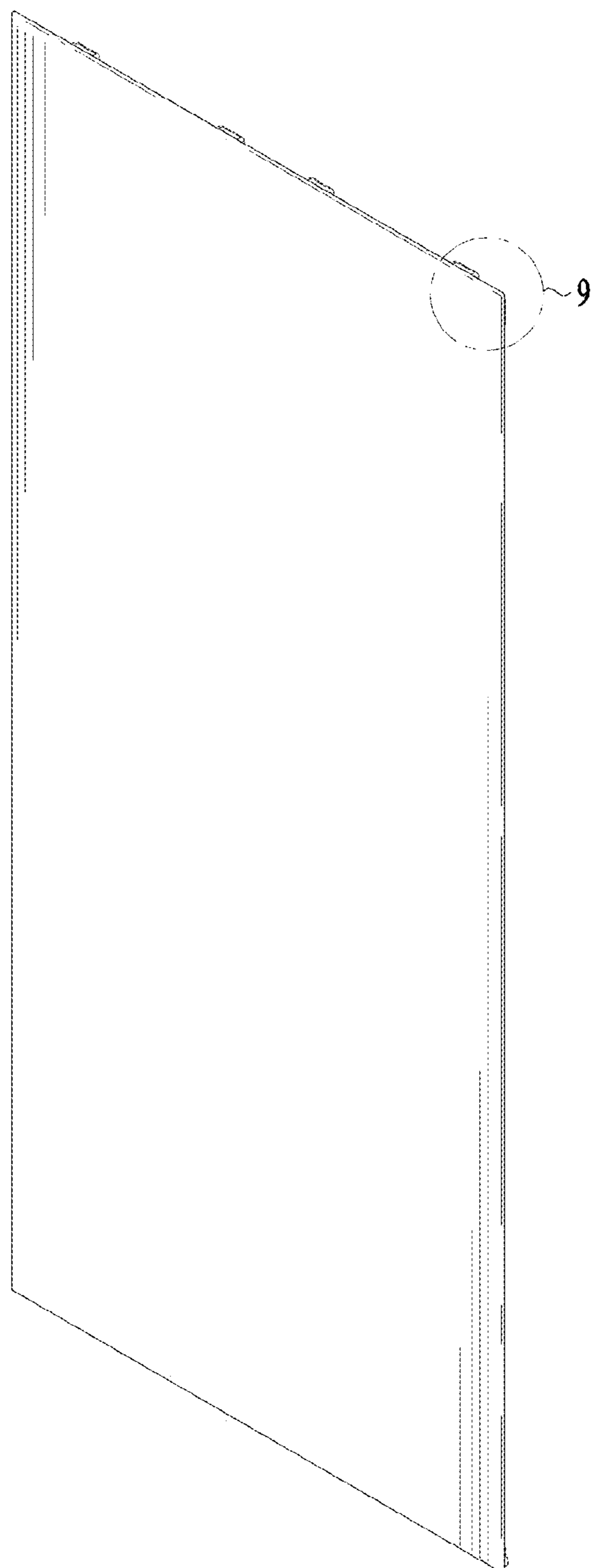


FIG. 2

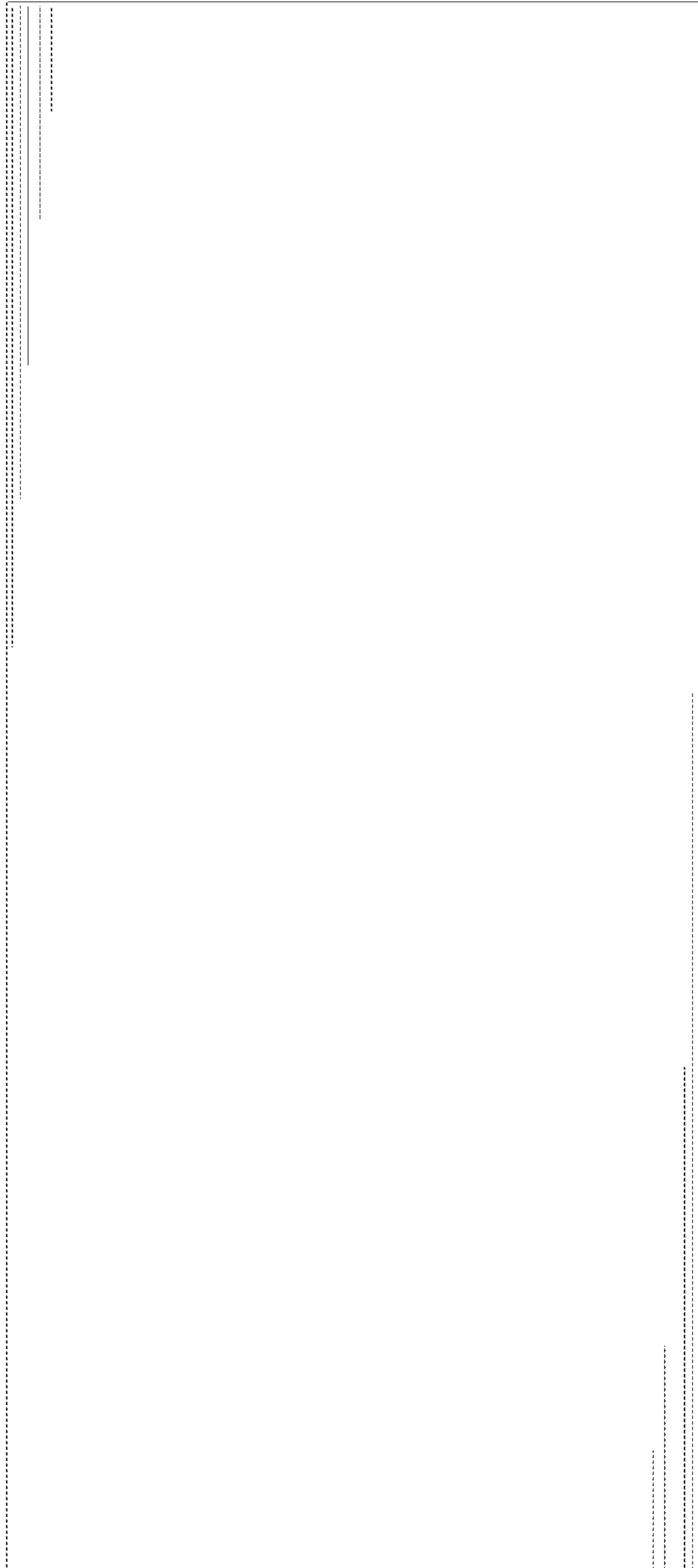


FIG. 3

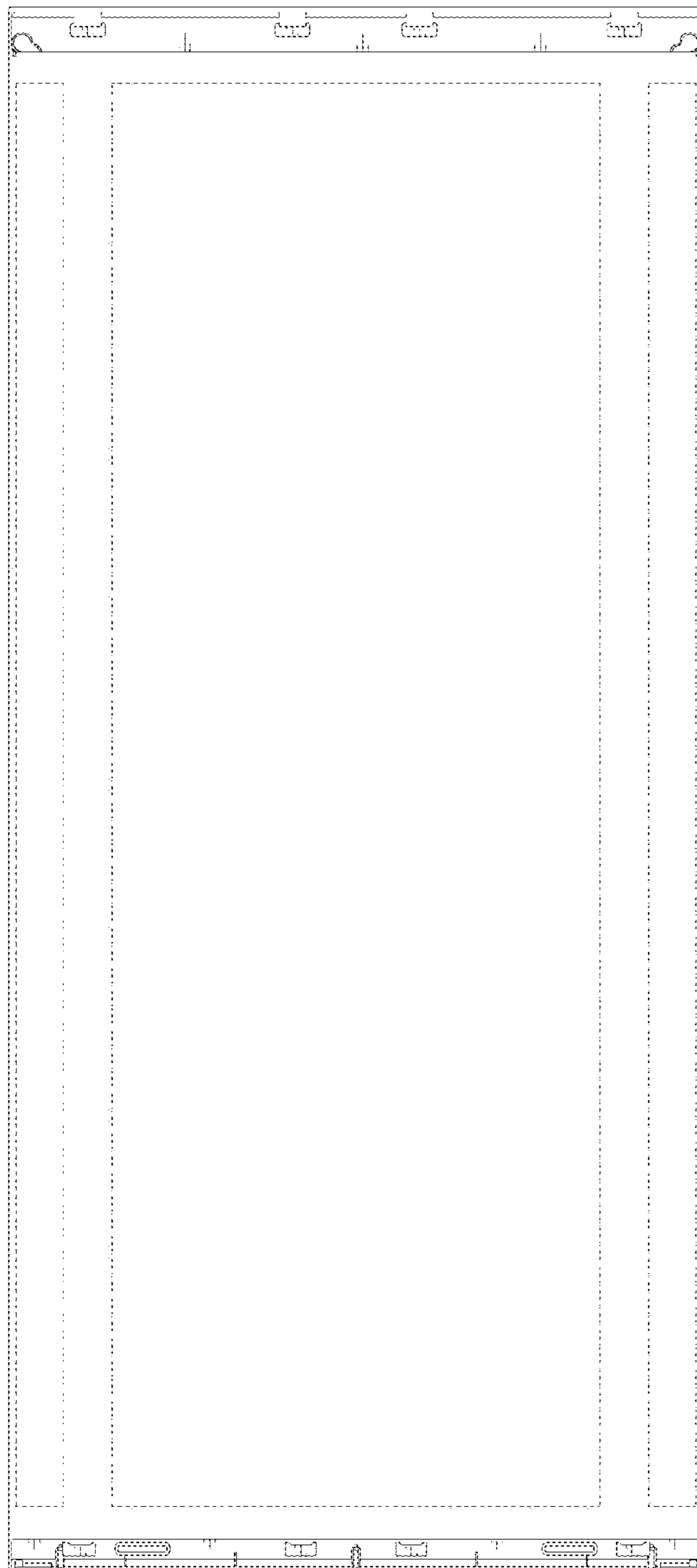


FIG. 4

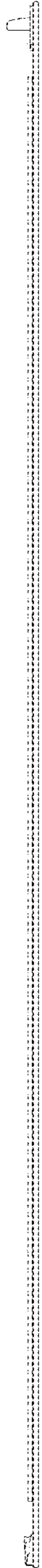


FIG. 5

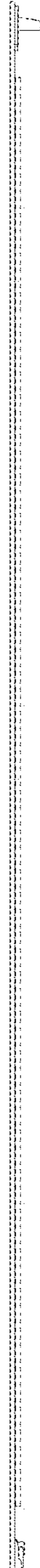


FIG. 6

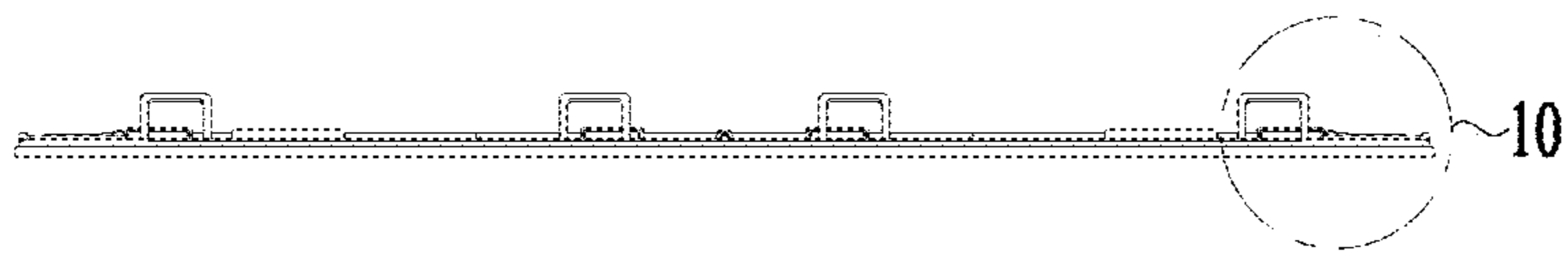




FIG. 7



FIG. 8

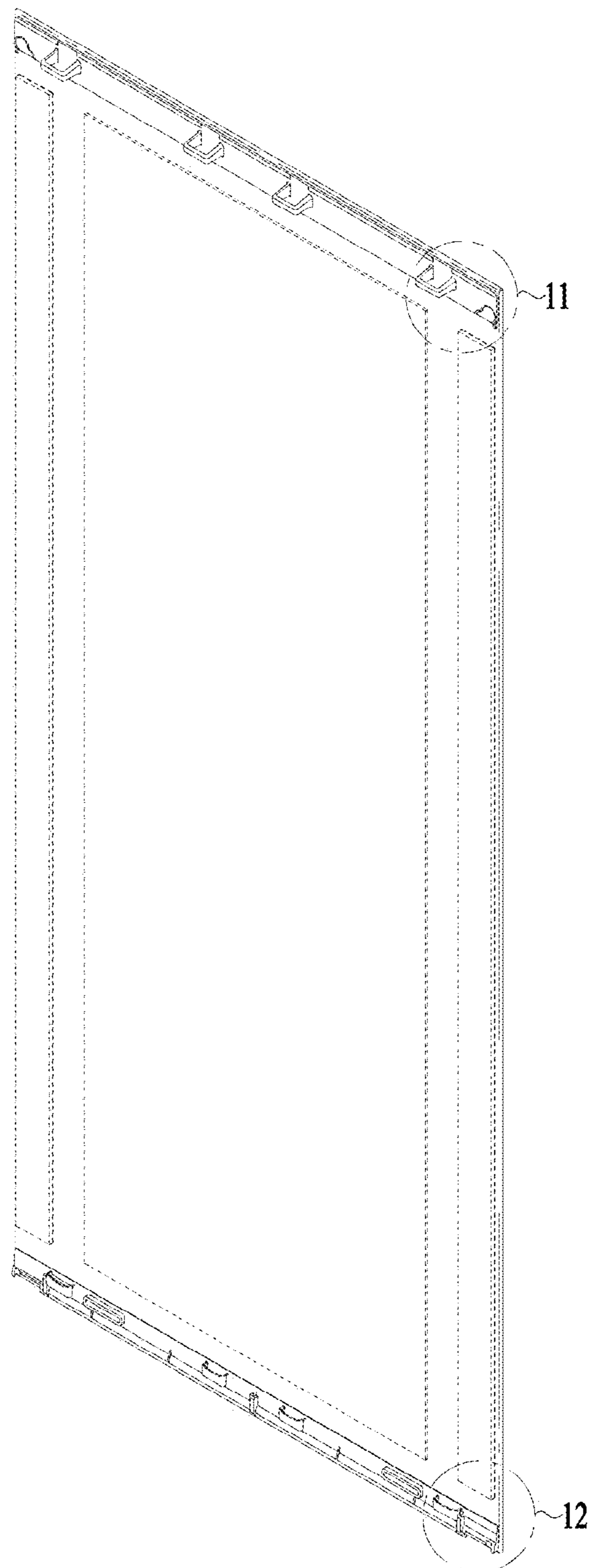


FIG. 9

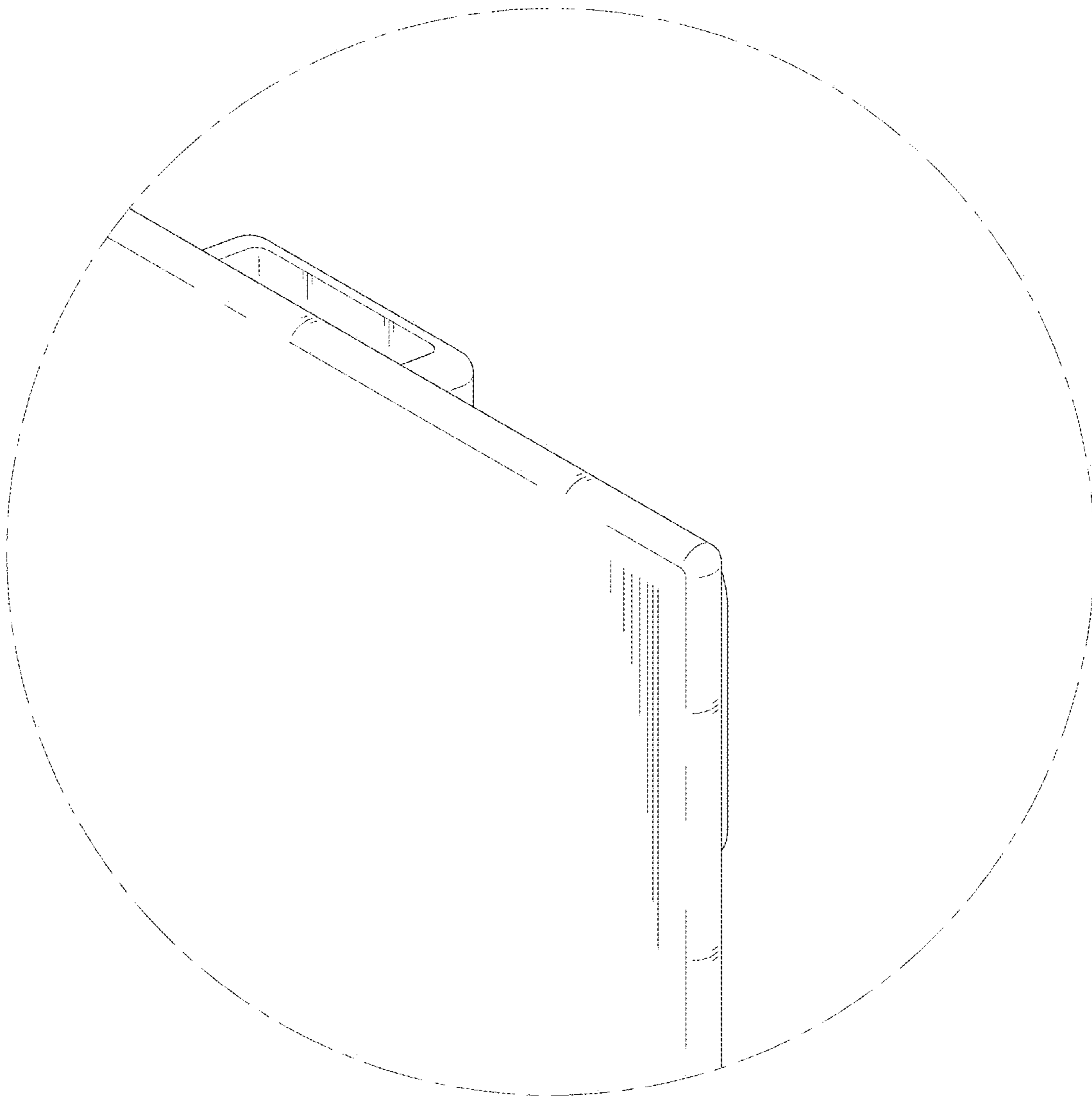


FIG. 10

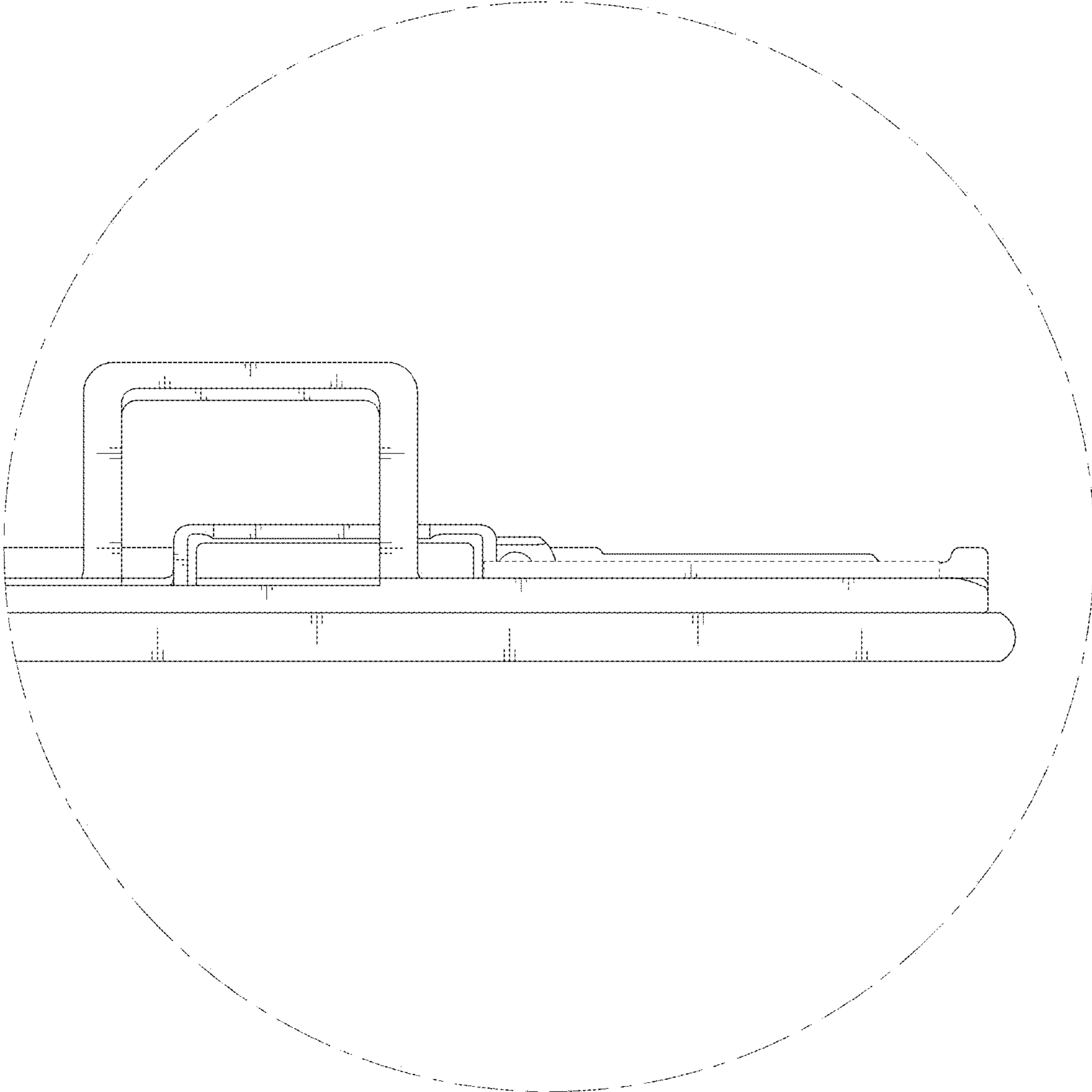


FIG. 11

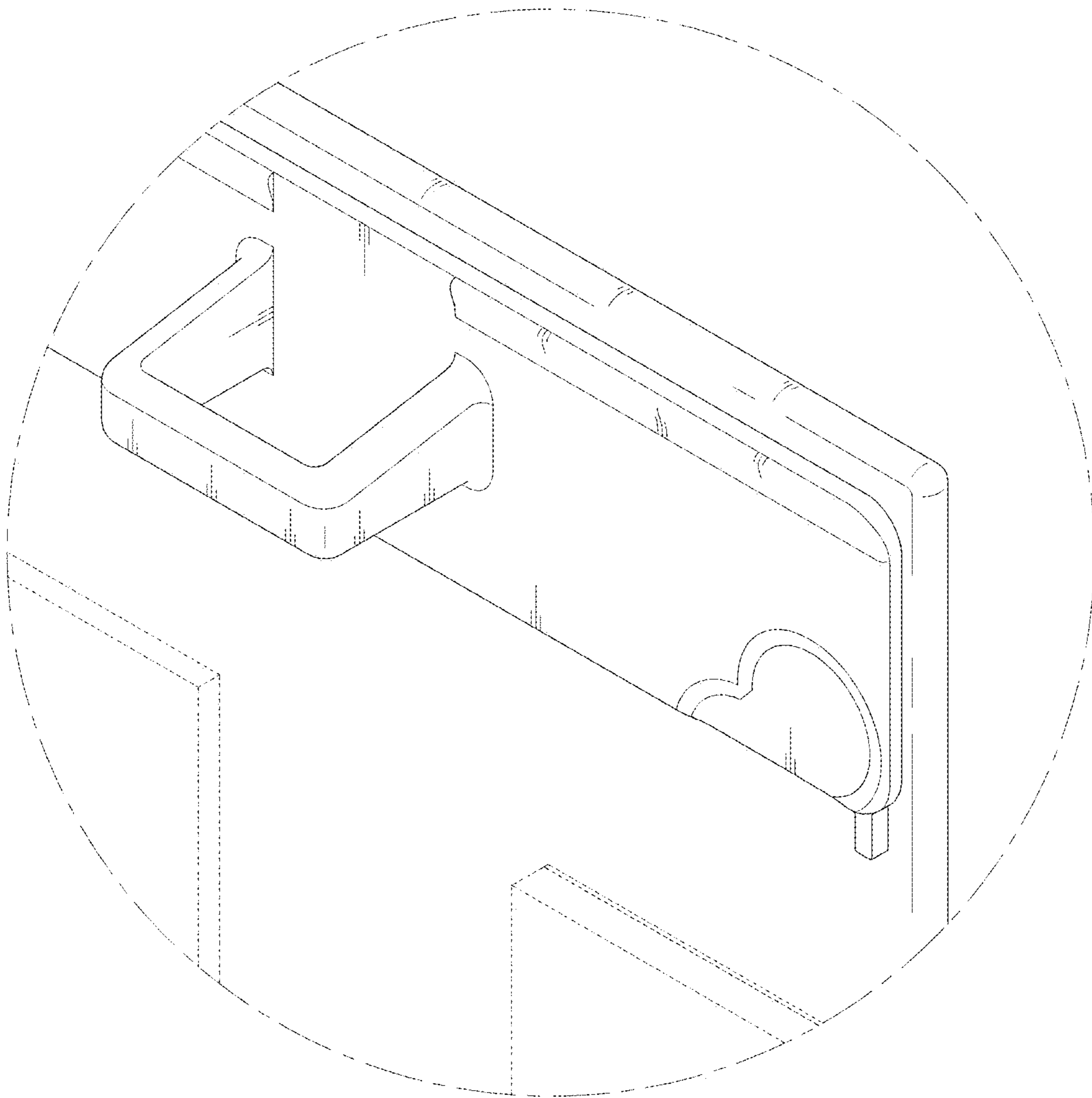


FIG. 12

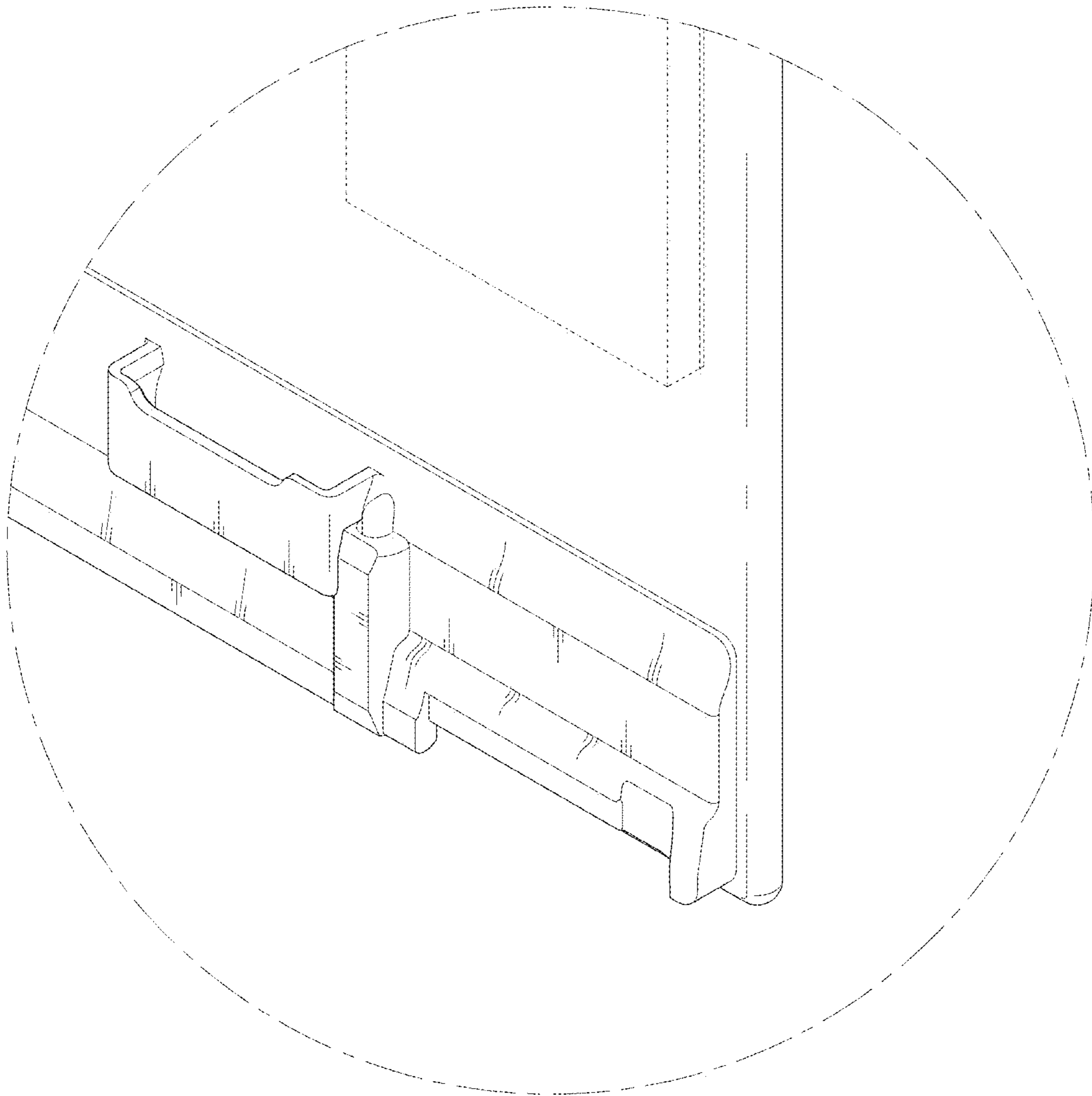


FIG. 13

