



US00D963005S

(12) **United States Design Patent** (10) **Patent No.:** **US D963,005 S**
Liang (45) **Date of Patent:** **** Sep. 6, 2022**

(54) **CAR REFRIGERATOR**

(71) Applicant: **Yanyu Liang**, Guangdong (CN)

(72) Inventor: **Yanyu Liang**, Guangdong (CN)

(**) Term: **15 Years**

(21) Appl. No.: **29/800,284**

(22) Filed: **Jul. 20, 2021**

(51) **LOC (13) Cl.** **15-07**

(52) **U.S. Cl.**
USPC **D15/81**

(58) **Field of Classification Search**
USPC D15/79-91; D7/347; D24/163, 217,
D24/232, 231
CPC F25D 2323/021; F25D 2323/024; F25D
29/00; F25D 27/005; F25D 29/005; F25D
17/042; F25D 2325/021; F25D 11/00;
F25D 11/02; F25D 11/025; F25D 23/00;
F25D 23/02; F25D 23/04; F25D 23/12;
F25D 23/028; F25D 25/02; F25D 25/021;
F25D 25/022; F25D 25/024; F25D
25/025

See application file for complete search history.

(56) **References Cited**

U.S. PATENT DOCUMENTS

D154,186 S *	6/1949	Sandin	D15/88
2,612,659 A *	10/1952	O'Connor	E05D 15/1068
				49/495.1
D173,765 S *	12/1954	Reynolds	D15/88
D380,505 S *	7/1997	Yang	D21/524
D465,133 S *	11/2002	Ben-Moshe	D7/605
D474,375 S *	5/2003	Fromm	D7/606
D568,909 S *	5/2008	Santiago	D15/81
D618,257 S *	6/2010	Hanamure	D15/79
D744,011 S *	11/2015	Reaux	D15/79
D776,171 S *	1/2017	Wang	D15/88
D800,799 S *	10/2017	Feng	D15/81
D802,029 S *	11/2017	Li	D15/81

D803,903 S *	11/2017	Wang	D15/88
D826,996 S *	8/2018	Feng	D15/91
D847,874 S *	5/2019	Kim	D15/81
D852,853 S *	7/2019	Kim	D15/81
D853,454 S *	7/2019	Kim	D15/81
D855,667 S	8/2019	Shu et al.		
D867,407 S *	11/2019	Wang	D15/79
D875,793 S *	2/2020	Bradley	D15/91

(Continued)

OTHER PUBLICATIONS

Frigidaire, EFR372-Mint 3.2 Cu Ft Red Retro Compact Rounded Corner Premium Mini Fridge, (first available Mar. 14, 2019), Amazon.com, URL:<<https://www.amazon.com/FRIGIDAIRE-EFR372-MINT-Compact-Rounded-Premium/dp/B089N5HR5L>> (Year: 2019).*

(Continued)

Primary Examiner — Calvin E Vansant
Assistant Examiner — Mark T. Philipps
(74) *Attorney, Agent, or Firm* — ScienBiziP, P.C.

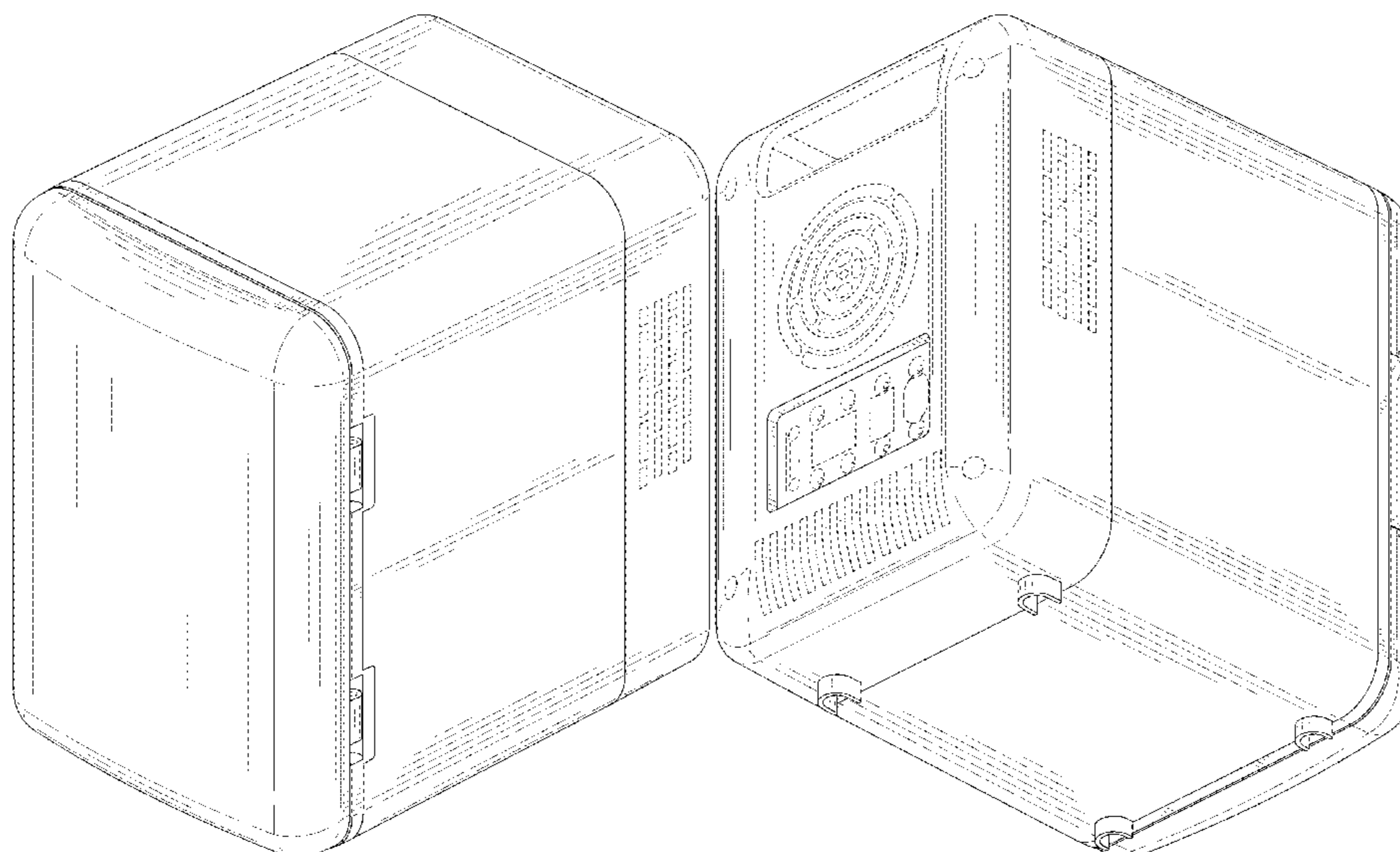
(57) **CLAIM**

The ornamental design for a car refrigerator, as shown and described.

DESCRIPTION

FIG. 1 is a front, right, and top perspective view of a car refrigerator, showing my design.
FIG. 2 is a rear, left, and bottom perspective view thereof.
FIG. 3 is a front elevation view thereof.
FIG. 4 is a rear elevation view thereof.
FIG. 5 is a left side elevation view thereof.
FIG. 6 is a right side elevation view thereof.
FIG. 7 is a top plan view thereof; and,
FIG. 8 is a bottom plan view thereof.
The broken lines shown in the drawings are included for the purpose of illustrating portions of the car refrigerator that form no part of the claimed design.

1 Claim, 8 Drawing Sheets



(56)

References Cited

U.S. PATENT DOCUMENTS

D880,540	S	*	4/2020	Xie	D15/83
D886,163	S	*	6/2020	Yao	D15/81
D888,109	S	*	6/2020	Kim	D15/79
D896,856	S	*	9/2020	Zhou	D15/81
D898,083	S	*	10/2020	Yao	D15/79
D909,431	S	*	2/2021	Kim	D15/79
D919,678	S	*	5/2021	Yang	D15/81
D922,454	S	*	6/2021	Tang	D15/79
D927,562	S	*	8/2021	Kong	D15/81
D930,716	S	*	9/2021	Huang	D15/81
D933,600	S	*	10/2021	Wang	D24/217
D937,328	S	*	11/2021	Tang	D15/79
D937,910	S	*	12/2021	Huang	D15/81
D940,209	S	*	1/2022	Kong	D15/81

OTHER PUBLICATIONS

Auto Guide, The Best Car Coolers and Portable Refrigerators for Your Next Road Trip, (Jan. 19, 2022), Autoguide.com, URL:<<https://www.autoguide.com/best-car-coolers-portable-refrigerators>> (Year: 2022).*

SFGate, “Add a retro flair to your dorm, office or kitchen with this \$25 mini fridge”, (Nov. 22, 2021), SFGate.com, URL:<<https://www.sfgate.com/shopping/article/Walmart-Frigidaire-mini-fridge-sale-black-friday-16635579.php>> (Year: 2021).*

Cooluli Store, Cooluli 10L Mini Fridge for Bedroom—Car, Office Desk & College Dorm Room, (first available Sep. 23, 2019), Amazon.com, URL:<<https://www.amazon.com/dp/B07Y8TT7N5>> (Year: 2019).*

* cited by examiner

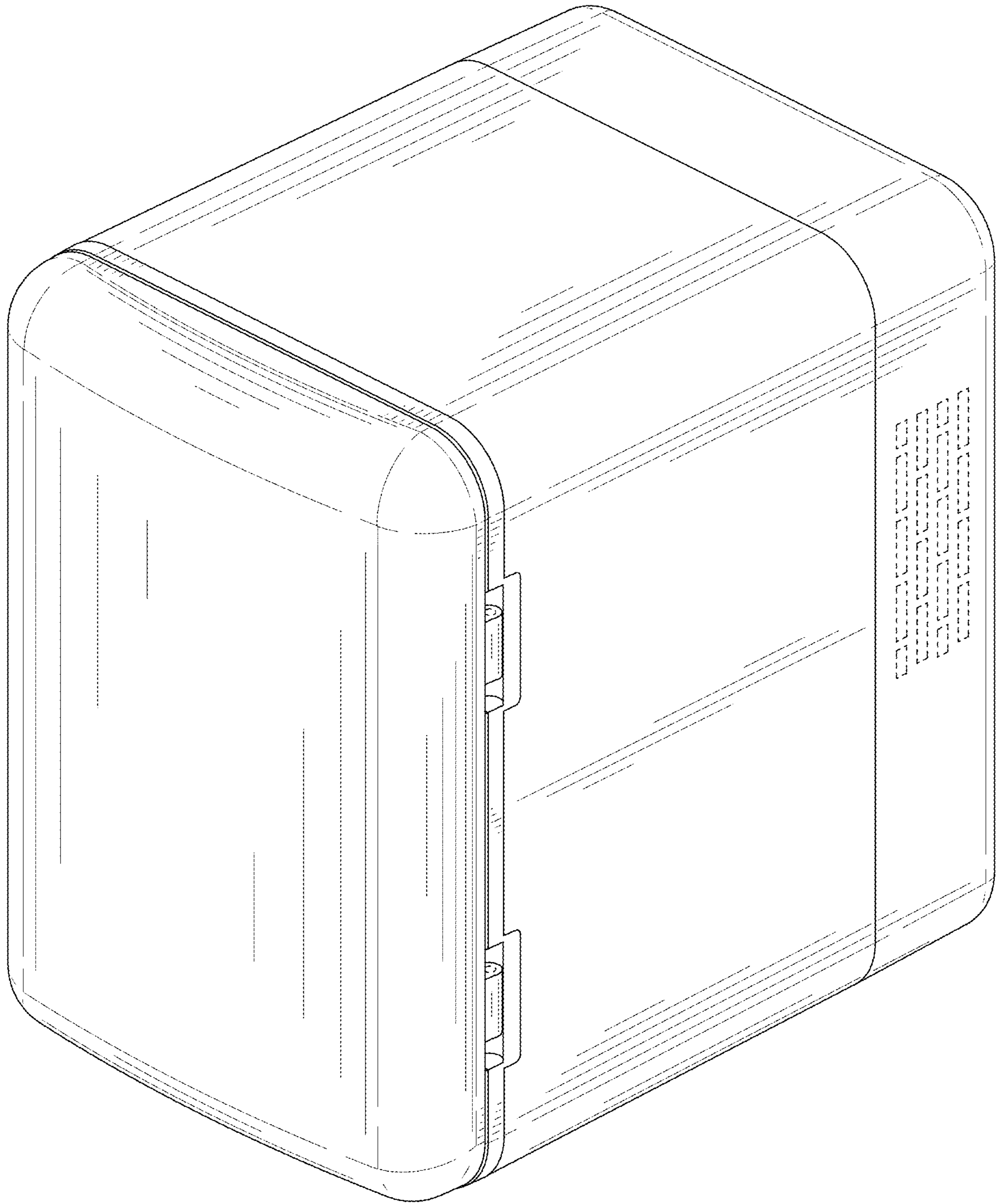


FIG. 1

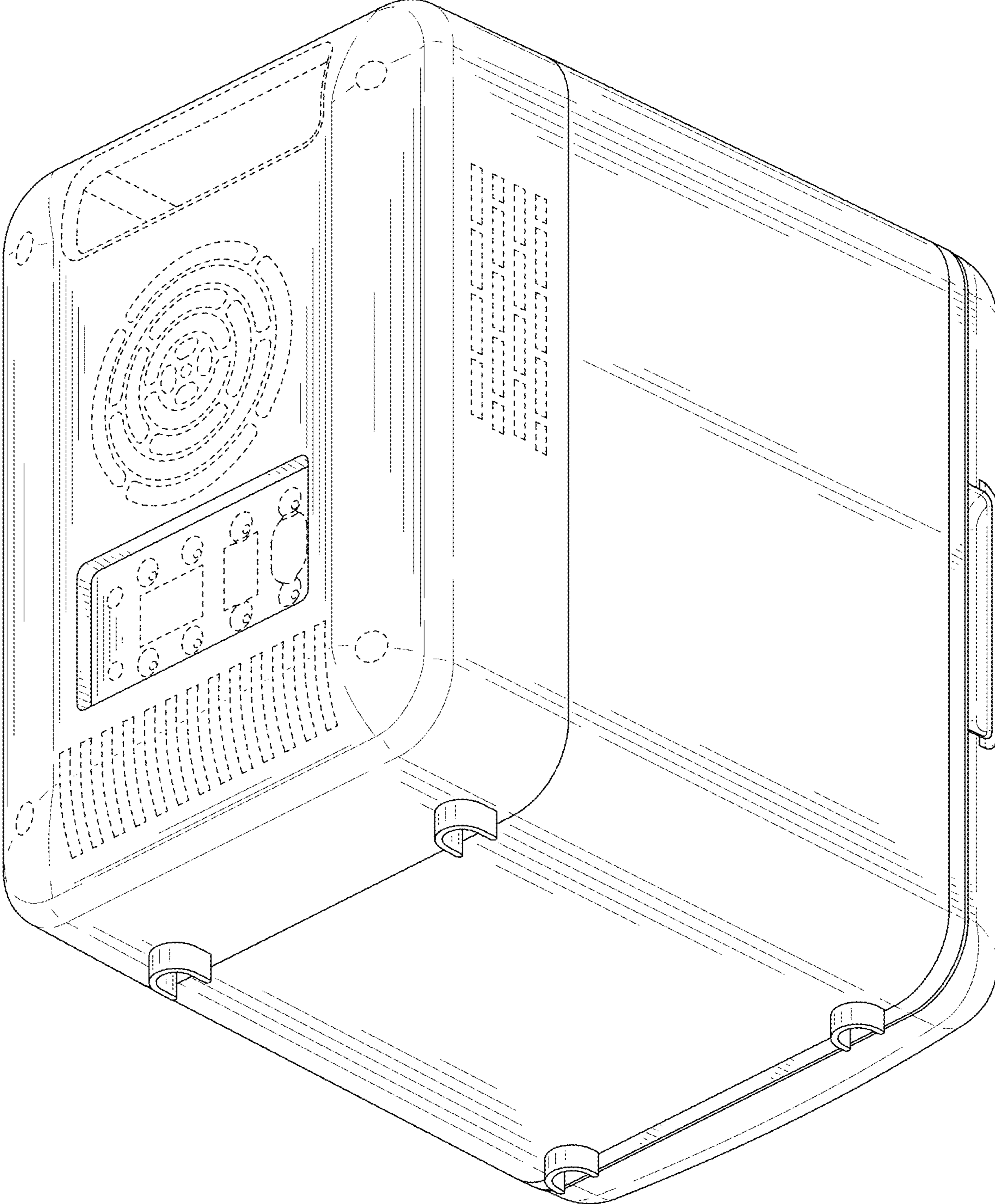


FIG. 2

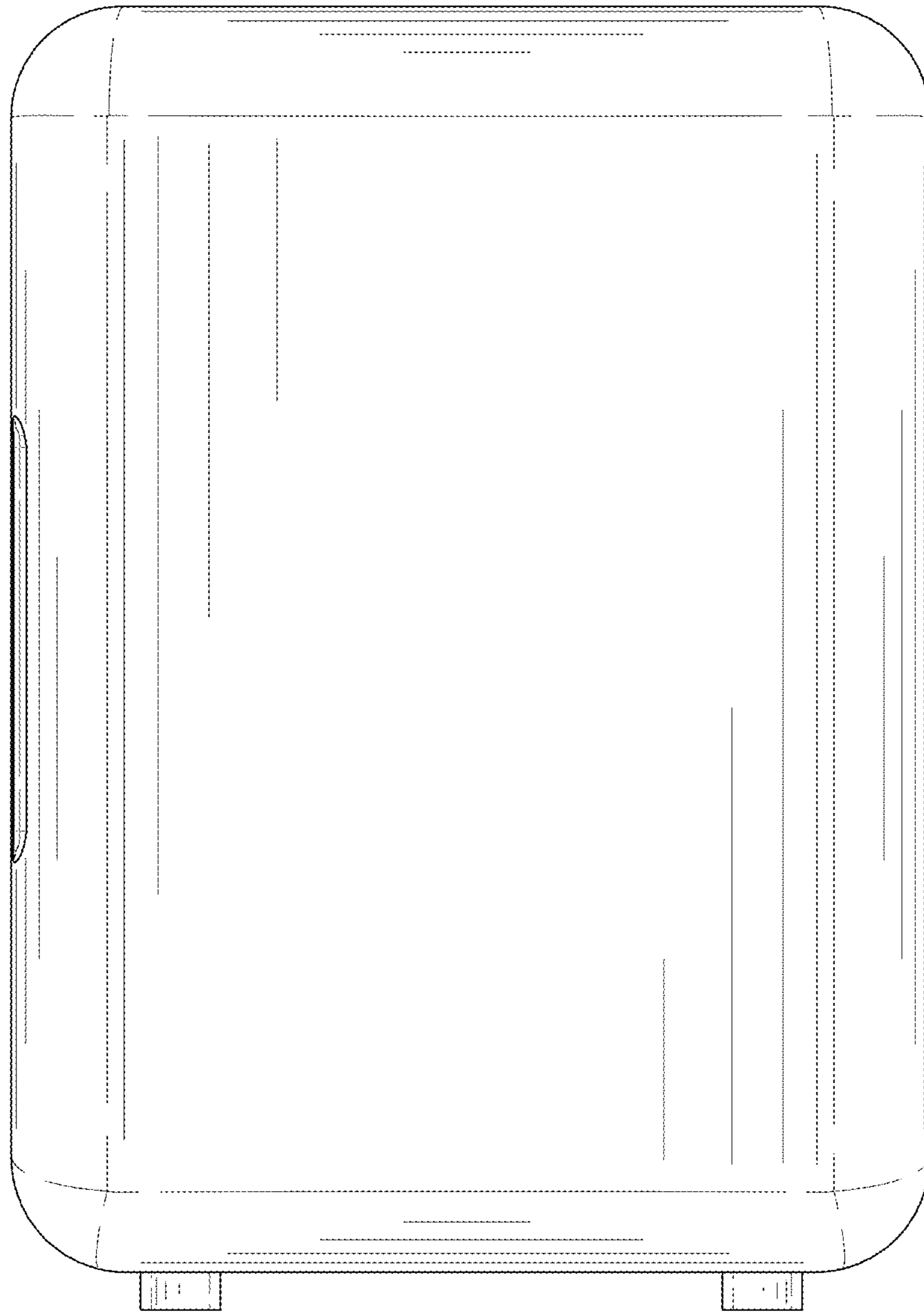


FIG. 3

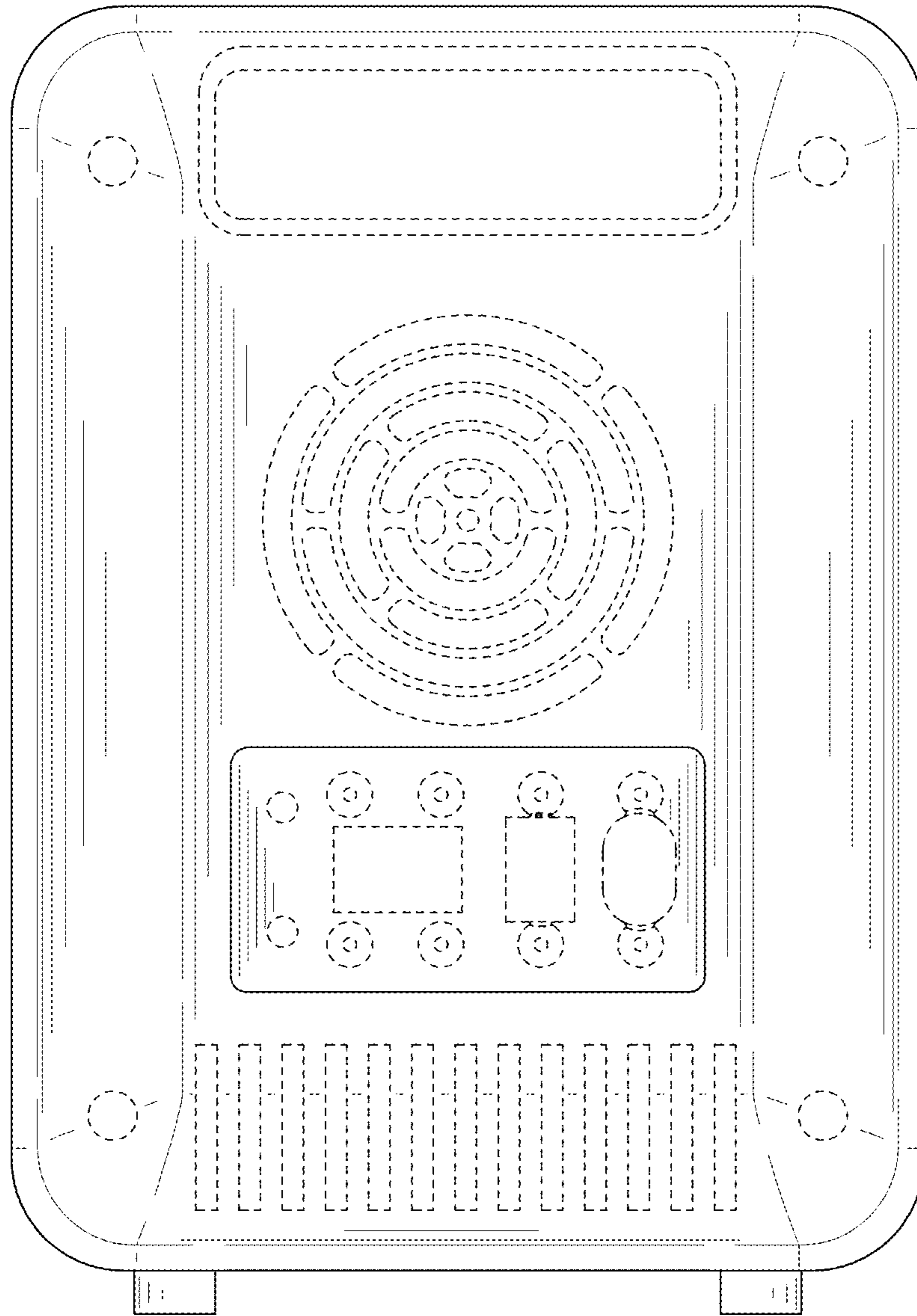


FIG. 4

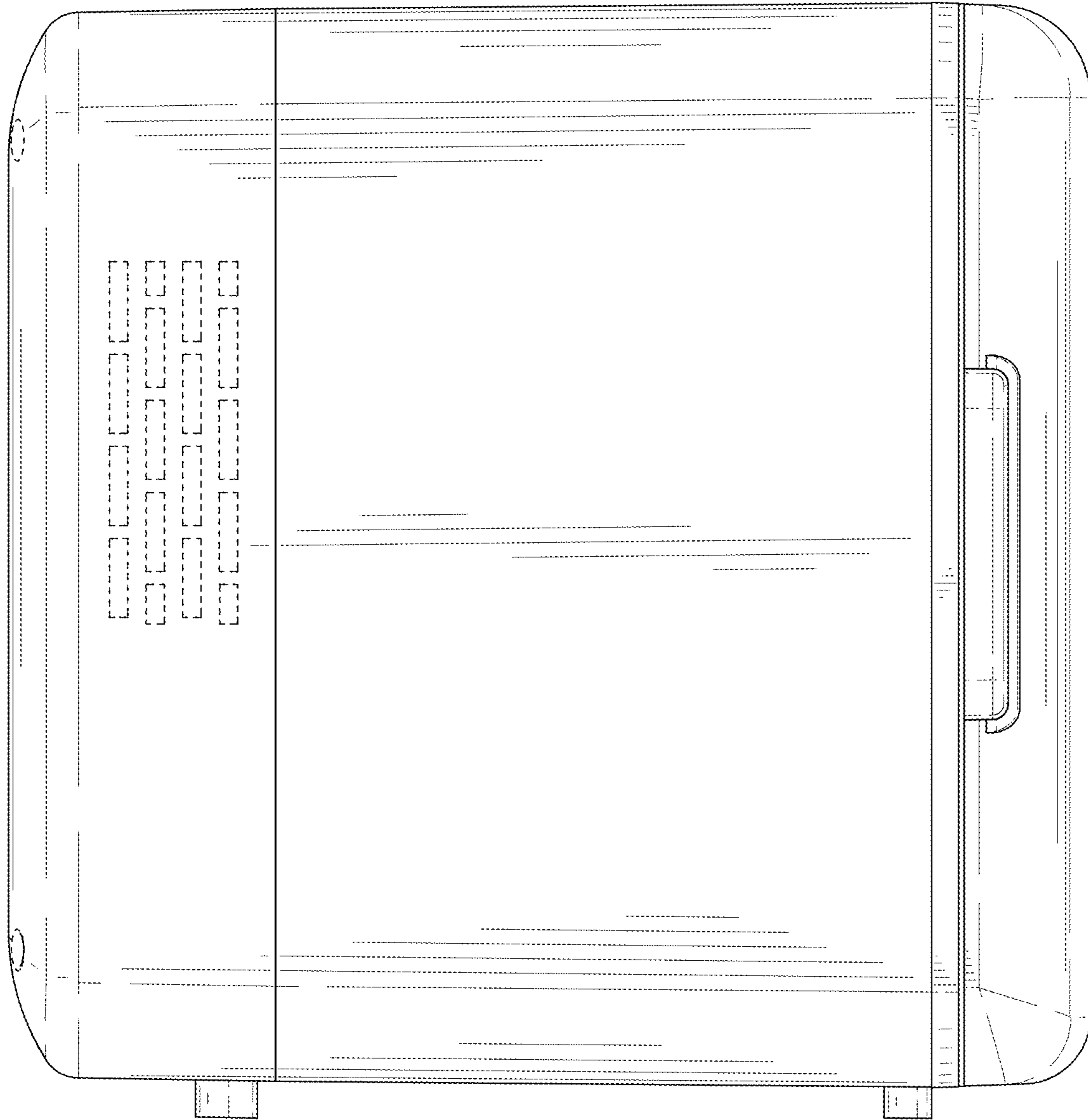


FIG. 5

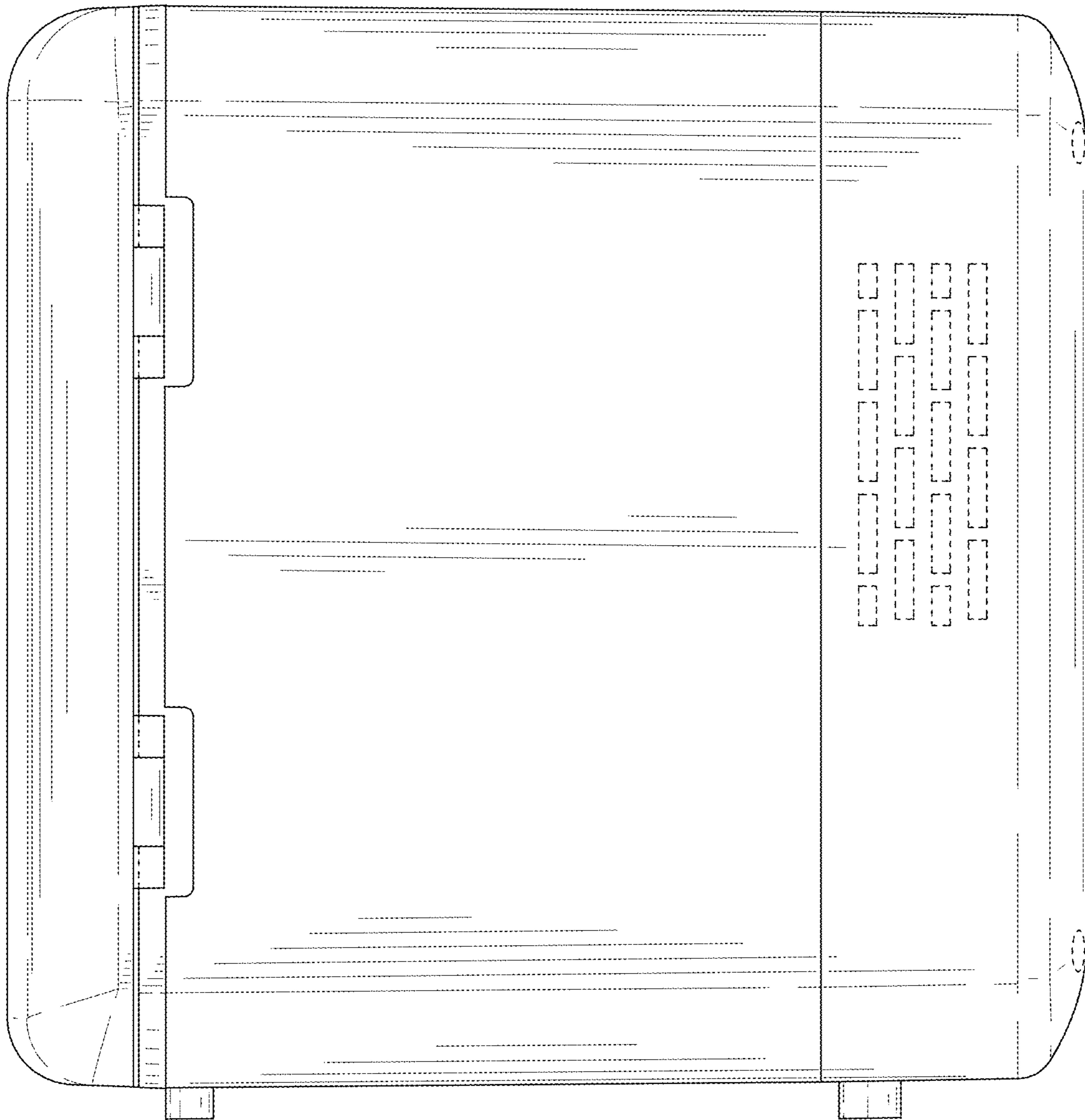


FIG. 6

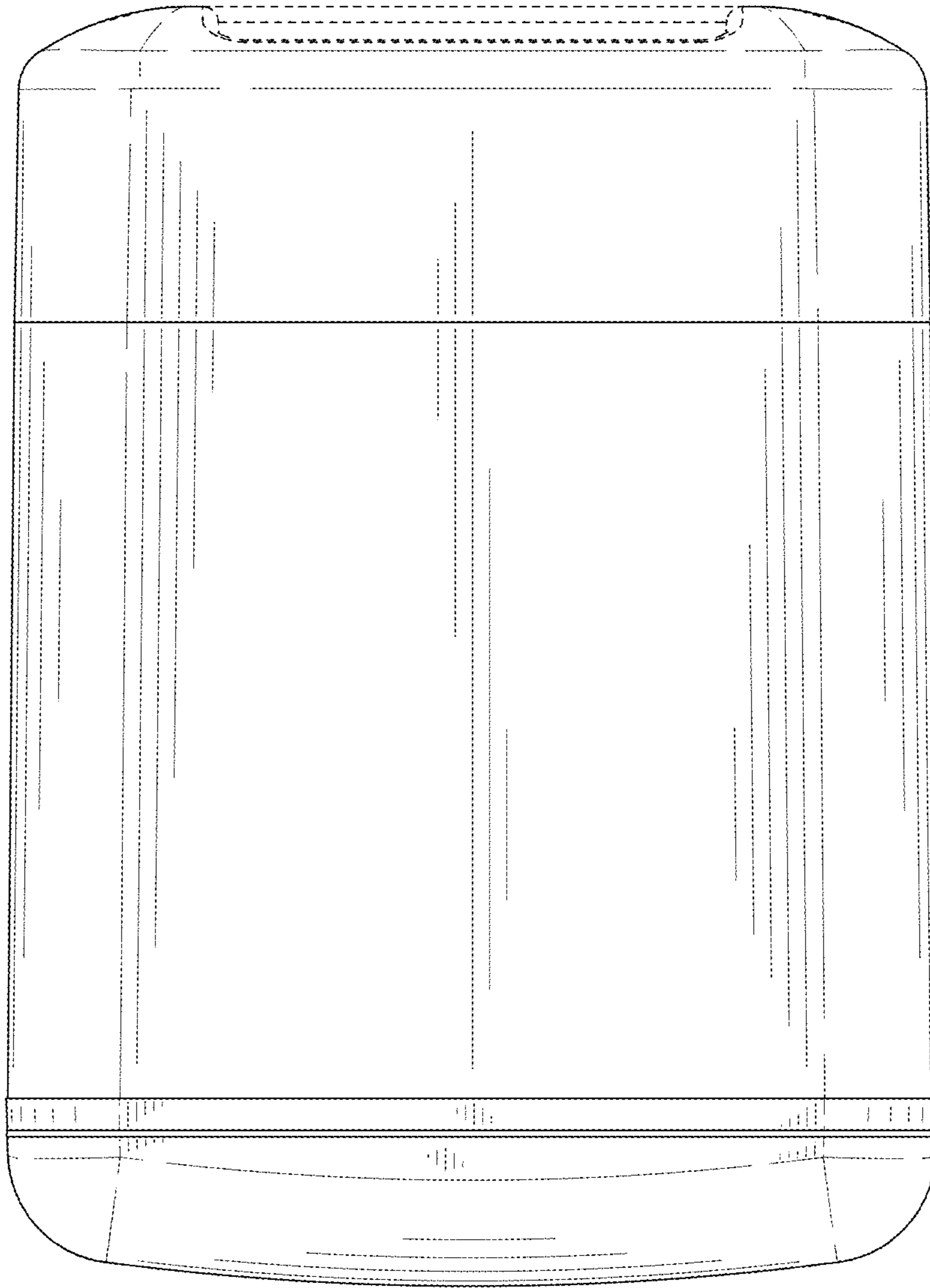


FIG. 7

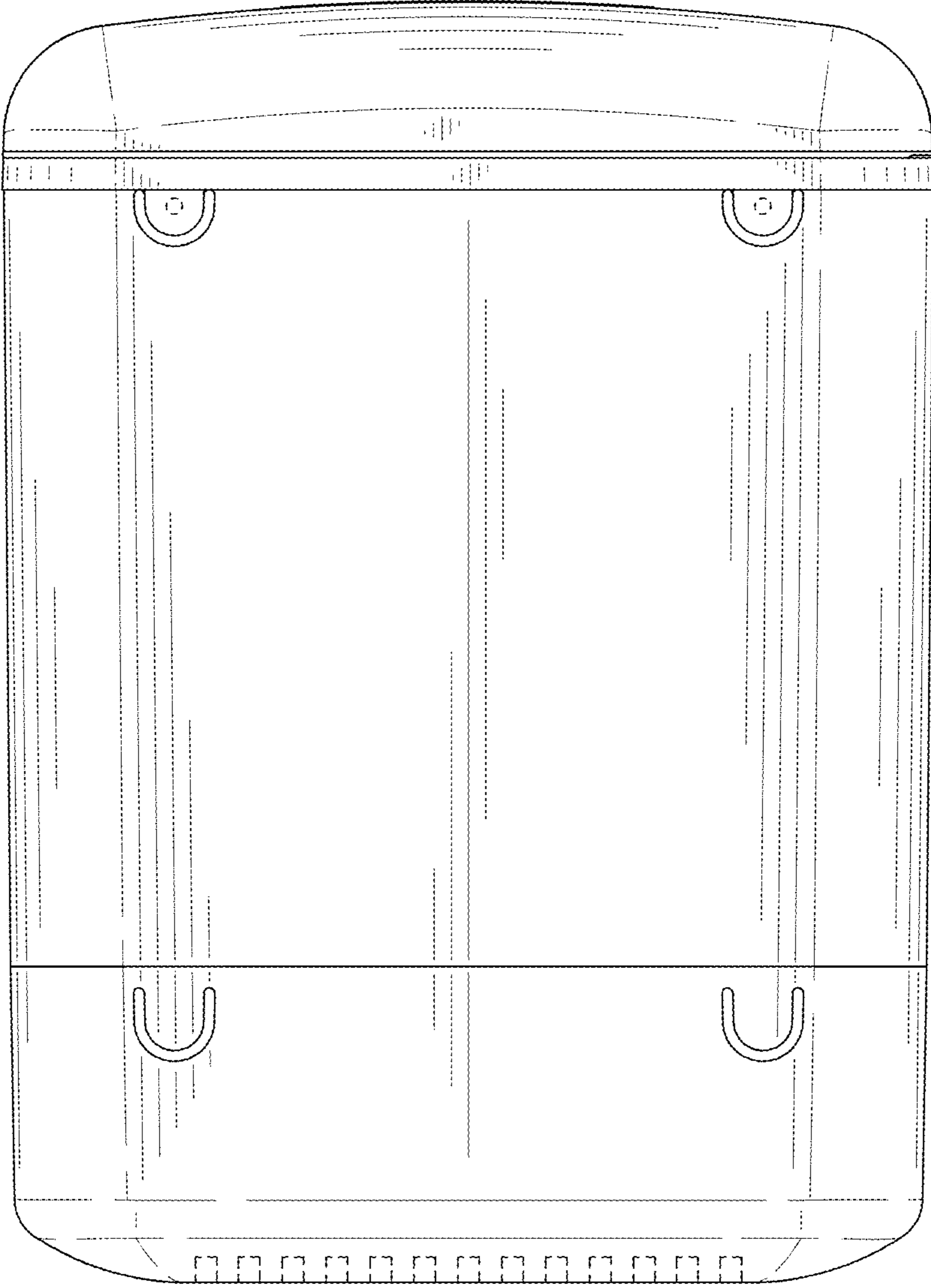


FIG. 8