



US00D963004S

(12) **United States Design Patent** (10) **Patent No.:** **US D963,004 S**  
**Liang** (45) **Date of Patent:** **\*\* Sep. 6, 2022**

(54) **CAR REFRIGERATOR**  
(71) Applicant: **Yanyu Liang**, Guangdong (CN)  
(72) Inventor: **Yanyu Liang**, Guangdong (CN)  
(\*\*) Term: **15 Years**

D803,903 S \* 11/2017 Wang ..... D15/88  
D826,996 S \* 8/2018 Feng ..... D15/91  
D847,874 S \* 5/2019 Kim ..... D15/81  
D852,853 S \* 7/2019 Kim ..... D15/81  
D853,454 S \* 7/2019 Kim ..... D15/81  
D855,667 S 8/2019 Shu et al.  
D867,407 S \* 11/2019 Wang ..... D15/79  
D875,793 S \* 2/2020 Bradley ..... D15/91

(Continued)

(21) Appl. No.: **29/800,283**  
(22) Filed: **Jul. 20, 2021**  
(51) **LOC (13) Cl.** ..... **15-07**  
(52) **U.S. Cl.**  
USPC ..... **D15/81**  
(58) **Field of Classification Search**  
USPC ..... D15/79-91; D7/347; D24/163, 217,  
D24/232, 231  
CPC ..... F25D 2323/021; F25D 2323/024; F25D  
29/00; F25D 27/005; F25D 29/005; F25D  
17/042; F25D 2325/021; F25D 11/00;  
F25D 11/02; F25D 11/025; F25D 23/00;  
F25D 23/02; F25D 23/04; F25D 23/12;  
F25D 23/028; F25D 25/02; F25D 25/021;  
F25D 25/022; F25D 25/024; F25D  
25/025

See application file for complete search history.

(56) **References Cited**

**U.S. PATENT DOCUMENTS**

D154,186 S \* 6/1949 Sandin ..... D15/88  
2,612,659 A \* 10/1952 O'Connor ..... E05D 15/1068  
49/495.1  
D173,765 S \* 12/1954 Reynolds ..... D15/88  
D380,505 S \* 7/1997 Yang ..... D21/524  
D465,133 S \* 11/2002 Ben-Moshe ..... D7/605  
D474,375 S \* 5/2003 Fromm ..... D7/606  
D568,909 S \* 5/2008 Santiago ..... D15/81  
D618,257 S \* 6/2010 Hanamure ..... D15/79  
D744,011 S \* 11/2015 Reaux ..... D15/79  
D776,171 S \* 1/2017 Wang ..... D15/88  
D800,799 S \* 10/2017 Feng ..... D15/81  
D802,029 S \* 11/2017 Li ..... D15/81

**OTHER PUBLICATIONS**

Frigidaire, EFR372-MINT 3.2 Cu Ft Red Retro Compact Rounded Corner Premium Mini Fridge, (first available Mar. 14, 2019), Amazon.com, URL:<<https://www.amazon.com/FRIGIDAIRE-EFR372-MINT-Compact-Rounded-Premium/dp/B089N5HR5L>> (Year: 2019).\*

(Continued)

*Primary Examiner* — Calvin E Vansant  
*Assistant Examiner* — Mark T. Philipps  
(74) *Attorney, Agent, or Firm* — ScienBiziP, P.C.

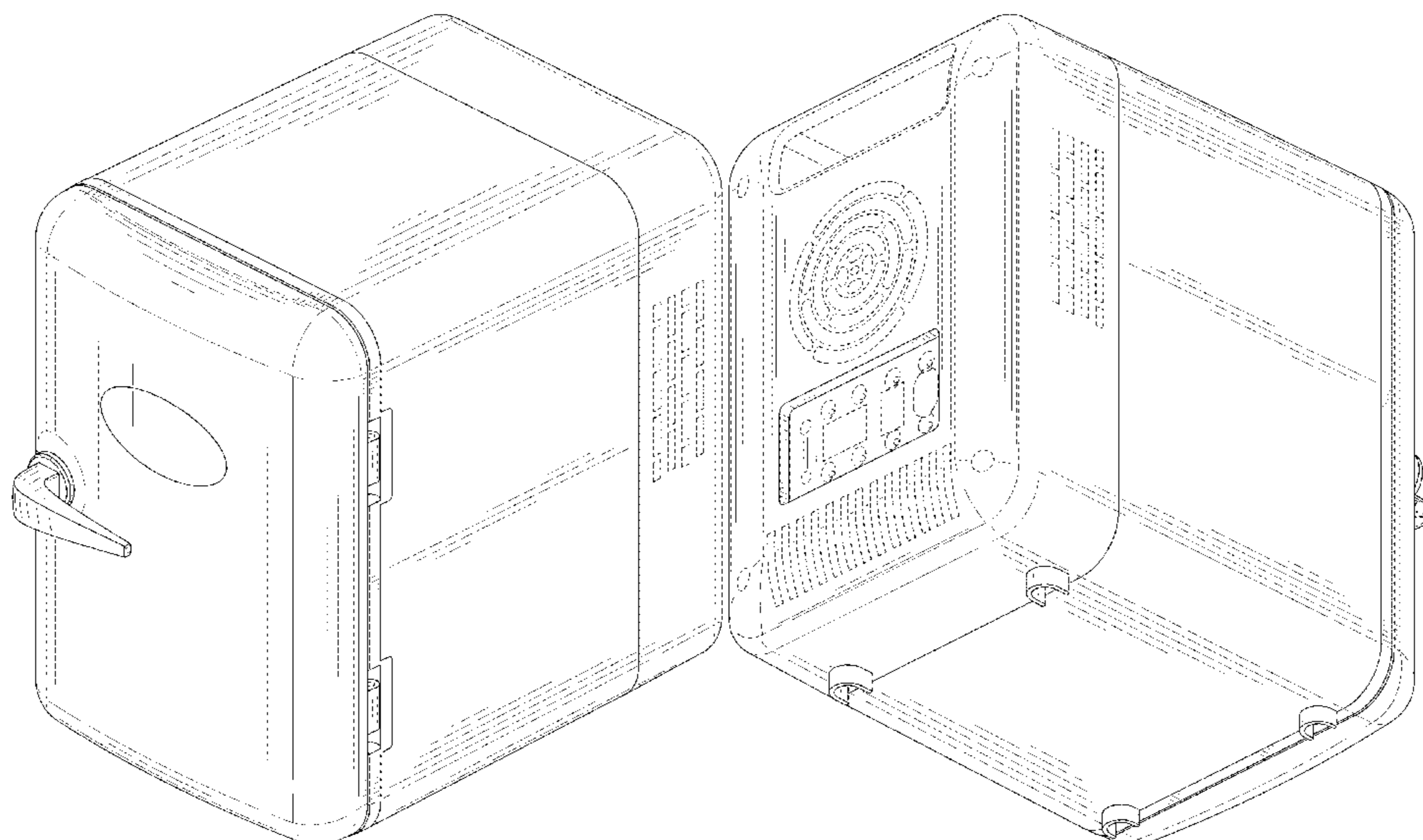
(57) **CLAIM**

The ornamental design for a car refrigerator, as shown and described.

**DESCRIPTION**

FIG. 1 is a front, right, and top perspective view of a car refrigerator, showing my design.  
FIG. 2 is a rear, left, and bottom perspective view thereof.  
FIG. 3 is a front elevation view thereof.  
FIG. 4 is a rear elevation view thereof.  
FIG. 5 is a left side elevation view thereof.  
FIG. 6 is a right side elevation view thereof.  
FIG. 7 is a top plan view thereof; and,  
FIG. 8 is a bottom plan view thereof.  
The broken lines shown in the drawings are included for the purpose of illustrating portions of the car refrigerator that form no part of the claimed design.

**1 Claim, 8 Drawing Sheets**



(56)

**References Cited**

## U.S. PATENT DOCUMENTS

D880,540	S	*	4/2020	Xie	.....	D15/83
D886,163	S	*	6/2020	Yao	.....	D15/81
D888,109	S	*	6/2020	Kim	.....	D15/79
D896,856	S	*	9/2020	Zhou	.....	D15/81
D898,083	S	*	10/2020	Yao	.....	D15/79
D909,431	S	*	2/2021	Kim	.....	D15/79
D919,678	S	*	5/2021	Yang	.....	D15/81
D922,454	S	*	6/2021	Tang	.....	D15/79
D927,562	S	*	8/2021	Kong	.....	D15/81
D930,716	S	*	9/2021	Huang	.....	D15/81
D933,600	S	*	10/2021	Wang	.....	D24/217
D937,328	S	*	11/2021	Tang	.....	D15/79
D937,910	S	*	12/2021	Huang	.....	D15/81
D940,209	S	*	1/2022	Kong	.....	D15/81

## OTHER PUBLICATIONS

Auto Guide, The Best Car Coolers and Portable Refrigerators for Your Next Road Trip, (Jan. 19, 2022), Autoguide.com, URL:<<https://www.autoguide.com/best-car-coolers-portable-refrigerators>> (Year: 2022).\*

SFGate, “Add a retro flair to your dorm, office or kitchen with this \$25 mini fridge”, (Nov. 22, 2021), SFGate.com, URL:<<https://www.sfgate.com/shopping/article/Walmart-Frigidaire-mini-fridge-sale-black-friday-16635579.php>> (Year: 2021).\*

Frigidaire, EFMIS129-WHITE 6 Can Beverage Cooler, (first available Nov. 5, 2018), Amazon.com, URL:<<https://www.amazon.com/Frigidaire-EFMIS129-WHITE-Beverage-Cooler-White/dp/B08B43MJG3>> (Year: 2018).\*

\* cited by examiner

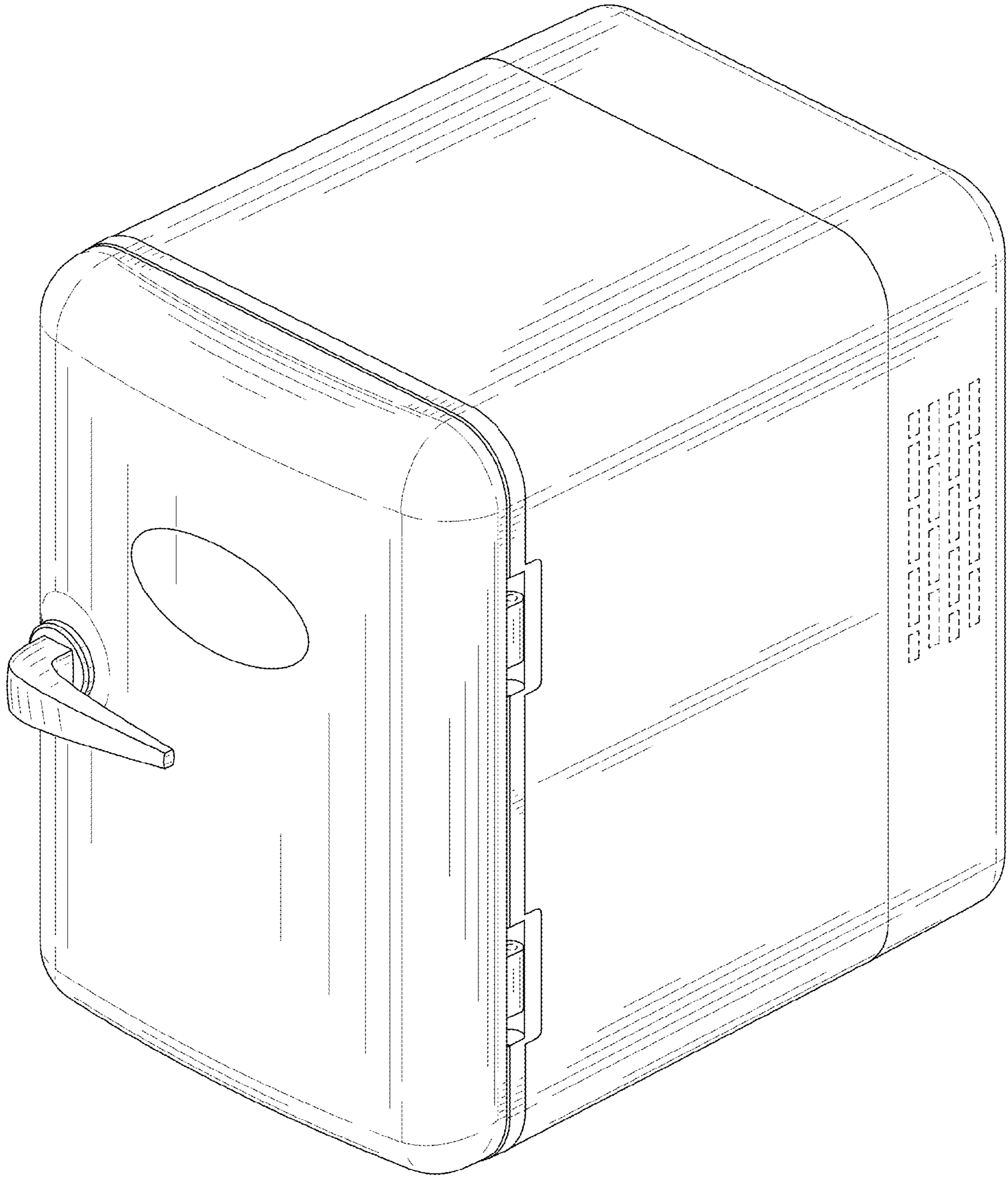


FIG. 1

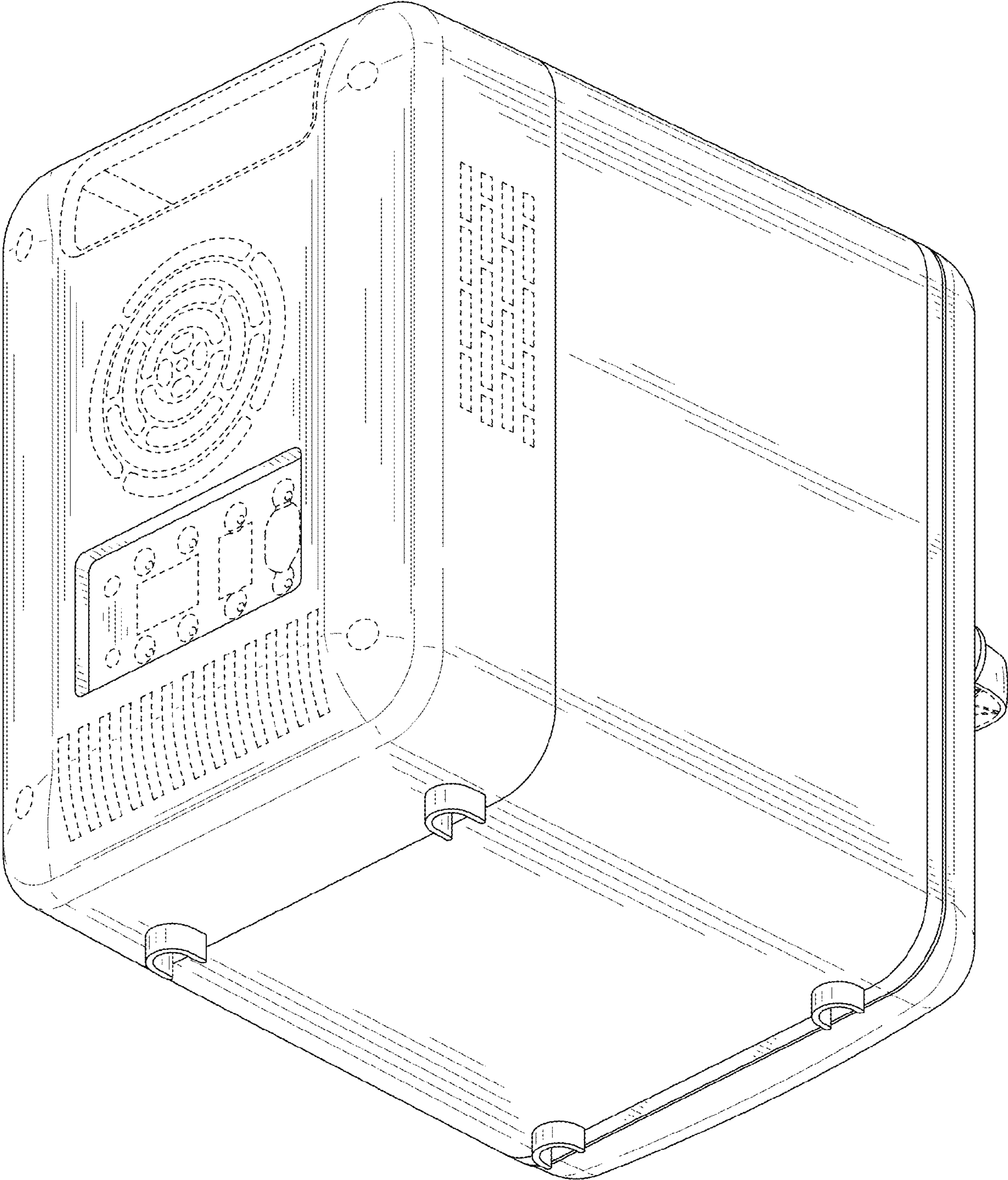


FIG. 2

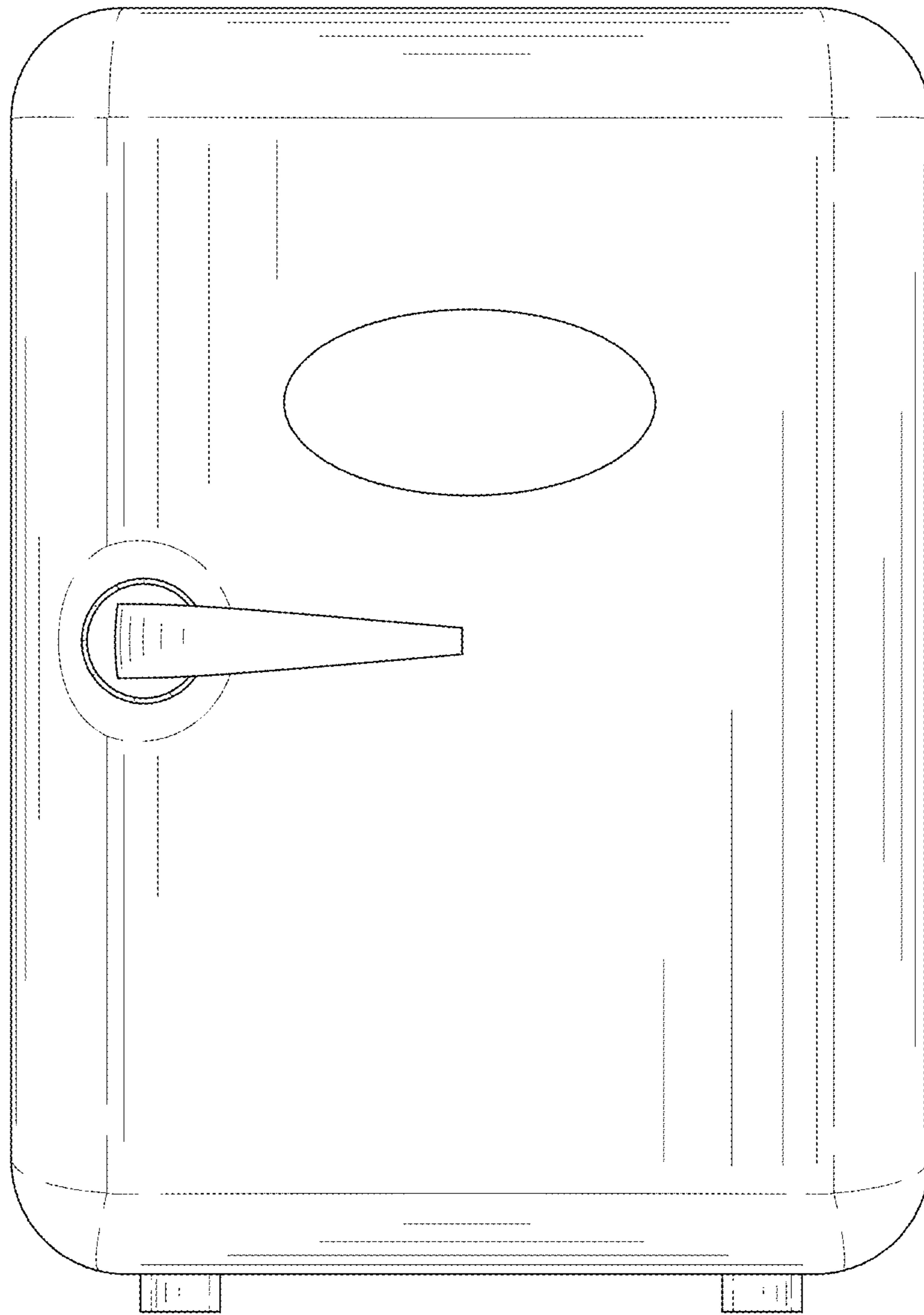


FIG. 3

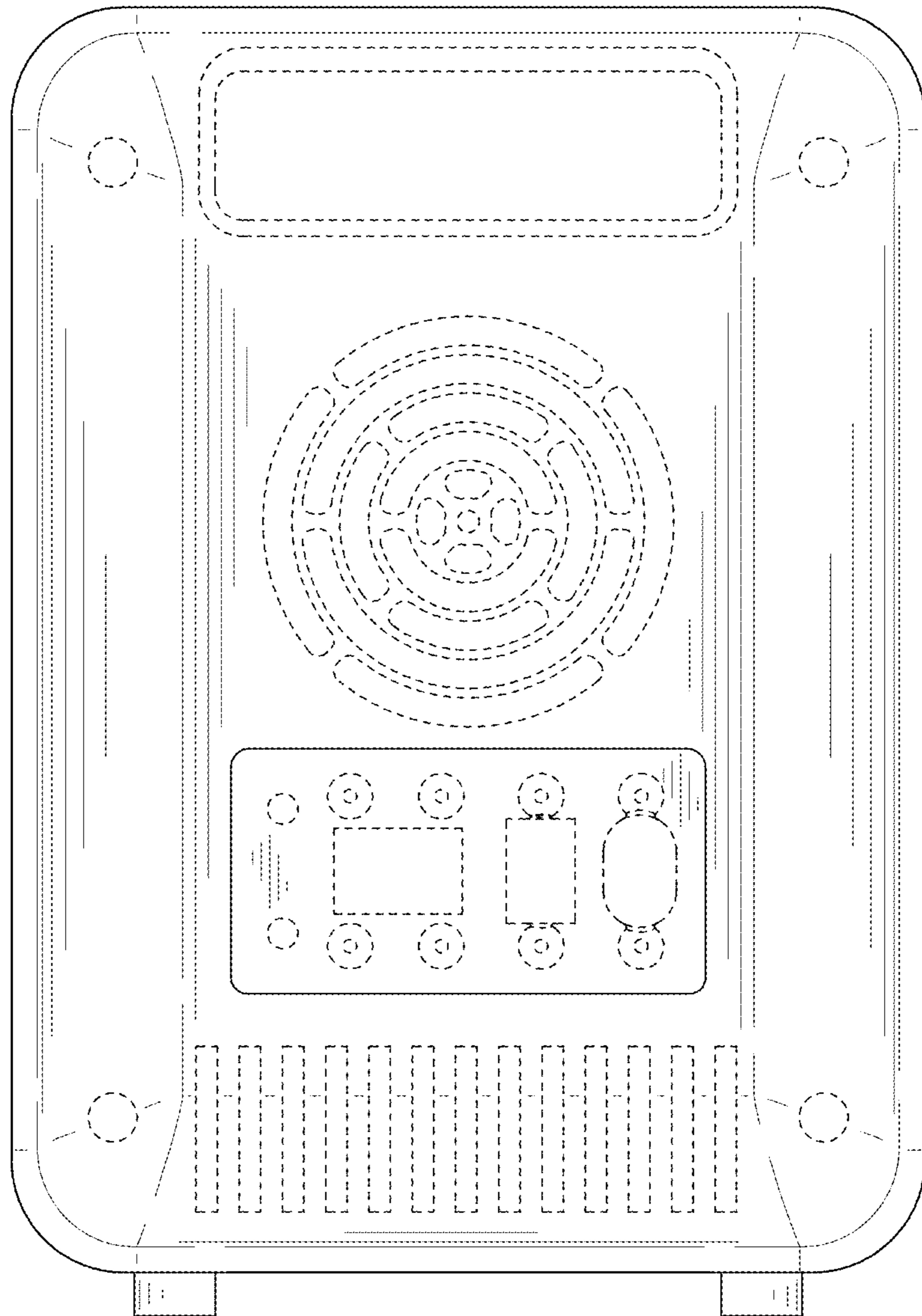


FIG. 4

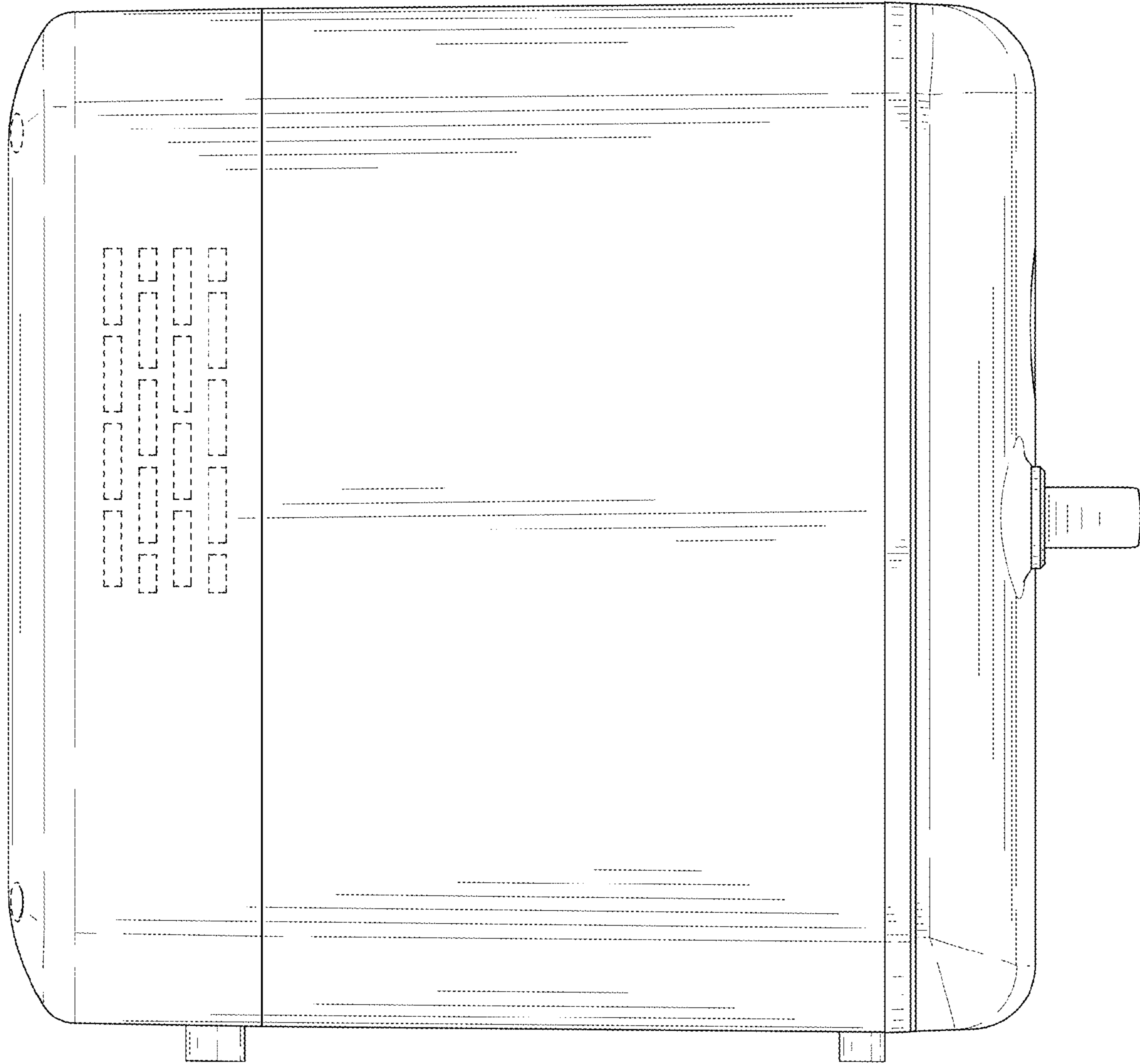


FIG. 5

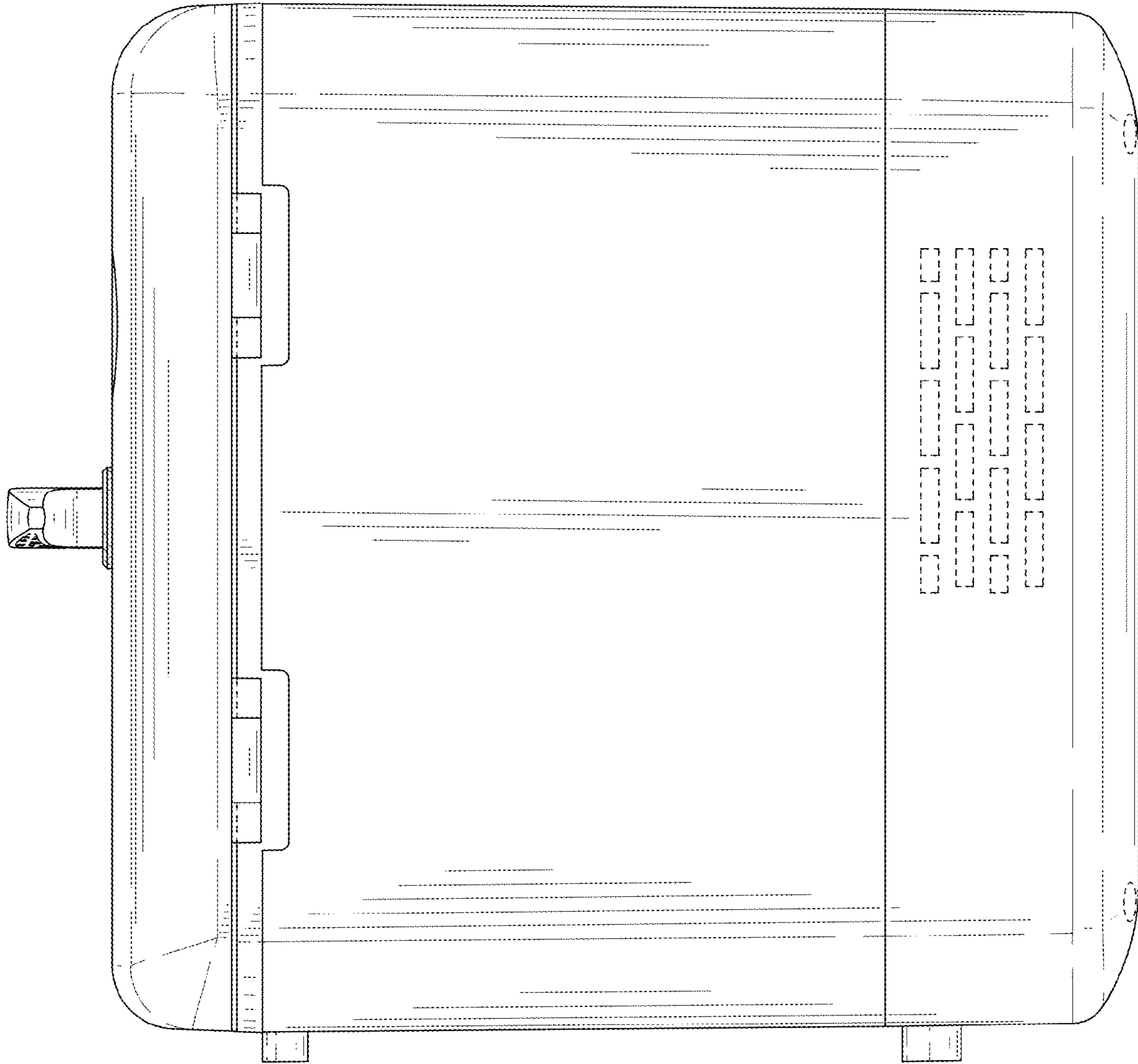


FIG. 6



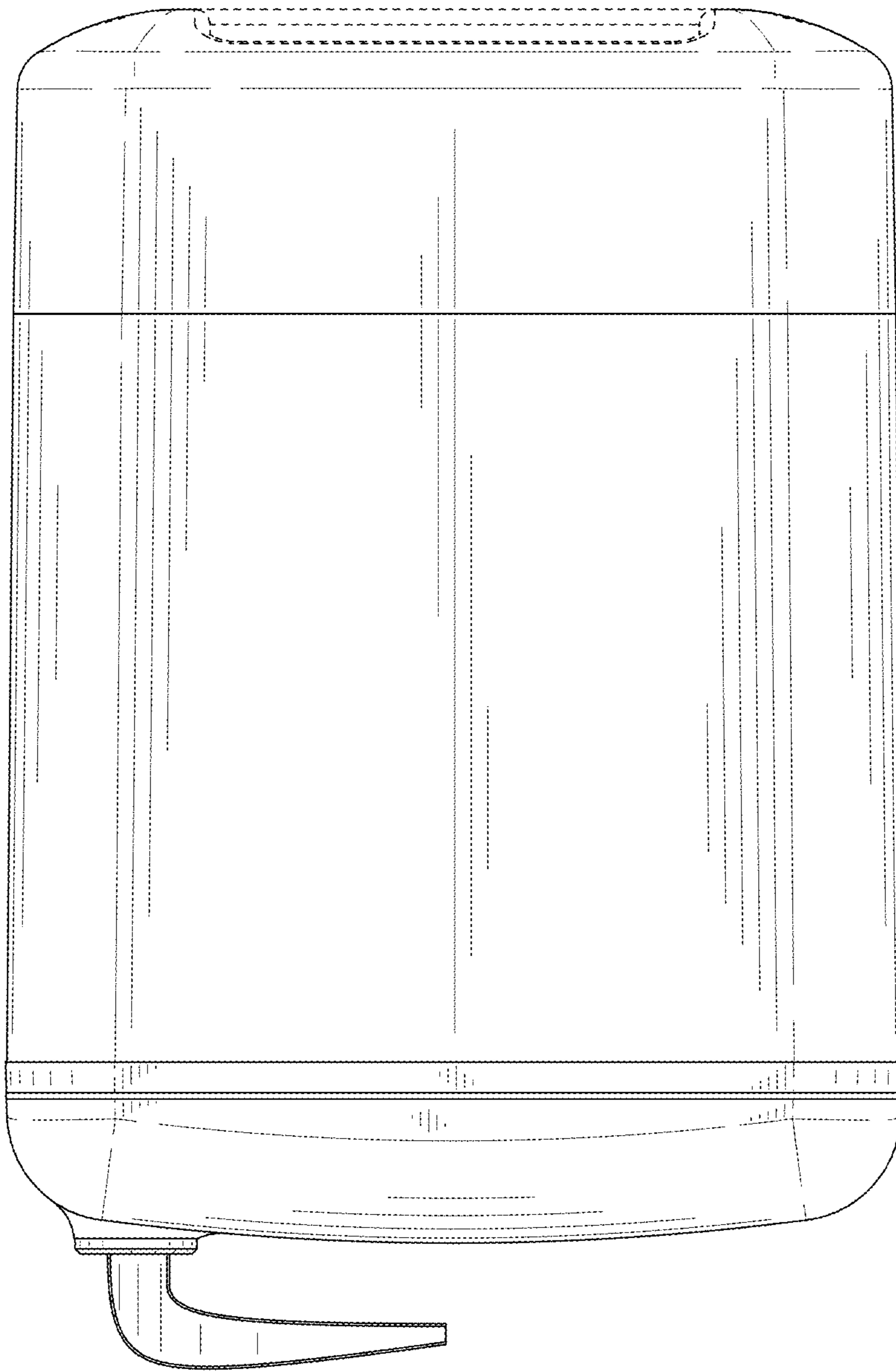


FIG. 7

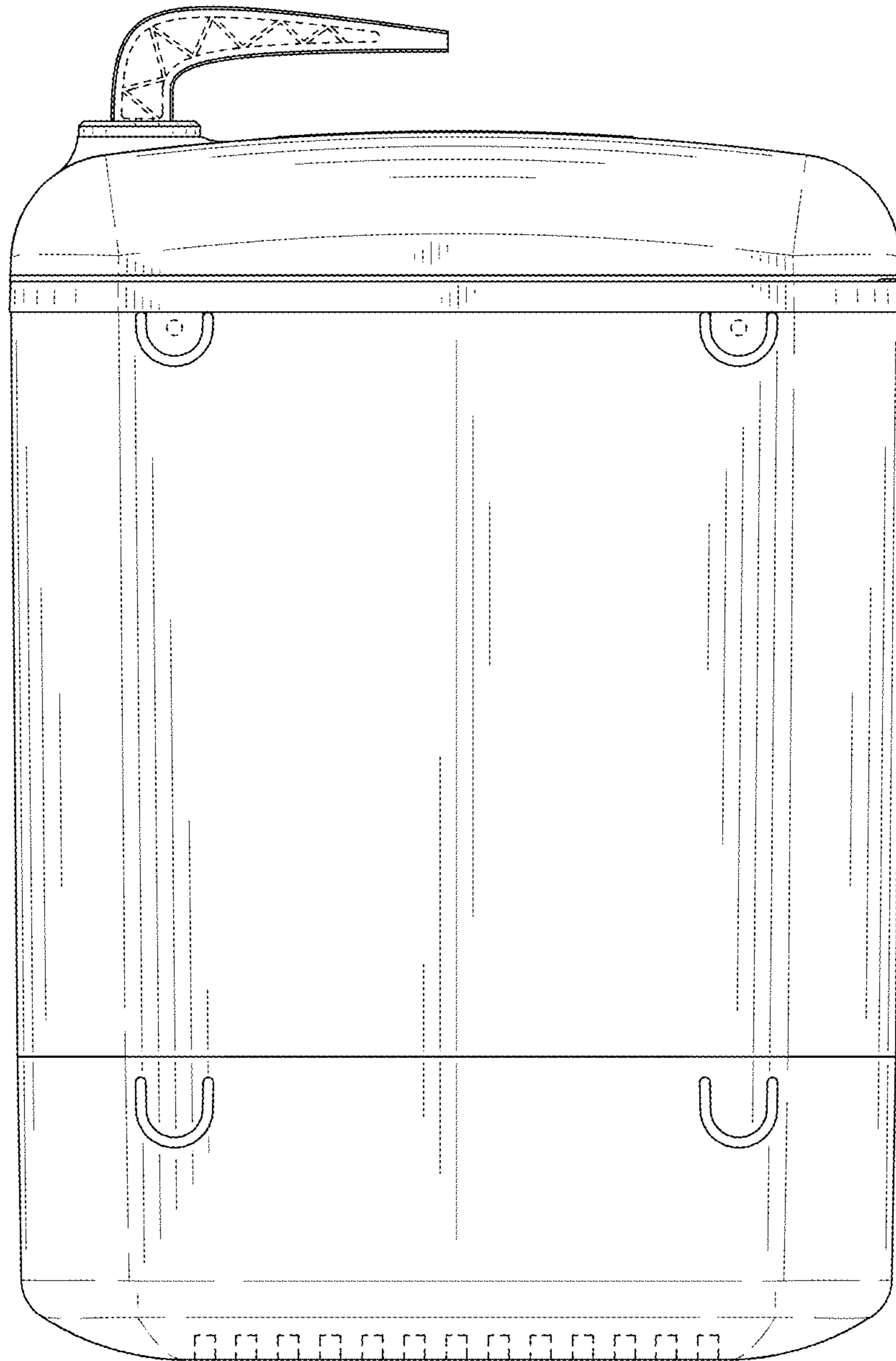


FIG. 8