



US00D963002S

(12) **United States Design Patent**
Kim et al.

(10) **Patent No.:** **US D963,002 S**
(45) **Date of Patent:** **** Sep. 6, 2022**

(54) **DOOR WITH REFRIGERATOR AND DELIVERY STORAGE BOX**

(71) Applicant: **LG ELECTRONICS INC.**, Seoul (KR)
(72) Inventors: **Hyunchul Kim**, Seoul (KR); **Insun Yeo**, Seoul (KR); **Wook Shin**, Seoul (KR); **Eugene Myung**, Seoul (KR); **Kiyeal Seo**, Seoul (KR); **Junghoon Lee**, Seoul (KR)

(73) Assignee: **LG ELECTRONICS INC.**, Seoul (KR)

(**) Term: **15 Years**

(21) Appl. No.: **29/728,266**

(22) Filed: **Mar. 17, 2020**

(30) **Foreign Application Priority Data**

Oct. 2, 2019 (KR) 30-2019-0047425

(51) **LOC (13) Cl.** **15-07**

(52) **U.S. Cl.**
USPC **D15/81**

(58) **Field of Classification Search**

USPC D25/48.1, 48.3, 199; D15/79-91; D6/663, 671.1-671.2; D99/28, 31, 33, 43
CPC F25D 25/02; F25D 25/021; F25D 25/022; F25D 25/024; F25D 25/025; F25D 2323/00; F25D 2323/021; F25D 2323/024; F25D 2325/021; F25D 17/042; F25D 27/005; F25D 29/00; F25D 29/005; F25D 2300/00; F25D 2331/80; F25D 11/00; F25D 11/02; F25D 11/025; F25D 23/00; F25D 23/02; F25D 23/04; F25D 23/12; F25D 23/028; A47F 3/04; A47F 3/0404

See application file for complete search history.

(56) **References Cited**

U.S. PATENT DOCUMENTS

2,111,411 A * 3/1938 Spreen F25D 25/02 126/340
2,815,649 A * 12/1957 Di Angelus F25D 25/02 312/351
3,971,231 A * 7/1976 Derry F25D 3/12 62/449

(Continued)

OTHER PUBLICATIONS

LockTec, Refrigerated pickup station—cool lockers by LockTec, (site visited Apr. 29, 2022), LockTec Website, URL:<<https://www.locktec.com/en/products/cool-lockers/#&gid=lightbox-group-784&pid=7>> (Year: 2022).*

(Continued)

Primary Examiner — Calvin E Vansant
Assistant Examiner — Mark T. Philipps

(74) *Attorney, Agent, or Firm* — Birch, Stewart, Kolasch & Birch, LLP

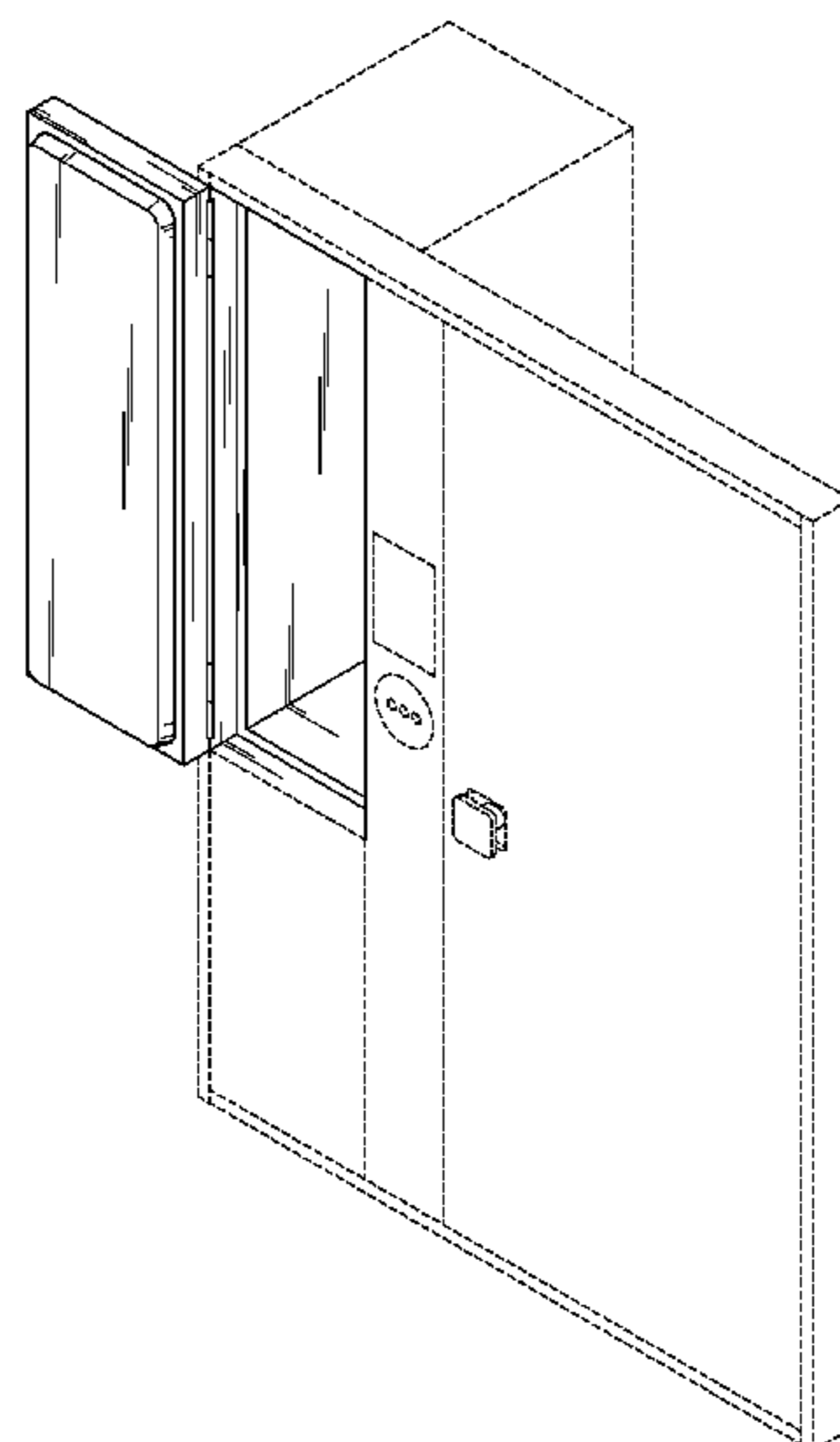
(57) **CLAIM**

We claim the ornamental design for a door with refrigerator and delivery storage box, as shown and described.

DESCRIPTION

FIG. 1 is a perspective view of a door with refrigerator and delivery storage box showing the new design; FIG. 2 is a front elevation view thereof; FIG. 3 is a rear elevation view thereof; FIG. 4 is a left-side elevation view thereof; FIG. 5 is a right-side elevation view thereof; FIG. 6 is a top plan view thereof; FIG. 7 is a bottom plan view thereof; and, FIG. 8 is a perspective view showing a state of the refrigerator closed while the delivery storage is opened. The broken lines in the drawings depict portions of the article that form no part of the claim.

1 Claim, 8 Drawing Sheets



(56)

References Cited

U.S. PATENT DOCUMENTS

4,725,107 A * 2/1988 Appleton F25D 11/02
312/283
D363,618 S * 10/1995 Cramer D6/671.1
D607,019 S * 12/2009 Becke D15/87
D617,353 S * 6/2010 Jeon D15/86
D647,544 S * 10/2011 Kristiansen D15/86
D659,725 S * 5/2012 Wolfe D15/85
D714,359 S * 9/2014 Kim D15/85
D721,746 S * 1/2015 Ryu D15/86
D785,055 S * 4/2017 Kim D15/85
D786,316 S * 5/2017 Lee D15/85
D786,319 S * 5/2017 Kwak D15/86
D791,202 S * 7/2017 Kwak D15/91
D799,148 S * 10/2017 Crosby D99/28
D811,686 S * 2/2018 Crosby D99/28
D818,012 S * 5/2018 Kim F25D 23/00
D15/91
D824,965 S * 8/2018 Lee D15/91
D876,044 S * 2/2020 Sisco D99/28
D876,491 S * 2/2020 Yu F25D 23/025
D15/79
D880,543 S * 4/2020 Luchetta F25D 17/062
D15/91
D905,766 S * 12/2020 Vernon D15/79
D908,748 S * 1/2021 Lee D15/91
D912,338 S * 3/2021 Kim D32/10
D914,772 S * 3/2021 Kim F25D 25/025
D15/89
D921,711 S * 6/2021 Lee D15/85

D924,278 S * 7/2021 Choi F25D 25/025
D15/79
D925,619 S * 7/2021 Kim D15/91
D928,853 S * 8/2021 Kim D15/91
D929,473 S * 8/2021 Yeo F25D 23/02
D15/85
D943,646 S * 2/2022 Kim F25D 25/025
D15/91
D947,256 S * 3/2022 Myung F25D 25/025
D15/79
2010/0256800 A1 * 10/2010 Heffron G07F 11/62
312/327
2014/0318157 A1 * 10/2014 Knudsen F25D 11/02
62/62
2017/0061373 A1 * 3/2017 Hara G06Q 10/0836
2017/0188542 A1 * 7/2017 Dix A01K 1/035
2018/0172337 A1 * 6/2018 Choi F25D 23/02
2019/0271500 A1 * 9/2019 Lee F25D 27/005
2020/0123824 A1 * 4/2020 Yang A47B 87/0284
2020/0408028 A1 * 12/2020 Schmider E05G 1/04
2021/0217261 A1 * 7/2021 Green G08C 17/02

OTHER PUBLICATIONS

Smiota, Play It Cool With Refrigerated Package Lockers, (Jul. 17, 2018), Smiota website, URL:<<https://smiota.com/resources/play-cool-refrigerated-package-lockers/>> (Year: 2018).*

Luxer One, Luxer Lockers: Designed & Built in the USA, (site visited Apr. 29, 2022), Luxer One Website, URL:<<https://www.luxerone.com/product/luxer-lockers/>> (Year: 2022).*

* cited by examiner

FIG. 1

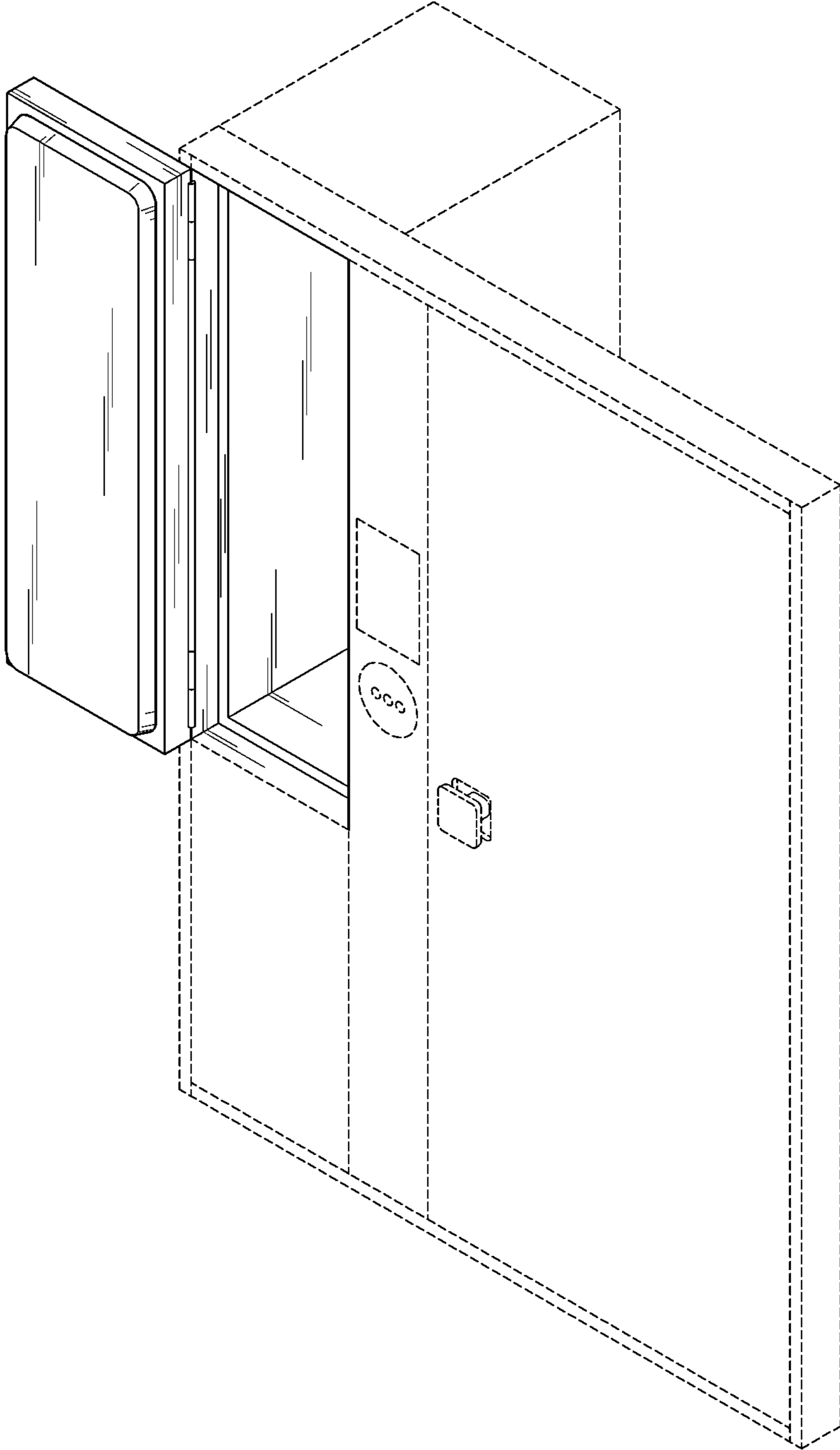


FIG. 2

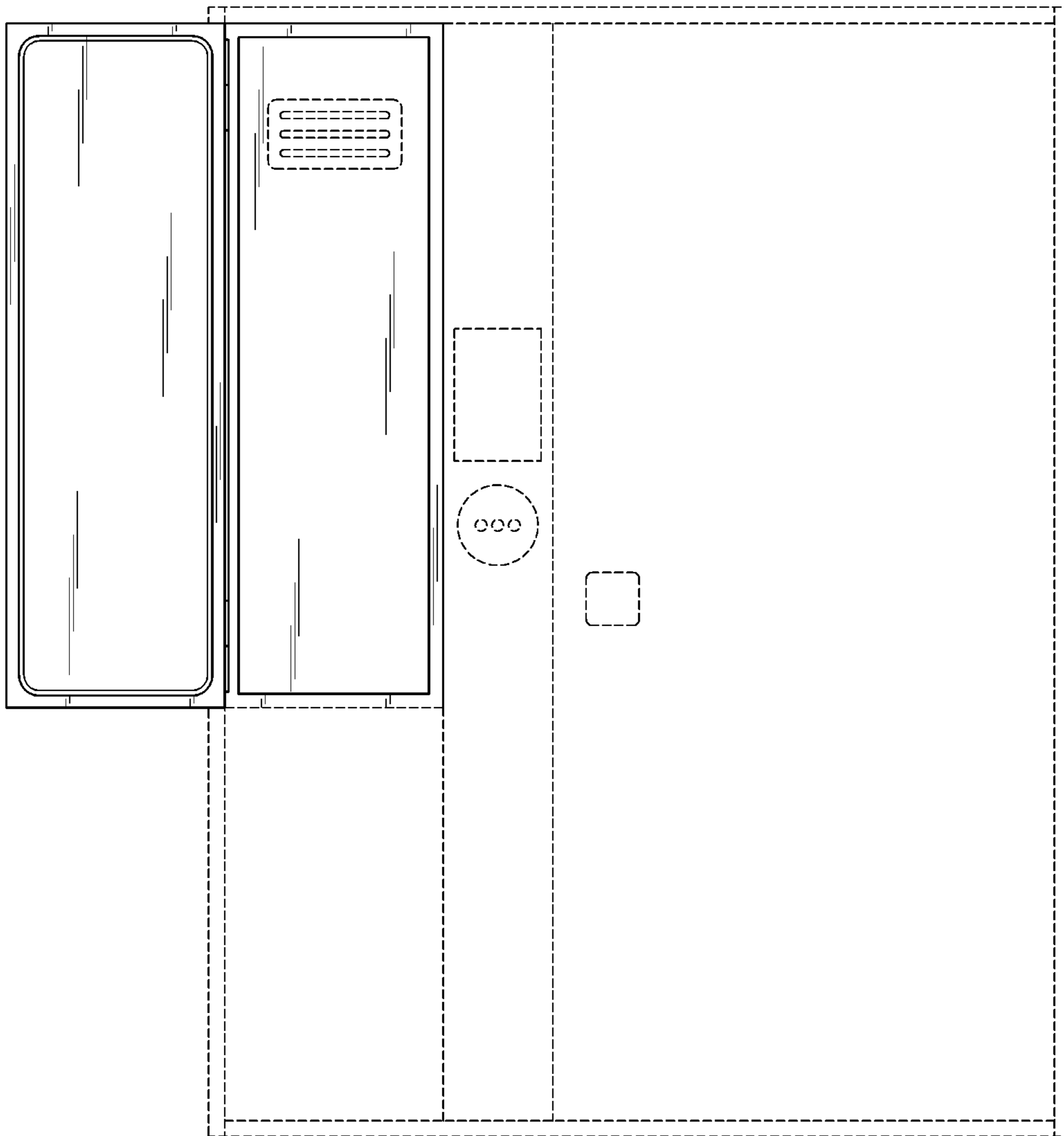


FIG. 3

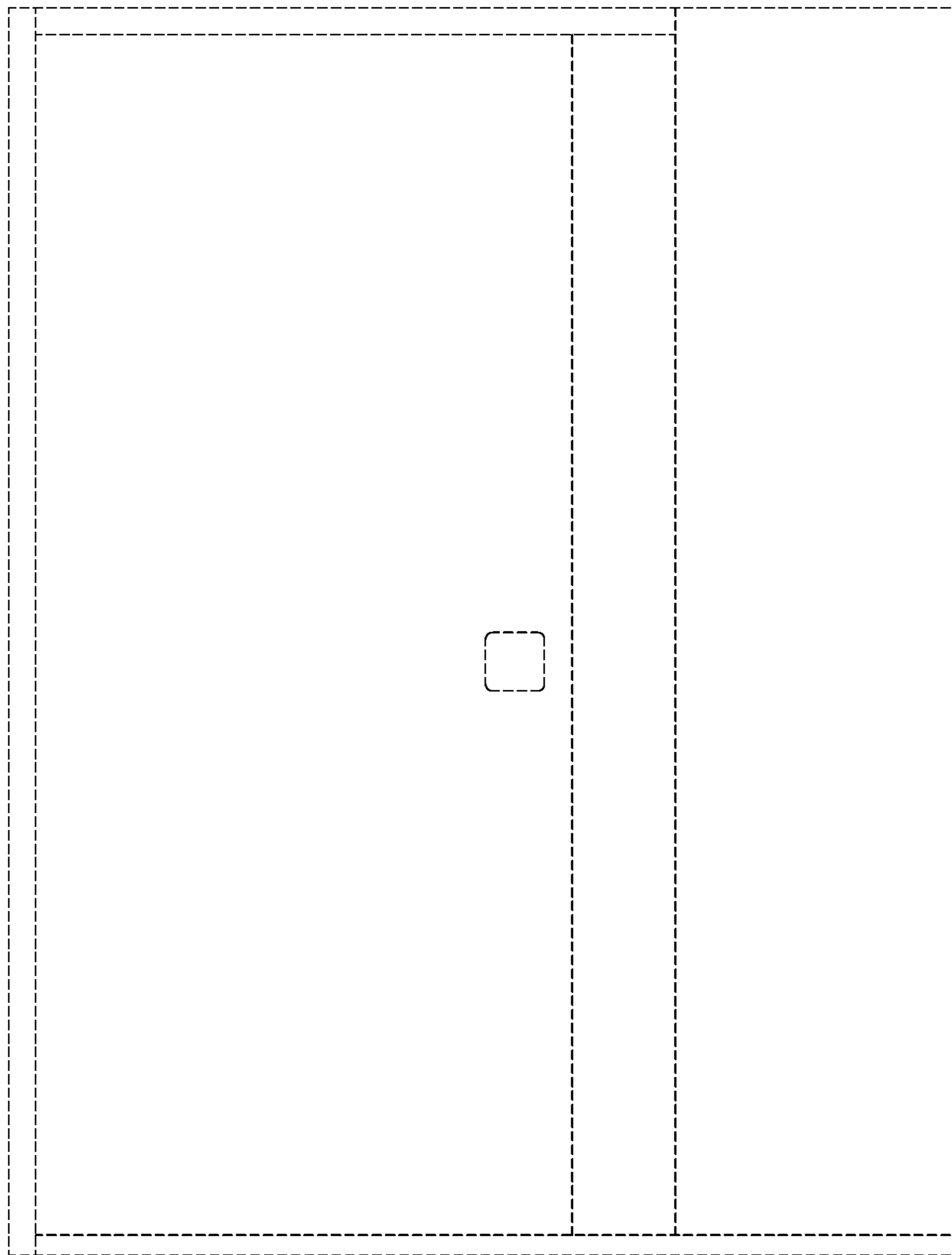


FIG. 4

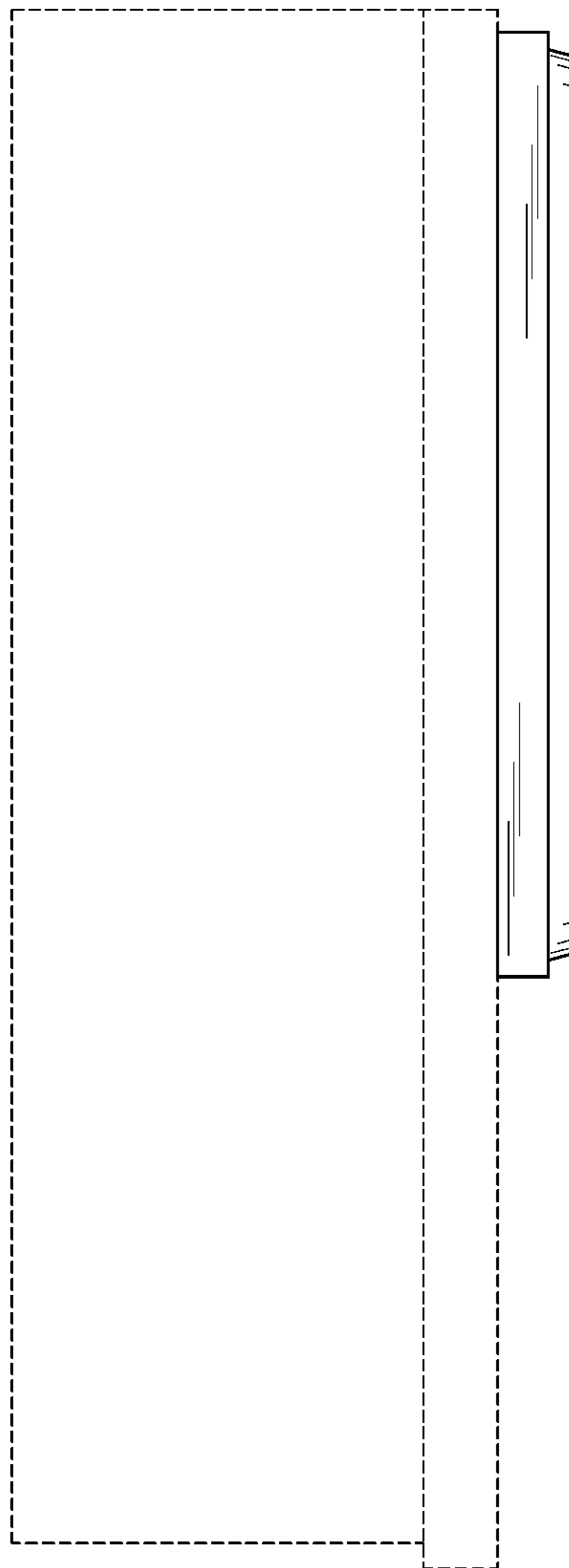


FIG. 5

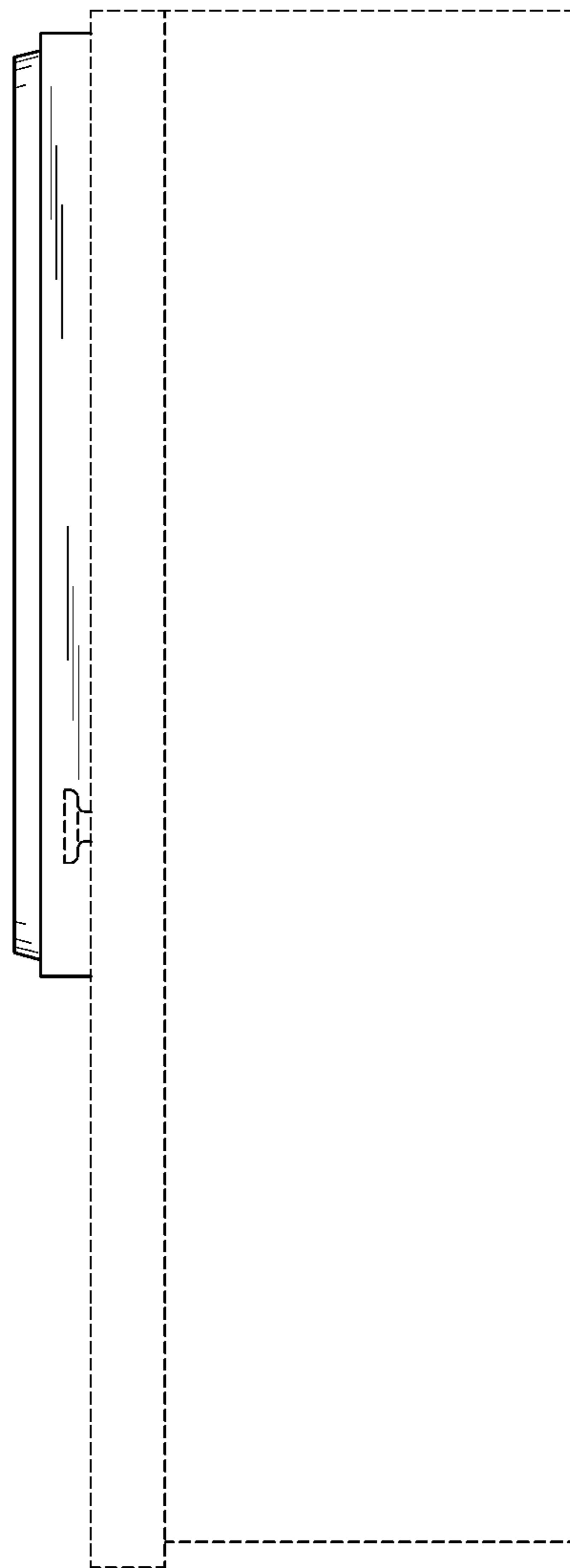


FIG. 6

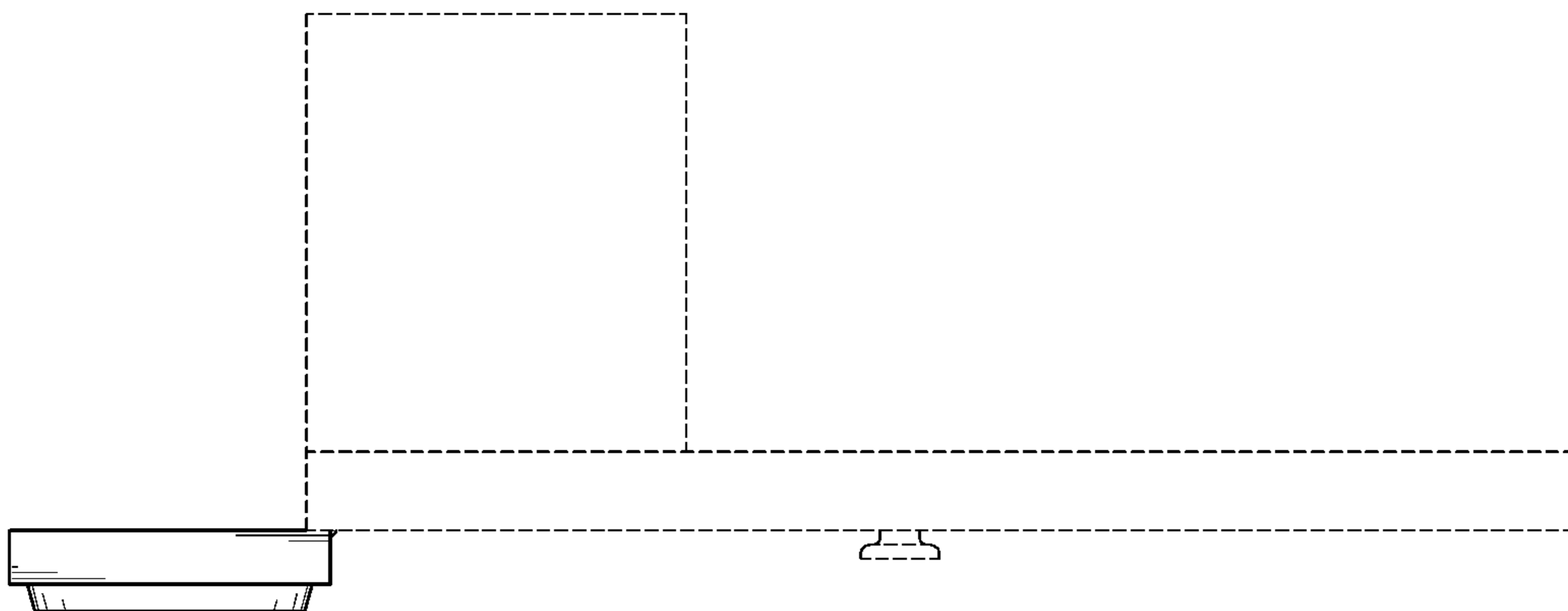


FIG. 7

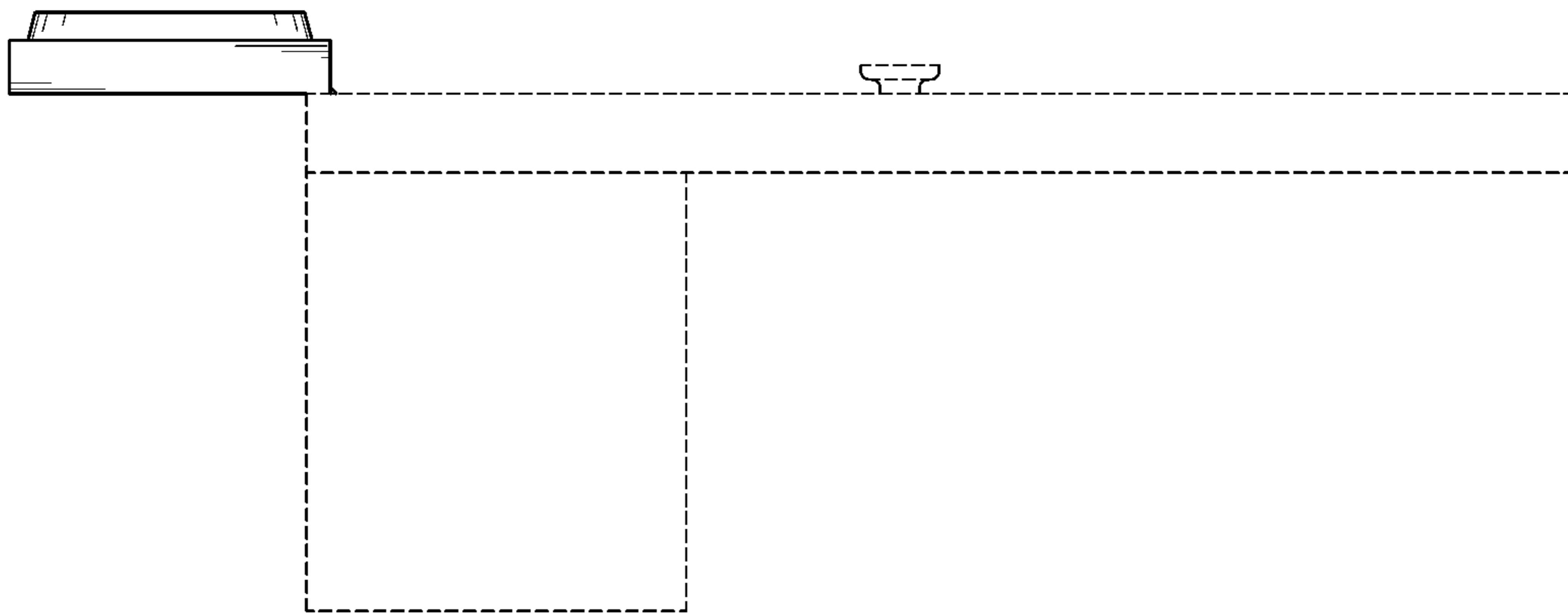


FIG. 8

