



US00D963001S

(12) **United States Design Patent**
Yao

(10) **Patent No.:** **US D963,001 S**
(45) **Date of Patent:** **** Sep. 6, 2022**

- (54) **COSMETIC REFRIGERATOR**
- (71) Applicant: **Shenzhen San Jutou Network Technology Co., Ltd., Shenzhen (CN)**
- (72) Inventor: **Zhihao Yao, Guangdong (CN)**
- (73) Assignee: **Shenzhen San Jutou Network Technology Co., Ltd., Shenzhen (CN)**
- (**) Term: **15 Years**
- (21) Appl. No.: **29/805,069**
- (22) Filed: **Aug. 24, 2021**
- (51) **LOC (13) Cl.** **15-07**
- (52) **U.S. Cl.**
USPC **D15/79**
- (58) **Field of Classification Search**
USPC **D15/79-91**
See application file for complete search history.

Primary Examiner — Khawaja Anwar
(74) *Attorney, Agent, or Firm* — True Shepherd, LLC;
Andrew Cheng

(57) **CLAIM**

The ornamental design for a cosmetic refrigerator, as shown and described.

DESCRIPTION

FIG. 1 is a front, right, and top perspective view of a cosmetic refrigerator, showing my design.
 FIG. 2 is a rear, left, and bottom perspective view thereof.
 FIG. 3 is a front elevation view thereof.
 FIG. 4 is a rear elevation view thereof.
 FIG. 5 is a left side elevation view thereof.
 FIG. 6 is a right side elevation view thereof.
 FIG. 7 is a top plan view thereof.
 FIG. 8 is a bottom plan view thereof.
 FIG. 9 is a partial enlarged view of an area labeled 9 in FIG. 1 comprising a hand shank.
 FIG. 10 is a partial enlarged view of an area labeled 10 in FIG. 1 comprising a box interior part.
 FIG. 11 is a partial enlarged view of an area labeled 11 in FIG. 1 comprising at least one groove of a storage tank; and,
 FIG. 12 is a perspective view of the cosmetic refrigerator of FIG. 1 wherein the lid of cosmetic refrigerator is close.
 The broken lines shown in the drawings are included for the purpose of illustrating portions of the cosmetic refrigerator that form no part of the claimed design.

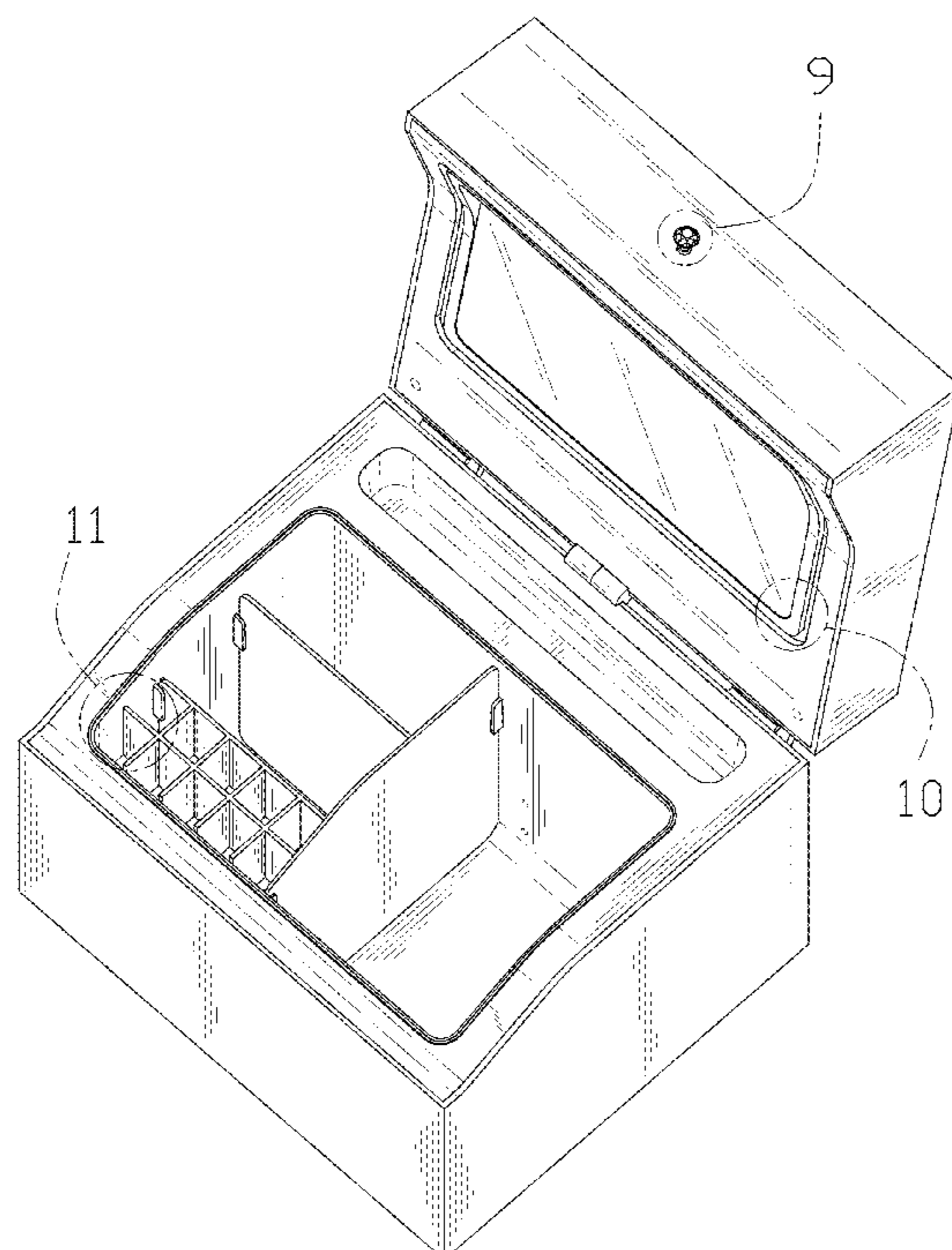
(56) **References Cited**

U.S. PATENT DOCUMENTS

5,524,440 A *	6/1996	Nishioka	A45C 15/00 62/3.62
D893,557 S *	8/2020	Lizier	A47F 3/04 D15/79
D924,946 S	7/2021	Xu	
D927,562 S	8/2021	Kong	
D944,871 S *	3/2022	Di-Rosa	D15/89
D944,872 S *	3/2022	Di-Rosa	D15/89
D952,006 S *	5/2022	Li	D15/81
D952,699 S *	5/2022	Li	D15/79
D956,829 S *	7/2022	Li	D15/79

* cited by examiner

1 Claim, 12 Drawing Sheets



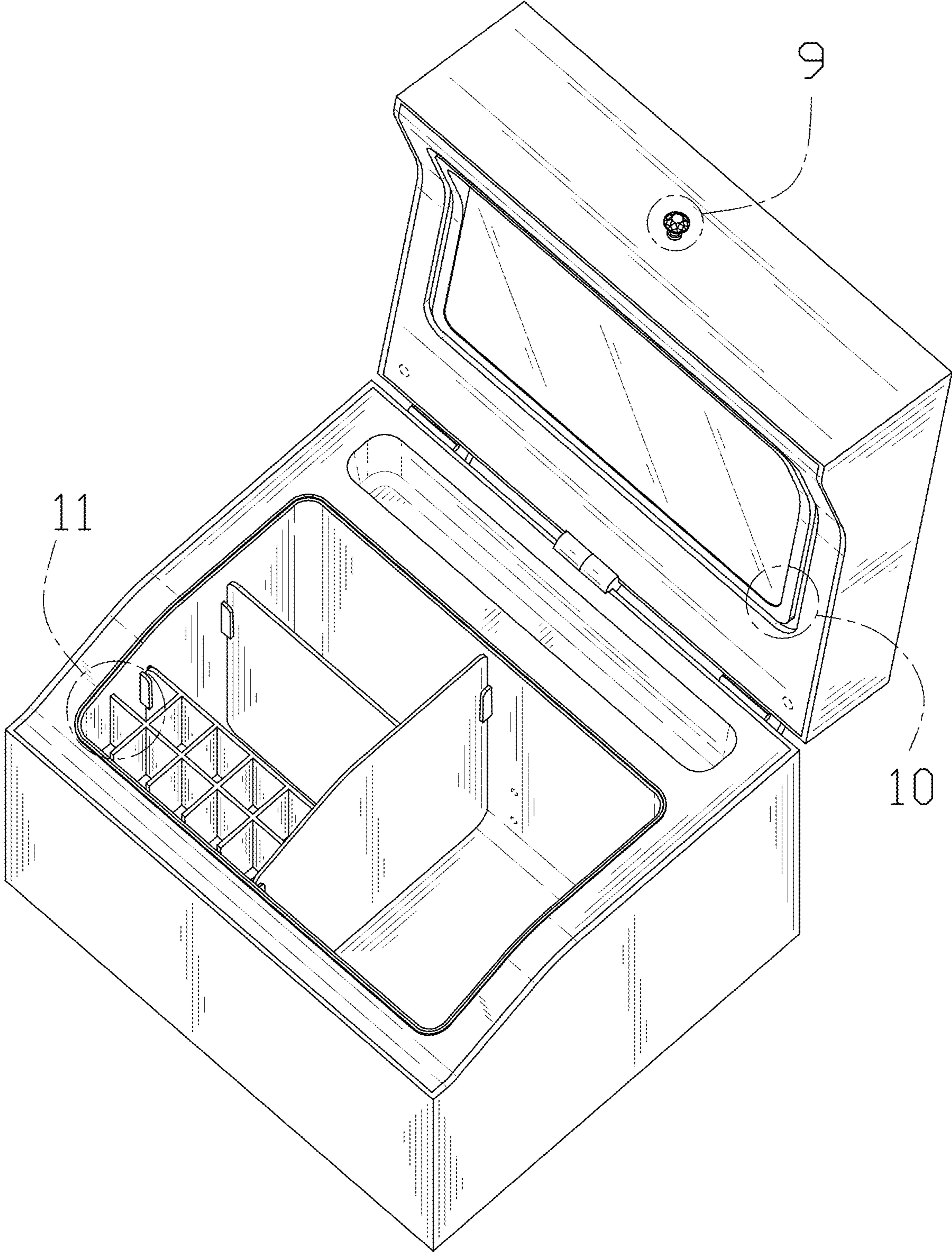


FIG. 1

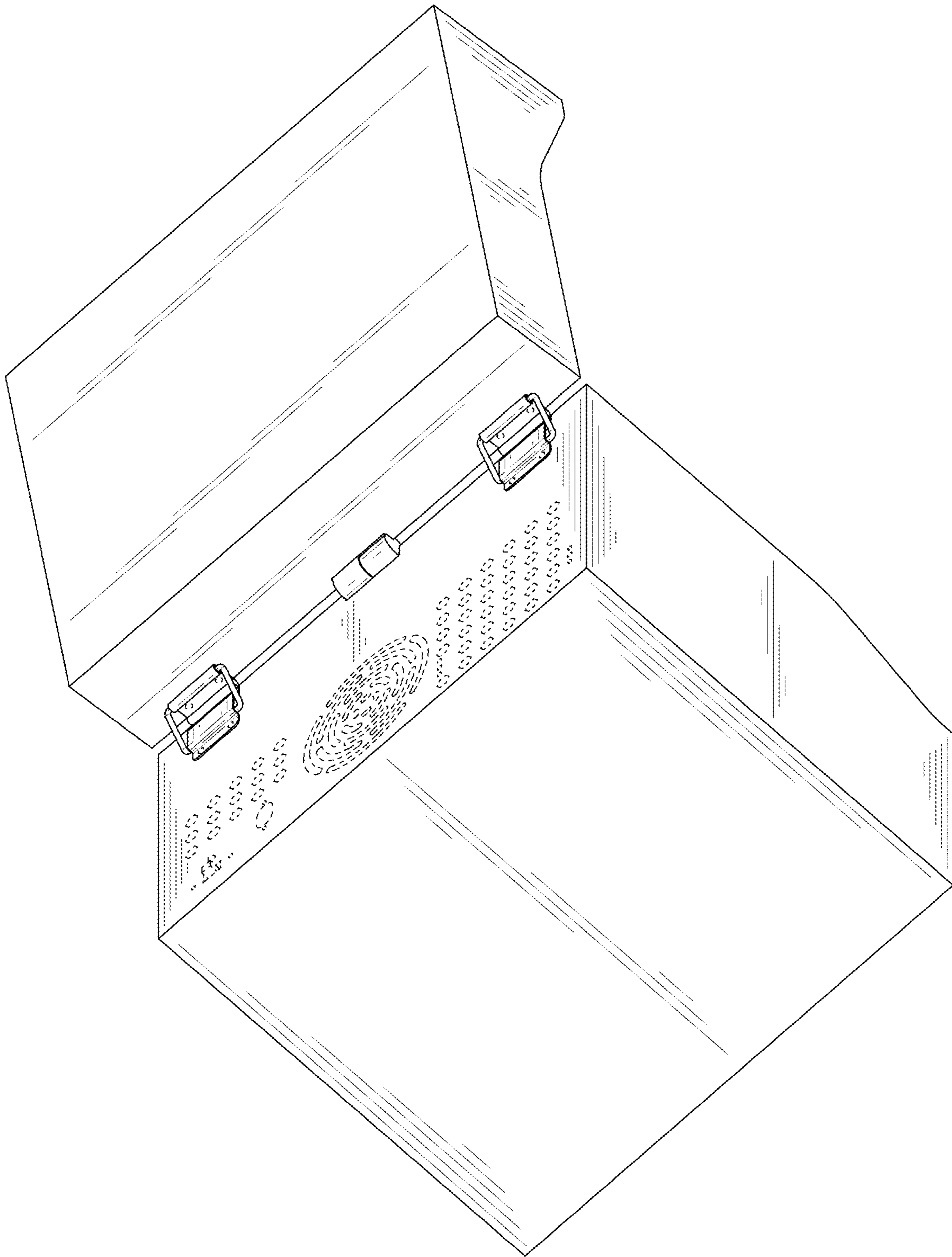


FIG. 2

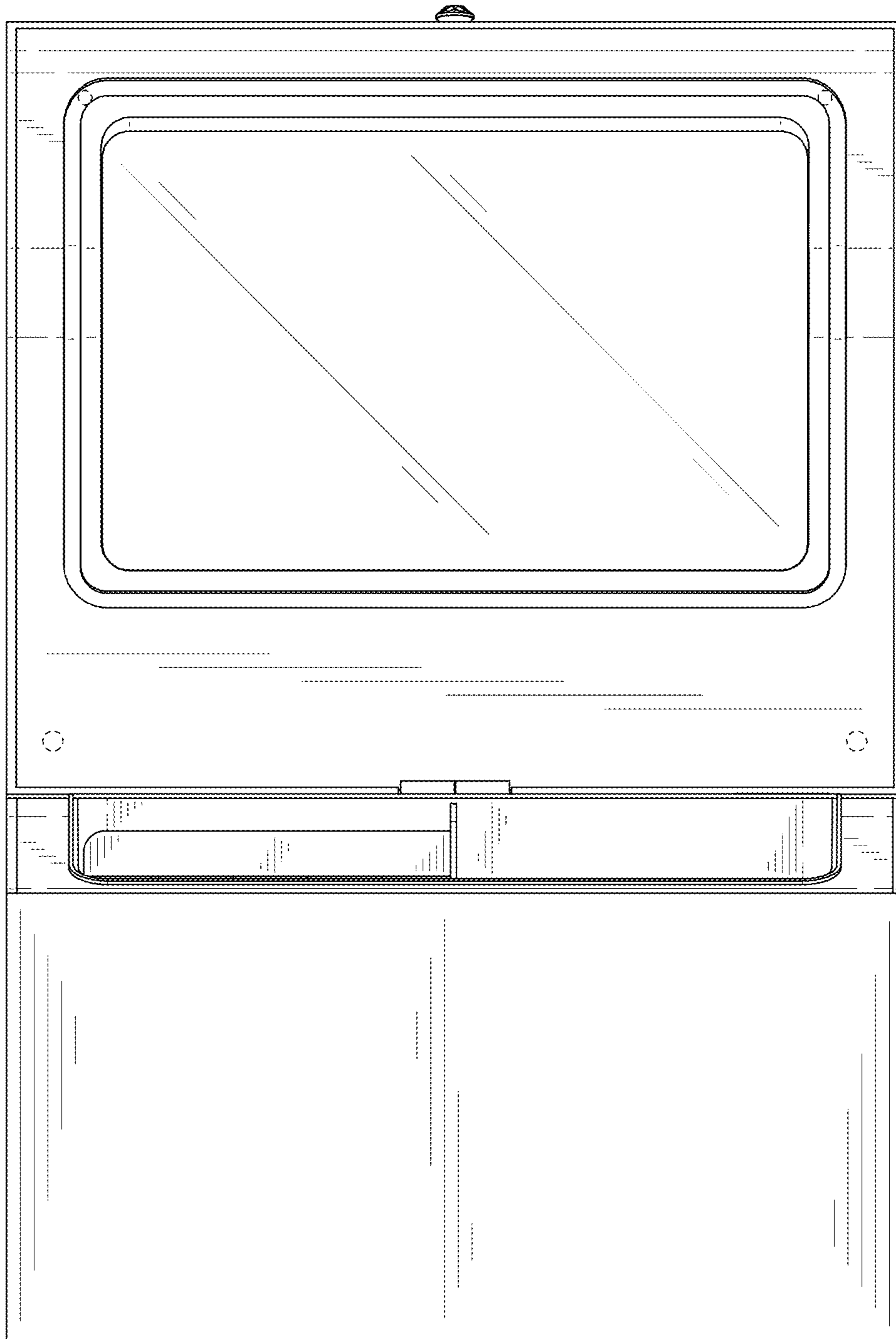


FIG. 3

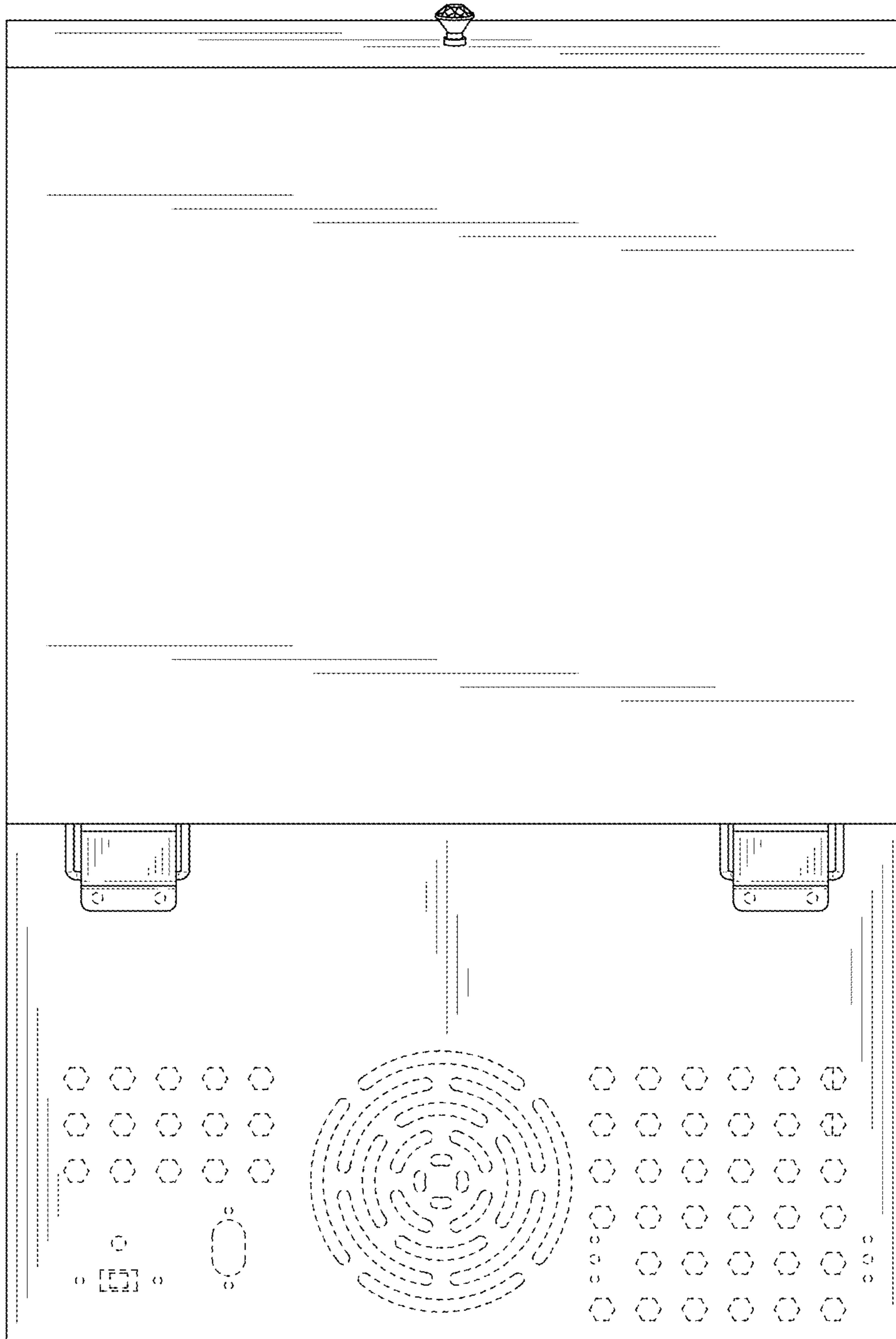


FIG. 4

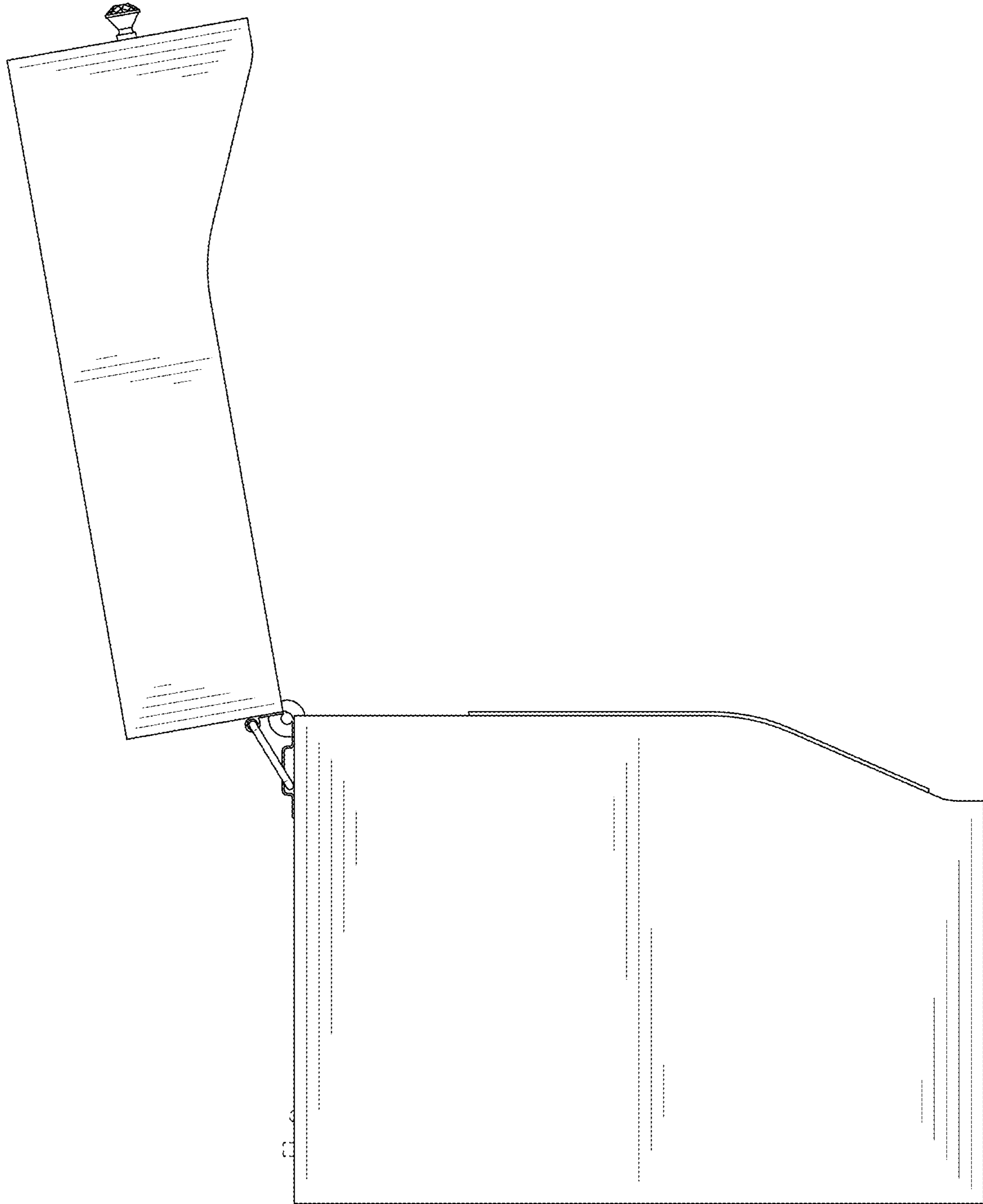


FIG. 5

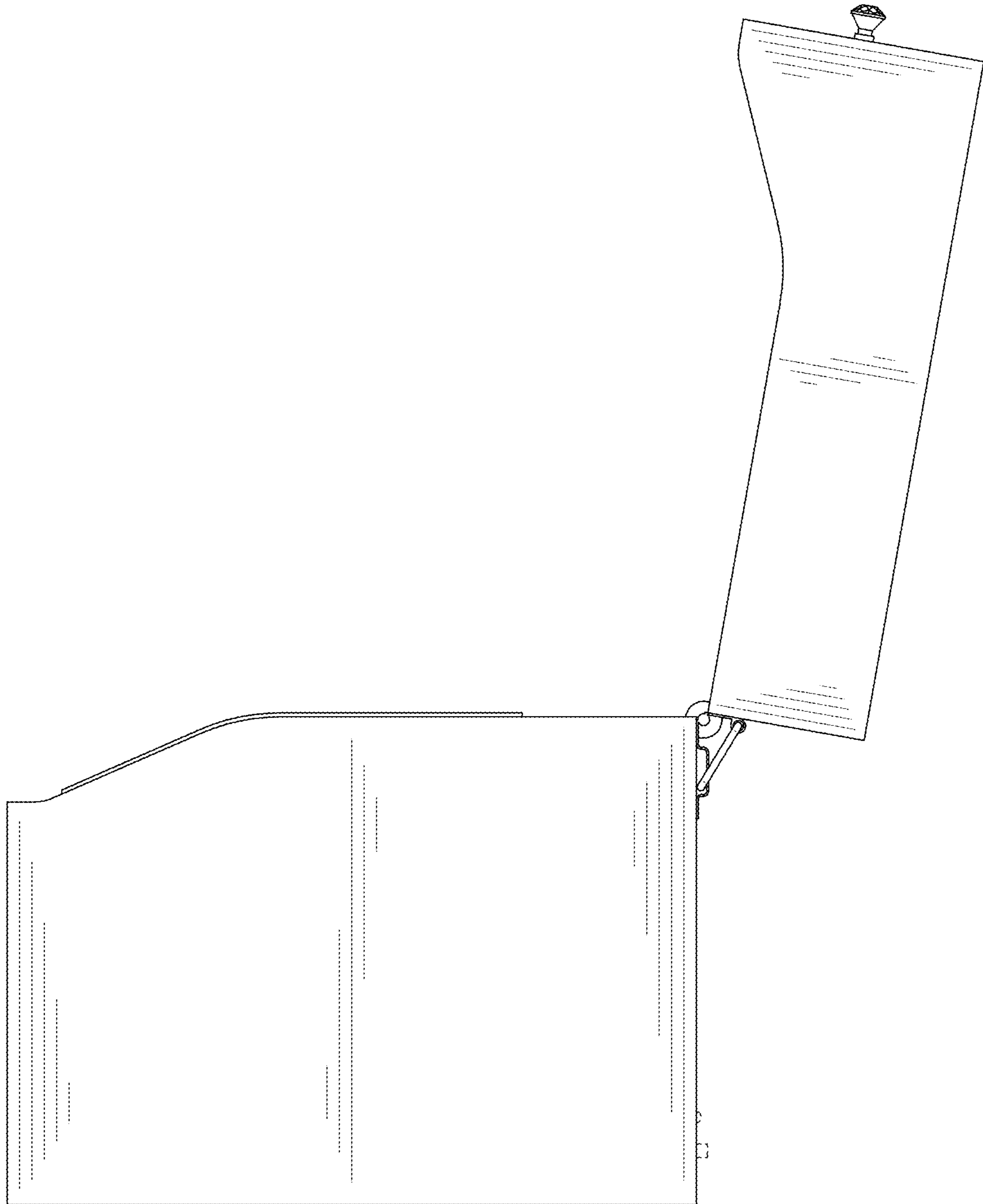


FIG. 6

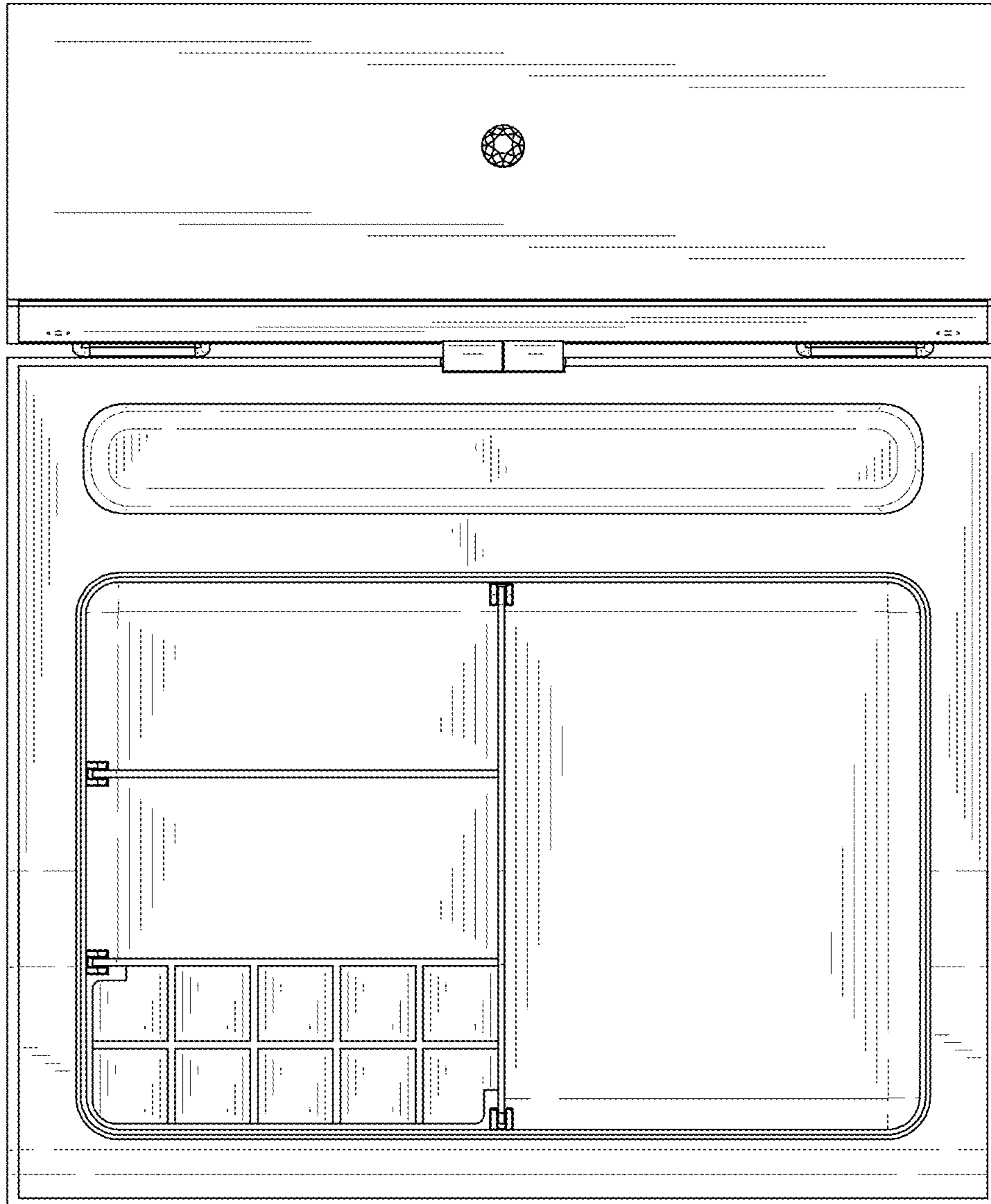


FIG. 7

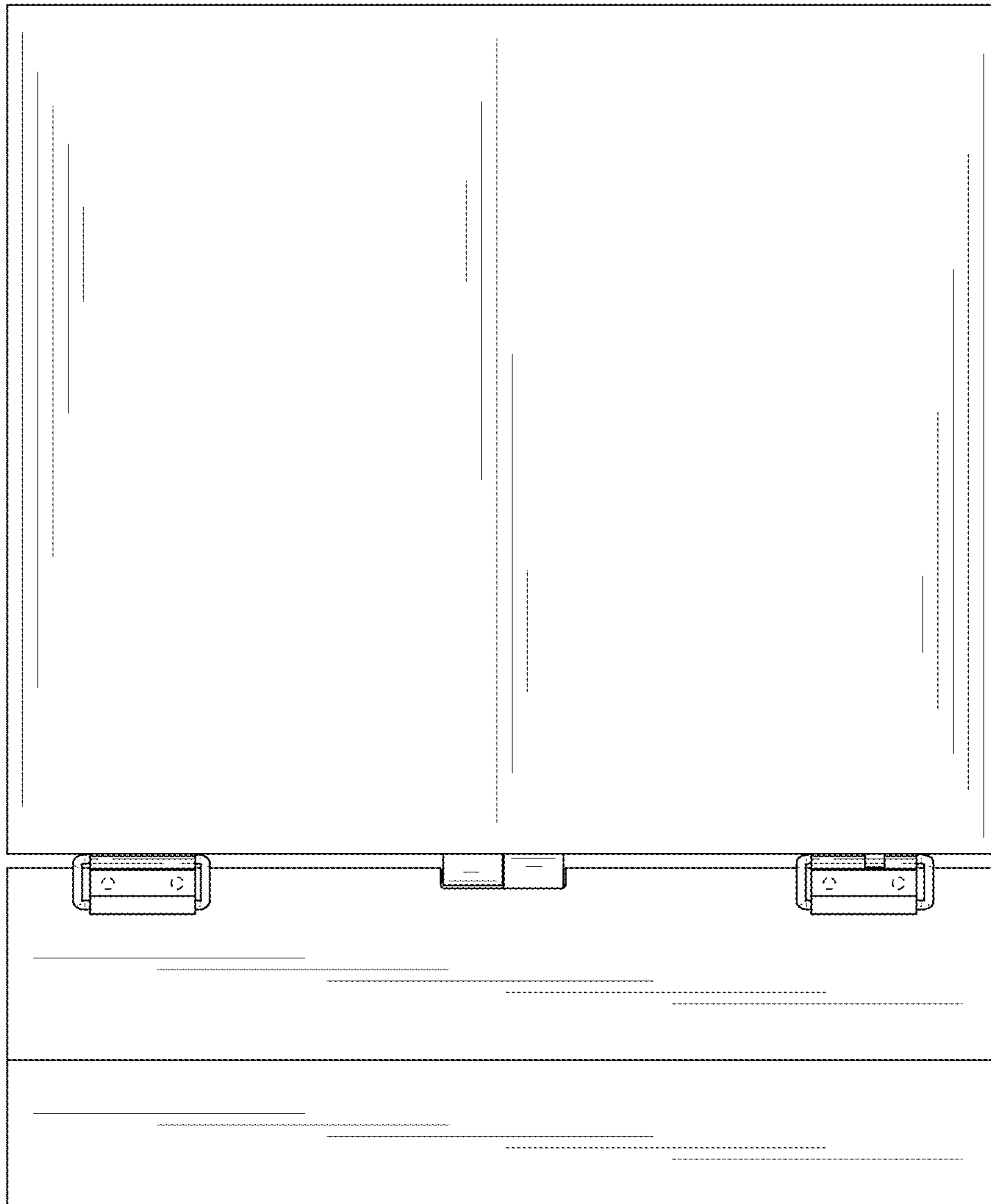


FIG. 8

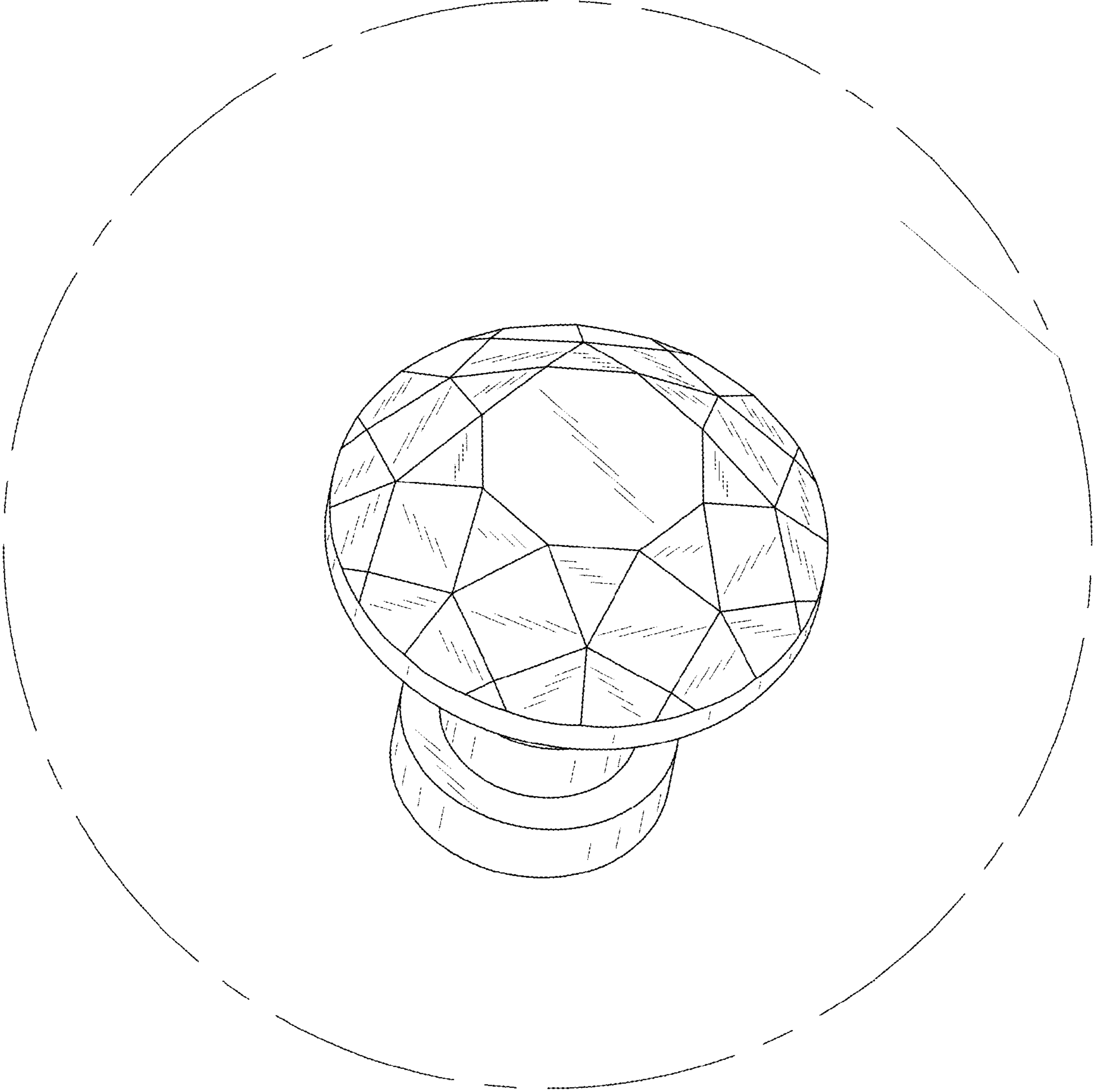


FIG. 9

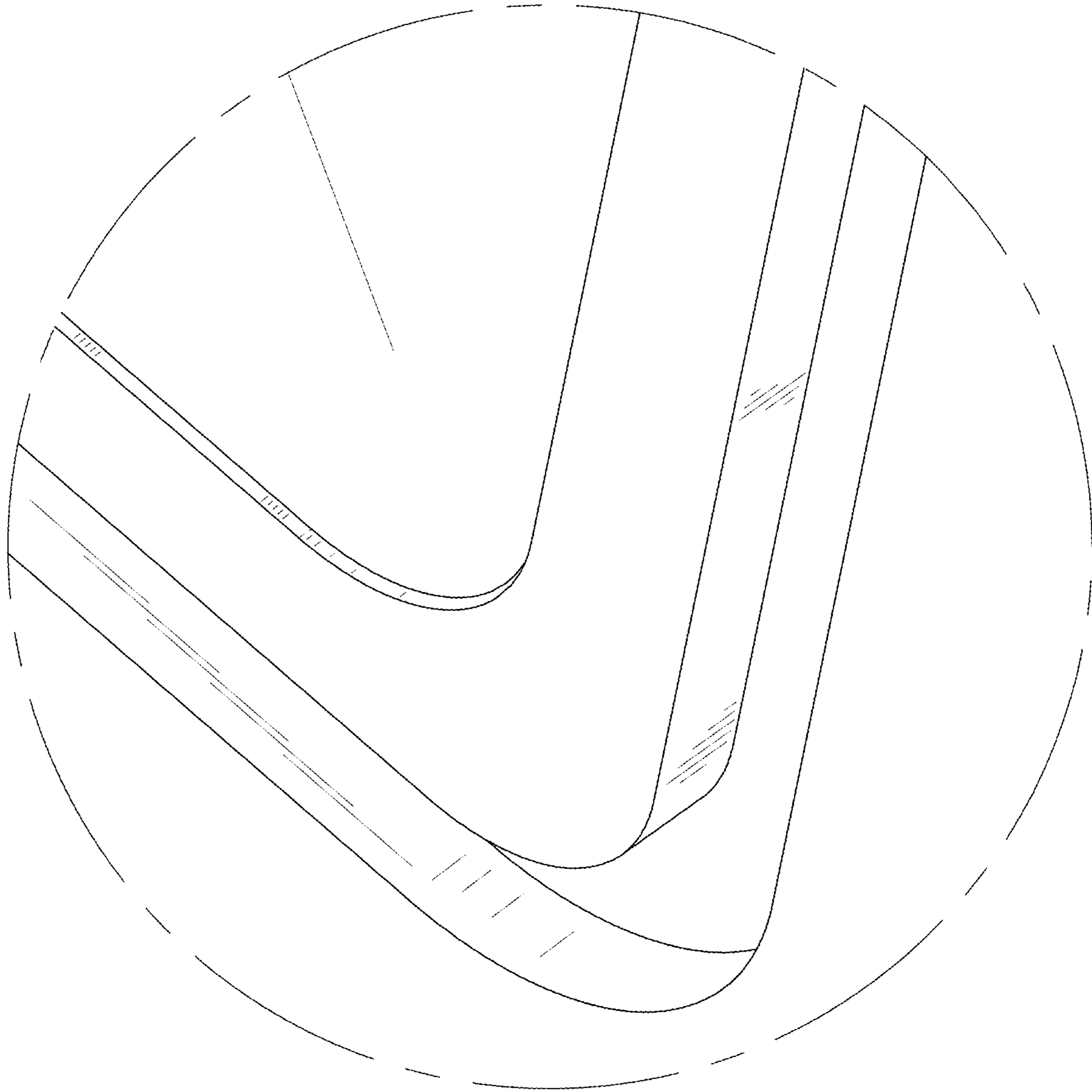


FIG. 10

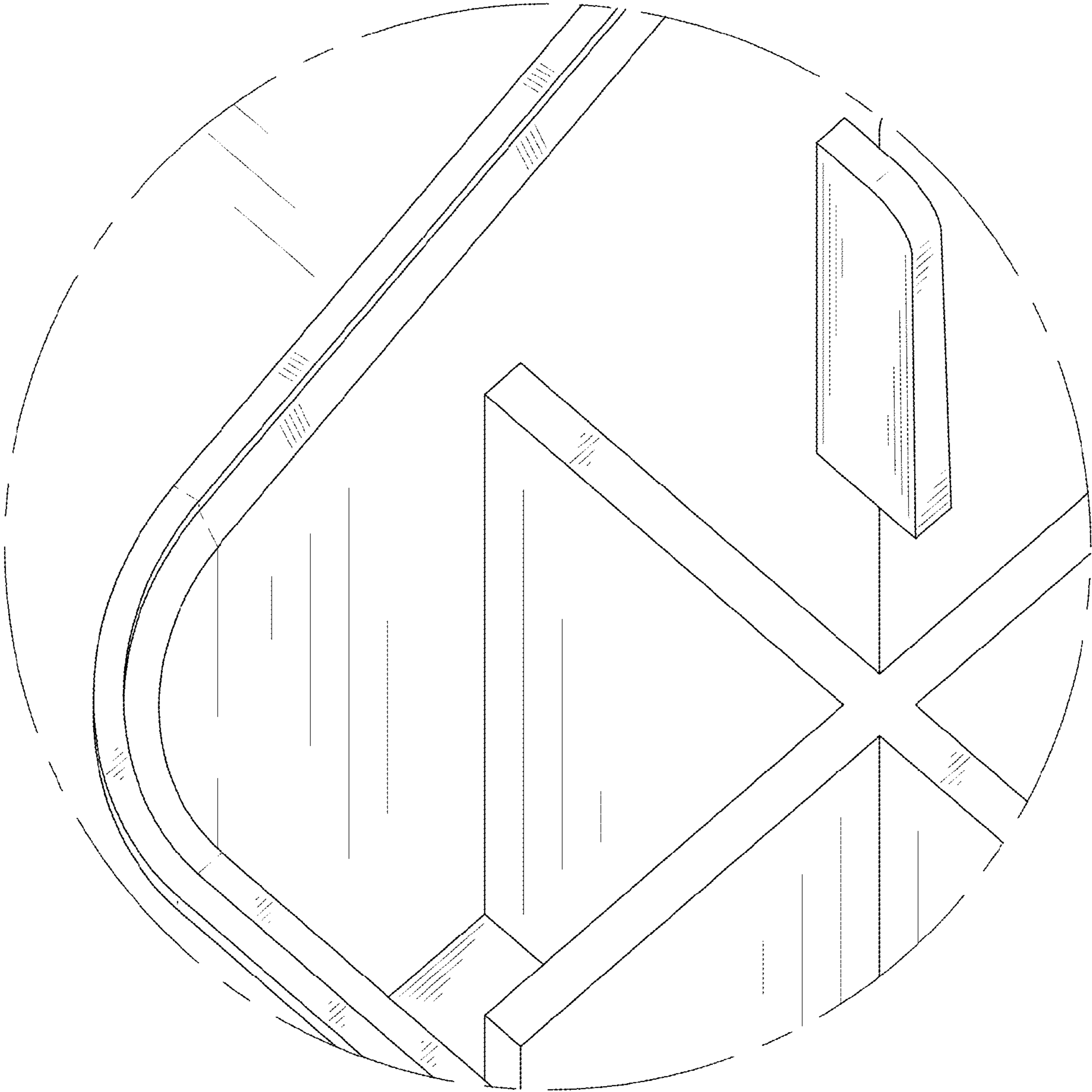


FIG. 11

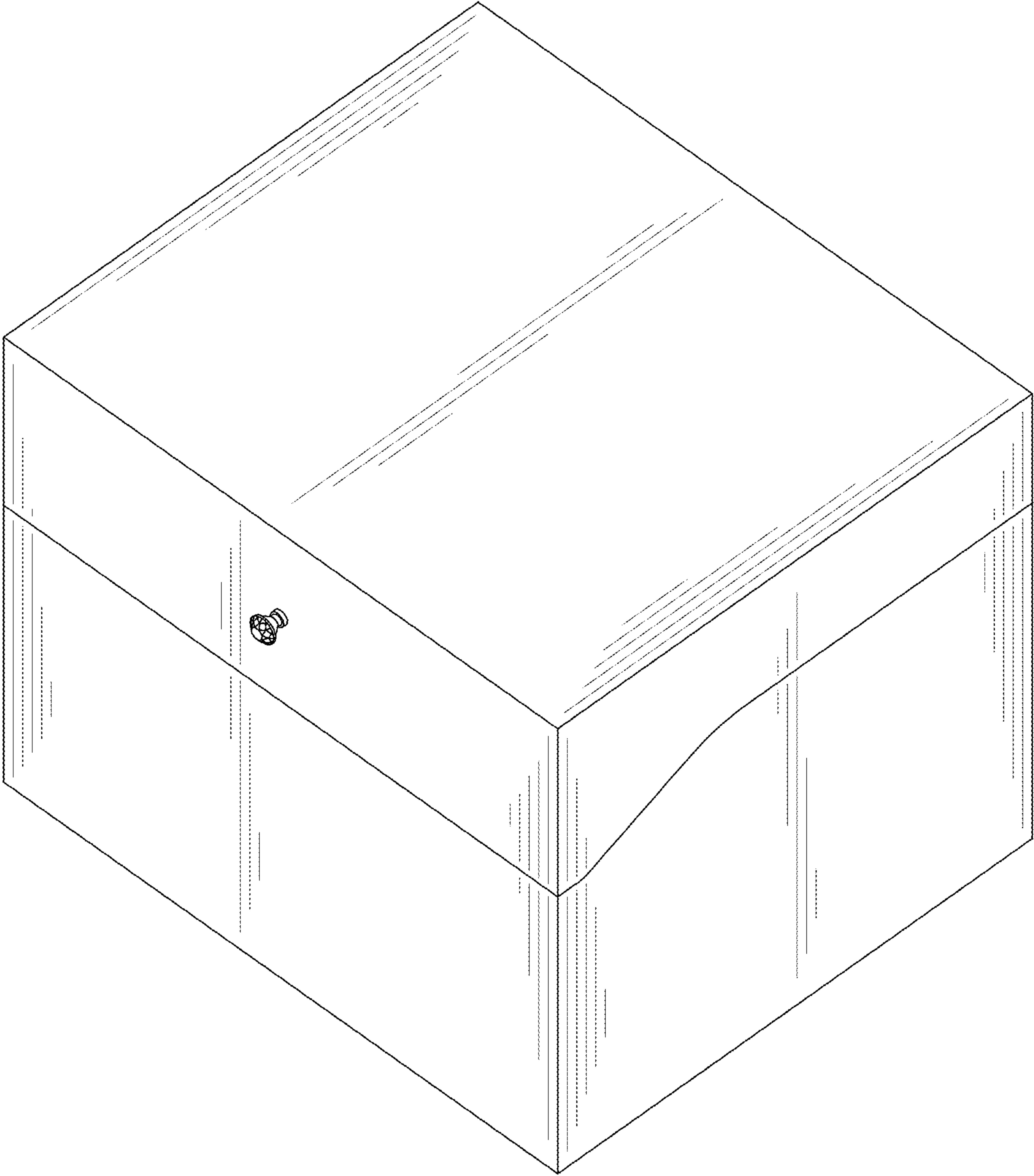


FIG. 12