



US00D963000S

(12) **United States Design Patent** (10) **Patent No.:** **US D963,000 S**
Murthy et al. (45) **Date of Patent:** **** Sep. 6, 2022**

(54) **REFRIGERATION APPARATUS**

(56) **References Cited**

(71) Applicant: **Thermo King Corporation**,
Minneapolis, MN (US)
(72) Inventors: **Shiva Kumar Dakshina Murthy**,
Minneapolis, MN (US); **Prasanna
Kumar**, Minneapolis, MN (US);
Lawrence Hong, Minneapolis, MN
(US)
(73) Assignee: **Thermo King Corporation**,
Minneapolis, MN (US)
(**) Term: **15 Years**

U.S. PATENT DOCUMENTS

D508,118 S *	8/2005	Motonishi	D23/351
D534,267 S *	12/2006	Andersen	D23/370
D600,338 S *	9/2009	Chung	D23/370
D605,271 S *	12/2009	Sata	D23/351
D617,887 S *	6/2010	Sata	D23/351
D628,685 S *	12/2010	Aoyama	D23/351
D649,234 S *	11/2011	Iovanel	D23/351
D681,181 S *	4/2013	Iovanel	D23/351
D683,011 S *	5/2013	Chen	D23/370
8,910,491 B2 *	12/2014	Iovanel	F25B 1/10 62/413
D816,821 S *	5/2018	Tajima	D23/354
D870,161 S *	12/2019	Kreuscher	D15/79
D895,060 S *	9/2020	Qin	D23/209
D903,729 S *	12/2020	Etgar	D15/79

(Continued)

(21) Appl. No.: **29/706,389**

Primary Examiner — Khawaja Anwar

(22) Filed: **Sep. 19, 2019**

(74) *Attorney, Agent, or Firm* — Banner & Witcoff, Ltd.

(30) **Foreign Application Priority Data**

Mar. 20, 2019 (EM) 006317244-0001
Mar. 20, 2019 (EM) 006317244-0003

(57) **CLAIM**

The ornamental design for a refrigeration apparatus, as shown and described.

(51) **LOC (13) Cl.** **15-07**

(52) **U.S. Cl.**
USPC **D15/79**

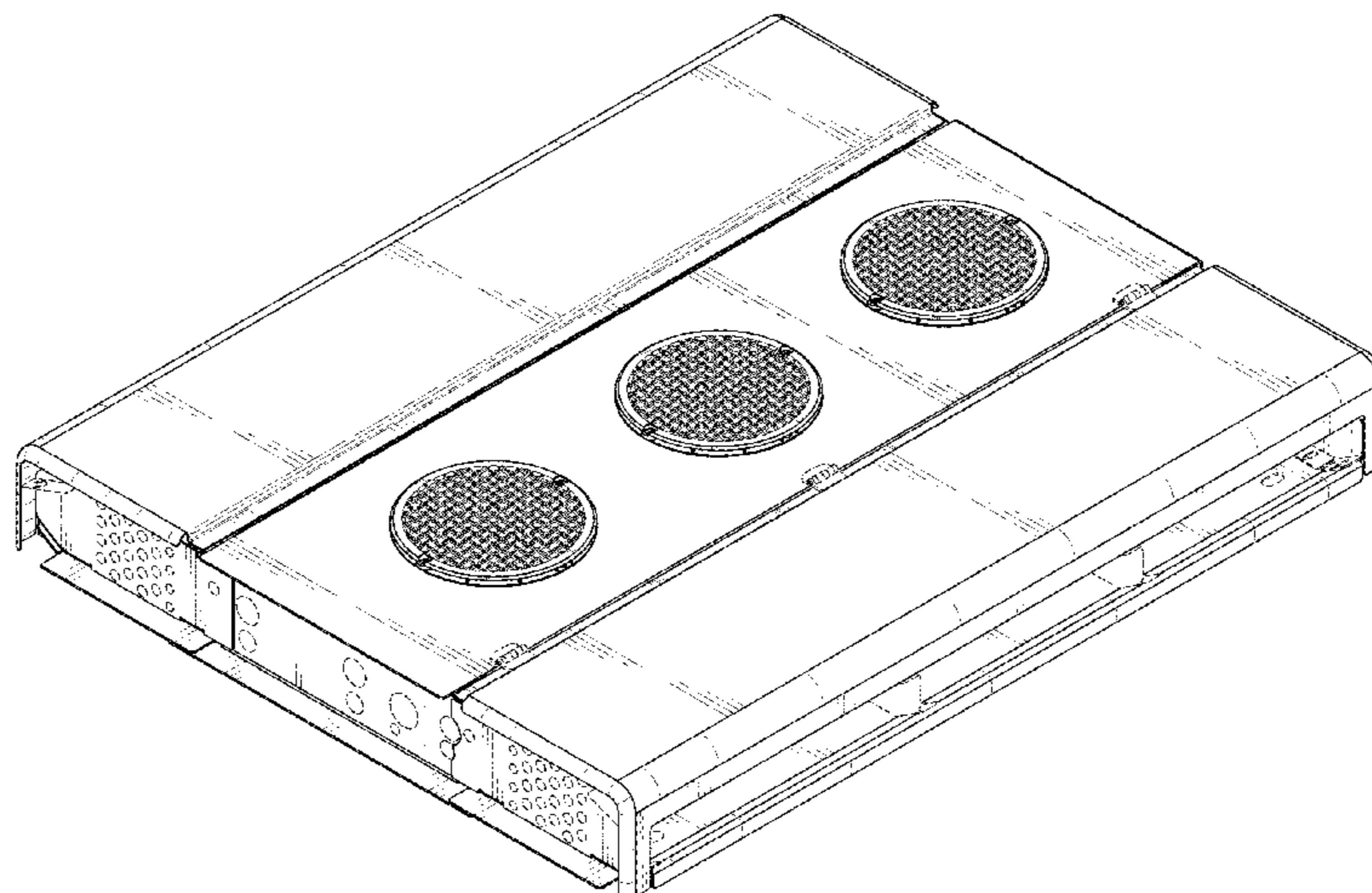
DESCRIPTION

(58) **Field of Classification Search**
USPC D23/385–389, 395, 330, 397, 393, 392,
D23/370, 351, 354; D15/79–91
CPC F24F 2110/10; F24F 11/30; F24F 11/56;
F24F 11/62; F24F 2110/12; F24F
2110/50; F24F 2140/40; F24F 11/46;
F24F 11/52; F24F 11/58; F24F 11/61;
F24F 11/64; F24F 11/65; F24F 11/70;
F24F 13/0254; F24F 13/08; F24F 13/081;
F24F 1/0007; F24F 1/0018; F24F
2110/00; F24F 2110/20; F24F 2120/20;
F24F 2130/10; F24F 2130/20; F24F
2221/34; F24F 5/0096

FIG. 1 is a top, front, right perspective view of a refrigeration apparatus showing the first embodiment our new design;
FIG. 2 is a top plan view;
FIG. 3 is a top, front, right perspective view of a refrigeration apparatus showing the second embodiment our new design;
FIG. 4 is a top plan view;
FIG. 5 is a top, front, right perspective view of a refrigeration apparatus showing the third embodiment our new design; and,
FIG. 6 is a top plan view.

See application file for complete search history.

(Continued)



The broken lines represent unclaimed subject matter and form no part of the claimed design.

1 Claim, 6 Drawing Sheets

(56)

References Cited

U.S. PATENT DOCUMENTS

2010/0319380	A1*	12/2010	Mochizuki	F24F 13/20
				62/426
2012/0167608	A1*	7/2012	Bae	F24F 1/08
				62/296

* cited by examiner

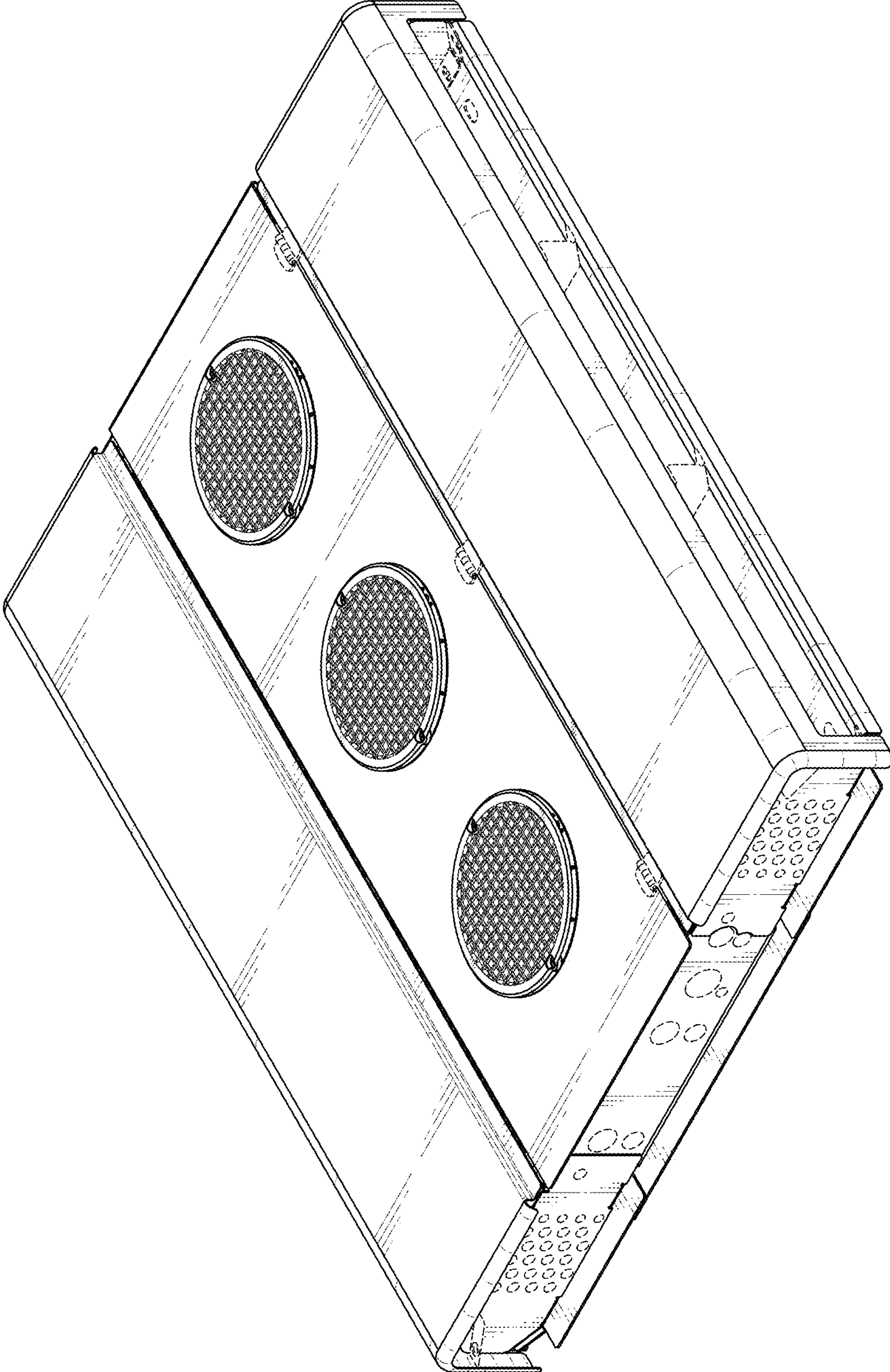


FIG. 1

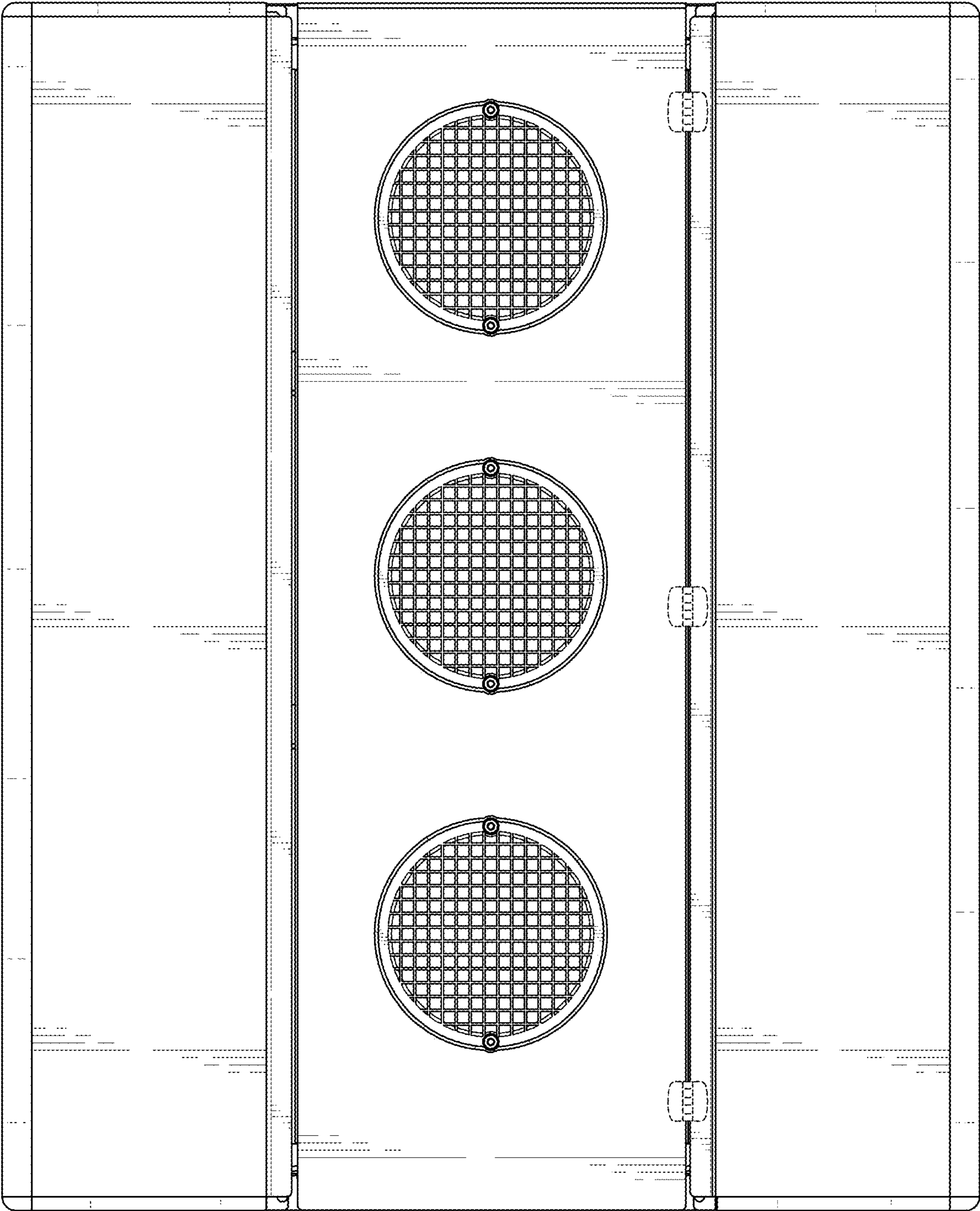


FIG. 2

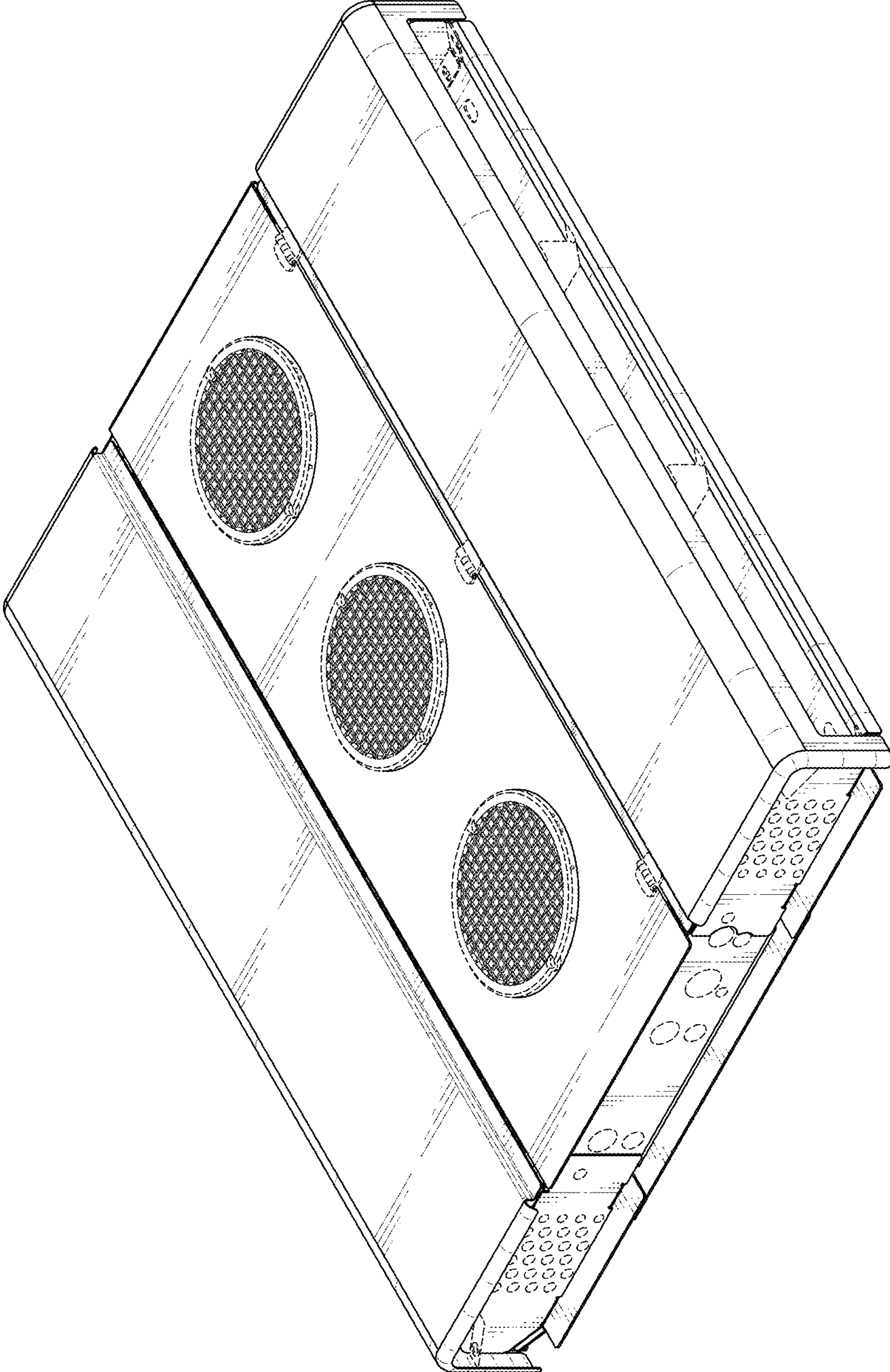


FIG. 3

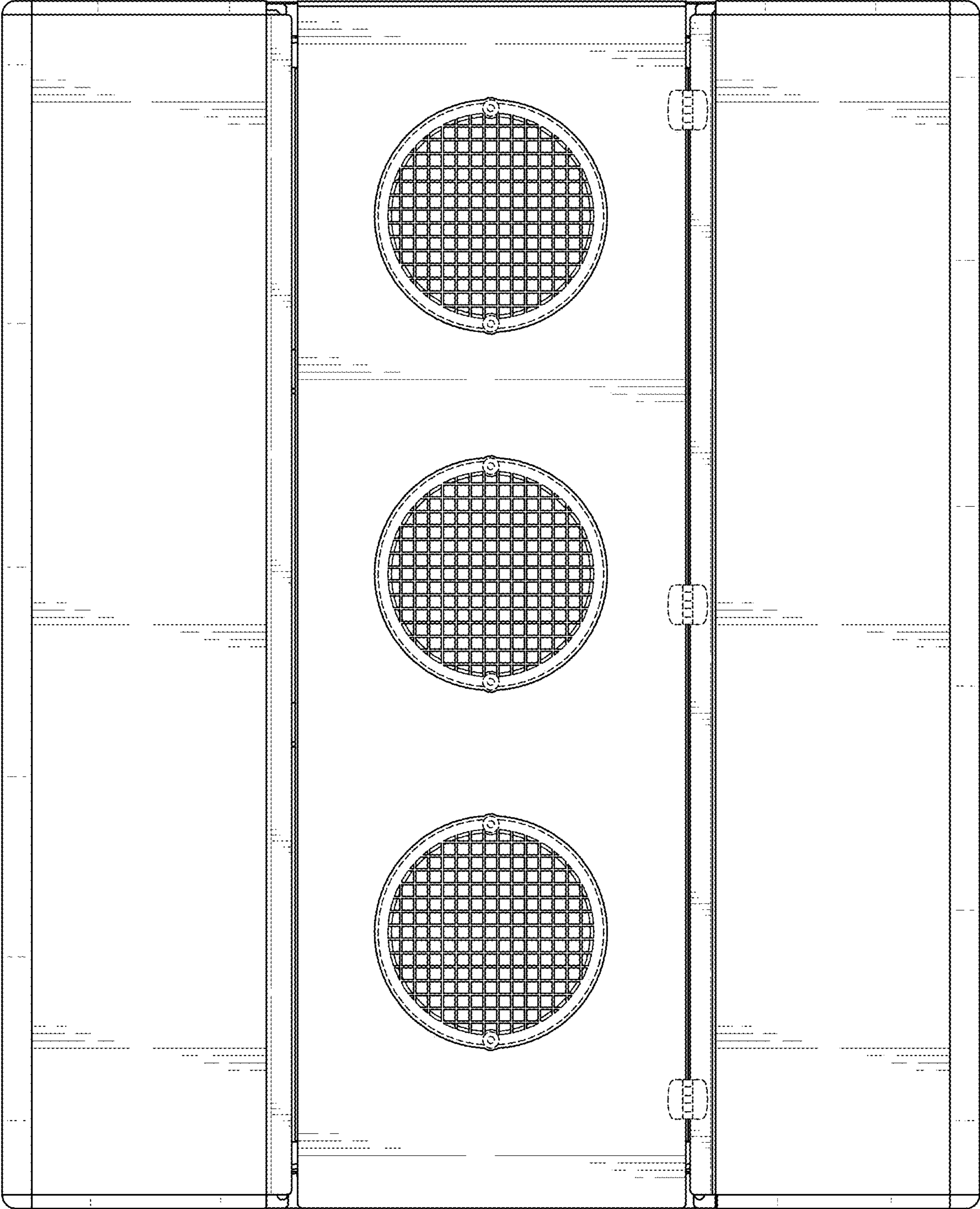


FIG. 4

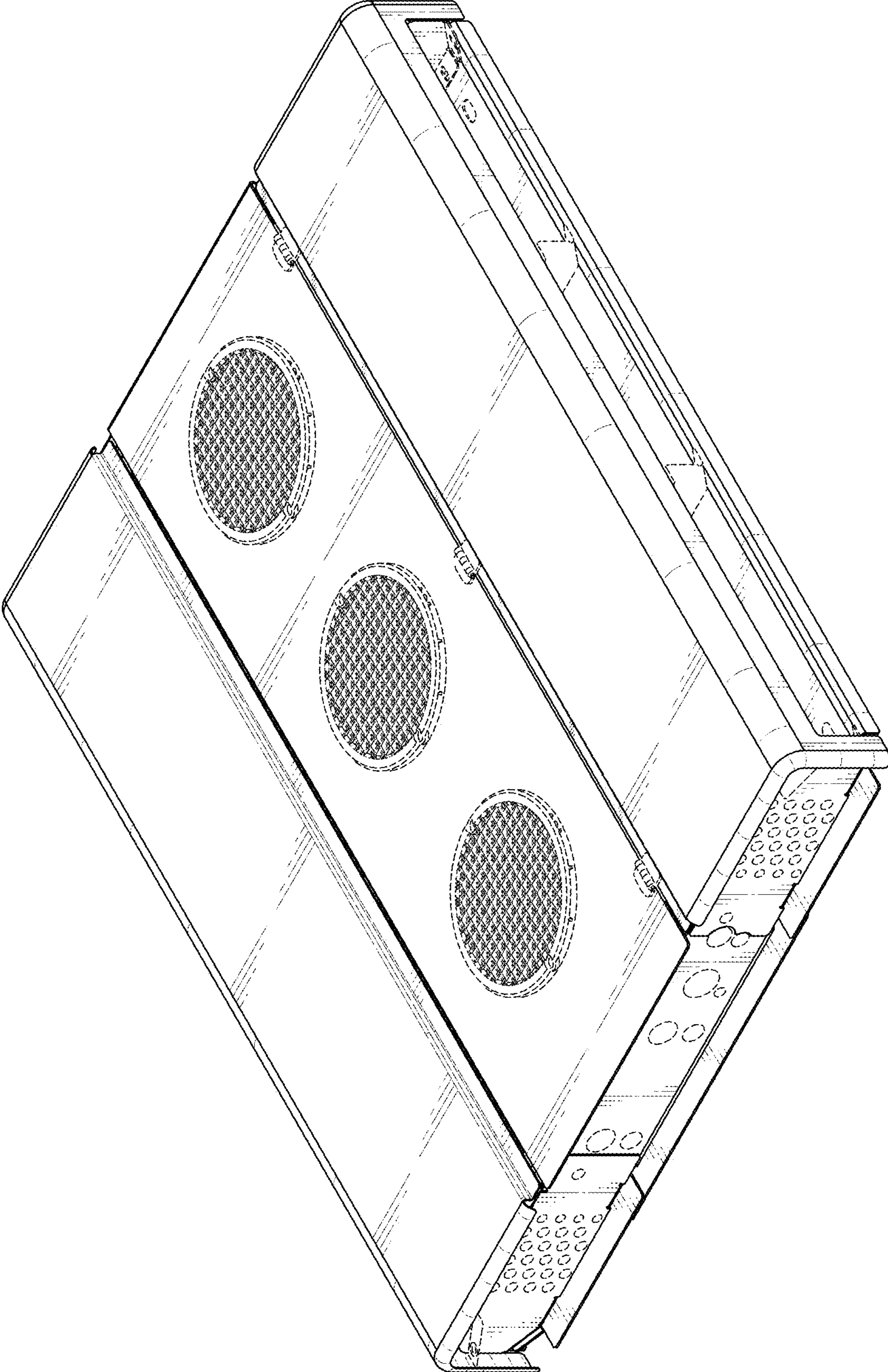


FIG. 5

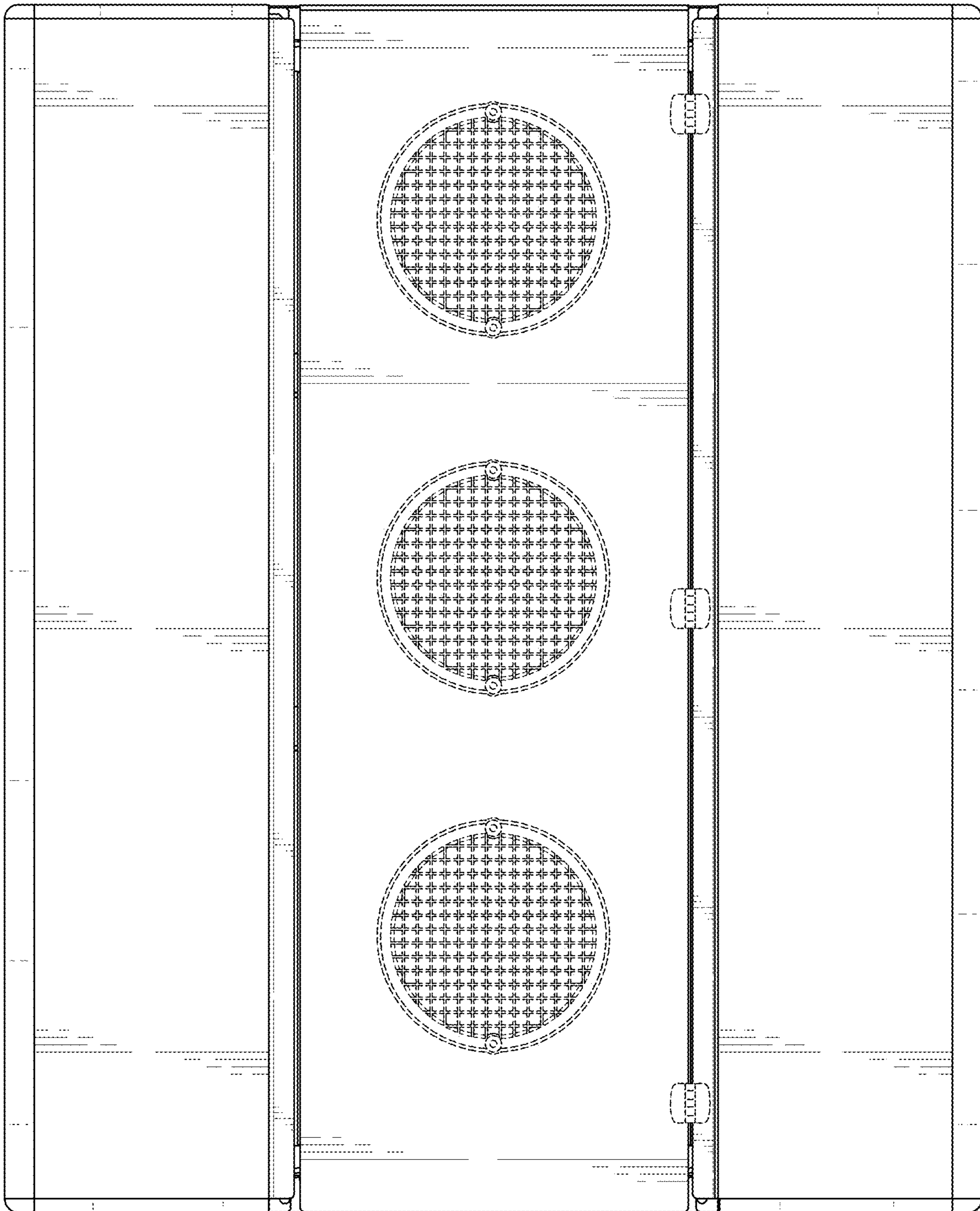


FIG. 6