

US00D962999S

(12) **United States Design Patent** (10) **Patent No.:** **US D962,999 S**
Lonati et al. (45) **Date of Patent:** **** Sep. 6, 2022**

(54) **TEXTILE MACHINE**

OTHER PUBLICATIONS

(71) Applicant: **SANTONI S.P.A.**, Brescia (IT)

Bravo U8 Derby [online] URL: <http://www.macchinericambi.com/en/model/53> (visited Jul. 23, 2021) (Year: 1995).*

(72) Inventors: **Ettore Lonati**, Botticino (IT); **Fausto Lonati**, Brescia (IT); **Andrea Lonati**, Brescia (IT)

(Continued)

(73) Assignee: **SANTONI S.P.A.**, Brescia (IT)

Primary Examiner — Jae Liang
Assistant Examiner — Tia Ruth-Renee Polidori

(**) Term: **15 Years**

(74) *Attorney, Agent, or Firm* — MH2 Technology Law Group LLP

(21) Appl. No.: **29/717,635**

(57) **CLAIM**

(22) Filed: **Dec. 18, 2019**

The ornamental design for a textile machine, as shown and described.

(30) **Foreign Application Priority Data**

DESCRIPTION

Jun. 18, 2019 (EM) 006583290-0001

(51) **LOC (13) Cl.** **15-06**

(52) **U.S. Cl.**

USPC **D15/66; D15/72**

(58) **Field of Classification Search**

USPC D15/66-78; 66/8, 151, 108 R, 17, 178 R, 66/57, 104, 125 R, 20, 64, 13, 132 R, 14, 66/140 S, 145 R, 148, 149 R, 153, 222

(Continued)

FIG. 1 is a perspective view of a textile machine;
FIG. 2 is a top plan view thereof;
FIG. 3 is a bottom plan view thereof;
FIG. 4 is a front elevational view thereof;
FIG. 5 is a rear elevational view thereof;
FIG. 6 is a left-side elevational view thereof;
FIG. 7 is a right-side elevational view thereof;
FIG. 8 is an enlarged perspective view of a portion of FIG. 1;
FIG. 9 is an enlarged top plan view of a portion of FIG. 2;
FIG. 10 is an enlarged bottom plan view of a portion of FIG. 3;
FIG. 11 is an enlarged front elevational view of a portion of FIG. 4;
FIG. 12 is an enlarged rear elevational view of a portion of FIG. 5;
FIG. 13 is an enlarged left-side elevational view of a portion of FIG. 6; and,
FIG. 14 is an enlarged right-side elevational view of a portion of FIG. 7.

(56) **References Cited**

U.S. PATENT DOCUMENTS

1,777,699 A * 10/1930 McAdams D04B 1/02

66/12

1,801,167 A * 4/1931 McAdams D04B 9/06

66/12

(Continued)

FOREIGN PATENT DOCUMENTS

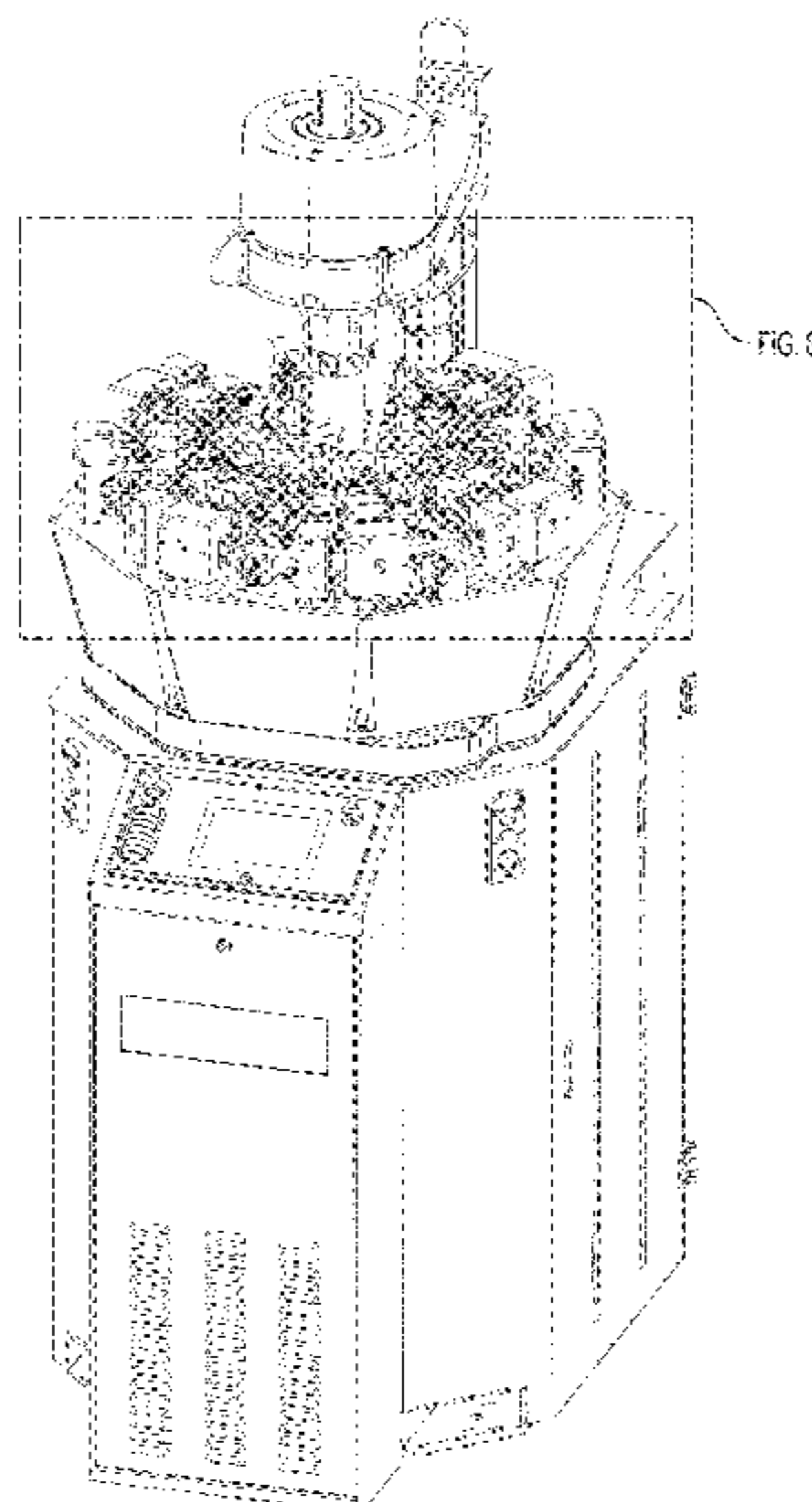
CN 304962794 * 12/2018

EM 006583290-0002 * 7/2019

(Continued)

The dot-dash broken lines in the drawings illustrate partial view indicia that forms no part of the claimed design. The dash-dash broken lines in the drawings depict portions of the textile machine that form no part of the claimed design.

1 Claim, 14 Drawing Sheets



(58) **Field of Classification Search**

CPC . D04B 13/00; D04B 13/02; D04B 9/00–9/58;
D04B 15/06; D04B 15/14; D04B 15/88;
D04B 15/94; D05B 1/00–25/00; D03D
49/12; D03D 49/16

See application file for complete search history.

9,689,094 B2 * 6/2017 Lonati D04B 15/32
9,689,095 B2 * 6/2017 Lonati D04B 15/32
9,702,068 B2 * 7/2017 Lonati D04B 15/82
10,240,266 B2 * 3/2019 Lonati D04B 9/06
D850,496 S * 6/2019 Papenfuss D15/66
D873,308 S * 1/2020 Lonati D15/78
D893,554 S * 8/2020 Lonati D15/66

(56) **References Cited**

U.S. PATENT DOCUMENTS

2,153,019 A * 4/1939 Holmes D04B 9/06
66/24
D198,581 S * 7/1964 Kamp D15/66
3,859,822 A * 1/1975 Renda D04B 9/00
66/8
3,959,992 A * 6/1976 Eschenbach D04B 15/00
66/8
4,033,147 A * 7/1977 King D04B 15/00
66/8
D246,244 S * 11/1977 Current D15/66
D247,900 S * 5/1978 Current D15/66
4,409,800 A * 10/1983 Gutschmit D04B 1/02
66/136
4,539,825 A * 9/1985 Colosio D04B 15/68
66/145 R
4,754,936 A * 7/1988 Dalmau Guell D04B 15/48
226/193
5,156,079 A * 10/1992 El-Shiekh D04C 3/14
87/57
D463,463 S * 9/2002 Zenoni D15/78
6,932,293 B1 * 8/2005 Schmodde D04B 35/14
242/365.6
D541,871 S * 5/2007 Chang D20/7
7,310,976 B1 * 12/2007 Renda D04B 15/38
66/125 R
7,503,190 B1 * 3/2009 Knight, Sr. D04B 9/14
66/191
7,552,602 B2 * 6/2009 Knight, Sr. D04B 1/02
66/9 R
D771,153 S * 11/2016 Lonati D15/66
D771,154 S * 11/2016 Lonati D15/78
D771,156 S * 11/2016 Lonati D15/78
D772,958 S * 11/2016 Lonati D15/78
9,683,321 B2 * 6/2017 Lonati D04B 15/322

FOREIGN PATENT DOCUMENTS

EM 006583290-0010 * 7/2019
EM 006583290-0011 * 7/2019
EM 006583290-0012 * 7/2019
GB 9006583290-0011 * 6/2019
GB 9006583290-0012 * 6/2019
IL 55790 * 7/2016
MX 46545-0001 * 4/2016

OTHER PUBLICATIONS

Federal Filler [online] URL: <https://www.fraingroup.com/products/federal-filler-liquid-gravpress-g185-18-head-rotary-filler/> (visited Jul. 23, 2021) (Year: 2021).*

New body-size continuous fabric machines from Santoni, Industry [online] URL: <https://www.knittingindustry.com/new-bodysize-continuous-fabric-machines-from-santoni/> (visited Jul. 23, 2021) (Year: 2012).*

SANT-MMF-SM8EJ-2019 [online] URL: <https://www.santoni.com/pdfgenerati/SANT-MMF-SM8EJ-ENG-2.pdf> (visited Jul. 23, 2021) (Year: 2019).*

SANT-MMF-SM8TOP4J-2019 [online] URL: <https://www.santoni.com/pdfgenerati/SANT-MMF-SM8TOP4J-ENG-1.pdf> (visited Jul. 23, 2021) (Year: 2019).*

SANT-MMF-SM8TV2-2019 [online] URL: <https://www.santoni.com/pdfgenerati/SANT-MMF-SM8TV2-ENG-2.pdf> (visited Jul. 23, 2021) (Year: 2019).*

Santoni takes part in Textile Evolution [online] URL: <https://www.knittingindustry.com/santoni-takes-part-in-textile-evolution/> (visited Jul. 23, 2021) (Year: 2012).*

Top2 Fast Santoni [online] URL: <https://web.archive.org/web/20161122022000/http://www.santoni.cn/en/top2-fast> (visited Jul. 23, 2021) (Year: 2016).*

* cited by examiner

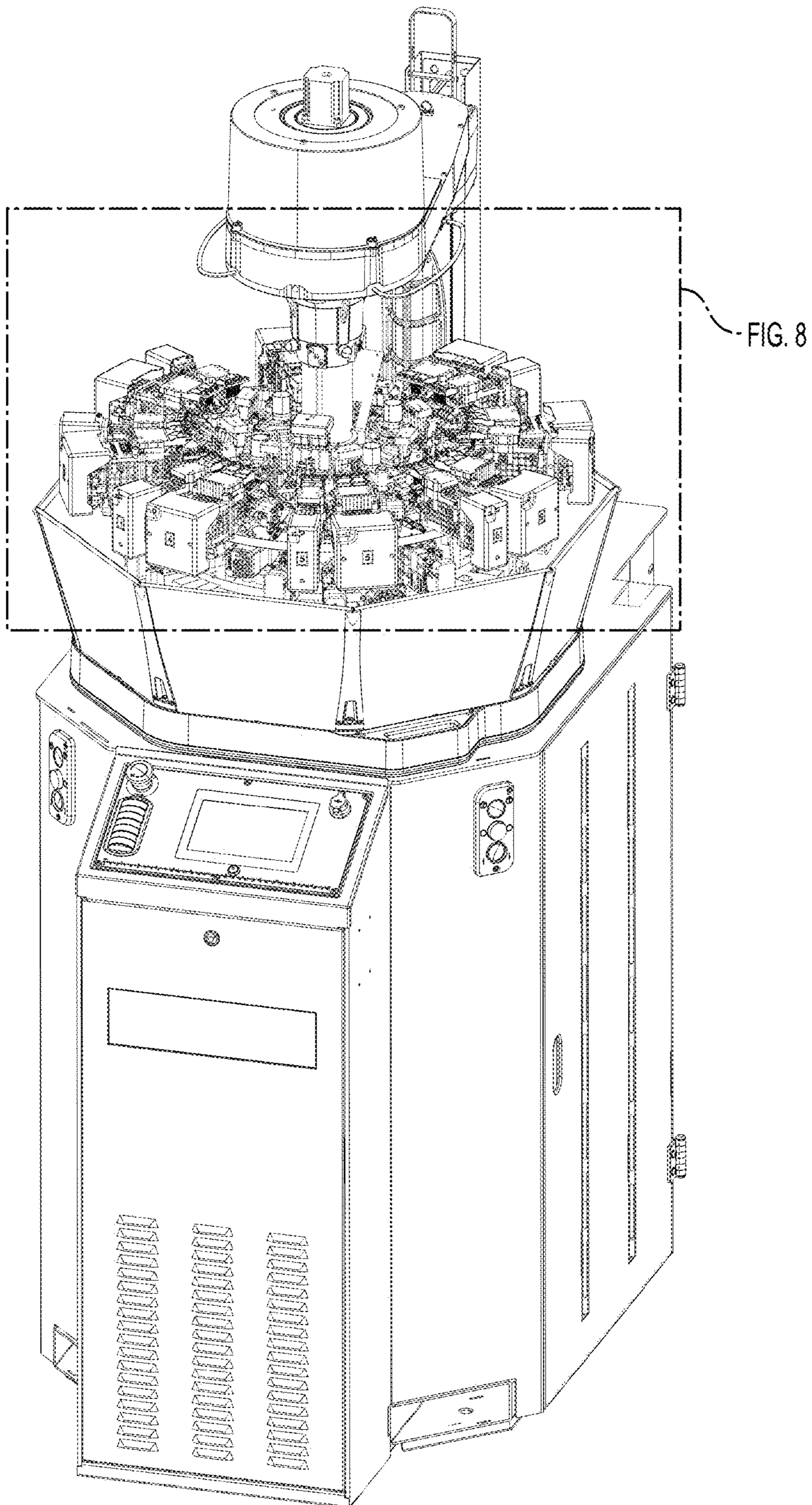


FIG. 1

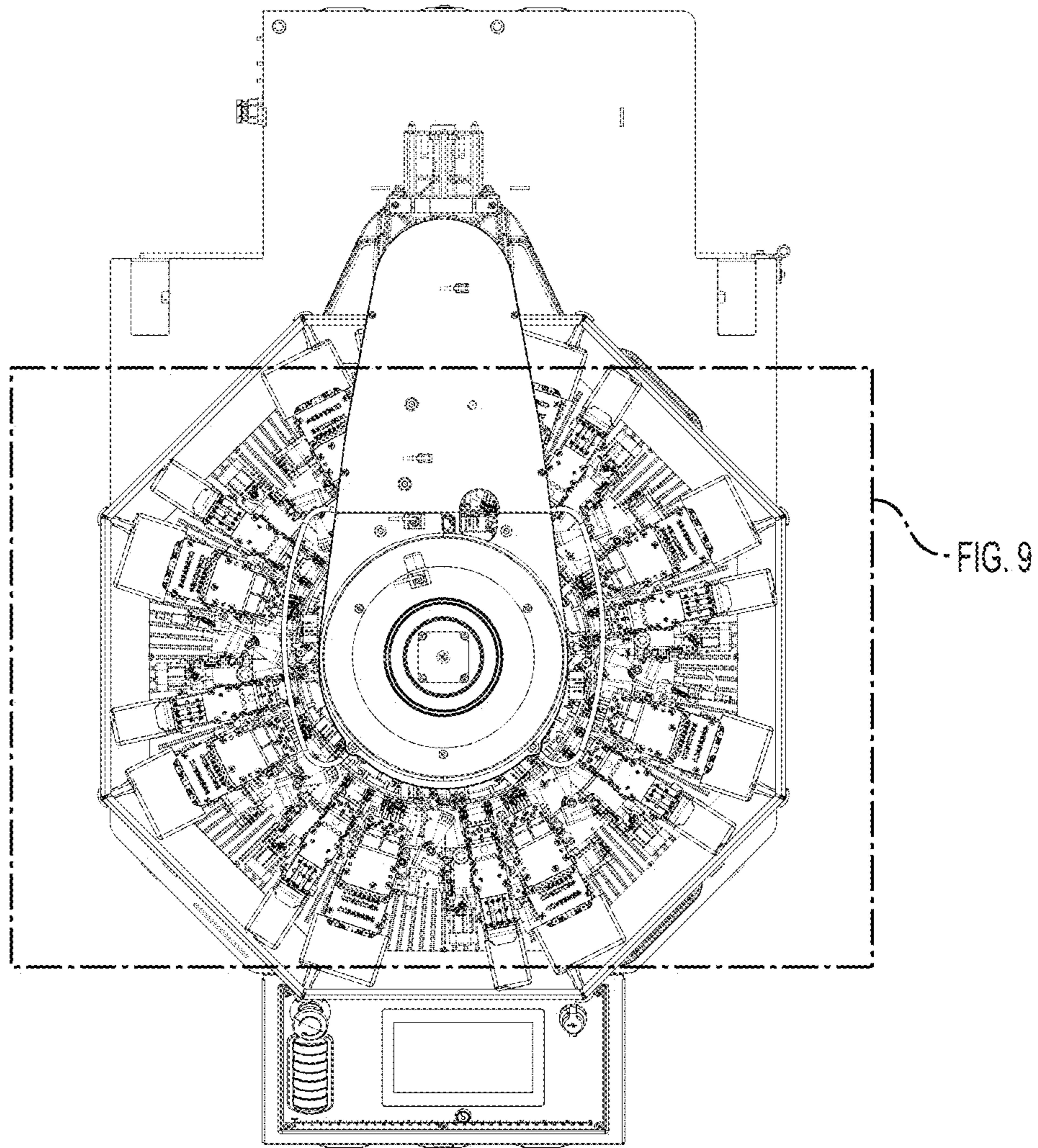


FIG. 2

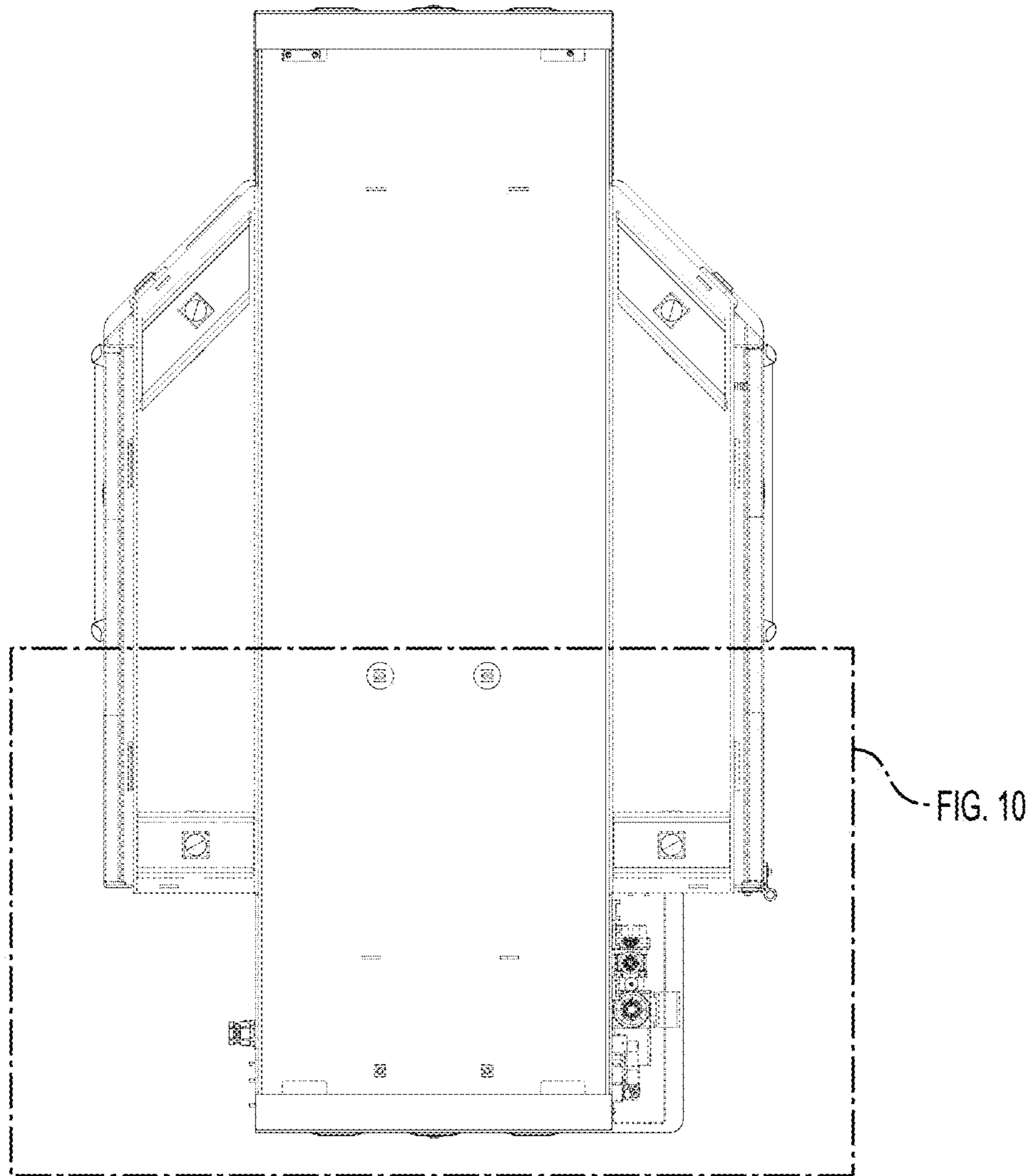


FIG. 3

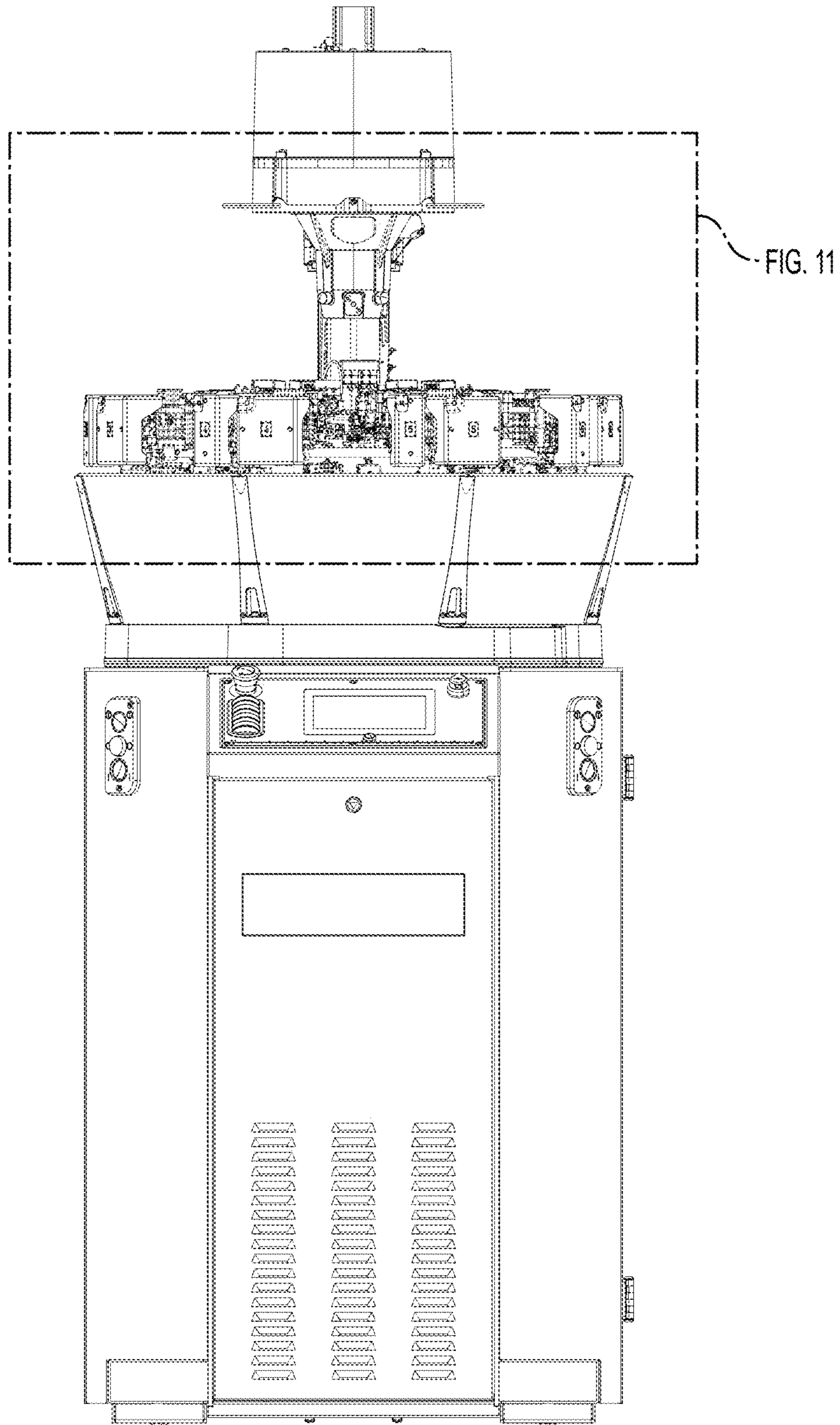


FIG. 4

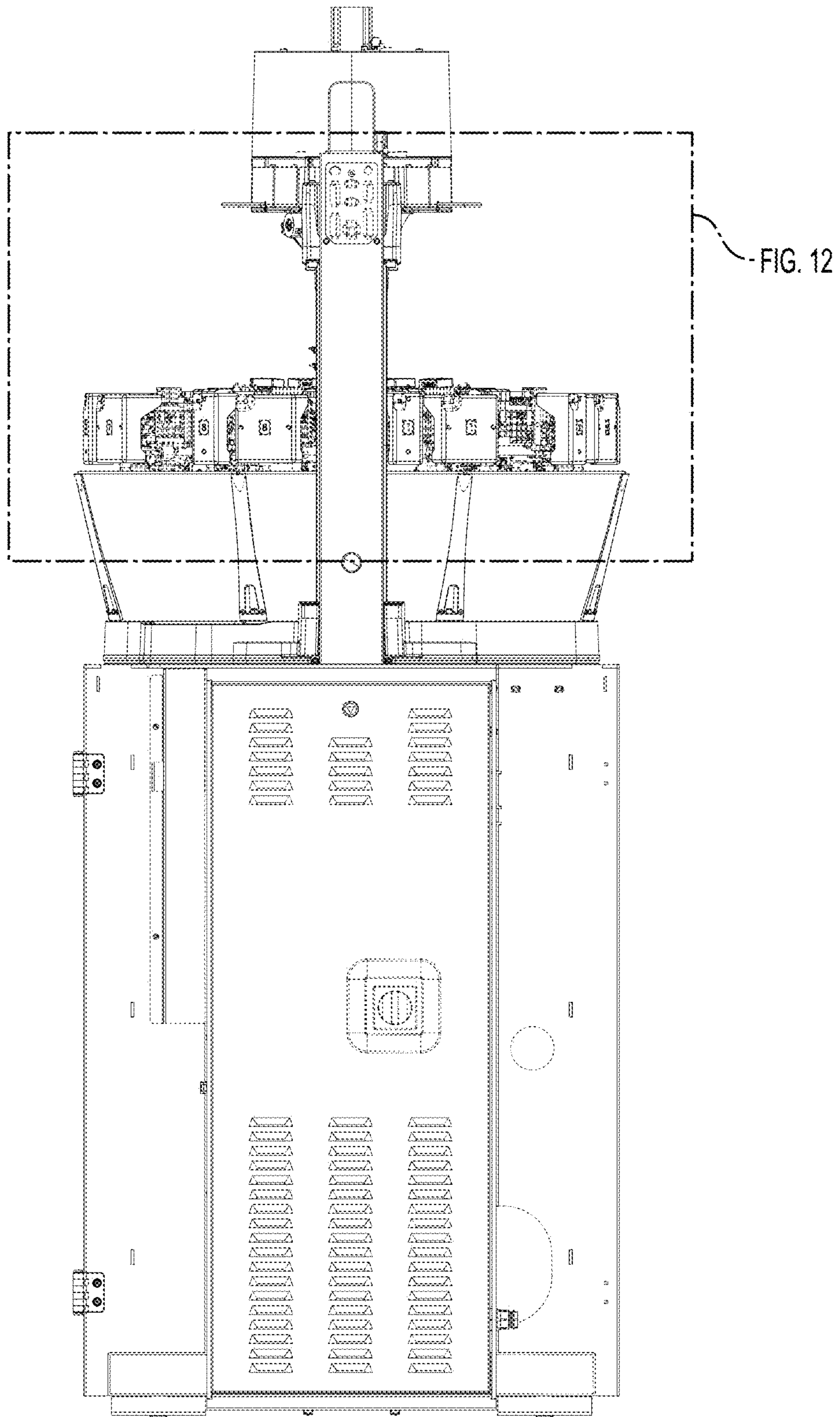


FIG. 5

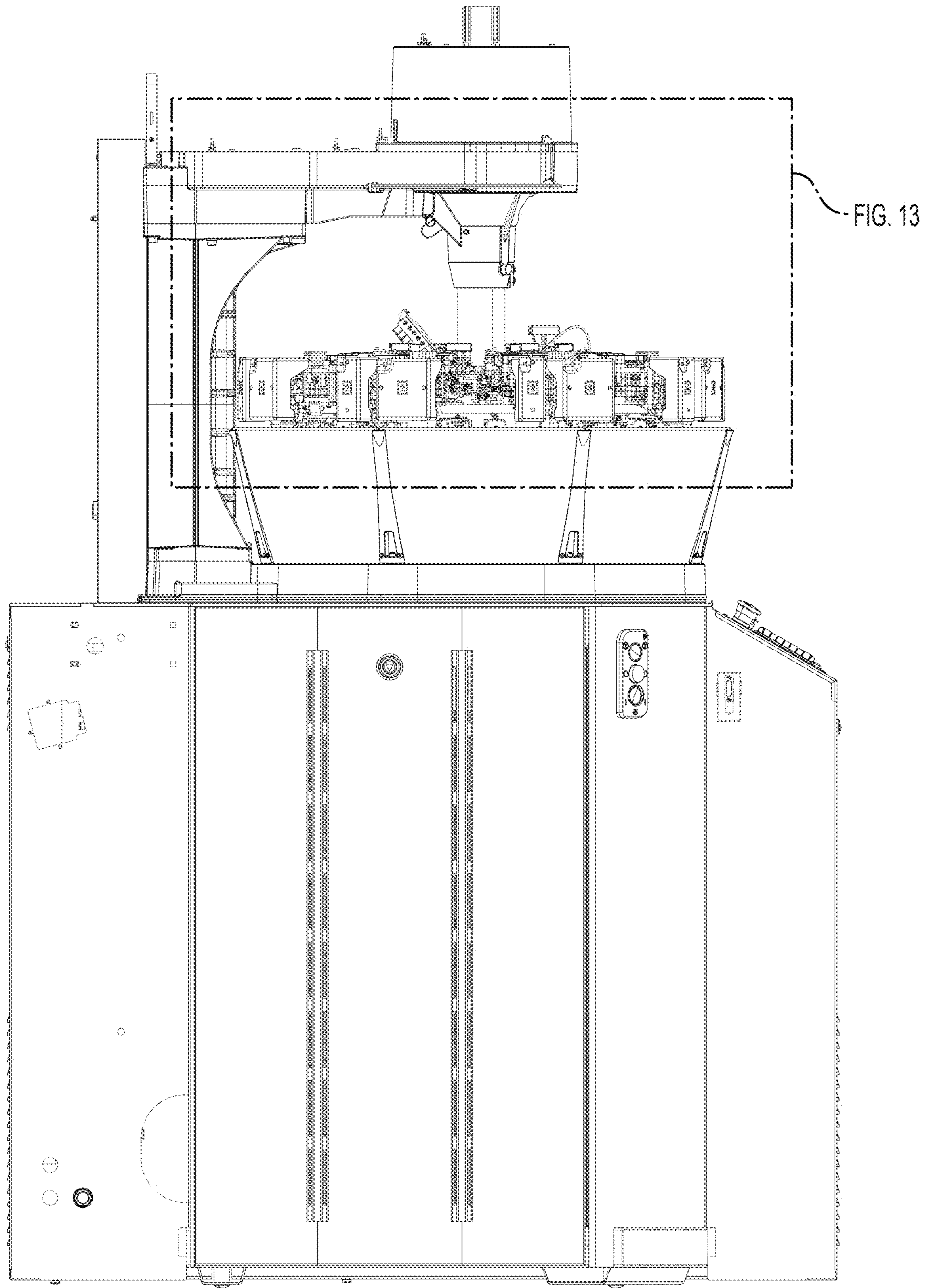


FIG. 6

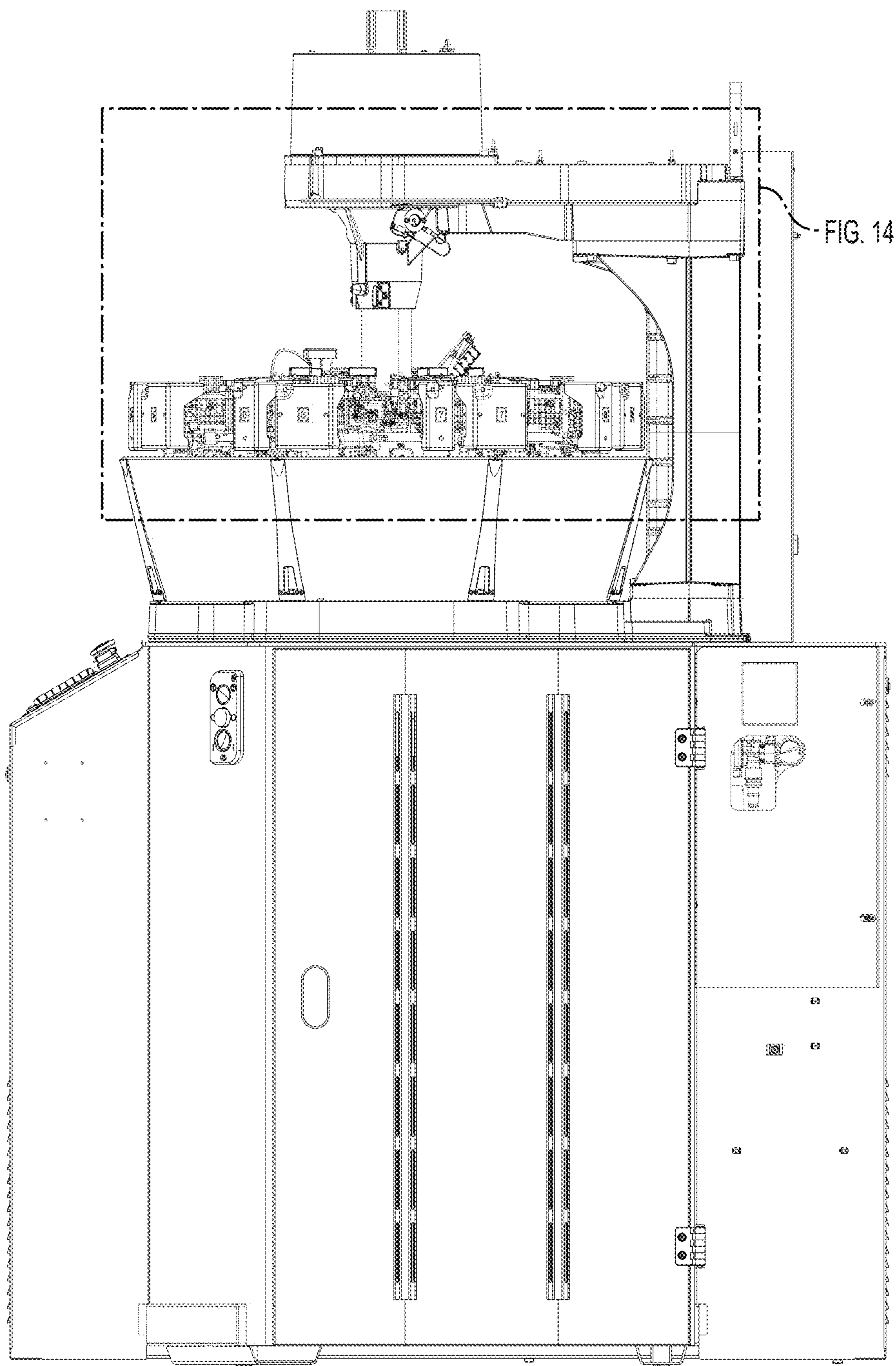


FIG. 7

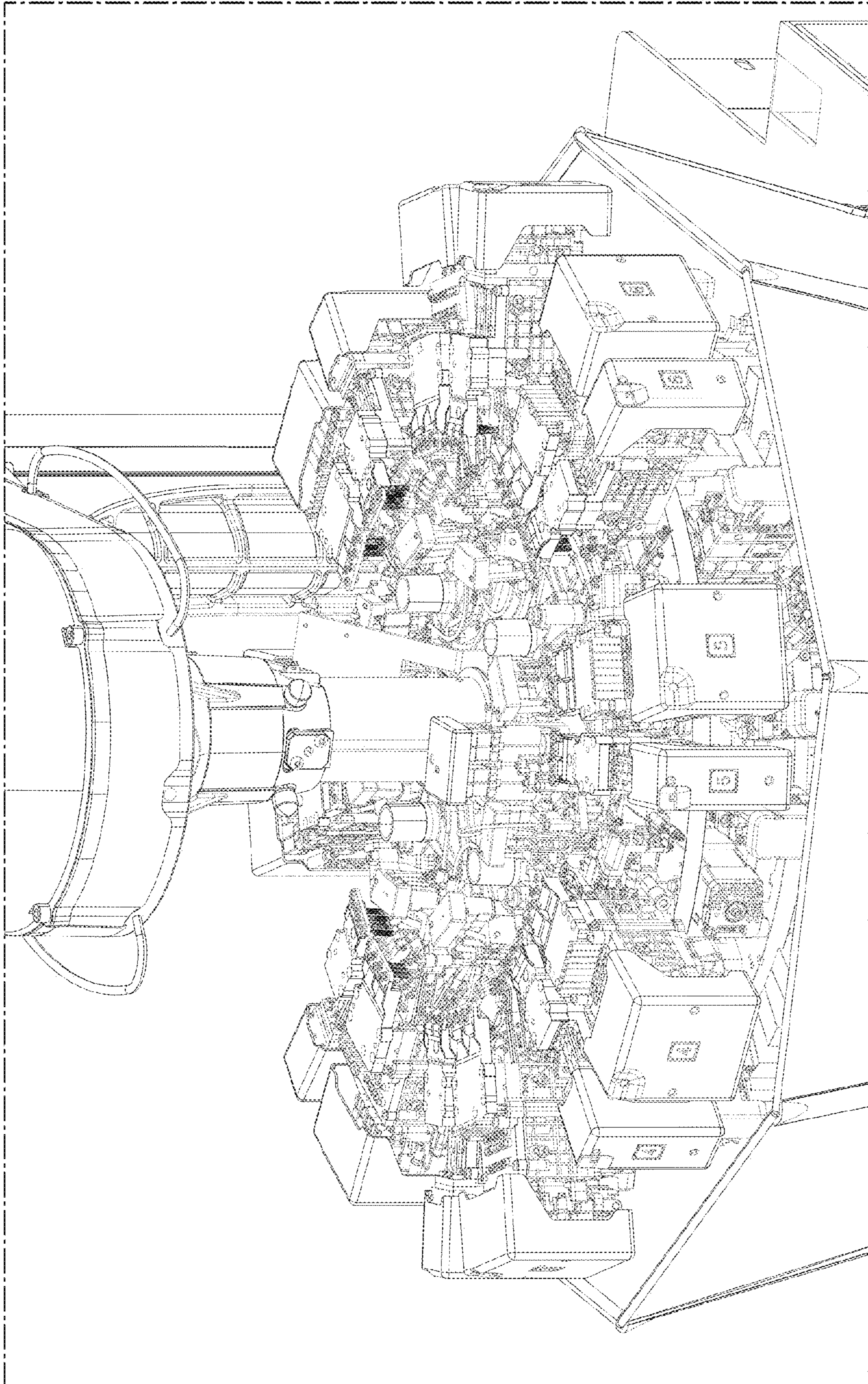


FIG. 8

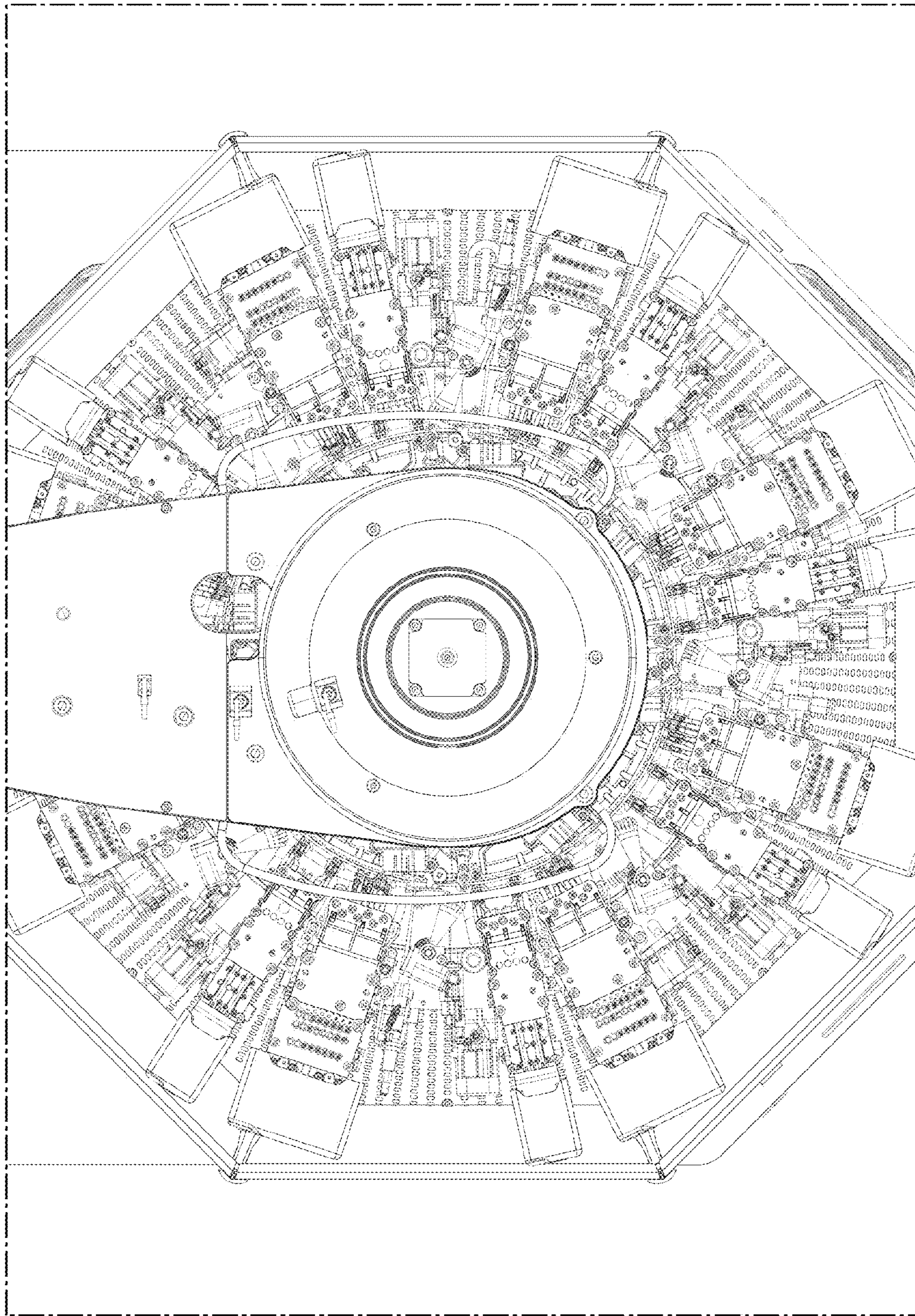


FIG. 9

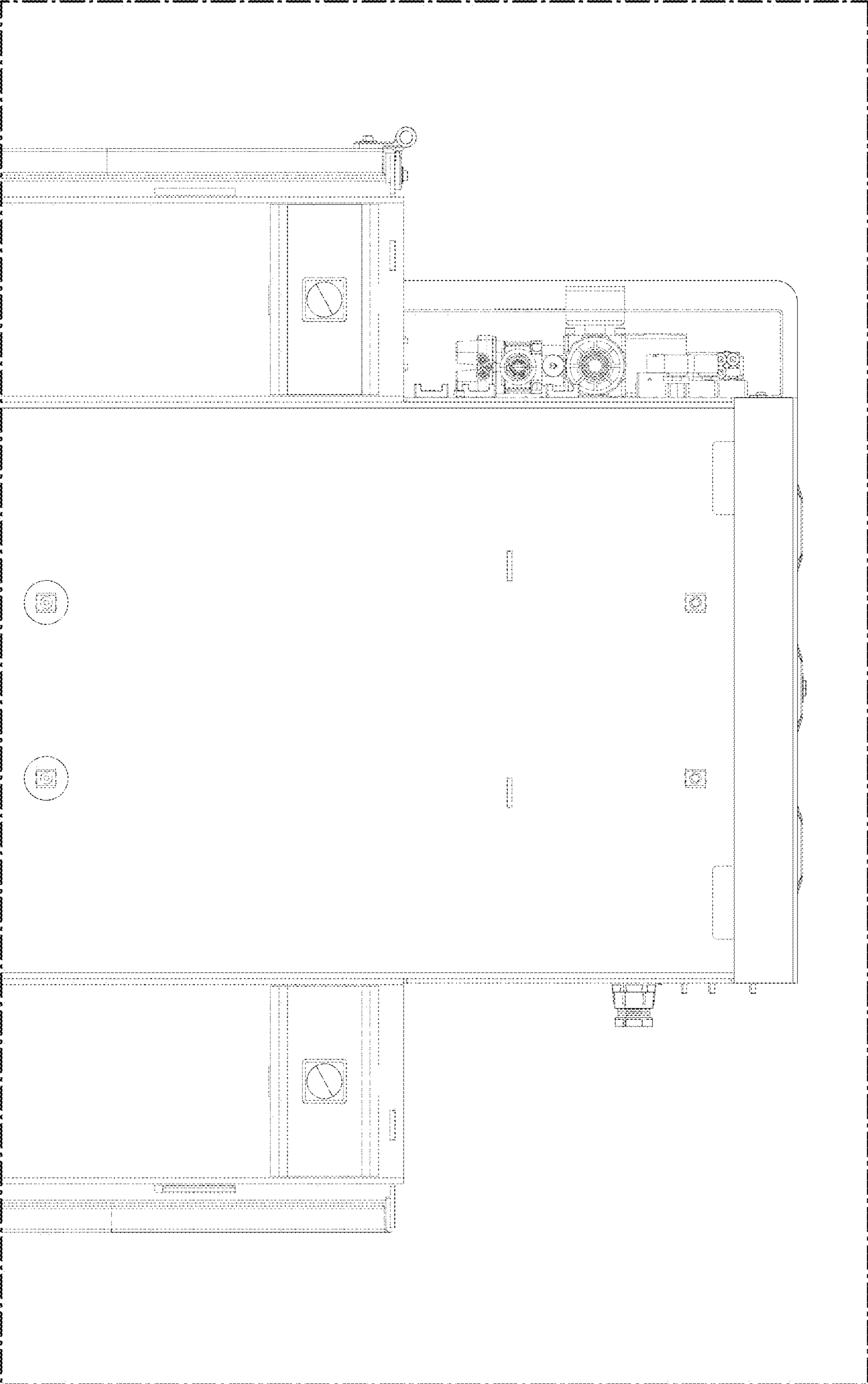


FIG. 10

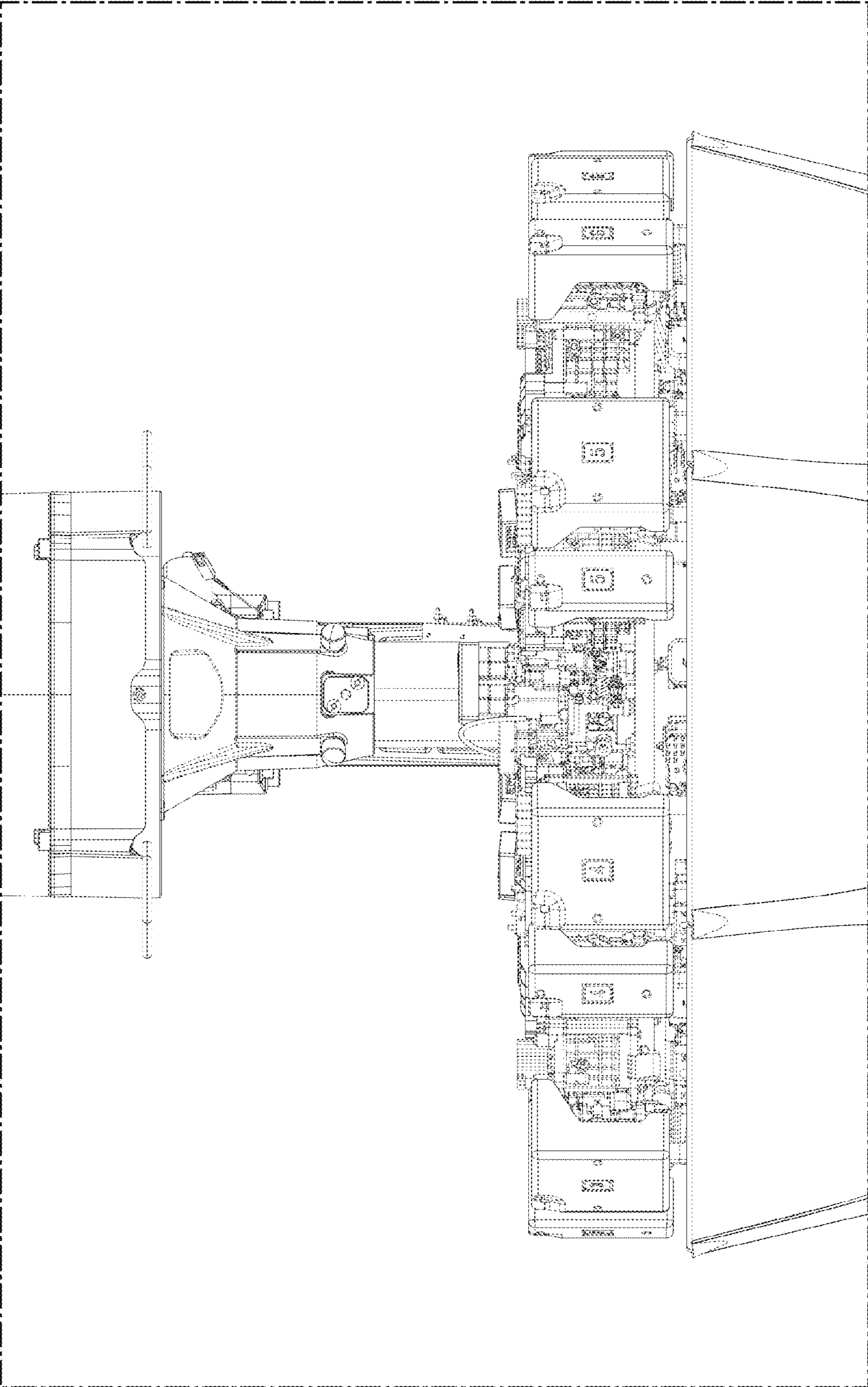


FIG. 11

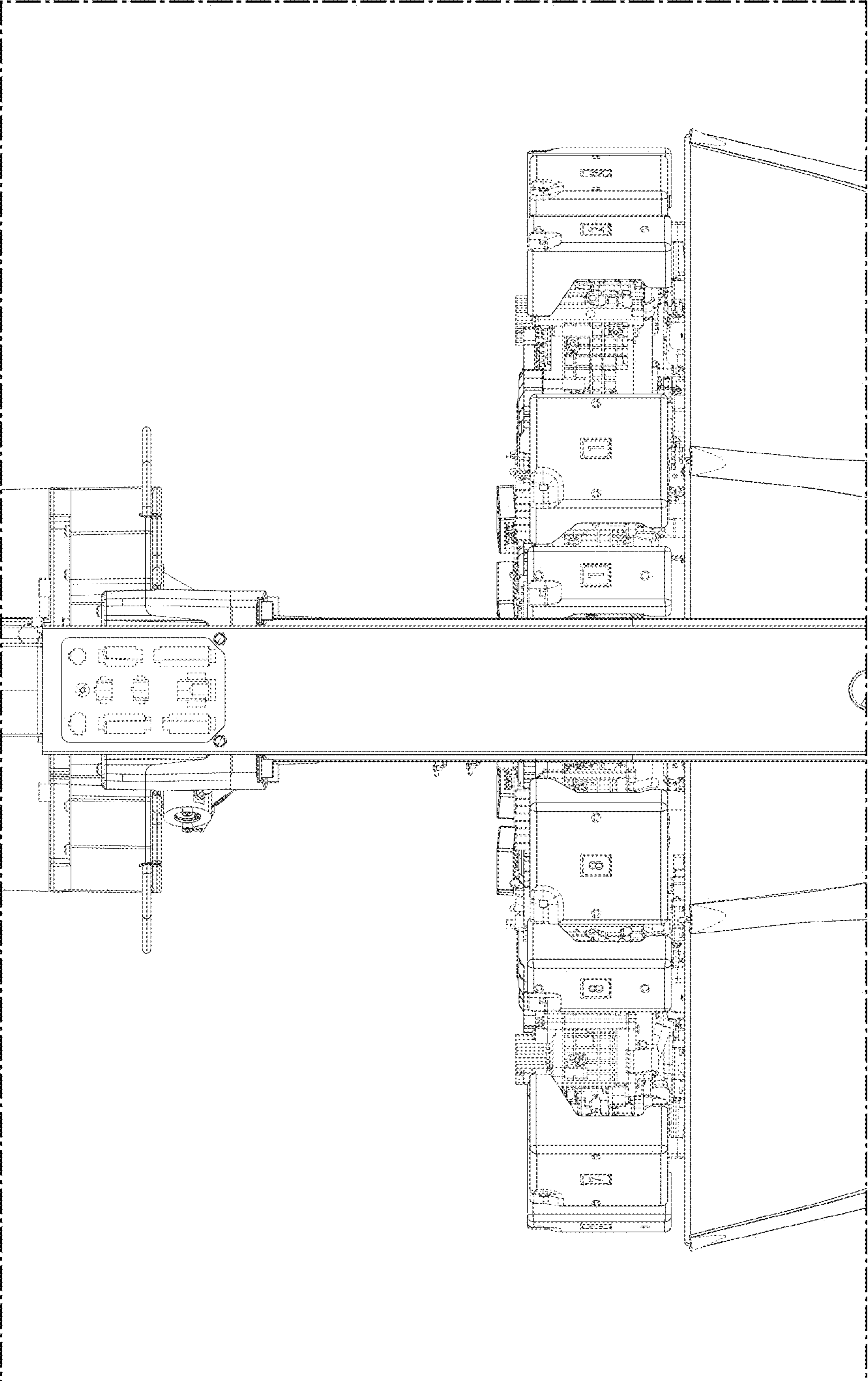


FIG. 12

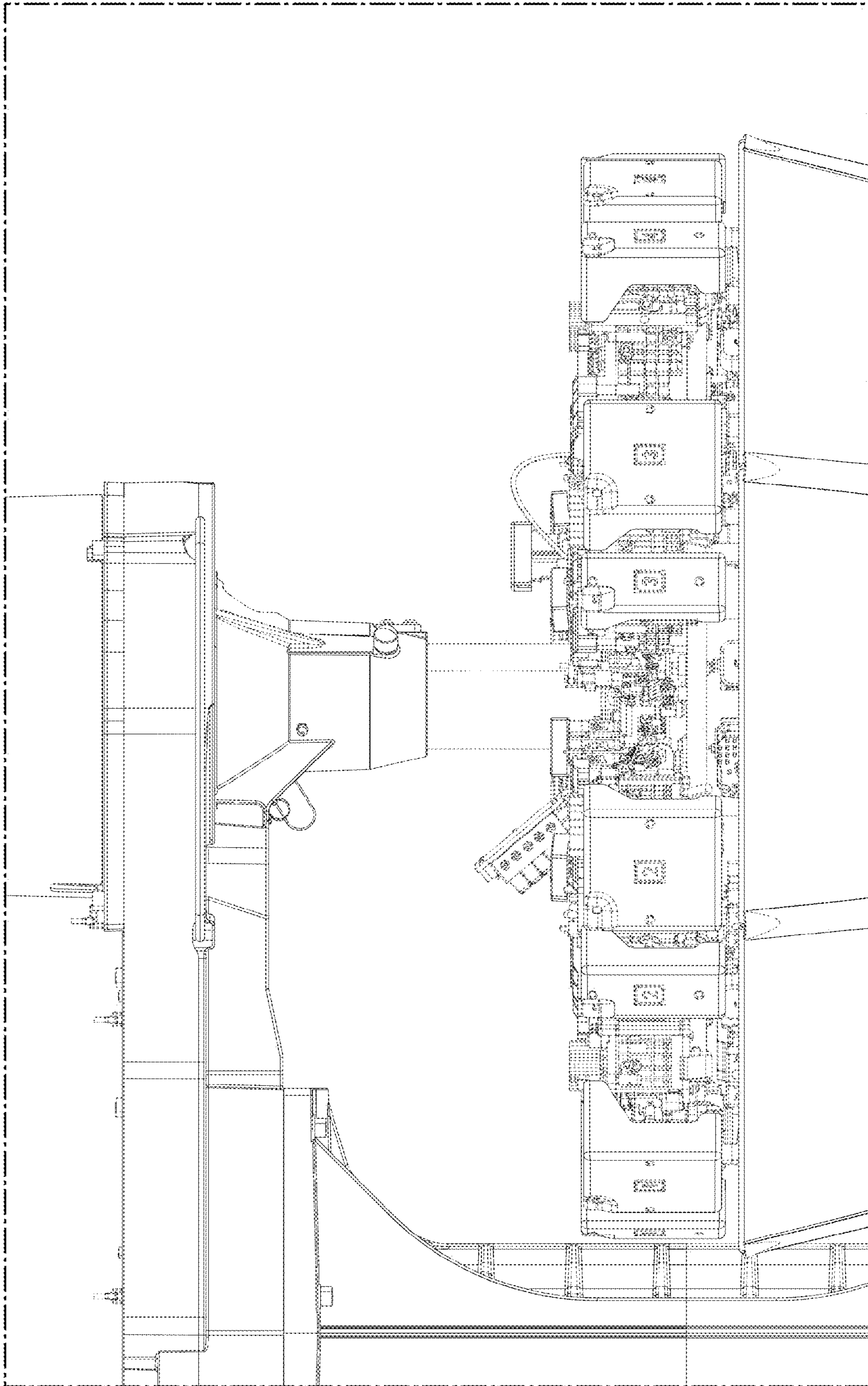


FIG. 13

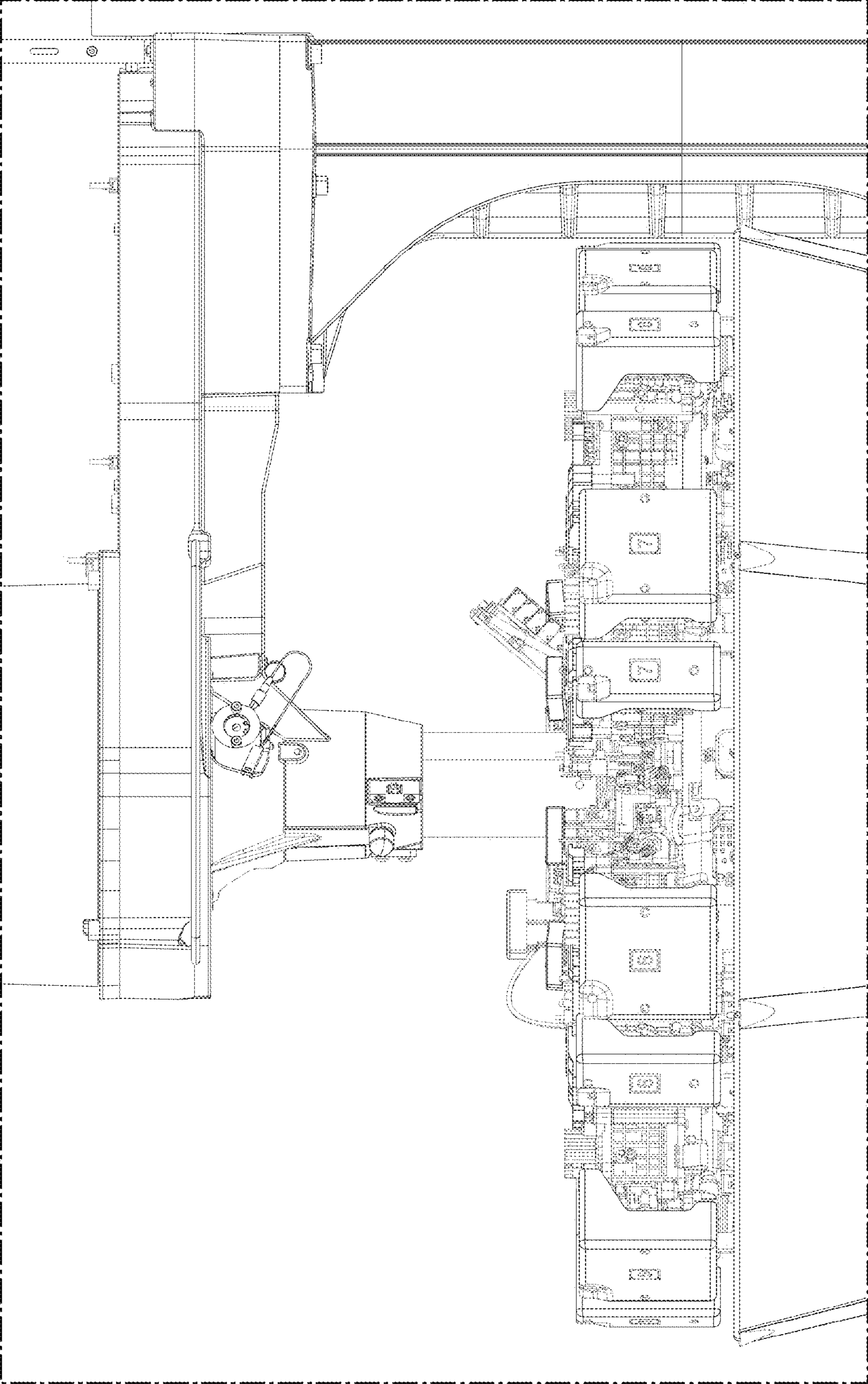


FIG. 14