



US00D962998S

(12) **United States Design Patent** (10) **Patent No.:** **US D962,998 S**
Pfaffmann et al. (45) **Date of Patent:** **** Sep. 6, 2022**

(54) **HOOD FOR A WORK MACHINE**
(71) Applicant: **DEERE & COMPANY**, Moline, IL (US)
(72) Inventors: **Simon Pfaffmann**, Mannheim (DE); **Nicolai Tarasinski**, Frankenthal (DE); **Volker Kegel**, Mannheim (DE)
(73) Assignee: **DEERE & COMPANY**, Moline, IL (US)

(**) Term: **15 Years**
(21) Appl. No.: **29/748,601**
(22) Filed: **Aug. 31, 2020**

Related U.S. Application Data

(63) Continuation-in-part of application No. 16/946,775, filed on Jul. 6, 2020, and a continuation-in-part of application No. 16/810,487, filed on Mar. 5, 2020.

Foreign Application Priority Data

Mar. 18, 2019 (DE) 102019203653.8
Mar. 5, 2020 (DE) 102019211496.2

(51) **LOC (13) Cl.** **15-03**

(52) **U.S. Cl.**
USPC **D15/31**

(58) **Field of Classification Search**

USPC D15/10, 14, 15, 22-26, 33; 180/69.2, 180/89.1, 89.12, 900; 56/12.7, 15.8, 16.7, 56/13.3, 10.1, 202, 320.1
CPC A01B 51/026; B62D 49/02; B62D 33/06; B62D 33/0604; B62D 33/0617; B62D 25/10; B60K 15/063; B60K 15/073; B60K 2015/0637; A01D 2101/00; A01D 34/008; A01D 34/6806; A01D 42/00; A01D 43/063; A01D 93/00

See application file for complete search history.

(56) **References Cited**

U.S. PATENT DOCUMENTS

D759,129 S * 6/2016 Kushita D15/31
D766,340 S * 9/2016 Jackson D15/31
D778,963 S * 2/2017 Yang D15/31
D785,681 S * 5/2017 Okuyama D15/31
D804,539 S * 12/2017 Okuyama D15/31
D837,837 S * 1/2019 Park D15/31
D843,421 S * 3/2019 Gonzales D15/31

(Continued)

FOREIGN PATENT DOCUMENTS

CN 200938740 Y 8/2007
DE 102017217481 A1 4/2019

(Continued)

OTHER PUBLICATIONS

Aebi Schmidt, EC 170 /130 Electrical implement carrier brochure, Mar. 2019.

Primary Examiner — Mark A Goodwin

(57) **CLAIM**

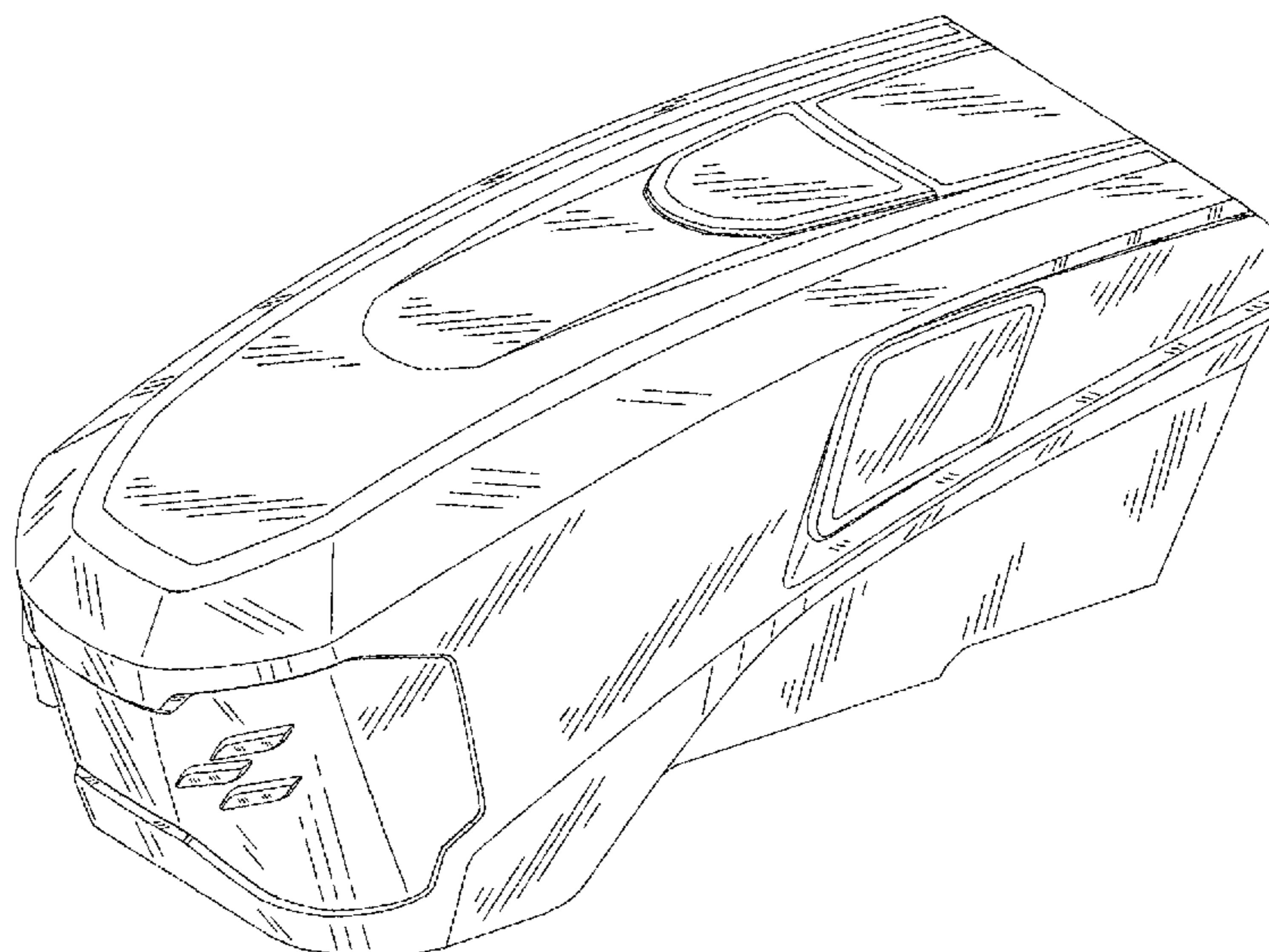
The ornamental design for a hood for a work machine, as shown and described.

DESCRIPTION

FIG. 1 is a top, front, left perspective view of a hood for a work machine according to our new design; FIG. 2 is a left side elevational view thereof; FIG. 3 is a right side elevational view thereof; FIG. 4 is a front elevational view thereof; FIG. 5 is a rear elevational view thereof; FIG. 6 is a top plan view thereof; and, FIG. 7 is a bottom plan view thereof.

The broken line representations in the figures show unclaimed environment or boundaries, and thus form no part of the claimed design.

1 Claim, 7 Drawing Sheets



(56)

References Cited

U.S. PATENT DOCUMENTS

D854,056	S	*	7/2019	Futagami	D15/31
D861,741	S	*	10/2019	Humphrey	D15/31
D880,537	S	*	4/2020	Roach	D15/31
D888,783	S		6/2020	Esau	
D896,853	S	*	9/2020	Park	D15/31
D897,382	S	*	9/2020	Futagami	D15/31
D909,425	S	*	2/2021	Park	D15/31
D910,086	S		2/2021	Keen et al.	
2014/0027228	A1		1/2014	Tojima et al.	
2017/0355252	A1		12/2017	Jackson	
2019/0103739	A1		4/2019	Kegel et al.	
2020/0298641	A1		9/2020	Tarasinski et al.	
2021/0029864	A1		2/2021	Pfaffmann et al.	

FOREIGN PATENT DOCUMENTS

DE	102018108024	A1	10/2019
DE	102018108025	A1	10/2019
DE	102018212150	A1	1/2020
DE	102018214136	A1	2/2020
DE	102019103923	A1	8/2020
DE	102019202826	A1	9/2020
DE	102019111315	A1	11/2020
DE	102019111317	A1	11/2020
DE	102019114866	A1	12/2020
DE	102019114869	A1	12/2020
DE	102019114872	A1	12/2020
DE	102019122755	A1	2/2021
EP	3461676	A1	4/2019
EP	3702305	A1	9/2020
EP	3712003	A1	9/2020
GB	801770	A	9/1958

* cited by examiner

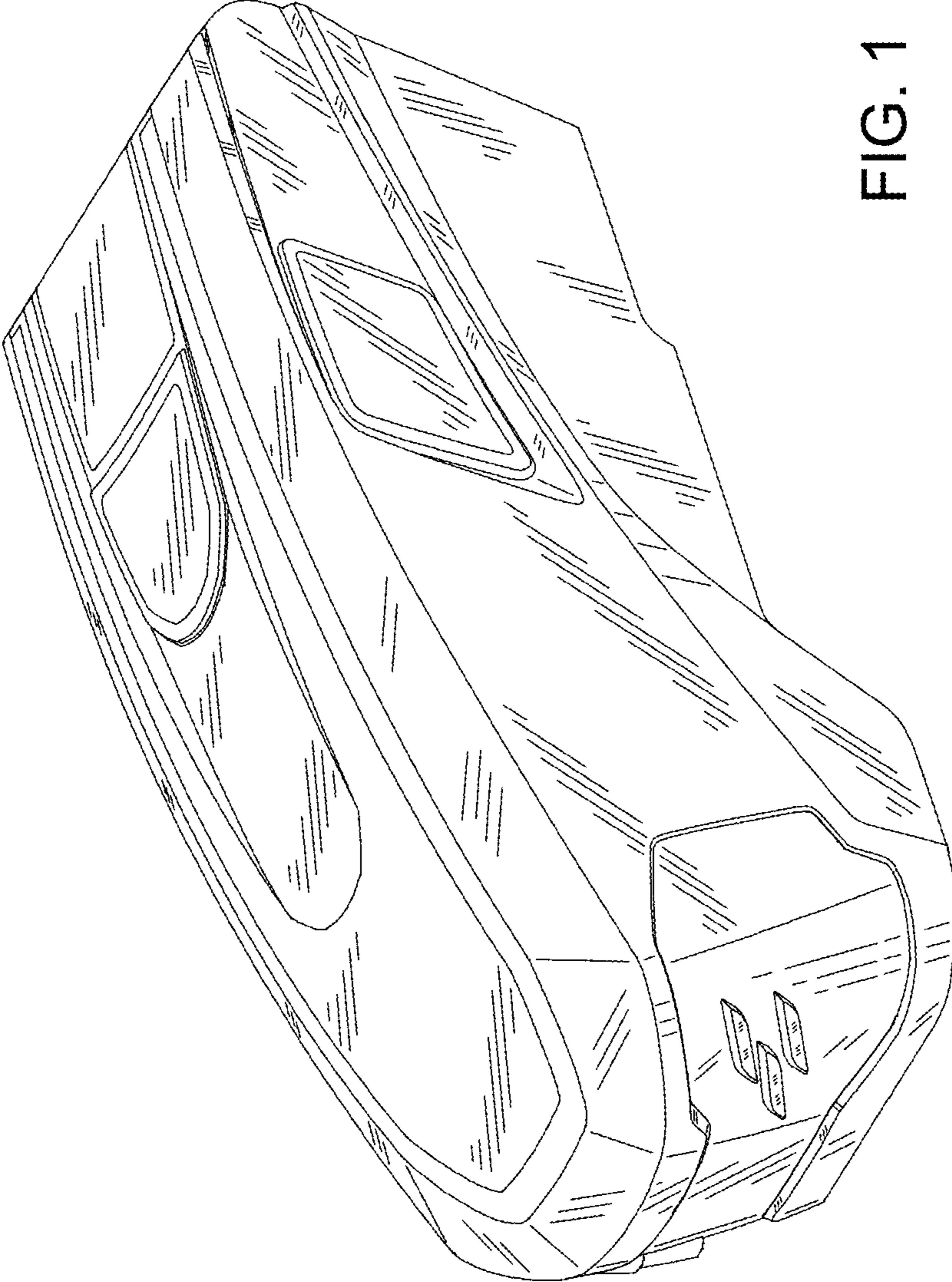


FIG. 1

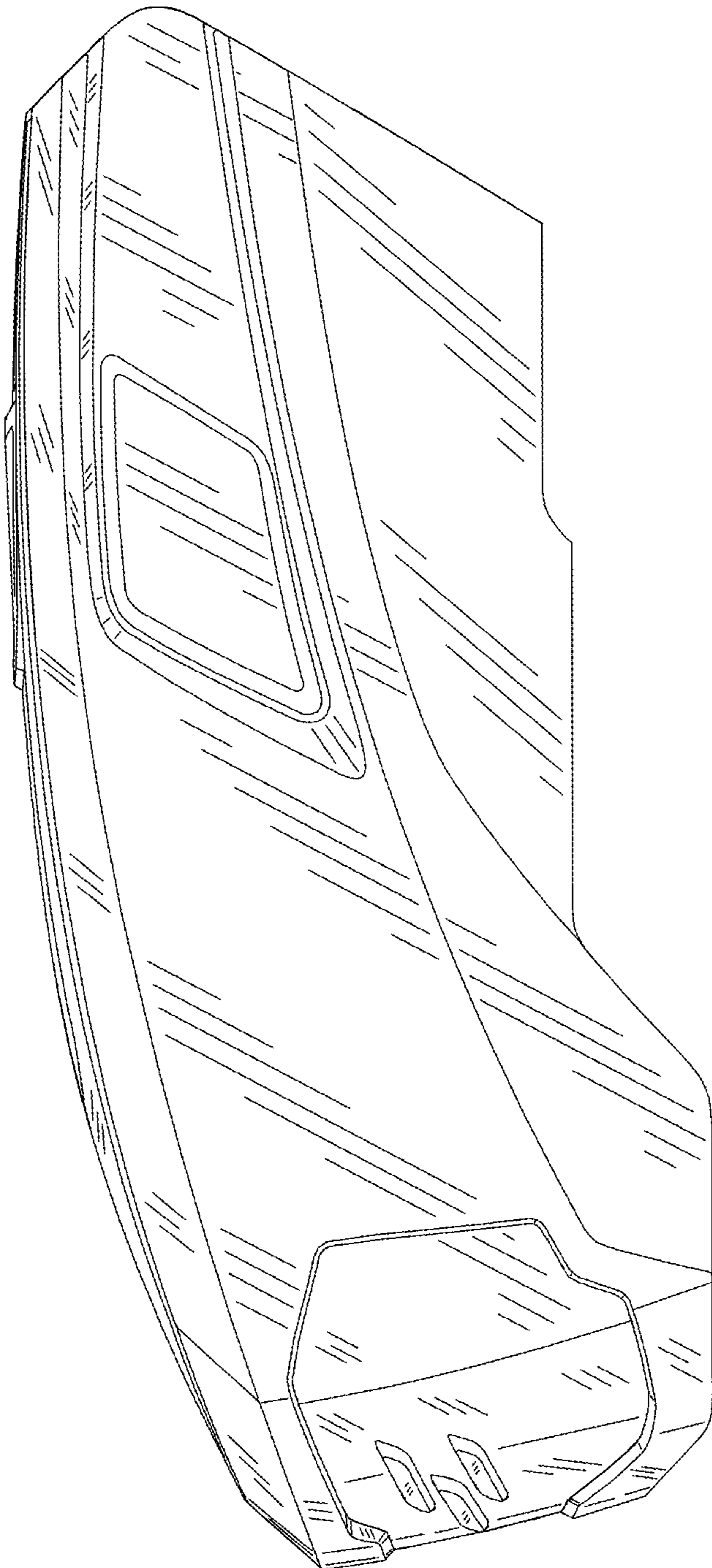


FIG. 2

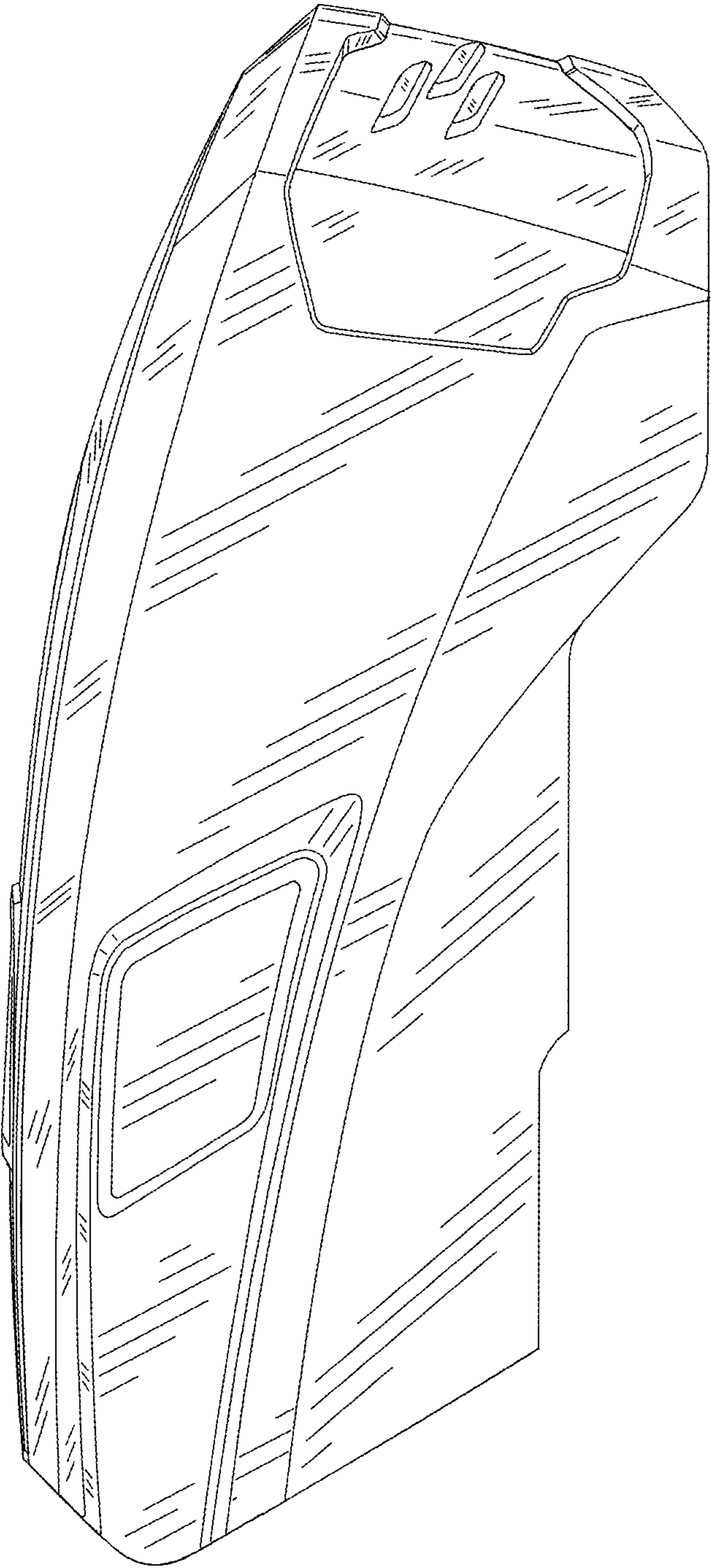


FIG. 3

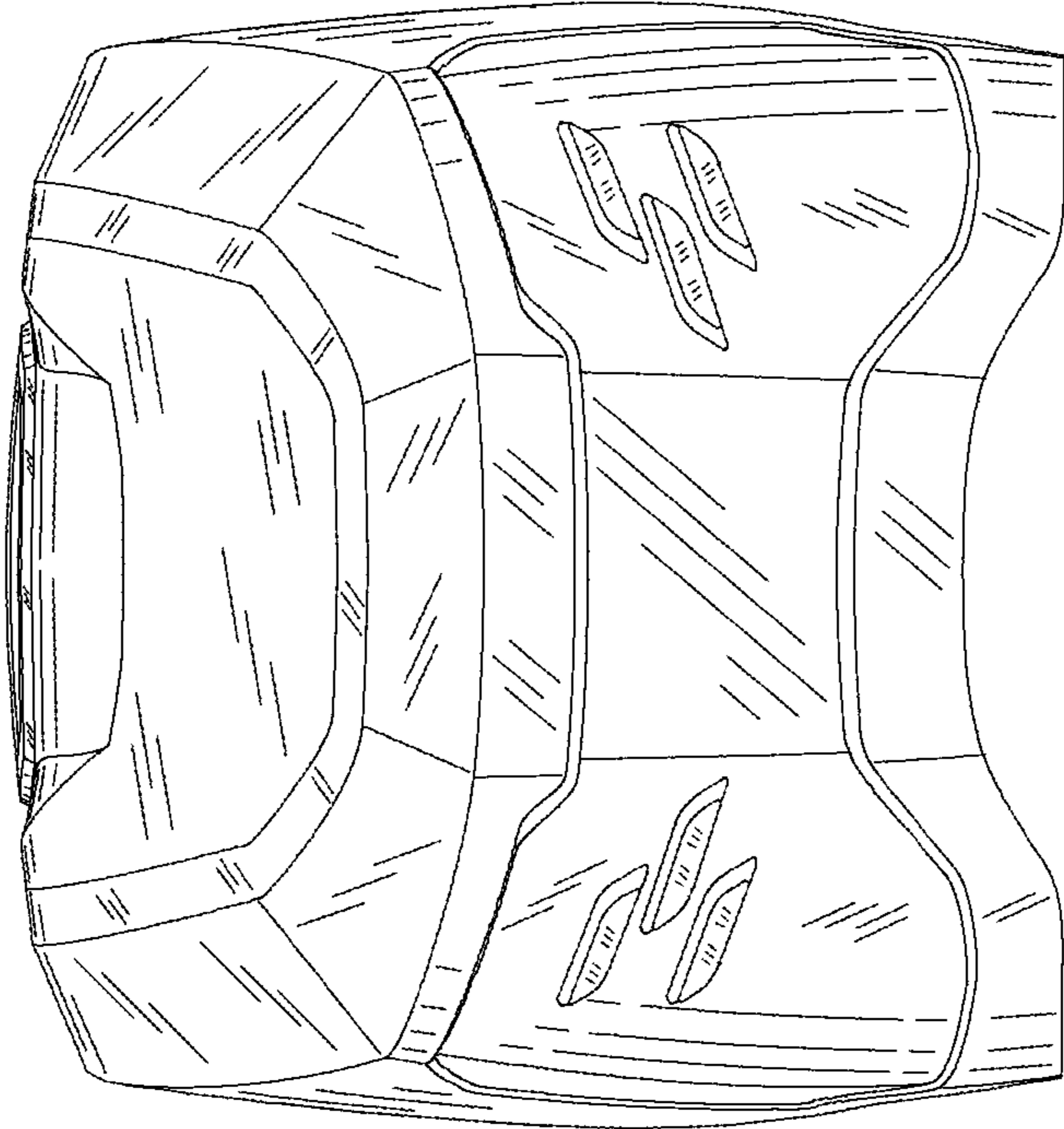


FIG. 4

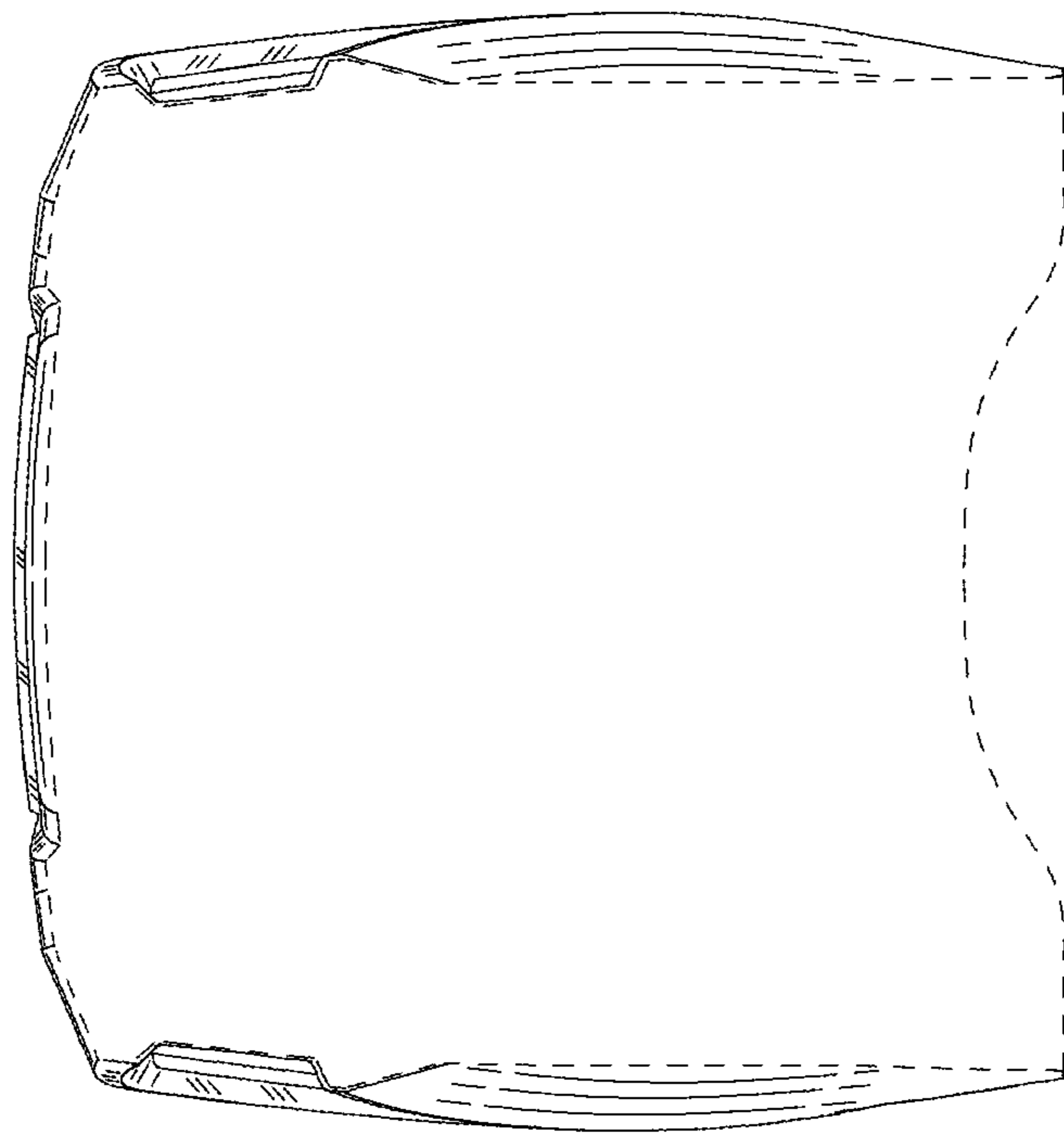


FIG. 5

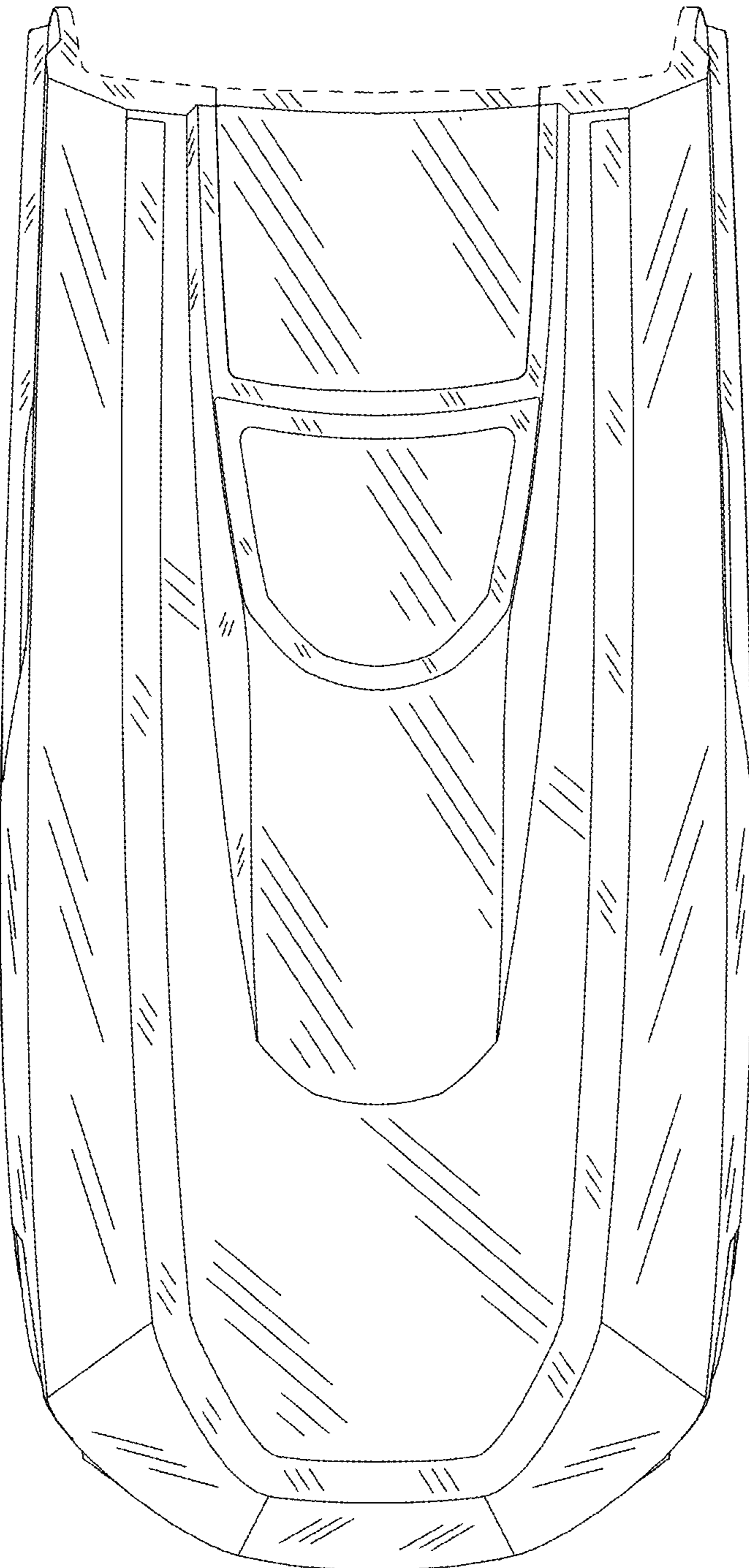


FIG. 6

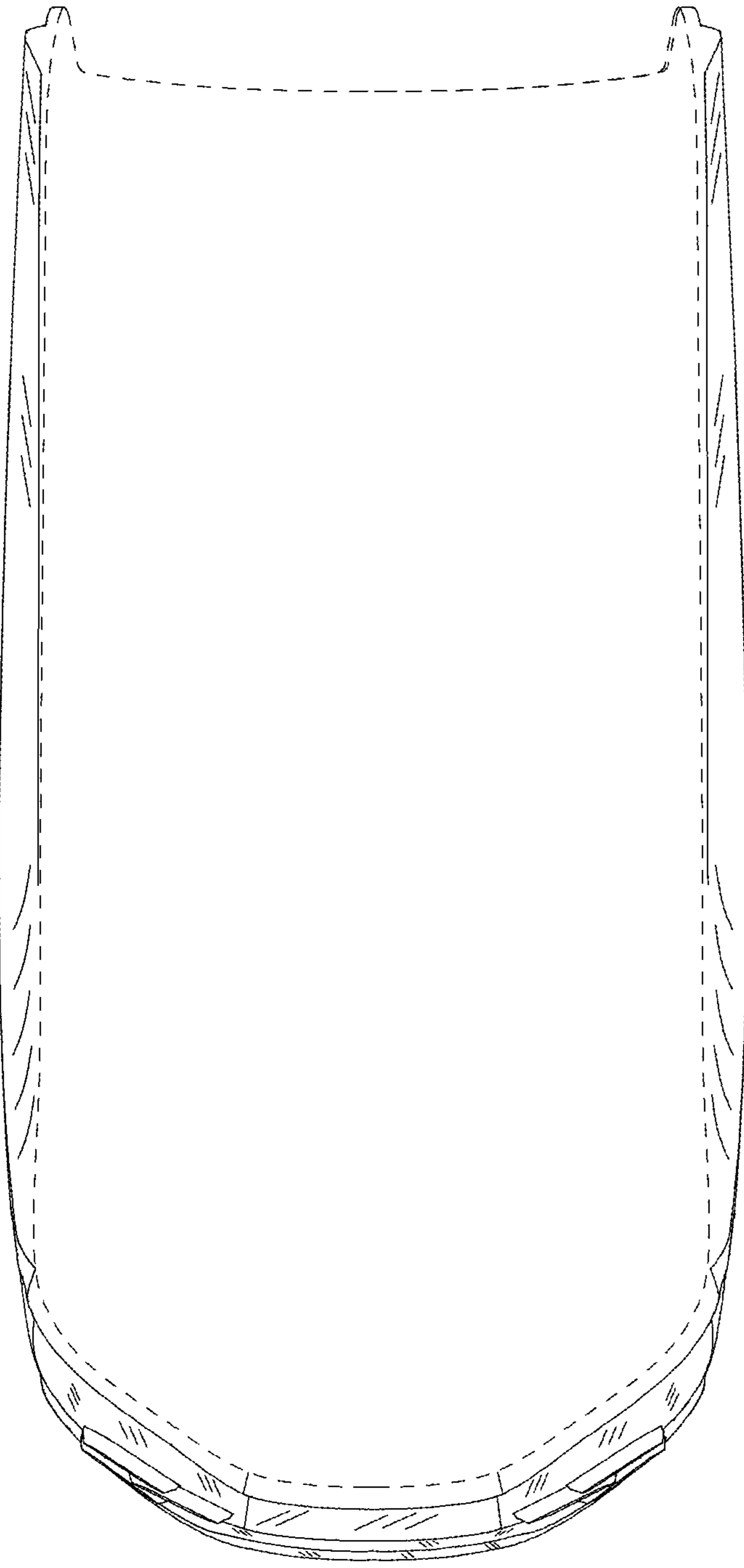


FIG. 7