



US00D962996S

(12) **United States Design Patent**  
**Bink et al.**

(10) **Patent No.:** **US D962,996 S**  
(45) **Date of Patent:** **\*\* Sep. 6, 2022**

- (54) **THROTTLE BODY**
- (71) Applicant: **Kohler Co.**, Kohler, WI (US)
- (72) Inventors: **Benjamin J. Bink**, St. Cloud, WI (US);  
**Alexander A. Yosick**, Howards Grove, WI (US);  
**Ondrej Tomek**, Mequon, WI (US);  
**Pezaan S. Patrawala**, Roseville, MN (US);  
**Jacob Liebzeit**, Cleveland, WI (US);  
**Michael J. Tursky**, Fond du Lac, WI (US);  
**Bruce M. Lefeber**, Plymouth, WI (US)
- (73) Assignee: **Kohler Co.**
- (\*\*) Term: **15 Years**
- (21) Appl. No.: **29/765,450**
- (22) Filed: **Jan. 8, 2021**

**Related U.S. Application Data**

- (62) Division of application No. 29/621,381, filed on Oct. 6, 2017, now Pat. No. Des. 910,716.
- (51) **LOC (13) Cl.** ..... **15-01**
- (52) **U.S. Cl.**  
USPC ..... **D15/6**
- (58) **Field of Classification Search**  
USPC ..... D8/349, 352, 354, 356, 357, 366, 380,  
D8/382, 383, 394, 396, 499; D12/87,  
D12/223; D15/1-7; D23/322, 323  
CPC ..... F02M 69/043; F02M 51/005; F02M  
63/0056; F02D 9/1035; F02D 9/105  
See application file for complete search history.

(56) **References Cited**

**U.S. PATENT DOCUMENTS**

- 4,224,908 A 9/1980 Bier et al.
- 4,230,645 A 10/1980 Dodson
- 4,246,875 A 1/1981 Bier et al.

- 4,294,282 A 10/1981 McCabe et al.
- 4,306,441 A 12/1981 Dodson
- 4,318,214 A 3/1982 Dodson
- 4,325,339 A 4/1982 Bier et al.
- 4,357,283 A 11/1982 Manning
- 4,434,762 A 3/1984 McCabe
- 4,434,763 A 3/1984 McCabe et al.
- 4,556,032 A 12/1985 Miller
- 4,949,983 A 8/1990 Miller
- 5,261,382 A 11/1993 Nikolai

(Continued)

*Primary Examiner* — Michael C Stout

*Assistant Examiner* — Fritzgerald L Butac

(74) *Attorney, Agent, or Firm* — The Belles Group, P.C.

(57) **CLAIM**

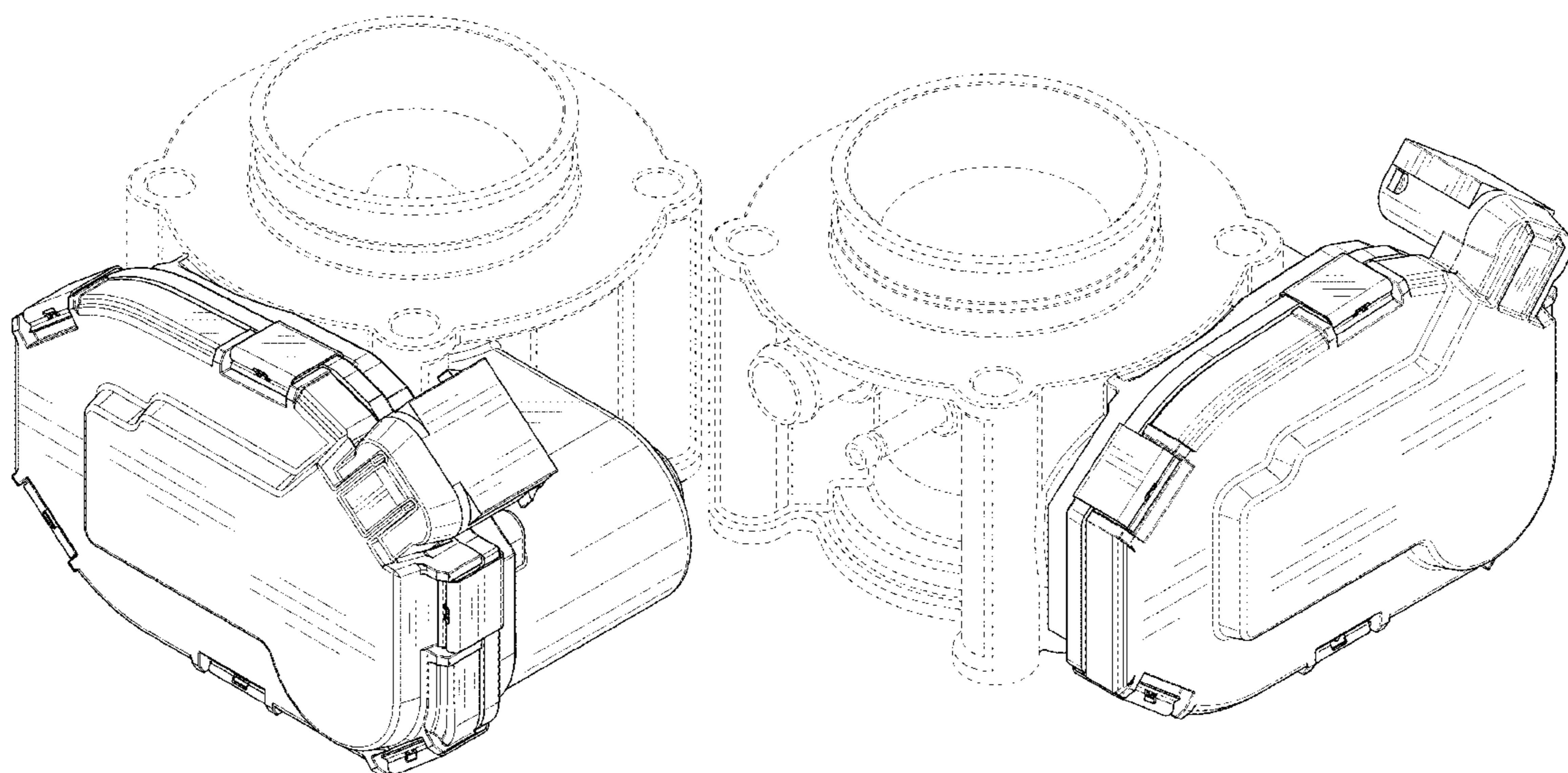
The ornamental design for a throttle body, as shown and described.

**DESCRIPTION**

FIG. 1 is a front-right elevated view of a throttle body according to an embodiment of the new design; FIG. 2 is a front-left elevated view thereof; FIG. 3 is a front-right depressed view thereof; FIG. 4 is a front-left depressed view thereof; FIG. 5 is a rear-left elevated view thereof; FIG. 6 is a rear-right elevated view thereof; FIG. 7 is a rear-left depressed view thereof; FIG. 8 is a rear-right depressed view thereof; FIG. 9 is a front plan view thereof; FIG. 10 is a rear plan view thereof; FIG. 11 is a right-side plan view thereof; FIG. 12 is a left-side plan view thereof; FIG. 13 is a top plan view thereof; and, FIG. 14 is a bottom plan view thereof.

All broken lines of equal length shown in the drawings are for environmental purposes only and form no part of the claimed design. The broken lines of unequal length show portions of a throttle body which form no part of the claimed design.

**1 Claim, 12 Drawing Sheets**



(56)

References Cited

U.S. PATENT DOCUMENTS

D447,147 S	8/2001	Grant					
D456,421 S *	4/2002	Braswell .....	D15/6				
6,481,698 B1	11/2002	Calvin et al.					
6,874,768 B2	4/2005	Grant					
D508,496 S	8/2005	Grant					
D543,555 S	5/2007	Braswell et al.					
D555,668 S	11/2007	Benoit					
D578,550 S	10/2008	Benoit					
7,533,661 B2	5/2009	Baasch					
7,591,245 B2	9/2009	Baasch et al.					
D645,058 S	9/2011	Benoit					
D648,746 S	11/2011	Tipton et al.					
D655,311 S	3/2012	Gieske et al.					
D659,714 S	5/2012	Gieske et al.					
D681,059 S *	4/2013	Hsu .....	D15/5				
D721,389 S	1/2015	Gieske et al.					
9,115,671 B2	8/2015	Benoit					
				9,303,578 B2	4/2016	Wittkopf	
				9,376,997 B1	6/2016	Farrell et al.	
				D760,804 S	7/2016	Shehan et al.	
				D808,435 S	1/2018	Shehan et al.	
				D810,142 S	2/2018	Shehan et al.	
				10,012,197 B2	7/2018	Flynn et al.	
				D826,280 S	8/2018	Koo et al.	
				D877,201 S *	3/2020	Shehan .....	D15/5
				D910,716 S *	2/2021	Bink .....	D15/5
				D921,049 S *	6/2021	Shehan .....	D15/6
				D924,273 S *	7/2021	Shehan .....	D15/5
				D925,606 S *	7/2021	Shehan .....	D15/5
				D933,713 S *	10/2021	Bell .....	D15/5
				D938,993 S *	12/2021	Bell .....	D15/5
				D938,994 S *	12/2021	Bell .....	D15/5
				2008/0230034 A1	9/2008	Dunn	
				2009/0013955 A1	1/2009	Sheridan et al.	
				2013/0054121 A1	2/2013	Casoni et al.	
				2013/0298871 A1	11/2013	Bennett et al.	
				2018/0119656 A1	5/2018	Shehan et al.	

\* cited by examiner

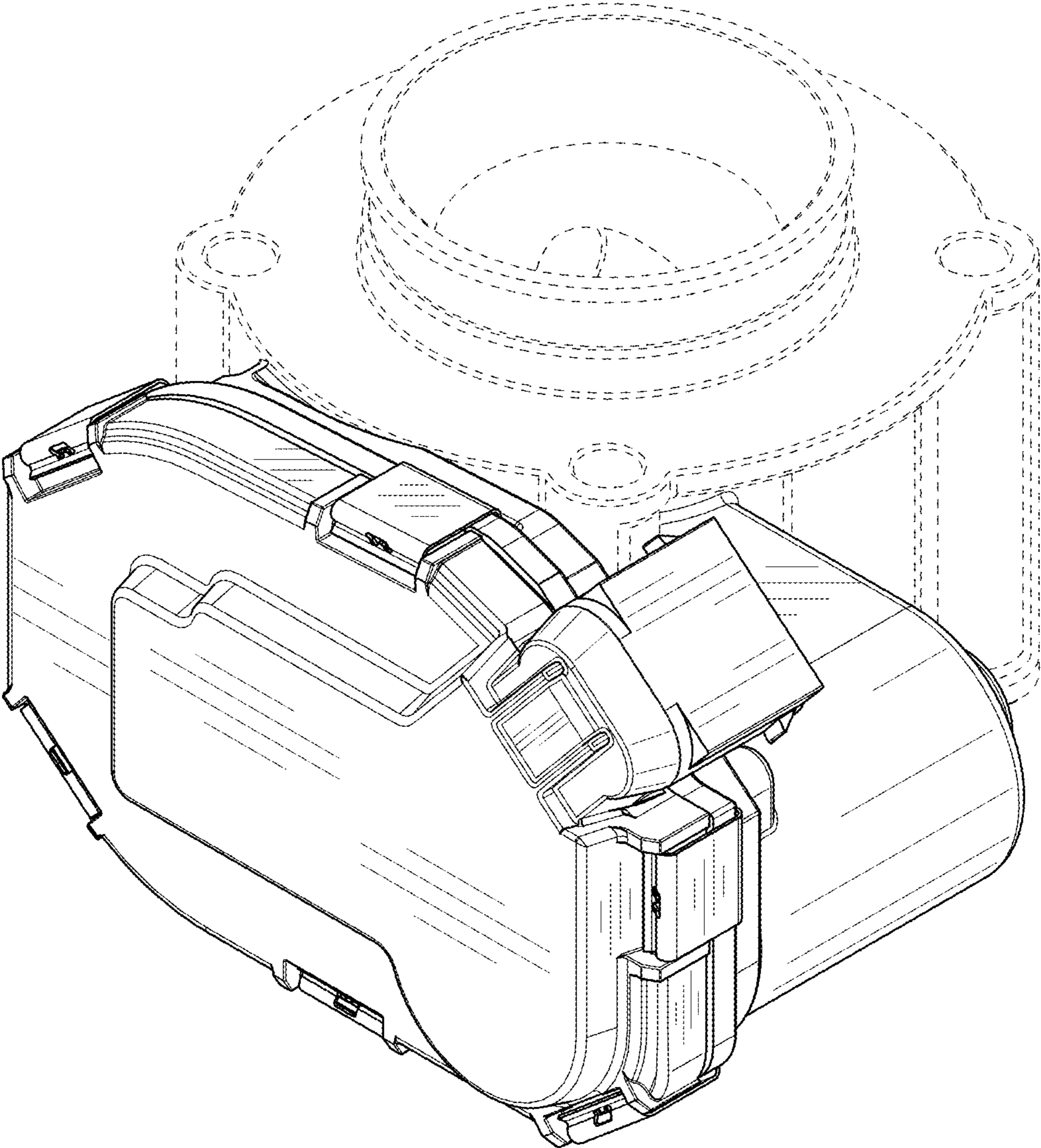


FIG. 1

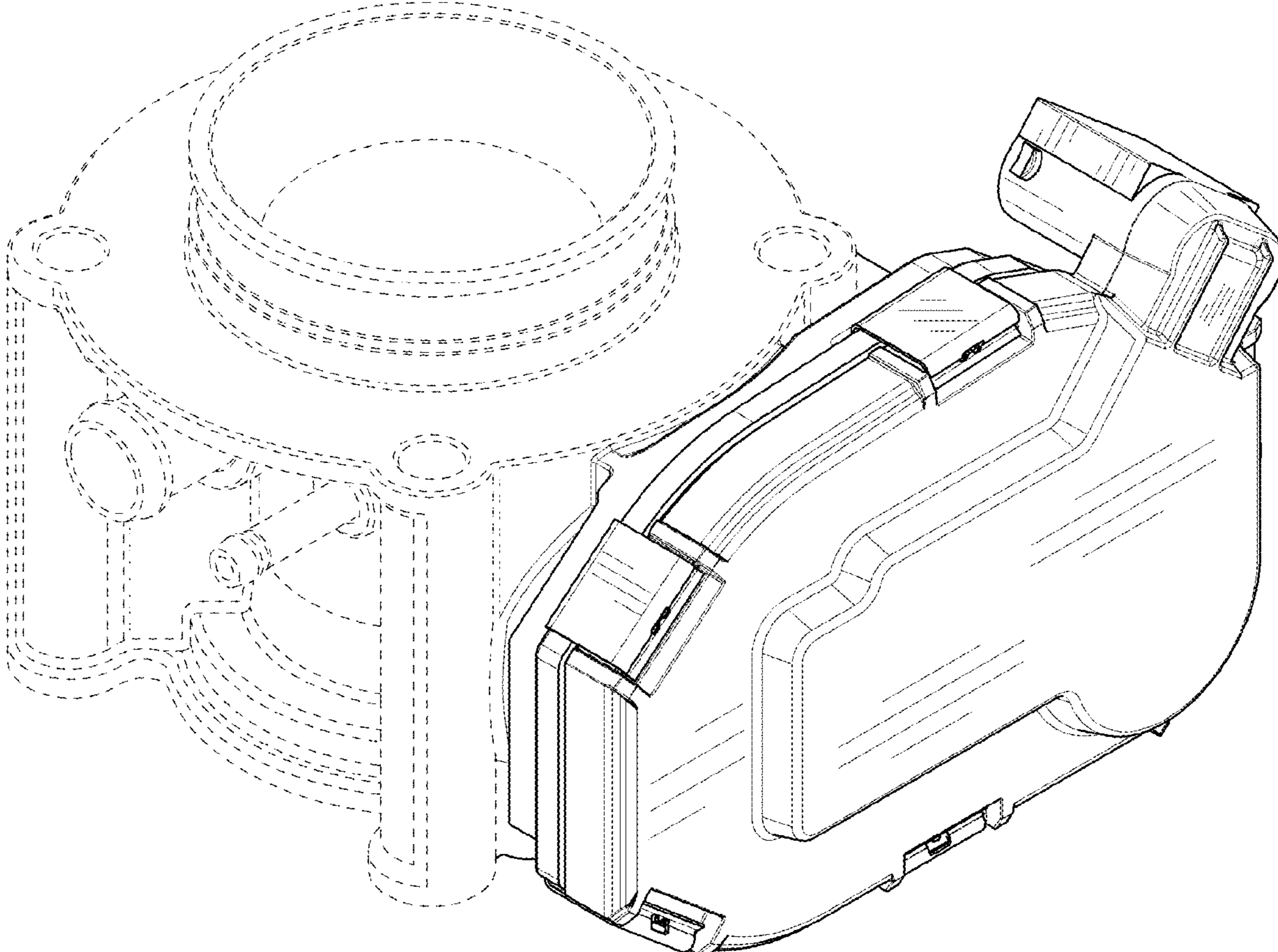


FIG. 2

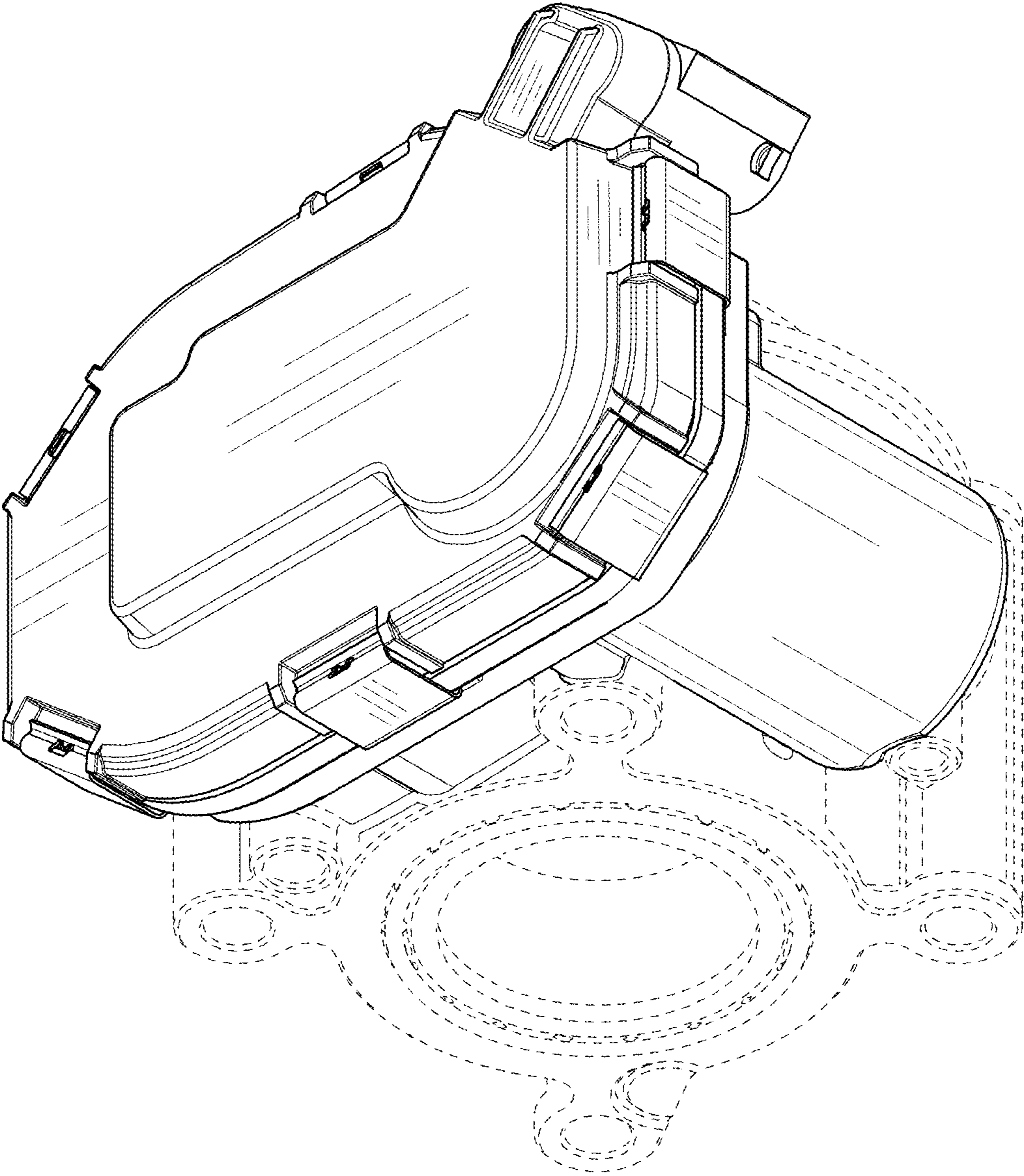


FIG. 3

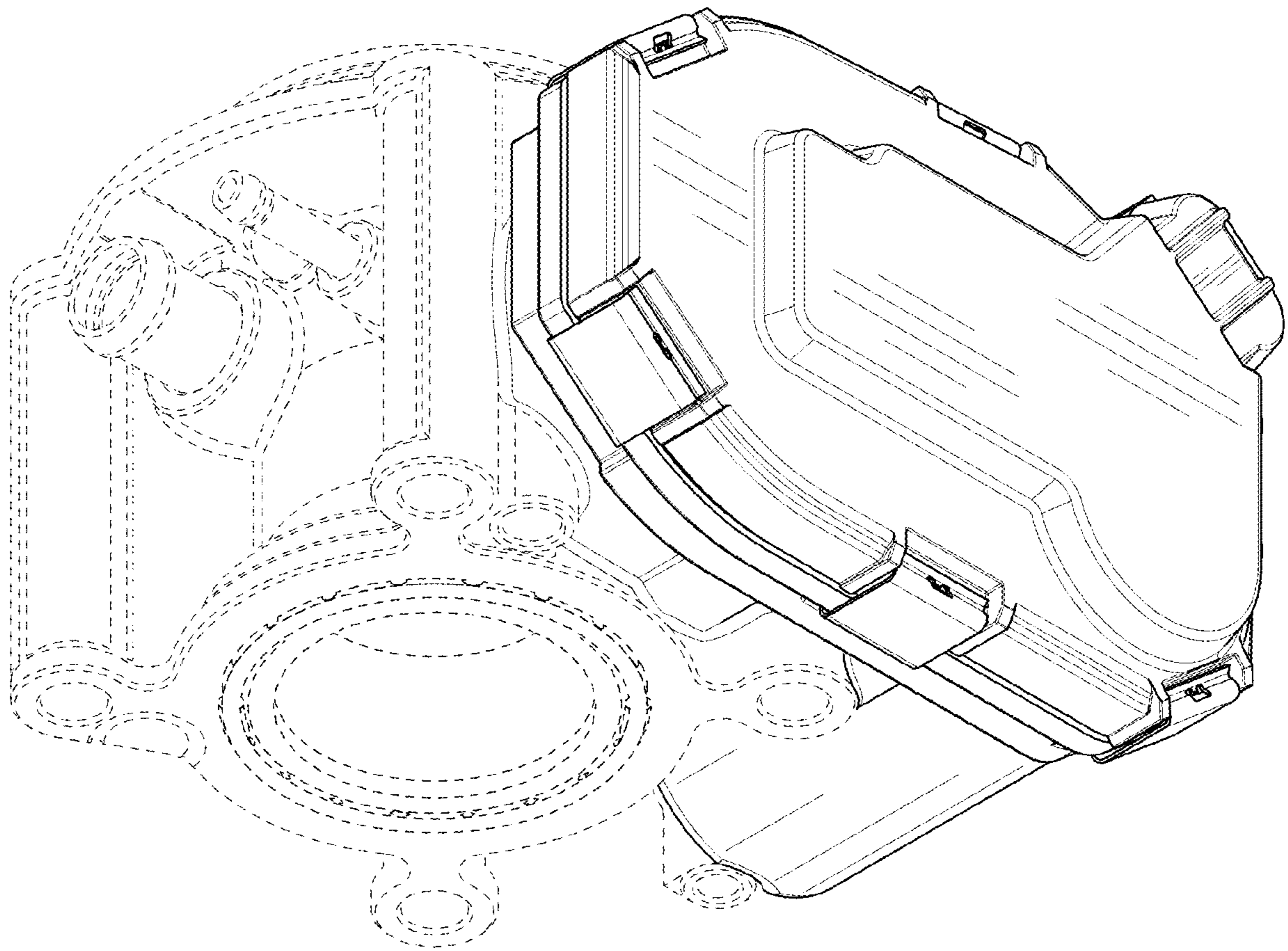


FIG. 4

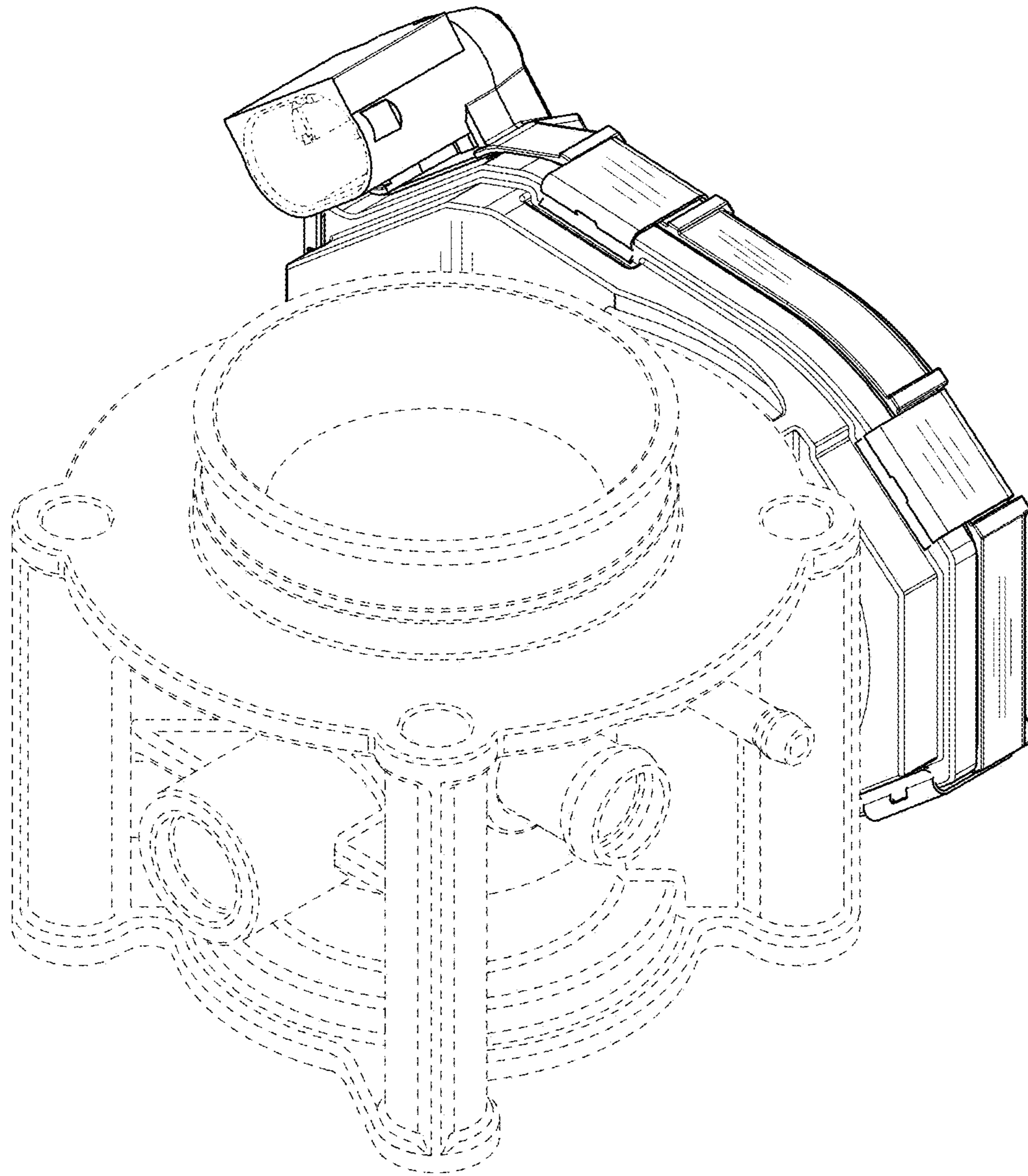


FIG. 5

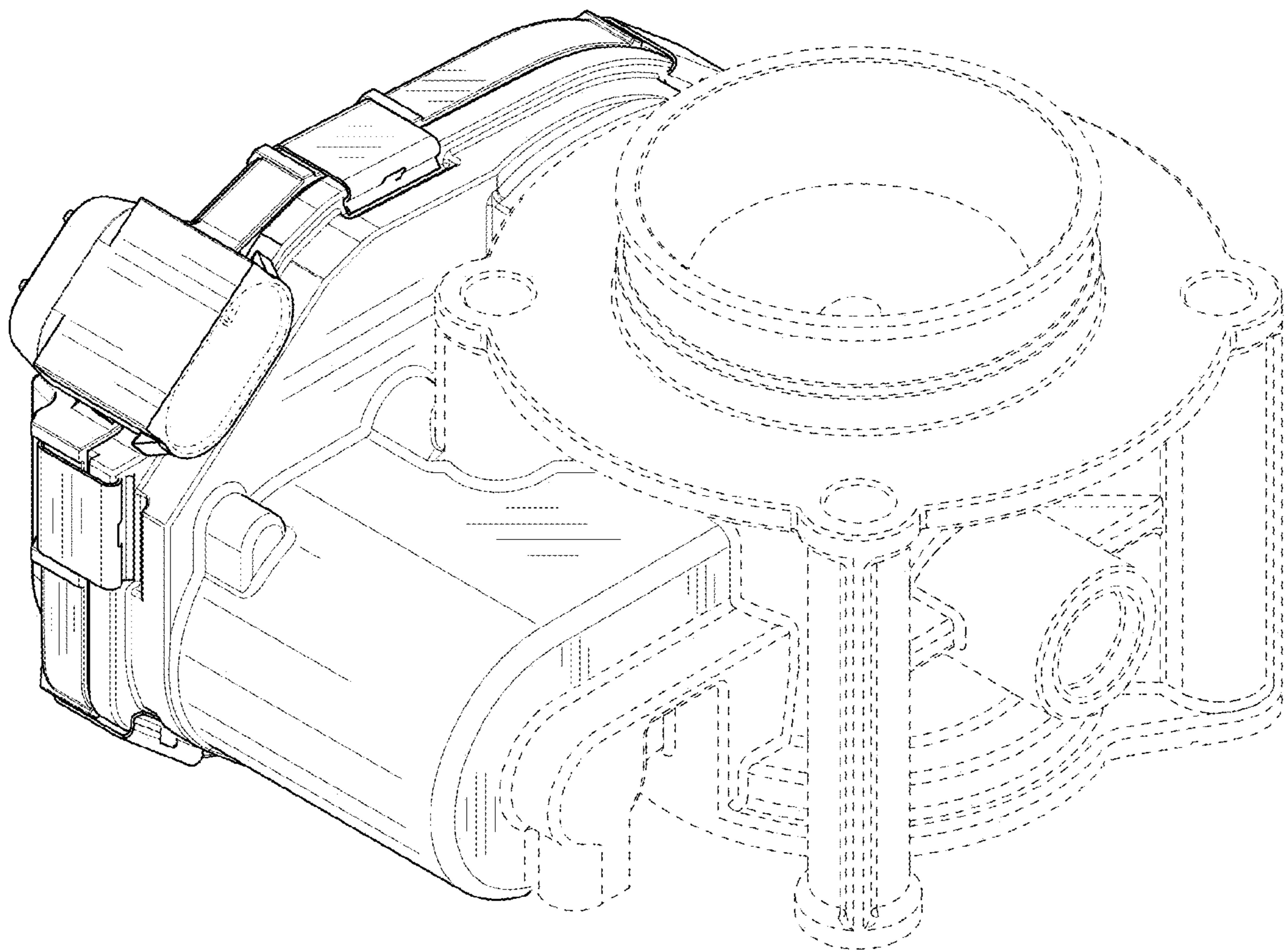


FIG. 6



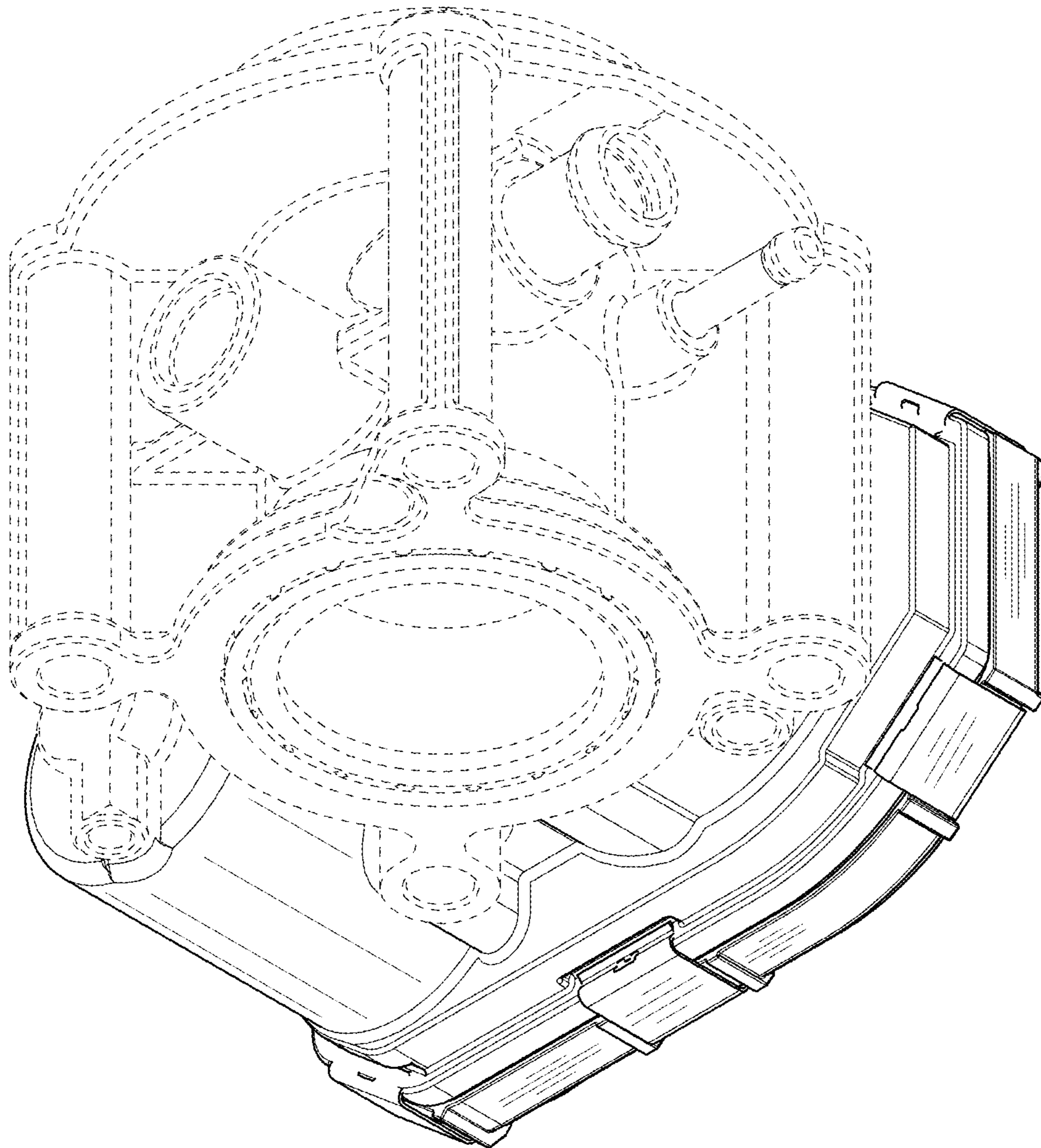


FIG. 7

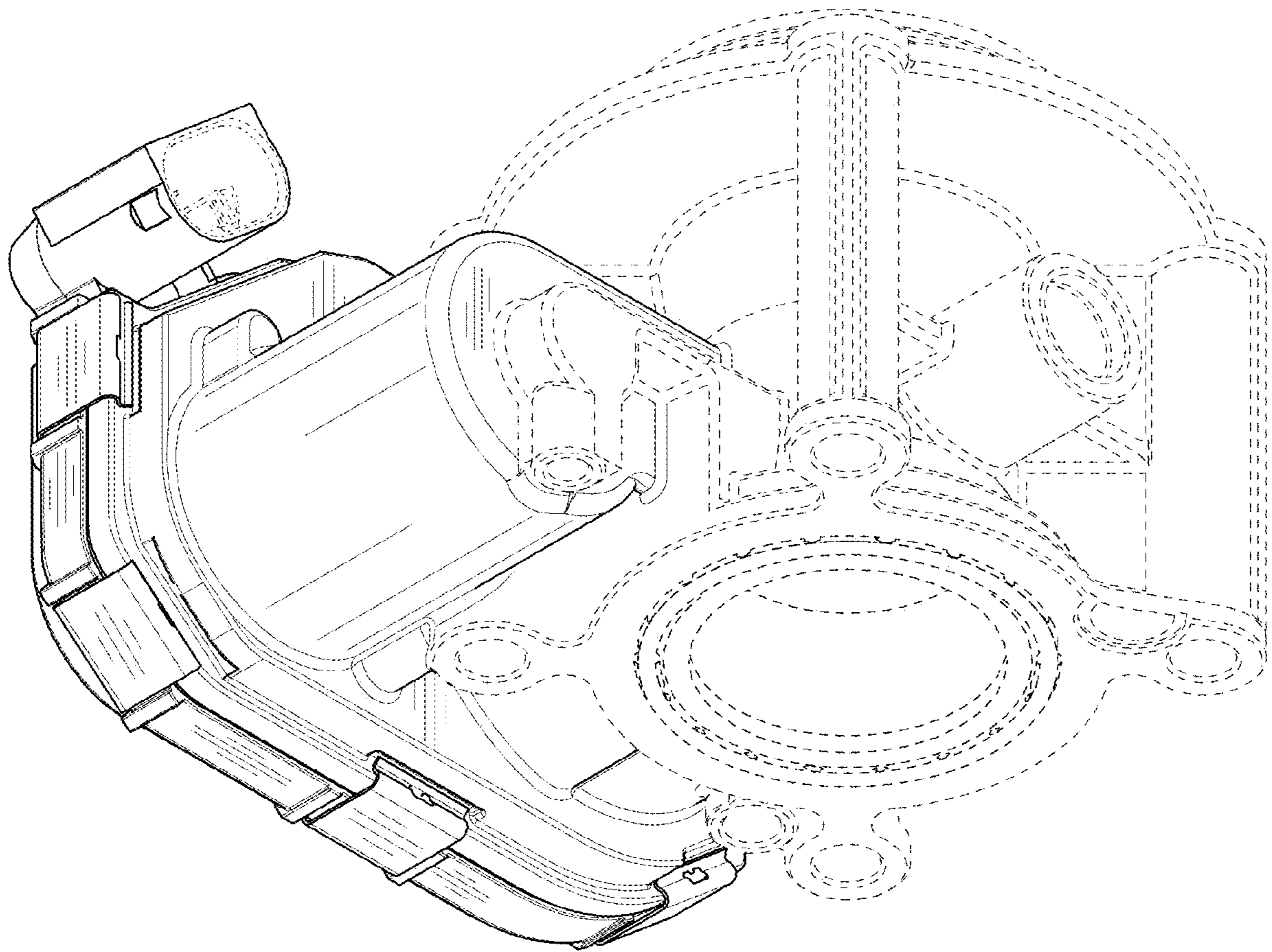


FIG. 8

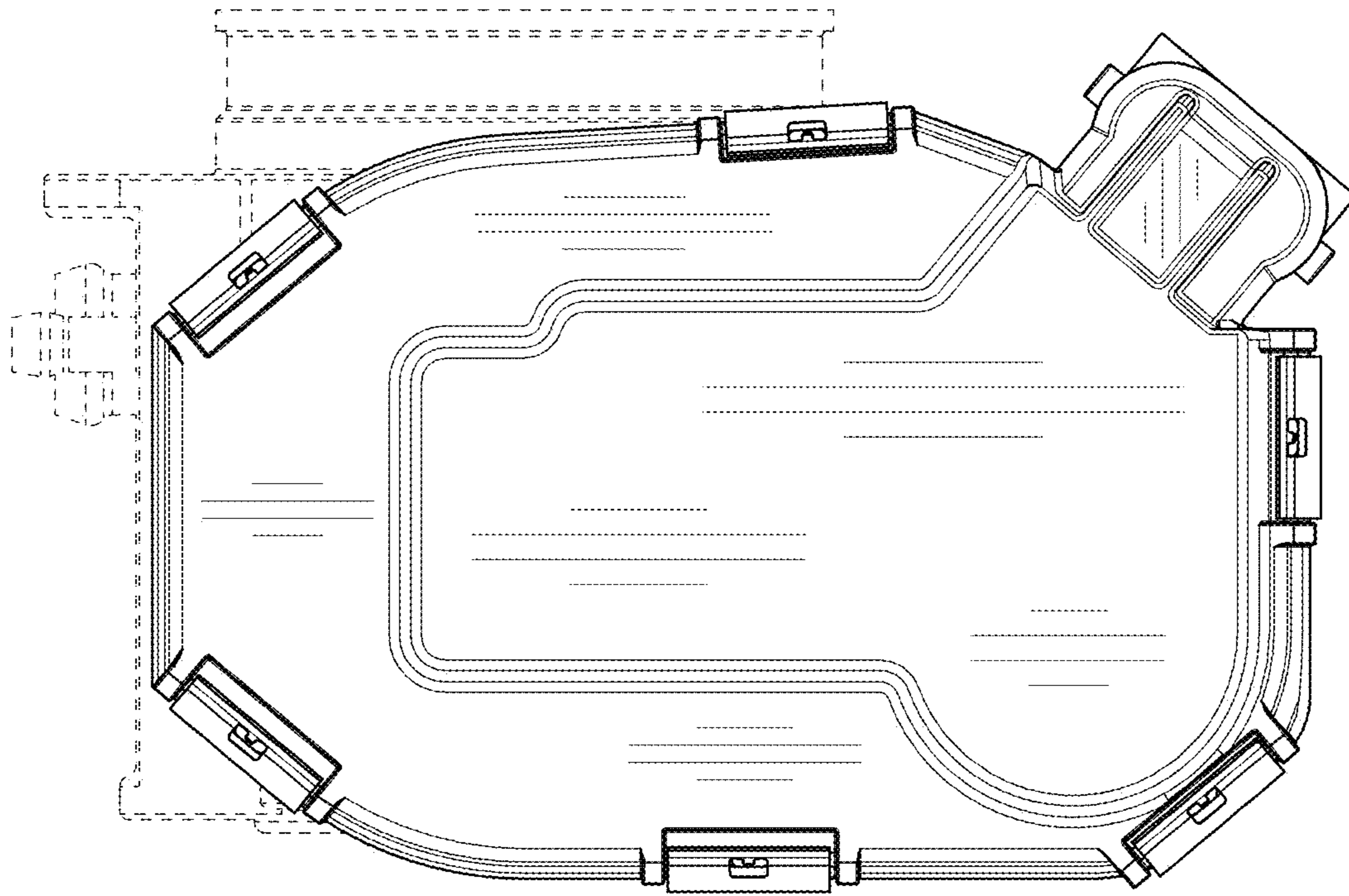


FIG. 9

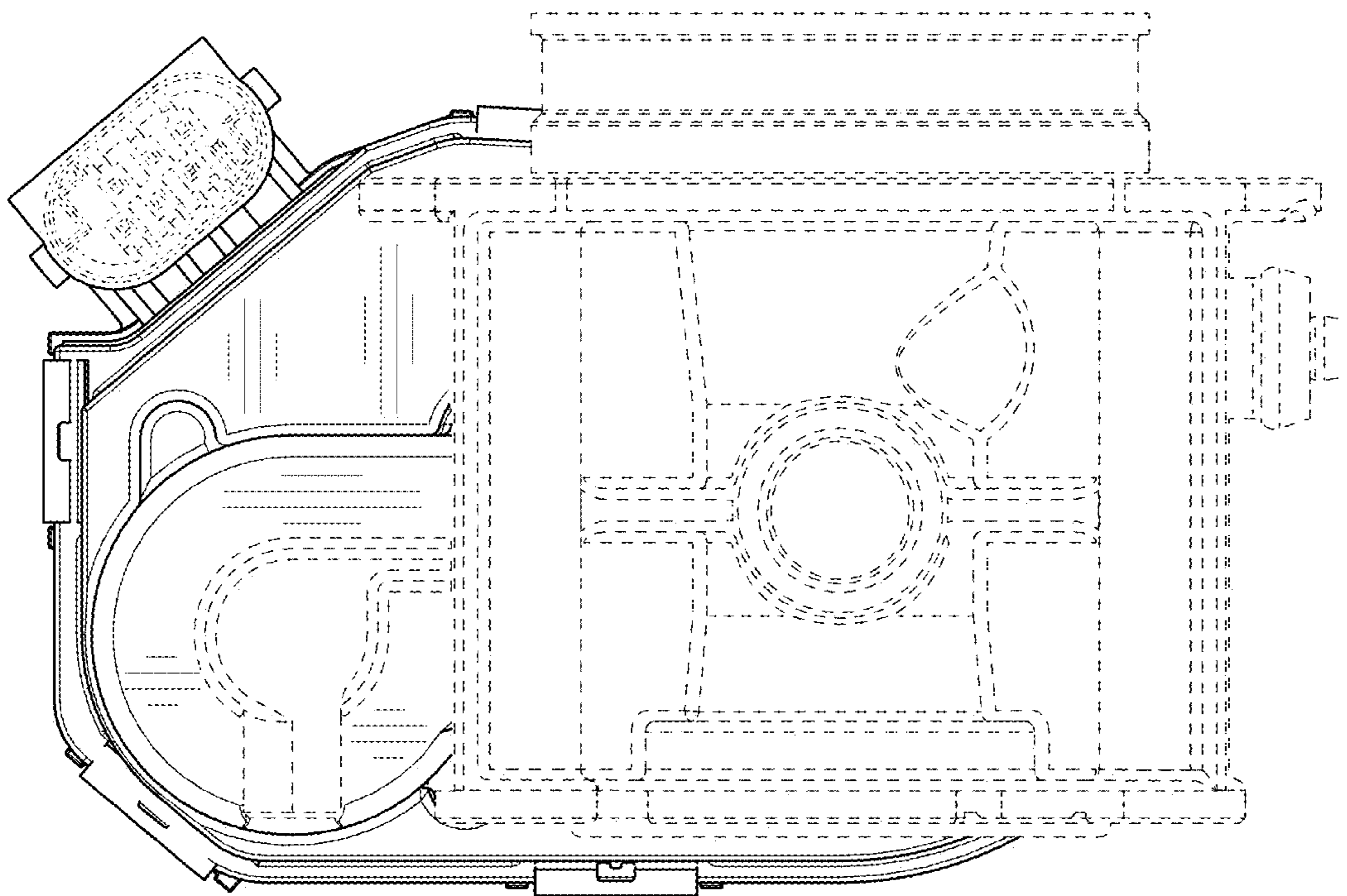


FIG. 10

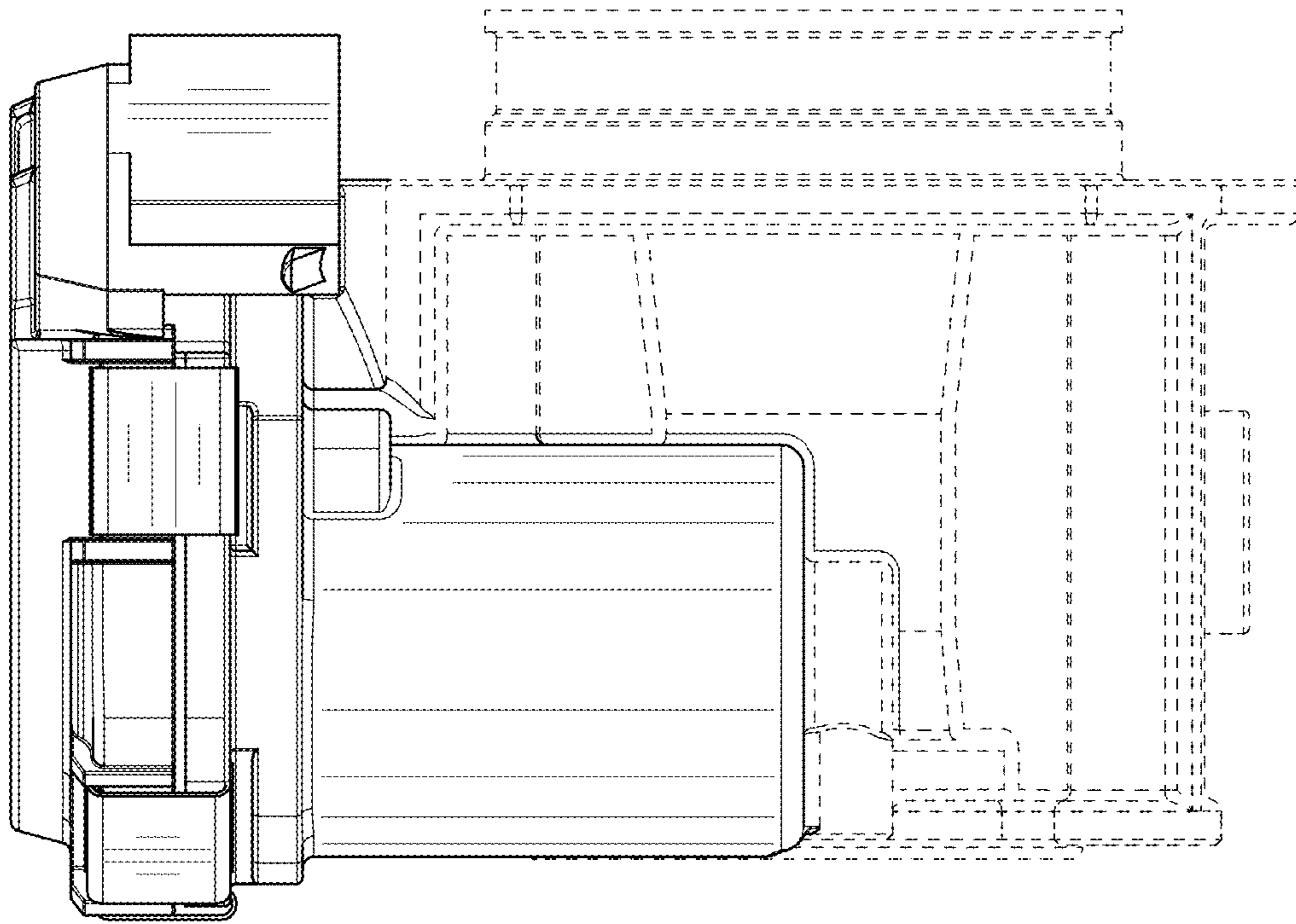


FIG. 11

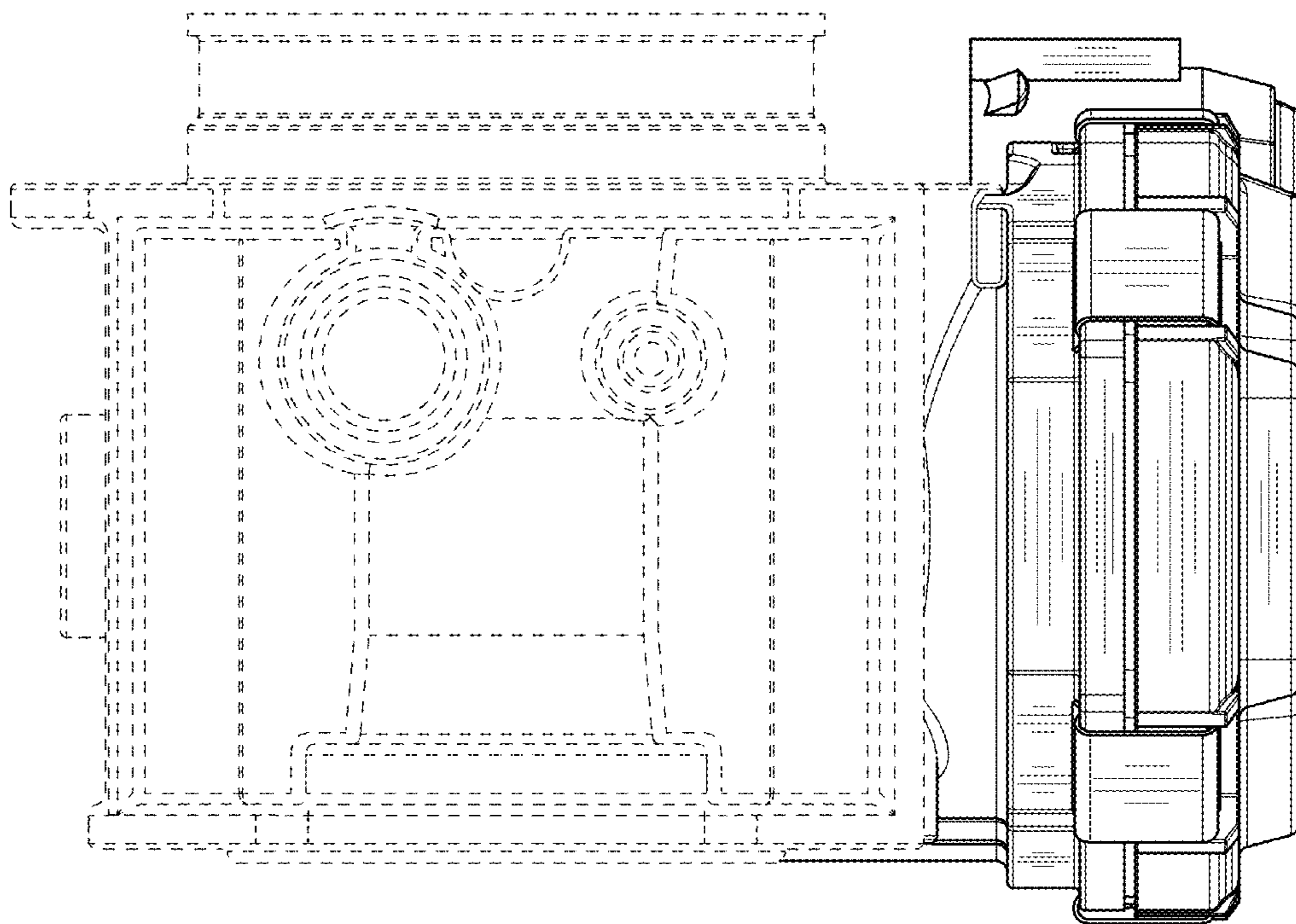


FIG. 12

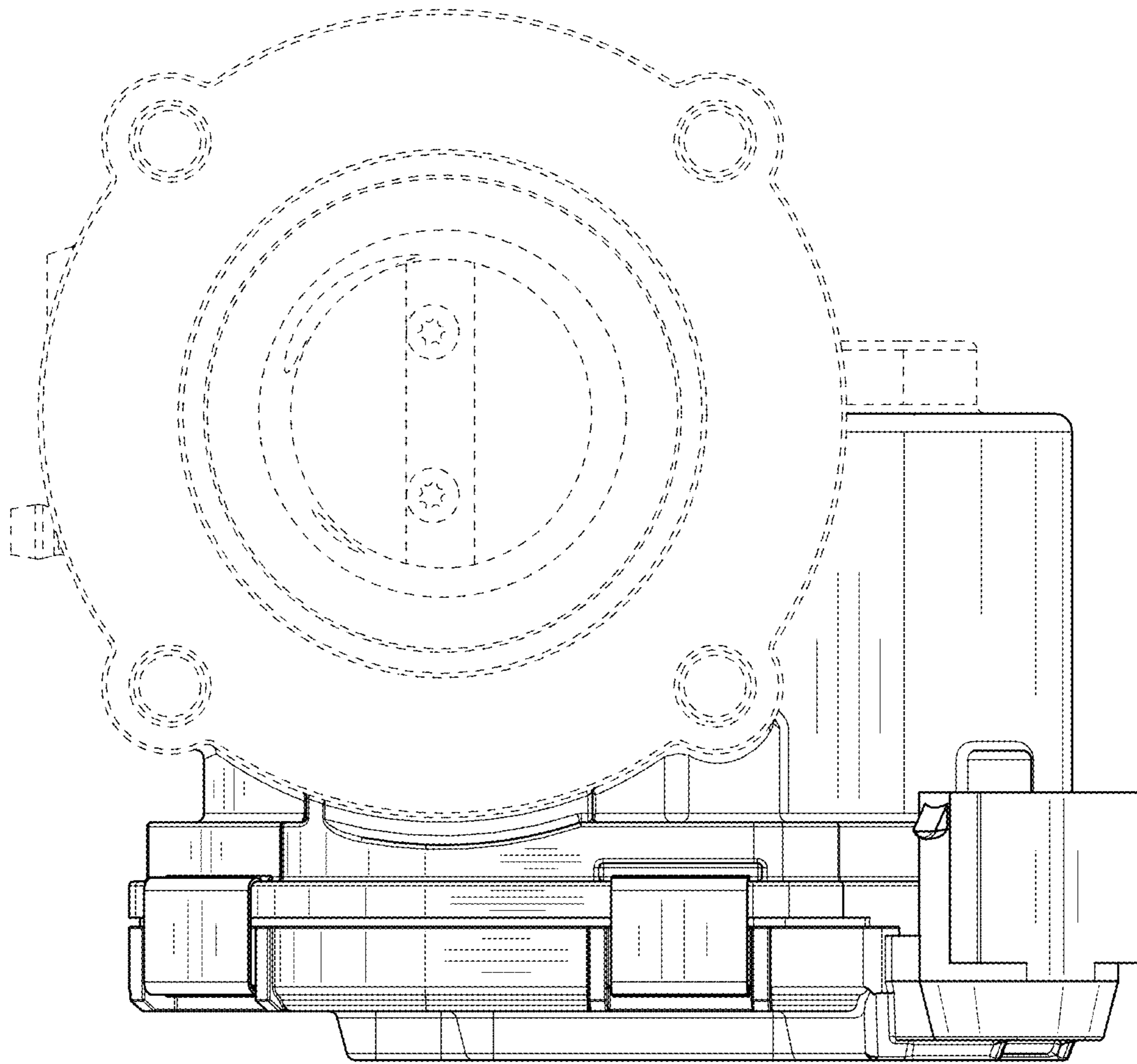


FIG. 13

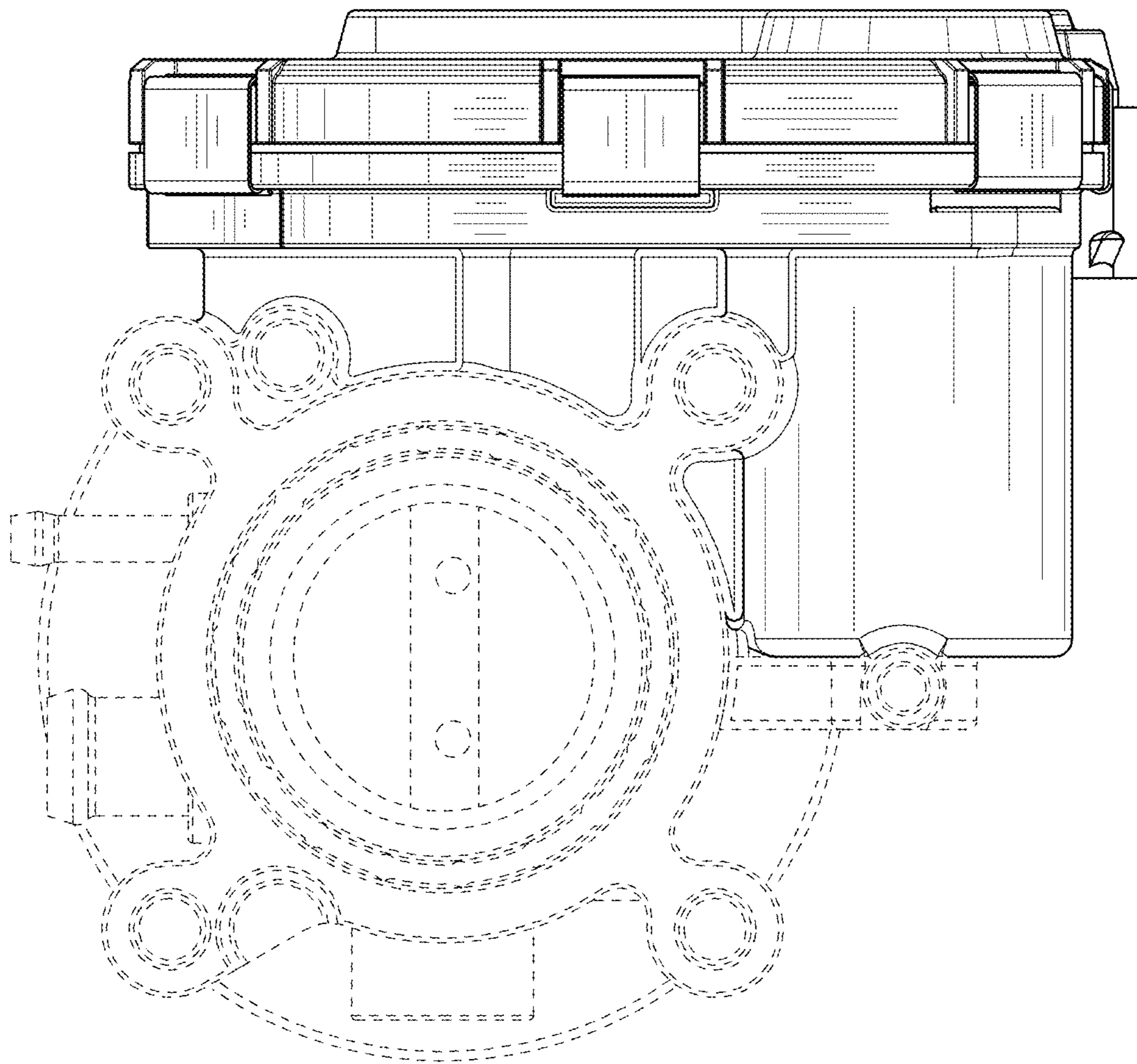


FIG. 14