



US00D962995S

(12) **United States Design Patent** (10) **Patent No.:** **US D962,995 S**  
**Wei** (45) **Date of Patent:** **\*\* Sep. 6, 2022**

(54) **INTAKE MANIFOLD**

FOREIGN PATENT DOCUMENTS

(71) Applicant: **DeepMotor Inc**, Rancho Cucamonga, CA (US)

CN 303479863 12/2015  
CN 303727690 6/2016

(Continued)

(72) Inventor: **Yong Wei**, Rancho Cucamonga, CA (US)

OTHER PUBLICATIONS

(73) Assignee: **DEEPMOTOR INC**, Rancho Cucamonga, CA (US)

alibaba.com: "BK-3123SET Supra 2JZ-GE Billet Intake manifold with fuel rail and throttle body 90mm", 4 pages, retrieved from the Internet <URL: [http://www.bkcmotorsport.com/product/60462533019-802641114/bk\\_3123SET\\_supra\\_2JZ\\_GE\\_Billet\\_Intake\\_manifold\\_with\\_fuel\\_and\\_rail\\_and\\_throttle\\_body\\_90mm.html](http://www.bkcmotorsport.com/product/60462533019-802641114/bk_3123SET_supra_2JZ_GE_Billet_Intake_manifold_with_fuel_and_rail_and_throttle_body_90mm.html)>, [retrieved on Jun. 2, 2020].

(\*\*) Term: **15 Years**

(Continued)

(21) Appl. No.: **29/748,697**

(22) Filed: **Aug. 31, 2020**

*Primary Examiner* — Ania Aman

(51) **LOC (13) Cl.** ..... **15-01**

(74) *Attorney, Agent, or Firm* — Loza & Loza, LLP; Heidi Eisenhut

(52) **U.S. Cl.**

USPC ..... **D15/5**

(58) **Field of Classification Search**

USPC ..... D15/1-5

CPC ..... F02M 35/10091; F02M 35/10222; F02M 35/10295; F02M 35/10321; F02M 35/10262; F02M 35/104; F02M 35/10354; F02M 35/116; F02M 35/10052; F02M 35/10078; F02M 35/112; F02M 35/10085; F02M 31/00; F02M 31/04; F02M 31/042; F02M 31/045; F02M 31/047; F02M 31/093; F02M 35/10144; F02M 35/10039; F02M 35/10347; F02M 35/10334; F02M 35/00; F02M 35/10; F02M 35/10026; F02M 35/044

See application file for complete search history.

(57) **CLAIM**

The ornamental design for an intake manifold, as shown and described.

**DESCRIPTION**

FIG. 1 is a front, right, top perspective view of an intake manifold;  
FIG. 2 is a rear, left, bottom perspective view of the intake manifold of FIG. 1;  
FIG. 3 is a right side elevation view of the intake manifold of FIG. 1;  
FIG. 4 is a left side elevation view of the intake manifold of FIG. 1;  
FIG. 5 is a front elevation view of the intake manifold of FIG. 1;  
FIG. 6 is a rear elevation view of the intake manifold of FIG. 1;  
FIG. 7 is a top plan view of the intake manifold of FIG. 1; and,  
FIG. 8 is a bottom plan view of the intake manifold of FIG. 1.

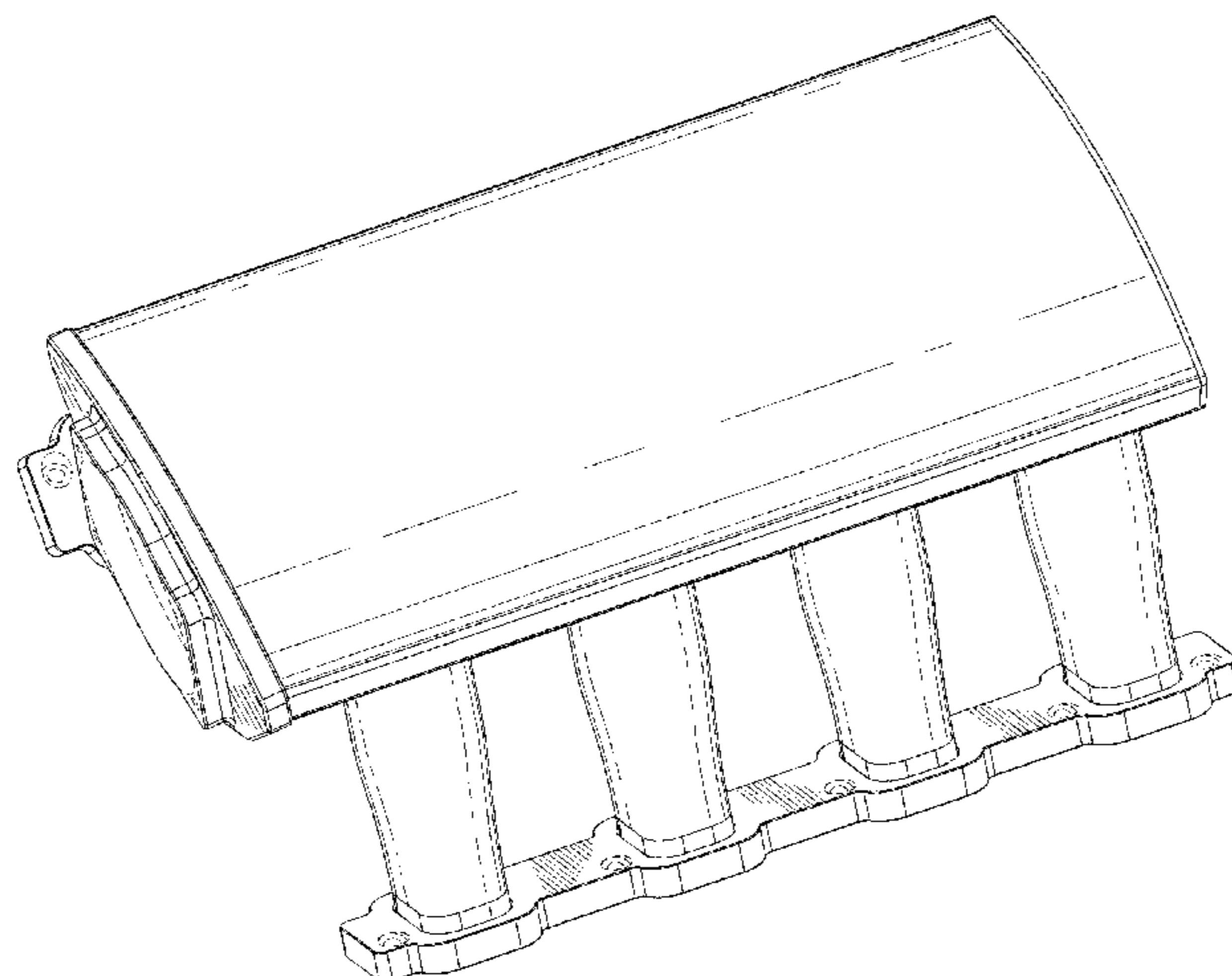
(Continued)

(56) **References Cited**

U.S. PATENT DOCUMENTS

4,925,510 A 5/1990 Hojo et al.  
D364,628 S 11/1995 Haller

(Continued)



The broken lines show features of the intake manifold that form no part of the claimed design.

**1 Claim, 7 Drawing Sheets**

(56)

**References Cited**

U.S. PATENT DOCUMENTS

5,494,011	A	2/1996	Haller	
D517,567	S	3/2006	Teeter	
7,086,365	B1	8/2006	Teeter	
D654,094	S	2/2012	Dralle	
8,122,864	B2	2/2012	Randall et al.	
8,220,430	B2	7/2012	Gupta	
D673,977	S	1/2013	Hsu et al.	
D673,979	S	1/2013	Finnican	
D674,408	S	1/2013	Hsu et al.	
D676,460	S	2/2013	Grubisich	
D677,699	S	3/2013	Finnican	
D677,700	S	3/2013	Hsu et al.	
D680,132	S	4/2013	Finnican	
D688,614	S	8/2013	Meulen	
D700,557	S	3/2014	Glaeser	
D737,862	S	9/2015	Finnican	
9,273,653	B2	3/2016	Wilson	
9,617,957	B2	4/2017	Shinkai et al.	
D802,628	S	11/2017	Fischetto	
D812,100	S	3/2018	Litchfield	
D814,523	S	4/2018	Vaninetti et al.	
2010/0269777	A1	10/2010	Jasper	
2011/0168120	A1*	7/2011	Bruman	F02B 27/00 123/184.35
2011/0169186	A1	7/2011	Bruman et al.	
2017/0067424	A1	3/2017	Krogdhal	
2017/0175688	A1	6/2017	Nola et al.	
2017/0204817	A1	7/2017	Nola	
2017/0211527	A1	7/2017	Nola	
2019/0128221	A1	5/2019	Tiramani et al.	

FOREIGN PATENT DOCUMENTS

EP	1772615	A2	4/2007	
JP	2000130275	A *	5/2000	F02B 75/22

OTHER PUBLICATIONS

amazon.com: “ JEGS Performance Products 513056 Fabricated Intake Manifold 2011-2014 Ford 5.0L: Automotive”, 5 pages, retrieved from the Internet <URL: [https://www.amazon.com/...rd\\_wg=aiTq0&pf\\_rd\\_p=7cd8f929-4335-4bf2-a554-7d7588b3dd5f&pf\\_](https://www.amazon.com/...rd_wg=aiTq0&pf_rd_p=7cd8f929-4335-4bf2-a554-7d7588b3dd5f&pf_)

rd\_r=XKMJJXZPC1G97VMEXBFW&psc=1&refRID=XKMJJXZPC1G97VMEXBFW> [retrieved on Feb. 27, 2020].  
amazon.com: “2JZ GTE Tig Welded Sheet Metal intake W/Rails and 90mm Thottle body”, 6 pages, retrieved from the Internet <URL: [https://www.amazon.com/Welded-Sheet-Metal-intake-Thottle/dp/B0748Y6QJP/ref=sr\\_1\\_1?dchild=1&keywords=B0748Y6QJP&qid=1591320393&s=automotive&sr=1-1](https://www.amazon.com/Welded-Sheet-Metal-intake-Thottle/dp/B0748Y6QJP/ref=sr_1_1?dchild=1&keywords=B0748Y6QJP&qid=1591320393&s=automotive&sr=1-1)>, [retrieved 2017].  
amazon.com: “Billet Custom Intake Manifold Kit for 1993+ and up Supra MK4 2JZ-GTE w/ 90MM Throttle Body & Hi Flow Fuel Rail”, 5 pages, retrieved from the Internet <URL: [https://www.amazon.com/TOYOTA-2JZ-GTE-CUSTOM-MANI\\_FOLD-THROTTLE/dp/B071F9CT8Q/ref=sr\\_1\\_16?dchild=1&keywords=manifold&qid=1591156534&sr=8-16&srs=20639935011](https://www.amazon.com/TOYOTA-2JZ-GTE-CUSTOM-MANI_FOLD-THROTTLE/dp/B071F9CT8Q/ref=sr_1_16?dchild=1&keywords=manifold&qid=1591156534&sr=8-16&srs=20639935011)>, [retrieved on Jun. 2, 2020].  
amazon.com: search results for “intake manifold deepmotor search”, 7 pages, retrieved from the internet <URL: [https://www.amazon.com/s?k=intake+manifold+deepmotor&ref=nb\\_sb\\_noss\\_2](https://www.amazon.com/s?k=intake+manifold+deepmotor&ref=nb_sb_noss_2)>[retrieved on Jun. 2, 2020].  
amazon.com: “A-Team Performance Intake Manifold 102mm Throttle Body Sheet Metal Fabricated EFI 15° Throttle Opening Compatible with Chevrolet Chevy GMC Pontiac LS LS1 LS2 LS6 Black”, 7 pages, retrieved from the Internet <URL: [https://www.amazon.com/Team-Performance-Fabricated-Compatible-Chevrolet/dp/B076Z97CCW/ref=cm\\_cr\\_arp\\_d\\_product\\_top?ie=UTF8](https://www.amazon.com/Team-Performance-Fabricated-Compatible-Chevrolet/dp/B076Z97CCW/ref=cm_cr_arp_d_product_top?ie=UTF8)>[retrieved on Feb. 22, 2021].  
amazon.com: “Sniper 822112-1 Black Low-Profile Sheet Metal Fabricated Intake Manifold for LS3/L92 w/ 102mm Throttle Body Opening & Fuel Rail Kit”, 5 pages, retrieved from the Internet <URL: [https://www.amazon.com/Sniper-822112-1-Low-Profile-Fabricated-Manifold/dp/B07RLMX385/ref=sr\\_1\\_4?keywords=LS3+L92+intake+manifold+with+fuel+rail+kit+102mm&qid=1582846561&s=automotive&sr=1-4](https://www.amazon.com/Sniper-822112-1-Low-Profile-Fabricated-Manifold/dp/B07RLMX385/ref=sr_1_4?keywords=LS3+L92+intake+manifold+with+fuel+rail+kit+102mm&qid=1582846561&s=automotive&sr=1-4)>[retrieved on Feb. 27, 2020].  
amazon.com: “BMW N54 3.0L TIG Weld Intake Manifold 135i 335i 535i E90 to E93 E60 E61 E82 E88”, 5 pages, retrieved from the Internet <URL: [https://www.amazon.com/3-0L-Weld-Intake-Manifold-135i/dp/B07B7D1VT2/ref=sr\\_1\\_fkmr1\\_2?keywords=B+MW+N+54+Billet+Intake+U+Manifold&qid=1582652714&s=automotive&sr=1-2-fkmr1](https://www.amazon.com/3-0L-Weld-Intake-Manifold-135i/dp/B07B7D1VT2/ref=sr_1_fkmr1_2?keywords=B+MW+N+54+Billet+Intake+U+Manifold&qid=1582652714&s=automotive&sr=1-2-fkmr1)>[retrieved on Feb. 25, 2020].  
ebay.com: “Items for sale by deepmo\_64 | ebay”, 3 pages, retrieved from the internet <URL: [https://www.ebay.com/sch/deepmo\\_64/m.html?nkw=&\\_armrs=1&\\_from=&jpg=200&rt=>](https://www.ebay.com/sch/deepmo_64/m.html?nkw=&_armrs=1&_from=&jpg=200&rt=>)>[retrieved on Jun. 2, 2020].  
amazon.com: “Tig welding Aluminum Intake Manifold for BMW N54 3.0L: Automotive”, 5 pages, retrieved from the internet <URL: [https://www.amazon.com/Welded-Aluminum-Intake-Manifold-3-0L/dp/B07KTJNKL8/ref=pd\\_sbs\\_263\\_1/147-9724501-2684428?\\_encoding=UTF8&pdJdj=B07KTJNKL8&pd\\_rd\\_r=35f0a955-e3c3-4984-b6c2-ade6c7d97cOc&pd\\_rd\\_w=bmcnb&pd\\_rd\\_wg=4Z199&pUd\\_p=7cd8f929-4345-4bf2-a5544-7d7588b3dd5f&pUd\\_r=5HNTFPF2563487W1BVR4&psc=1&refRID=5HNTFPF25](https://www.amazon.com/Welded-Aluminum-Intake-Manifold-3-0L/dp/B07KTJNKL8/ref=pd_sbs_263_1/147-9724501-2684428?_encoding=UTF8&pdJdj=B07KTJNKL8&pd_rd_r=35f0a955-e3c3-4984-b6c2-ade6c7d97cOc&pd_rd_w=bmcnb&pd_rd_wg=4Z199&pUd_p=7cd8f929-4345-4bf2-a5544-7d7588b3dd5f&pUd_r=5HNTFPF2563487W1BVR4&psc=1&refRID=5HNTFPF25)> [retrieved Feb. 25, 2020].

\* cited by examiner



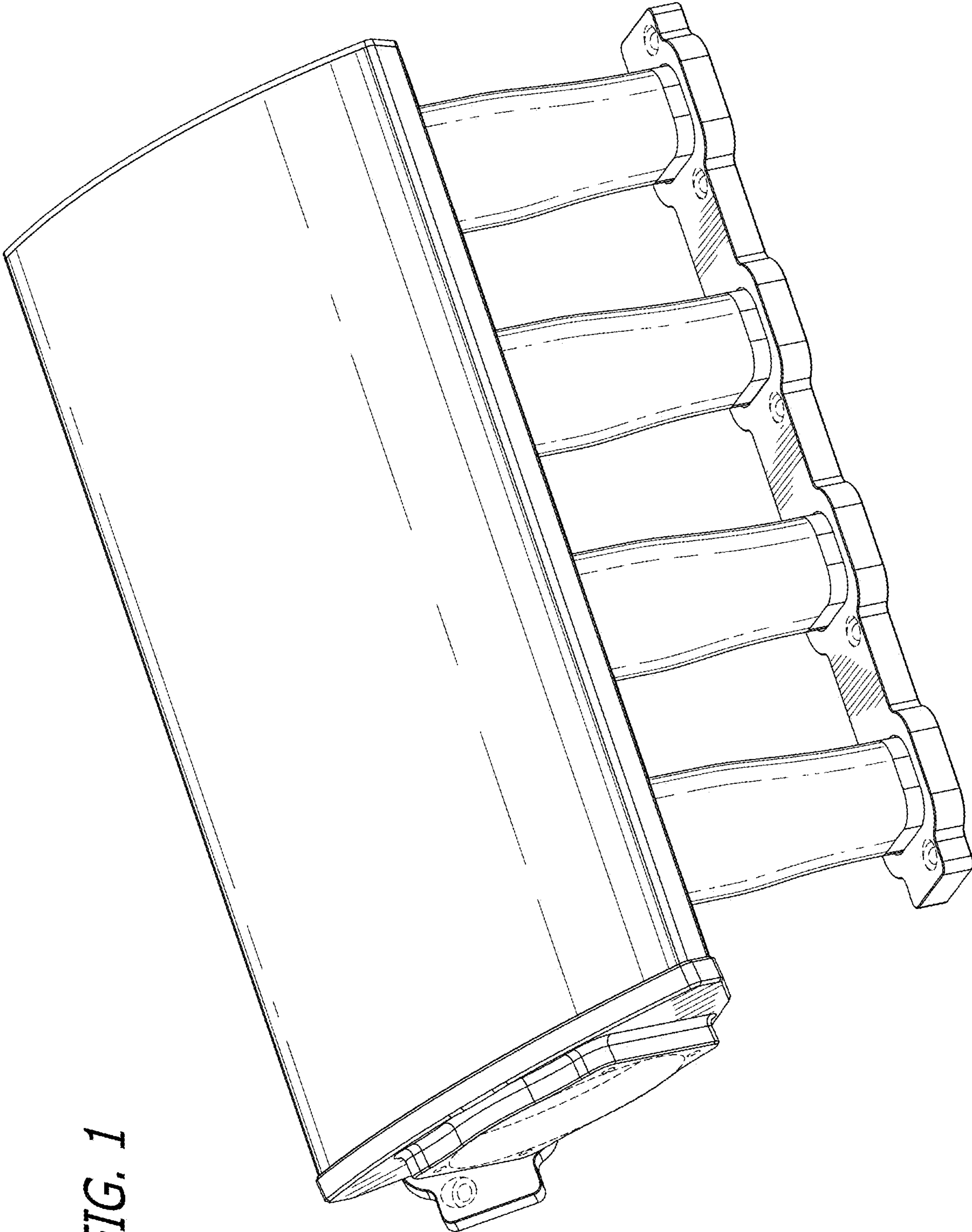


FIG. 1

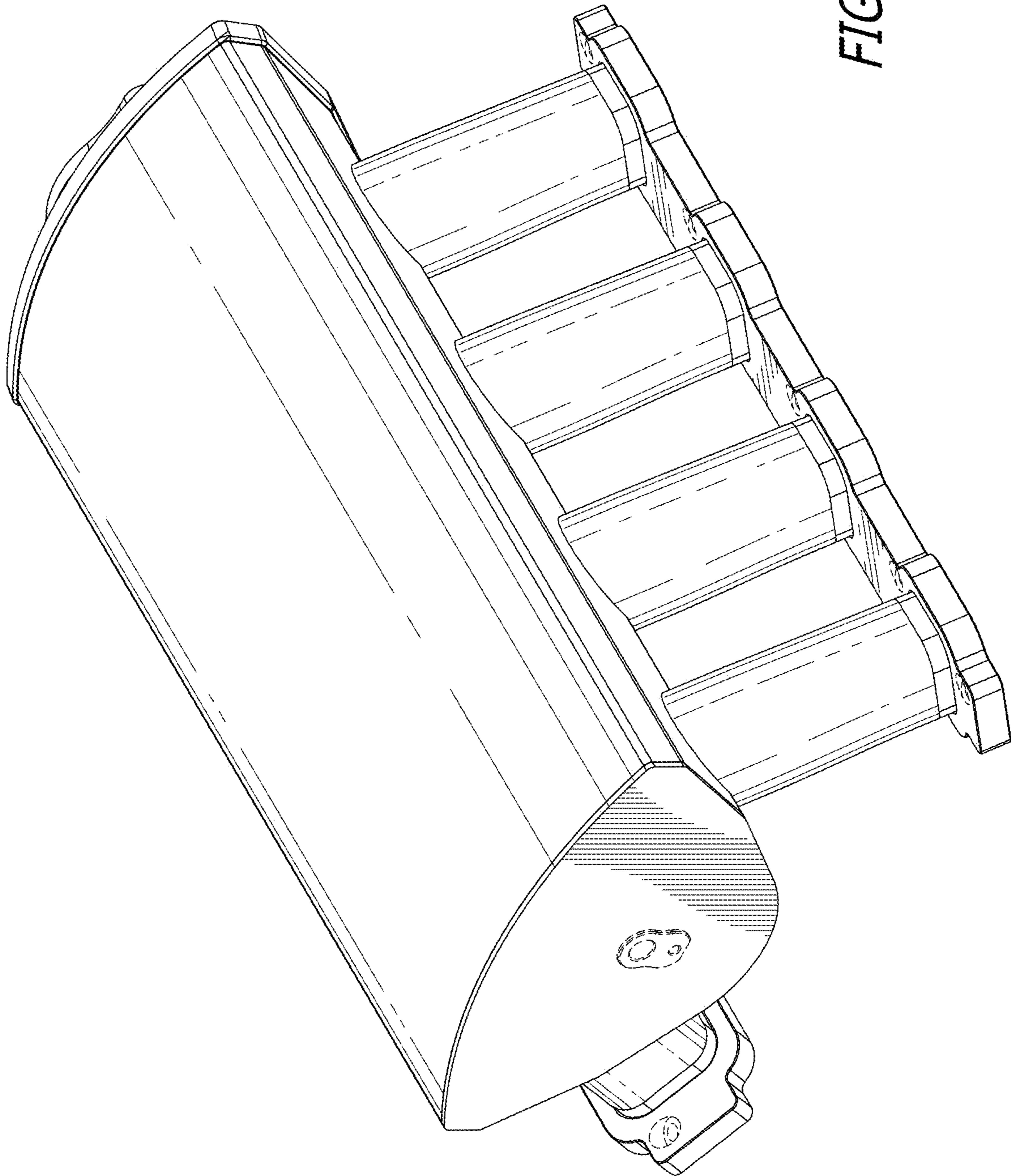


FIG. 2

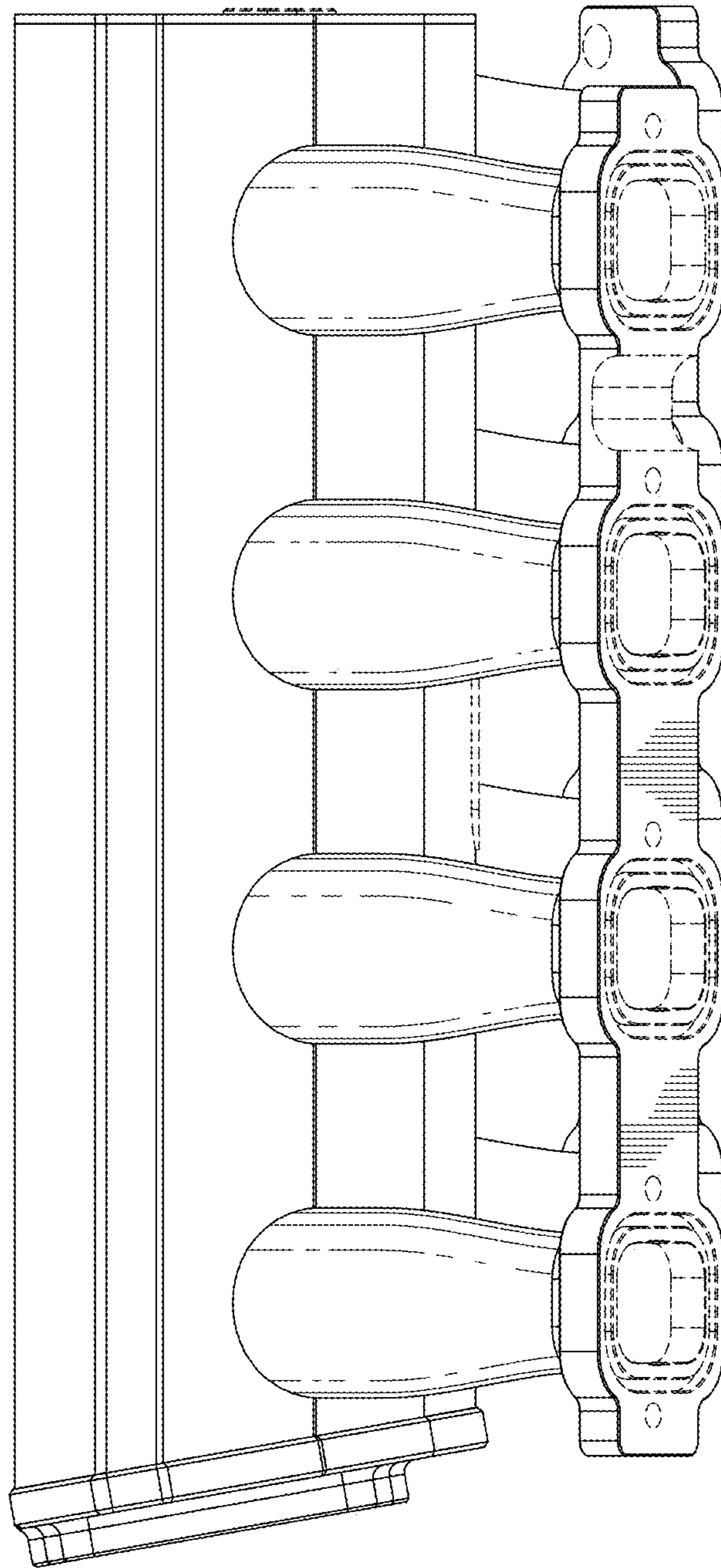


FIG. 3

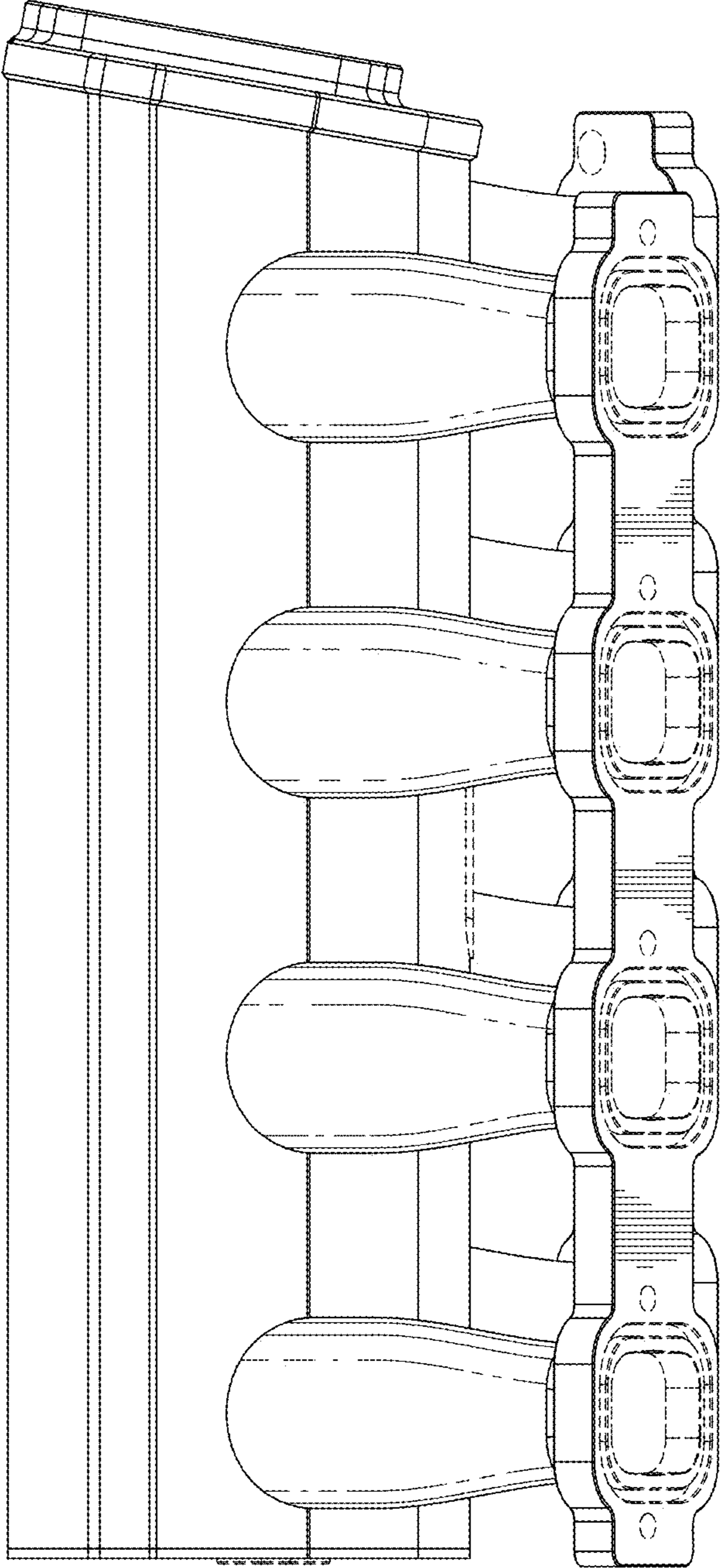
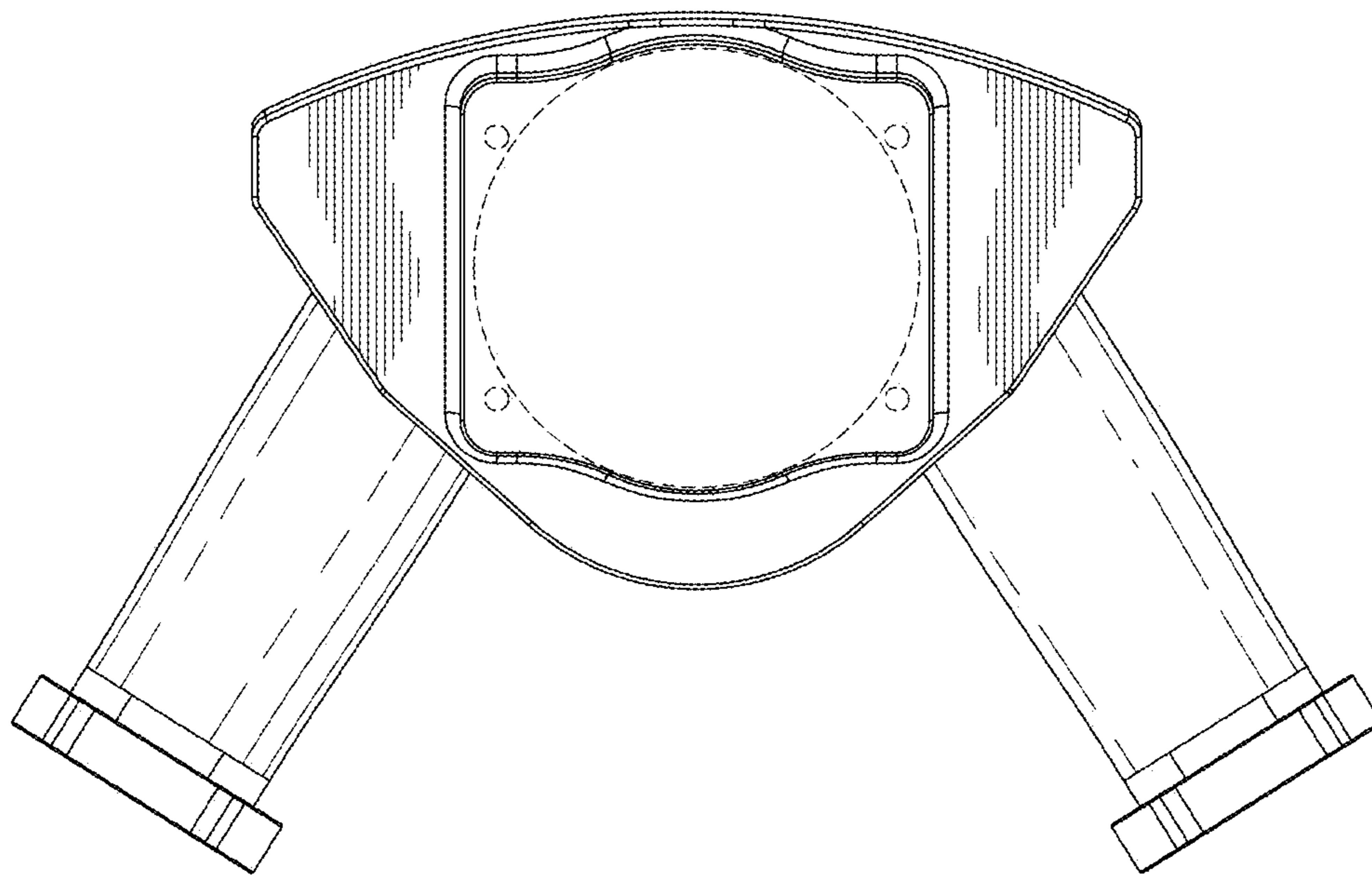
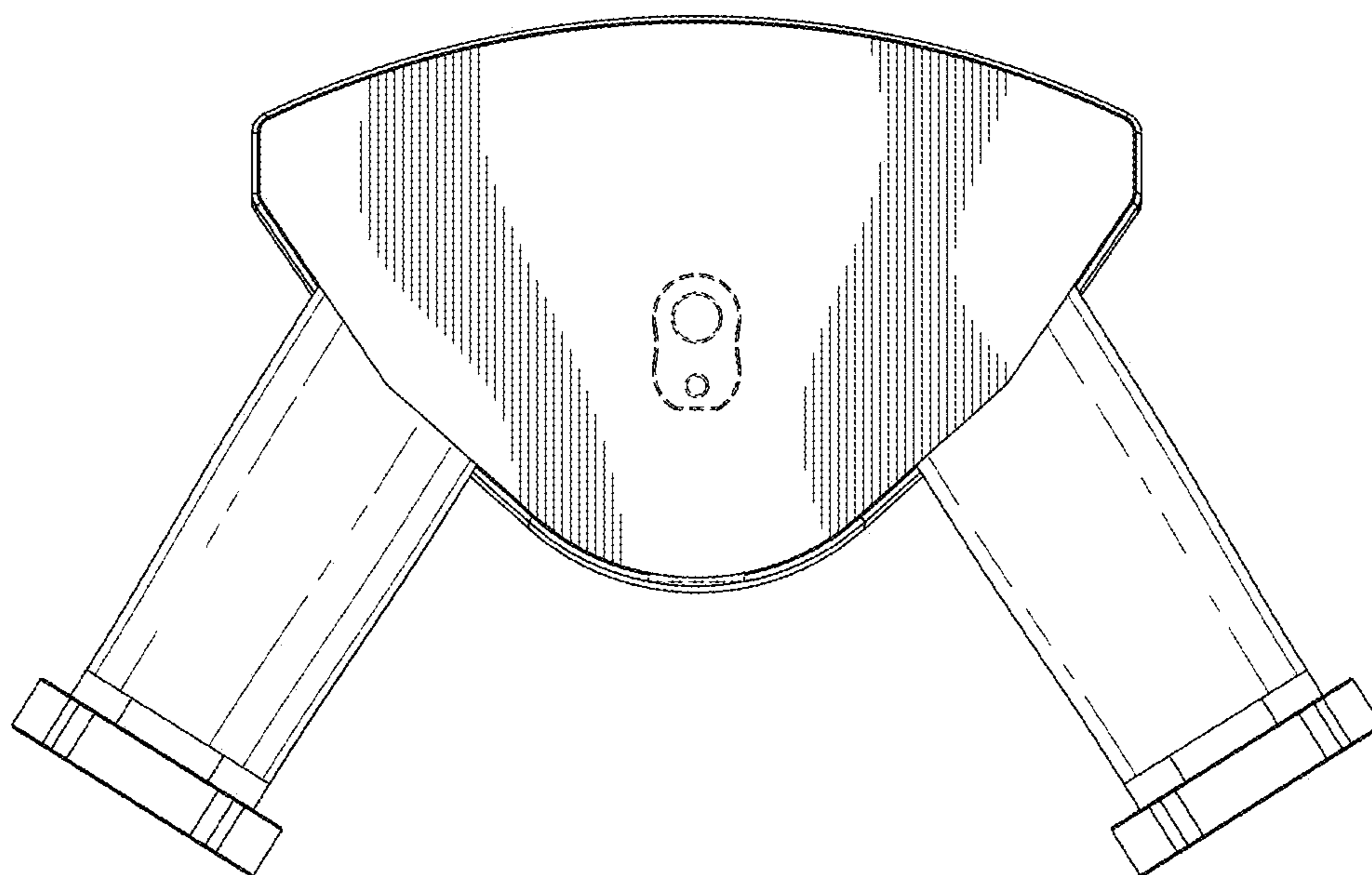


FIG. 4





*FIG. 5*



*FIG. 6*

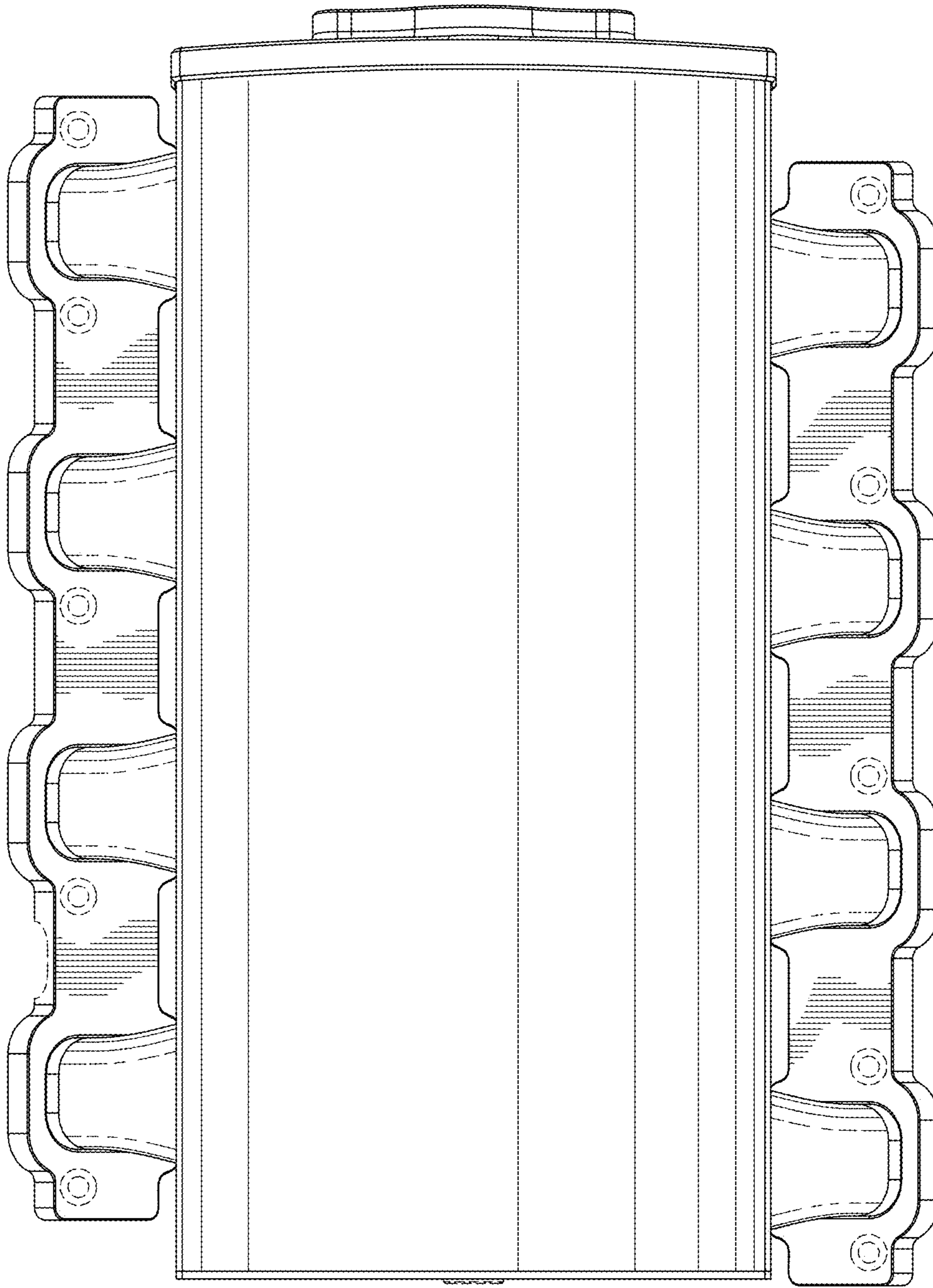


FIG. 7



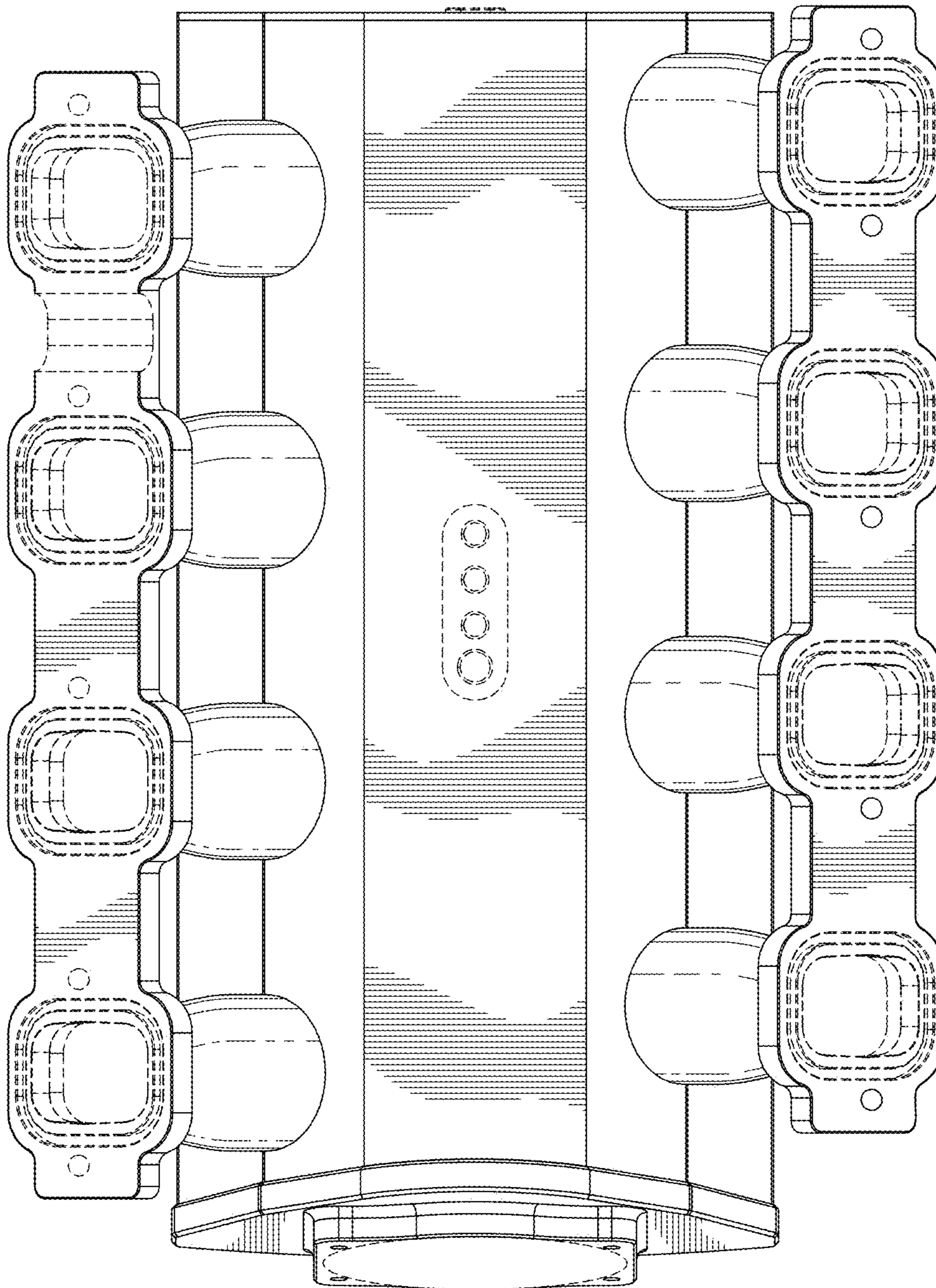


FIG. 8