



US00D962994S

(12) **United States Design Patent** (10) **Patent No.:** **US D962,994 S**  
**Wei** (45) **Date of Patent:** **\*\* Sep. 6, 2022**

(54) **INTAKE MANIFOLD**

(71) Applicant: **DeepMotor Inc**, Rancho Cucamonga, CA (US)

(72) Inventor: **Yong Wei**, Rancho Cucamonga, CA (US)

(73) Assignee: **DEEPMOTOR INC**, Rancho Cucamonga, CA (US)

(\*\*) Term: **15 Years**

(21) Appl. No.: **29/691,766**

(22) Filed: **May 19, 2019**

(51) **LOC (13) Cl.** ..... **15-01**

(52) **U.S. Cl.**  
USPC ..... **D15/5**

(58) **Field of Classification Search**  
USPC ..... D15/1, 2, 3, 4, 5, 6  
CPC ..... F02M 35/104; F02M 35/108; F02M 35/1085; F02M 35/116  
See application file for complete search history.

(56) **References Cited**

**U.S. PATENT DOCUMENTS**

D364,628 S	11/1995	Haller	
5,494,011 A	2/1996	Haller	
D654,094 S	2/2012	Dralle	
8,122,864 B2	2/2012	Randall et al.	
8,220,430 B2	7/2012	Gupta	
D673,979 S	1/2013	Finnican	
D677,699 S	3/2013	Finnican	
D680,132 S	4/2013	Finnican	
D737,862 S	9/2015	Finnican	
9,261,014 B2 *	2/2016	Buck	F02M 35/10085
9,273,653 B2	3/2016	Wilson	
9,617,957 B2	4/2017	Shinkai et al.	
D802,628 S	11/2017	Fischetto	
D812,100 S *	3/2018	Litchfield	D15/5
D814,523 S	4/2018	Vaninetti et al.	

D900,162 S *	10/2020	Wei	D15/5
2017/0175688 A1 *	6/2017	Nola	F02M 35/10072
2019/0128221 A1 *	5/2019	Tiramani	F02M 35/10091

**FOREIGN PATENT DOCUMENTS**

CN	303479863	12/2015
CN	303727690	6/2016

\* cited by examiner

*Primary Examiner* — Ania Aman

(74) *Attorney, Agent, or Firm* — Loza & Loza, LLP; Heidi Eisenhut

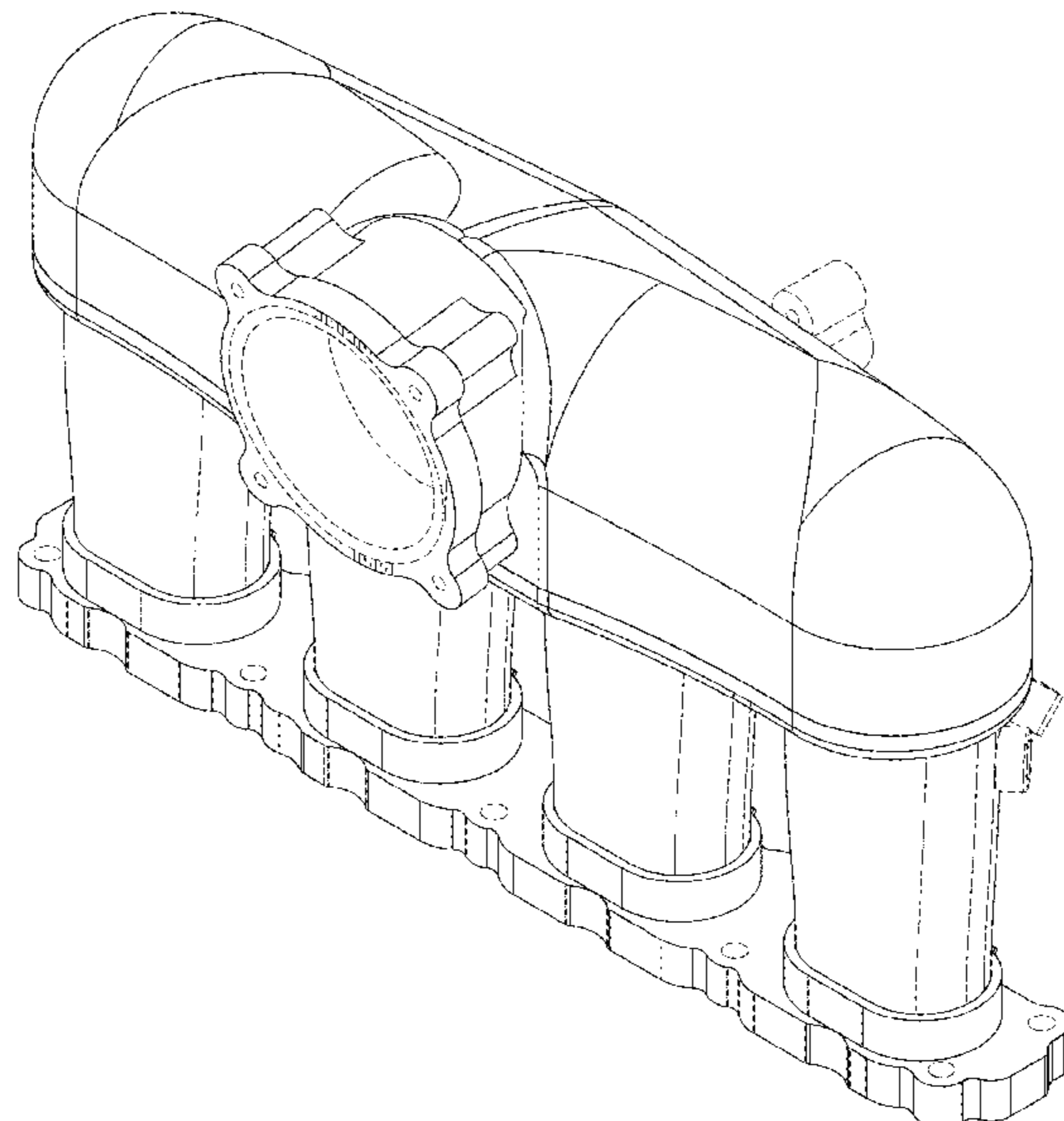
(57) **CLAIM**

The ornamental design for an intake manifold, as shown and described.

**DESCRIPTION**

FIG. 1 is a front, right, top perspective view of an intake manifold;  
 FIG. 2 is a rear, left, bottom perspective view of the intake manifold of FIG. 1;  
 FIG. 3 is a right side elevation view of the intake manifold of FIG. 1;  
 FIG. 4 is a left side elevation view of the intake manifold of FIG. 1;  
 FIG. 5 is a front elevation view of the intake manifold of FIG. 1;  
 FIG. 6 is a rear elevation view of the intake manifold of FIG. 1;  
 FIG. 7 is a top plan view of the intake manifold of FIG. 1; and,  
 FIG. 8 is a bottom plan view of the intake manifold of FIG. 1.  
 The broken lines show features of the intake manifold that form no part of the claimed design.

**1 Claim, 8 Drawing Sheets**



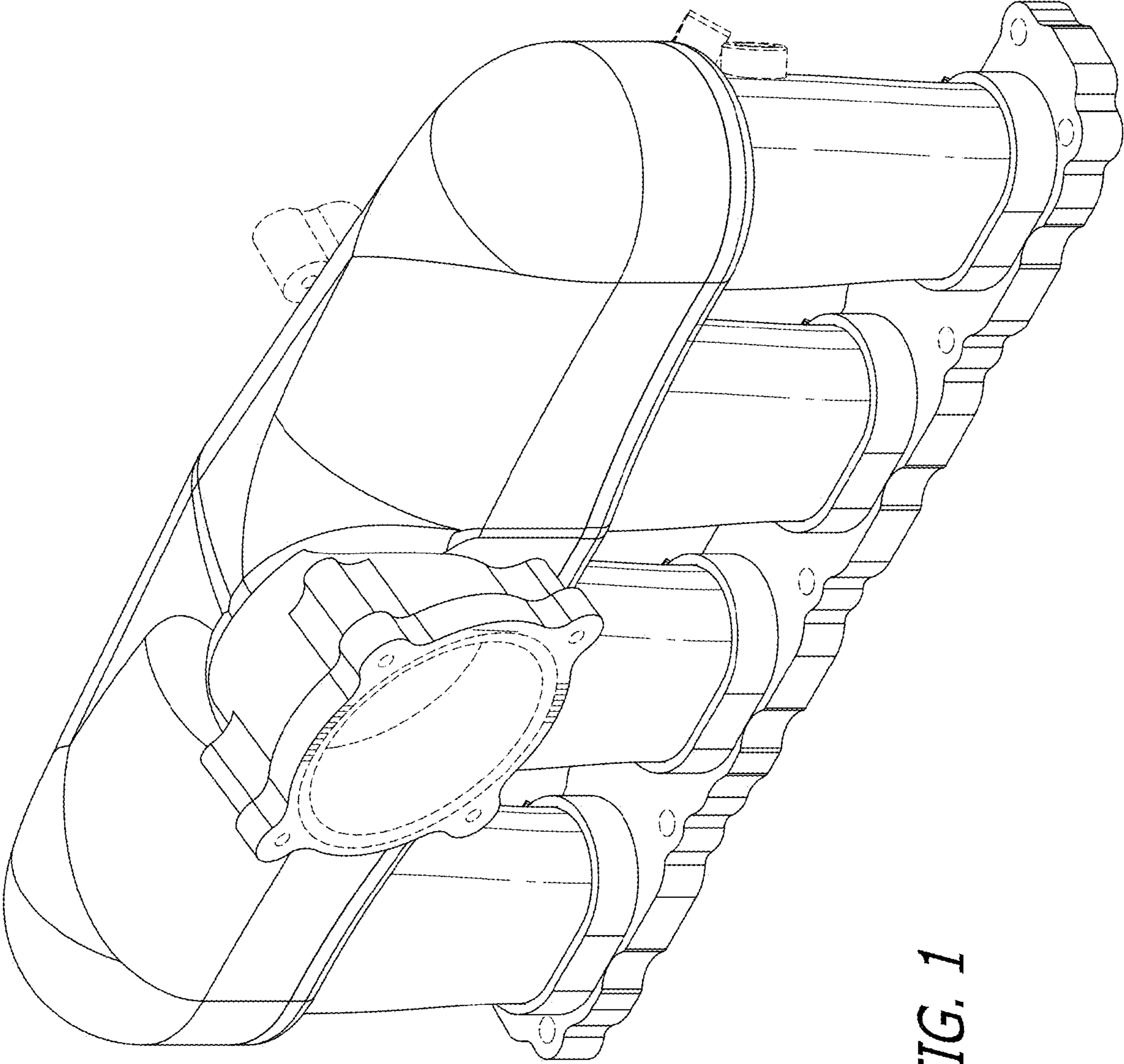


FIG. 1

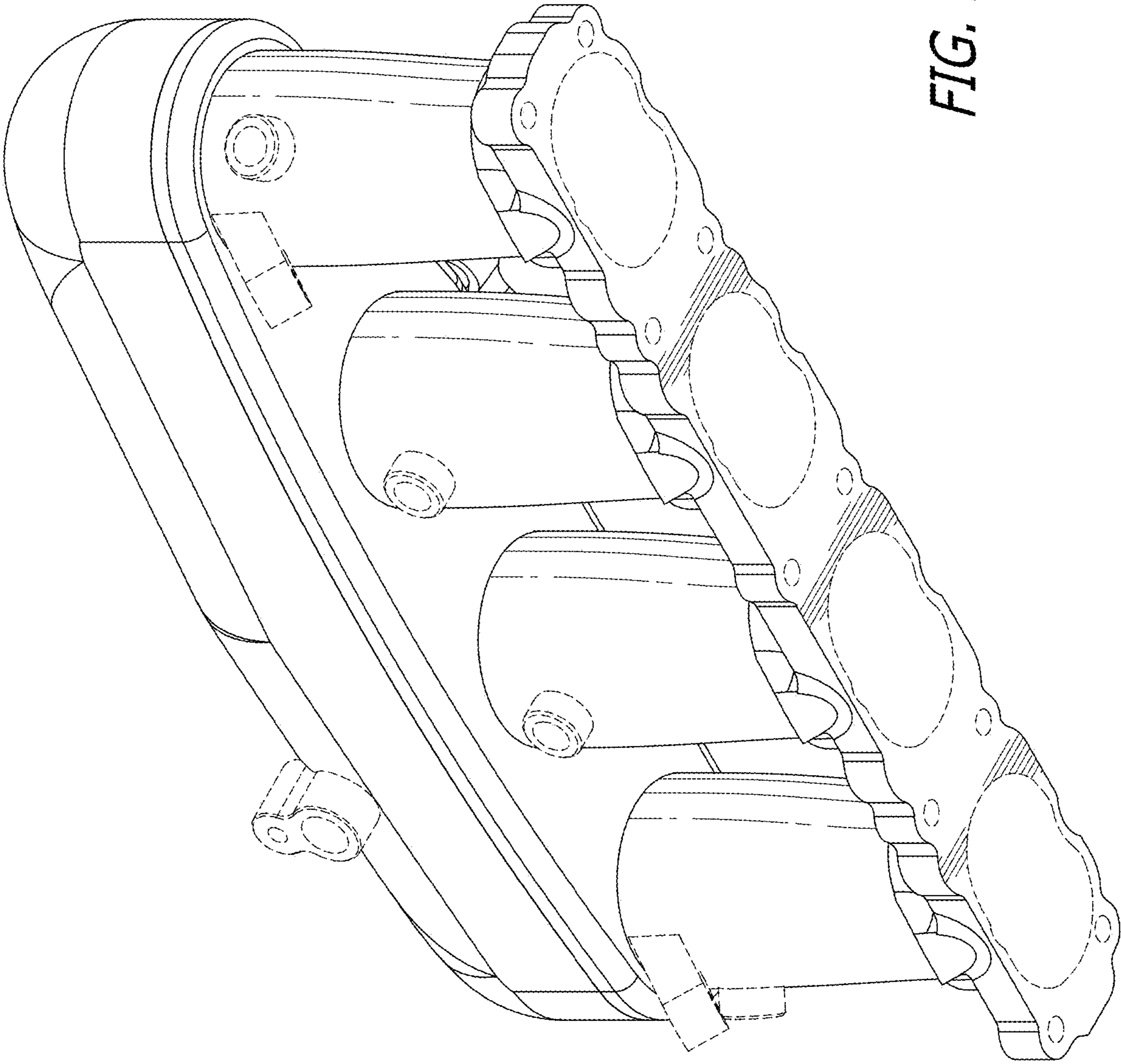


FIG. 2

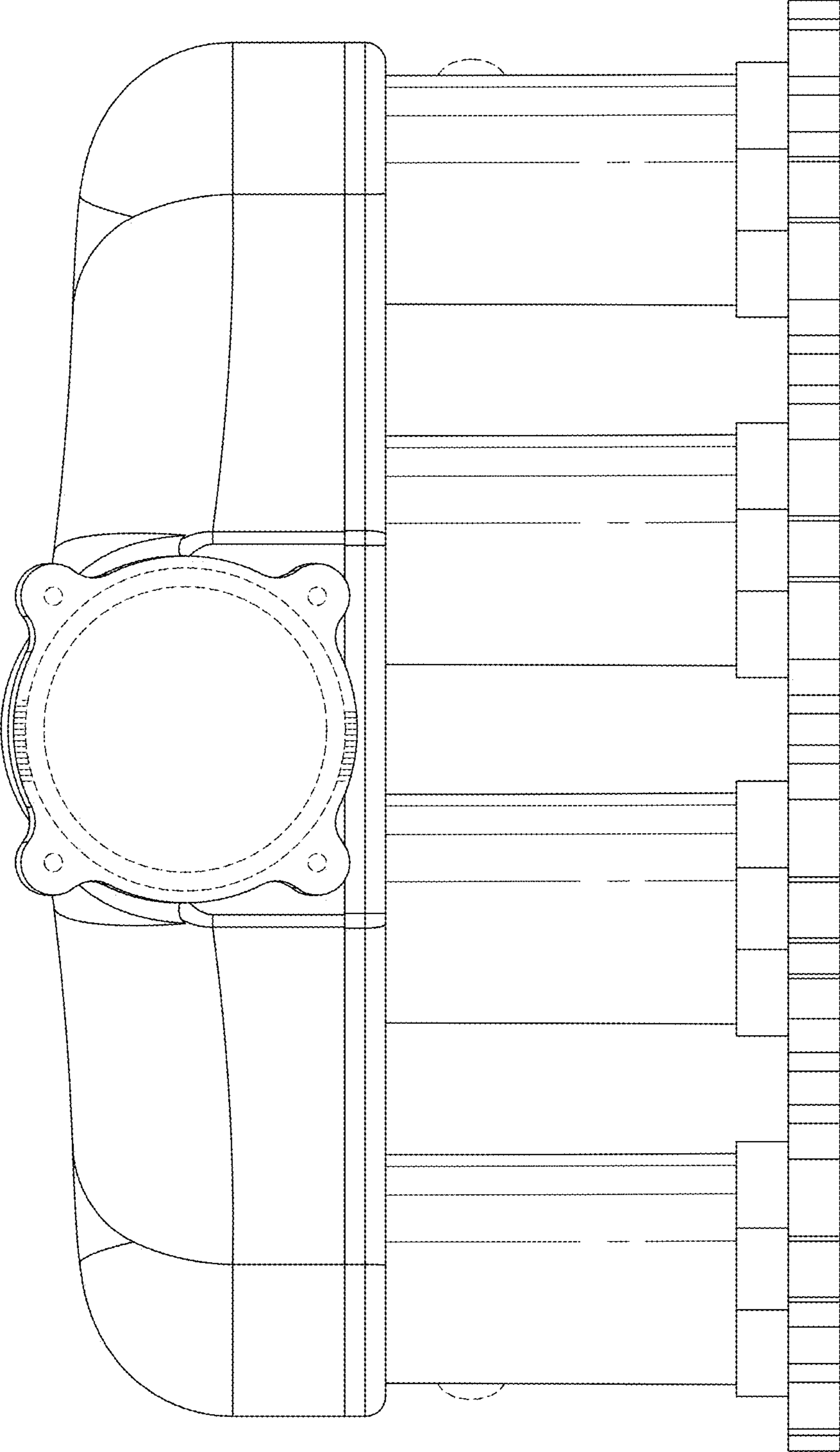


FIG. 3



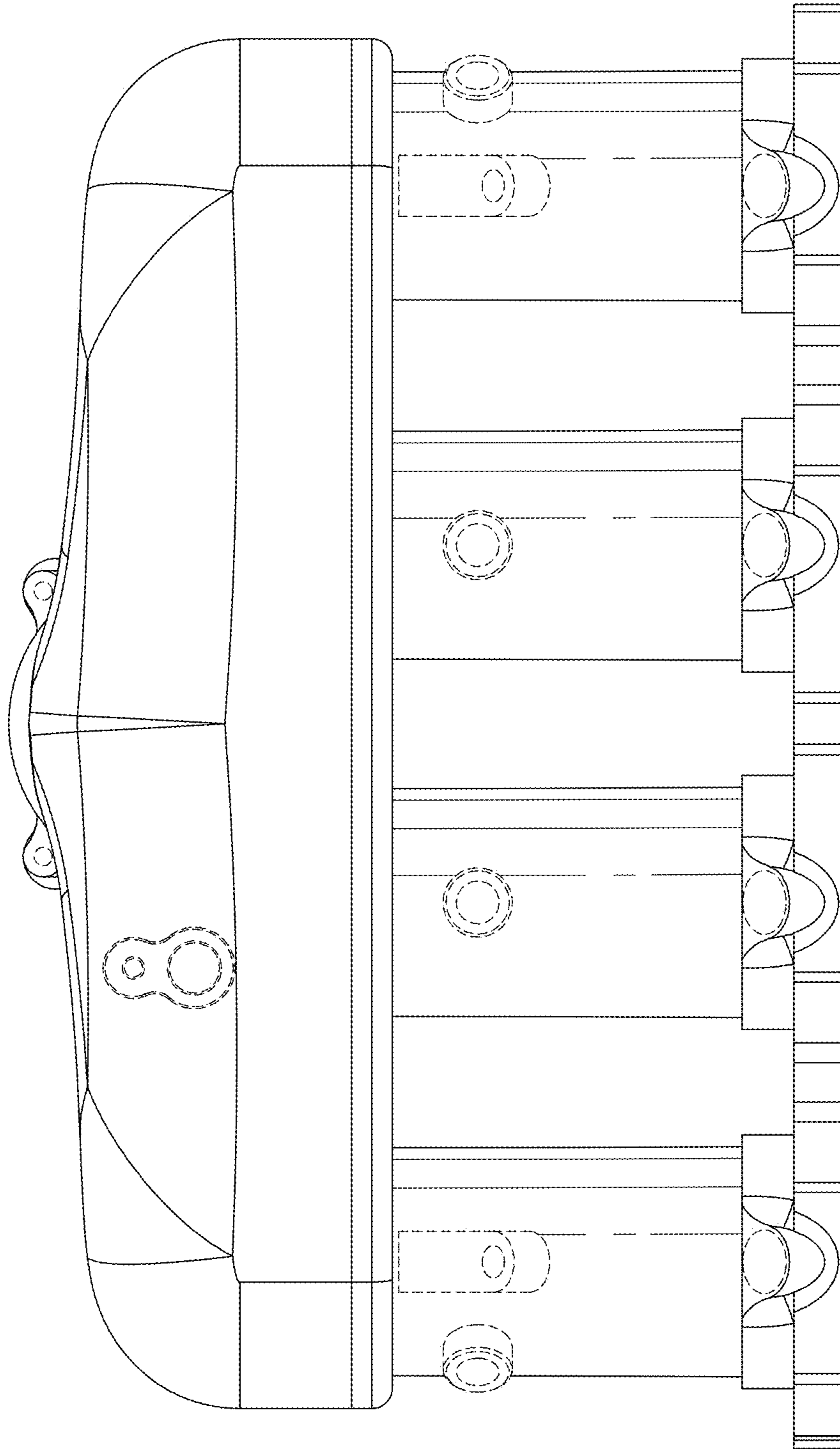


FIG. 4

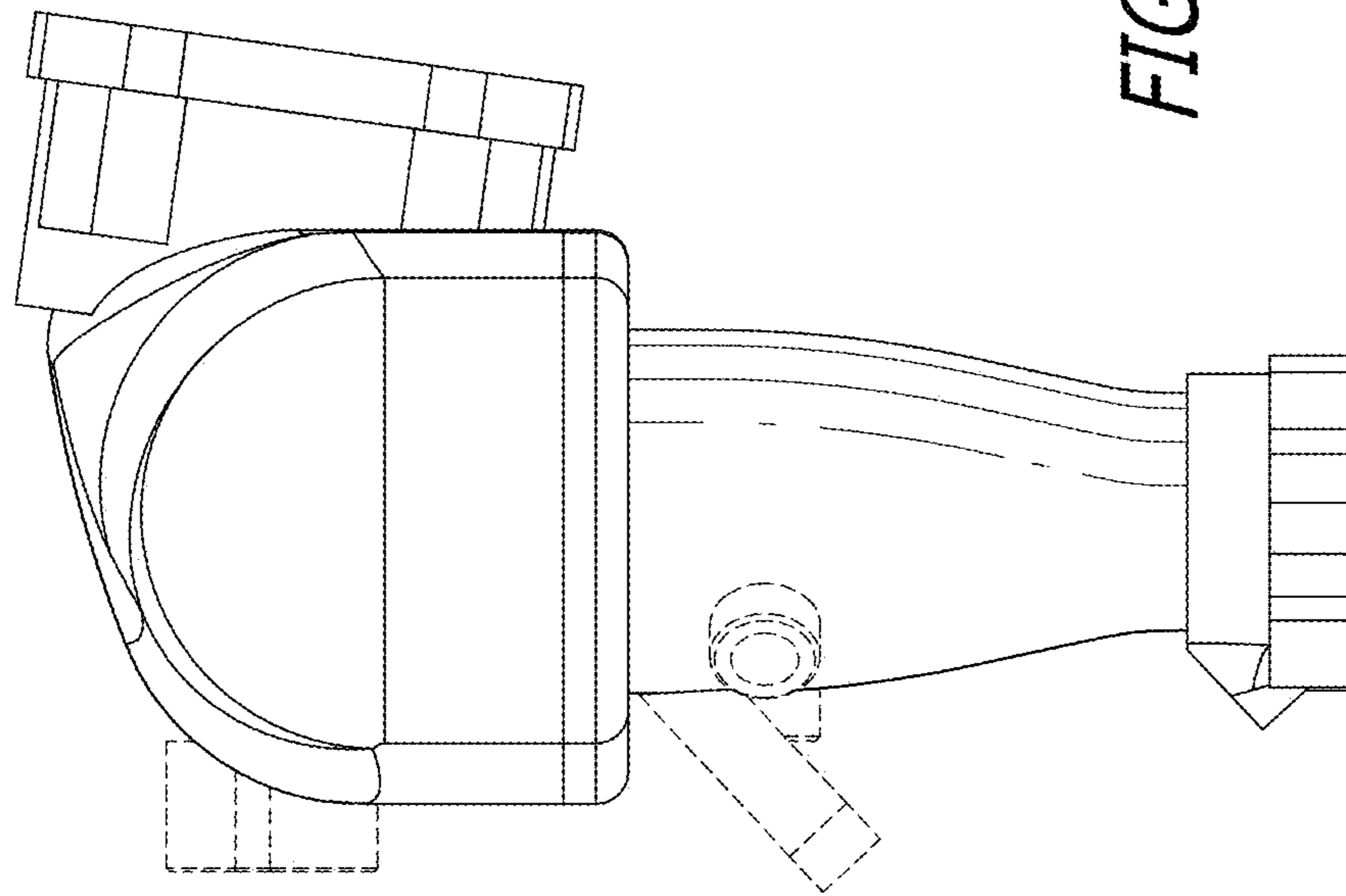


FIG. 5

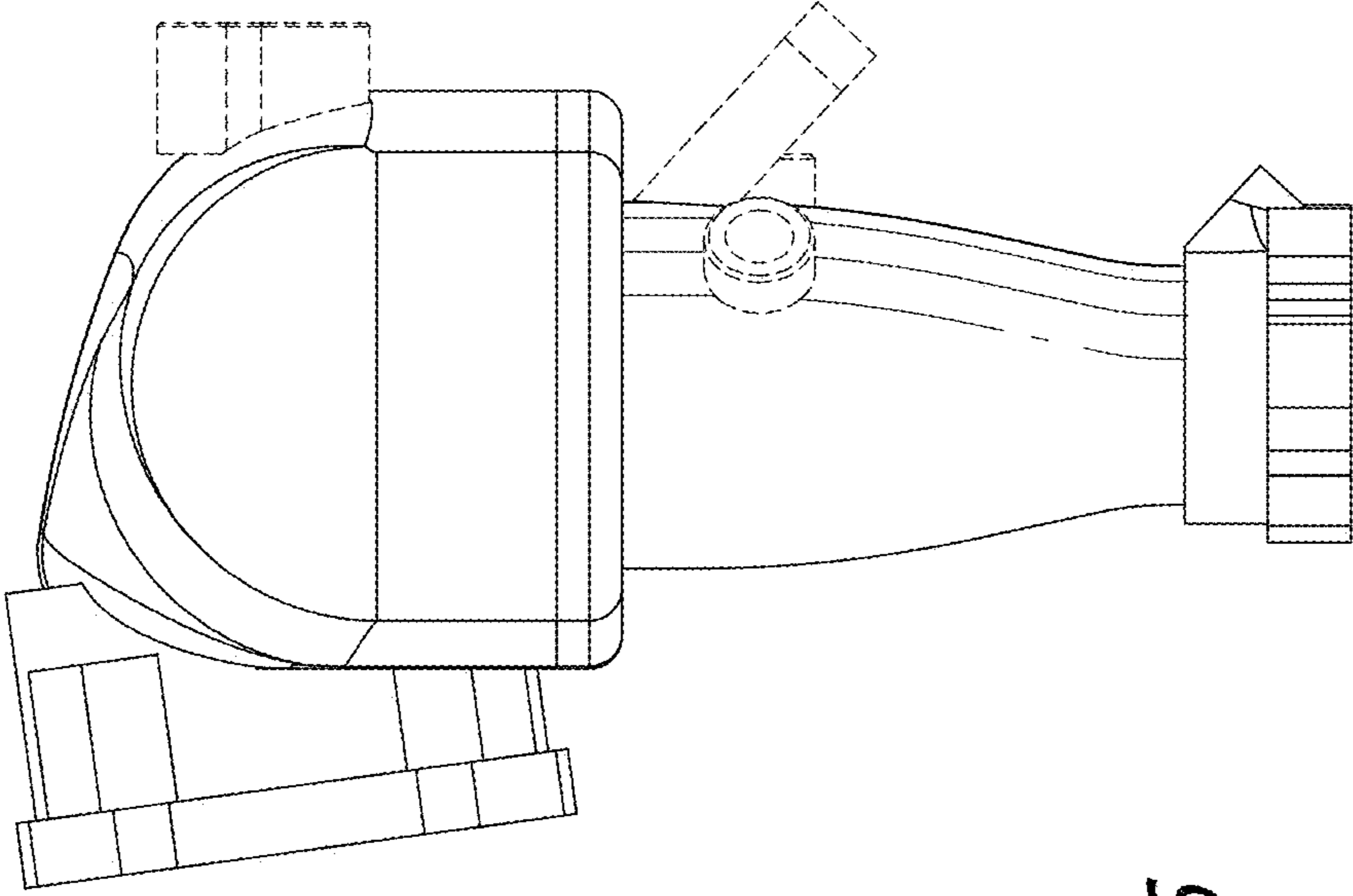


FIG. 6

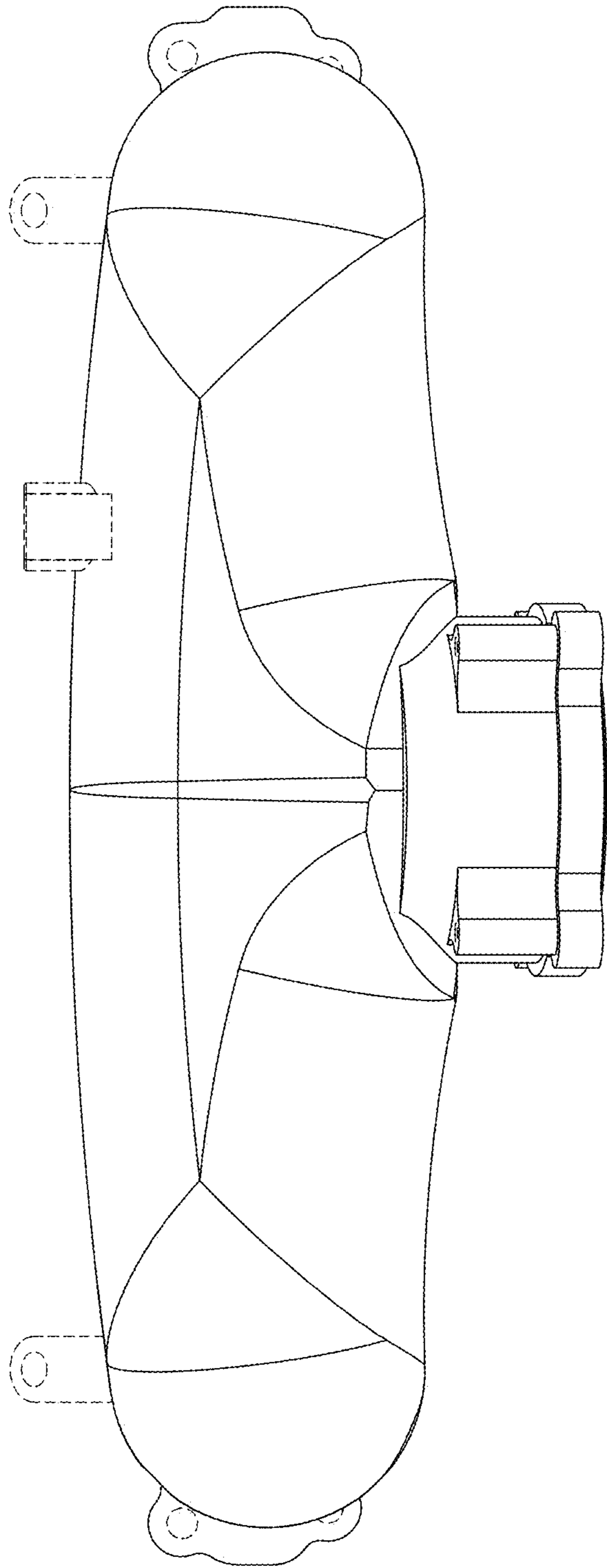


FIG. 7



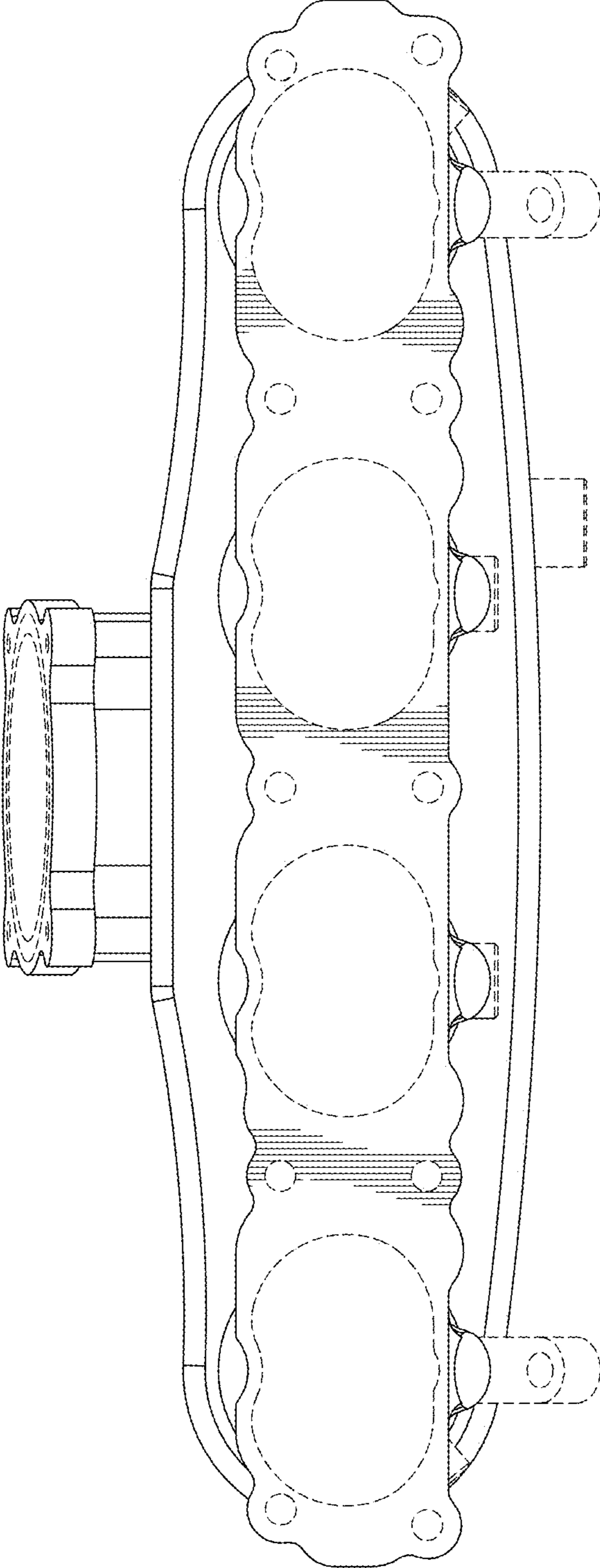


FIG. 8