



US00D962993S

(12) **United States Design Patent** (10) **Patent No.:** **US D962,993 S**
Lewis, Jr. et al. (45) **Date of Patent:** **** Sep. 6, 2022**

(54) **TWO-STAGE ENGINE CHARGE AIR SYSTEM WITH BRANCH CONDUITS**

(71) Applicant: **CUMMINS INC.**, Columbus, IN (US)

(72) Inventors: **Rick V. Lewis, Jr.**, Franklin, IN (US);
Francois Ntone, Columbus, IN (US);
Robin J. Bremmer, Columbus, IN (US);
Philippe F. Saad, Columbus, IN (US);
Johnny Chung-Yin Tsai, Columbus, IN (US);
Nikhil J. Ajotikar, Columbus, IN (US)

(73) Assignee: **CUMMINS INC.**, Columbus, IN (US)

(**) Term: **15 Years**

(21) Appl. No.: **29/643,013**

(22) Filed: **Apr. 3, 2018**

Related U.S. Application Data

(63) Continuation of application No. 29/536,553, filed on Aug. 18, 2015, now abandoned.

(51) **LOC (13) Cl.** **15-01**

(52) **U.S. Cl.**
USPC **D15/5**

(58) **Field of Classification Search**
USPC D15/1-6
CPC F01N 2340/06; F01N 13/10; F02B 33/00;
F02B 33/40; F02B 37/00; F02B 33/44;
F02M 35/10
See application file for complete search history.

(56) **References Cited**

U.S. PATENT DOCUMENTS

D224,169 S 7/1972 Rudd
6,564,783 B2* 5/2003 Chou F02B 37/013
123/559.1

7,028,679 B2 4/2006 Hillman
D665,425 S 8/2012 Genter
8,439,020 B1 5/2013 Carlson
D685,820 S 7/2013 Okuda et al.
D704,740 S 5/2014 Bellinger
D710,899 S 8/2014 Kuehner
D797,151 S 9/2017 Bonanni et al.
9,903,324 B2 2/2018 Nishimura et al.
10,100,786 B2* 10/2018 Bremmer F02B 37/004
2001/0039934 A1 11/2001 Ohrnberger et al.
2012/0255299 A1* 10/2012 Gunkel F02B 67/10
60/605.2
2015/0083083 A1 3/2015 Maetani
2017/0082041 A1 3/2017 Hirose

* cited by examiner

Primary Examiner — Ania Aman

(74) *Attorney, Agent, or Firm* — Faegre, Drinker, Biddle & Reath LLP

(57) **CLAIM**

We claim the ornamental design for a two-stage engine charge air system with branch conduits, as shown and described.

DESCRIPTION

FIG. 1 is a perspective view of a two-stage engine charge air system with branch conduits, where an outline of an engine block and various other engine parts are shown in broken lines;

FIG. 2 is a front plan view of the system of FIG. 1;

FIG. 3 is a rear plan view of the system of FIG. 1;

FIG. 4 is a right-side plan view of the system of FIG. 1;

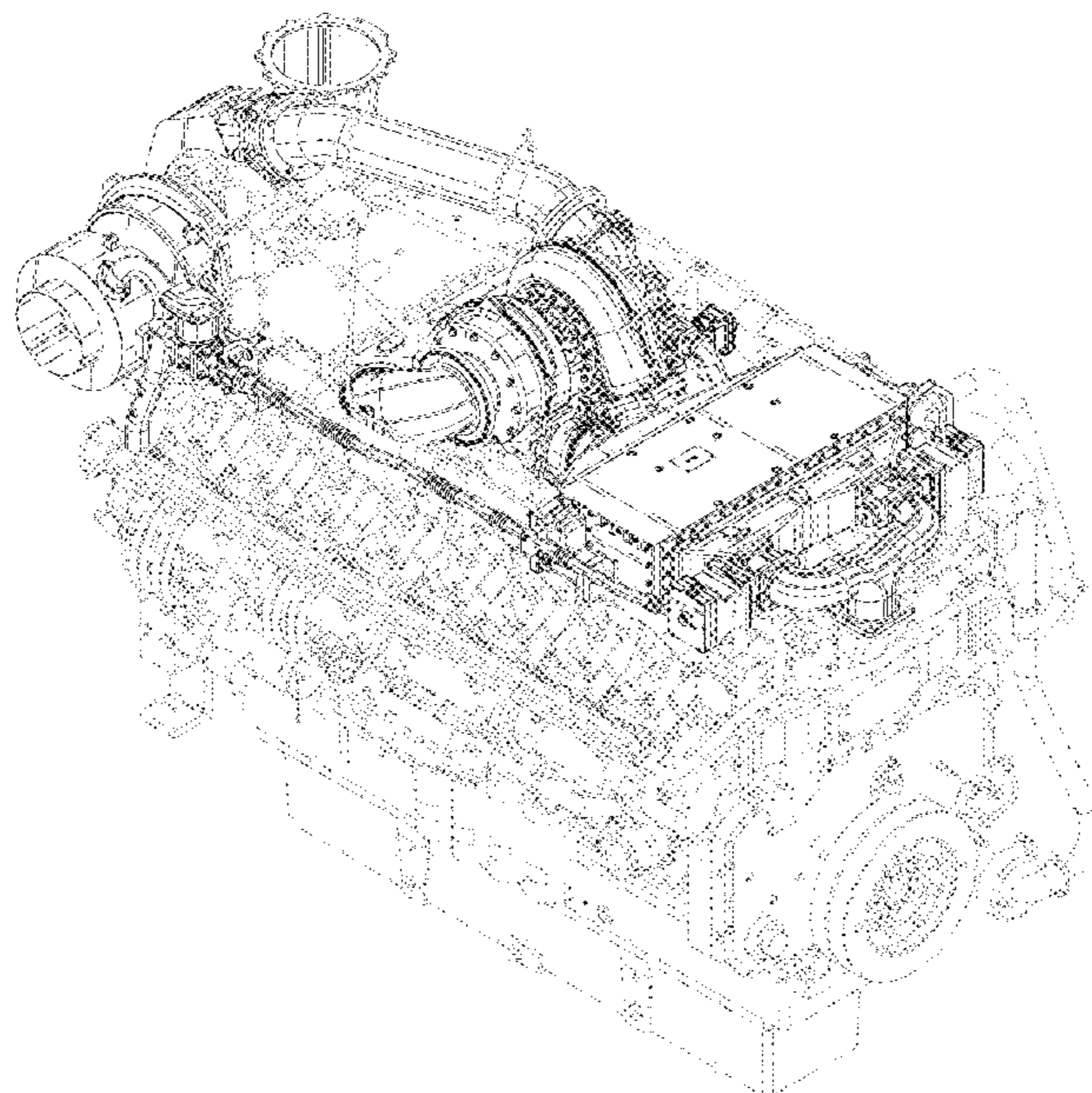
FIG. 5 is a left-side plan view of the system of FIG. 1;

FIG. 6 is a top view of the system of FIG. 1; and,

FIG. 7 is a bottom view of the system of FIG. 1.

The broken lines shown in the views depict environmental subject matter only and form no part of the claimed design.

1 Claim, 7 Drawing Sheets



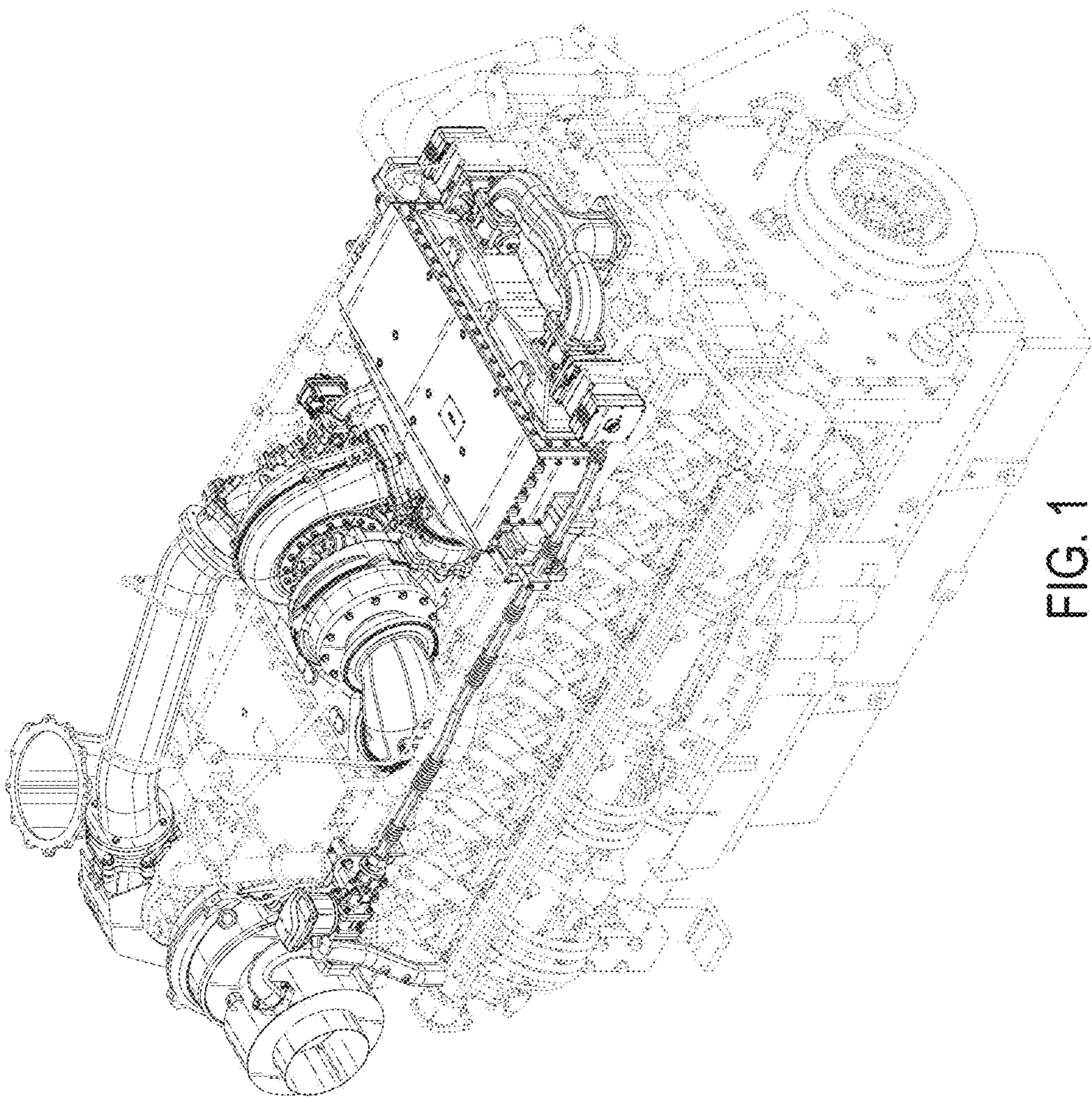


FIG. 1

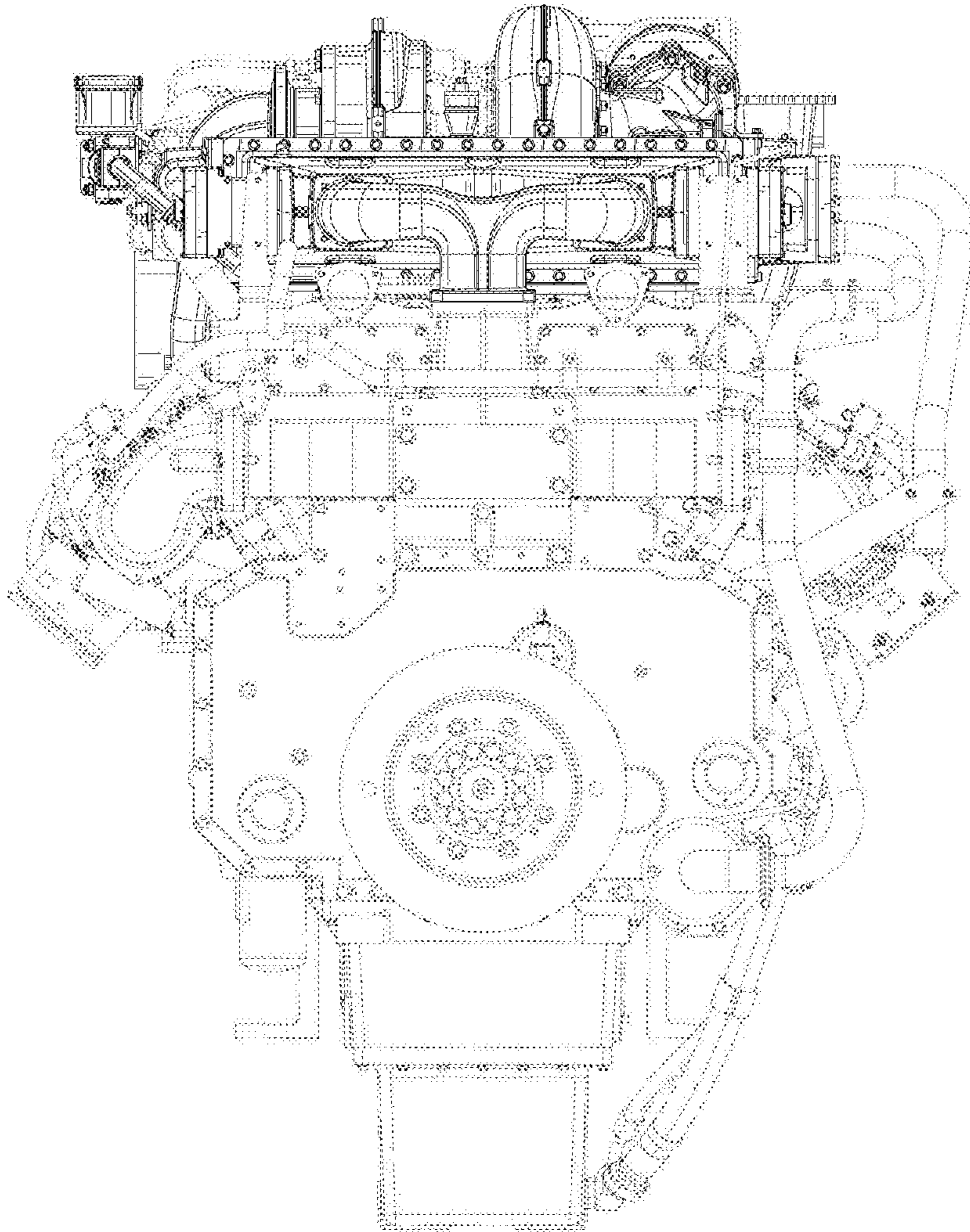


FIG. 2

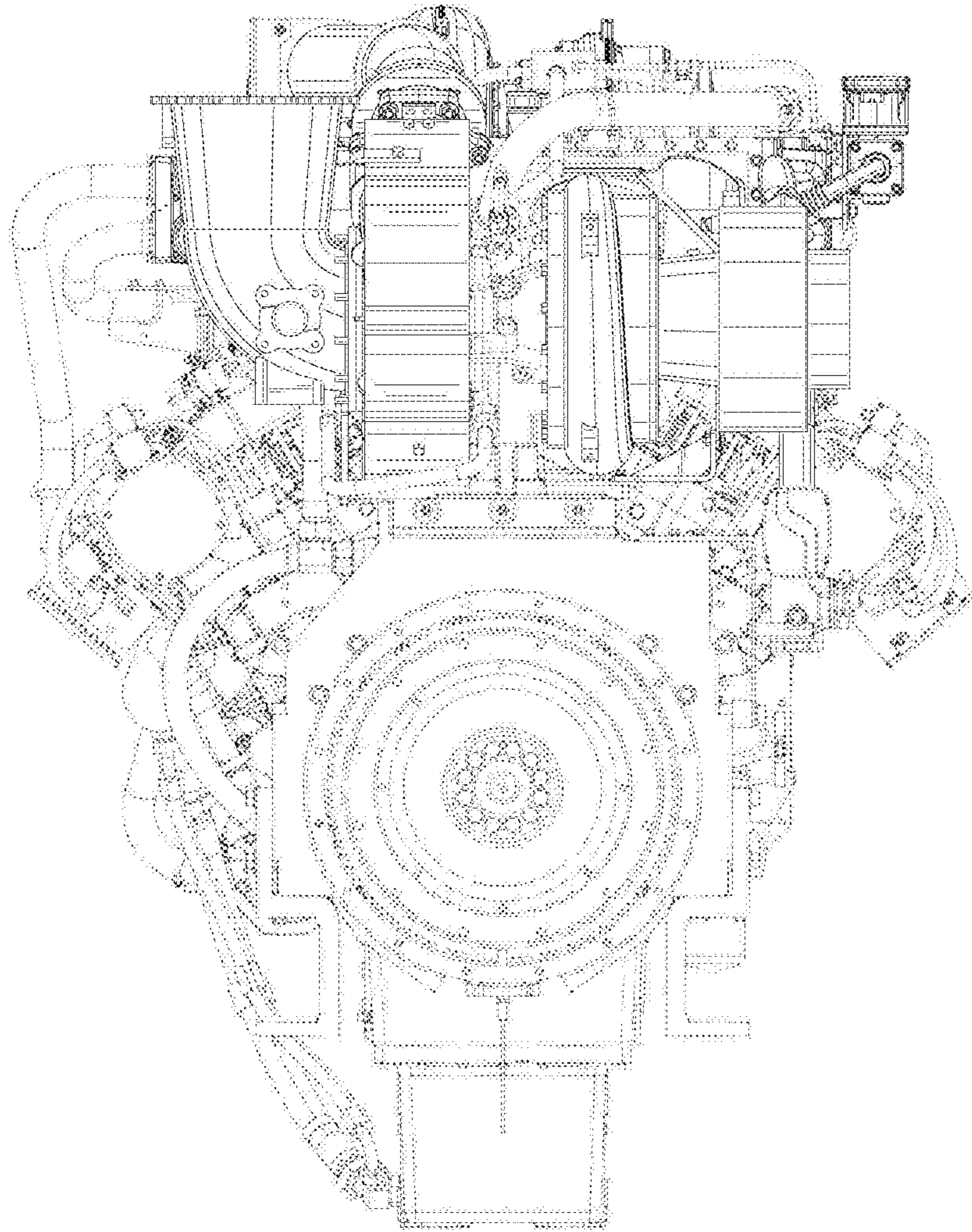


FIG. 3

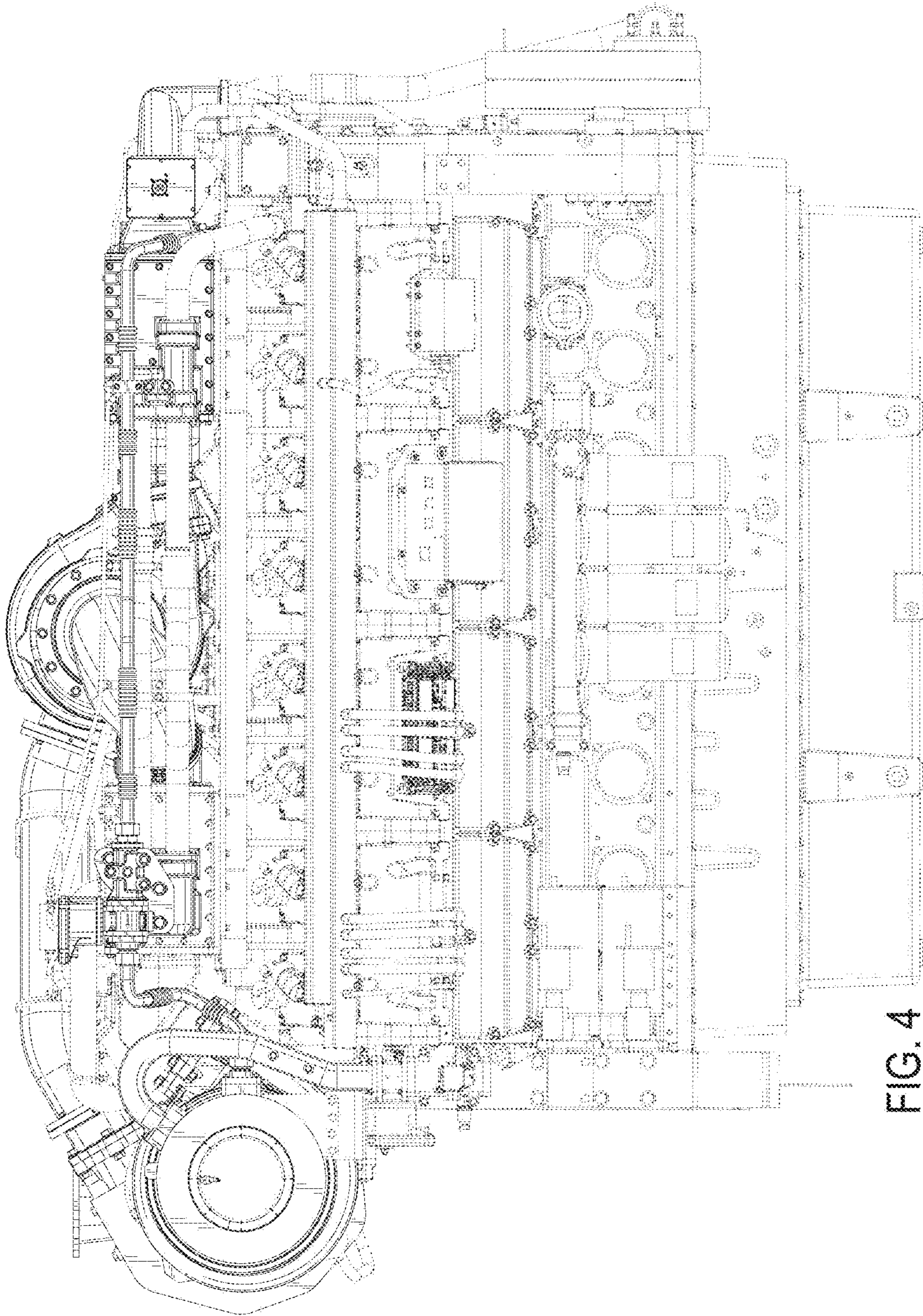


FIG. 4

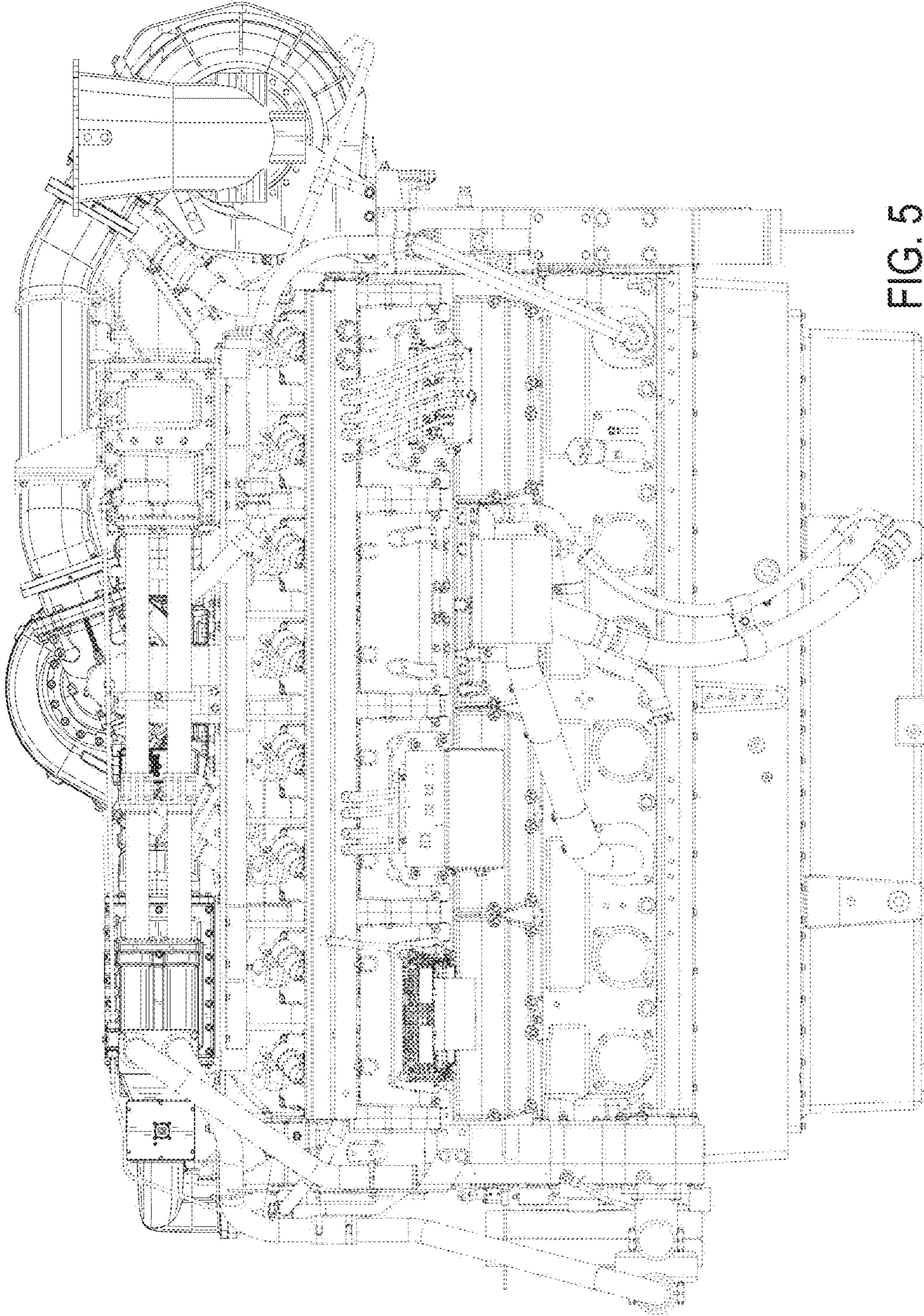
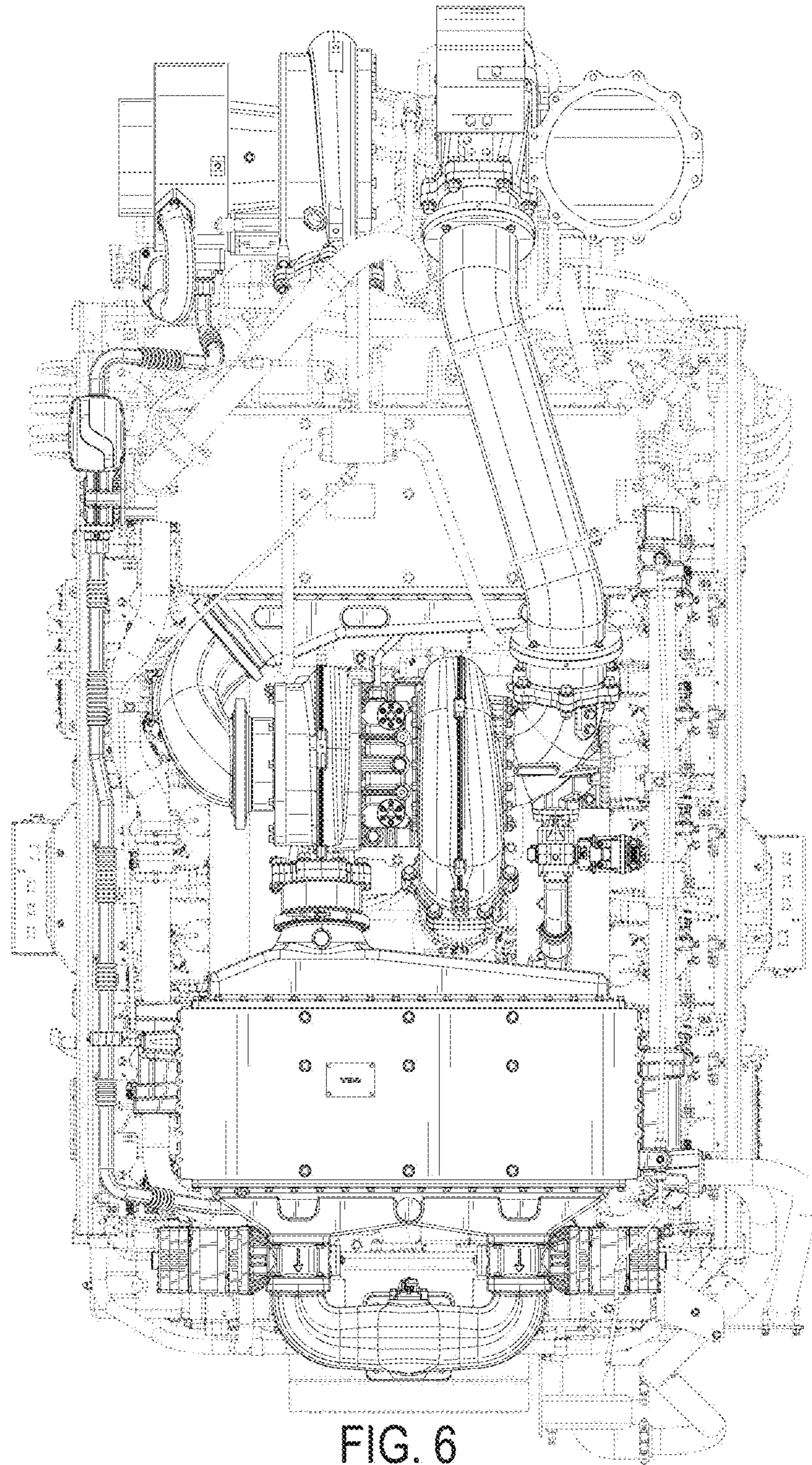


FIG. 5



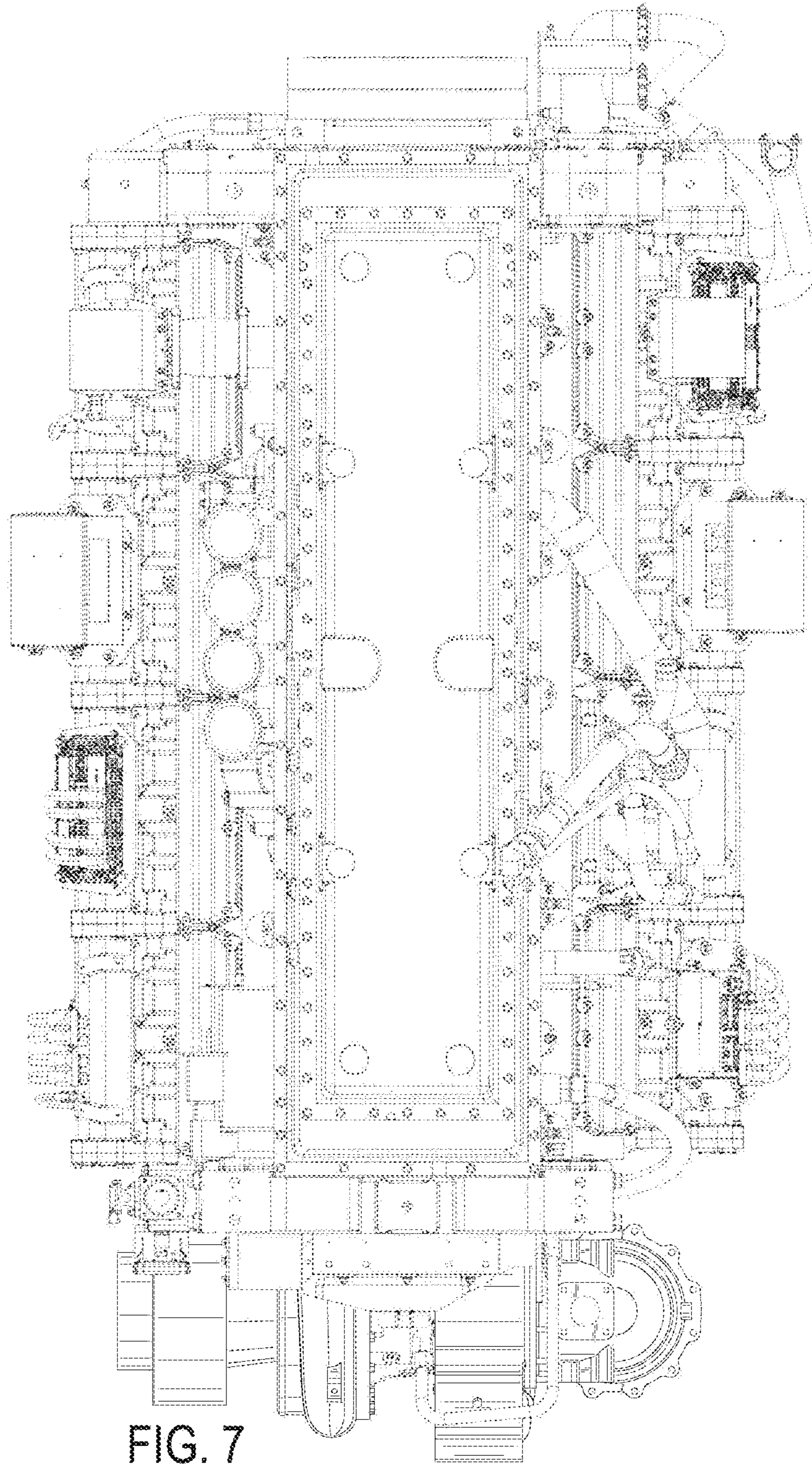


FIG. 7