



US00D962951S

(12) **United States Design Patent**
Chen

(10) **Patent No.:** **US D962,951 S**

(45) **Date of Patent:** **** Sep. 6, 2022**

(54) **COMPUTER STAND**

D918,925 S * 5/2021 Fine D14/447
D926,774 S * 8/2021 Kanter D14/447
D935,470 S * 11/2021 Wengreen D14/447

(71) Applicant: **Shenzhen Yaodoudou Technology Co., Ltd.**, Shenzhen (CN)

(72) Inventor: **Ting Chen**, Jiangmen (CN)

(**) Term: **15 Years**

(21) Appl. No.: **29/783,015**

(22) Filed: **May 11, 2021**

(51) **LOC (13) Cl.** **14-02**

(52) **U.S. Cl.**
USPC **D14/447**

(58) **Field of Classification Search**

USPC D14/447, 432, 434, 439, 440, 451, 452,
D14/457, 239, 253, 250; D8/363, 373,
D8/380; D6/406.3, 406.4, 406.5, 406.6;
D12/415; D21/333, 332
CPC A47B 21/04; A47B 2097/006; A47B
2097/005; A47B 2023/049; A45C
2011/002; A45C 2011/003; F16M
2200/00; F16M 13/00

See application file for complete search history.

(56) **References Cited**

U.S. PATENT DOCUMENTS

D473,072 S * 4/2003 Seeley D6/675
D576,428 S 9/2008 Swanson
D590,404 S * 4/2009 Kim D14/447
D676,055 S 2/2013 Izen et al.
D697,920 S * 1/2014 Fujioka D14/447
D721,712 S * 1/2015 Byrne D14/447
D722,064 S * 2/2015 Zwerner D14/447
D754,135 S * 4/2016 Cromack D14/447
D847,142 S * 4/2019 Furshman D14/447
D895,631 S 9/2020 Kanter
D908,709 S * 1/2021 Fine D14/447
D909,393 S * 2/2021 Benett D14/447

OTHER PUBLICATIONS

Lamicall Vertical Laptop Stand, Dec. 2, 2021 https://www.amazon.com/dp/B09GB82DRN7pd_rd_i=B09GB82DRN&pd_rd_w=OhT4R&pf_rd_p=cc7afcc5-25bd-41a6-9934-4067a293ee62&pd_rd_wg=fSHjn&pf_rd_r=W0CTW9RSES87ZAJRA1C&pd_rd_r=3b8f2288-6bf7-4ed9-bcd2-5d3535b0df58 (Year: 2021).
Vilingwin, Jul. 14, 2021 https://www.amazon.com/Vertical-Vilingwin-Adjustment-Free-Storage-Organization/dp/B098P7XCDD/ref=sr_1_72?crid=1GHIOV1NYB5JZ&keywords=vertical%2Bnotebook%2Bstand&qid=1647283343&sprefix=vertical%2Bnotebook%2Bstand%2Caps%2C61&sr=8-72&th=1 (Year: 2021).*

* cited by examiner

Primary Examiner — Angela J Lee

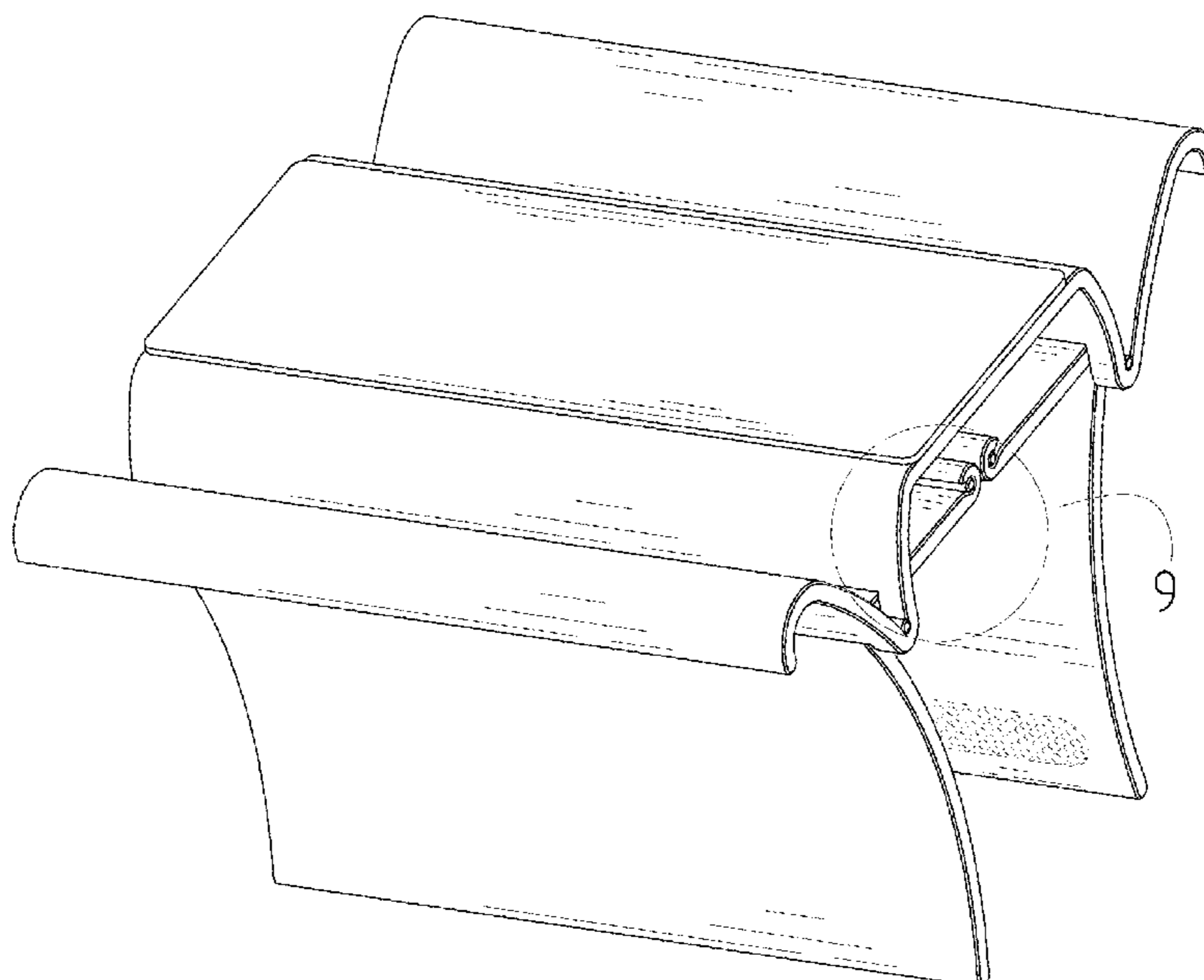
(57) **CLAIM**

The ornamental design for a computer stand, as shown and described.

DESCRIPTION

FIG. 1 is a first perspective view of a computer stand showing my new design;
FIG. 2 is a second perspective view thereof;
FIG. 3 is a front view thereof;
FIG. 4 is a back view thereof;
FIG. 5 is a left side view thereof;
FIG. 6 is a right side view thereof;
FIG. 7 is a top view thereof;
FIG. 8 is a bottom view thereof; and,
FIG. 9 is an enlarged view of the selected portion in FIG. 1. The broken lines shown in the drawings depict portions of the computer stand in which the design is embodied that form no part of the claimed design.

1 Claim, 9 Drawing Sheets



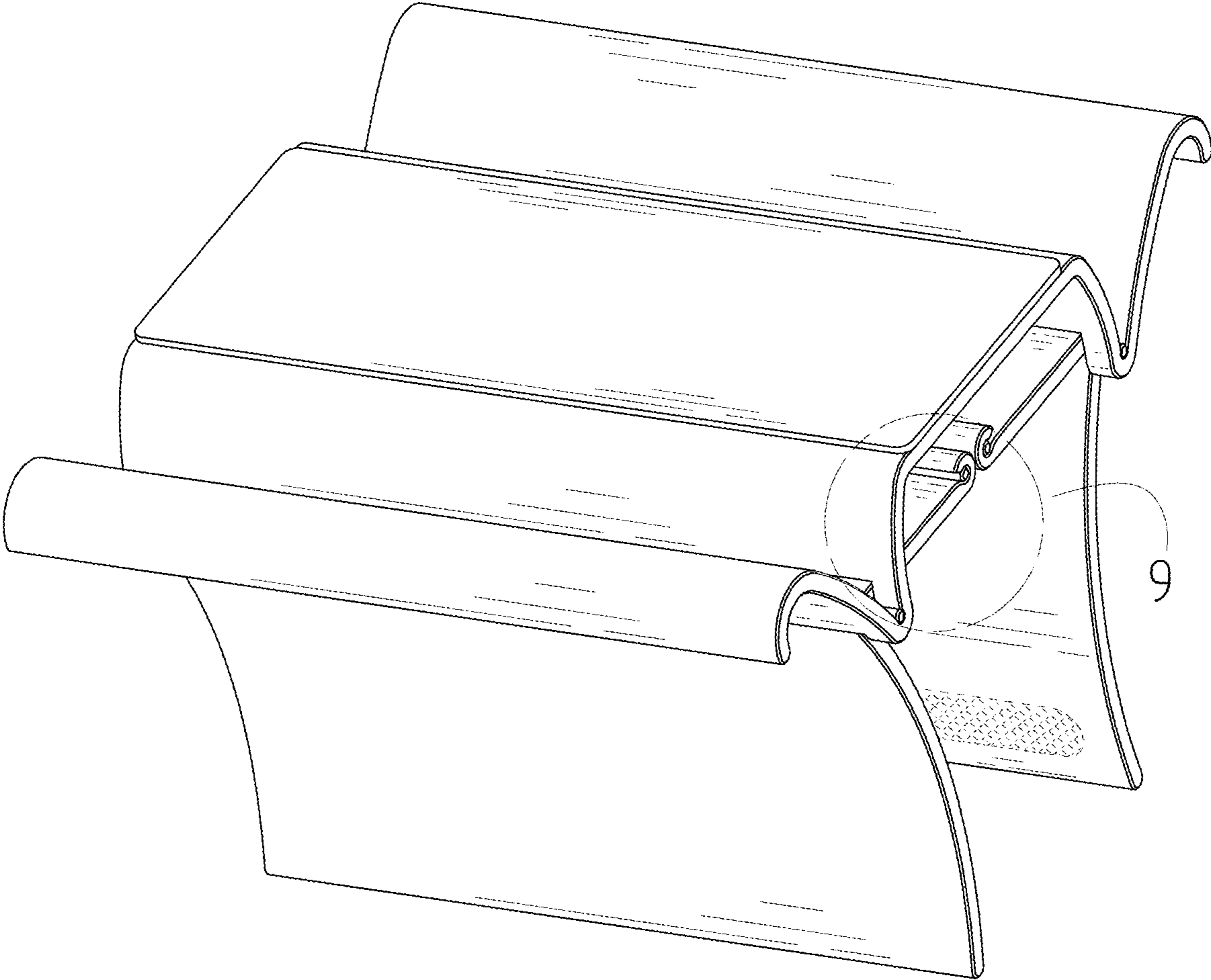


FIG. 1

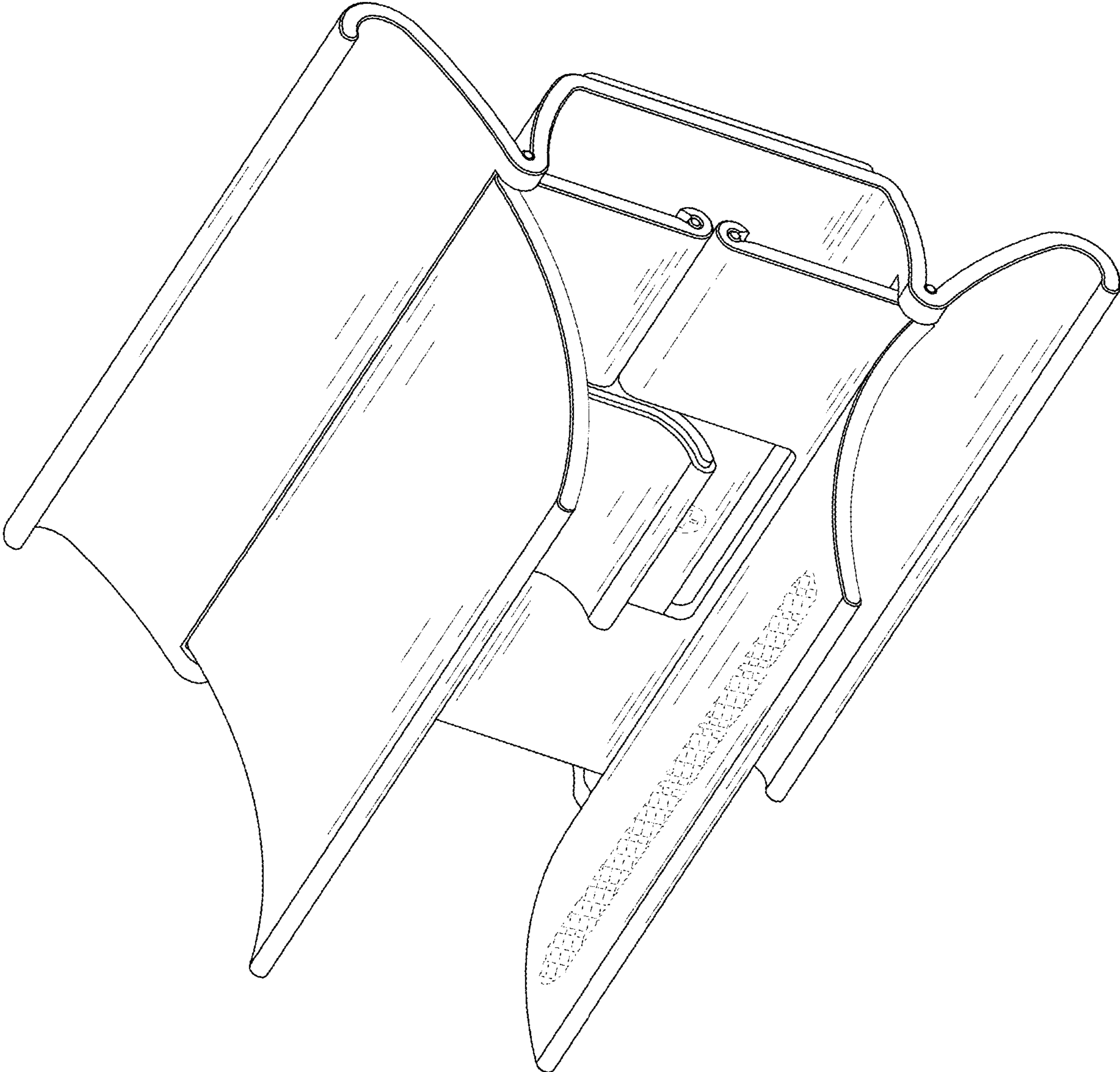


FIG. 2



FIG. 3

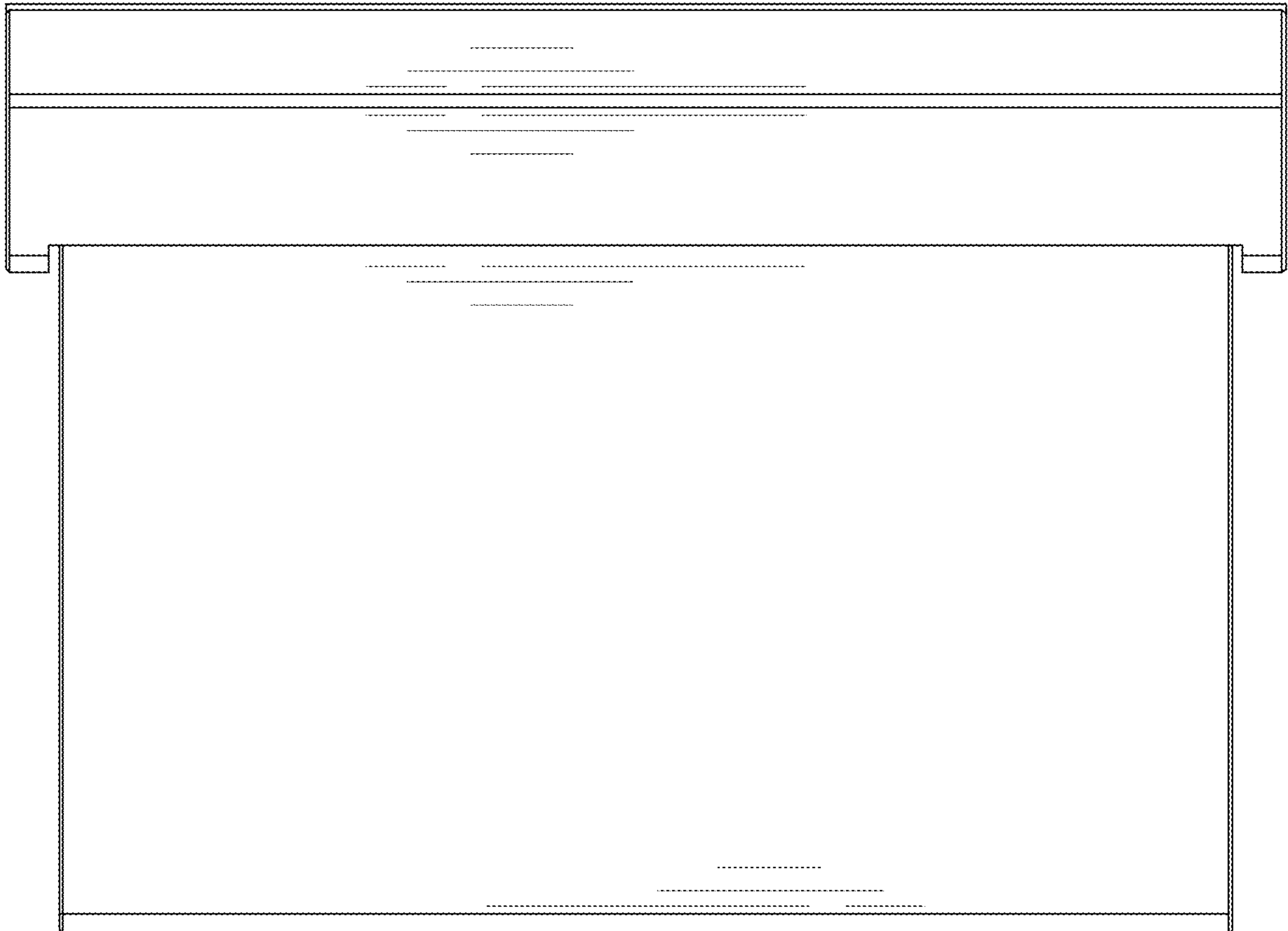


FIG. 4

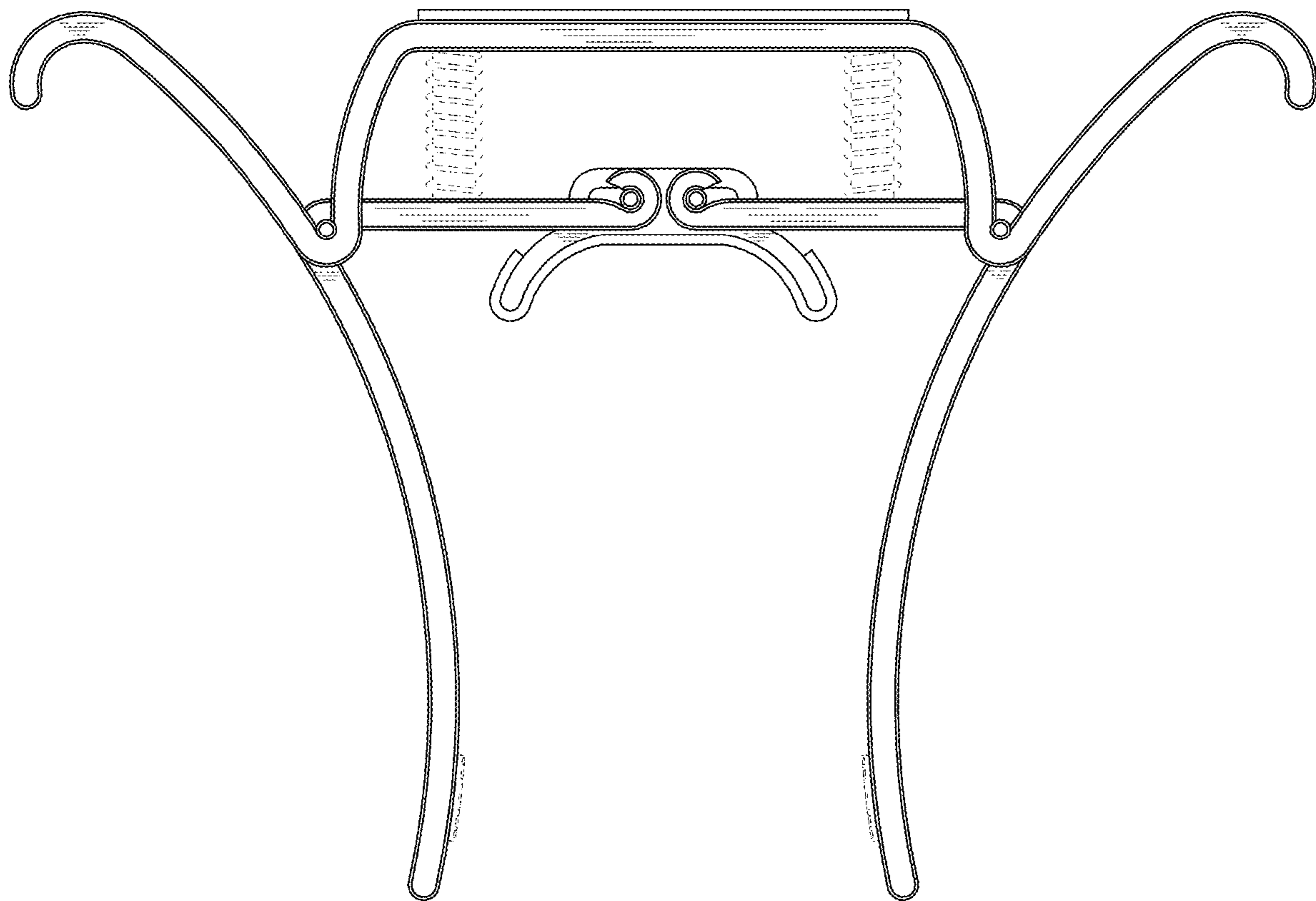


FIG. 5

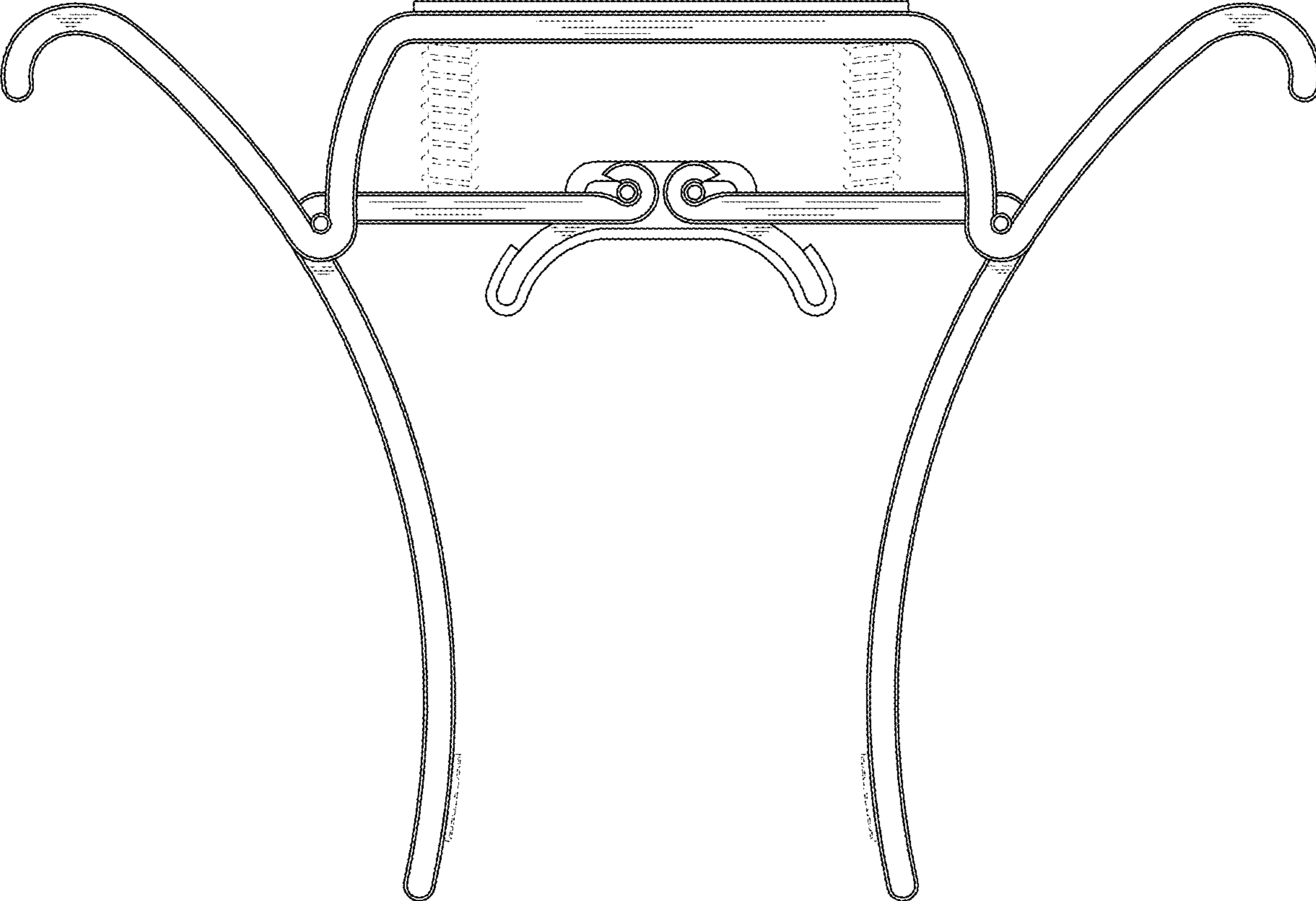


FIG. 6

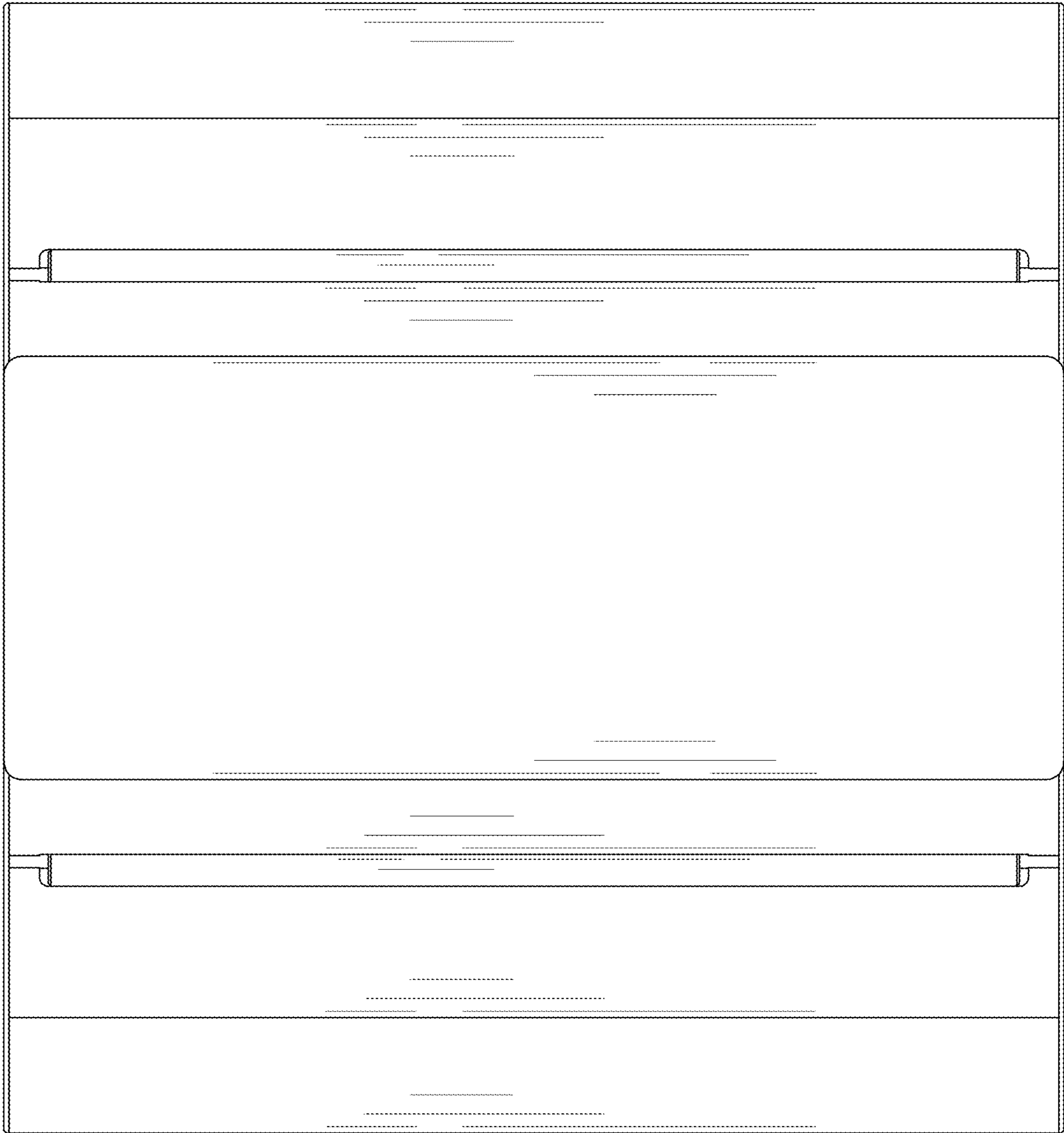


FIG. 7

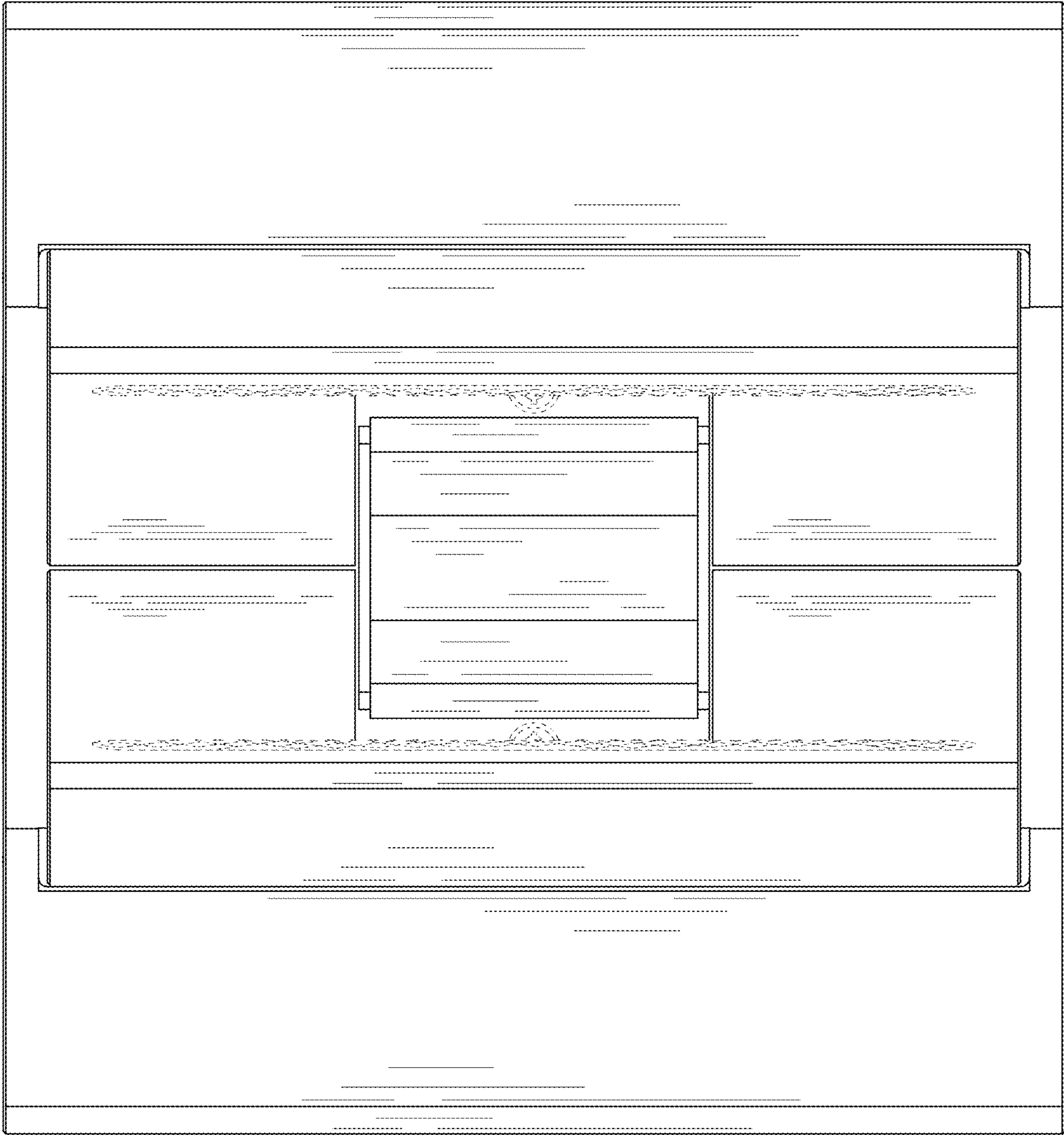


FIG. 8

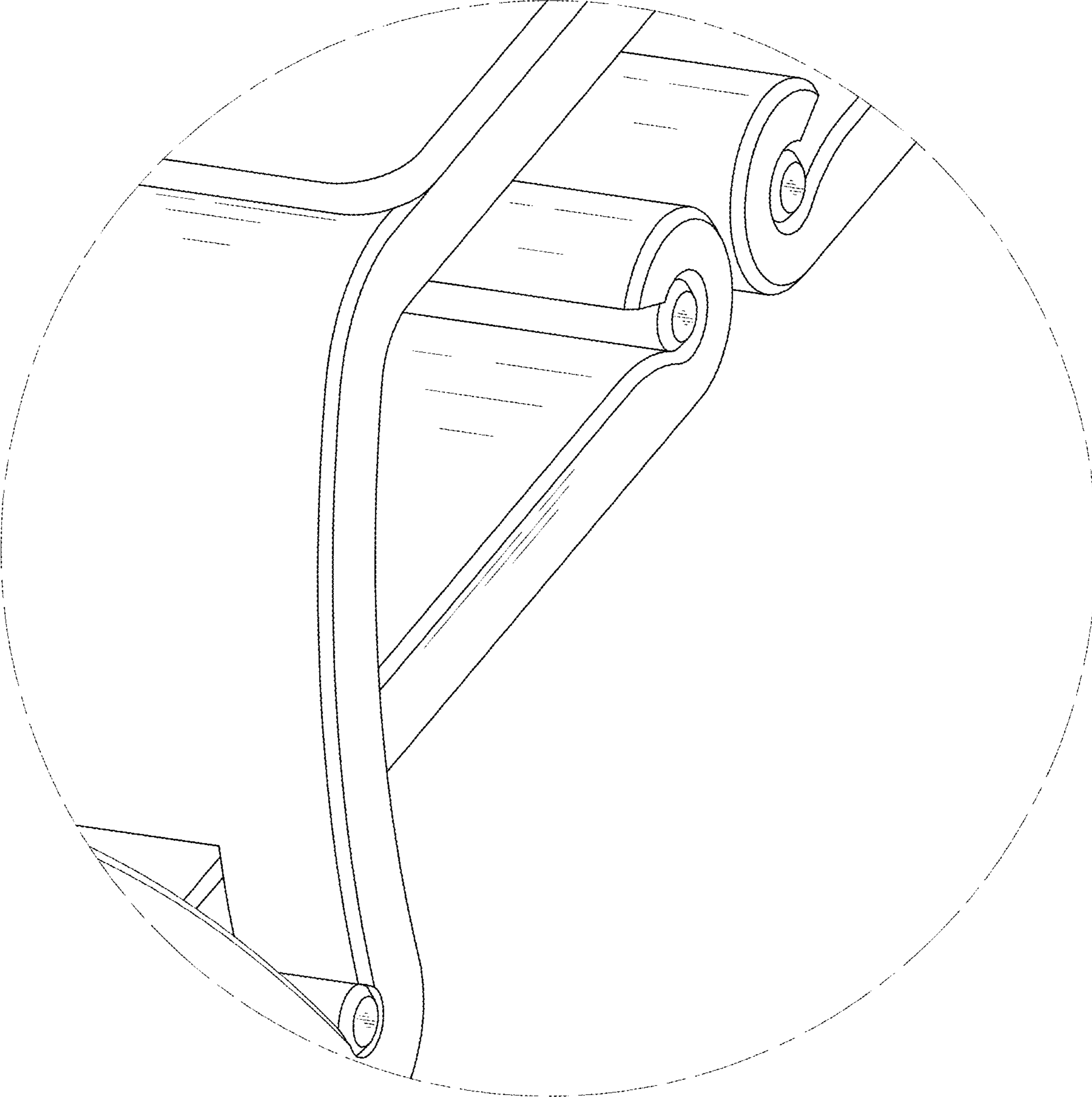


FIG. 9