



US00D962949S

(12) **United States Design Patent**
Xu

(10) **Patent No.:** **US D962,949 S**

(45) **Date of Patent:** **** Sep. 6, 2022**

(54) **PORTABLE ELECTRONIC DEVICE CASE**

(71) Applicant: **Zhaohong Xu**, Shenzhen (CN)

(72) Inventor: **Zhaohong Xu**, Shenzhen (CN)

(**) Term: **15 Years**

(21) Appl. No.: **29/810,961**

(22) Filed: **Oct. 11, 2021**

(30) **Foreign Application Priority Data**

Jul. 30, 2021 (CN) 202130489490.7

(51) **LOC (13) Cl.** **14-02**

(52) **U.S. Cl.**
USPC **D14/440**

(58) **Field of Classification Search**
USPC D14/440, 447, 250; 206/45.23, 320,
206/45.2; 361/679.55; 294/25; 224/218;
455/575.8

CPC ... G06F 1/1628; G06F 1/1626; A47B 23/044;
H04B 1/3888; A45C 11/00

See application file for complete search history.

(56) **References Cited**

U.S. PATENT DOCUMENTS

D689,056 S *	9/2013	Li	D14/440
D690,704 S *	10/2013	Padilla	D14/440
D727,917 S *	4/2015	Yeo	D14/440
D733,154 S *	6/2015	Armstrong	D14/440
D752,052 S *	3/2016	Park	D14/440
D763,853 S *	8/2016	Pearce	D14/440
D784,350 S *	4/2017	Li	D14/440
D790,550 S *	6/2017	Chen	D14/440
D803,221 S *	11/2017	Guo	D14/440
D806,080 S *	12/2017	Chen	D14/440
D807,366 S *	1/2018	Chen	D14/440
D807,369 S *	1/2018	Chen	D14/440
D821,405 S *	6/2018	Chen	D14/440
D854,022 S *	7/2019	Chen	D14/440

D860,212 S *	9/2019	Ahn	D14/440
D862,478 S *	10/2019	Ahn	D14/440
D862,479 S *	10/2019	Ahn	D14/440
D862,480 S *	10/2019	Chan	D14/440
D863,313 S *	10/2019	Li	D14/440
D879,104 S *	3/2020	Li	D14/440
D879,105 S *	3/2020	Li	D14/440
D881,196 S *	4/2020	Zanxiang	D14/440
D884,709 S *	5/2020	Cheng	D14/440
D886,109 S *	6/2020	Li	D14/440
D906,337 S *	12/2020	Cheng	D14/440
D911,350 S *	2/2021	Li	D14/440
D916,708 S *	4/2021	Ke	D14/440

(Continued)

Primary Examiner — Cynthia R Underwood

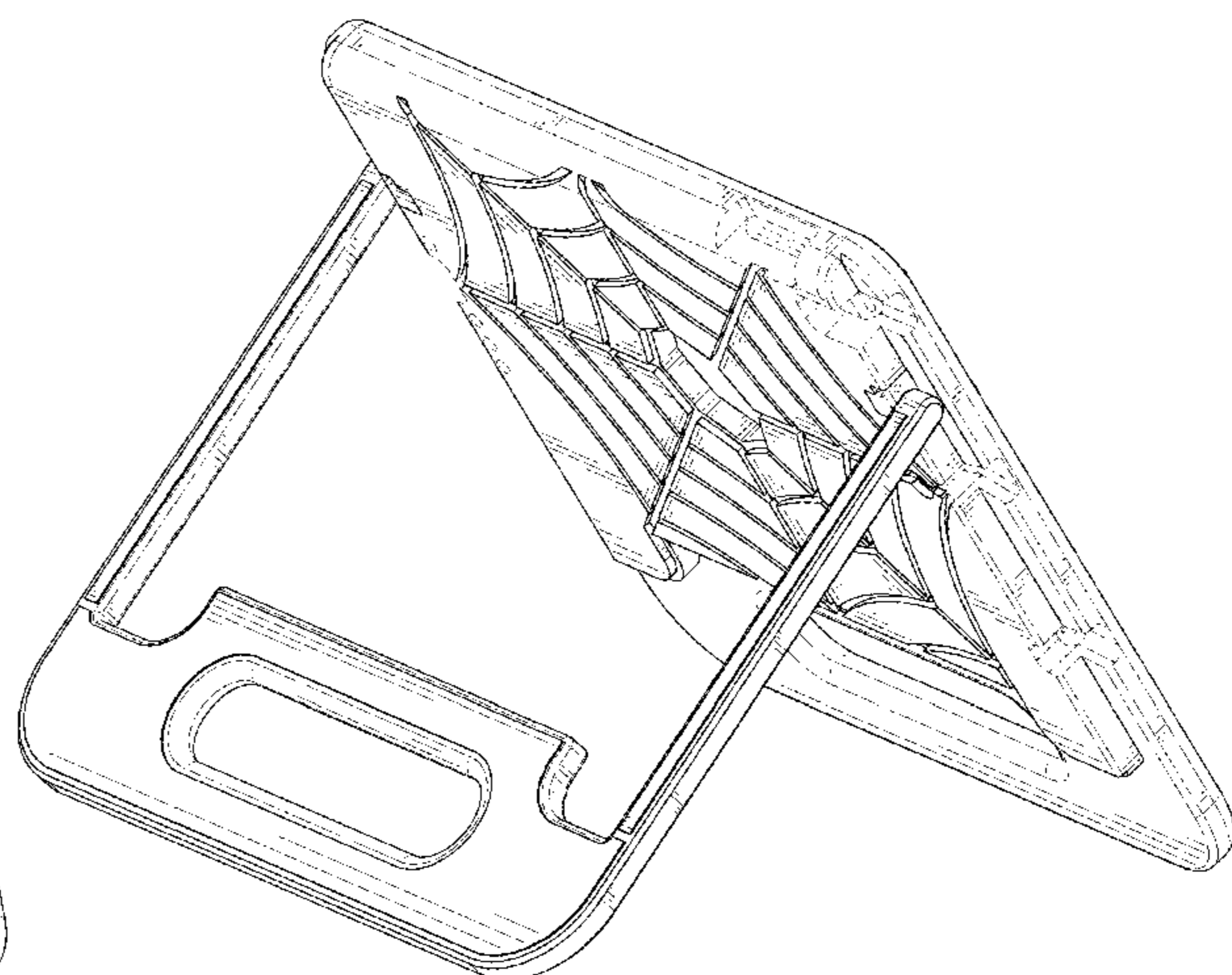
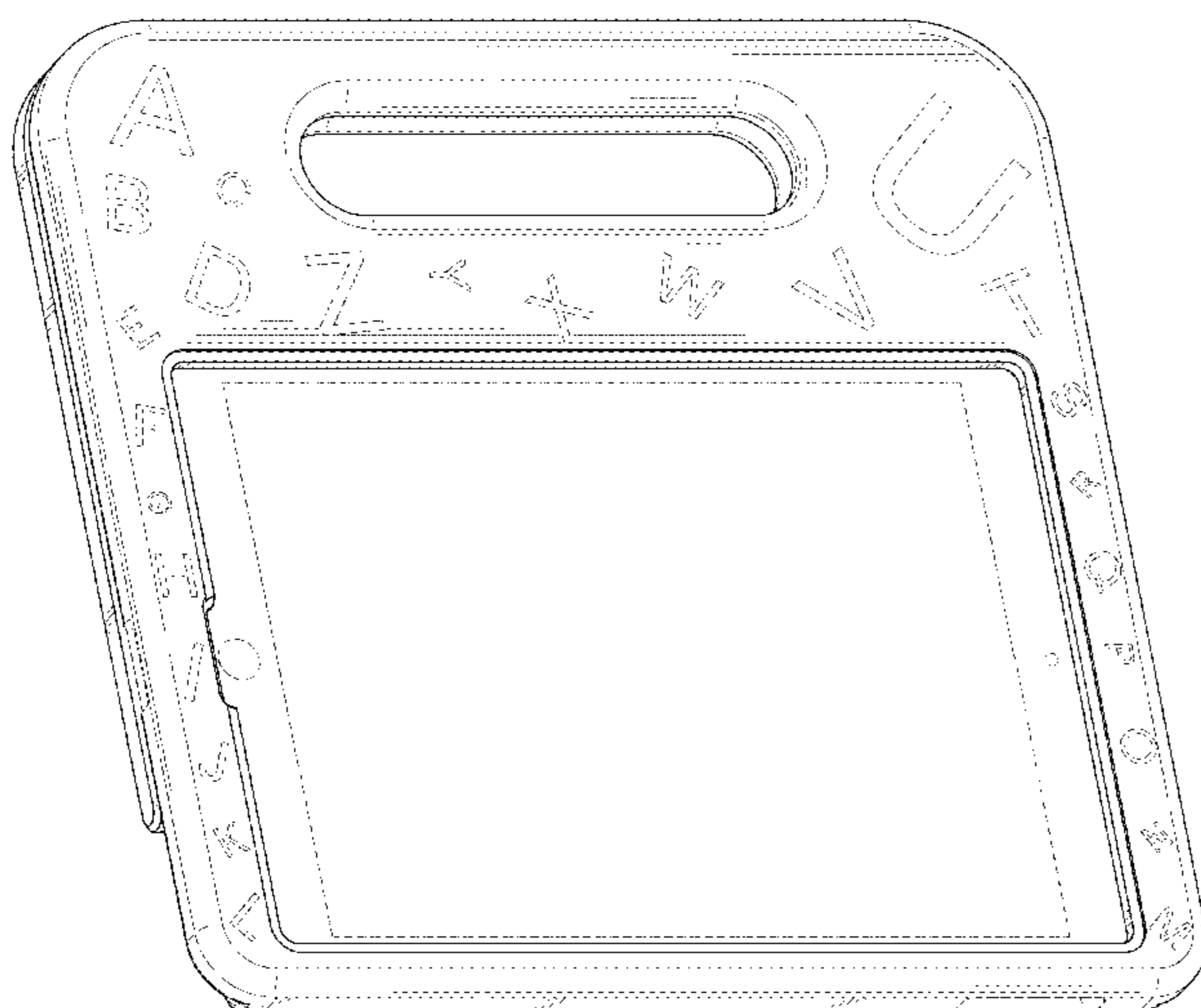
(57) **CLAIM**

The ornamental design for a portable electronic device case, as shown and described.

DESCRIPTION

FIG. 1 is a front and top perspective view of a portable electronic device case, showing my new design;
 FIG. 2 is a rear and top perspective view thereof;
 FIG. 3 is a front elevation view thereof;
 FIG. 4 is a rear elevation view thereof;
 FIG. 5 is a left side elevation view thereof;
 FIG. 6 is a right side elevation view thereof;
 FIG. 7 is a top plan view thereof;
 FIG. 8 is a bottom plan view thereof;
 FIG. 9 is another perspective view thereof, shown in an alternative position;
 FIG. 10 is another perspective view thereof, shown in an alternative position; and,
 FIG. 11 is another perspective view thereof, shown in an alternative position.
 The broken lines in the figures illustrate portions of the portable electronic device case that form no part of the claimed design.

1 Claim, 11 Drawing Sheets



(56)

References Cited

U.S. PATENT DOCUMENTS

D920,982 S	6/2021	Xu	
D928,164 S *	8/2021	Li	D14/440
11,079,795 B2 *	8/2021	Chen	G06F 1/1632
D942,980 S *	2/2022	Wright	D14/440
D943,590 S *	2/2022	Price	D14/440
2012/0075799 A1 *	3/2012	Pollex	G06F 1/1626
			361/679.56
2017/0097698 A1 *	4/2017	Maeshima	G06F 3/03545

* cited by examiner

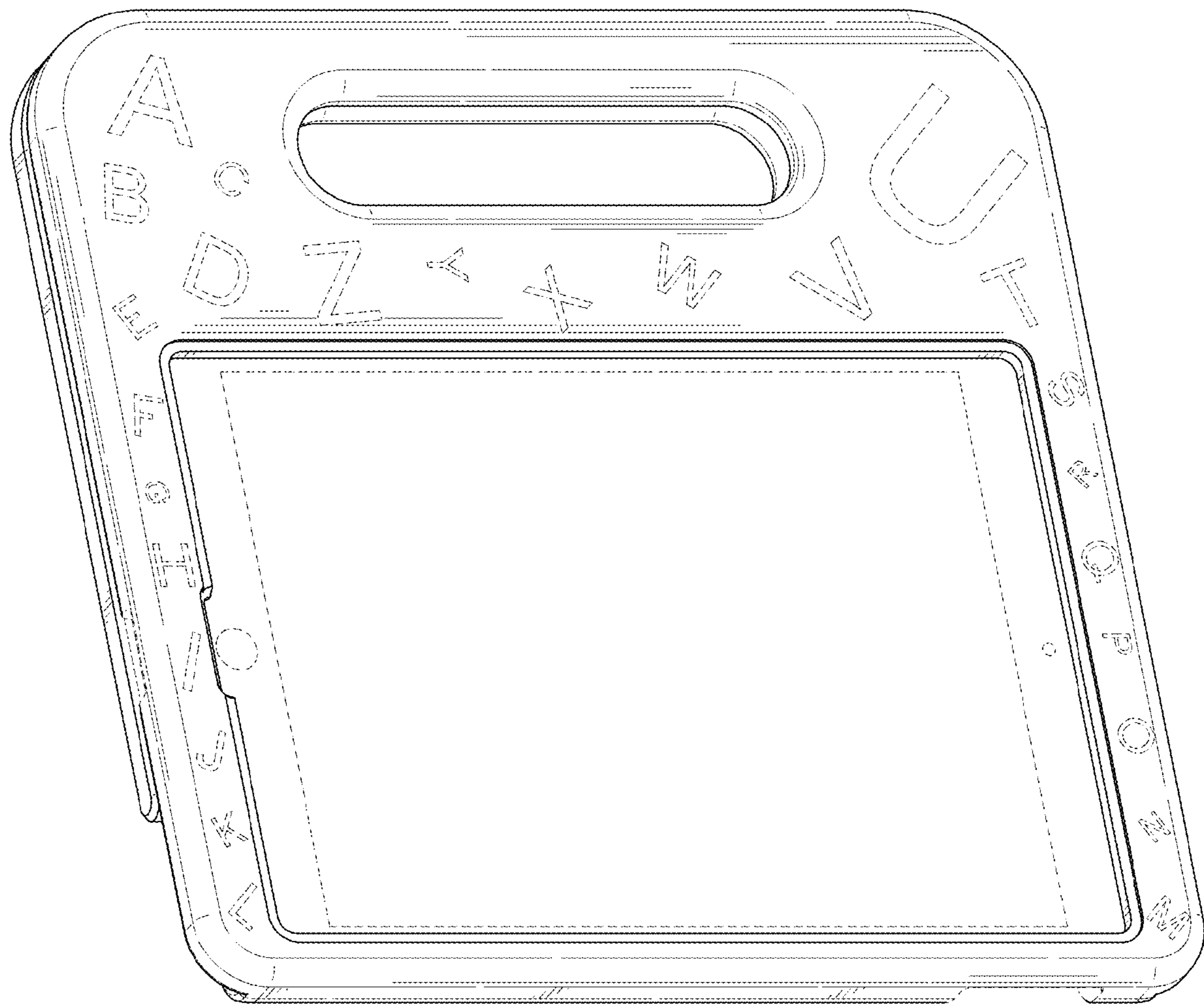


FIG. 1

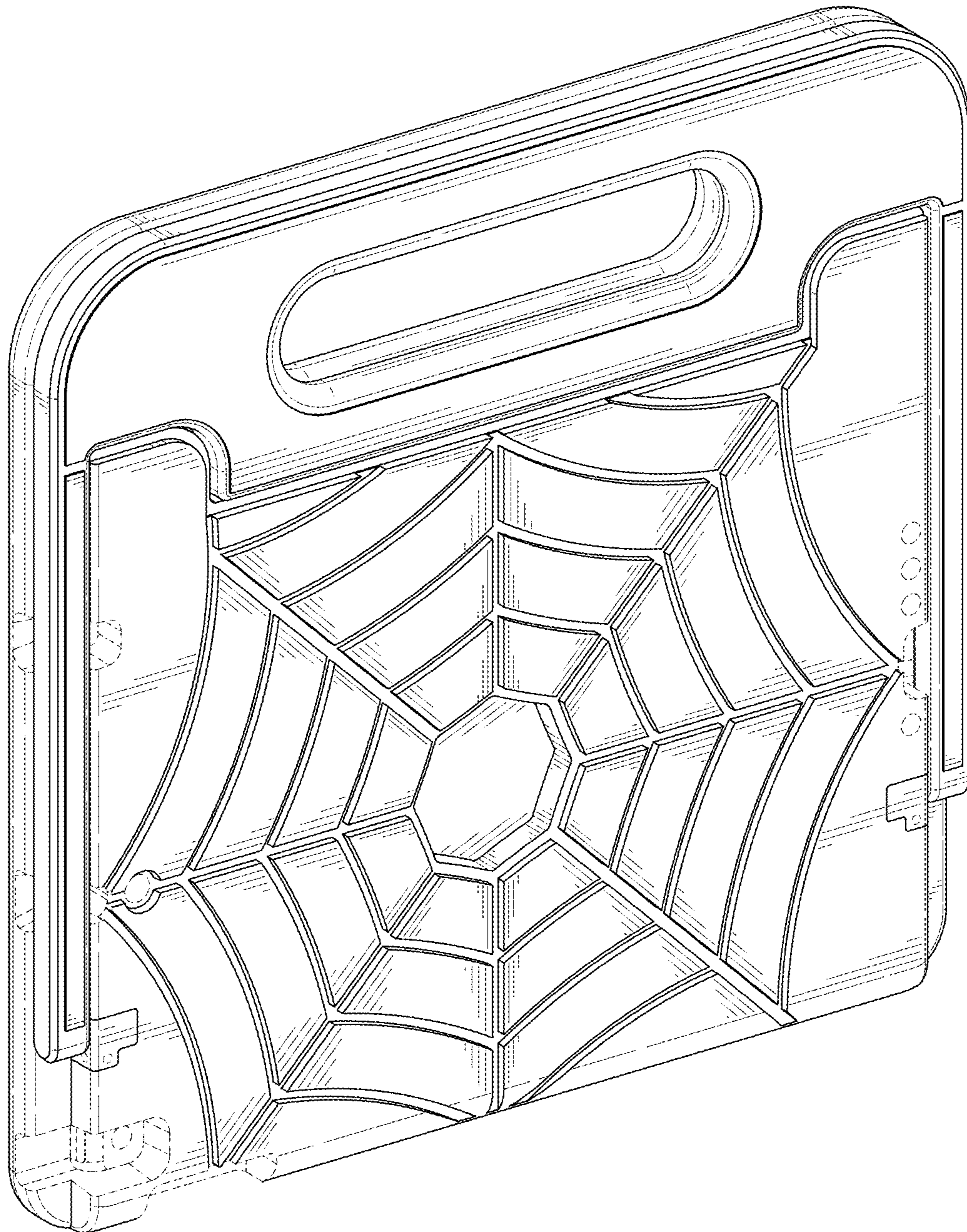


FIG. 2

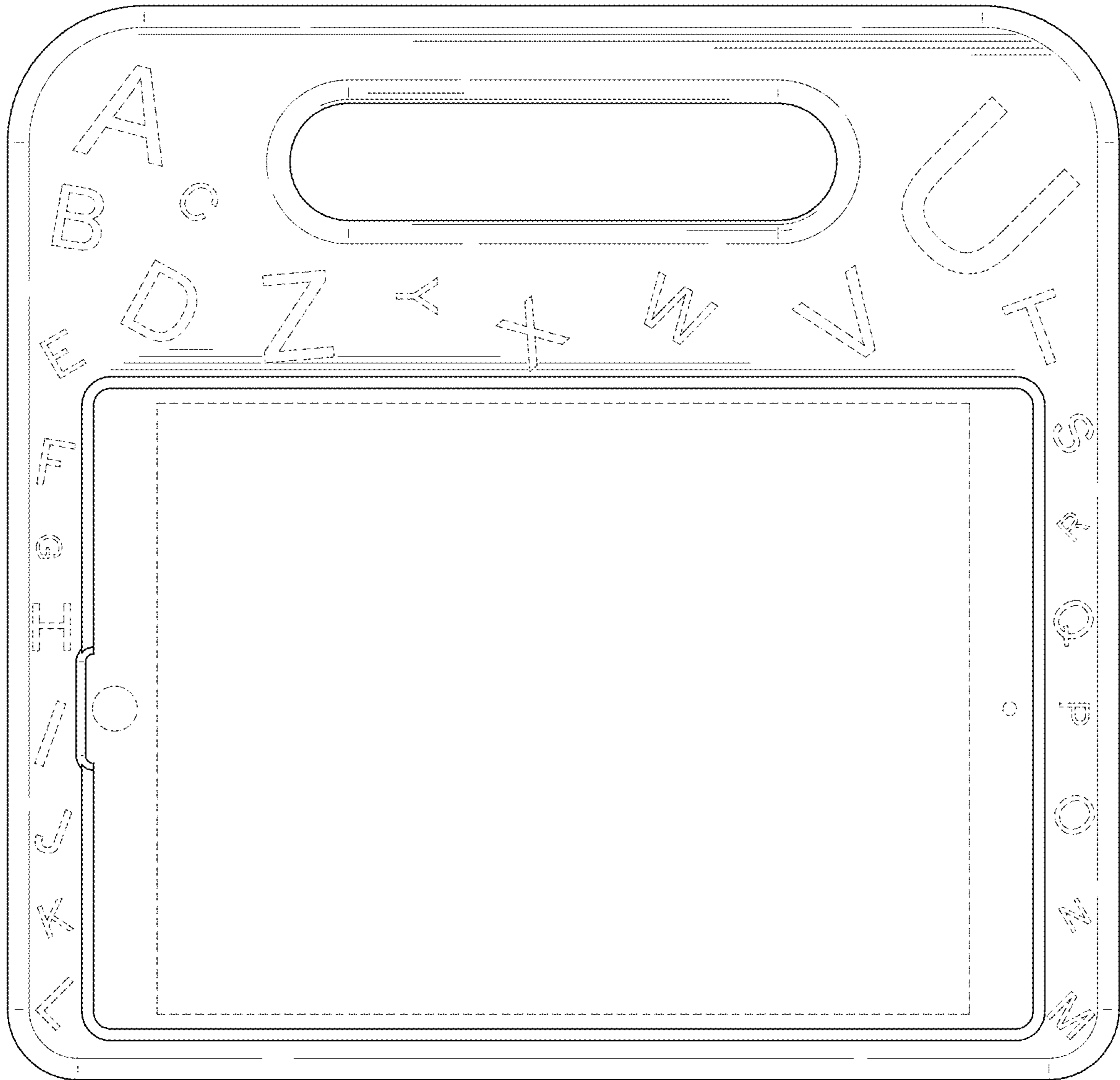


FIG. 3

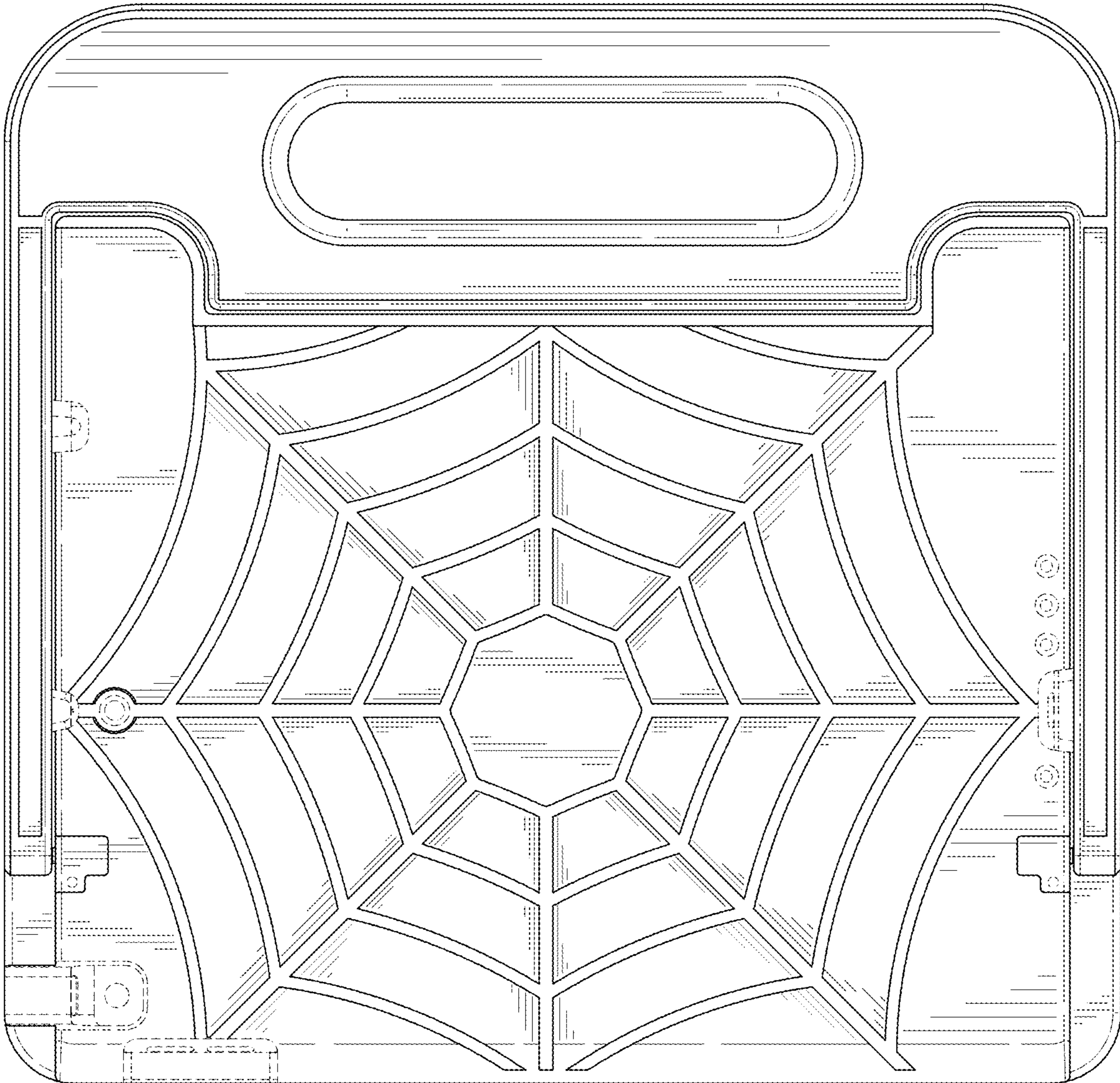


FIG. 4

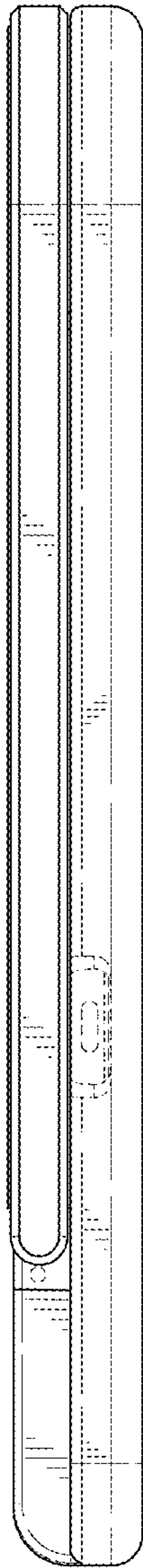


FIG. 5

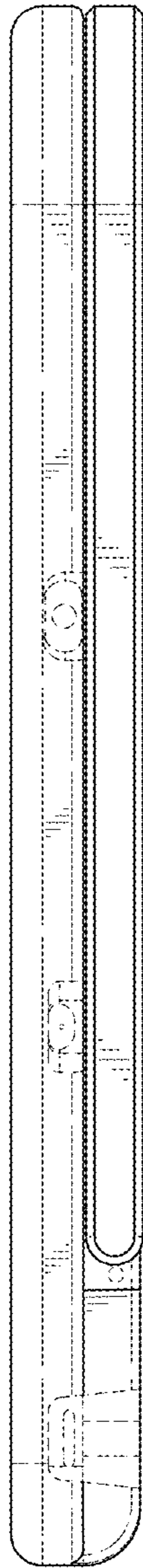


FIG. 6

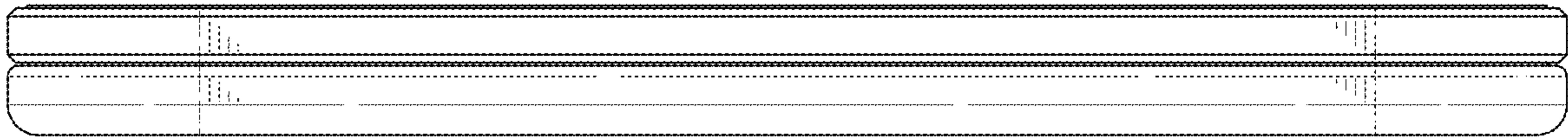


FIG. 7

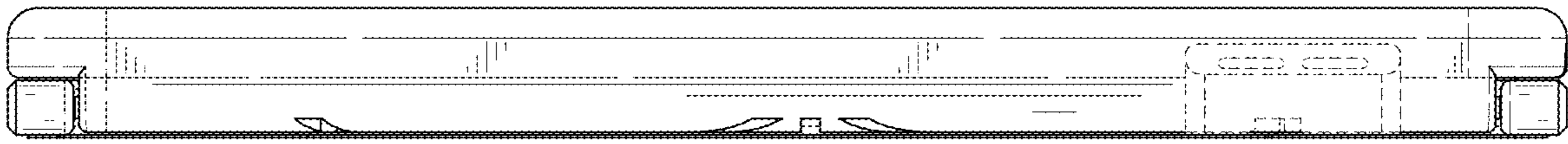


FIG. 8

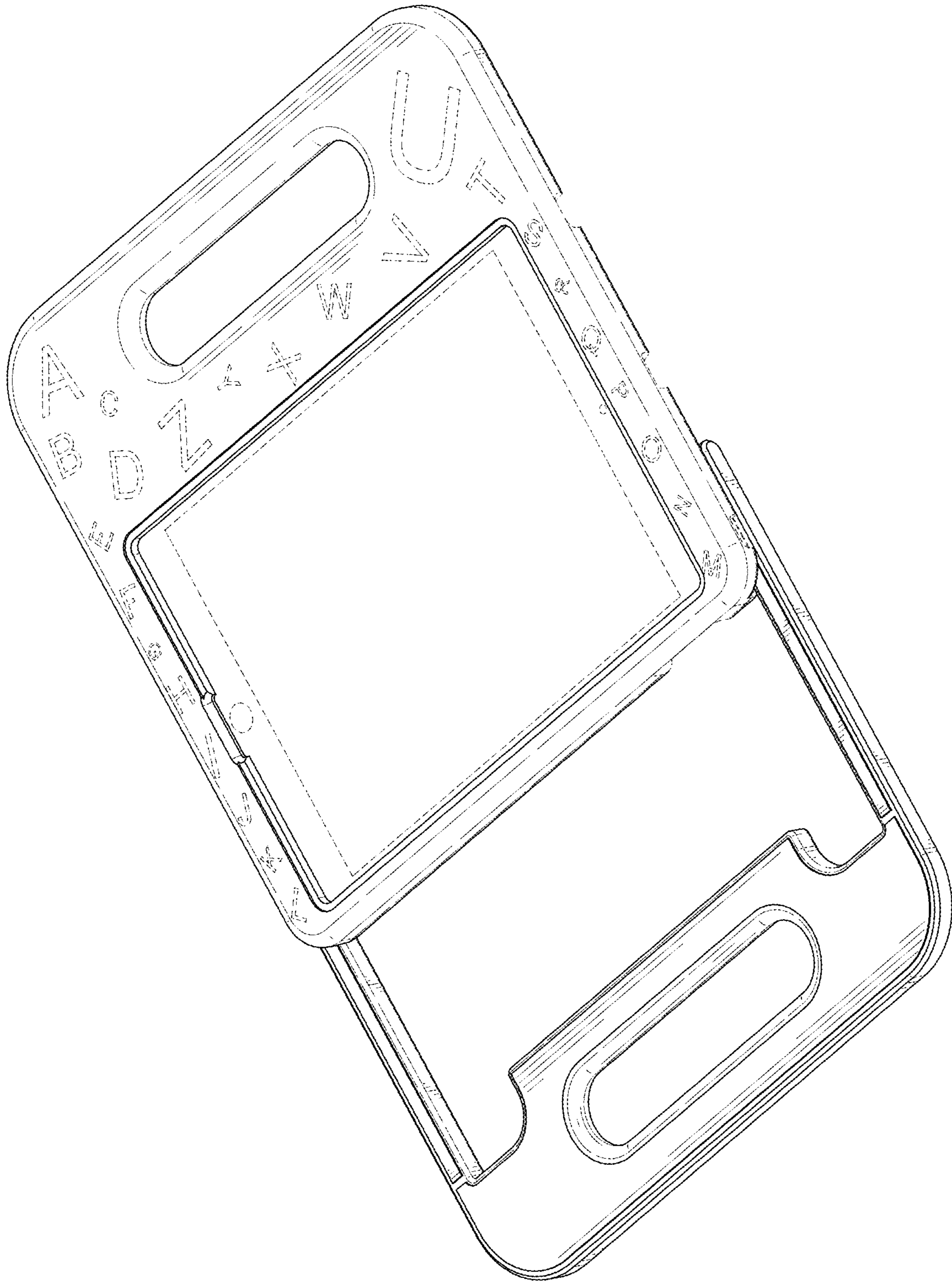


FIG. 9



FIG. 10

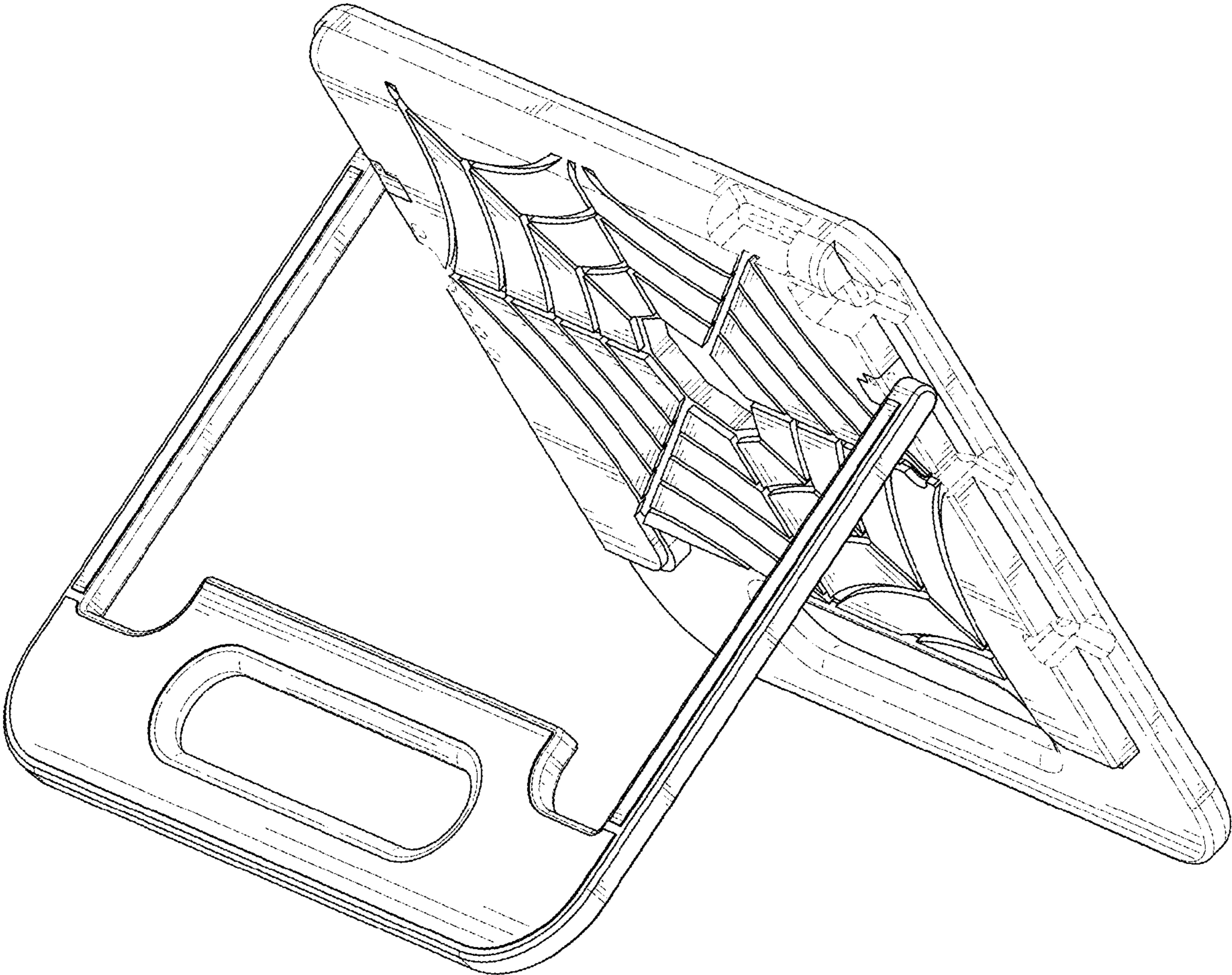


FIG. 11