



US00D962947S

(12) **United States Design Patent**
Lee et al.

(10) **Patent No.:** **US D962,947 S**
(45) **Date of Patent:** **** Sep. 6, 2022**

- (54) **DISPLAY MODULE**
- (71) Applicant: **LG DISPLAY CO., LTD.**, Seoul (KR)
- (72) Inventors: **Areum Lee**, Paju-si (KR); **Hakjun Kim**, Paju-si (KR); **Hyunsu Kim**, Paju-si (KR); **Jiyeong Yoon**, Paju-si (KR); **Chiyong Lee**, Paju-si (KR)
- (73) Assignee: **LG DISPLAY CO., LTD.**, Seoul (KR)
- (**) Term: **15 Years**

D620,932 S *	8/2010	Andre	D14/374
D637,195 S *	5/2011	Stammers	D14/450
D638,015 S *	5/2011	Chong	D14/383
D647,106 S *	10/2011	Akana	D14/203.3
8,116,073 B2 *	2/2012	Hung	G06F 1/1624 361/679.28
D659,163 S *	5/2012	Akana	D14/203.3
D661,311 S *	6/2012	Akana	D14/448
D661,707 S *	6/2012	Akana	D14/203.3
D662,094 S *	6/2012	Mack	D14/371
D662,922 S *	7/2012	Akana	D14/250
D665,808 S *	8/2012	Wang	D14/248
D670,286 S *	11/2012	Akana	D14/341
D689,475 S *	9/2013	Andre	D14/250

(Continued)

- (21) Appl. No.: **29/722,695**
- (22) Filed: **Jan. 31, 2020**
- (30) **Foreign Application Priority Data**
Aug. 1, 2019 (KR) 30-2019-0036883
- (51) **LOC (13) Cl.** **14-02**
- (52) **U.S. Cl.**
USPC **D14/439**
- (58) **Field of Classification Search**
USPC D14/126, 129, 130, 132, 133, 159, 239,
D14/307, 336, 371, 372, 374, 375, 376,
D14/383, 448, 451, 496, 432, 450, 248,
D14/439; D20/10, 18, 19, 21, 39
CPC G06F 1/1601; G06F 1/1642; G06F 1/1643;
G06F 1/182; G06F 1/20; G02F 1/133;
G02F 1/133308; G02F 1/133311; G02F
1/133314; G02F 1/13332; G02F 1/133331
See application file for complete search history.

- (56) **References Cited**
U.S. PATENT DOCUMENTS
D358,587 S * 5/1995 Solero D14/450
D360,199 S * 7/1995 Shu-Ying D14/450
D364,153 S * 11/1995 Umaba D14/374
D364,395 S * 11/1995 Uratani D14/374
D489,071 S * 4/2004 Nishioka D26/1
D489,073 S * 4/2004 Nishioka D26/1

OTHER PUBLICATIONS

Rumor—LG and Samsung to supply iPad 3 displays as Sharp fails to meet Apples approval process, (online) 6 pgs. Posted Jan. 11, 2012. [Retrieved Feb. 9, 2022] <https://9to5mac.com/2012/01/11/rumor-lg-and-samsung-confirmed-as-ipad-3-display-suppliers-as-sharp-fails-to-meet-apples-approval-process/>.*

Primary Examiner — Marie D. Fast Horse
(74) *Attorney, Agent, or Firm* — Birch, Stewart, Kolasch & Birch, LLP

(57) **CLAIM**
The ornamental design for a display module, as shown and described.

DESCRIPTION

FIG. 1 is a front, right perspective view of the display module showing our new design;
FIG. 2 is a front view thereof;
FIG. 3 is a rear view thereof;
FIG. 4 is a left side view thereof;
FIG. 5 is a right side view thereof;
FIG. 6 is a top plan view thereof;
FIG. 7 is a bottom view thereof; and,
FIG. 8 is a rear, left perspective view thereof.

1 Claim, 8 Drawing Sheets

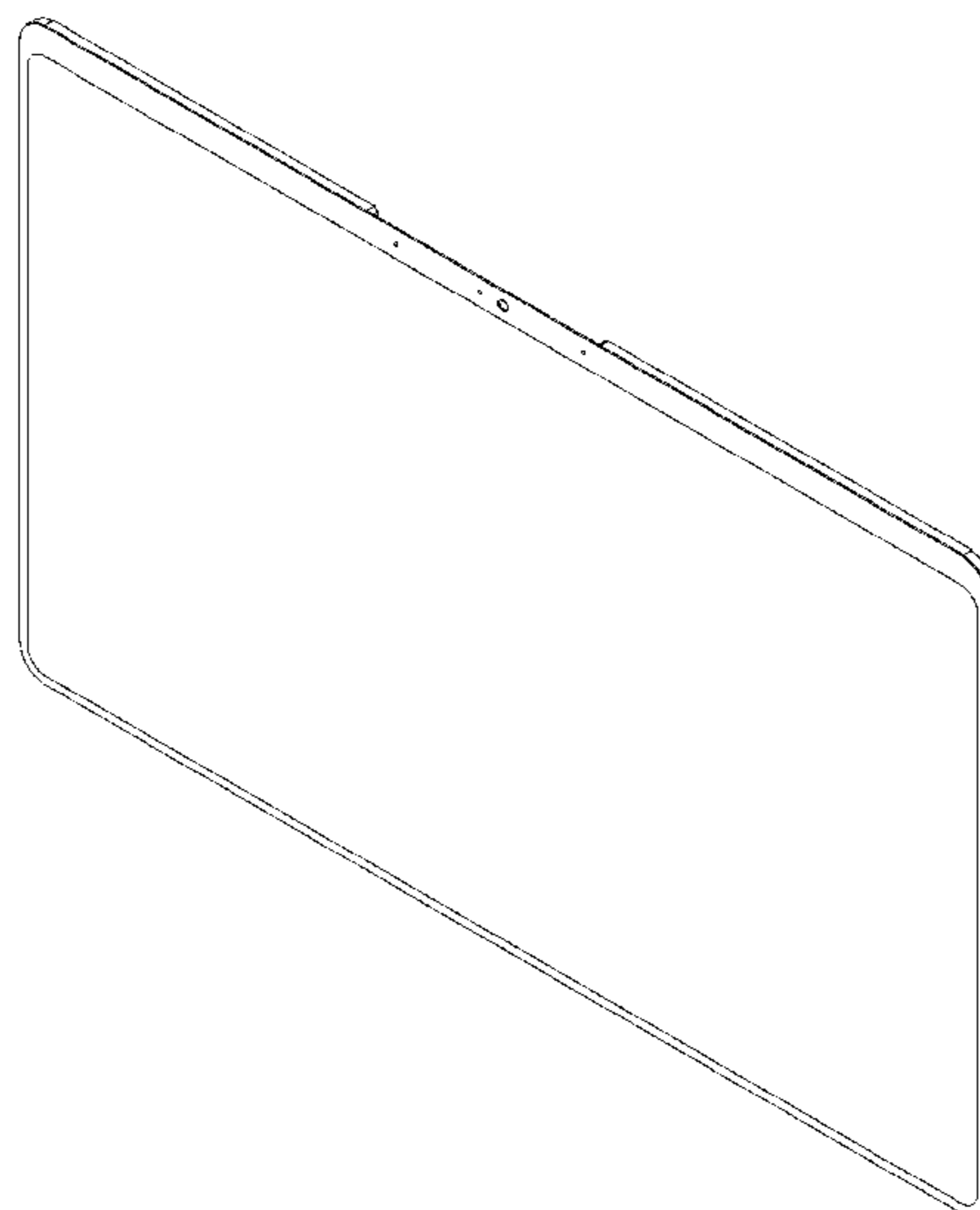


FIG. 1

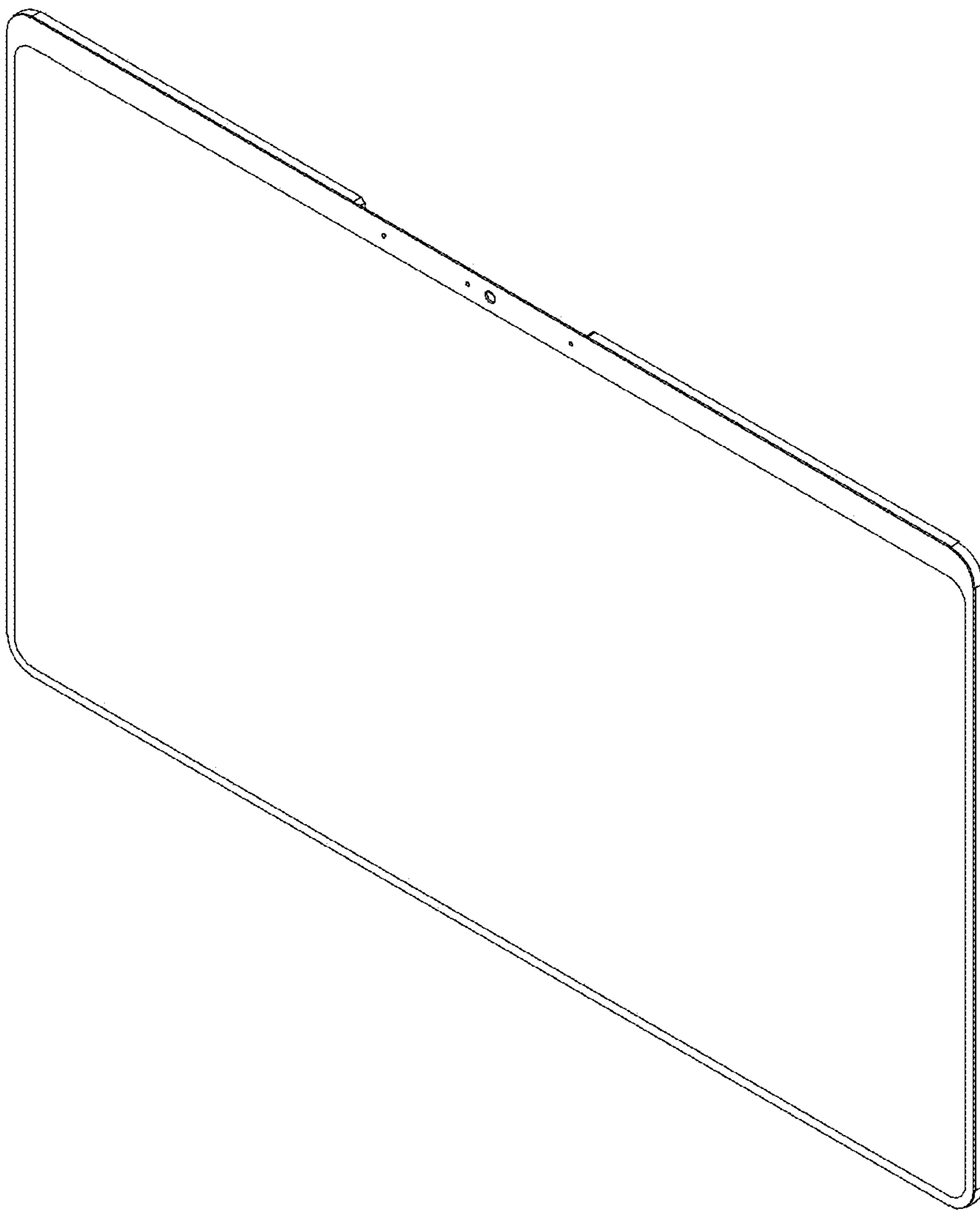


FIG. 2

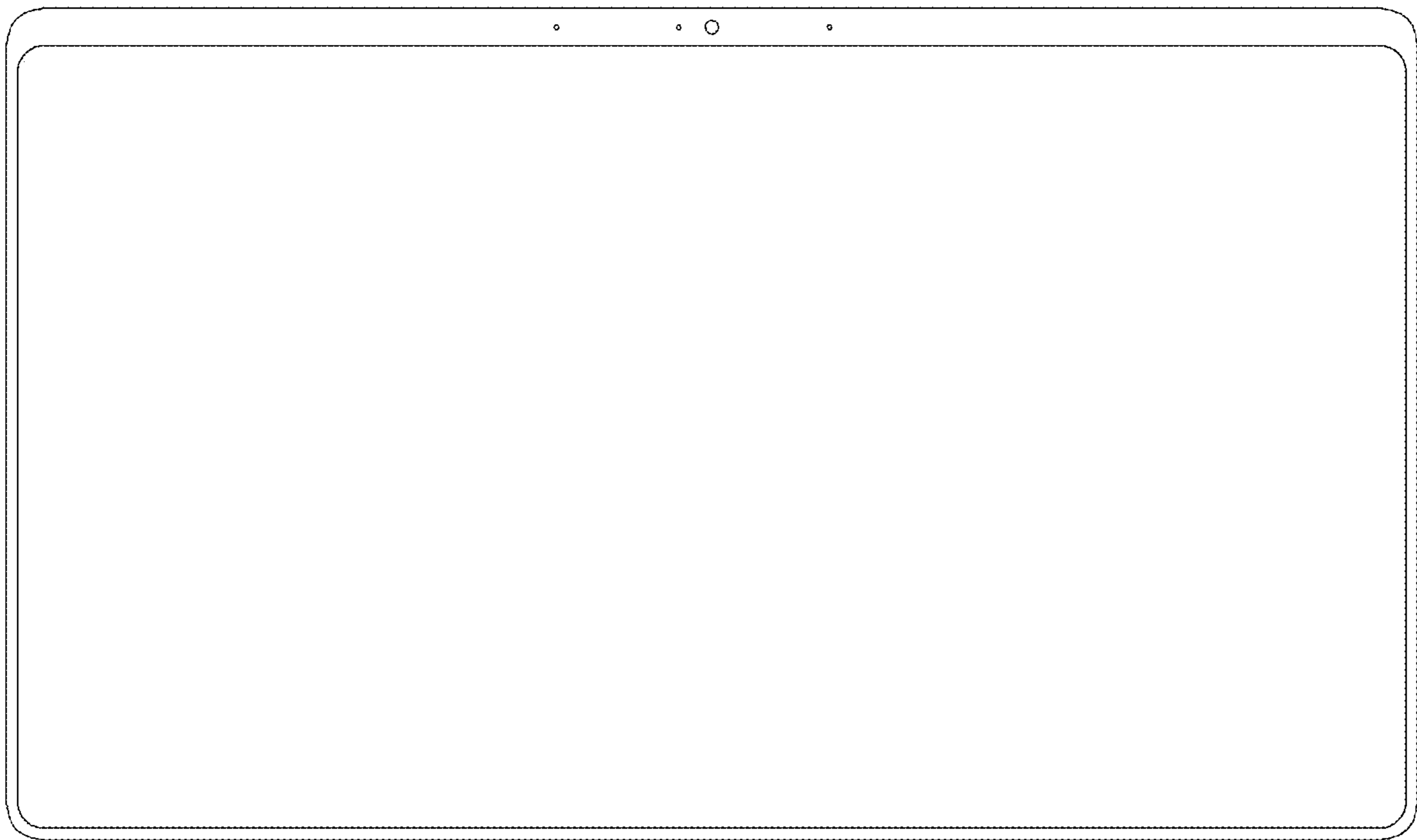


FIG. 3

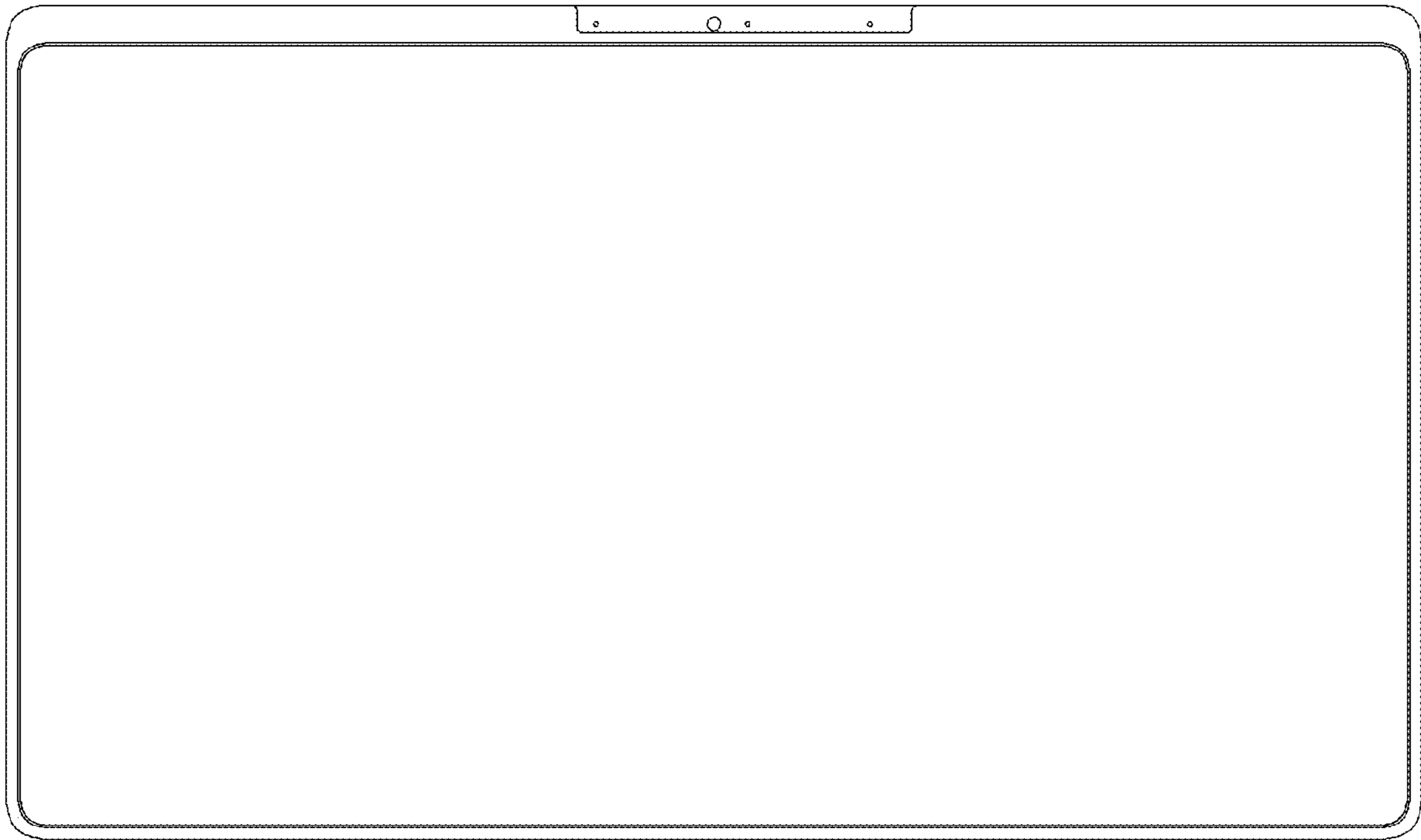


FIG. 4

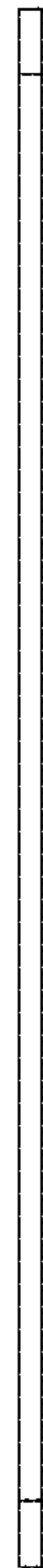


FIG. 5



FIG. 6

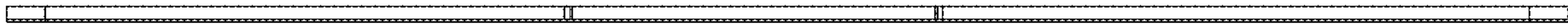


FIG. 7

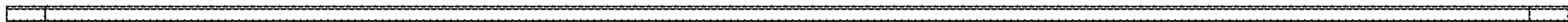


FIG. 8

