



US00D962946S

(12) **United States Design Patent**
Qiang

(10) **Patent No.:** **US D962,946 S**

(45) **Date of Patent:** **** Sep. 6, 2022**

- (54) **HARD DISK DOCKING STATION**
- (71) Applicant: **ACASIS INC. Co., Ltd**, Shenzhen (CN)
- (72) Inventor: **Wang Qiang**, Shenzhen (CN)
- (73) Assignee: **ACASIS INC. CO., LTD**, Shenzhen (CN)
- (**) Term: **15 Years**
- (21) Appl. No.: **29/767,708**
- (22) Filed: **Jan. 25, 2021**
- (30) **Foreign Application Priority Data**

Dec. 11, 2020 (CN) 202030765105.2

(51) **LOC (13) Cl.** **14-02**

(52) **U.S. Cl.**
USPC **D14/434**; D14/357; D14/433

(58) **Field of Classification Search**
USPC ... D14/434, 433, 435, 435.1, 356, 357, 358, D14/440, 447, 432, 451, 452, 454, 300, D14/301, 302, 314, 348, 353-355, 363, D14/365, 385, 217, 240, 299, 496, 125, D14/171, 251-253; D13/103, 107, 108, D13/118, 119, 184, 110, 123, 133, 135, D13/137.2, 139.2, 139.4, 146, 147; D21/333

CPC G06F 1/16; G06F 1/1616; G06F 1/1626; G06F 1/1632; G06F 1/1684; G06F 1/1688; G06F 1/266; G06F 13/00; G06F 13/12; G06F 13/14; G06F 13/20; G06F 13/382; G06F 13/4022; F16M 11/10; F16M 11/20; H02J 57/025; H02J 7/0042; H02J 7/00; H02J 7/0027; H02J 7/0044; H02J 7/0045; H02J 7/355; H02J 7/025; H04R 1/025; H04R 5/04; H01R 31/065; H01M 10/44

See application file for complete search history.

(56) **References Cited**

U.S. PATENT DOCUMENTS

D275,752 S *	10/1984	Mahan	D14/240
D292,925 S *	11/1987	Siegel	D14/194
D296,695 S *	7/1988	Siegel	D14/194
D328,734 S *	8/1992	Riley	D14/355
D328,735 S *	8/1992	Barbera	D14/355
D337,997 S *	8/1993	Brunner	D14/368
D362,240 S *	9/1995	Heidorn	D14/357
D391,556 S *	3/1998	Corrington	D14/367
D431,231 S *	9/2000	Goto	D14/356
D477,824 S *	7/2003	Taniguchi	D14/434
D525,968 S *	8/2006	Peng	D14/300
D532,786 S *	11/2006	Iseki	D14/365
D565,568 S *	4/2008	Trifilio	D14/356
D565,571 S *	4/2008	Trifilio	D14/356

(Continued)

FOREIGN PATENT DOCUMENTS

CN 305670390 * 3/2020

Primary Examiner — Marie D. Fast Horse

(74) *Attorney, Agent, or Firm* — FisherBroyles LLP

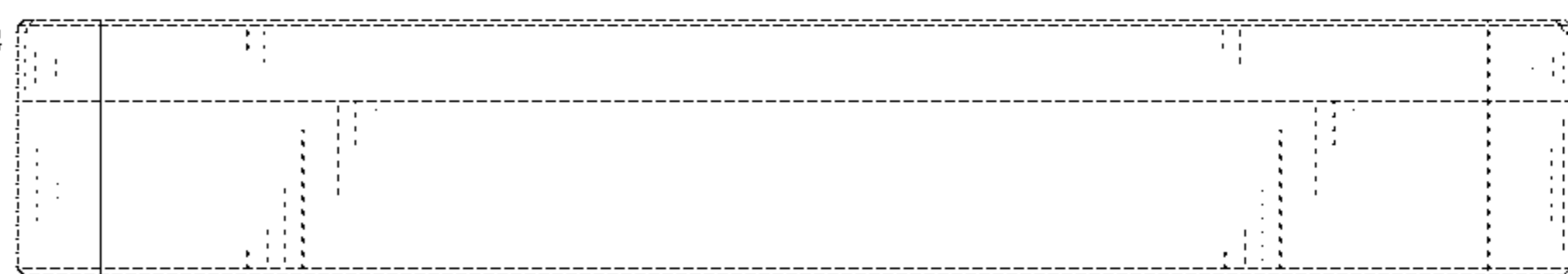
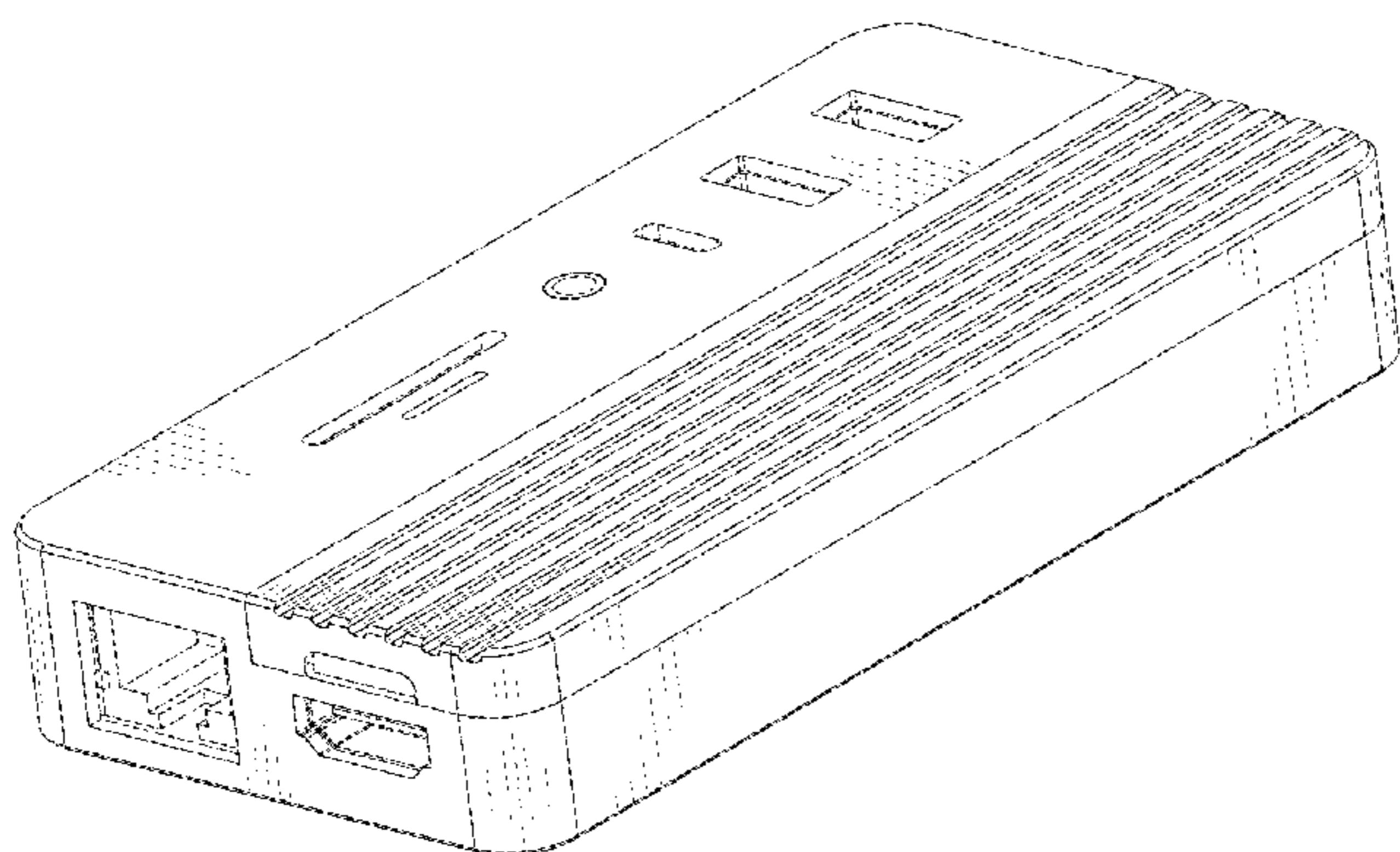
(57) **CLAIM**

The ornamental design for a hard disk docking station, as shown and described.

DESCRIPTION

FIG. 1 is a front, left and bottom perspective view of a hard disk docking station showing my new design; FIG. 2 is a rear, right and top perspective view thereof; FIG. 3 is a front elevational view thereof; FIG. 4 is a rear elevational view thereof; FIG. 5 is a left side view thereof; FIG. 6 is a right side view thereof; FIG. 7 is a top plan view thereof; and, FIG. 8 is a bottom plan view thereof. The broken lines depict portions of the hard disk docking station that form no part of the claimed design.

1 Claim, 8 Drawing Sheets



(56)

References Cited

U.S. PATENT DOCUMENTS

D582,410 S * 12/2008 Tsuboi D14/356
 D618,237 S * 6/2010 Wang D14/356
 D618,676 S * 6/2010 Hui D14/300
 D642,167 S * 7/2011 Brandt D14/242
 D647,908 S * 11/2011 Chen D14/434
 D686,614 S * 7/2013 Tan D14/240
 D693,808 S * 11/2013 Kim D14/365
 D695,290 S * 12/2013 Fukuoka D14/365
 D729,239 S * 5/2015 Fukuoka D14/348
 D730,306 S * 5/2015 Tang D14/125
 D730,850 S * 6/2015 Tang D14/125
 D732,010 S * 6/2015 Hsiau D14/240
 D733,080 S * 6/2015 Kuh D14/125
 D740,809 S * 10/2015 Kwon D14/365
 D743,962 S * 11/2015 Ikeda D14/348
 D751,071 S * 3/2016 Kurata D14/365
 D758,366 S * 6/2016 Peng D14/363
 D760,223 S * 6/2016 Peng D14/363
 D768,129 S * 10/2016 Chen D14/356
 D778,280 S * 2/2017 Vanderpol D14/363
 D782,476 S * 3/2017 Yamazaki D14/240
 D842,829 S * 3/2019 Wang D14/125

D842,859 S * 3/2019 Loh D14/433
 D843,316 S * 3/2019 Zhou D13/108
 D853,955 S * 7/2019 Oliver D13/110
 D853,959 S * 7/2019 Miller D13/108
 D854,545 S * 7/2019 Woo D14/435
 D869,411 S * 12/2019 Wang D14/125
 D880,479 S * 4/2020 Liao D14/433
 D890,760 S * 7/2020 Menendez D14/434
 D914,023 S * 3/2021 Yang D14/434
 D917,489 S * 4/2021 Jiang D14/434
 D922,379 S * 6/2021 Huang D14/363
 D922,387 S * 6/2021 Zhang D14/433
 D922,388 S * 6/2021 Liu D14/434
 D923,010 S * 6/2021 Zhang D14/433
 D926,191 S * 7/2021 Wu D14/434
 D934,261 S * 10/2021 Zhang D14/434
 D934,870 S * 11/2021 Draca D14/444
 D935,464 S * 11/2021 Wang D14/434
 D935,465 S * 11/2021 Wang D14/433
 D937,836 S * 12/2021 Chin D14/433
 D938,418 S * 12/2021 Zhang D14/348
 D938,426 S * 12/2021 Feng D14/434
 D943,572 S * 2/2022 Zhang D14/348
 2012/0327595 A1 * 12/2012 Caldwell G11B 33/08
 361/679.01

* cited by examiner

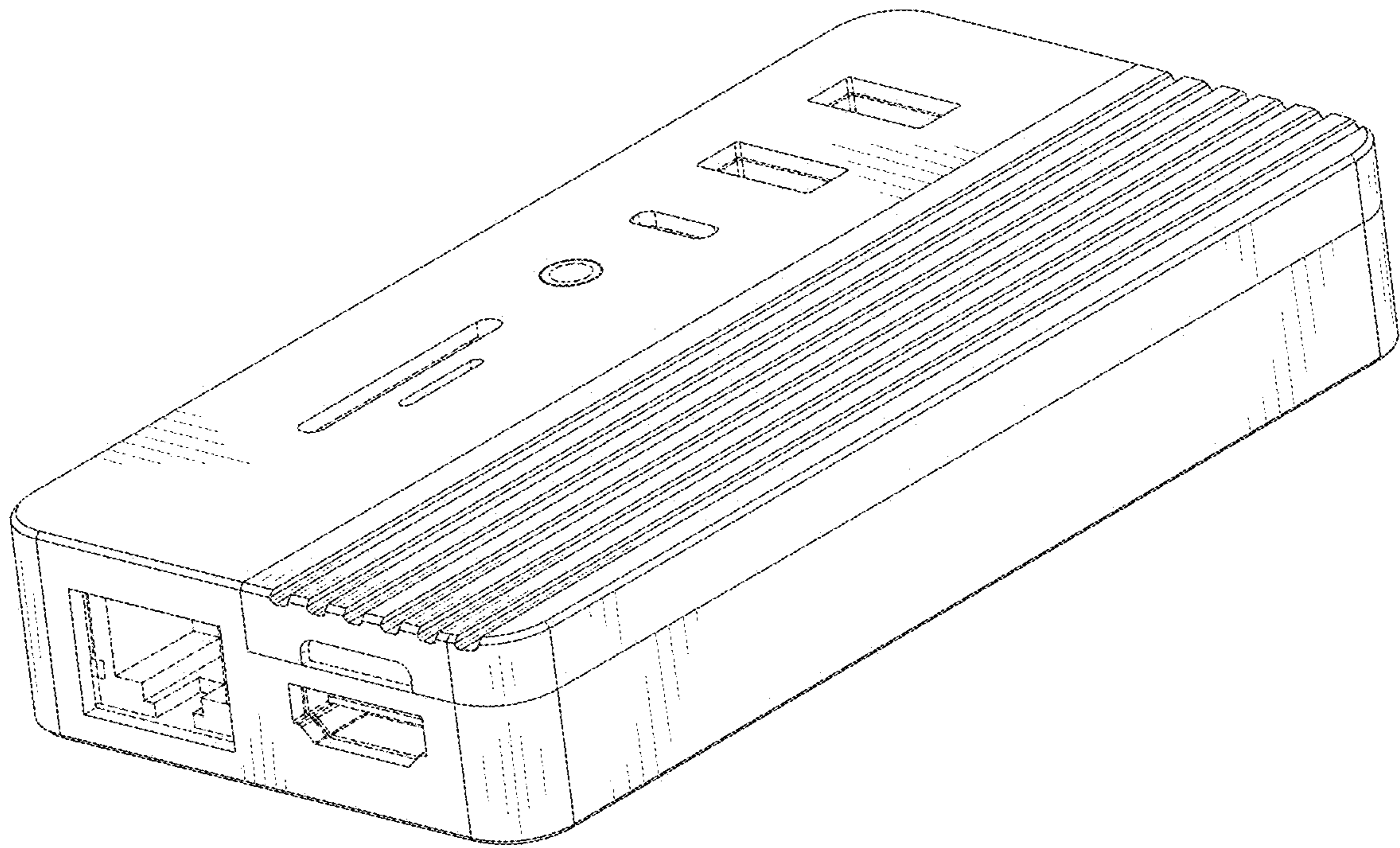


FIG. 1

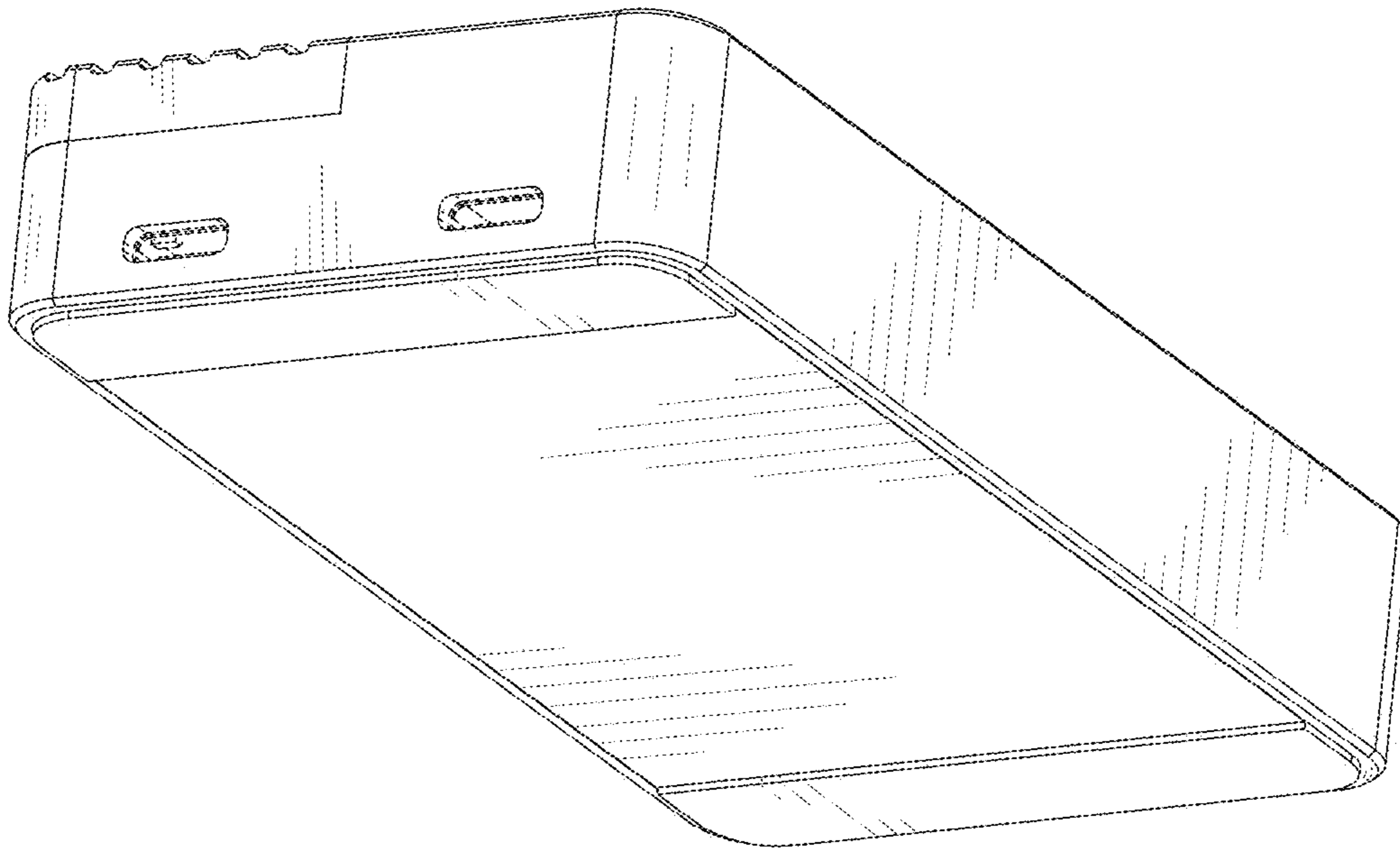


FIG.2

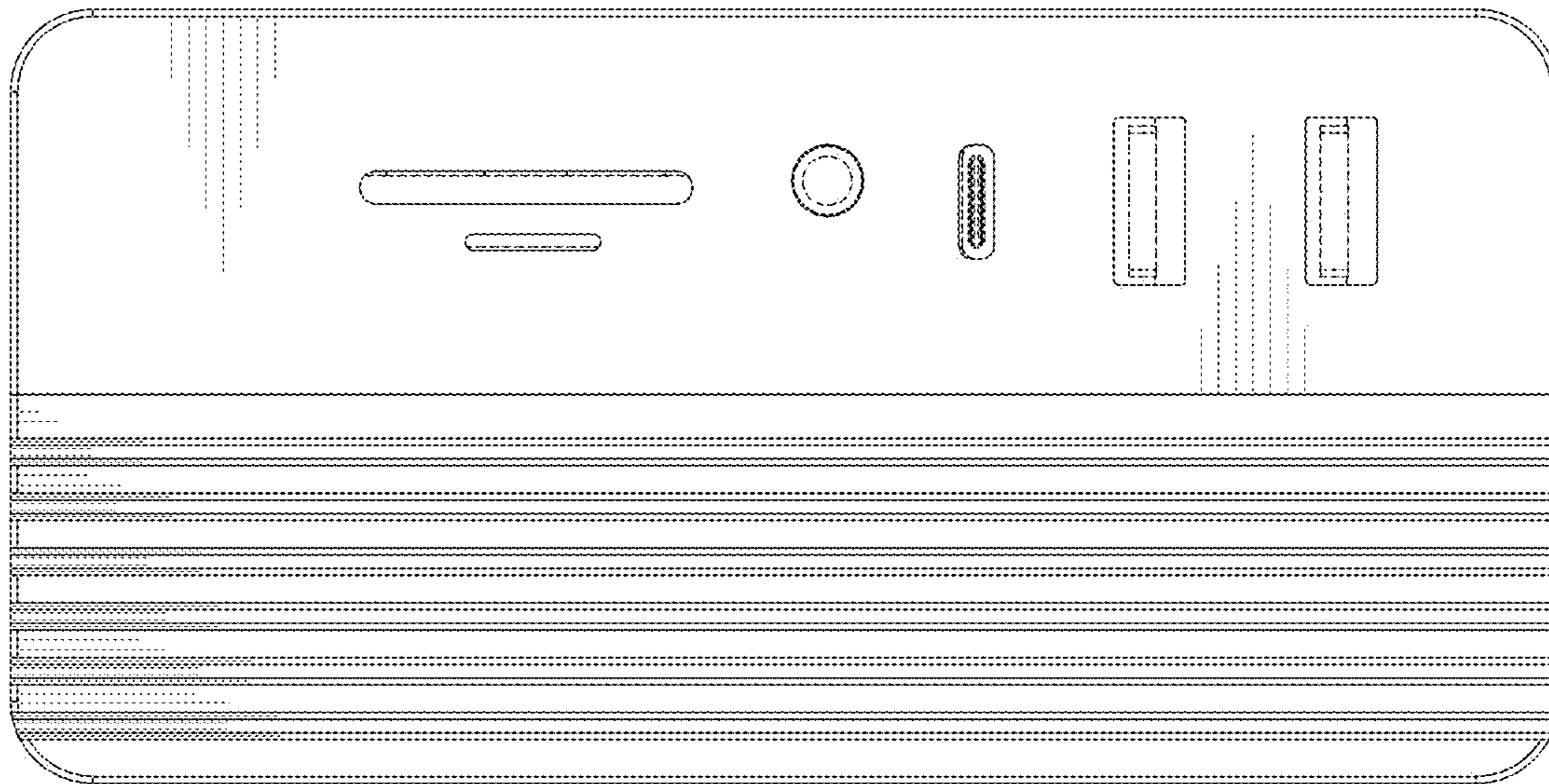


FIG.3

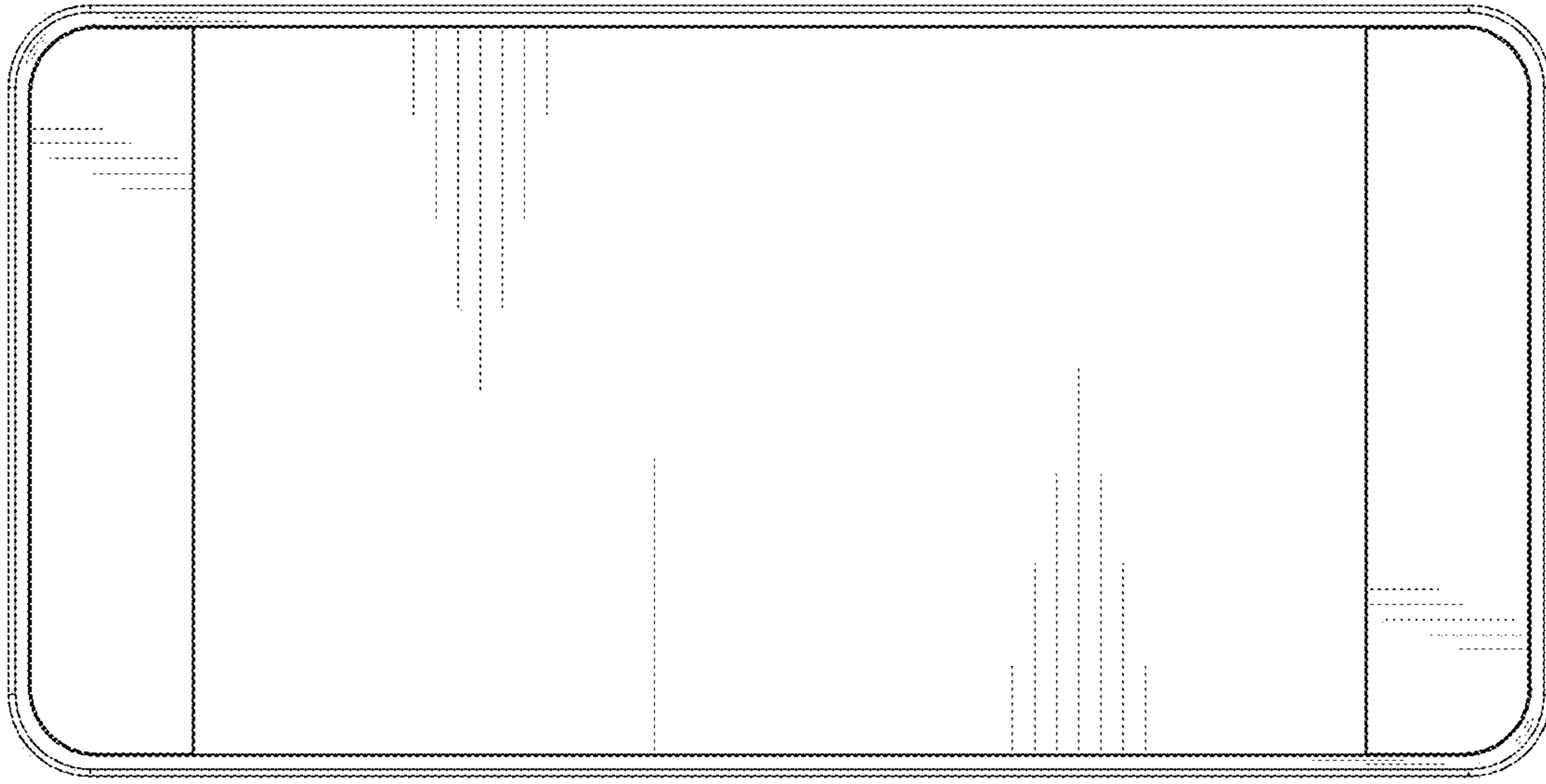


FIG.4

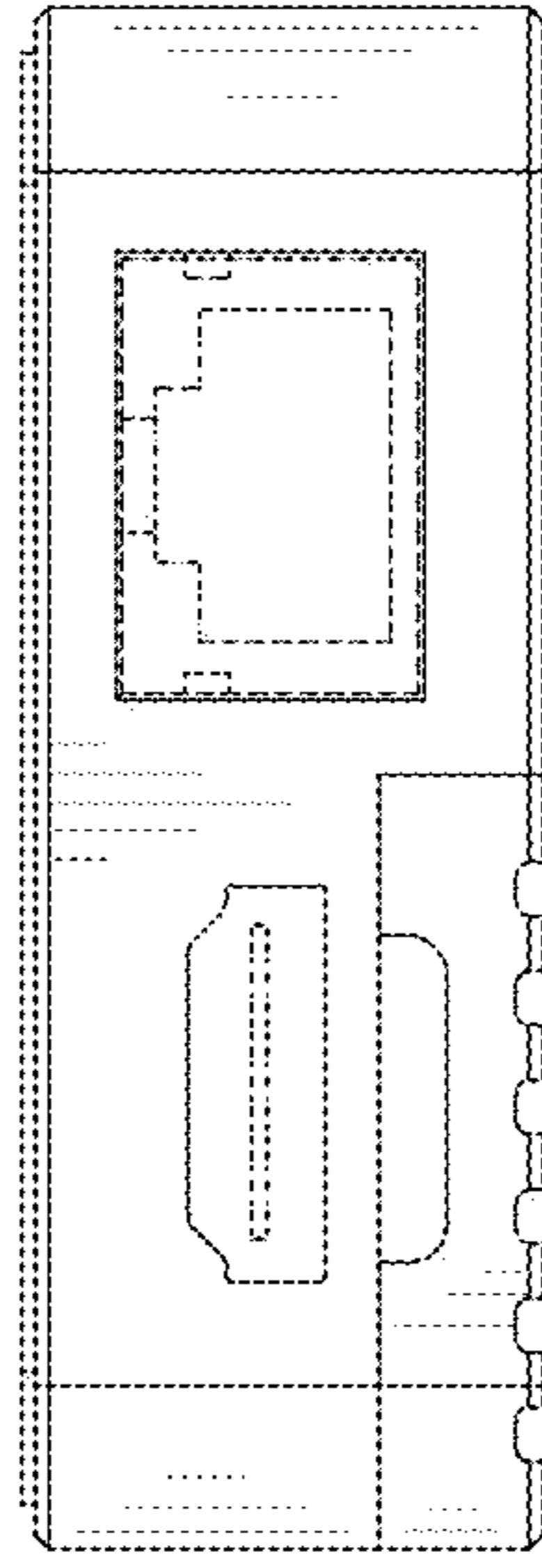


FIG. 5

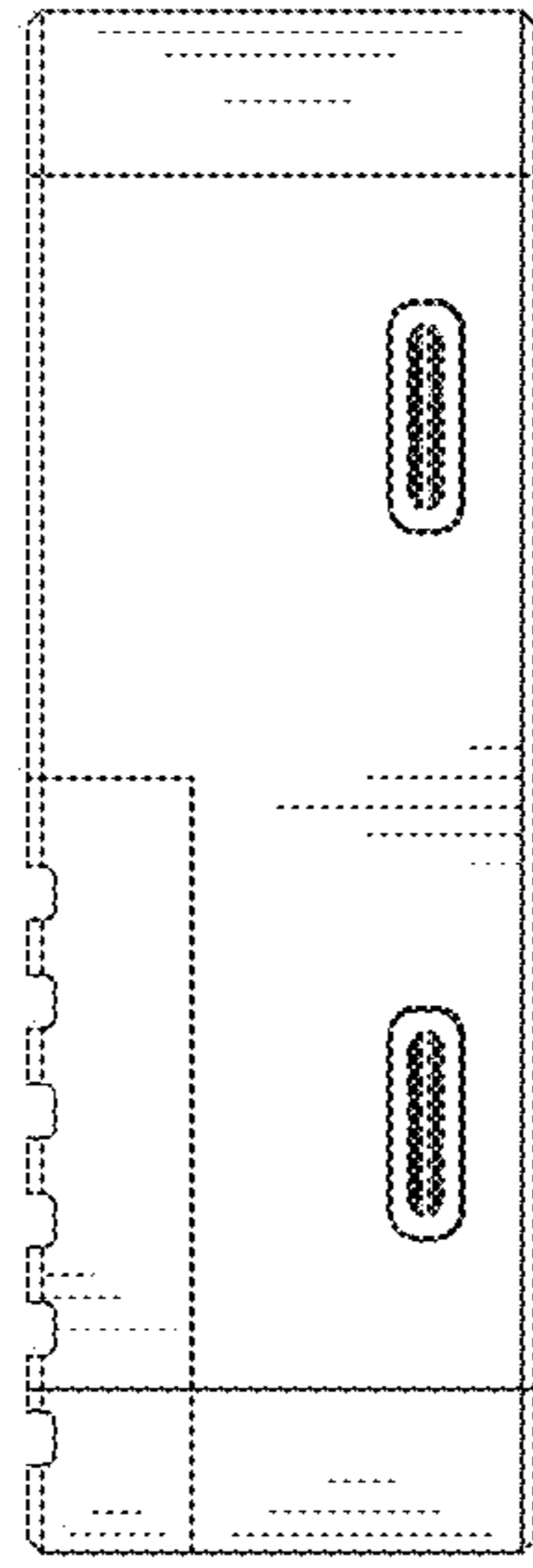


FIG.6



FIG.7

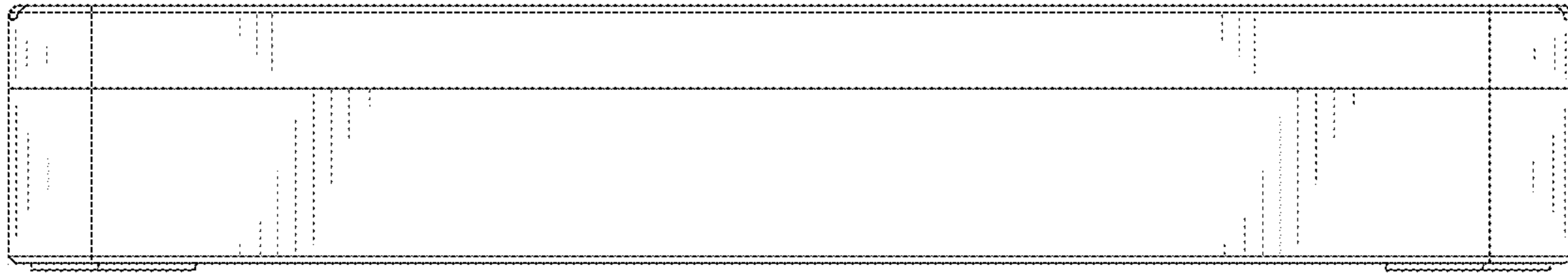


FIG.8