



US00D962945S

(12) **United States Design Patent**
Saweris et al.

(10) **Patent No.:** **US D962,945 S**

(45) **Date of Patent:** **** Sep. 6, 2022**

(54) **CASE FOR ELECTRONICS EXPANSION DEVICE**

(71) Applicant: **Geotab Inc.**, Oakville (CA)

(72) Inventors: **David Bassem G E Saweris**, Milton (CA); **Marc James Christelis**, Mississauga (CA); **Sajjad Karimi**, Mississauga (CA); **Michael Pirruccio**, Oakville (CA); **Dalton Weatherley**, Burlington (CA)

(73) Assignee: **Geotab Inc.**, Oakville (CA)

(**) Term: **15 Years**

(21) Appl. No.: **29/732,533**

(22) Filed: **Apr. 24, 2020**

(51) **LOC (13) Cl.** **14-99**

(52) **U.S. Cl.**
USPC **D14/433**; D13/107; D13/110

(58) **Field of Classification Search**
USPC D14/432, 433, 434, 435.1, 438, 439; D13/133, 146, 147, 153, 154, 103, 107, D13/110, 112; D10/61, 65, 70, 74
CPC H05K 5/0278; H05K 7/026; G06K 19/07732; H01R 27/00; H01R 27/02; H01R 31/06; G06F 1/1684
See application file for complete search history.

(56) **References Cited**

U.S. PATENT DOCUMENTS

D488,159 S *	4/2004	Chung	D13/133
D523,557 S *	6/2006	Jones	D24/155
D556,678 S *	12/2007	Weinstein	D13/103
D570,772 S *	6/2008	Mahaffey	D13/110
D575,228 S *	8/2008	So	D13/110
D606,936 S *	12/2009	Nakayama	D13/110
D617,267 S *	6/2010	Li	D13/107
D650,737 S *	12/2011	Hamilton	D13/103
D654,867 S *	2/2012	Huppe	D13/110

D656,896 S *	4/2012	Fung	D13/110
D688,200 S *	8/2013	Shin	D13/107
D717,728 S *	11/2014	Krauss	D13/103
D755,121 S *	5/2016	Barajas	D13/107
D770,376 S *	11/2016	Baum	D13/103
D793,964 S *	8/2017	Aromin	D13/160
D795,802 S *	8/2017	Inagaki	D13/107
D811,998 S *	3/2018	Wang	D13/107

(Continued)

OTHER PUBLICATIONS

U.S. Appl. No. 29/732,527, filed Apr. 24, 2020, Saweris et al.
Saweris et al., Case for electronics expansion device. Co-pending U.S. Appl. No. 29/732,527, filed Apr. 24, 2020.

Primary Examiner — Rebekah A Caruso

(74) *Attorney, Agent, or Firm* — Wolf, Greenfield & Sacks, P.C.

(57) **CLAIM**

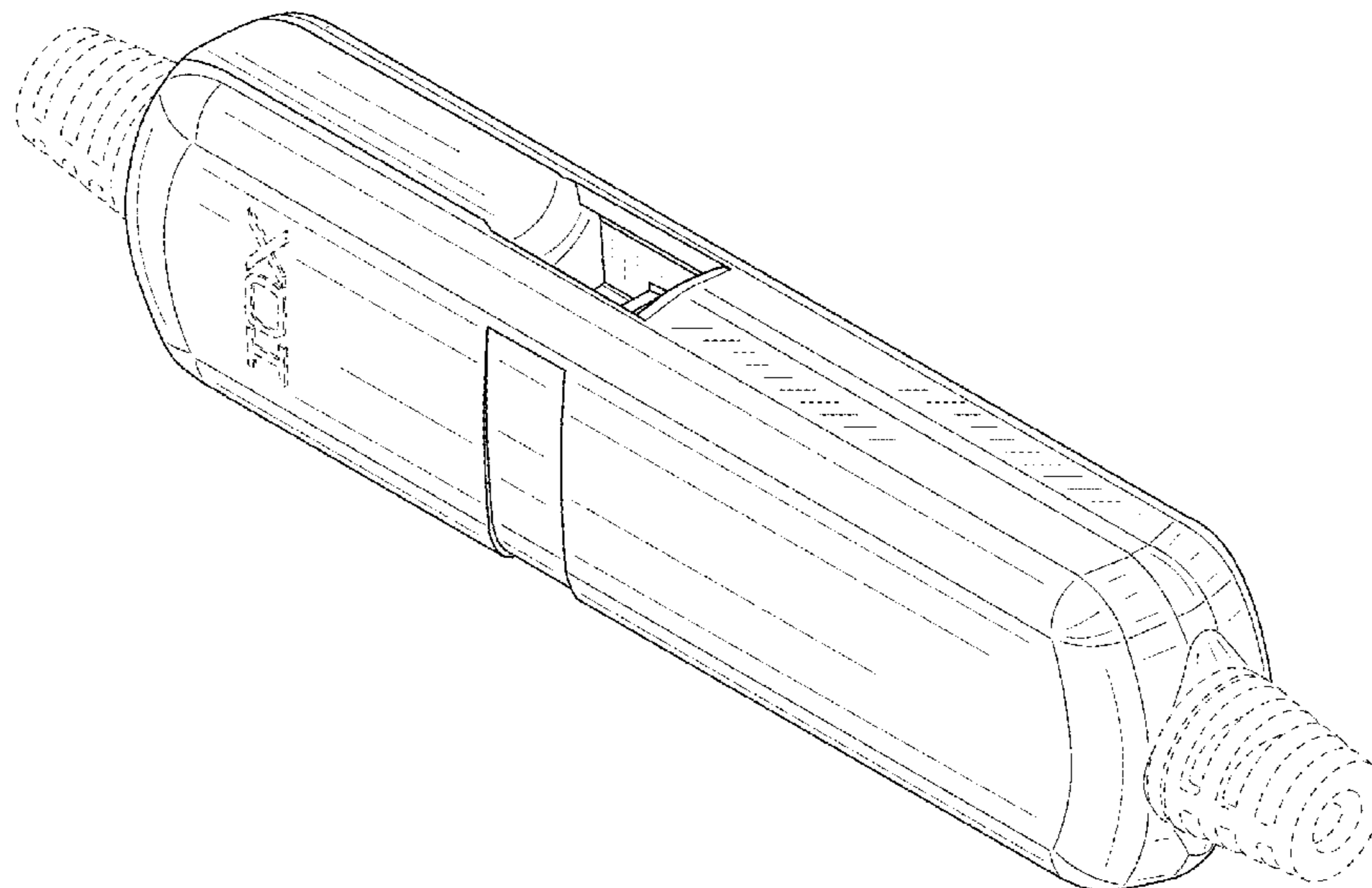
The ornamental design for a case for an electronics expansion device, as shown and described.

DESCRIPTION

FIG. 1 is a top, front, right side perspective view of an embodiment of a case for an electronics expansion device; FIG. 2 is a top, front, left side perspective view thereof; FIG. 3 is a top, rear, right side perspective view thereof; FIG. 4 is a top, rear, left side perspective view thereof; FIG. 5 is a bottom, rear, left side perspective view thereof; FIG. 6 is a top plan view thereof; FIG. 7 is a bottom plan view thereof; FIG. 8 is a left side elevation view thereof; FIG. 9 is a right side elevation view thereof; FIG. 10 is a rear elevation view thereof; and, FIG. 11 is a front elevation view thereof.

The dash-dash broken lines illustrate portions of a case for an electronics expansion device that form no part of the claimed design.

1 Claim, 10 Drawing Sheets



(56)

References Cited

U.S. PATENT DOCUMENTS

D814,407 S *	4/2018	Yang	D13/107
D814,409 S *	4/2018	Yang	D13/107
D859,305 S *	9/2019	Barajas	D13/107
D870,039 S *	12/2019	Wang	D13/108
D872,696 S *	1/2020	Yu	D13/137.4
D875,680 S *	2/2020	Chou	D13/110
D904,980 S *	12/2020	Inskeep	D13/110
D909,296 S *	2/2021	Chen	D13/110
D910,552 S *	2/2021	Hu	D13/107
D943,513 S *	2/2022	Osellame	D13/107

* cited by examiner

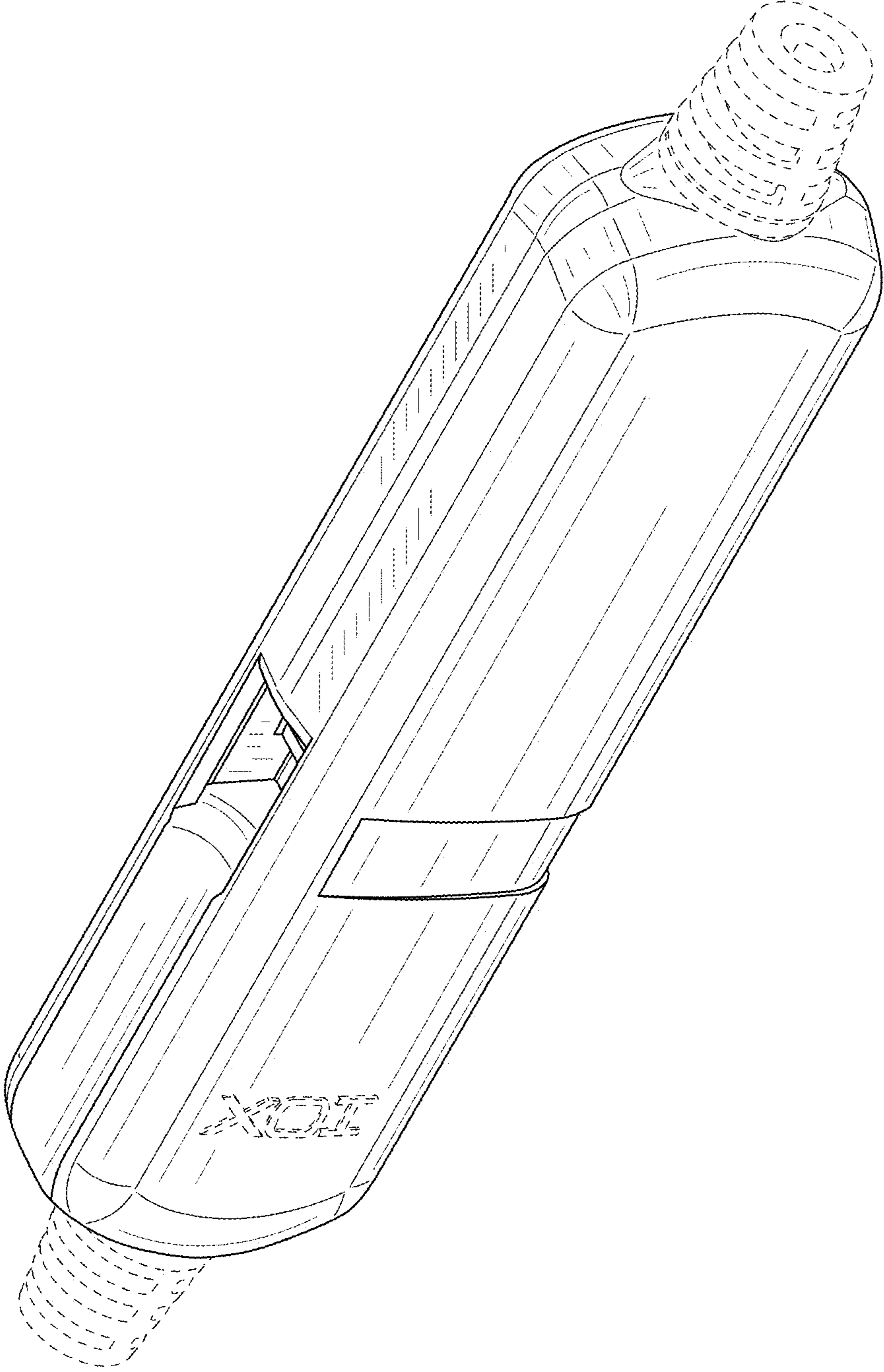


FIG. 1

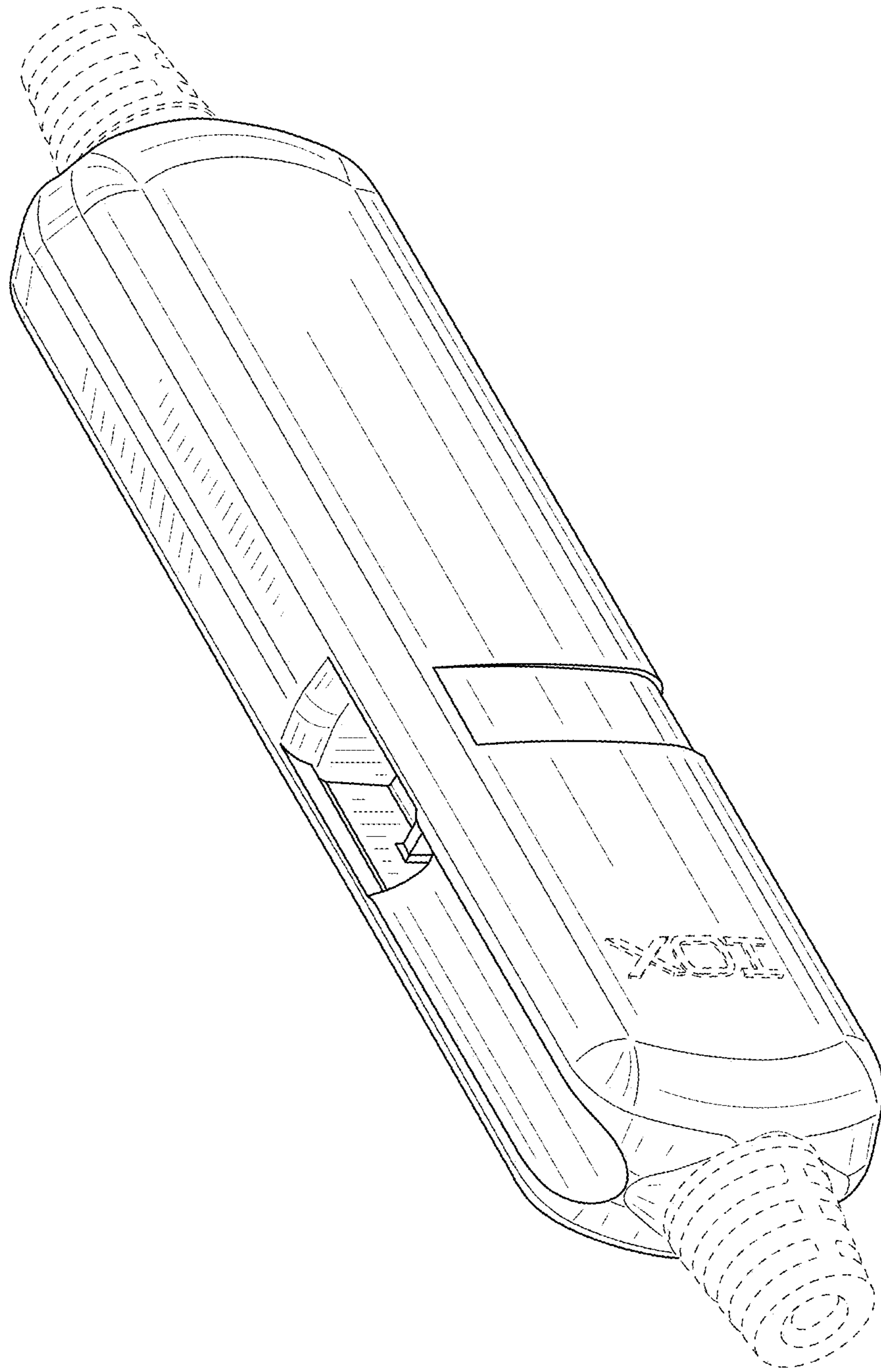


FIG. 2

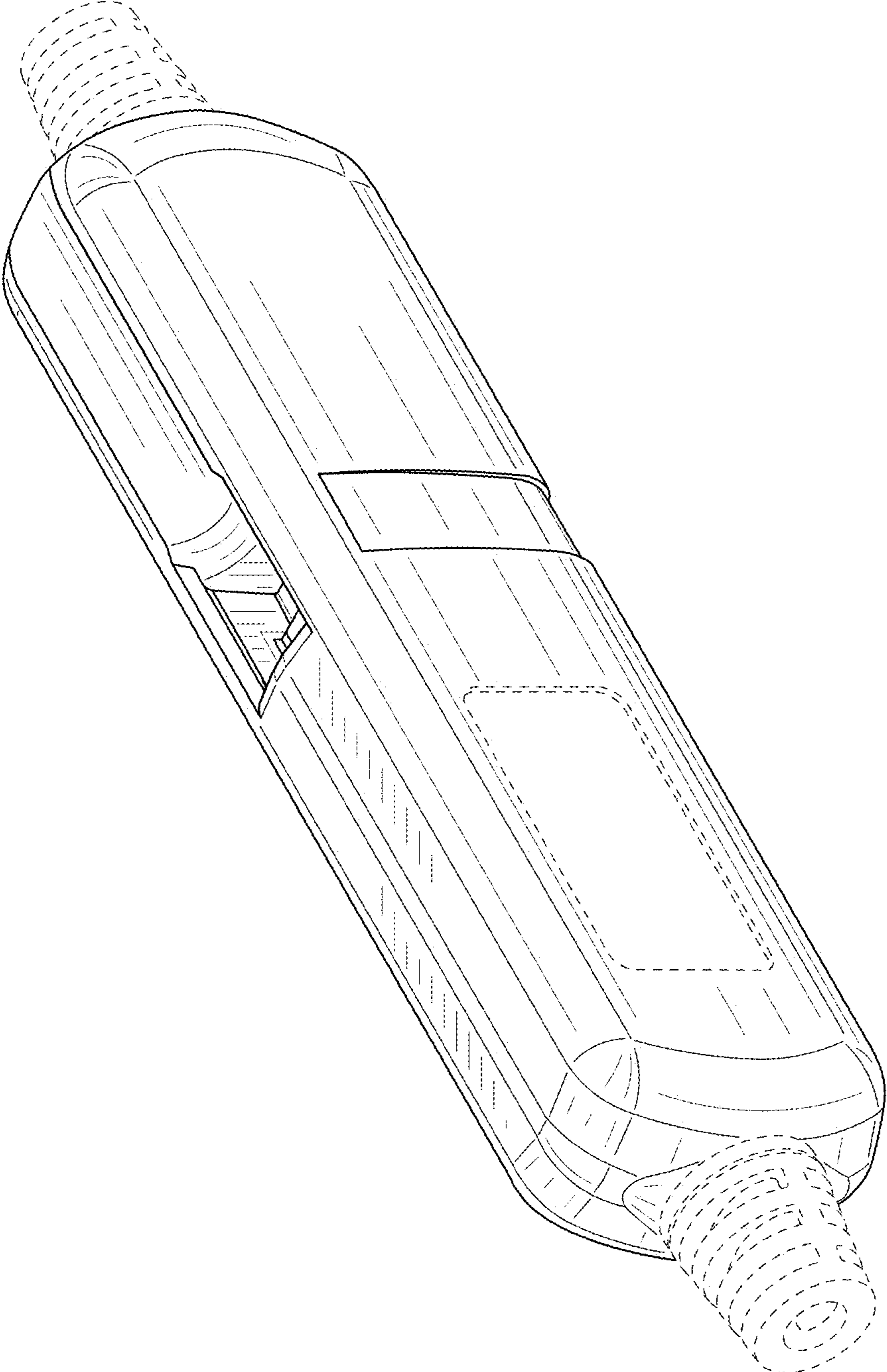


FIG. 3

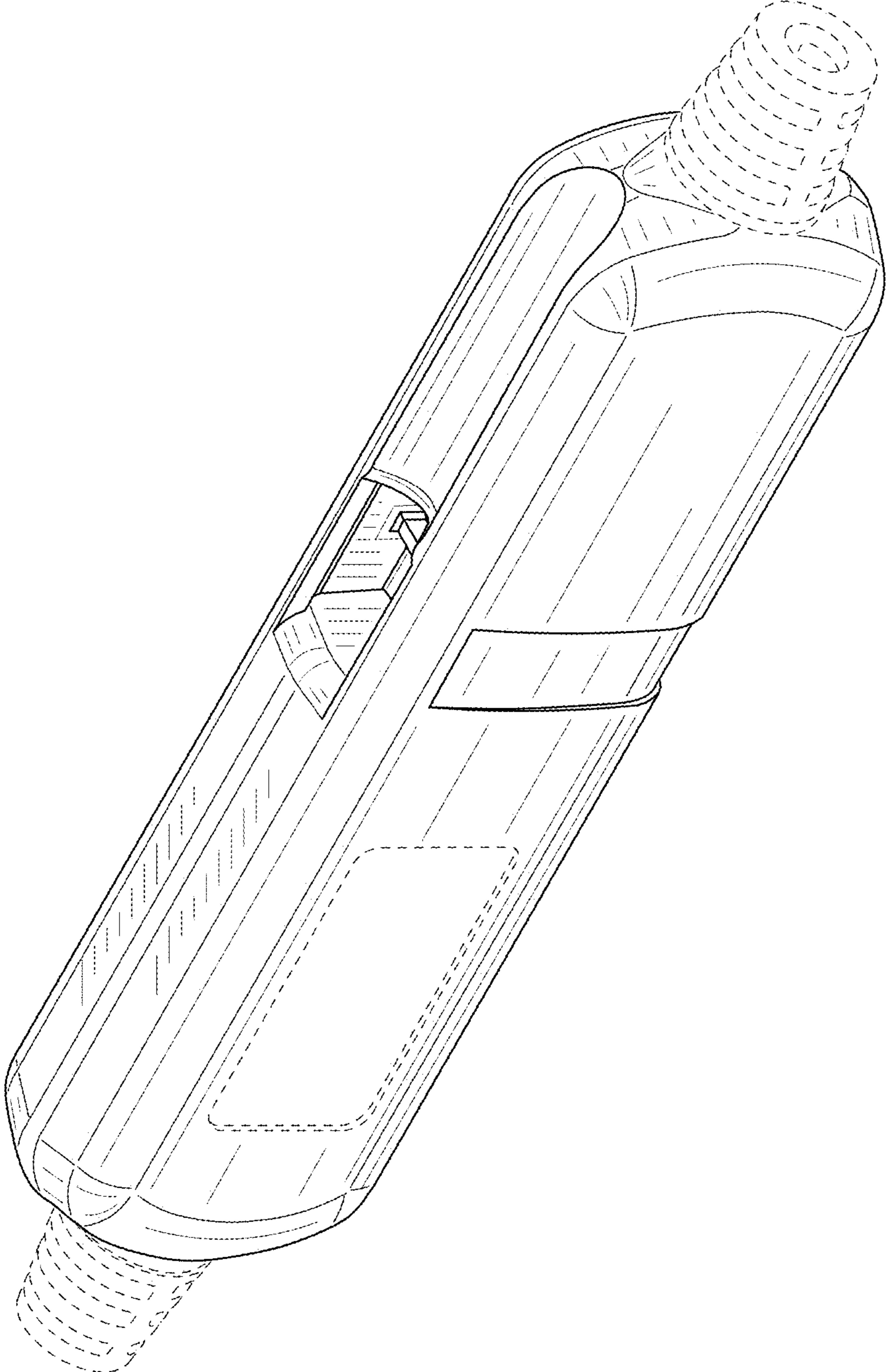


FIG. 4

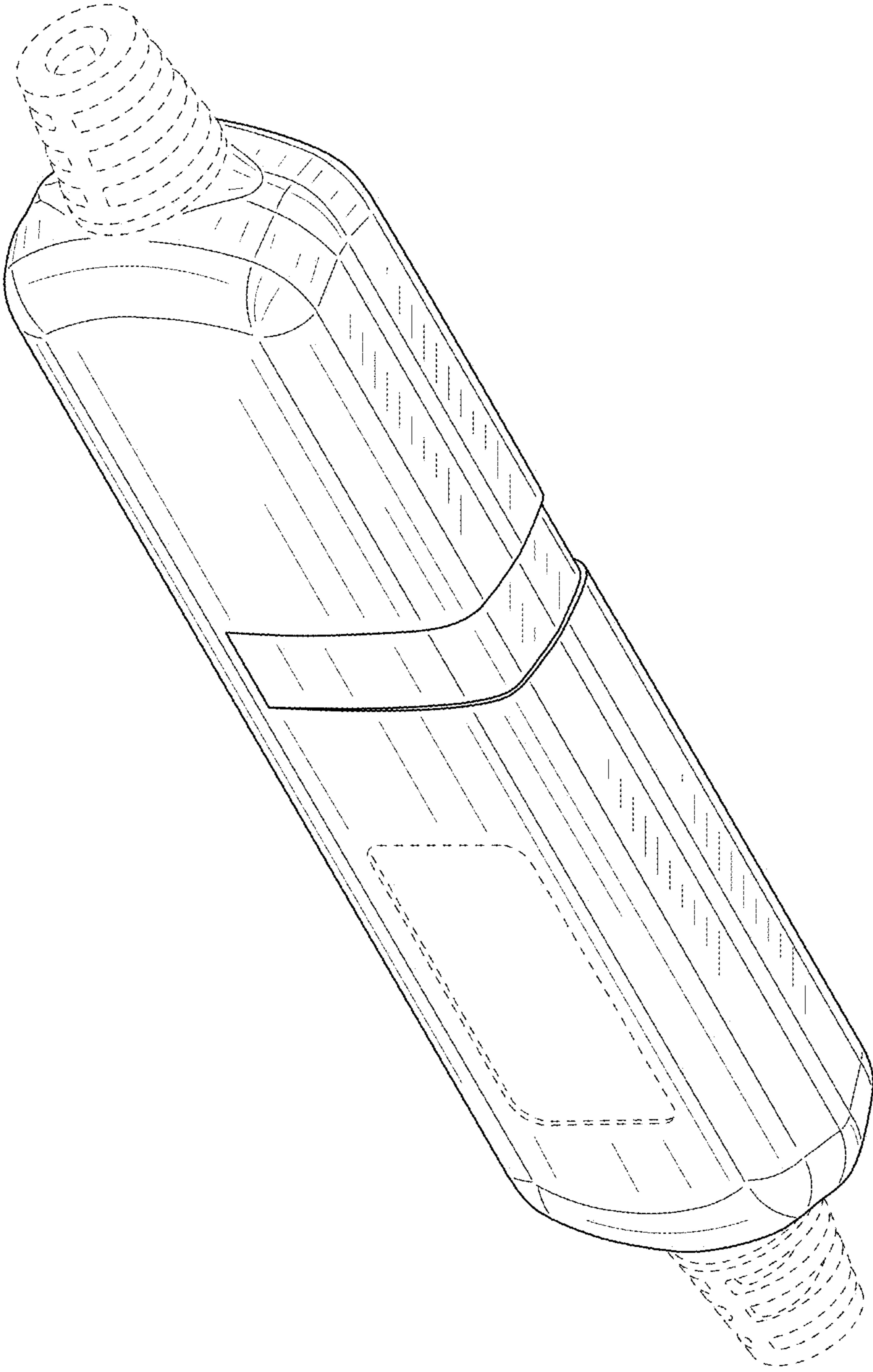


FIG. 5

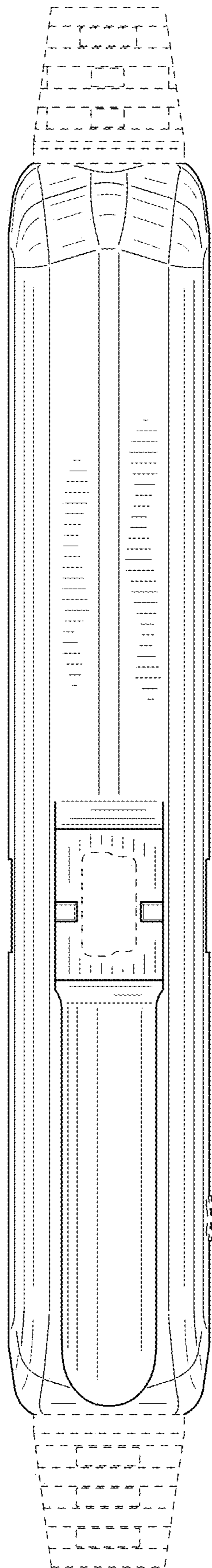


FIG. 6

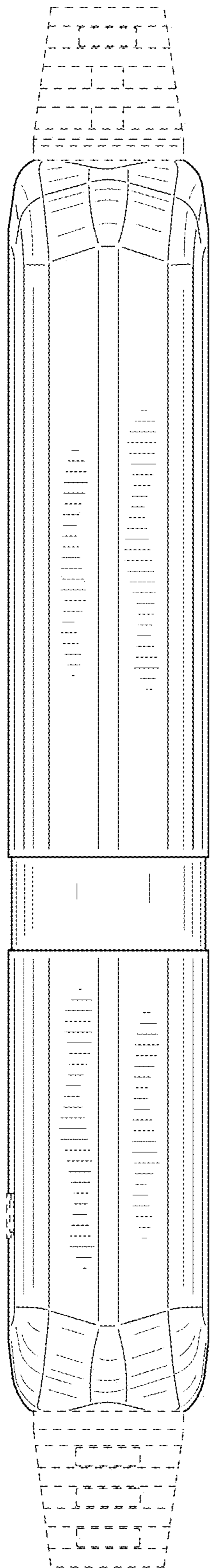


FIG. 7

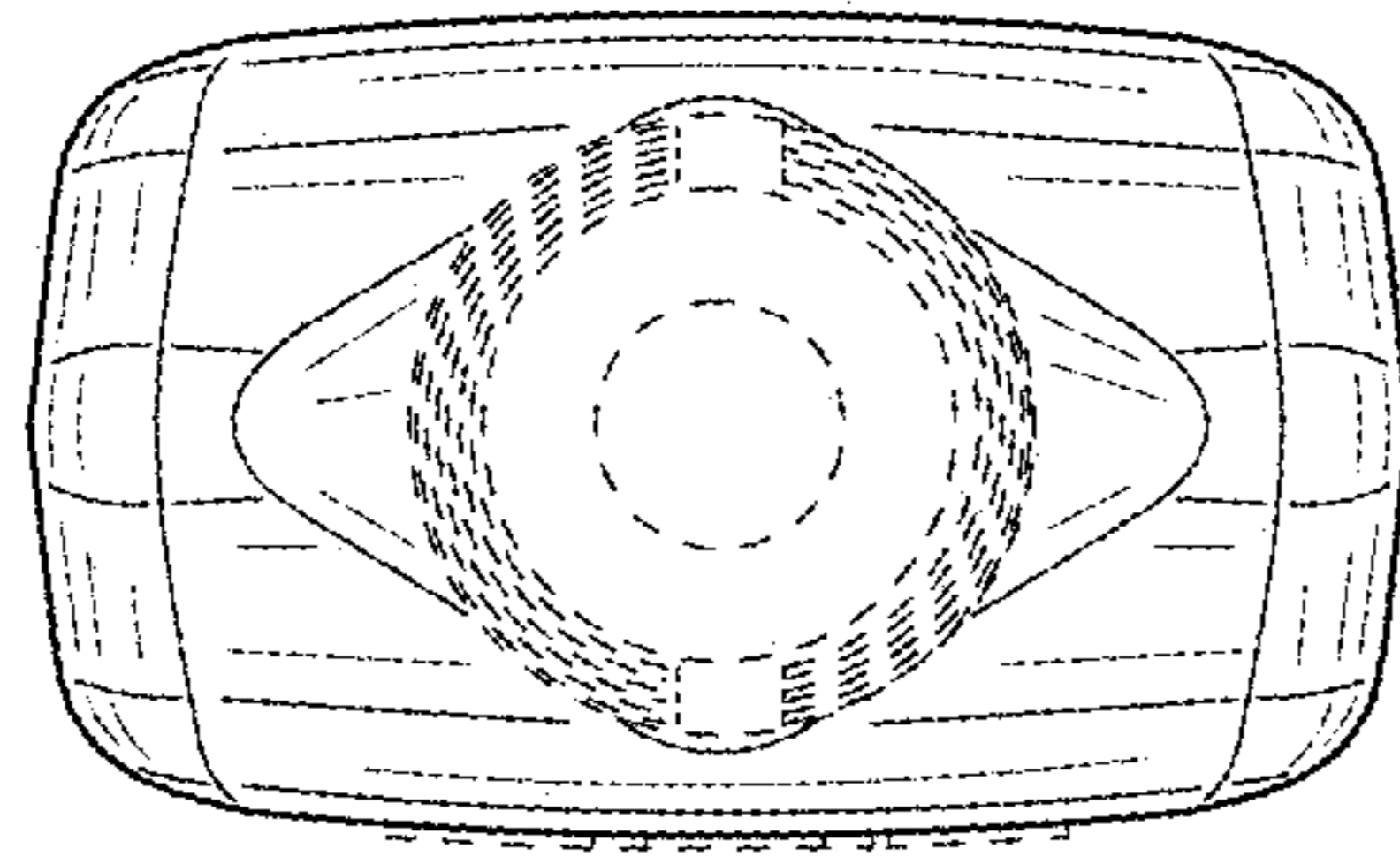


FIG. 9

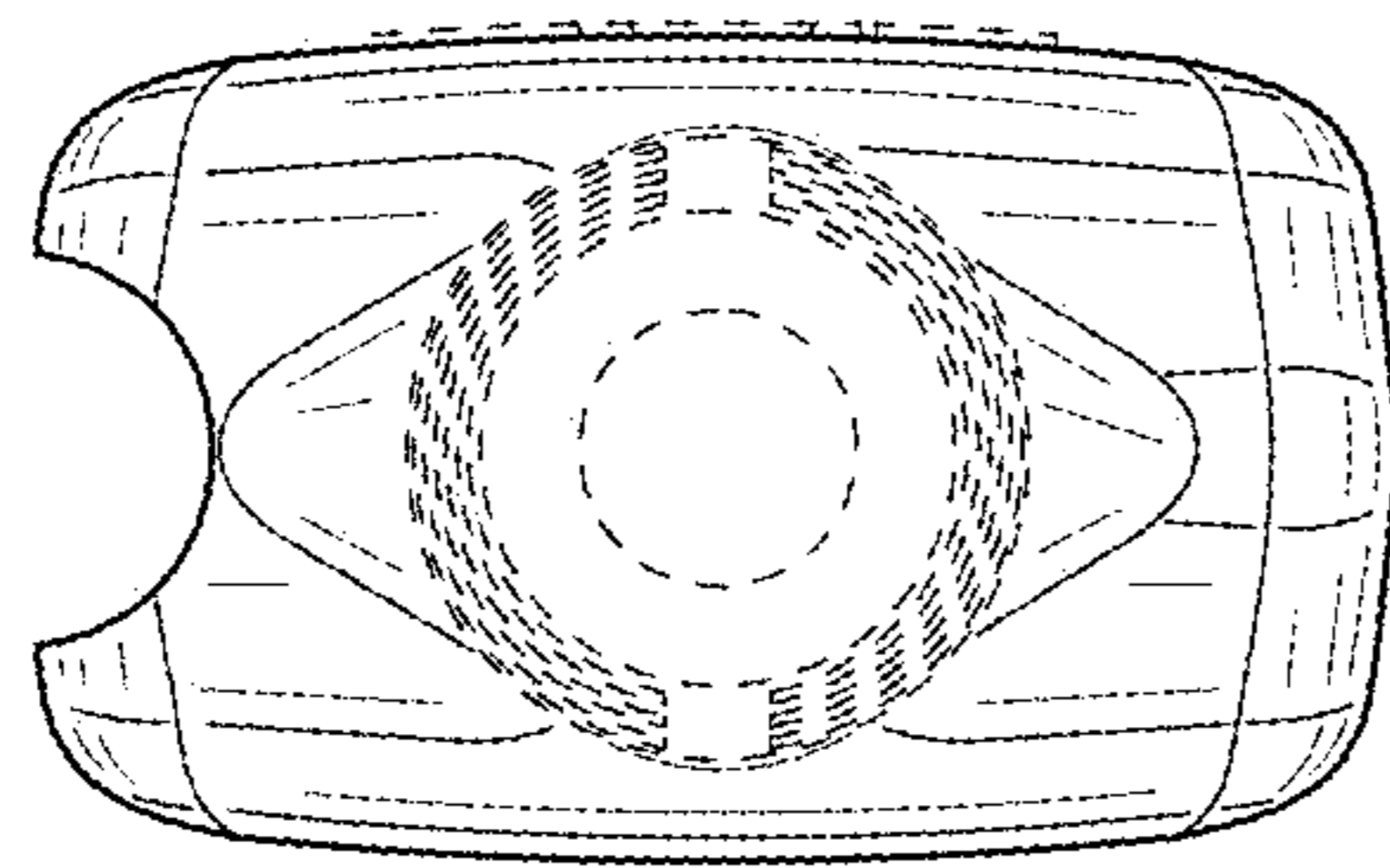


FIG. 8

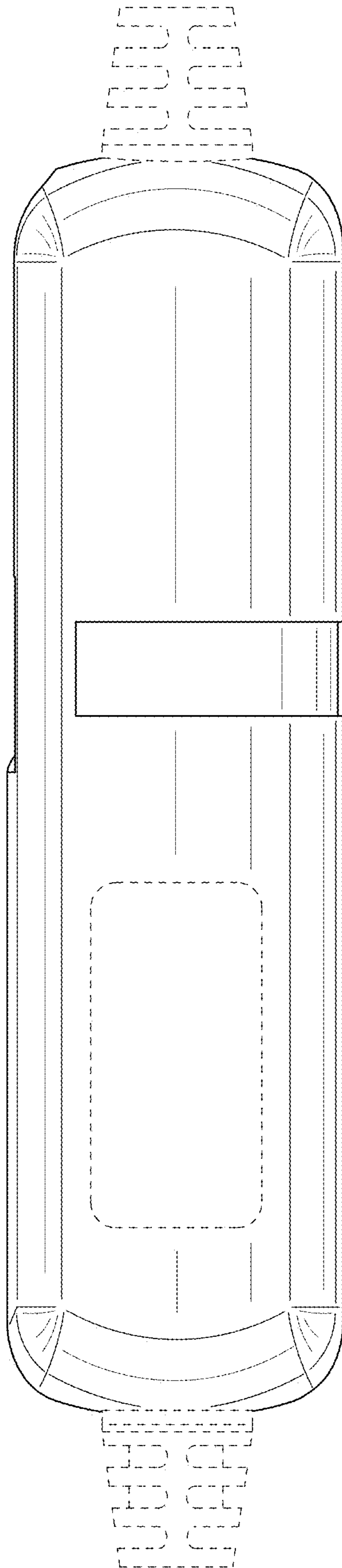


FIG. 10

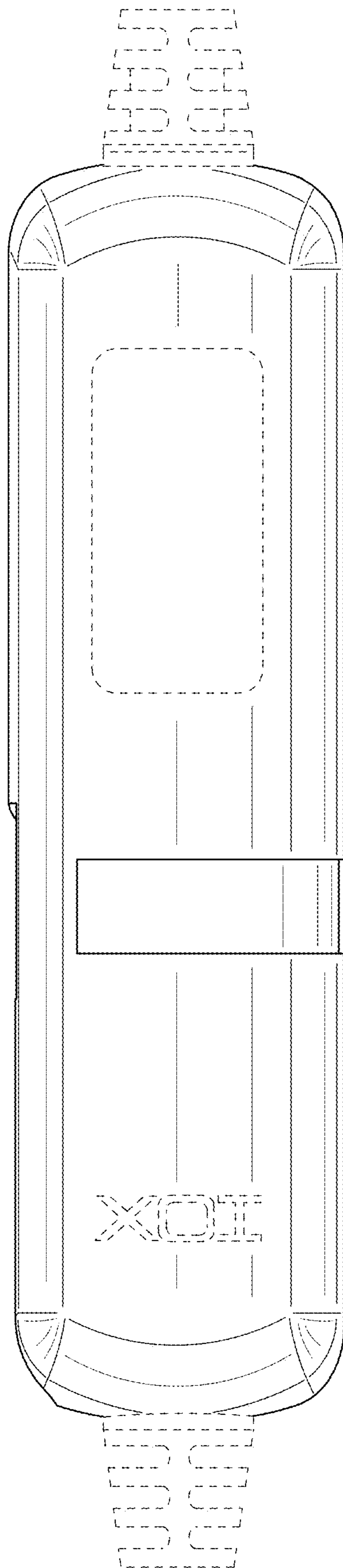


FIG. 11