



US00D962944S

(12) **United States Design Patent**
Fan et al.

(10) **Patent No.:** **US D962,944 S**
(45) **Date of Patent:** **** Sep. 6, 2022**

- (54) **CAMERA FOR MOBILE PHONE**
- (71) Applicant: **Guangdong Oppo Mobile Telecommunications Corp., Ltd.**, Guangdong (CN)
- (72) Inventors: **Xiaoyu Fan**, Guangdong (CN); **Guan Gong**, Guangdong (CN); **Yuxian Lin**, Guangdong (CN)
- (73) Assignee: **GUANGDONG OPPO MOBILE TELECOMMUNICATIONS CORP., LTD.**, Dongguan (CN)
- (**) Term: **15 Years**
- (21) Appl. No.: **29/687,551**
- (22) Filed: **Apr. 12, 2019**
- (30) **Foreign Application Priority Data**
Oct. 21, 2018 (CN) 201830587384.0
- (51) **LOC (13) Cl.** **14-02**
- (52) **U.S. Cl.**
USPC **D14/432**
- (58) **Field of Classification Search**
USPC D14/432, 315-318, 341-344, 129, 130, D14/496, 137, 138 R, 138 AA, 138 C, D14/138 G, 138 AB, 147, 203.1, 203.3, D14/203.4, 203.7, 247, 389; D16/131, D16/134, 135; 348/373, 208.11; 600/160; D24/172, 183-186
CPC .. H04M 1/0264; H04M 1/026; H04M 1/0283; H04M 1/0202; H04M 1/0281; H04M 1/0279; H04N 5/2252; H04N 5/2257; G06F 1/1613; G06F 15/00; A63H 33/3016; G01S 17/74; G01S 17/08
See application file for complete search history.

- D662,937 S * 7/2012 Lohman D8/382
- D682,903 S * 5/2013 Bratt D16/131
- 9,122,131 B2 * 9/2015 Coppage G02B 23/16
- D740,818 S * 10/2015 Ignomirello D14/372
- D780,820 S * 3/2017 Sedazzari D16/134
- D813,286 S * 3/2018 Sedazzari D16/134
- 10,165,161 B2 * 12/2018 Wei A61B 3/154
- 10,306,032 B2 * 5/2019 Wei H04M 1/0264

(Continued)

FOREIGN PATENT DOCUMENTS

TW D166694 S 3/2015

Primary Examiner — Austin Murphy

(74) *Attorney, Agent, or Firm* — Young Basile Hanlon & MacFarlane, P.C.

(57) **CLAIM**

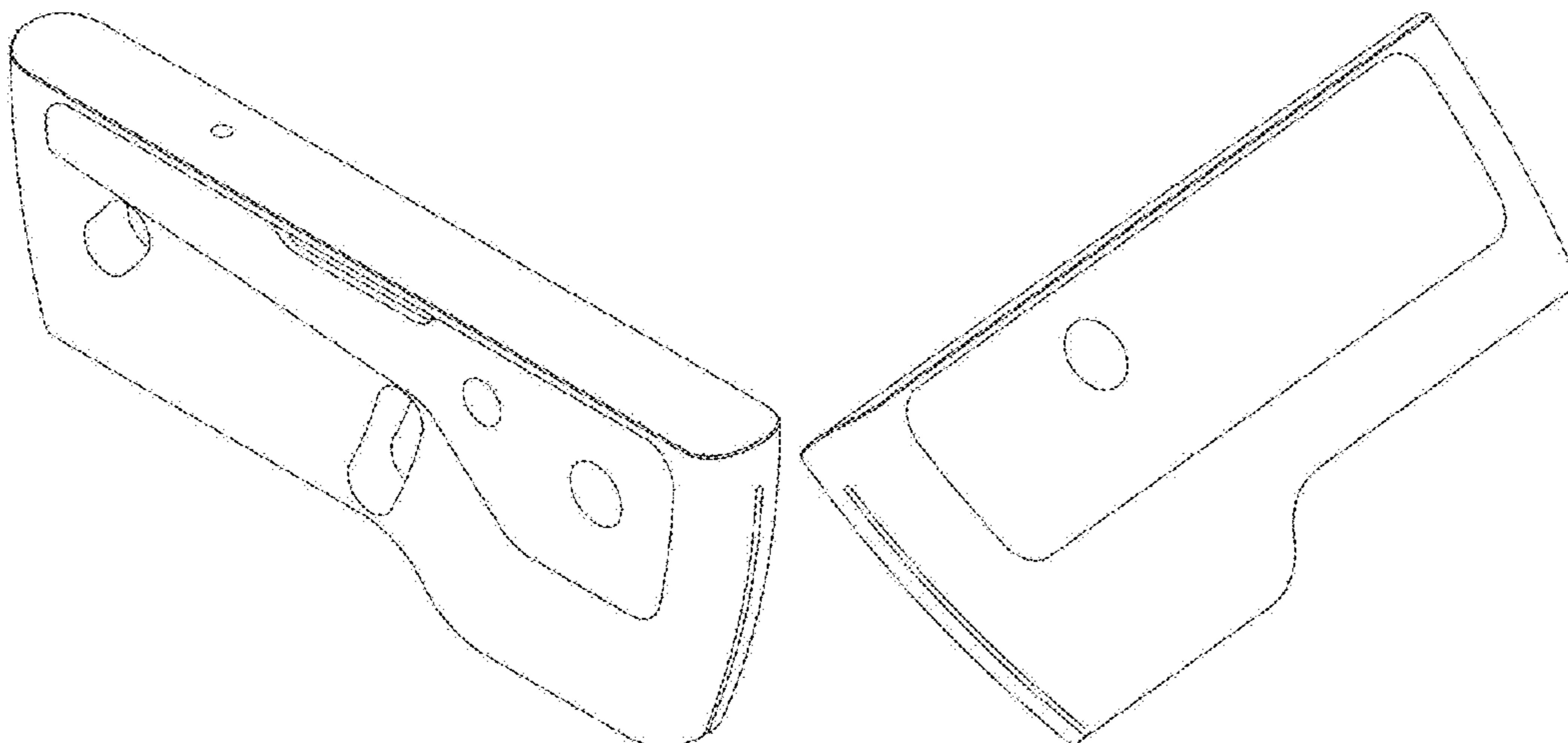
The ornamental design for a camera for mobile phone, as shown and described.

DESCRIPTION

FIG. 1 is a front, right perspective view of a camera for mobile phone showing our new design;
 FIG. 2 is a rear, right perspective view of the camera for mobile phone of FIG. 1;
 FIG. 3 is a front view of the camera for mobile phone of FIG. 1;
 FIG. 4 is a rear view of the camera for mobile phone of FIG. 1;
 FIG. 5 is a left side view of the camera for mobile phone of FIG. 1;
 FIG. 6 is a right side view of the camera for mobile phone of FIG. 1;
 FIG. 7 is a top plan view of the camera for mobile phone of FIG. 1; and,
 FIG. 8 is a bottom plan view of the camera for mobile phone of FIG. 1.

1 Claim, 5 Drawing Sheets

- (56) **References Cited**
U.S. PATENT DOCUMENTS
D537,459 S * 2/2007 Yip D16/131
D544,008 S * 6/2007 Stewart D16/135



(56)

References Cited

U.S. PATENT DOCUMENTS

10,356,966	B2 *	7/2019	Wei	G06F 1/1686
D940,873	S *	1/2022	Gupta	D24/172
2014/0142390	A1 *	5/2014	Bromwich	A61B 1/00131
				600/160
2015/0062419	A1 *	3/2015	Hooton	H04M 1/0264
				348/373

* cited by examiner

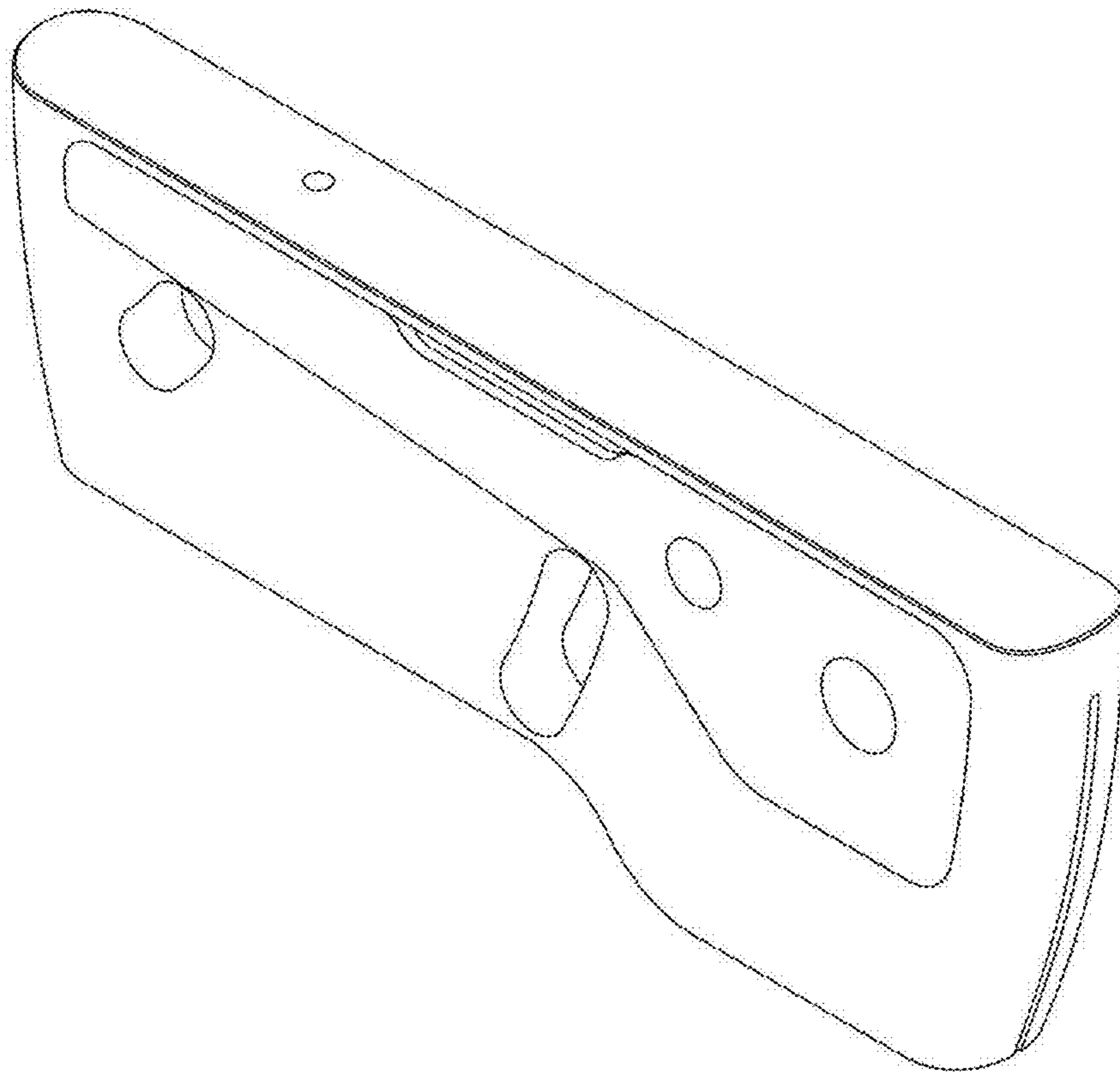


FIG. 1

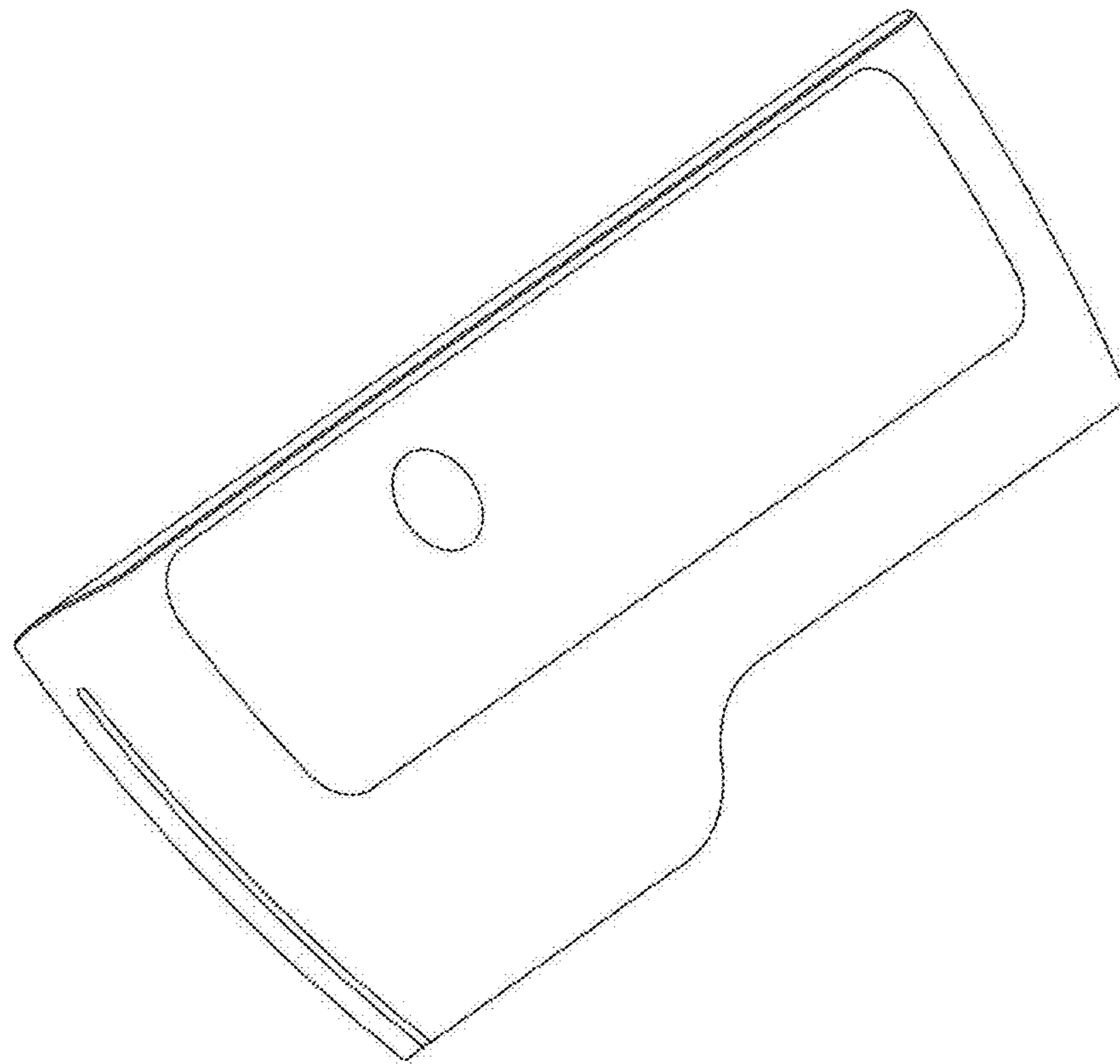


FIG. 2

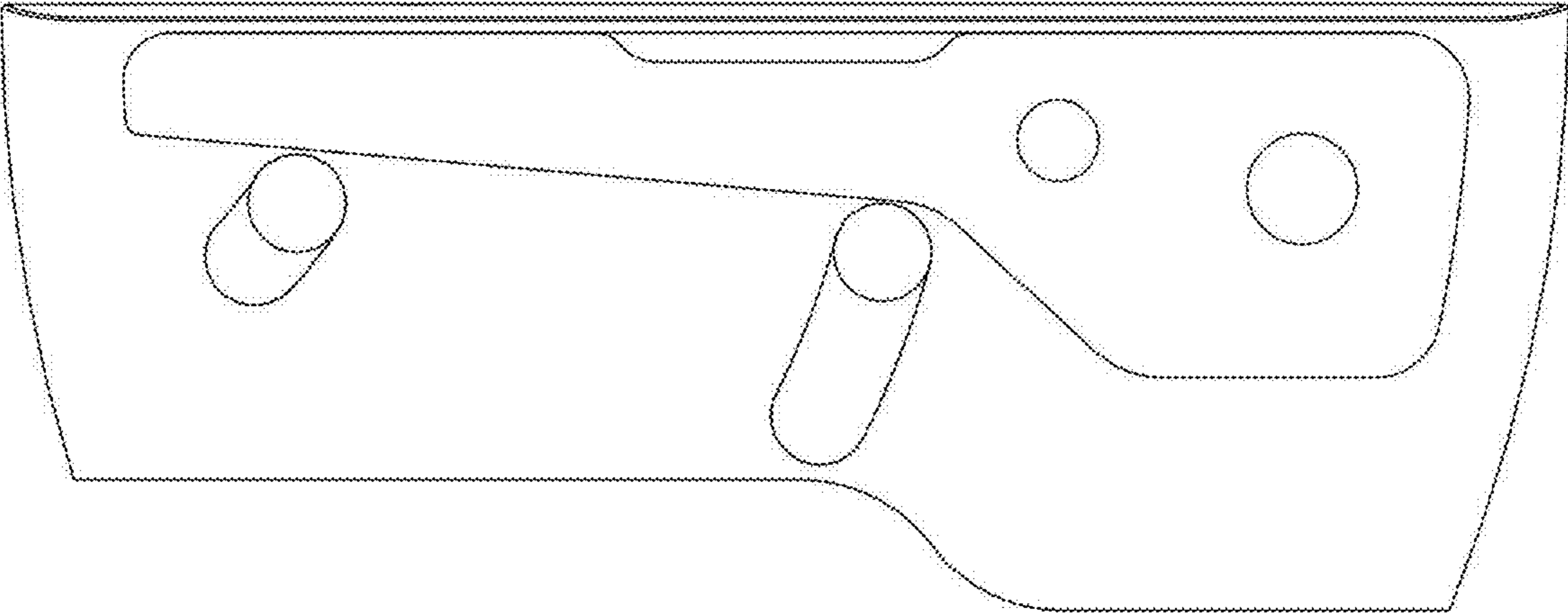


FIG. 3

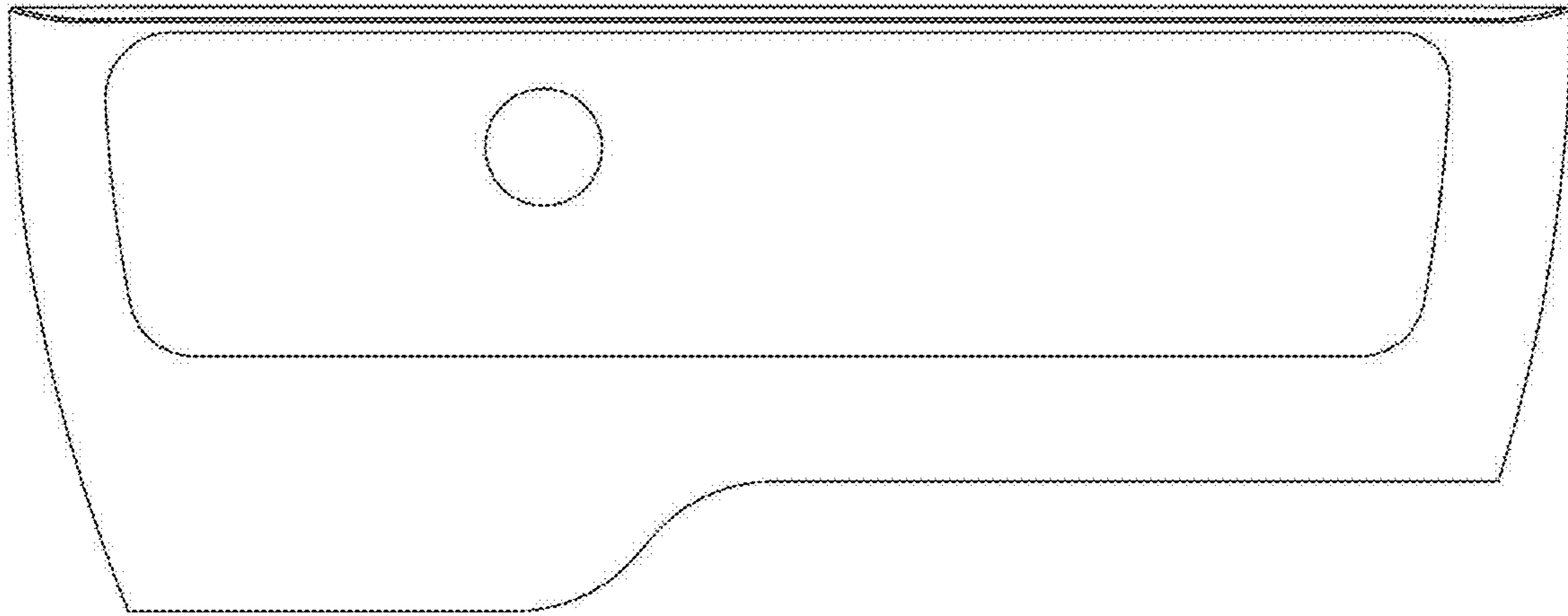


FIG. 4

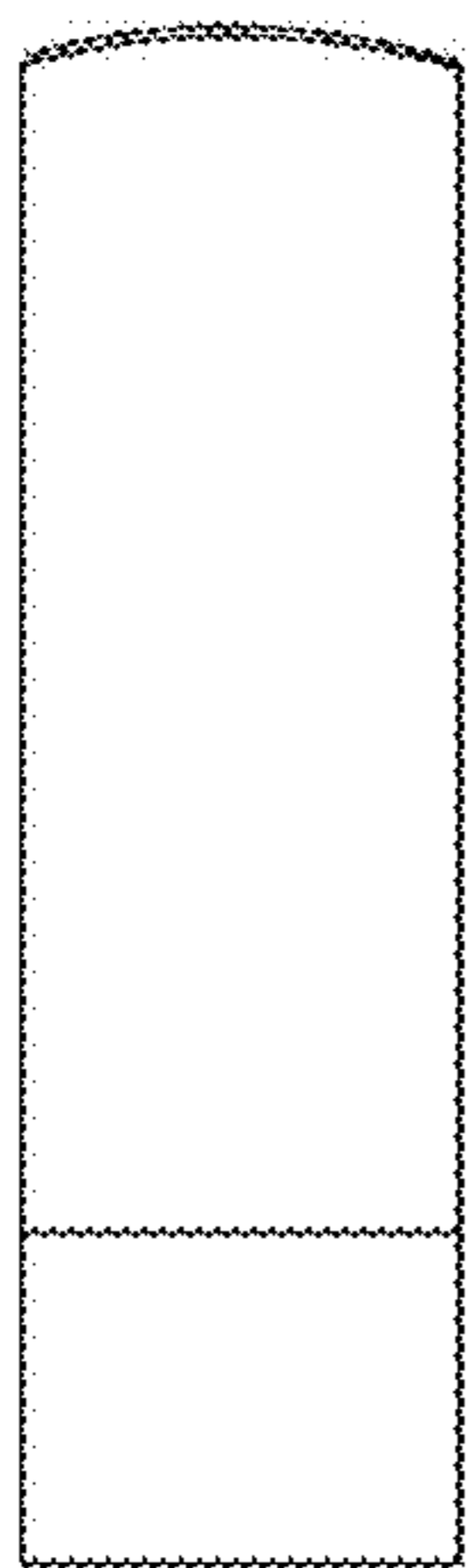


FIG. 5

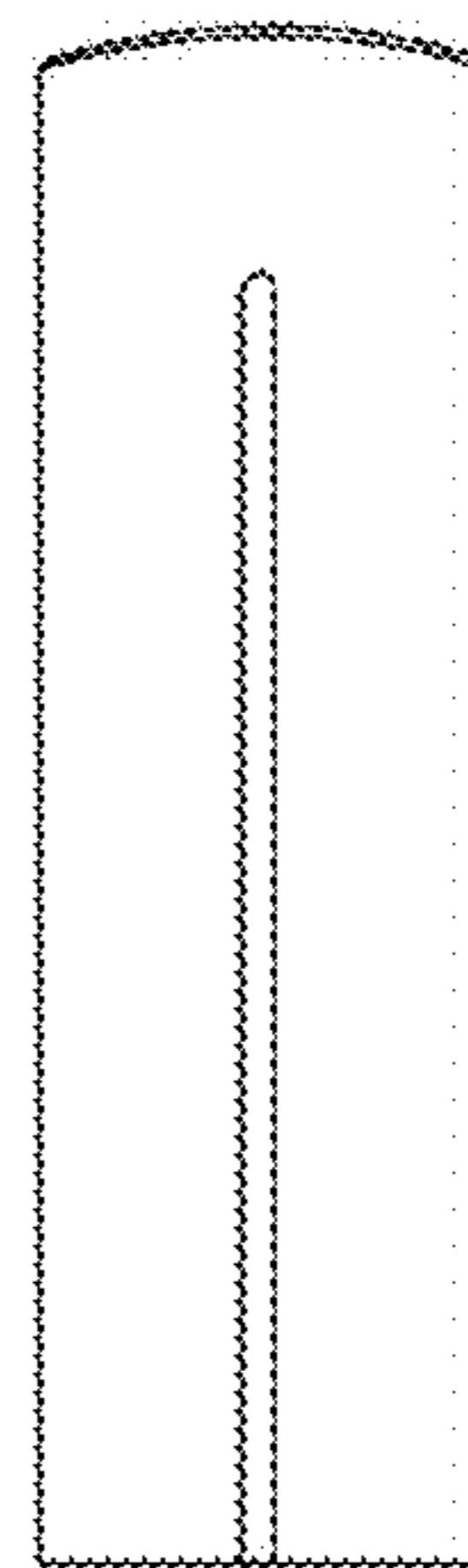


FIG. 6



FIG. 7



FIG. 8