



US00D962942S

(12) **United States Design Patent** (10) **Patent No.:** **US D962,942 S**
Peng (45) **Date of Patent:** **** Sep. 6, 2022**

(54) **SCANNER**

FOREIGN PATENT DOCUMENTS

(71) Applicant: **AVISION INC.**, Hsinchu (TW)

CN 305472479 * 12/2019
KR 30-0688217 S 4/2013

(72) Inventor: **Chao-Yu Peng**, Hsinchu (TW)

(73) Assignee: **AVISION INC.**, Hsinchu (TW)

(**) Term: **15 Years**

(21) Appl. No.: **29/687,607**

(22) Filed: **Apr. 15, 2019**

(30) **Foreign Application Priority Data**

Mar. 19, 2019 (TW) 108301566

(51) **LOC (13) Cl.** **14-02**

(52) **U.S. Cl.**
USPC **D14/421**

(58) **Field of Classification Search**
USPC D14/167, 172, 204, 300-301, 348,
D14/356-358, 363, 365, 367, 433-435,
D14/435.1, 436-437, 441, 443, 480.1,
D14/480.7, 484.1, 496, 420-426;
D13/103, 107-108, 110, 162-162.1,
D13/168-169, 171; D10/104.1, 106.1,
D10/106.9, 106.95; D18/11-12, 36,
D18/38-39
CPC .. H05K 5/0034; H05K 5/0039; H05K 5/0043;
H05K 5/0047; H04W 88/005; H04W
88/00

See application file for complete search history.

(56) **References Cited**

U.S. PATENT DOCUMENTS

4,904,100 A * 2/1990 Enix B41J 3/36
242/538.3
D494,213 S * 8/2004 Wong D18/44
D517,561 S * 3/2006 Hsu D14/441
D539,337 S * 3/2007 Kato D14/422
D681,107 S * 4/2013 Larson D18/50

(Continued)

OTHER PUBLICATIONS

Xerox X-Passport Scanner, Xerox, lakeshoreit.com, author and date
unlisted © 1995-2021, online, site visited Mar. 24, 2021. Available
at URL: [https://www.lakeshoreit.com/Products/overview/
M020292519](https://www.lakeshoreit.com/Products/overview/M020292519) (Year: 2021).*

(Continued)

Primary Examiner — Holly E Thurman

Assistant Examiner — Altaira J Swangin

(74) *Attorney, Agent, or Firm* — Winston Hsu

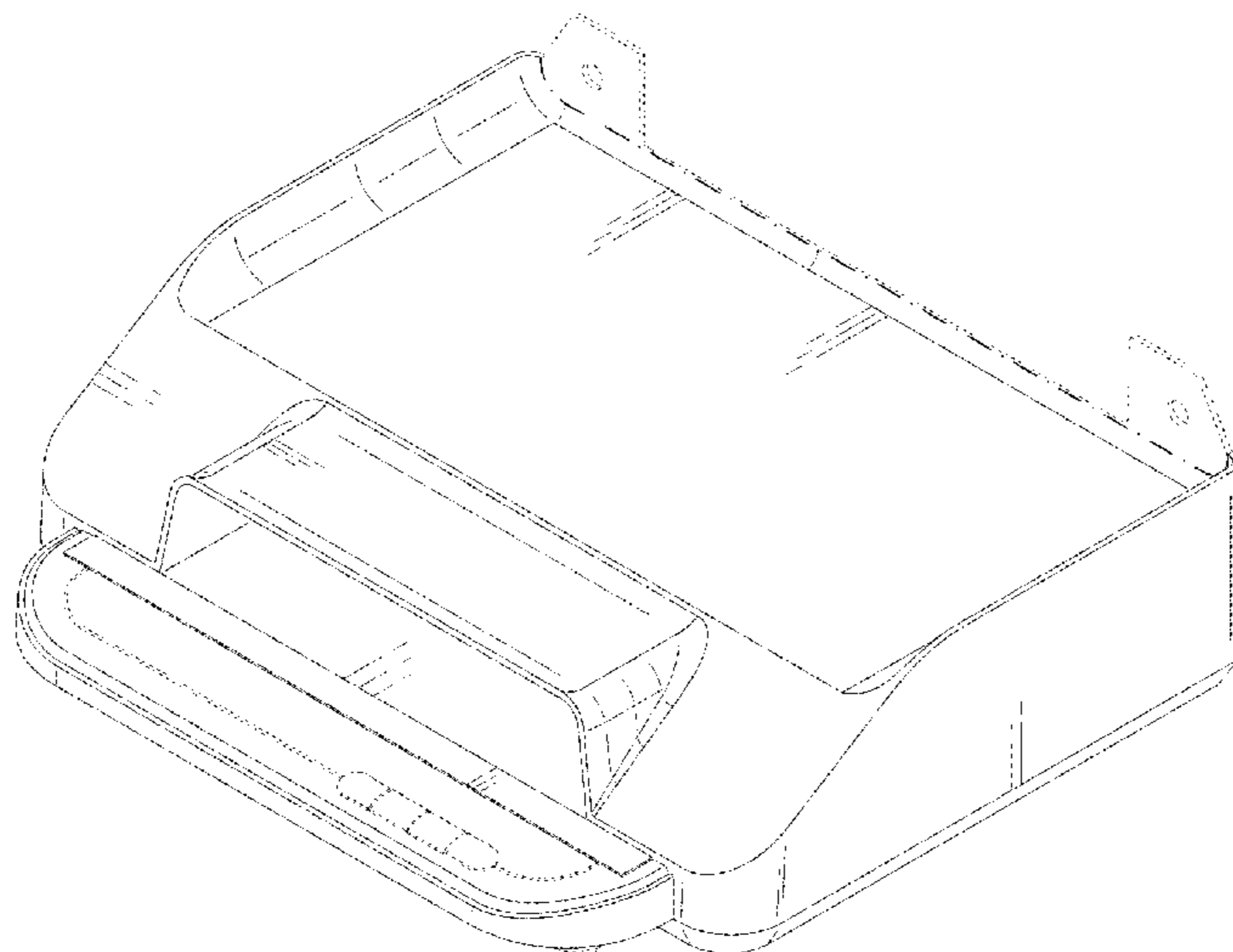
(57) **CLAIM**

The ornamental design for a scanner, as shown and
described.

DESCRIPTION

FIG. 1 is a top, front, and right side perspective view for a
scanner showing my new design;
FIG. 2 is a top, rear, and left side perspective view thereof;
FIG. 3 is a bottom, front, and left side perspective view
thereof;
FIG. 4 is a front elevation view thereof;
FIG. 5 is a rear elevation view thereof;
FIG. 6 is a left side elevation view thereof;
FIG. 7 is a right side elevation view thereof;
FIG. 8 is a top plan view thereof; and,
FIG. 9 is a bottom plan view thereof.
The even-dash broken lines depict portions of the scanner
that form no part of the claimed design. The dash-dot lines
represent boundaries of the claimed surfaces and form no
part thereof.

1 Claim, 9 Drawing Sheets



(56)

References Cited

U.S. PATENT DOCUMENTS

D685,411 S * 7/2013 Tanaka D18/49
D696,996 S * 1/2014 Kim D12/192
D699,725 S * 2/2014 Sato D14/421
D723,034 S * 2/2015 Chin D14/422
D776,119 S * 1/2017 Plante G06F 1/1632
D14/434
D789,371 S * 6/2017 Iwamoto D14/433
D795,343 S * 8/2017 Peng D18/49
D814,404 S * 4/2018 Barajas D13/107
D826,150 S * 8/2018 Cayon D13/103
D849,178 S * 5/2019 Ding D22/108
D868,886 S * 12/2019 Mita D18/56
D873,830 S * 1/2020 Cheng D14/434
D881,887 S * 4/2020 Peng D14/422
D884,605 S * 5/2020 Sun D13/107
D885,390 S * 5/2020 Sun D14/433
D895,621 S * 9/2020 Peng D14/422

D901,507 S * 11/2020 Klinkman D14/434
D937,200 S * 11/2021 Kawase D13/107
2016/0023460 A1* 1/2016 Lin B41J 2/14
347/44
2020/0329163 A1* 10/2020 Sheng H04N 1/00779

OTHER PUBLICATIONS

DocuMate 6400 Series Departmental Scanner, Xerox, xeroxscanners.com, author and date unlisted © 2020 Xerox Corporation, online, site visited Apr. 24, 2022. Available at URL: https://www.xeroxscanners.com/downloads/manuals/XPSA/XPSA_datashet.US.pdf (Year: 2022).
Passport Accessory for Xerox DocuMate 6400 Series Scanner, Xerox, shopabunda.com, author unlisted, published Sep. 27, 2020 per wayback machine © 2022 Abunda Technologies, online, site visited Apr. 24, 2022. Available at URL: <https://www.shopabunda.com/products/xerox-passport-scanner-accessory-for-xerox-documate-6400-series> (Year: 2020).*

* cited by examiner

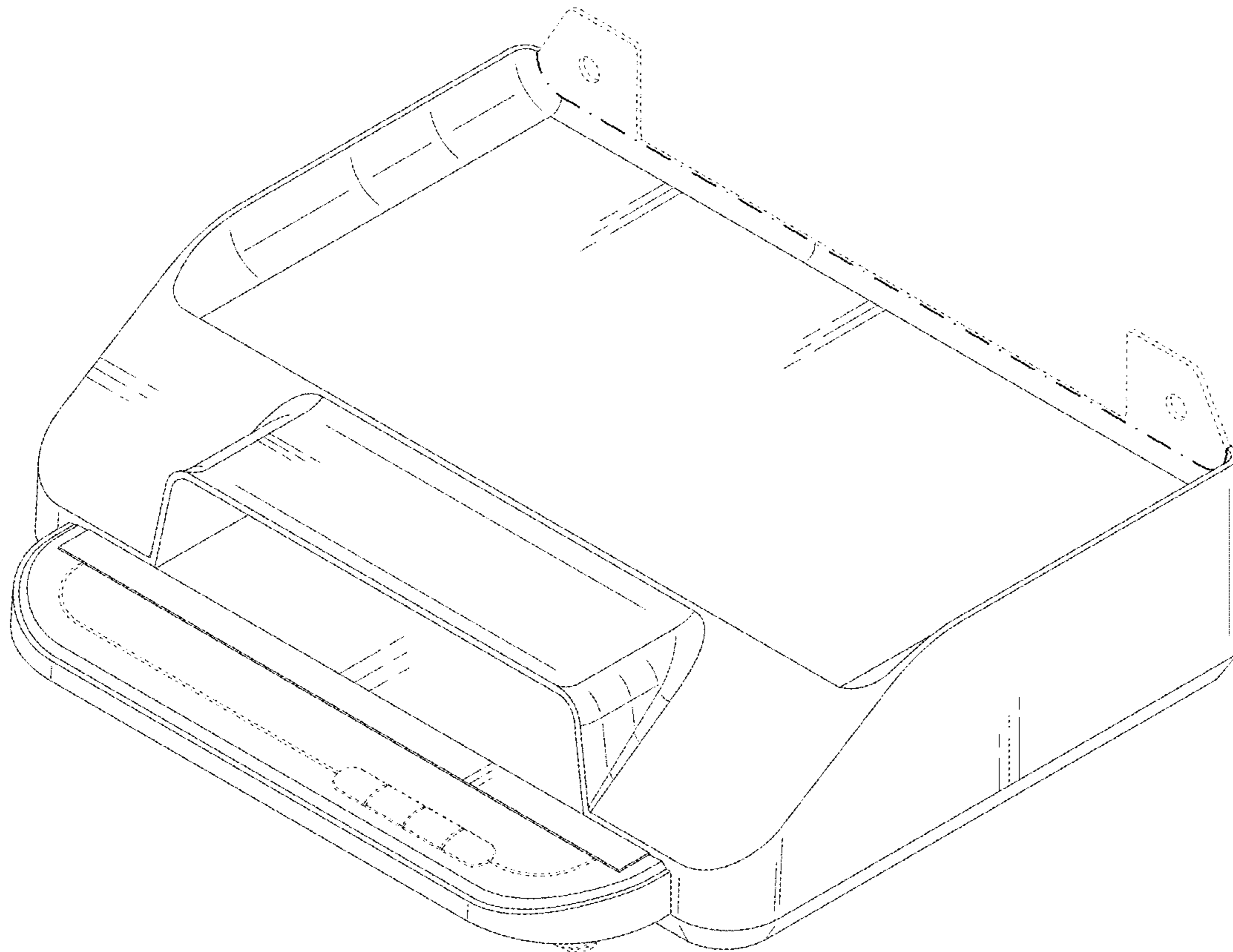


FIG. 1

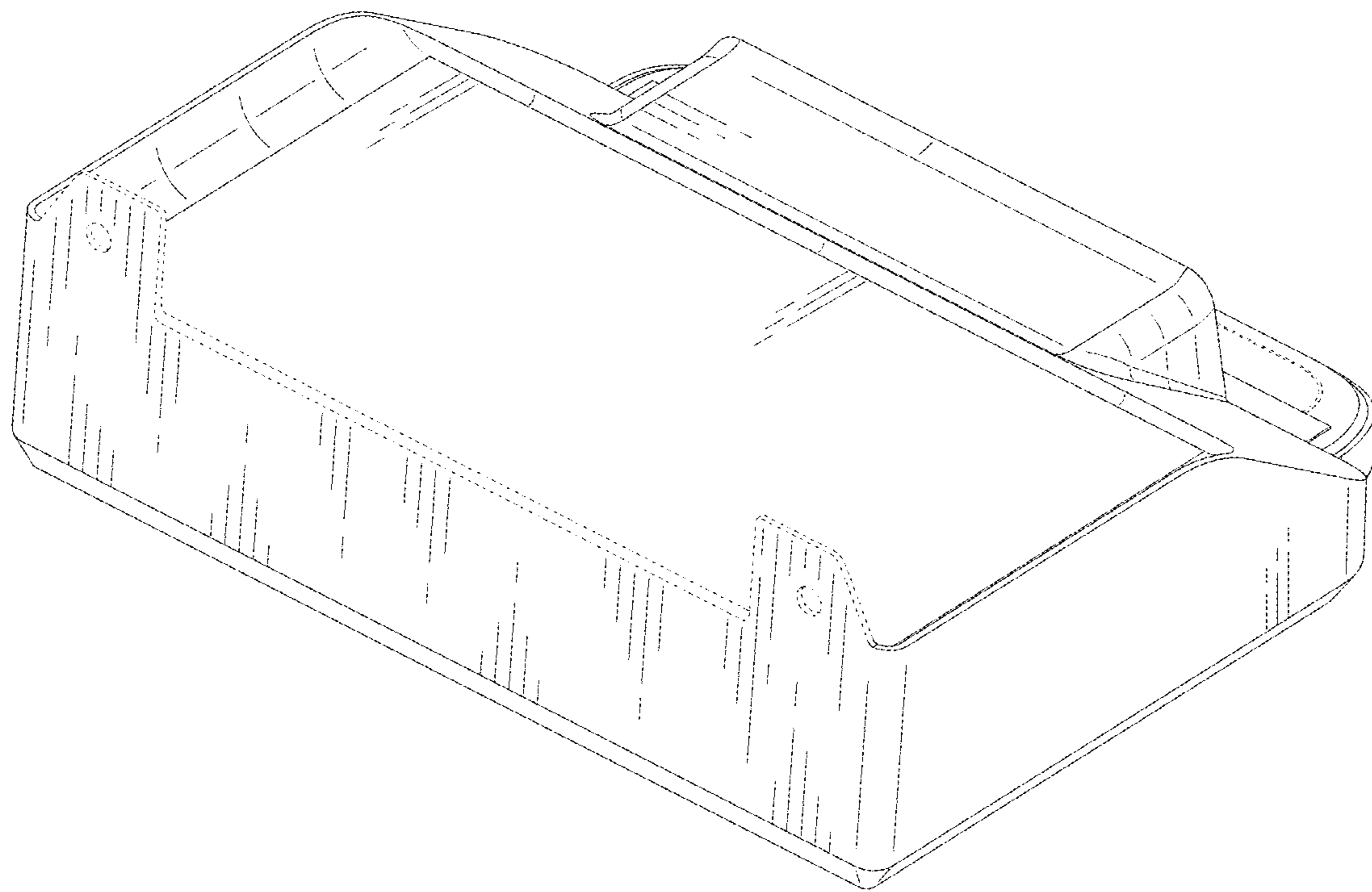


FIG. 2

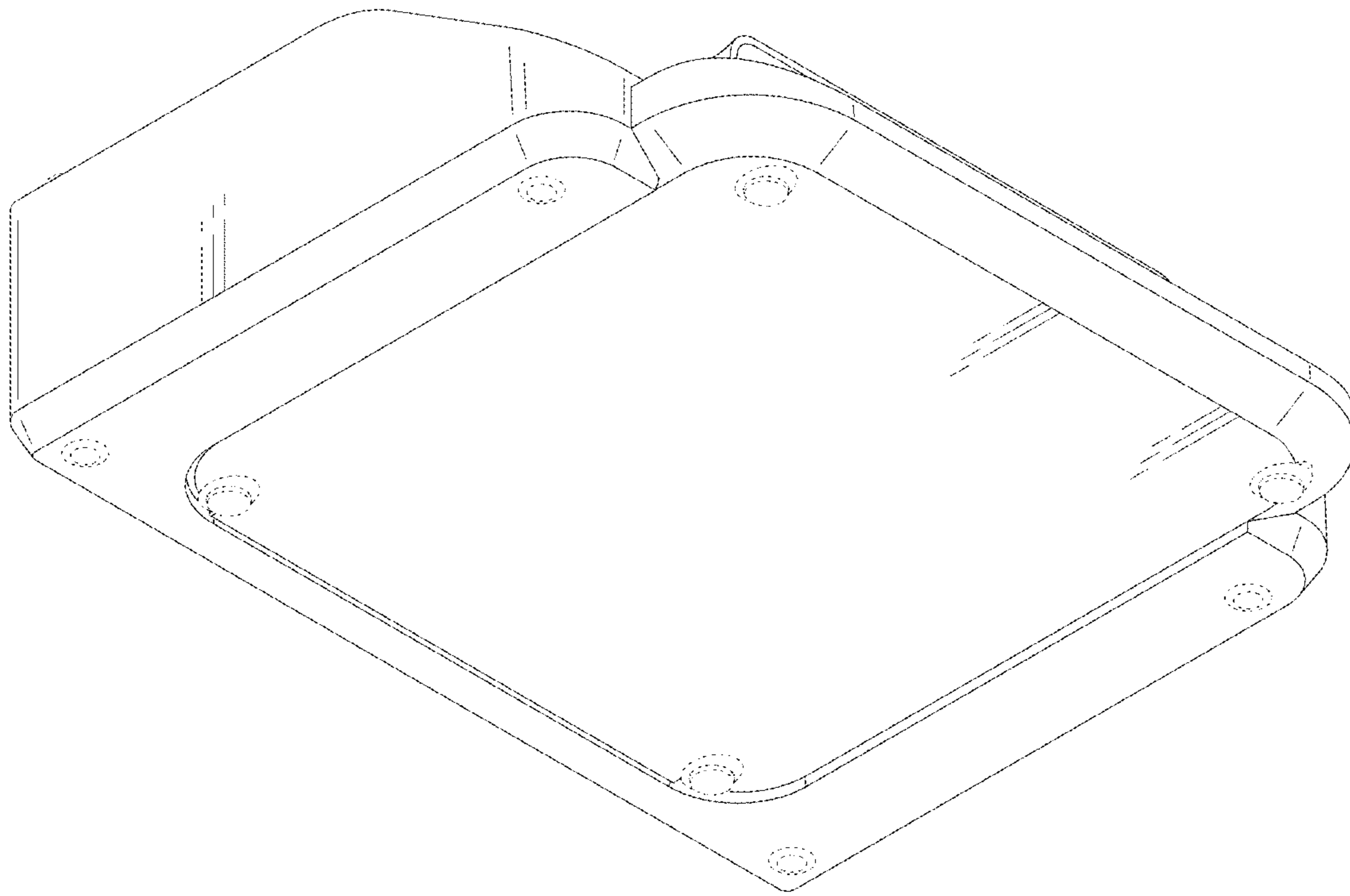


FIG. 3

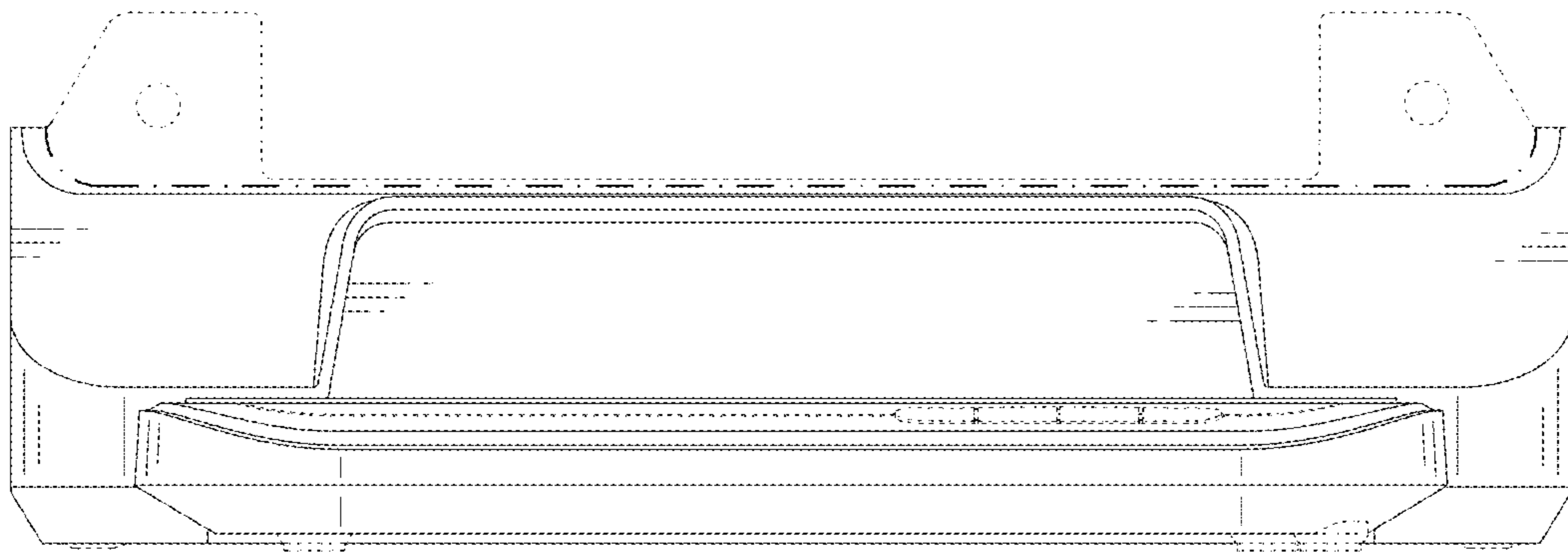


FIG. 4

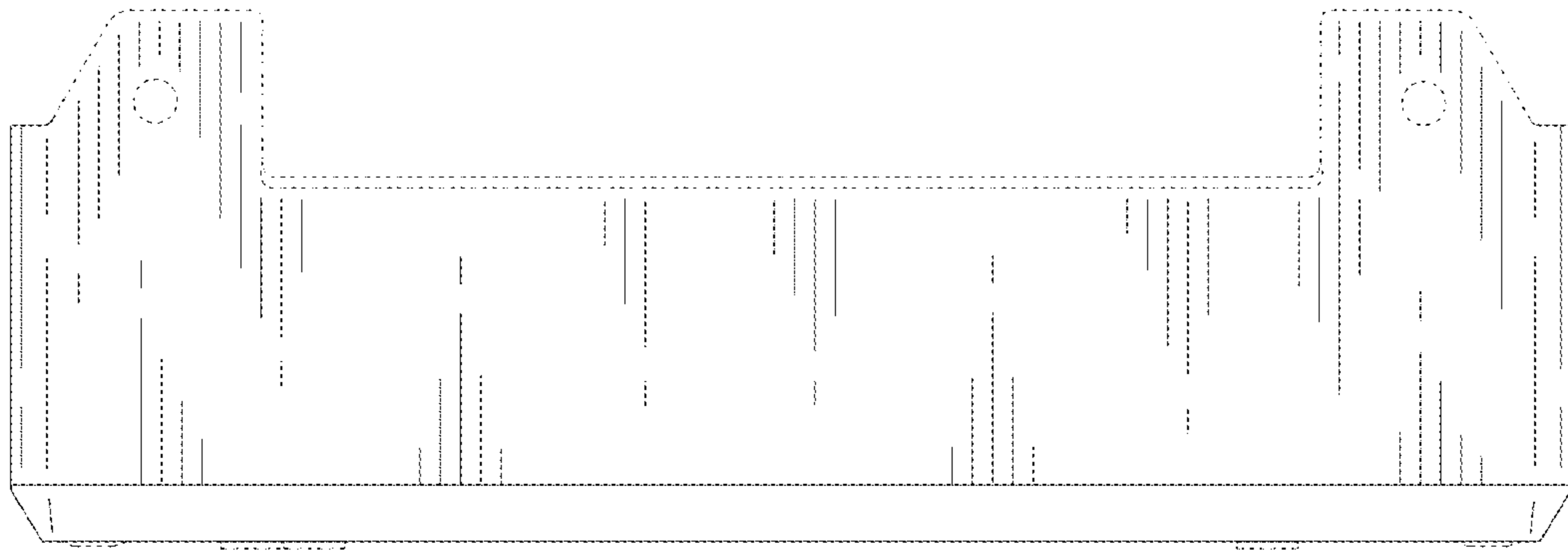


FIG. 5

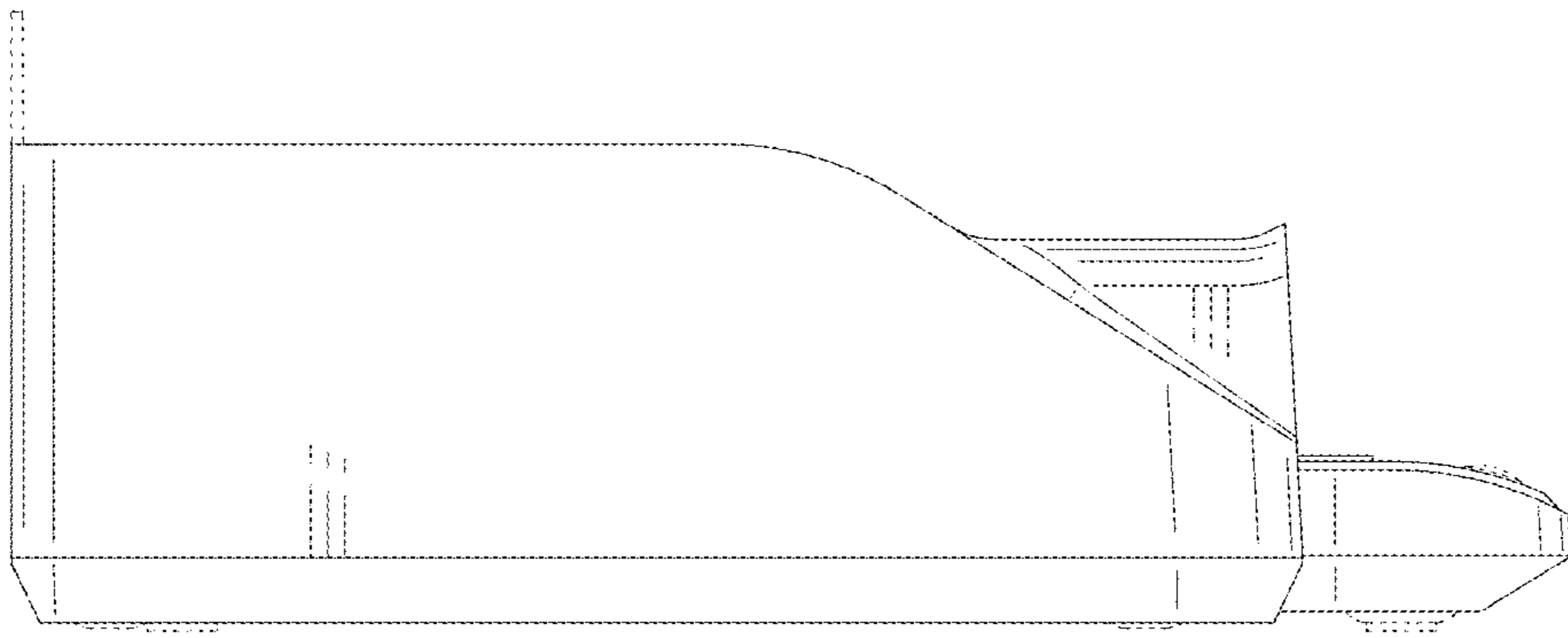


FIG. 6

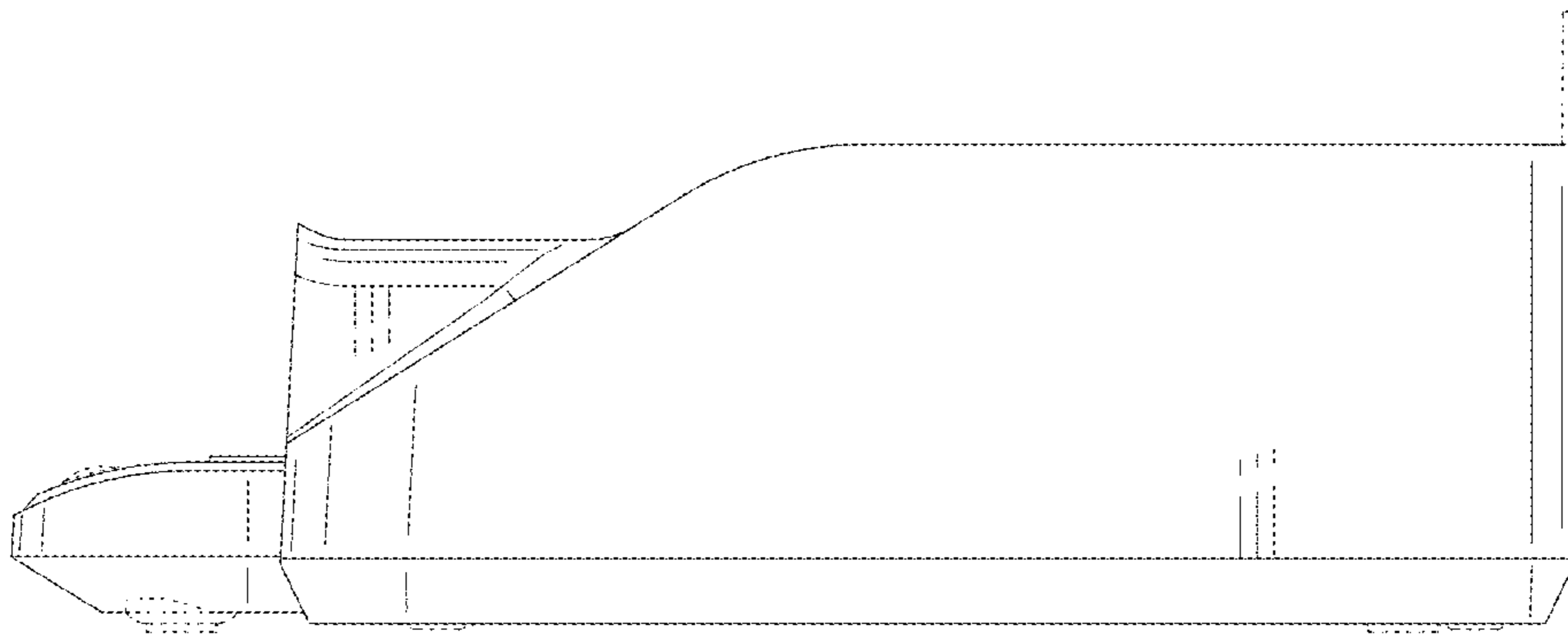


FIG. 7

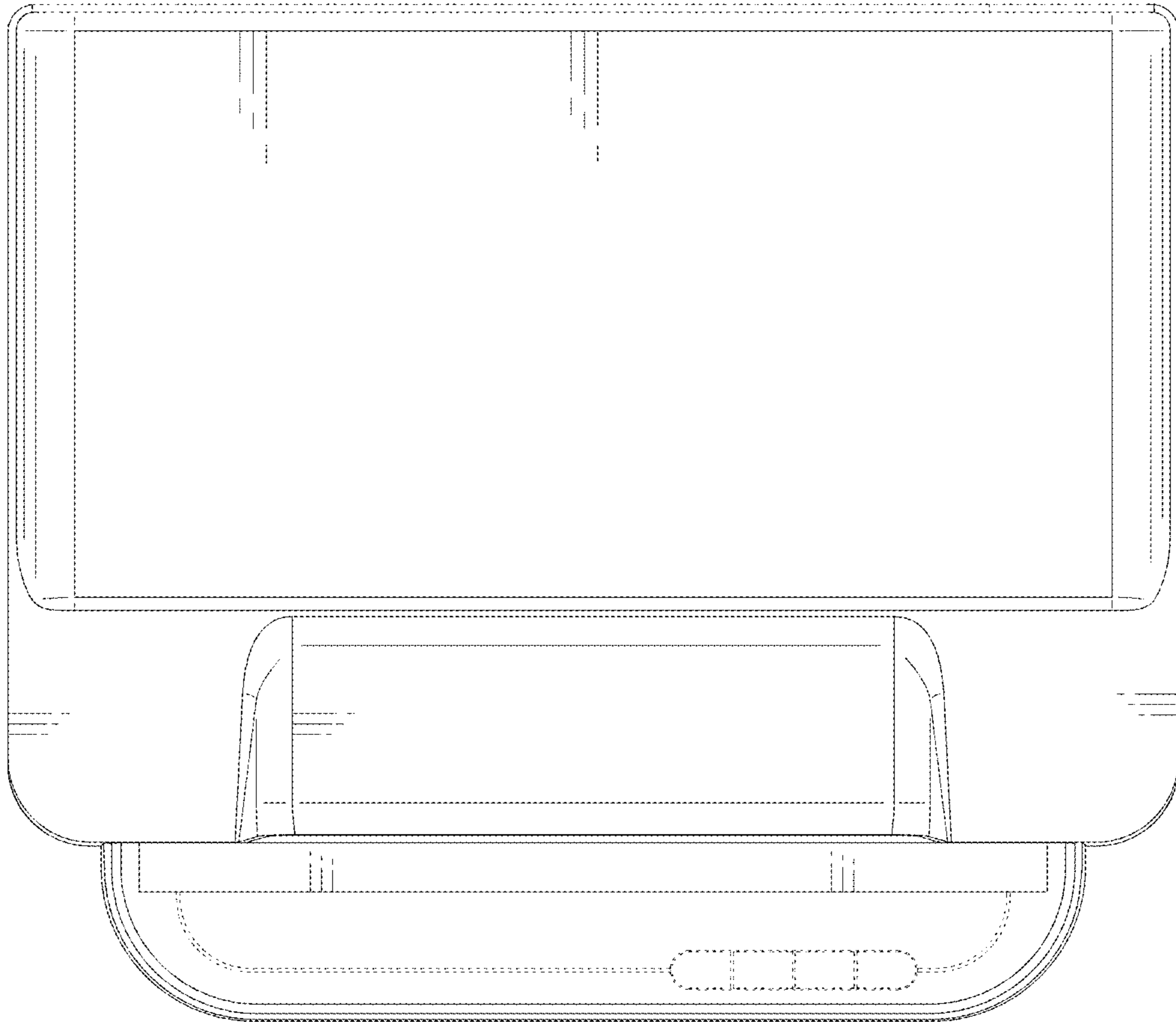


FIG. 8

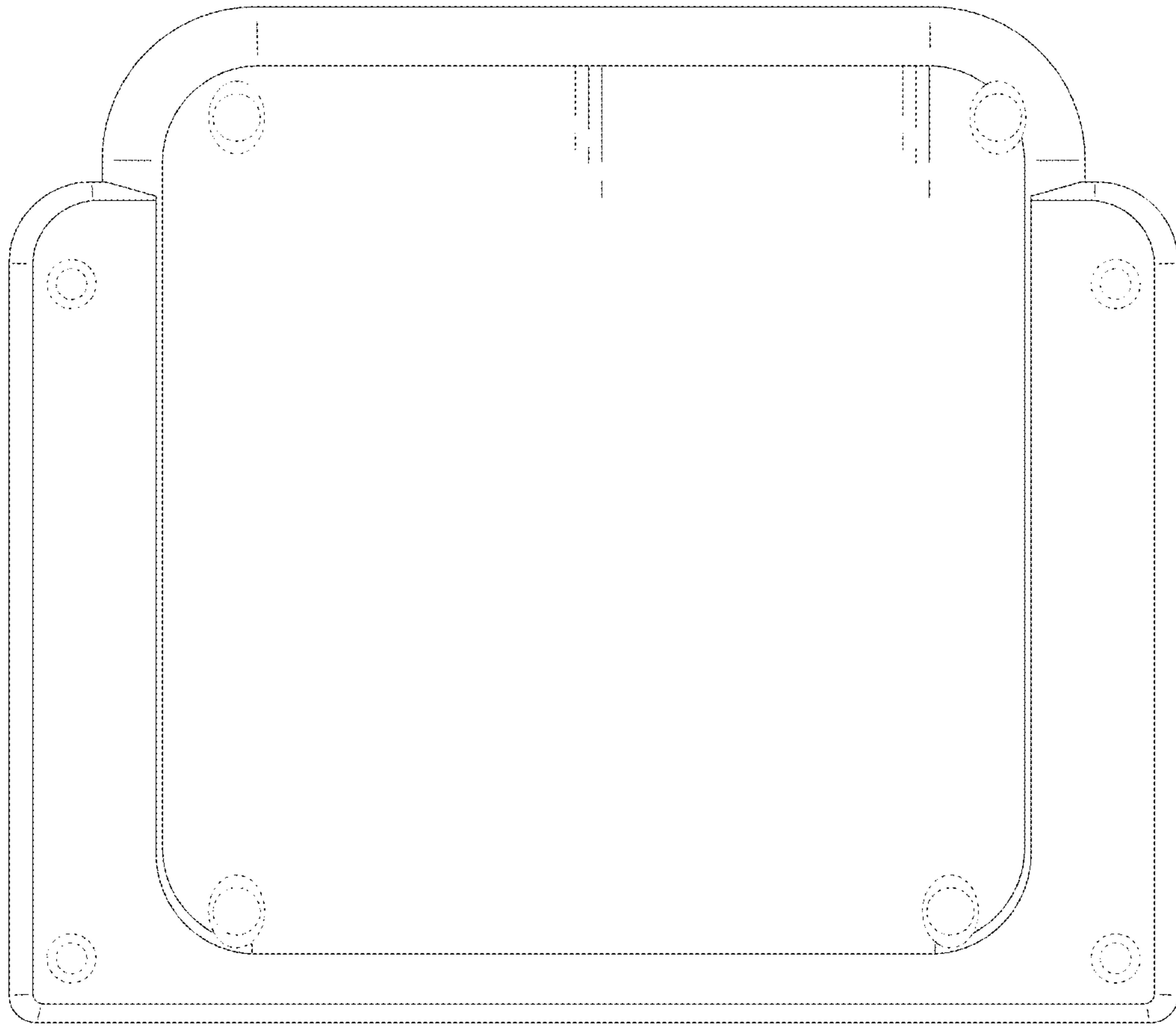


FIG. 9