



US00D962941S

(12) **United States Design Patent** (10) **Patent No.:** **US D962,941 S**  
**Kimura et al.** (45) **Date of Patent:** **\*\* Sep. 6, 2022**

(54) **RECORDING APPARATUS**

FOREIGN PATENT DOCUMENTS

(71) Applicant: **SEIKO EPSON CORPORATION**,  
Tokyo (JP)

CN 1325275 C 7/2007  
CN 201317161 Y 9/2009

(Continued)

(72) Inventors: **Naomi Kimura**, Okaya (JP); **Shoma Kudo**, Shiojiri (JP); **Hidenao Suzuki**,  
Matsumoto (JP); **Munehide Kanaya**,  
Azumino (JP)

OTHER PUBLICATIONS

Office Action dated Jun. 30, 2014 in U.S. Appl. No. 14/049,086.

(Continued)

(73) Assignee: **SEIKO EPSON CORPORATION**,  
Tokyo (JP)

*Primary Examiner* — Susan Moon Lee

(\*\*) Term: **15 Years**

(21) Appl. No.: **29/670,481**

(57) **CLAIM**

(22) Filed: **Nov. 16, 2018**

The ornamental design for a recording apparatus, as shown and described.

**Related U.S. Application Data**

**DESCRIPTION**

(63) Continuation of application No. 29/537,554, filed on Aug. 27, 2015, now Pat. No. Des. 836,113, which is (Continued)

(51) **LOC (13) Cl.** ..... **14-02**

(52) **U.S. Cl.**  
USPC ..... **D14/421**; D18/50; D18/53; D18/56

(58) **Field of Classification Search**  
USPC ..... D14/421–425, 420, 462–471, 483, 484; D18/55, 49, 46, 40–43, 36–39, 44, 45, 47, D18/48, 50–54, 56, 99; 235/462, 455, 235/470, 462.43, 482, 483; 358/474, 486, 358/488, 496, 497, 498, 452, 449, 451, 358/453, 1.13; 318/685, 696; 355/81, 355/75; 399/405, 367, 379, 380; 382/217; 715/209, 222, 226, 274;

FIG. 1 is a front, top and right side perspective view of a recording apparatus showing our new design;  
FIG. 2 is a partial enlarged view of FIG. 1;  
FIG. 3 is a partial enlarged view of FIG. 1 with details behind the transparent viewing window without surface shading for ease of illustration;  
FIG. 4 is a perspective view of an ink tank attachment member, separately shown for clarity of illustration; and,  
FIG. 5 is a perspective view with a front cover in an open position.

(Continued)

The features shown in broken lines in the drawings depict environmental subject matter only and form no part of the claimed design. The viewing window is transparent and depicted in solid lines. Markers on the front surfaces of ink tanks are visible through the transparent viewing window and depicted in solid lines.

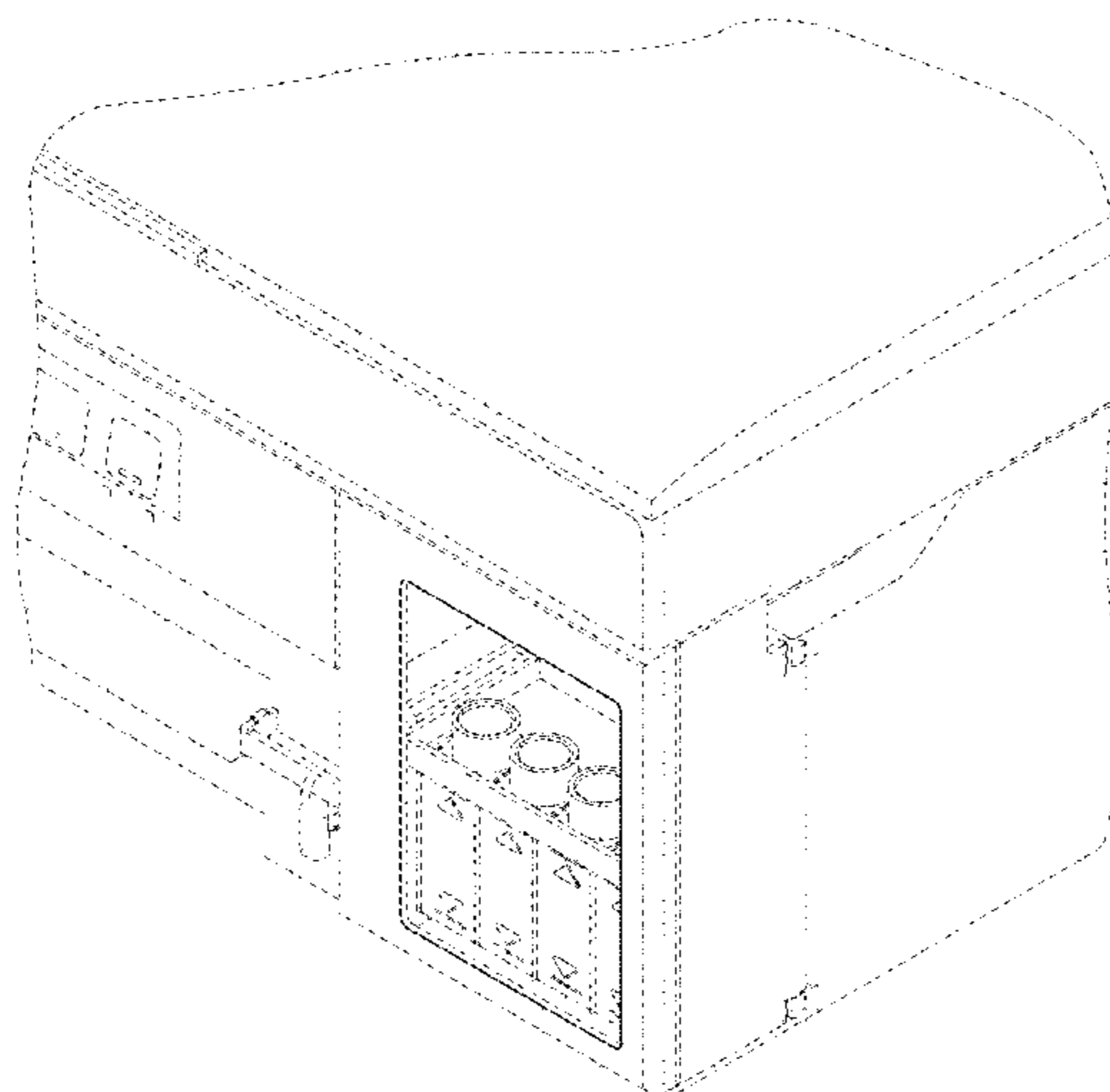
(56) **References Cited**

U.S. PATENT DOCUMENTS

5,909,226 A 6/1999 Takeda  
6,142,617 A \* 11/2000 Barinaga ..... B41J 2/17506  
347/85

(Continued)

**1 Claim, 5 Drawing Sheets**



**Related U.S. Application Data**

a continuation of application No. 14/593,881, filed on Jan. 9, 2015, now Pat. No. 9,511,591, which is a continuation of application No. 14/049,086, filed on Oct. 8, 2013, now Pat. No. 9,421,781.

(52) **U.S. Cl.**

CPC ..... *B41J 2/17506* (2013.01); *B41J 2/1752*(2013.01); *B41J 2/17509* (2013.01); *B41J 2/17553* (2013.01); *B41J 2/20* (2013.01); *B41J25/001* (2013.01)

(58) **Field of Classification Search**

USPC ..... 400/613, 613.1–613.4, 690.1–690.4, 400/691–694; 347/1–9, 20, 29, 37, 40, 347/49, 50, 85–87, 104–108, 145, 224, 347/245, 263, 264, 900  
 CPC ..... H04N 1/00; H04N 1/12; H04N 1/00013; H04N 1/00015; H04N 1/00018; H04N 1/00026; H04N 1/00557; H04N 1/00564; H04N 1/00567; H04N 1/0057; H04N 1/00572; H04N 1/00586; H04N 1/00588; H04N 1/00591; H04N 1/00594; H04N 1/00596; H04N 1/00604; H04N 1/00519; H04N 1/00559; H04N 1/101; H04N 1/10; H04N 1/00551; H04N 1/00278; H04N 2201/0456; H04N 2201/0446; H04N 2201/00; H04N 2201/0094; G03G 15/0142; G03G 15/605; G03G 15/602; B65H 5/26; B65H 5/30; B65H 5/36; B65H 7/00; B65H 2402/515; B65H 2402/31; B65H 2511/20; B65H 2511/414; B65H 2513/42; B65H 2801/31; B65H 2215/00189; B65H 2215/00194; B65H 2215/00198; B65H 2215/00202; B65H 2215/00206; B65H 2215/20; B65H 2301/00; B65H 2220/04; B65H 3/05261; B41J 2/17; B41J 2/1721; B41J 2/175; B41J 2/17513; B41J 2/17596; B41J 2/17506; B41J 2/17546; B41J 2/1752; B41J 2/1753; B41J 2/1572; B41J 2/1754; B41J 2/17503; B41J 2/17553; B41J 2/17556; B41J 2/16547; B41J 2/20; B41J 2/17509; B41J 2/01; B41J 29/02; B41J 29/13; B41J 25/304

See application file for complete search history.

(56)

**References Cited**

U.S. PATENT DOCUMENTS

6,179,415 B1 1/2001 Okazaki et al.  
 6,328,415 B1\* 12/2001 Norton ..... B41J 25/34  
 347/37  
 6,804,858 B2 10/2004 Yazawa et al.  
 7,552,998 B2\* 6/2009 Yonekawa ..... B41J 2/17509  
 347/49  
 7,712,891 B2 5/2010 Ishida et al.  
 7,826,106 B2 11/2010 Reusing  
 7,826,109 B2 11/2010 Ikeno et al.  
 7,837,308 B2\* 11/2010 Yano ..... B41J 2/17509  
 347/108  
 8,057,022 B2 11/2011 Umeda  
 8,485,653 B2\* 7/2013 Katsuyama ..... B41J 2/17553  
 347/85  
 8,596,735 B2 12/2013 Koganehira et al.  
 D751,613 S\* 3/2016 Ishizawa ..... D15/122  
 9,421,781 B2\* 8/2016 Kimura ..... B41J 2/17553  
 9,463,633 B2\* 10/2016 Osakabe ..... B41J 2/1754

9,475,298 B2\* 10/2016 Osakabe ..... B41J 2/17536  
 D771,184 S\* 11/2016 Yamashita ..... D18/56  
 9,682,568 B2\* 6/2017 Osakabe ..... B41J 2/16505  
 D802,050 S\* 11/2017 Kawai ..... D18/56  
 9,844,947 B2\* 12/2017 Osakabe ..... B41J 2/1754  
 9,994,034 B2\* 6/2018 Osakabe ..... B41J 2/1754  
 D836,113 S\* 12/2018 Kimura ..... B41J 2/17553  
 D18/50  
 10,239,324 B2\* 3/2019 Osakabe ..... B41J 29/02  
 10,286,674 B2\* 5/2019 Osakabe ..... B41J 29/13  
 D866,490 S\* 11/2019 Bard ..... D13/168  
 10,583,663 B2\* 3/2020 Osakabe ..... B41J 2/17553  
 10,675,880 B2\* 6/2020 Igarashi ..... B41J 2/17553  
 10,766,266 B2\* 9/2020 Osakabe ..... B41J 2/1754  
 10,919,306 B2\* 2/2021 Igarashi ..... B41J 2/175  
 D912,135 S\* 3/2021 Odachi ..... D18/56  
 11,084,295 B2\* 8/2021 Osakabe ..... B41J 2/1752  
 D932,543 S\* 10/2021 Yamamoto ..... D18/53  
 D933,743 S\* 10/2021 Odachi ..... D18/50  
 11,192,380 B2\* 12/2021 Ishizawa ..... B41J 2/1755  
 D942,536 S\* 2/2022 Odachi ..... D18/53  
 11,298,948 B2\* 4/2022 Osakabe ..... B41J 2/17509  
 2005/0151782 A1 7/2005 Ishida et al.  
 2006/0082622 A1 4/2006 Yonekawa et al.  
 2007/0229623 A1\* 10/2007 Kawamura ..... B41J 2/1752  
 347/86  
 2008/0030530 A1 2/2008 Ishida et al.  
 2008/0297571 A1 12/2008 Umeda  
 2010/0026753 A1 2/2010 Kuroda et al.  
 2012/0038719 A1 2/2012 Shimizu et al.  
 2012/0056949 A1 3/2012 Ishizawa et al.  
 2012/0125481 A1 5/2012 Matsumoto et al.  
 2014/0104349 A1 4/2014 Kimura et al.  
 2014/0146113 A1 5/2014 Shimizu et al.  
 2014/0313266 A1 10/2014 Ishizawa et al.  
 2015/0085030 A1 3/2015 Shimizu et al.  
 2015/0124028 A1\* 5/2015 Kimura ..... B41J 2/17553  
 347/86  
 2015/0283816 A1\* 10/2015 Kimura ..... B41J 2/1752  
 347/86  
 2015/0343789 A1 12/2015 Shimizu et al.  
 2015/0352853 A1\* 12/2015 Kudo ..... B41J 29/13  
 347/86  
 2016/0009096 A1\* 1/2016 Suzuki ..... B41J 2/175  
 347/86  
 2016/0009098 A1\* 1/2016 Kimura ..... B41J 29/13  
 347/86  
 2016/0016408 A1 1/2016 Matsumoto et al.  
 2016/0089893 A1\* 3/2016 Osakabe ..... B41J 2/16505  
 347/85  
 2016/0200111 A1\* 7/2016 Kimura ..... B41J 25/001  
 347/37  
 2017/0326882 A1\* 11/2017 Okude ..... B41J 2/17506

FOREIGN PATENT DOCUMENTS

CN 101318414 B 12/2010  
 CN 202278834 U 6/2012  
 CN 104015492 A 9/2014  
 CN 104582975 A 4/2015  
 CN 204296205 U 4/2015  
 JP 59-64362 A 4/1984  
 JP 09-86014 A 3/1997  
 JP 11-010910 A 1/1999  
 JP 2000-052572 A 2/2000  
 JP 2005-186590 A 7/2005  
 JP 2006-035662 A 2/2006  
 JP 2007-106019 A 4/2007  
 JP 2008-296508 A 12/2008  
 JP 2010-030186 A 2/2010  
 JP 2010-260260 A 11/2010  
 JP 2012-51307 A 3/2012  
 JP 2012-51328 A 3/2012  
 JP 2012-066563 A 4/2012  
 JP 2012-71581 A 4/2012  
 JP 4941110 B2 5/2012  
 JP 2012-106363 A 6/2012  
 JP 2014-79908 A 5/2014

(56)

**References Cited**

FOREIGN PATENT DOCUMENTS

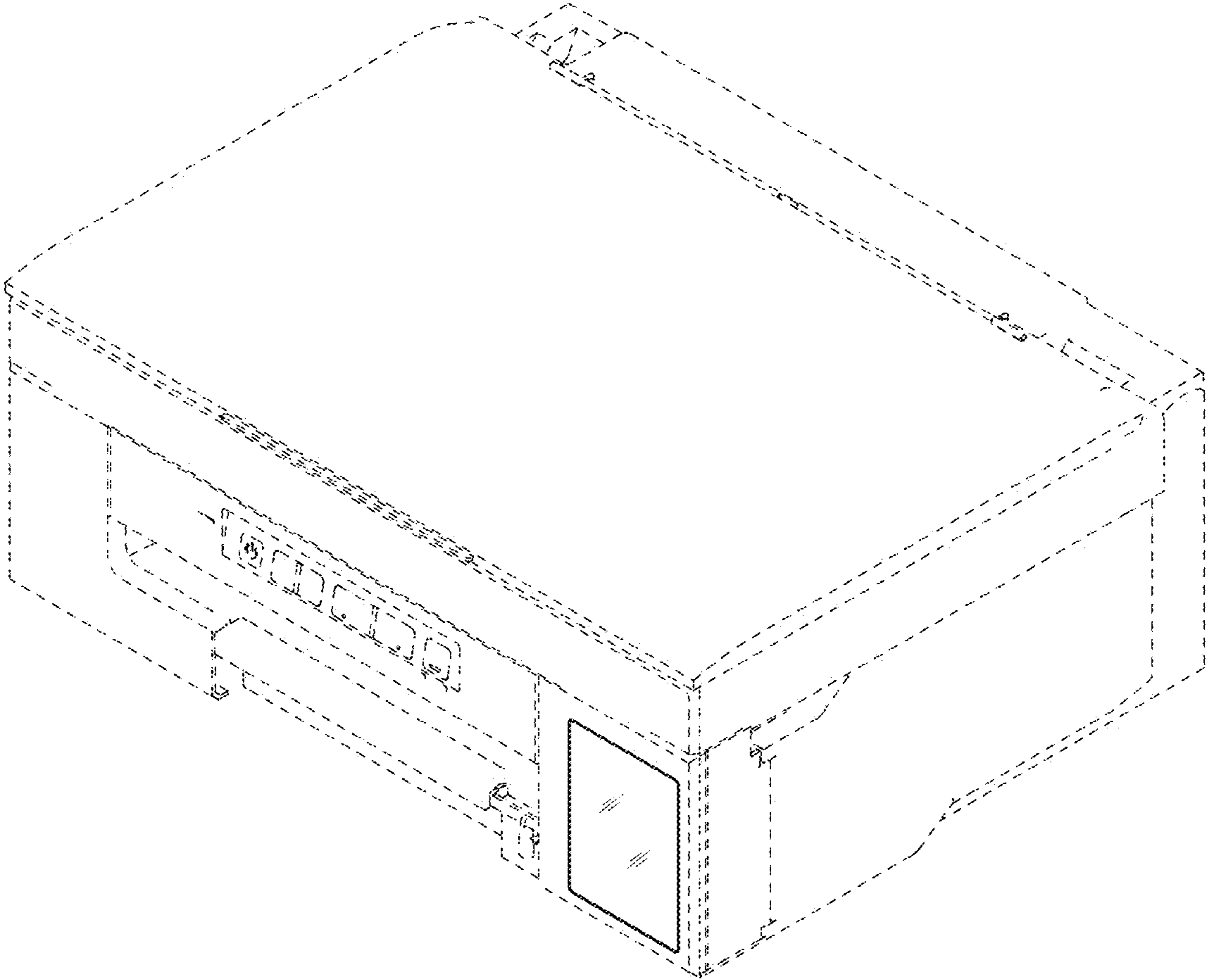
JP	2014-79909	A	5/2014
TW	201434670	A	9/2014
TW	201441062	A	11/2014
TW	201446543	A	12/2014
WO	2014132634	A1	9/2014
WO	2014132635	A1	9/2014
WO	2014132640	A1	9/2014

OTHER PUBLICATIONS

Office Action dated Oct. 10, 2014 in U.S. Appl. No. 14/049,086.  
Signs & Displays vol. 6, p. 8, published on Jun. 10, 2012, (JPO  
Publicly Known Design No. HA24004575).

\* cited by examiner

**FIG. 1**



**FIG. 2**

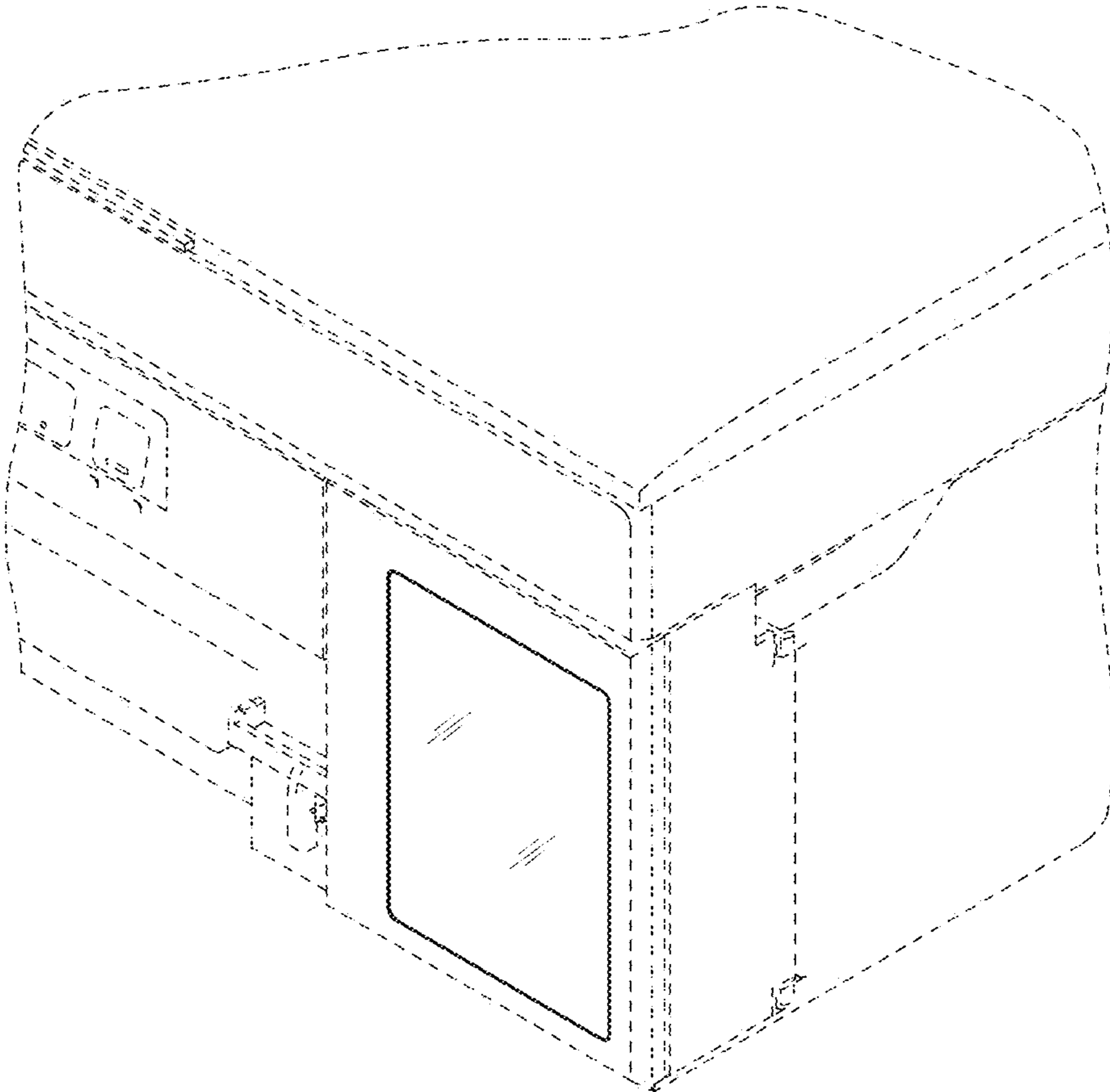
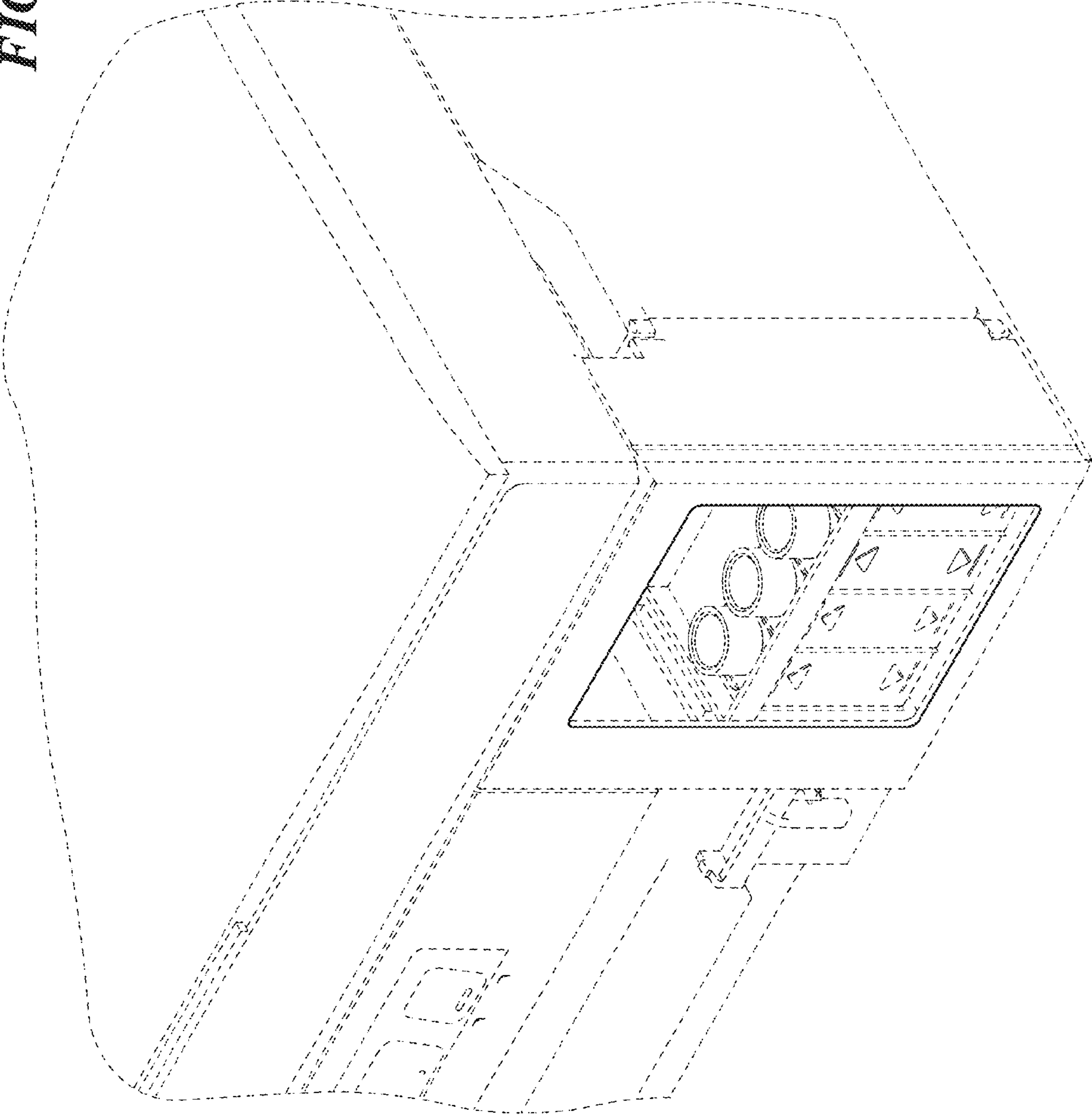
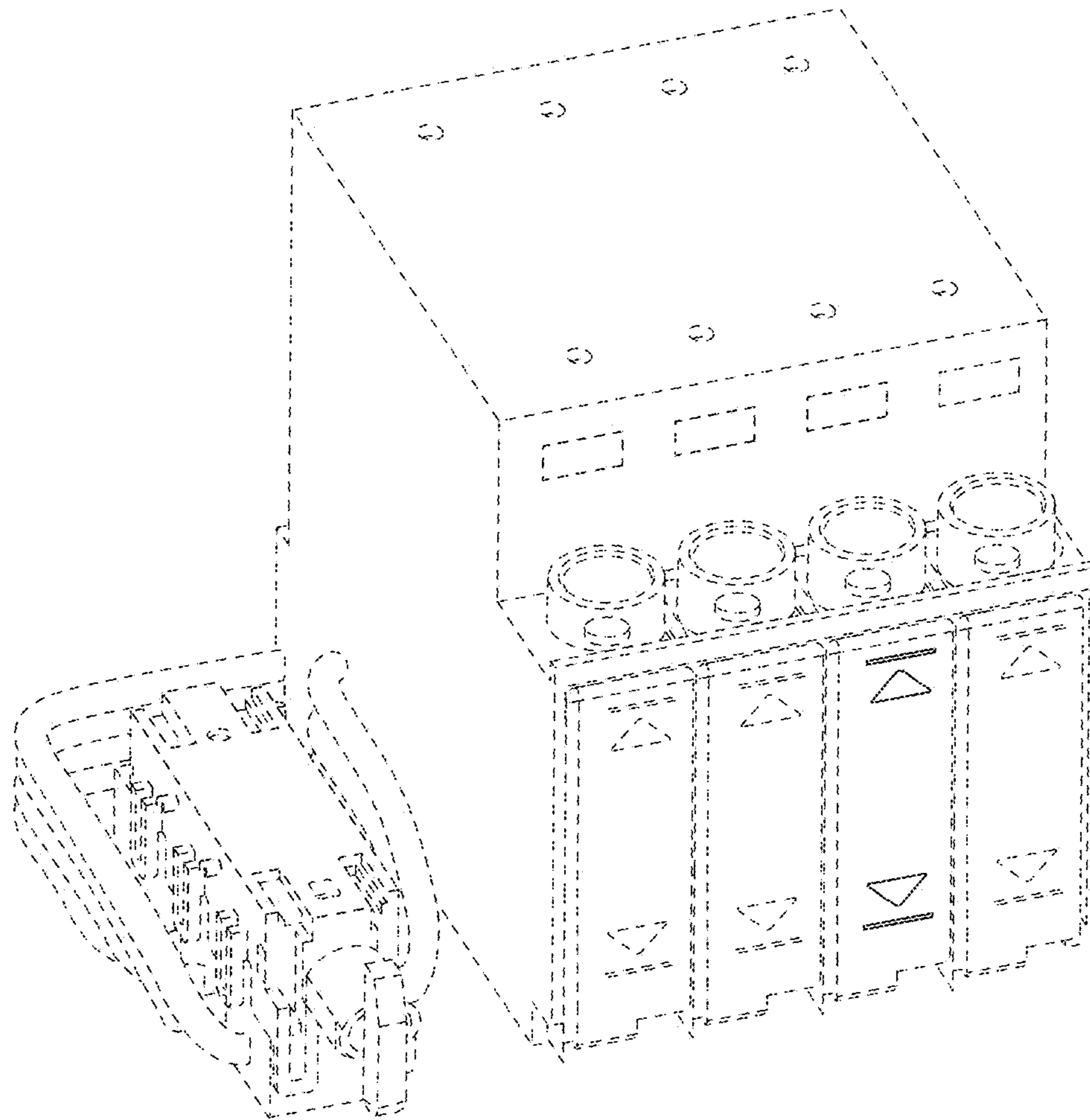


FIG. 3



**FIG. 4**



**FIG. 5**

