

US00D962940S

(12) **United States Design Patent**
Hasebe et al.

(10) **Patent No.:** **US D962,940 S**

(45) **Date of Patent:** **** Sep. 6, 2022**

(54) **HEAD-MOUNTED DISPLAY**

(71) Applicant: **SHIMADZU CORPORATION**, Kyoto (JP)

(72) Inventors: **Shinya Hasebe**, Kyoto (JP); **Takeshi Fujii**, Kyoto (JP); **Yoshiki Arita**, Kyoto (JP)

(73) Assignee: **SHIMADZU CORPORATION**, Kyoto (JP)

(**) Term: **15 Years**

(21) Appl. No.: **29/765,966**

(22) Filed: **Jan. 13, 2021**

(30) **Foreign Application Priority Data**

Jul. 31, 2020 (JP) 2020-016044

(51) **LOC (13) Cl.** **14-02**

(52) **U.S. Cl.**
USPC **D14/372**

(58) **Field of Classification Search**
USPC D14/372, 496, 432, 371, 125, 126, 129, D14/299; D16/300-342; 351/158, 153, 351/144; 345/7-9, 905; 455/344; 348/115, 53, 121, 739
CPC G02B 27/017; G02B 27/0158; G02B 27/0161; G02B 27/0181; G02B 27/0185; G02B 27/0189

See application file for complete search history.

(56) **References Cited**

U.S. PATENT DOCUMENTS

D761,795 S * 7/2016 Heinrich D14/372
D793,468 S * 8/2017 Yu D16/309
D795,865 S * 8/2017 Porter D14/372
D795,866 S * 8/2017 Porter D14/372
D859,402 S * 9/2019 Eroma D14/372

D859,407 S * 9/2019 Natsume D14/372
D863,299 S * 10/2019 Jacobsen D14/372
D871,403 S * 12/2019 Kobayashi D14/372
D944,248 S * 2/2022 Porter D14/372

* cited by examiner

Primary Examiner — Austin Murphy

(74) *Attorney, Agent, or Firm* — JCIPRNET

(57) **CLAIM**

The ornamental design for a head-mounted display, as shown and described.

DESCRIPTION

FIG. 1 is a perspective view of a head-mounted display showing our new design;

FIG. 2 is another perspective view thereof;

FIG. 3 is another perspective view thereof;

FIG. 4 is another perspective view thereof;

FIG. 5 is a front view thereof;

FIG. 6 is a rear view thereof;

FIG. 7 is a left side view thereof;

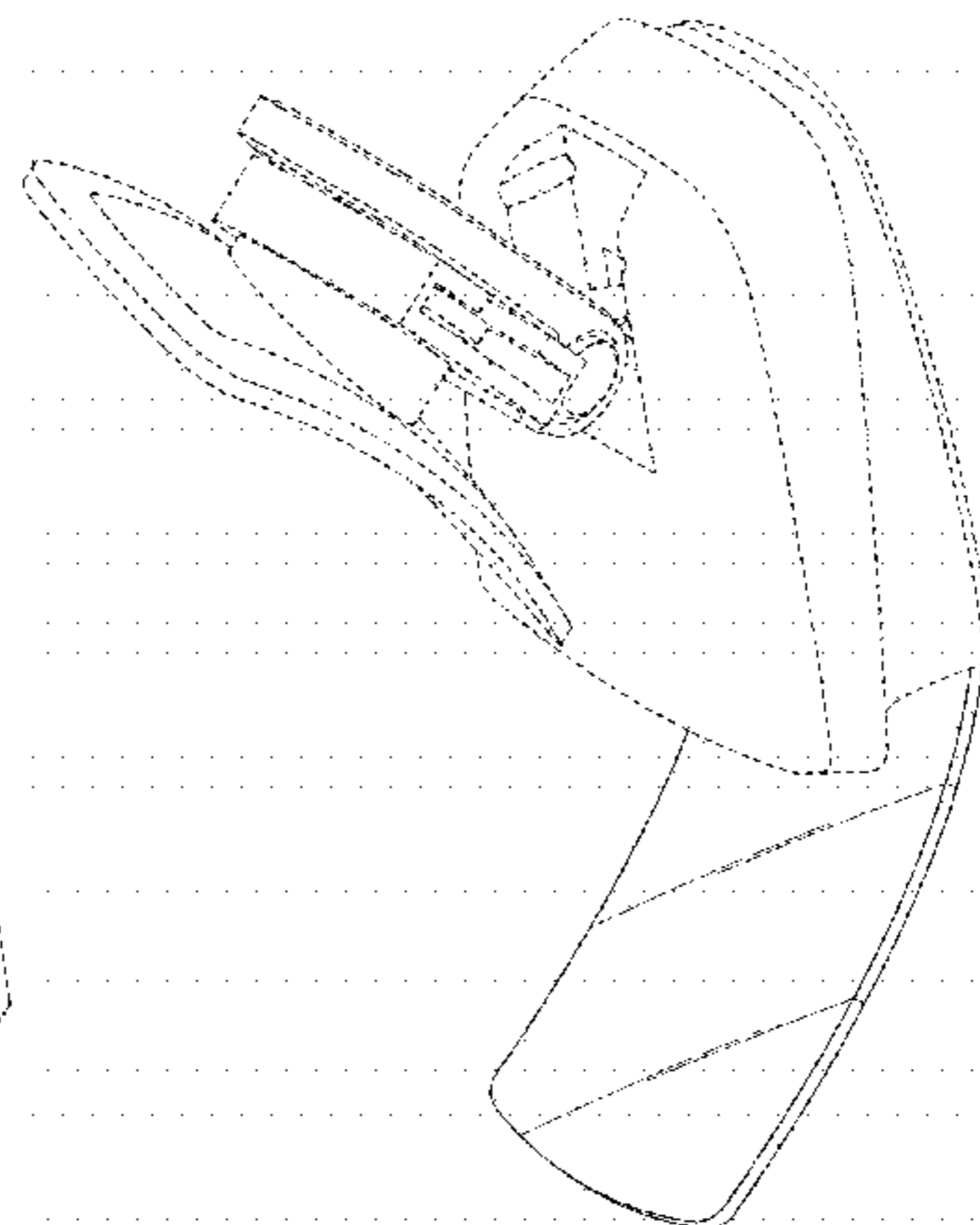
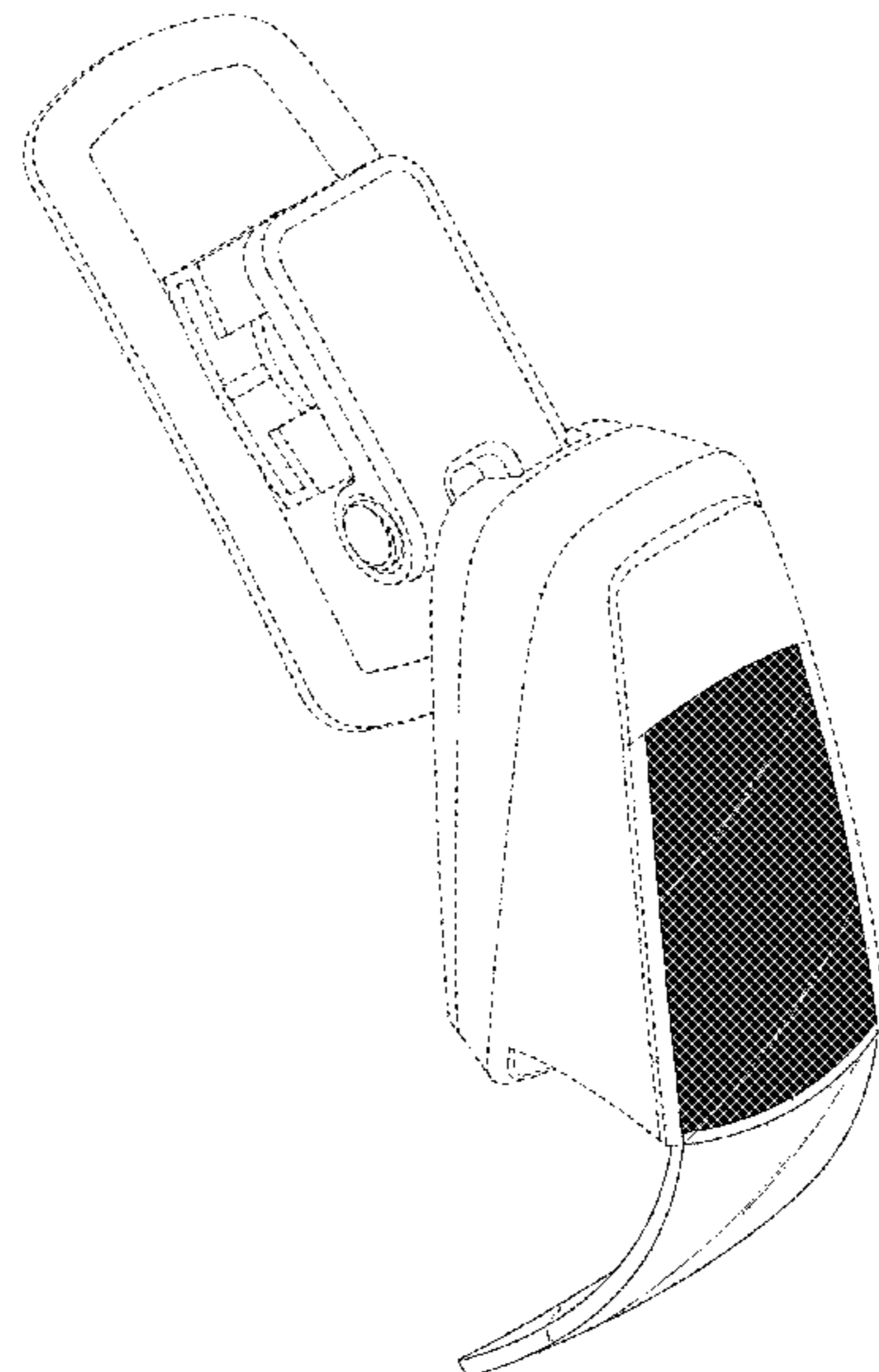
FIG. 8 is a right side view thereof;

FIG. 9 is a top view thereof; and,

FIG. 10 is a bottom view thereof.

The broken lines in the drawings illustrate portions of the article that form no part of the claimed design.

1 Claim, 10 Drawing Sheets



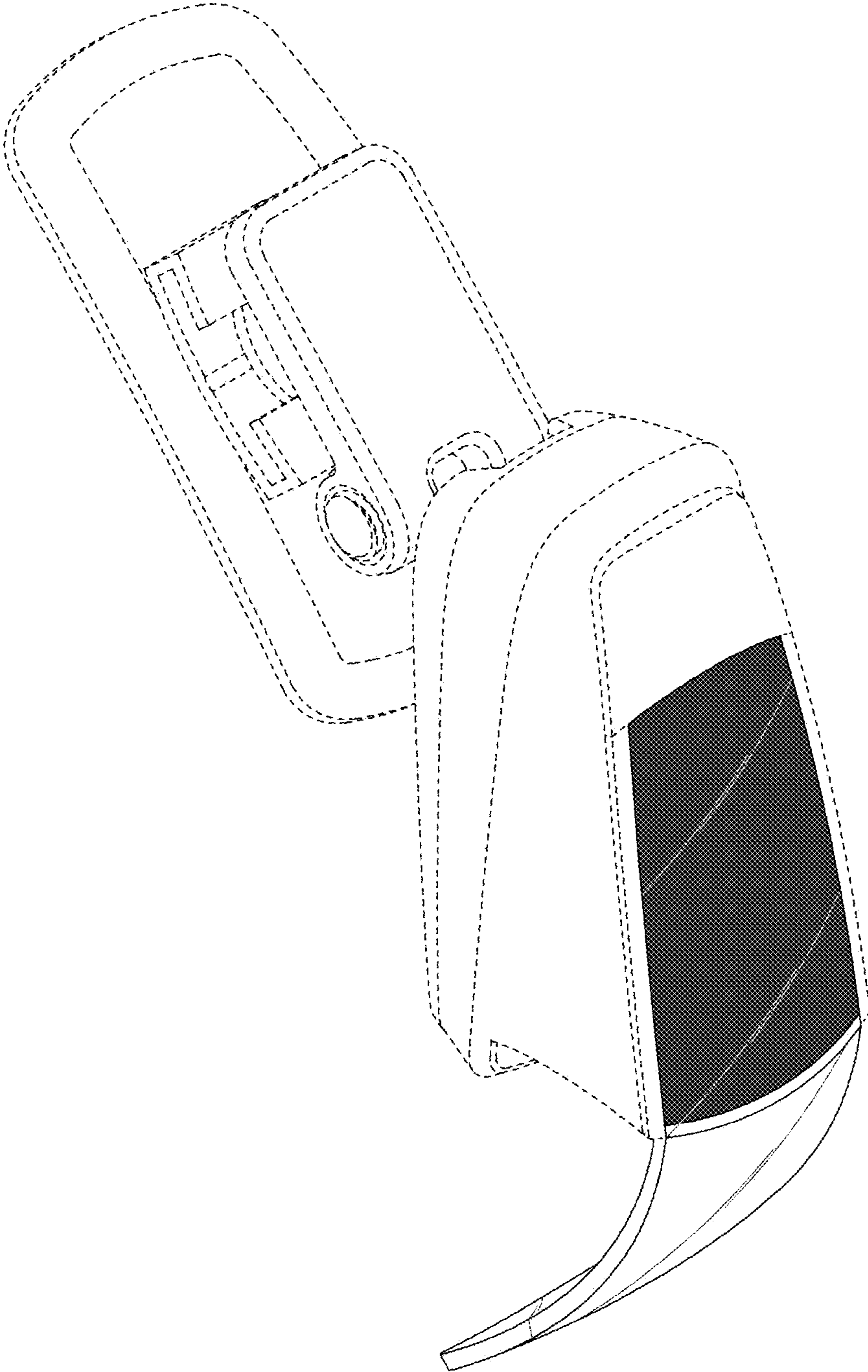


FIG. 1

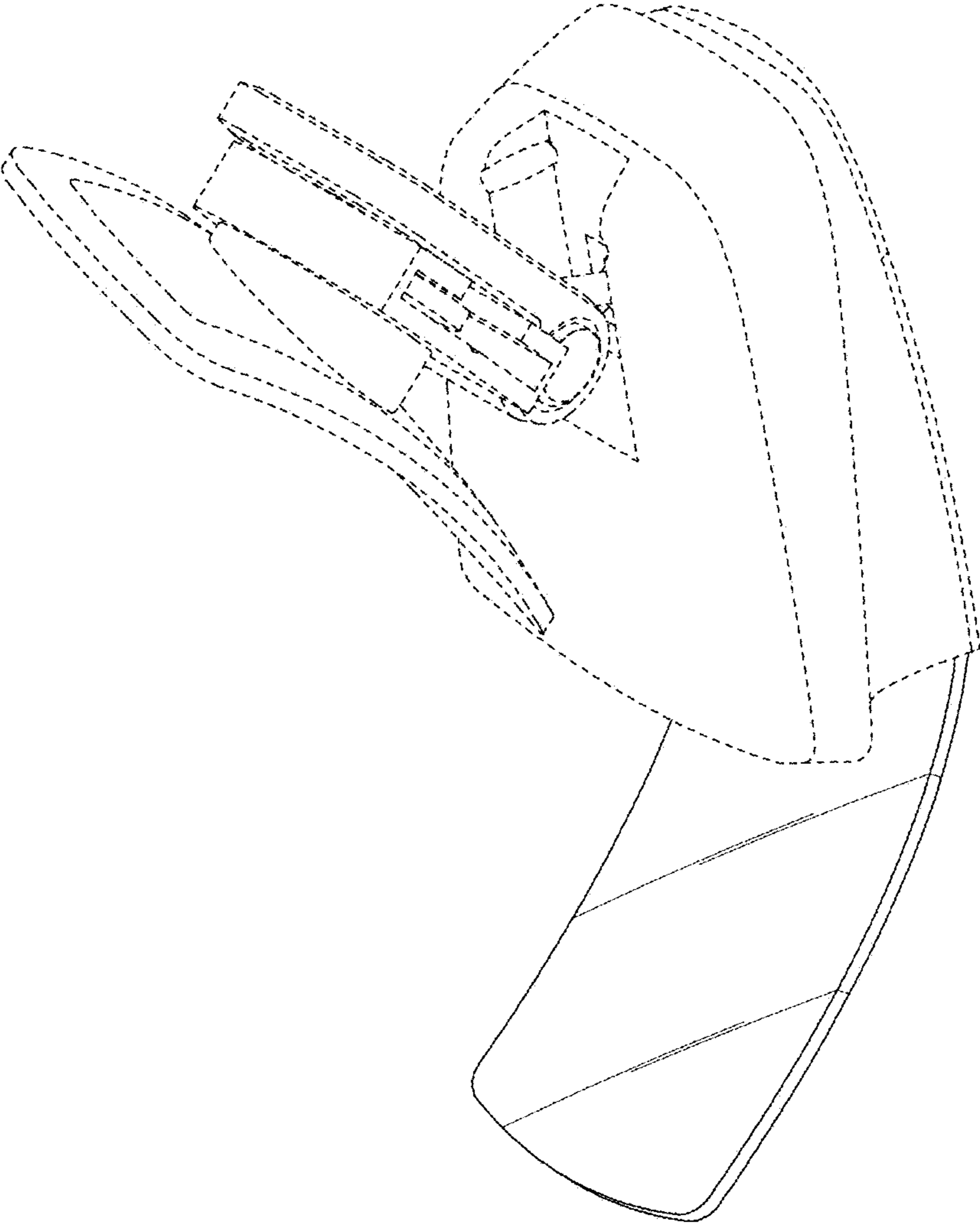


FIG. 2

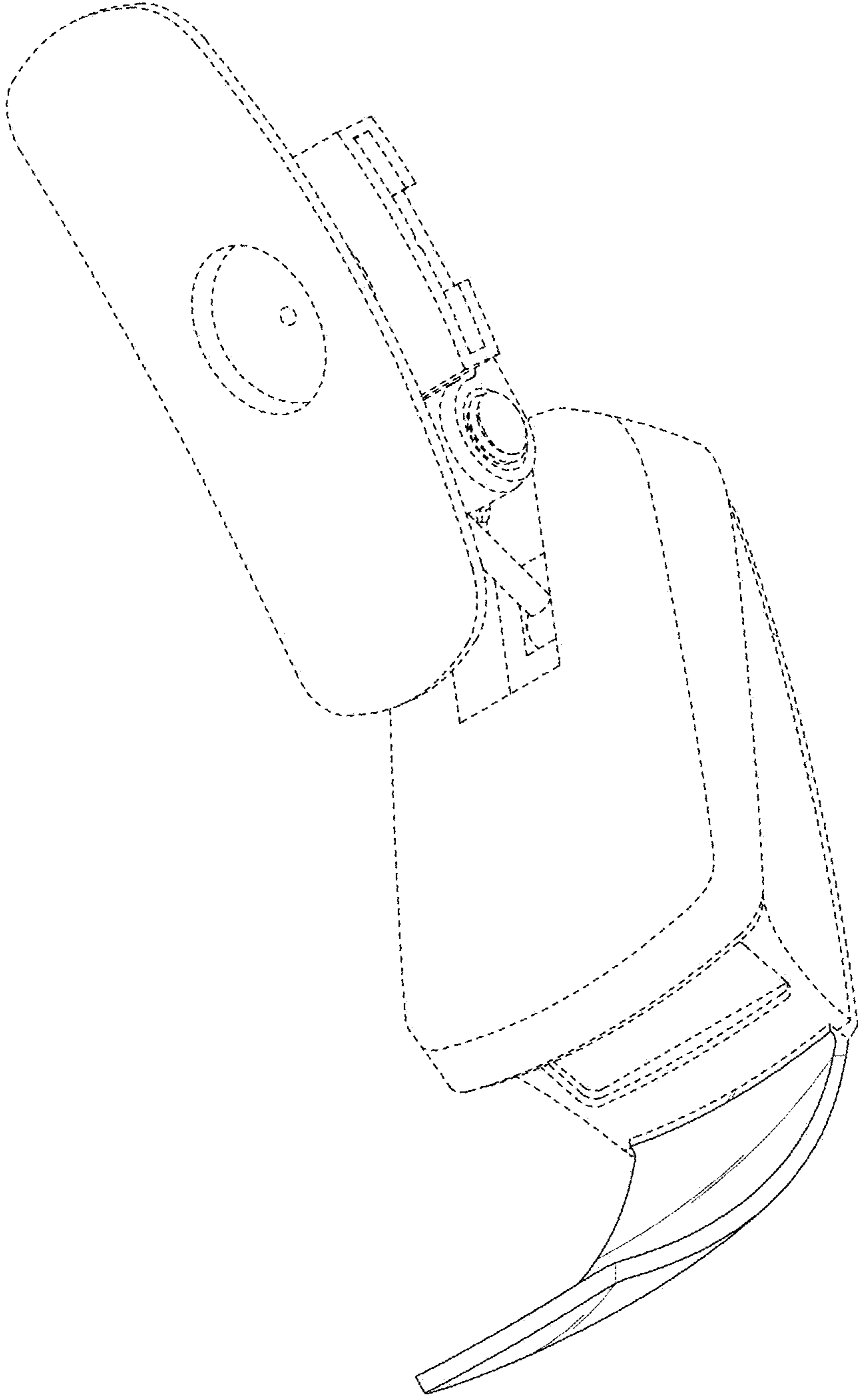


FIG. 3

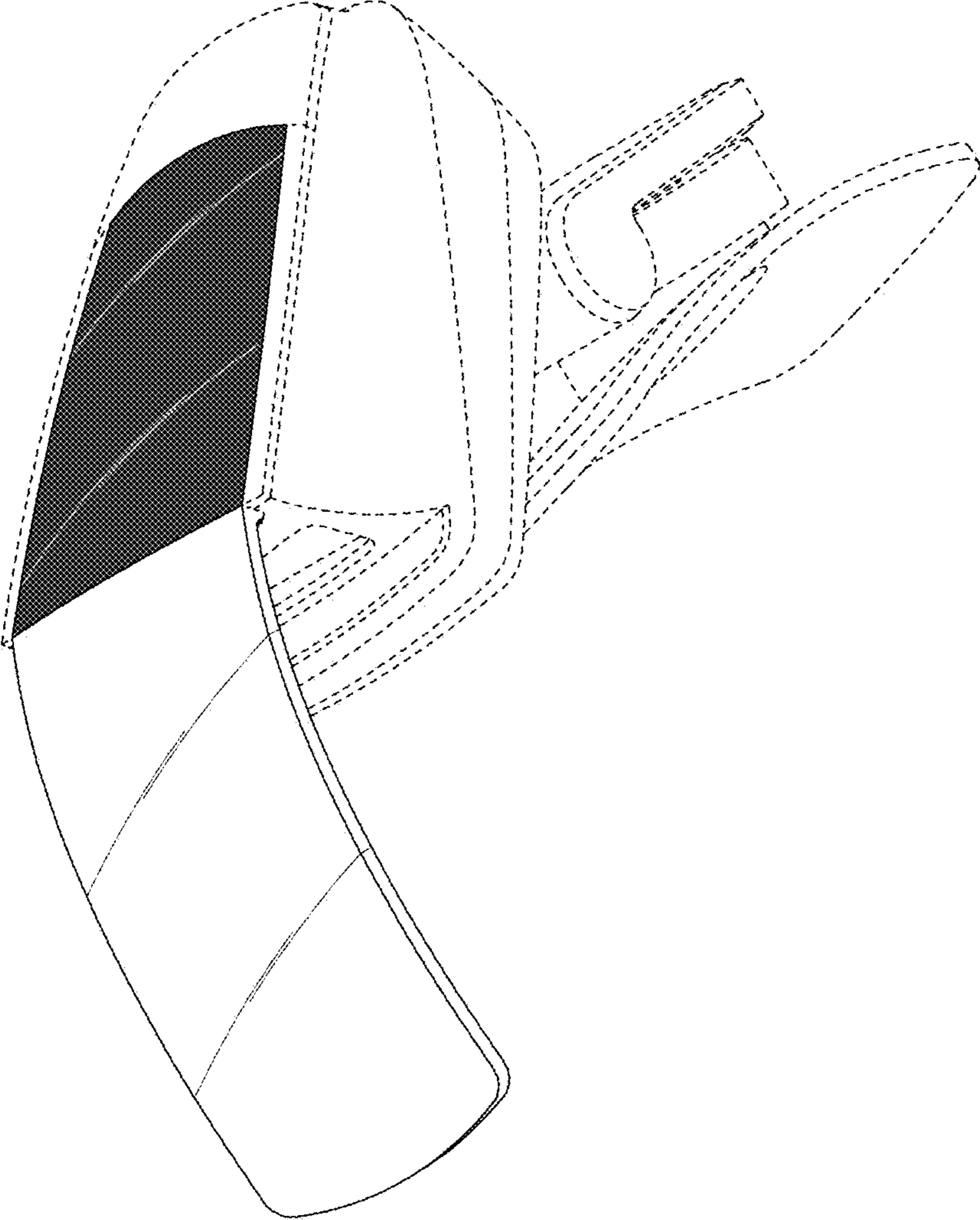


FIG. 4

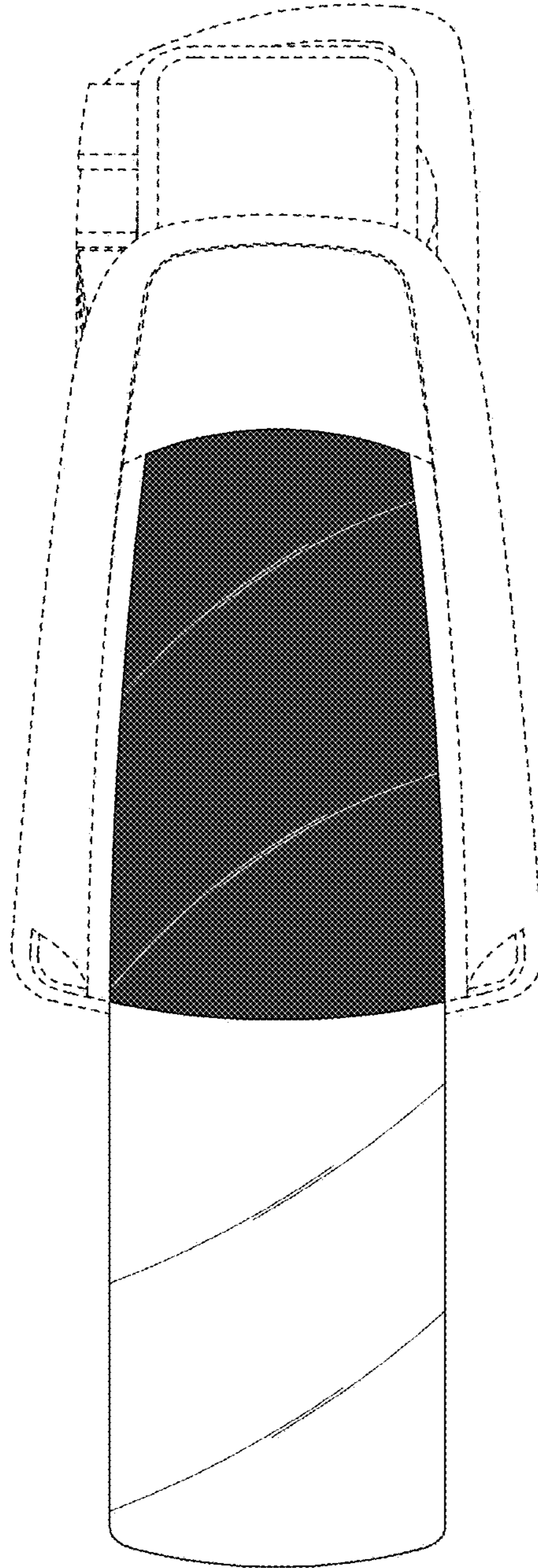


FIG. 5

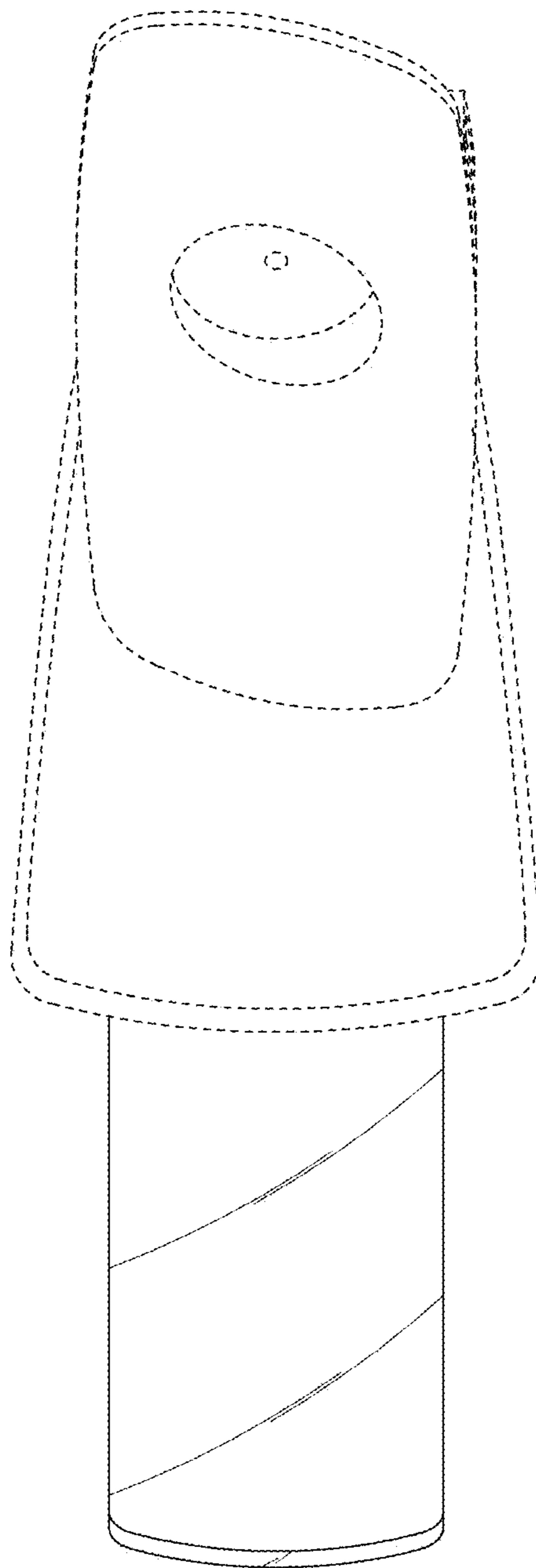


FIG. 6

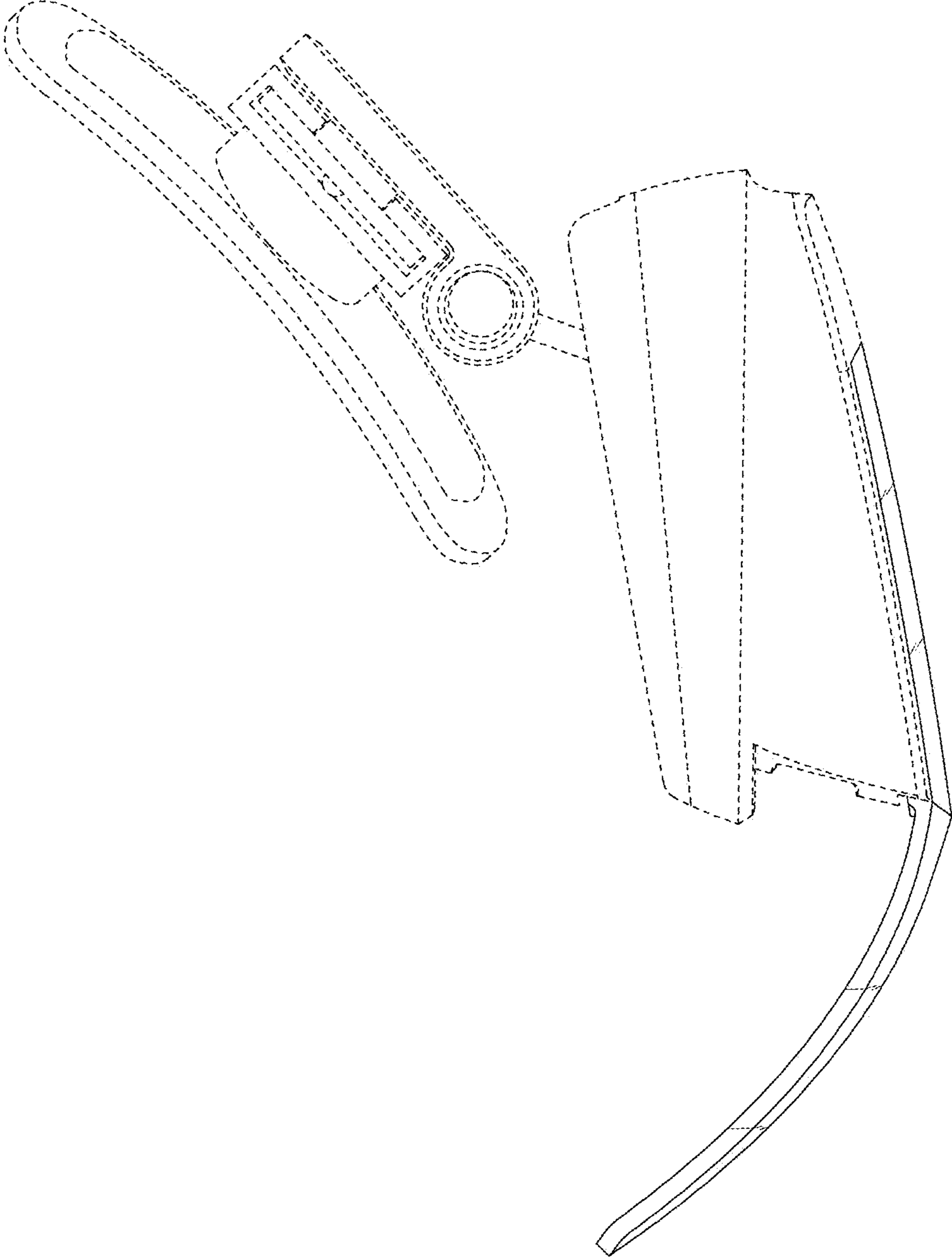


FIG. 7

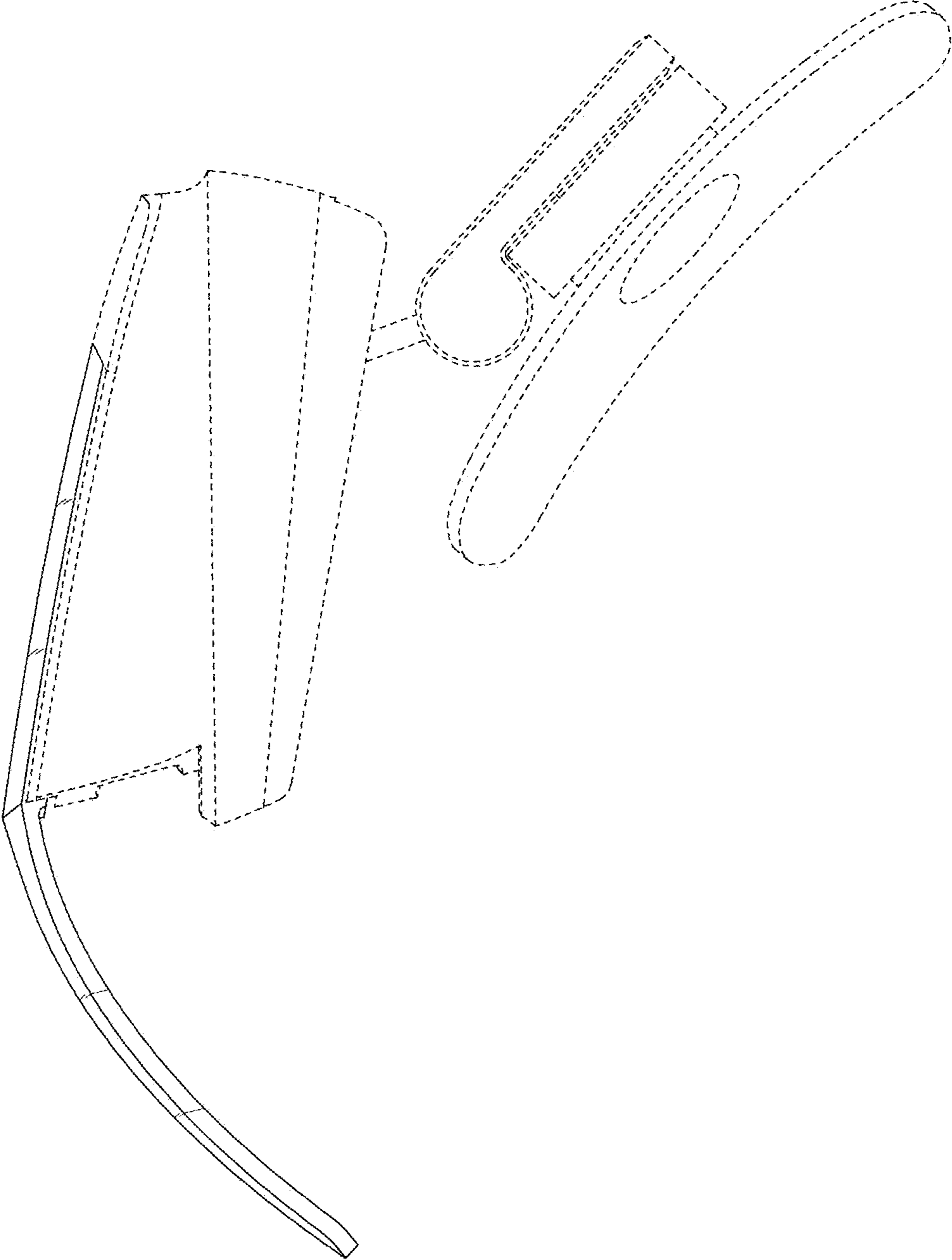


FIG. 8

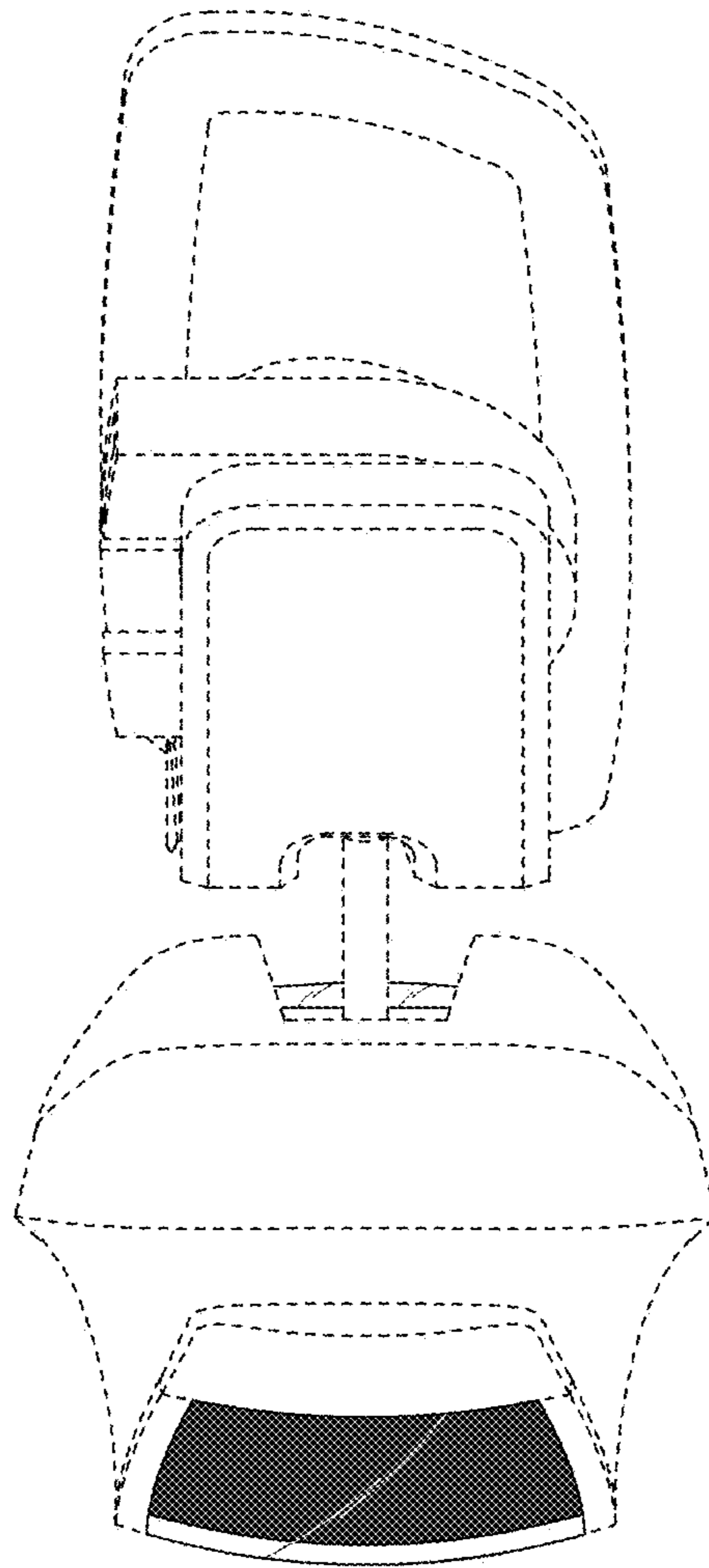


FIG. 9

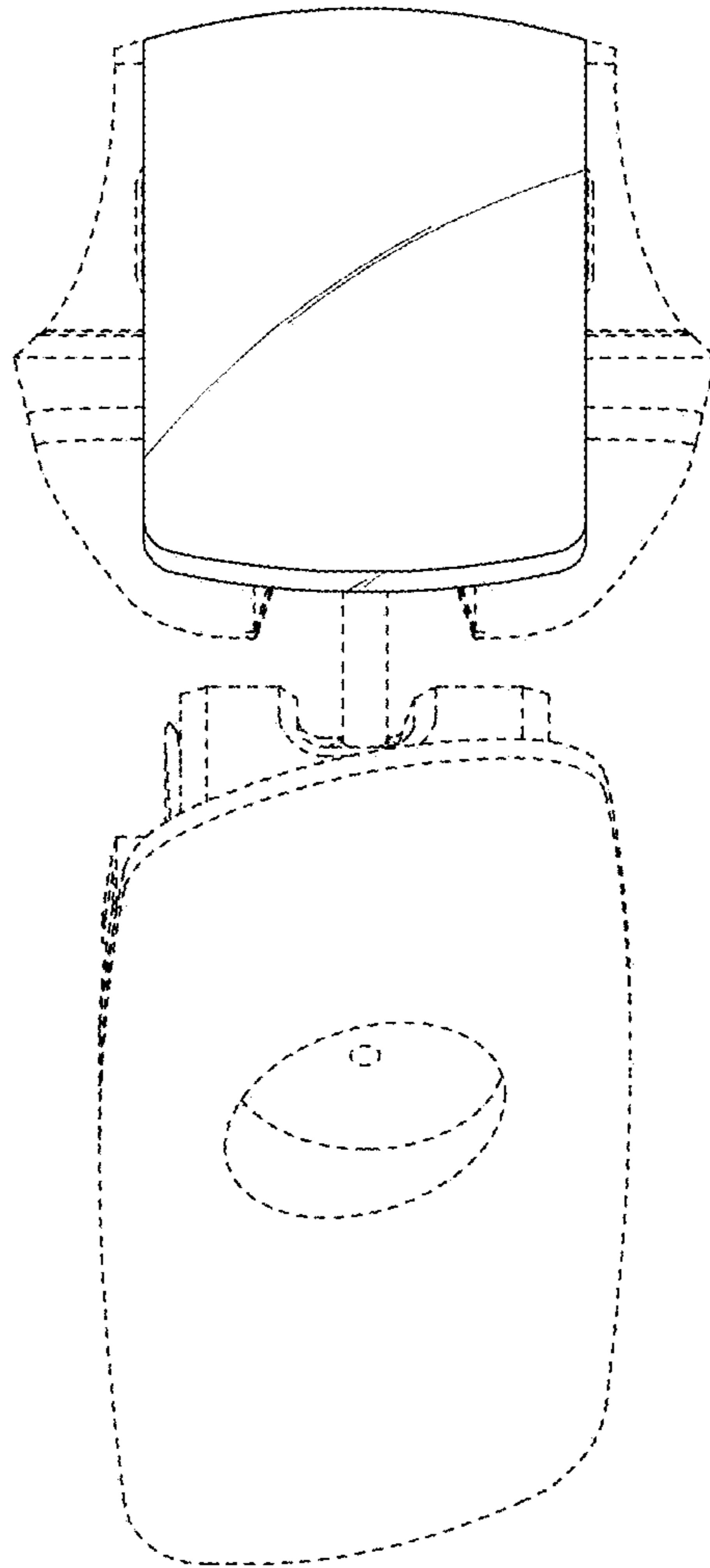


FIG. 10