



US00D962932S

(12) **United States Design Patent**
He et al.

(10) **Patent No.:** **US D962,932 S**
(45) **Date of Patent:** **** Sep. 6, 2022**

(54) **SMARTWATCH**

(71) Applicant: **SHENZHEN DO INTELLIGENT TECHNOLOGY CO., LTD.**, Shenzhen (CN)

(72) Inventors: **An He**, Shenzhen (CN); **Peng Li**, Shenzhen (CN)

(73) Assignee: **SHENZHEN DO INTELLIGENT TECHNOLOGY CO., LTD.**, Shenzhen (CN)

(**) Term: **15 Years**

(21) Appl. No.: **29/802,360**

(22) Filed: **Aug. 4, 2021**

(30) **Foreign Application Priority Data**

Jun. 4, 2021 (CN) 202130354267.1

(51) **LOC (13) Cl.** **14-02**

(52) **U.S. Cl.**
USPC **D14/344**

(58) **Field of Classification Search**

USPC ... D14/126-130, 138, 138 R, 144, 300, 341, D14/344, 358, 388, 485-495, 218; D10/30-39, 40, 41, 46, 70, 79, 98, 106.5, D10/106.6, 106.92, 106.94, 114.6, 123, D10/125-128, 131; D11/1-4, 26, 40-41, D11/93, 94, 78.1, 79, 86; D24/167-169, D24/186-187, 164; D21/324-329
CPC A41D 1/002; A41D 19/0034; G06F 1/08; G06F 1/10; G06F 1/14; G06F 1/1626; G06F 1/1628; G06F 1/163; G06F 1/1635; G06F 1/3203; G06F 1/1613; G06F 2200/1633; G06F 3/0488; G06F 3/04886; G06F 3/044;

(Continued)

(56) **References Cited**

U.S. PATENT DOCUMENTS

D751,068 S * 3/2016 Erbeus D14/344
D751,549 S * 3/2016 Park D14/344

(Continued)

FOREIGN PATENT DOCUMENTS

EM 005266061-0004 5/2018
EM 006531612-0003 6/2019

(Continued)

OTHER PUBLICATIONS

BIGGERFIVE Vigor 2 Fitness Tracker Watch for Kids, first available Sep. 16, 2021, amazon.co.uk, [online], [site visited Apr. 5, 2022], Available from internet URL: https://www.amazon.co.uk/dp/B09GK8VF3H/ref=sspa_dk_detail_3?pf_rd_p=828203ef-618e-4303-a028-460d6b615038&pd_rd_wg=3eYoO&pf_rd_r=8%E2%80%A6 (Year: 2021).*

(Continued)

Primary Examiner — Samantha Q Lawrence

Assistant Examiner — Holly M Rodriguez

(74) *Attorney, Agent, or Firm* — Perry + Currier Inc.

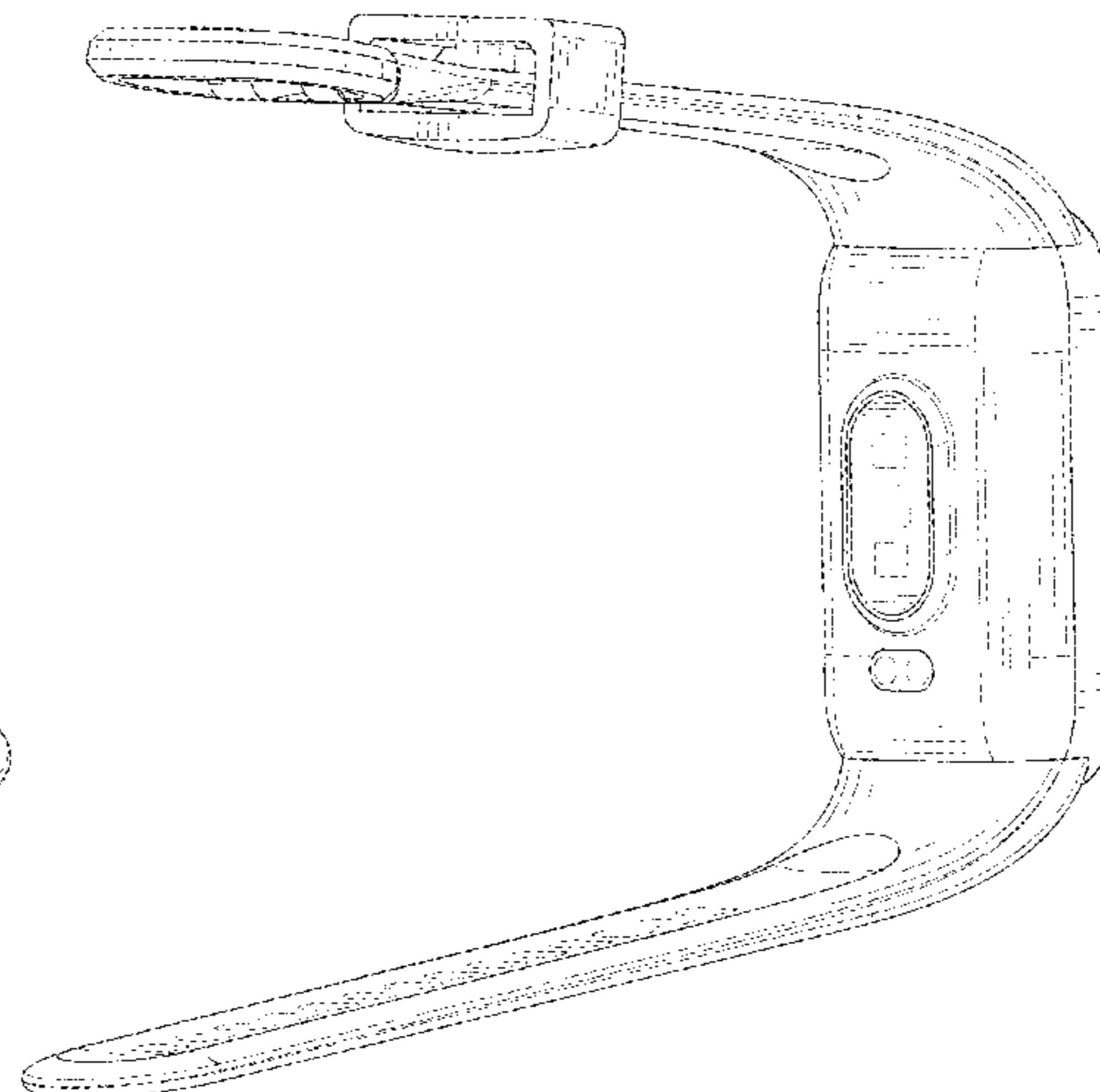
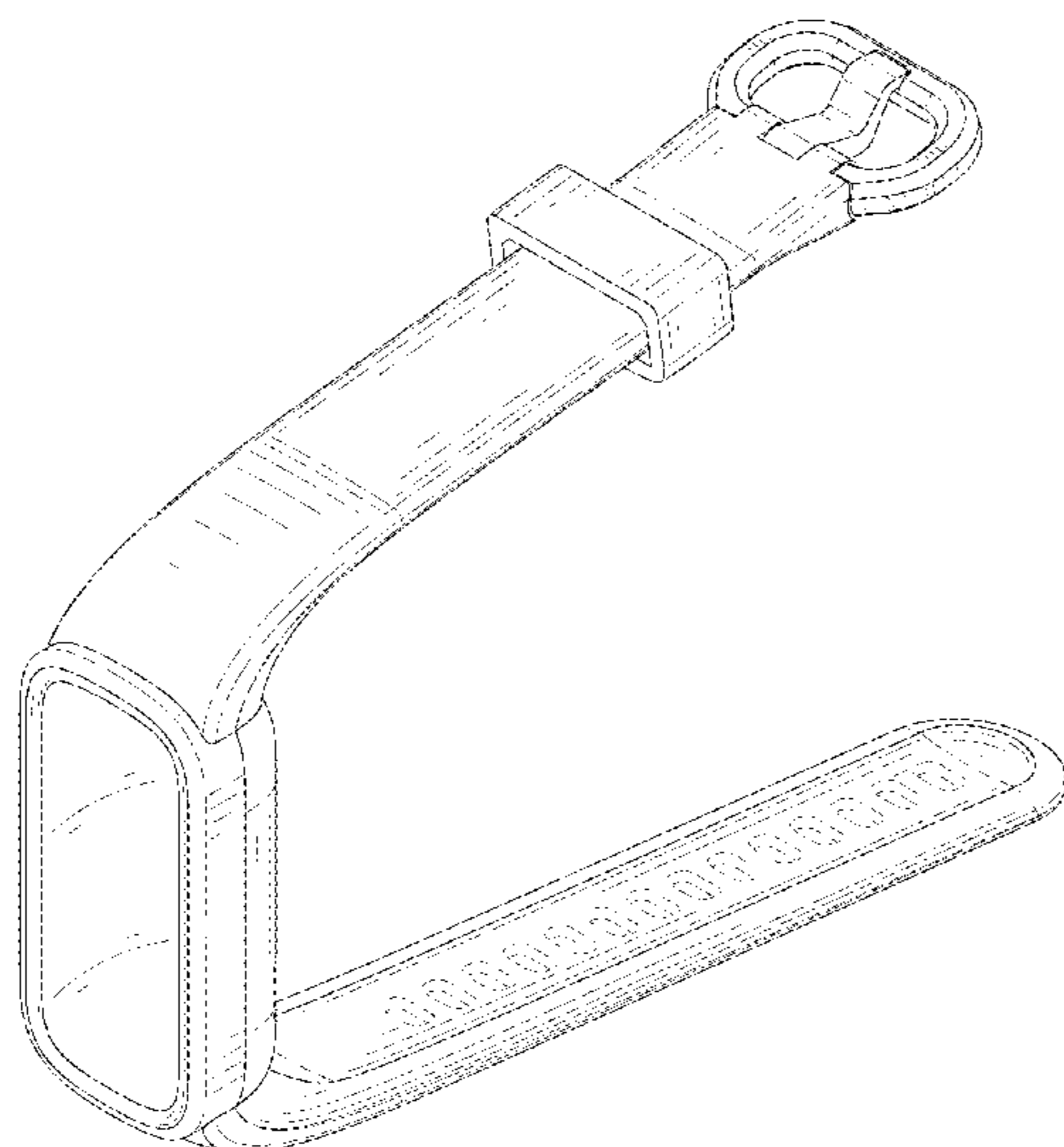
(57) **CLAIM**

The ornamental design for a smartwatch, as shown and described.

DESCRIPTION

FIG. 1 is a front and right side perspective view of a smartwatch showing our new design; FIG. 2 is a rear, left and bottom side perspective view thereof; FIG. 3 is a front elevation view thereof; FIG. 4 is a rear elevation view thereof; FIG. 5 is as left side elevation view thereof; FIG. 6 is a right side elevation view thereof; FIG. 7 is a top plan view thereof; and, FIG. 8 is a bottom plan view thereof. The broken lines shown in FIGS. 1-8 illustrate portions of the smartwatch that form no part of the claimed design.

1 Claim, 8 Drawing Sheets



(58) **Field of Classification Search**

CPC G06F 3/0412; G06F 3/0416; G06Q 20/10;
 G06Q 20/12; G06Q 20/108; G06Q
 20/145; H04B 1/3833; H04B 1/385;
 H04B 1/3888; H04M 1/02; H04M 1/03;
 H04M 1/04; H04M 1/05; H04M 1/667;
 H04M 1/6058; Y02B 60/1217

See application file for complete search history.

FOREIGN PATENT DOCUMENTS

EM	007828199-0001	6/2021
EM	008563027-0001	6/2021
EM	008643506-0001	8/2021
EM	008711816-0001	11/2021
GB	6150034	7/2021

OTHER PUBLICATIONS

(56) **References Cited**

U.S. PATENT DOCUMENTS

D770,321	S	*	11/2016	Murphy	D14/344
D809,144	S	*	1/2018	Wu	D10/70
D822,836	S		7/2018	Wu		
D833,412	S	*	11/2018	Guan	D14/344
D841,171	S	*	2/2019	Li	D14/344
D851,641	S	*	6/2019	Zhang	D14/344
D862,460	S	*	10/2019	Zhang	D14/344
D862,463	S	*	10/2019	Mao	D14/344
D865,546	S	*	11/2019	Kellock	D10/70
D868,063	S	*	11/2019	Mao	D14/344
D878,365	S	*	3/2020	Choplin	D14/344
D879,094	S	*	3/2020	Choplin	D14/344
D918,899	S	*	5/2021	Zhu	D14/344
D927,999	S	*	8/2021	Paschke	D10/70
D931,853	S	*	9/2021	Xu	D14/344
D933,651	S	*	10/2021	Cheng	D14/344
D938,416	S	*	12/2021	King	D14/344

BIGGERFIVE Vigor Fitness Tracker Watch for Kids, first available Jul. 14, 2020, amazon.co.uk, [online], [site visited Apr. 5, 2022], Available from internet URL: https://www.amazon.co.uk/dp/B08CXVCZJZ/ref=sspa_dk_detail_6?pd_rd_i=B08CXVCZJZ&pd_rd_w=7HM6N&pf_rd_p=828203ef-618e-4303-a028-46%E2%80%A6 (Year: 2020).*

Fitbit Luxe Health & Fitness Tracker, first available Apr. 20, 2021, amazon.com, [online], [site visited Apr. 5, 2022], Available from internet URL: https://www.amazon.co.uk/dp/B08ZF7QDXJ/ref=sspa_dk_detail_6?pf_rd_p=828203ef-618e-4303-a028-460d6b615038&pd_rd_wg=RLDnh&pf_rd_r=V%E2%80%A6&th=1 (Year: 2021).*

Noise Champ Smart Band for Kids, first available Dec. 21, 2021, amazon.co.uk, [online], [site visited Apr. 5, 2022], Available from internet URL: <https://www.amazon.in/Noise-Alarms-Lightweight-Tracker-Washable/dp/B09G78QM7G?th=1> (Year: 2021).*

Fitbit, "Fitbit Luxe—Fitbit Product Protection." Fitness Wellness Tracker | Shop Fitbit Luxe, 2021, downloaded on Dec. 10, 2021 from URL: <https://www.fitbit.com/global/trackers/luxe>.

* cited by examiner

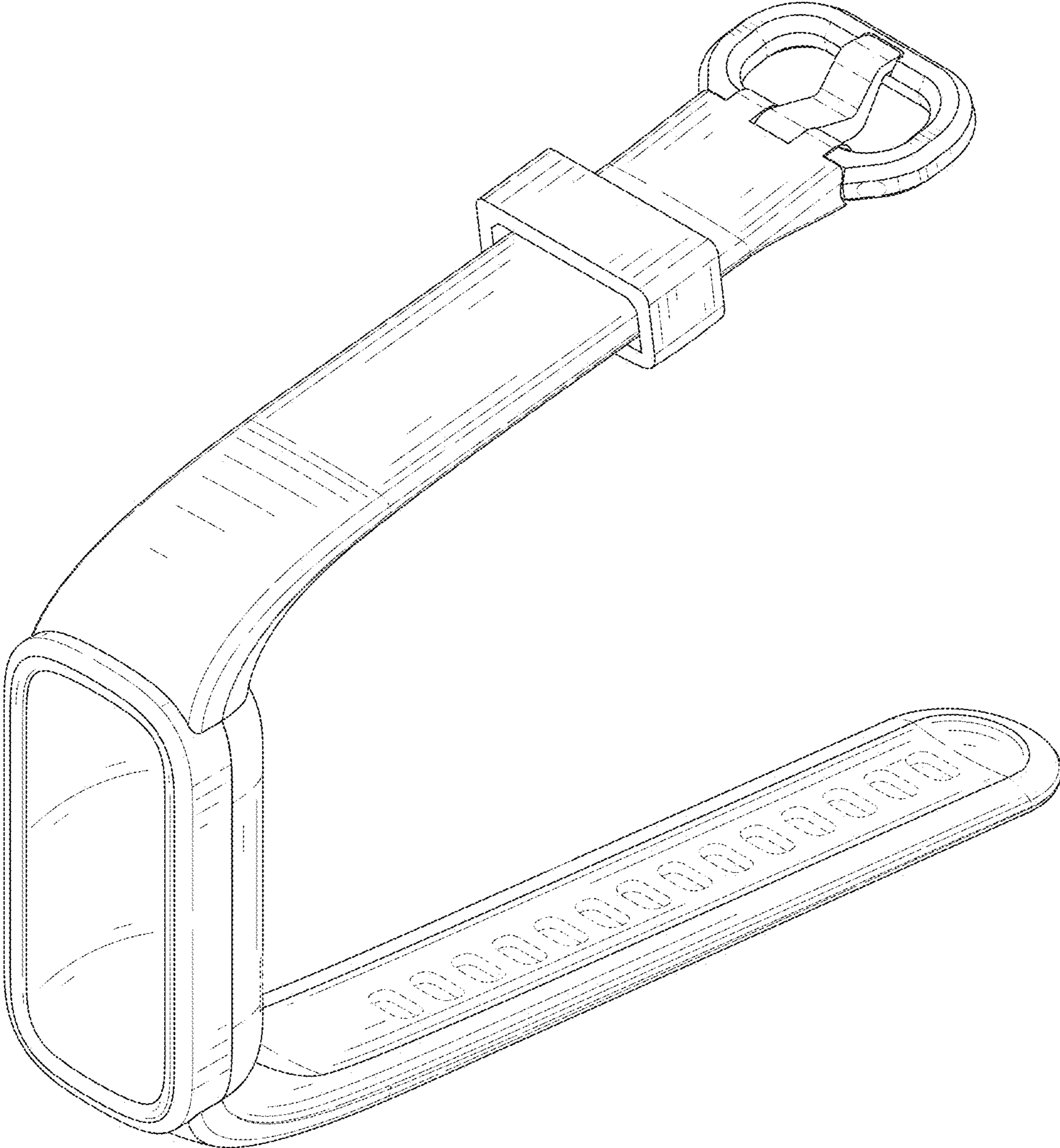


FIG. 1

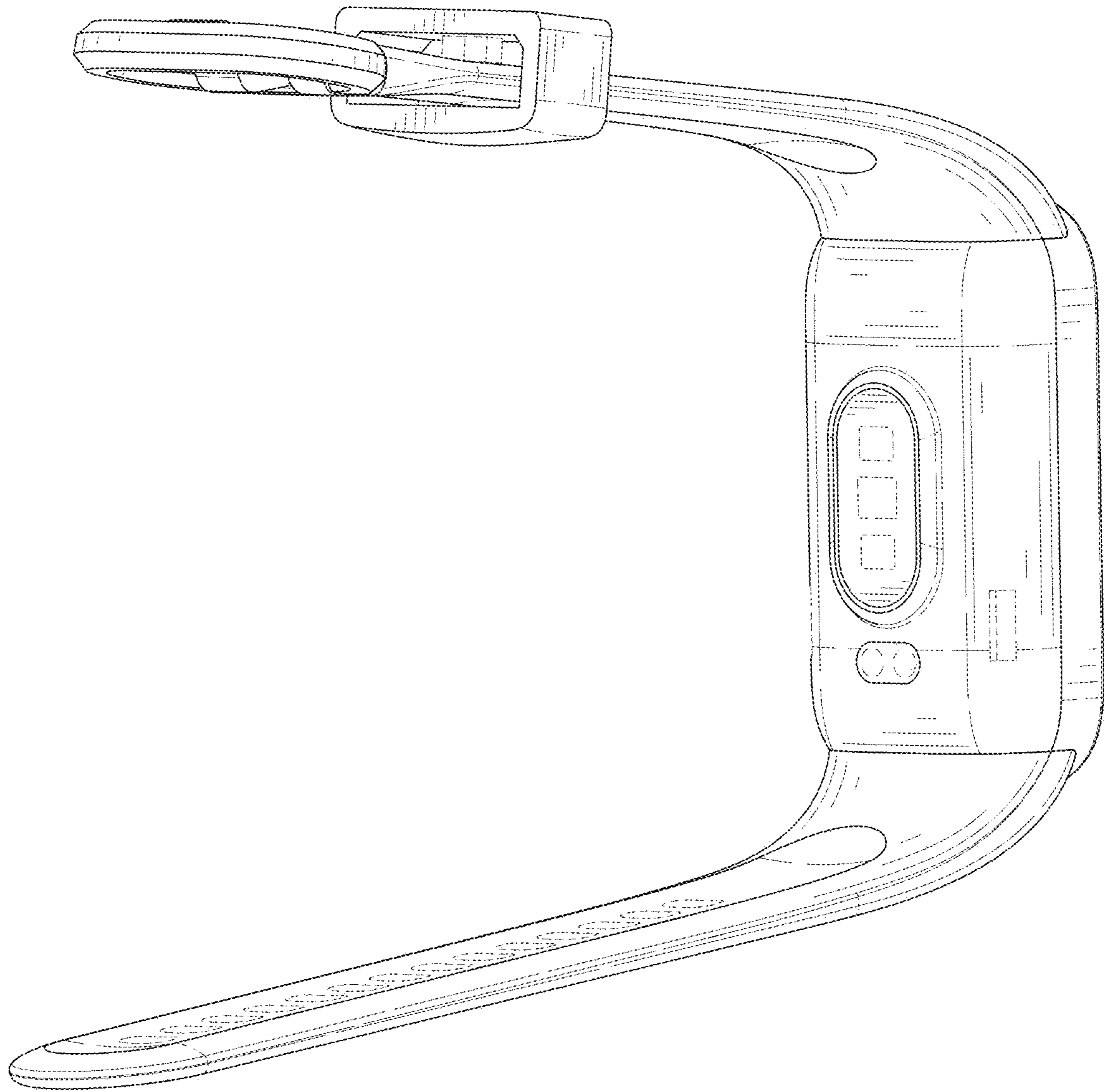


FIG. 2

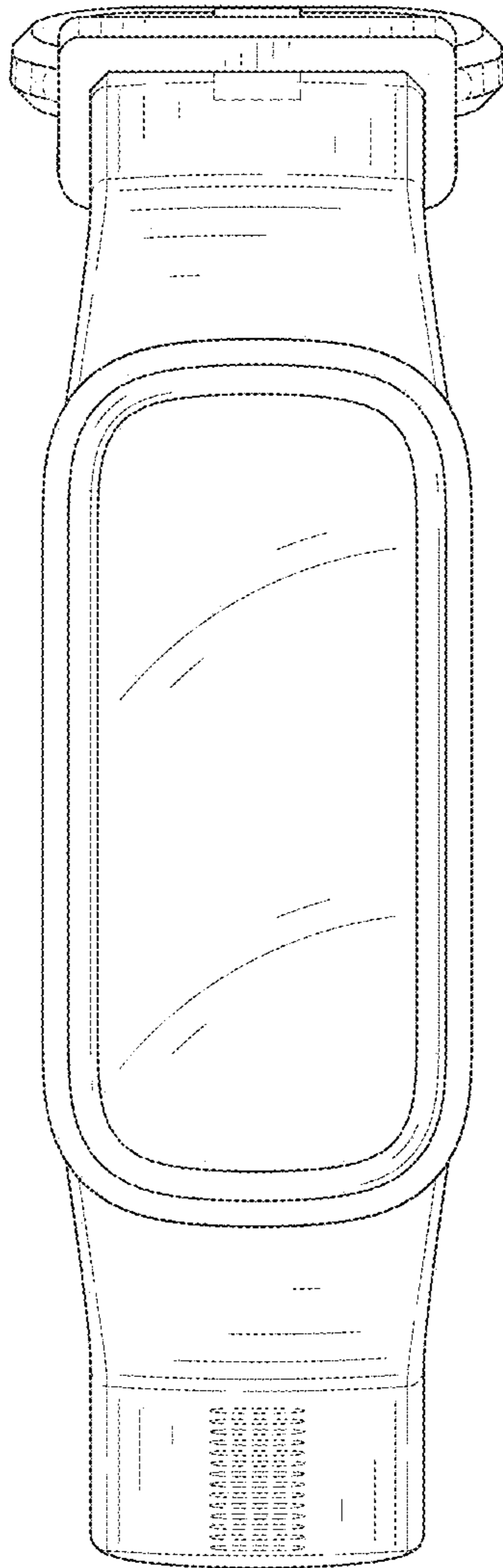


FIG. 3

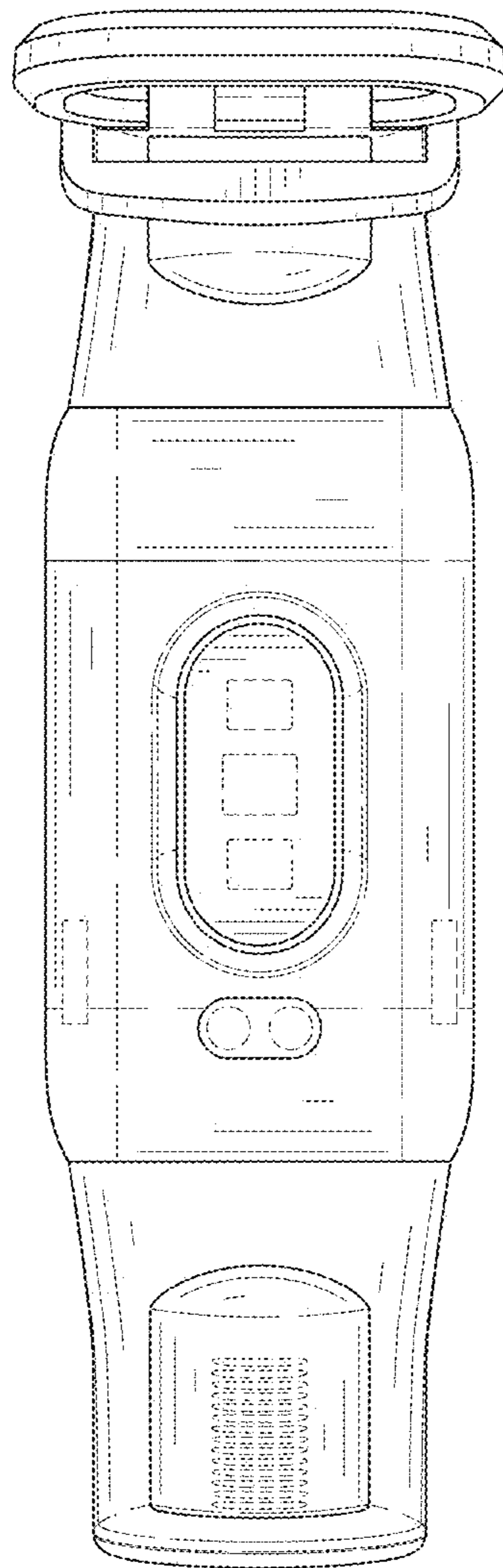


FIG. 4

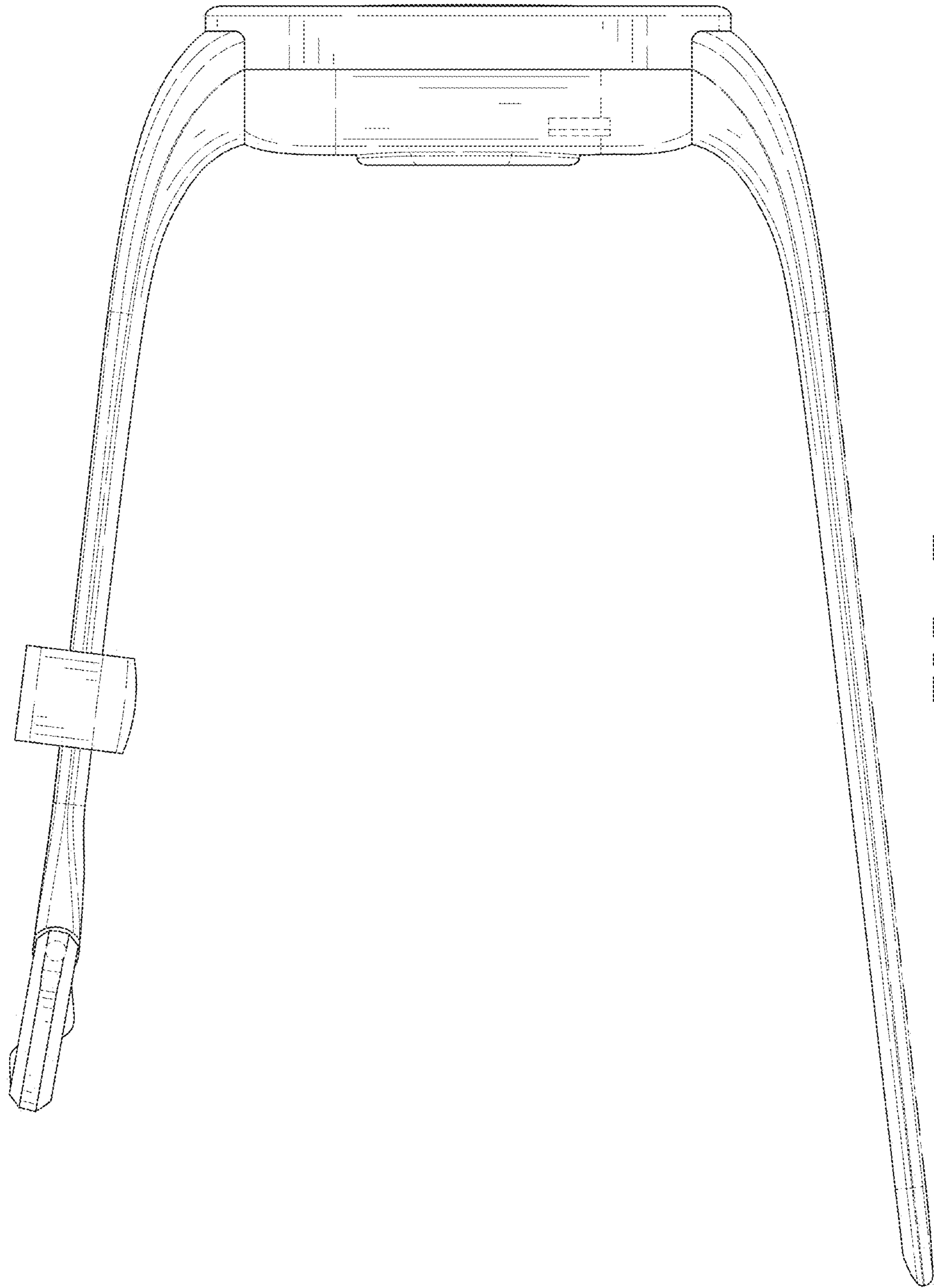


FIG. 5

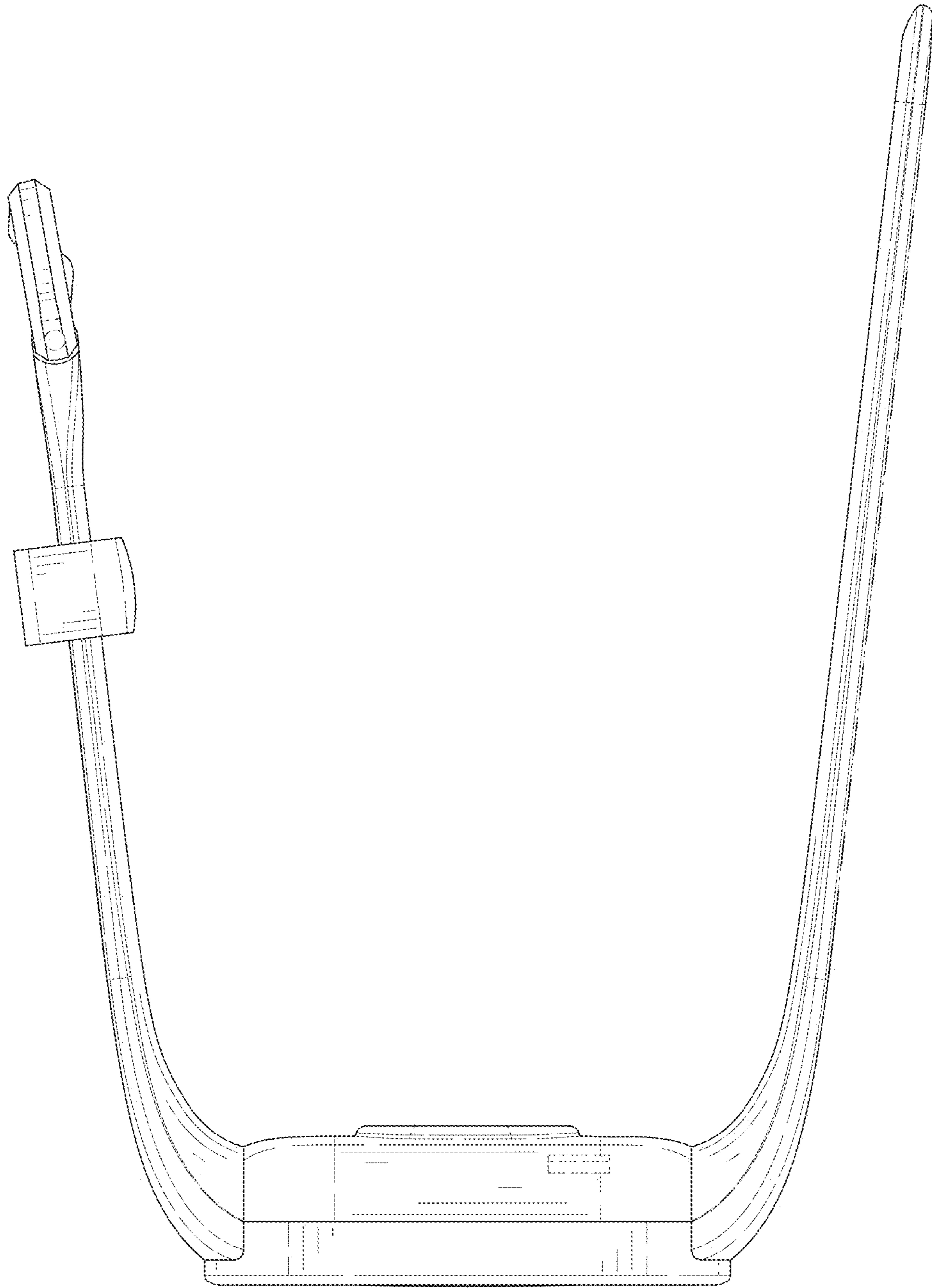


FIG. 6

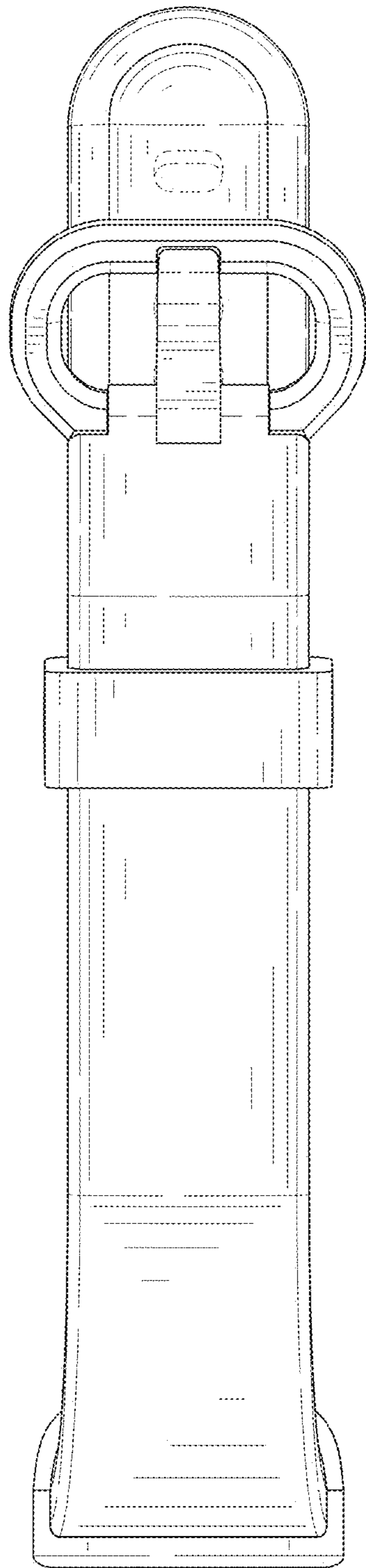


FIG. 7

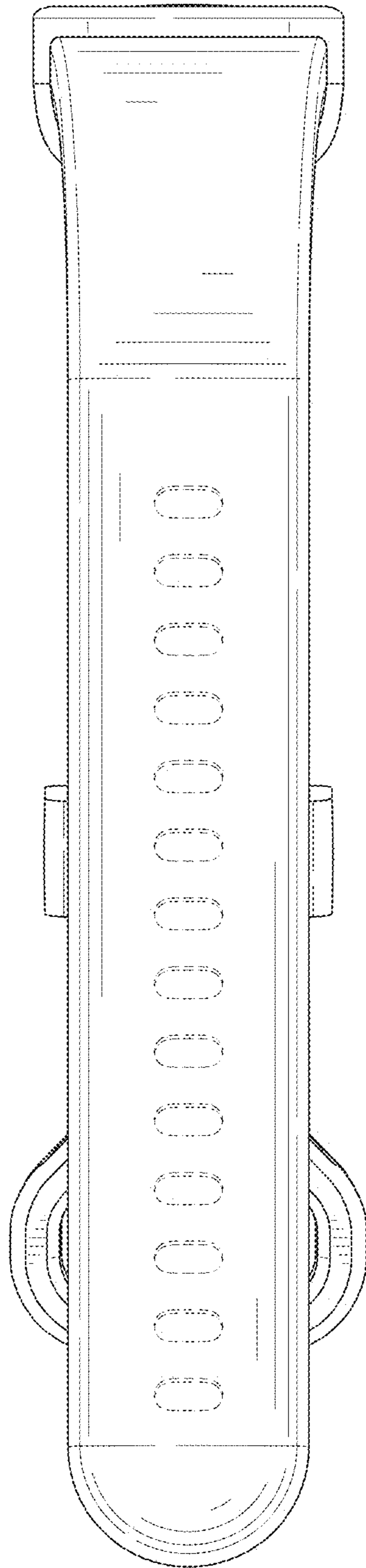


FIG. 8