

US00D962931S

(12) **United States Design Patent**  
**He et al.**

(10) **Patent No.:** **US D962,931 S**  
(45) **Date of Patent:** **\*\* Sep. 6, 2022**

(54) **SMARTWATCH**

D815,090 S \* 4/2018 Chan ..... D14/344  
D844,458 S \* 4/2019 Lillquist ..... D10/30  
D848,864 S \* 5/2019 Mockler ..... D10/30

(71) Applicant: **SHENZHEN DO INTELLIGENT TECHNOLOGY CO., LTD.**, Shenzhen (CN)

(Continued)

**FOREIGN PATENT DOCUMENTS**

(72) Inventors: **An He**, Shenzhen (CN); **Peng Li**, Shenzhen (CN)

CN 306038852 9/2020  
CN 306160550 11/2020

(Continued)

(73) Assignee: **SHENZHEN DO INTELLIGENT TECHNOLOGY CO., LTD.**, Shenzhen (CN)

**OTHER PUBLICATIONS**

(\*\*) Term: **15 Years**

Geek Tech Online, "Rollme Hero: Smart Watch with Frameless Display, Two Cameras, Android OS and Stuffing like Smartphones." Geek Tech Online, Feb. 23, 2021, downloaded on Dec. 9, 2021 from URL: <https://geektech.me/rollme-hero-smart-watch-with-a-frameless-display-two-cameras-android-os-and-stuffing-like-smarphones/>.

(21) Appl. No.: **29/802,308**

(Continued)

(22) Filed: **Aug. 4, 2021**

(30) **Foreign Application Priority Data**

*Primary Examiner* — Rebekah A Caruso

Jun. 8, 2021 (CN) ..... 202130351414.X

(74) *Attorney, Agent, or Firm* — Perry + Currier Inc.

(51) **LOC (13) Cl.** ..... **14-02**

(57) **CLAIM**

(52) **U.S. Cl.**

The ornamental design for a smartwatch, as shown and described.

USPC ..... **D14/344**

**DESCRIPTION**

(58) **Field of Classification Search**

USPC ..... D14/341-344, 144, 203.1-203.8, 217, D14/238.1, 358, 388, 432; D10/30-39, D10/122-125

CPC ..... G06F 1/163; H04B 1/385; H04B 1/3888; H04M 1/04; H04M 1/05; A61B 5/332; G04G 21/00; G04G 21/025

See application file for complete search history.

FIG. 1 is a front, right and top side perspective view of a smartwatch showing our new design;  
FIG. 2 is a rear, left and bottom side perspective view thereof;  
FIG. 3 is a front elevation view thereof;  
FIG. 4 is a rear elevation view thereof;  
FIG. 5 is as left side elevation view thereof;  
FIG. 6 is a right side elevation view thereof;  
FIG. 7 is a top plan view thereof;  
FIG. 8 is a bottom plan view thereof; and,  
FIG. 9 is a partial enlarged view of FIG. 2.

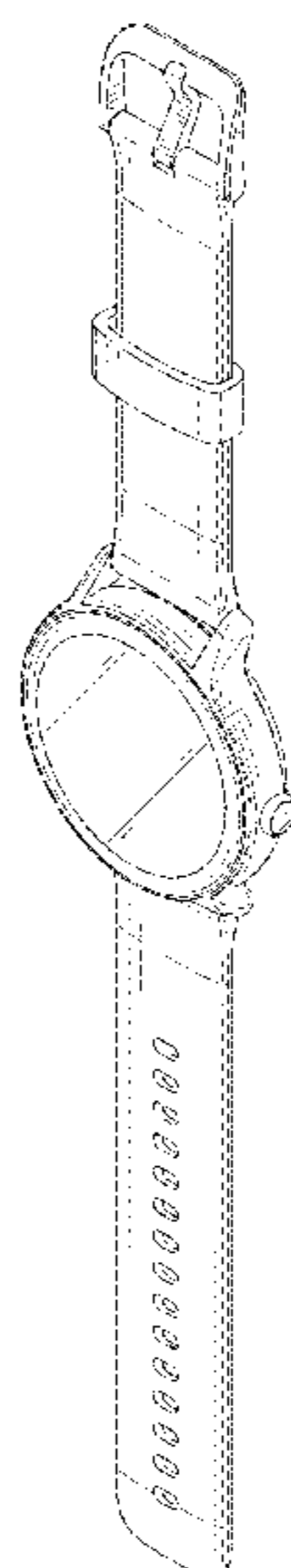
(56) **References Cited**

**U.S. PATENT DOCUMENTS**

D678,081 S \* 3/2013 Cabiddu ..... D10/38  
D719,125 S \* 12/2014 Choi ..... D14/344  
D789,542 S \* 6/2017 Lillquist ..... D24/167  
9,671,757 B1 \* 6/2017 Yuen ..... G04G 21/04

The broken lines showing various regions of the smartwatch represent subject matter which forms no part of the claimed design.

**1 Claim, 9 Drawing Sheets**



(56)

**References Cited**

U.S. PATENT DOCUMENTS

D857,528 S \* 8/2019 Moilanen ..... D14/344  
D858,312 S \* 9/2019 Liu ..... D14/344  
D900,643 S \* 11/2020 Barberis ..... D14/344  
D912,542 S \* 3/2021 Moilanen ..... D14/344  
D913,118 S \* 3/2021 Moilanen ..... D14/344  
D923,004 S \* 6/2021 Gao ..... D14/344  
D927,991 S 8/2021 Ide et al.  
D948,350 S \* 4/2022 Selby ..... D14/344  
2017/0185048 A1\* 6/2017 Yuen ..... G04G 21/04

FOREIGN PATENT DOCUMENTS

CN 306288741 1/2021  
KP 3010126520001 6/2019

OTHER PUBLICATIONS

mi.com, "Watch-Revolve-Active." Mi, 2021, downloaded on Dec. 9, 2021 from URL <https://www.mi.com/in/product/mi-watch-revolve-active/>.

\* cited by examiner

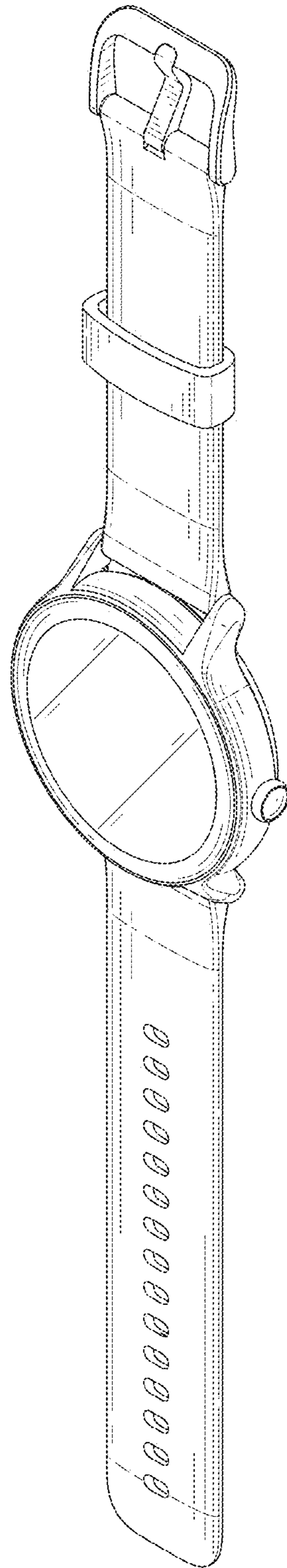
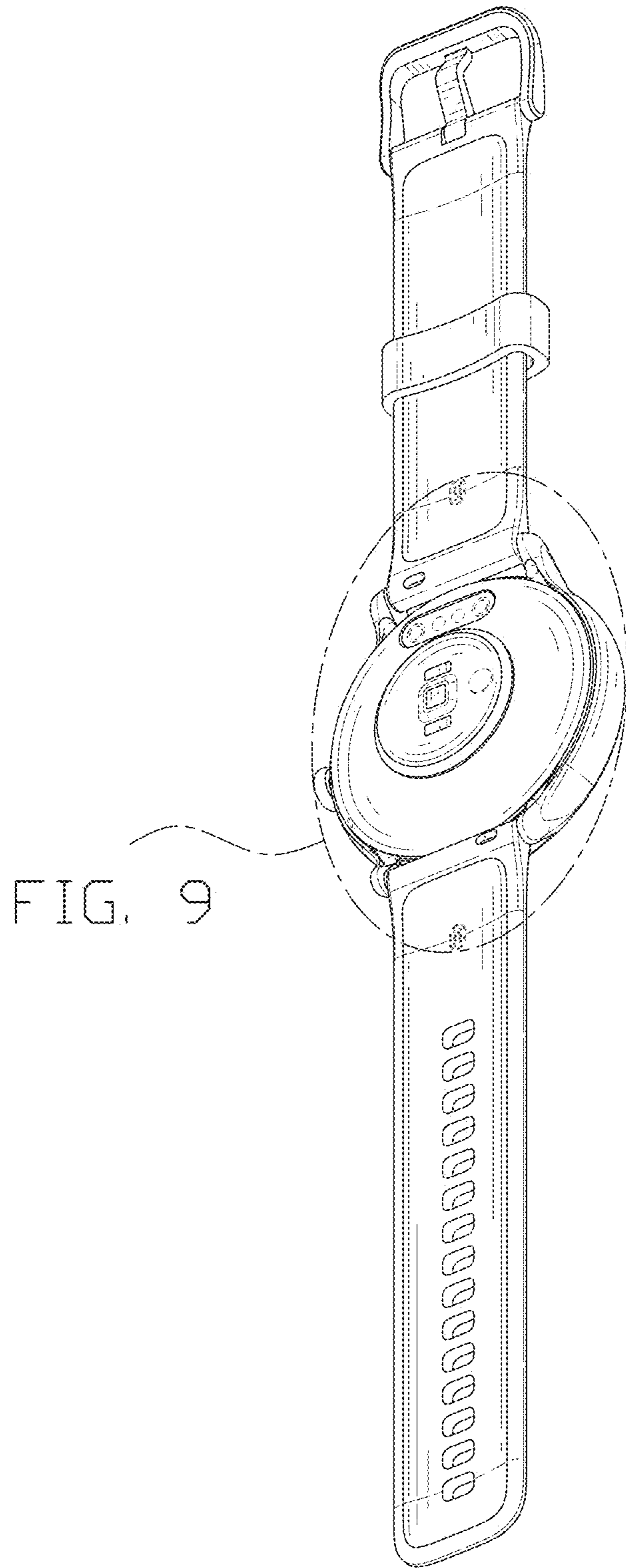


FIG. 1



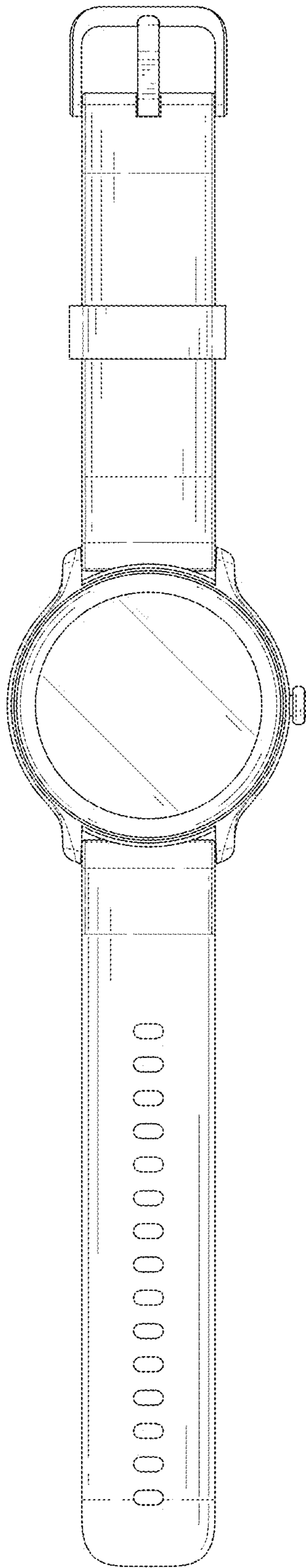


FIG. 3

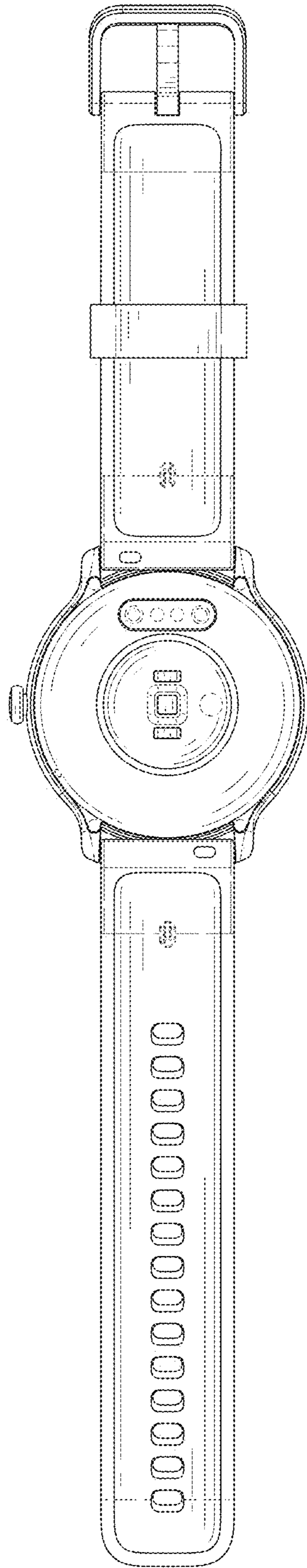


FIG. 4

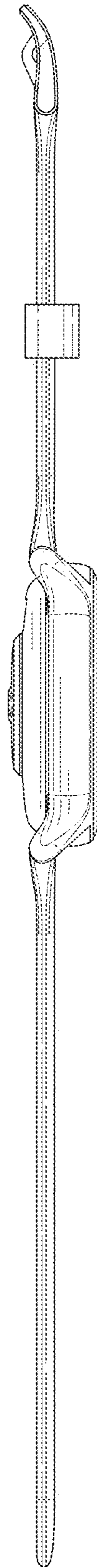


FIG. 5

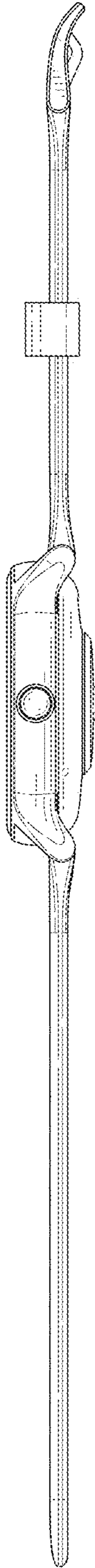


FIG. 6



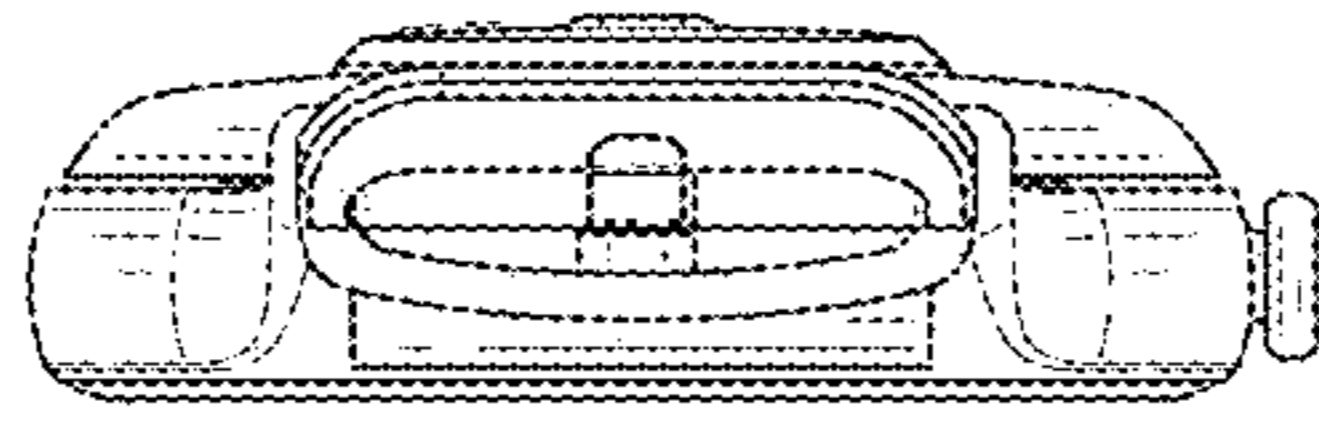


FIG. 7

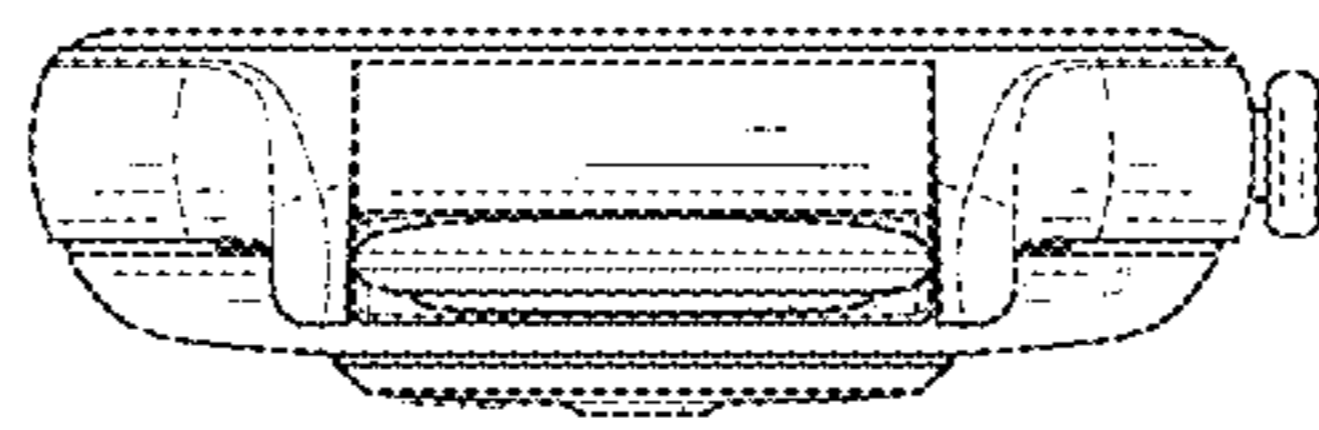


FIG. 8

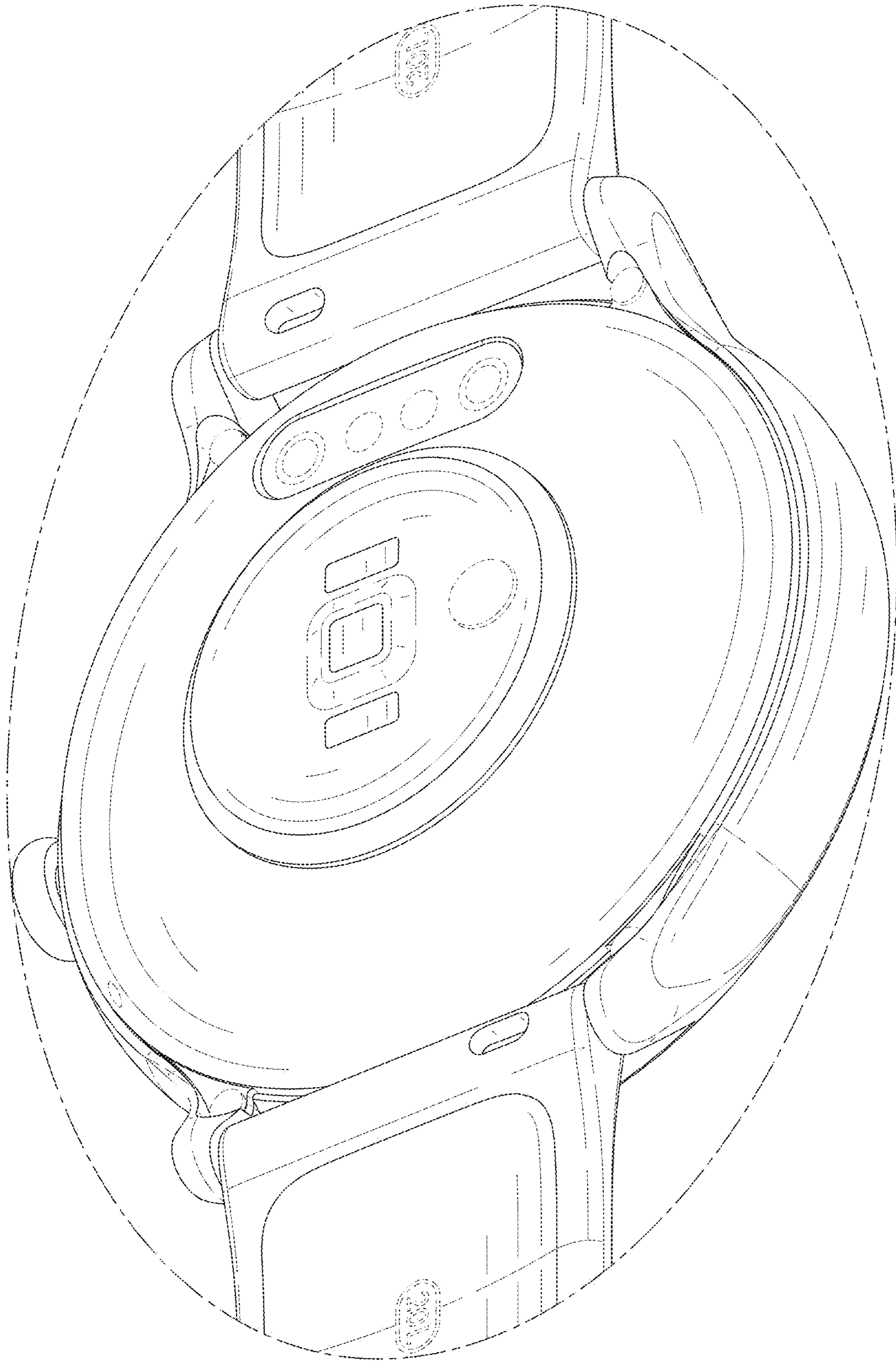


FIG. 9