



US00D962930S

(12) **United States Design Patent** (10) **Patent No.:** **US D962,930 S**
Akana et al. (45) **Date of Patent:** **** Sep. 6, 2022**

(54) **ELECTRONIC DEVICE**

(71) Applicant: **Apple Inc.**, Cupertino, CA (US)

(72) Inventors: **Jody Akana**, San Francisco, CA (US); **Molly Anderson**, San Francisco, CA (US); **Bartley K. Andre**, Palo Alto, CA (US); **Shota Aoyagi**, San Francisco, CA (US); **Anthony Michael Ashcroft**, San Francisco, CA (US); **Marine C. Bataille**, San Francisco, CA (US); **Jeremy Bataillou**, San Francisco, CA (US); **Abidur Rahman Chowdhury**, San Francisco, CA (US); **Clara Geneviève Marine Courtaigne**, Palo Alto, CA (US); **Markus Diebel**, San Francisco, CA (US); **Jonathan Gomez Garcia**, San Francisco, CA (US); **M. Evans Hankey**, San Francisco, CA (US); **Julian Hoenig**, San Francisco, CA (US); **Richard P. Howarth**, San Francisco, CA (US); **Jonathan P. Ive**, San Francisco, CA (US); **Julian Jaede**, San Francisco, CA (US); **Duncan Robert Kerr**, San Francisco, CA (US); **Peter Russell-Clarke**, San Francisco, CA (US); **Benjamin Andrew Shaffer**, San Jose, CA (US); **Joe Sung-Ho Tan**, San Francisco, CA (US); **Clement Tissandier**, San Francisco, CA (US); **Eugene Antony Whang**, San Francisco, CA (US)

(73) Assignee: **Apple Inc.**, Cupertino, CA (US)

(**) Term: **15 Years**

(21) Appl. No.: **29/747,246**

(22) Filed: **Aug. 20, 2020**

(51) **LOC (13) Cl.** **14-02**

(52) **U.S. Cl.**
USPC **D14/344**

(58) **Field of Classification Search**

USPC ... D14/126-130, 138, 138 R, 144, 300, 341, D14/344, 358, 388, 485-495, 218;
(Continued)

(56) **References Cited**

U.S. PATENT DOCUMENTS

D728,624 S * 5/2015 Akana D14/496
D741,726 S * 10/2015 Akana D10/70
(Continued)

FOREIGN PATENT DOCUMENTS

JP D1601983 4/2018

OTHER PUBLICATIONS

Apple Watch Blood Oxygen Monitoring Feature Found in iOS 14 Code, first available Mar. 9, 2020, macrumors.com, [online], [site visited Mar. 20, 2022], Available from internet URL: <https://www.macrumors.com/2020/03/09/apple-watch-blood-oxygen-monitoring/> (Year: 2020).*

(Continued)

Primary Examiner — Samantha Q Lawrence

Assistant Examiner — Holly M Rodriguez

(74) *Attorney, Agent, or Firm* — Sterne, Kessler, Goldstein & Fox P.L.L.C.

(57) **CLAIM**

The ornamental design for an electronic device, as shown and described.

DESCRIPTION

FIG. 1 is a bottom front perspective view of an electronic device showing the claimed design;
FIG. 2 is a bottom rear perspective view thereof;
FIG. 3 is a front view thereof;
FIG. 4 is a rear view thereof;
FIG. 5 is a left side view thereof;
FIG. 6 is a right side view thereof;
FIG. 7 is a top view thereof;

(Continued)

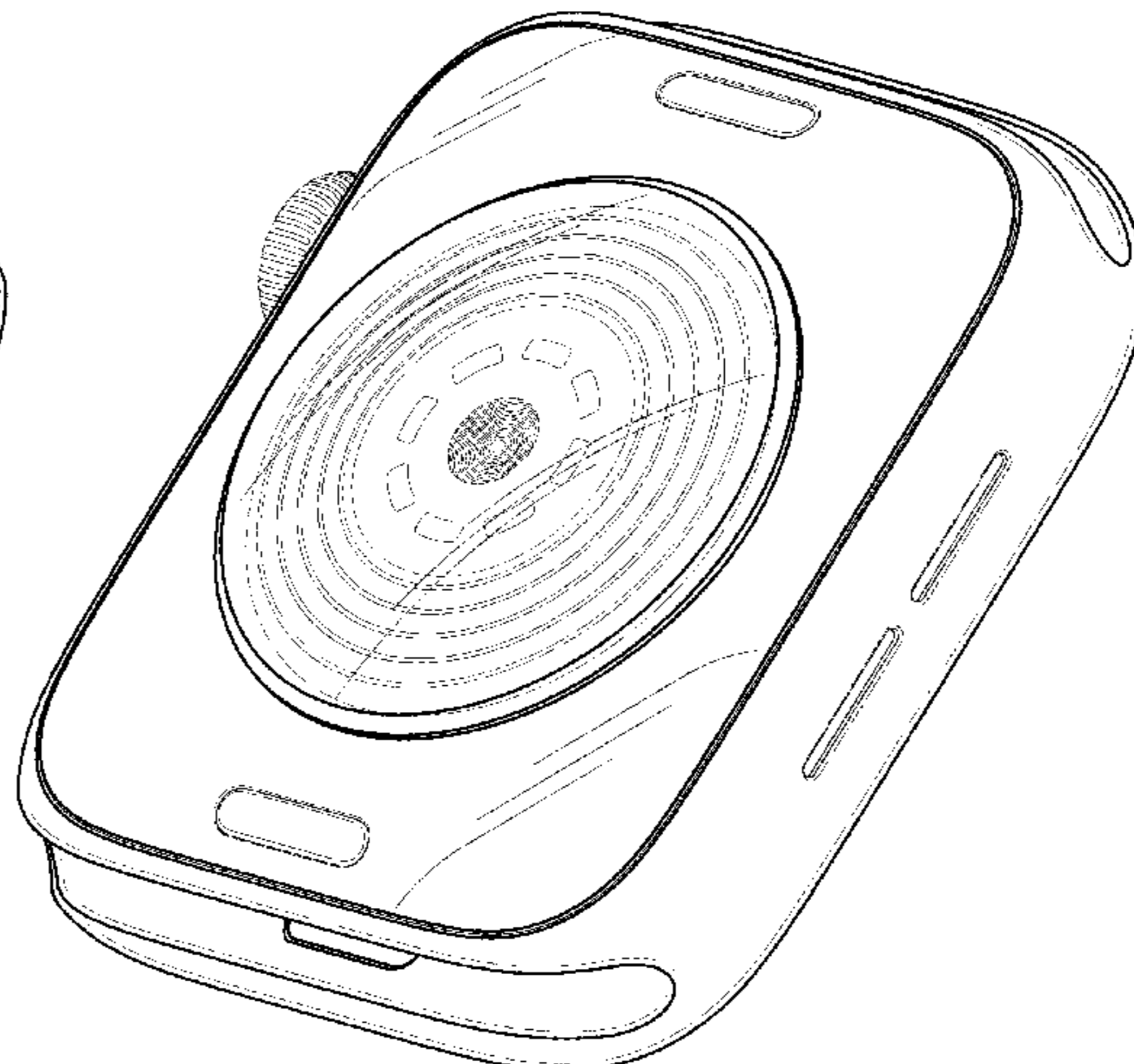
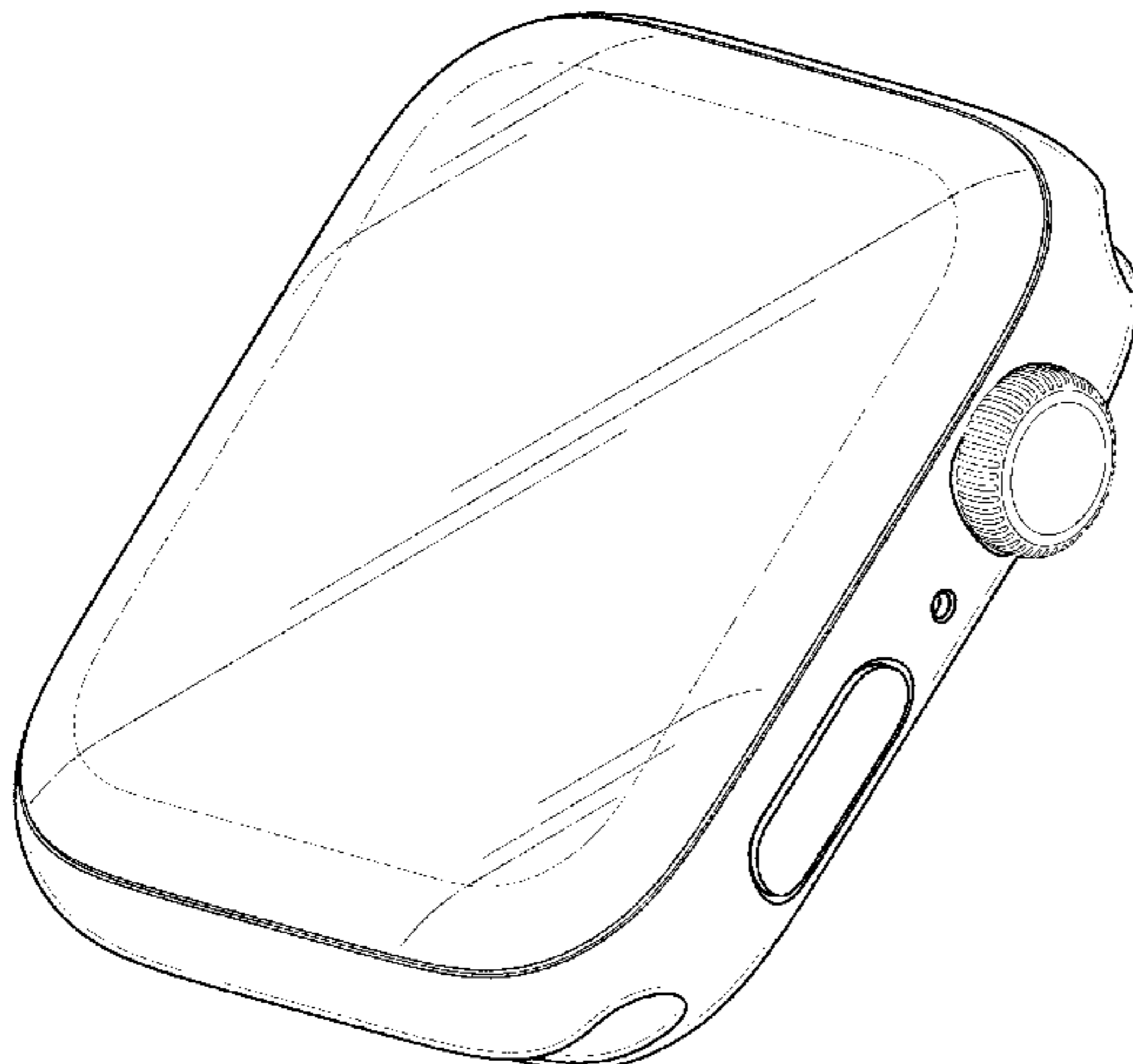


FIG. 8 is a bottom view thereof; and, FIG. 9 is a bottom front perspective view thereof showing the electronic device in an environment in which it may be used.

The broken lines in the figures show environment that form no part of the claimed design.

1 Claim, 7 Drawing Sheets

(58) **Field of Classification Search**

USPC ... D10/30-39, 40, 41, 46, 70, 79, 98, 106.5, D10/106.6, 106.92, 106.94, 114.6, 123, D10/125-128, 131; D11/1-4, 26, 40-41, D11/93, 94, 78.1, 79, 86; D24/167-169, D24/186-187, 164; D21/324-329
 CPC A41D 1/002; A41D 19/0034; G06F 1/08; G06F 1/10; G06F 1/14; G06F 1/1626; G06F 1/1628; G06F 1/163; G06F 1/1635; G06F 1/3203; G06F 1/1613; G06F 2200/1633; G06F 3/0488; G06F 3/04886; G06F 3/044; G06F 3/0412; G06F 3/0416; G06Q 20/10; G06Q 20/12; G06Q 20/108; G06Q 20/145; H04B 1/3833; H04B 1/385; H04B 1/3888; H04M 1/02; H04M 1/03; H04M 1/04; H04M 1/05; H04M 1/667; H04M 1/6058; Y02B 60/1217

See application file for complete search history.

(56) **References Cited**

U.S. PATENT DOCUMENTS

D756,824 S 5/2016 Akana et al.
 D816,524 S 5/2018 Akana et al.

D882,563 S * 4/2020 Akana D14/344
 D882,565 S * 4/2020 Akana D14/344
 D882,566 S * 4/2020 Akana D14/344
 D883,279 S * 5/2020 Akana D14/344
 D894,192 S * 8/2020 Akana D14/344
 D899,429 S * 10/2020 Akana D14/439
 D900,809 S * 11/2020 Gao D14/344
 D917,470 S * 4/2021 Akana D14/344
 D919,617 S * 5/2021 Akana D14/344
 D924,240 S * 7/2021 Akana D14/344
 D933,065 S * 10/2021 Hong D14/344
 D939,512 S * 12/2021 Akana D14/439
 D947,842 S * 4/2022 Akana D14/344
 2021/0392422 A1* 12/2021 Crowley G06F 3/016

OTHER PUBLICATIONS

Apple Watch SE review: an almost great cheaper option, first available Oct. 8, 2020, theguardian.com, [online], [site visited Mar. 20, 2022], Available from internet URL: <https://www.theguardian.com/technology/2020/oct/08/apple-watch-se-review-an-almost-great-cheaper-option> (Year: 2020).*

Apple Watch Series 6 and Apple Watch SE review: Small steps forward, first available Oct. 5, 2020, amazon.com, [online], [site visited Mar. 20, 2022], Available from internet URL: <https://www.hardwarezone.com.sg/feature-apple-watch-series-6-se-review-singapore-price> (Year: 2020).*

Digital Sport Watch Smartwatches Cobrafly IWO 10, first available Sep. 26, 2019, amazon.ae, [online], [site visited Mar. 20, 2022], Available from internet URL: <https://www.amazon.ae/Digital-Watches-Cobrafly-Bluetooth-Smartwatch/dp/B07YF38YBQ> (Year: 2019).*

Your Apple Watch: Apple Watch SE, apple.com, [online], [site visited Mar. 20, 2022], Available from internet URL: <https://support.apple.com/guide/watch/your-apple-watch-apd8b5deac7b/watchos> (Year: 2022).*

* cited by examiner

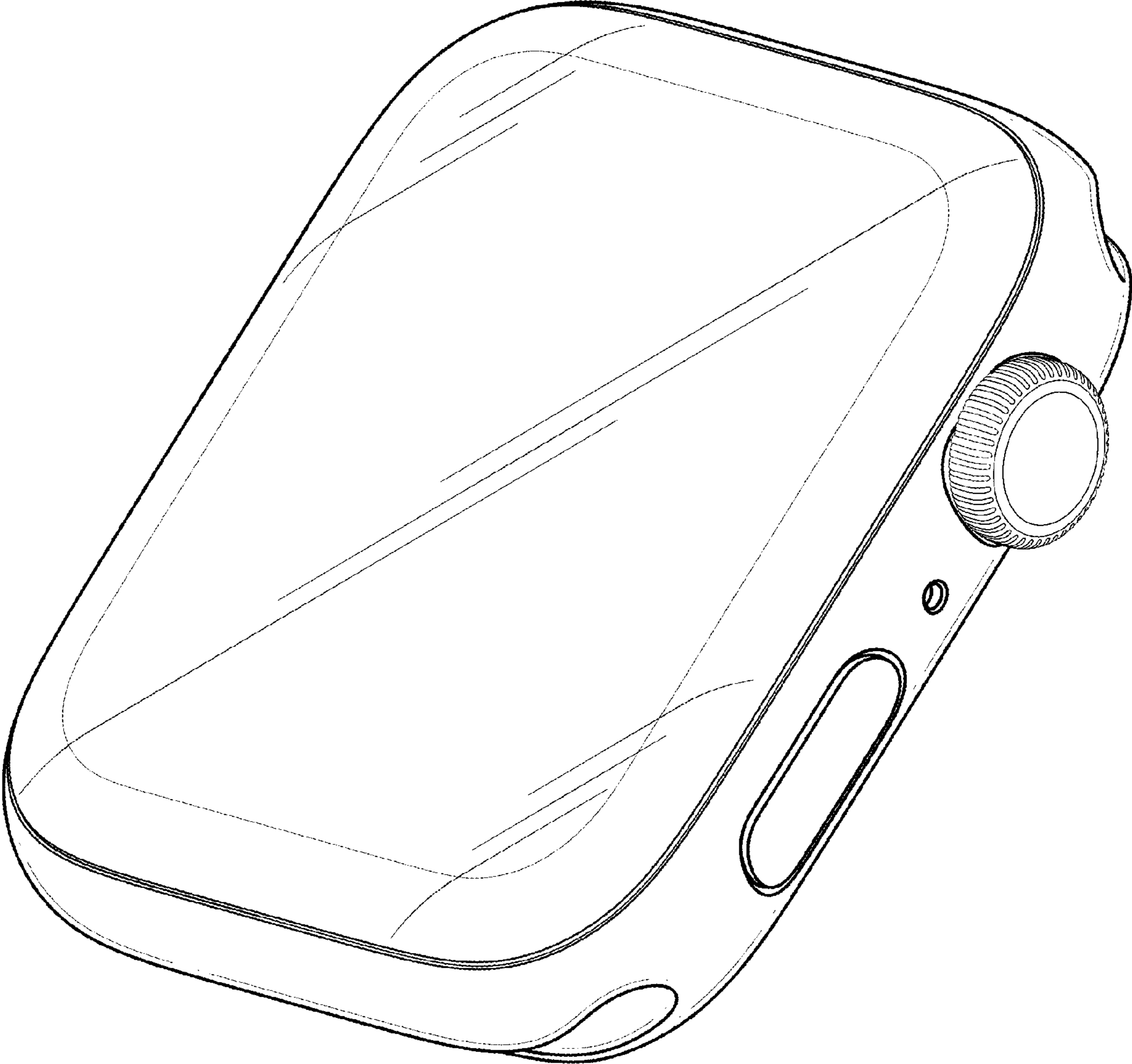


FIG. 1

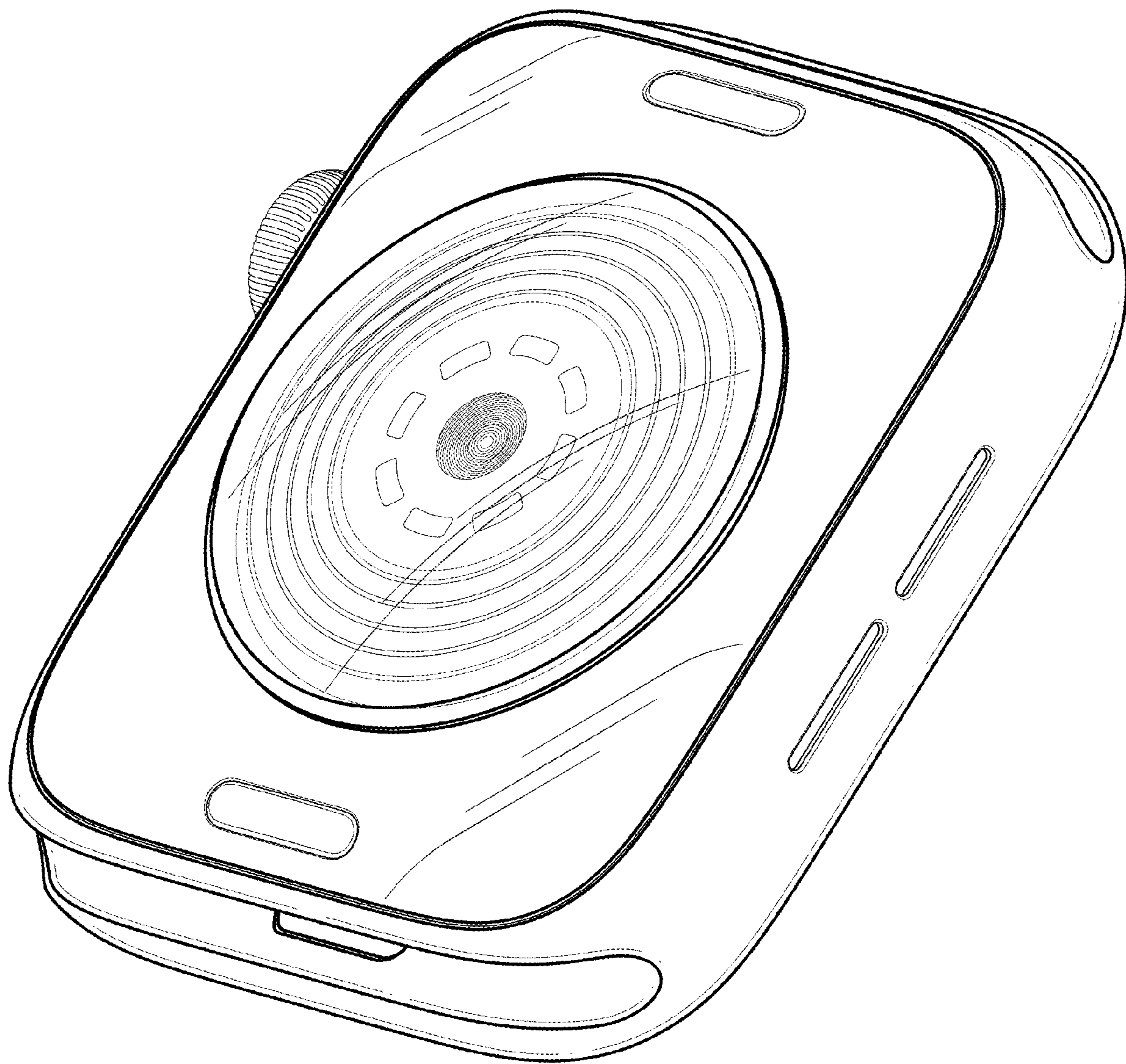


FIG. 2

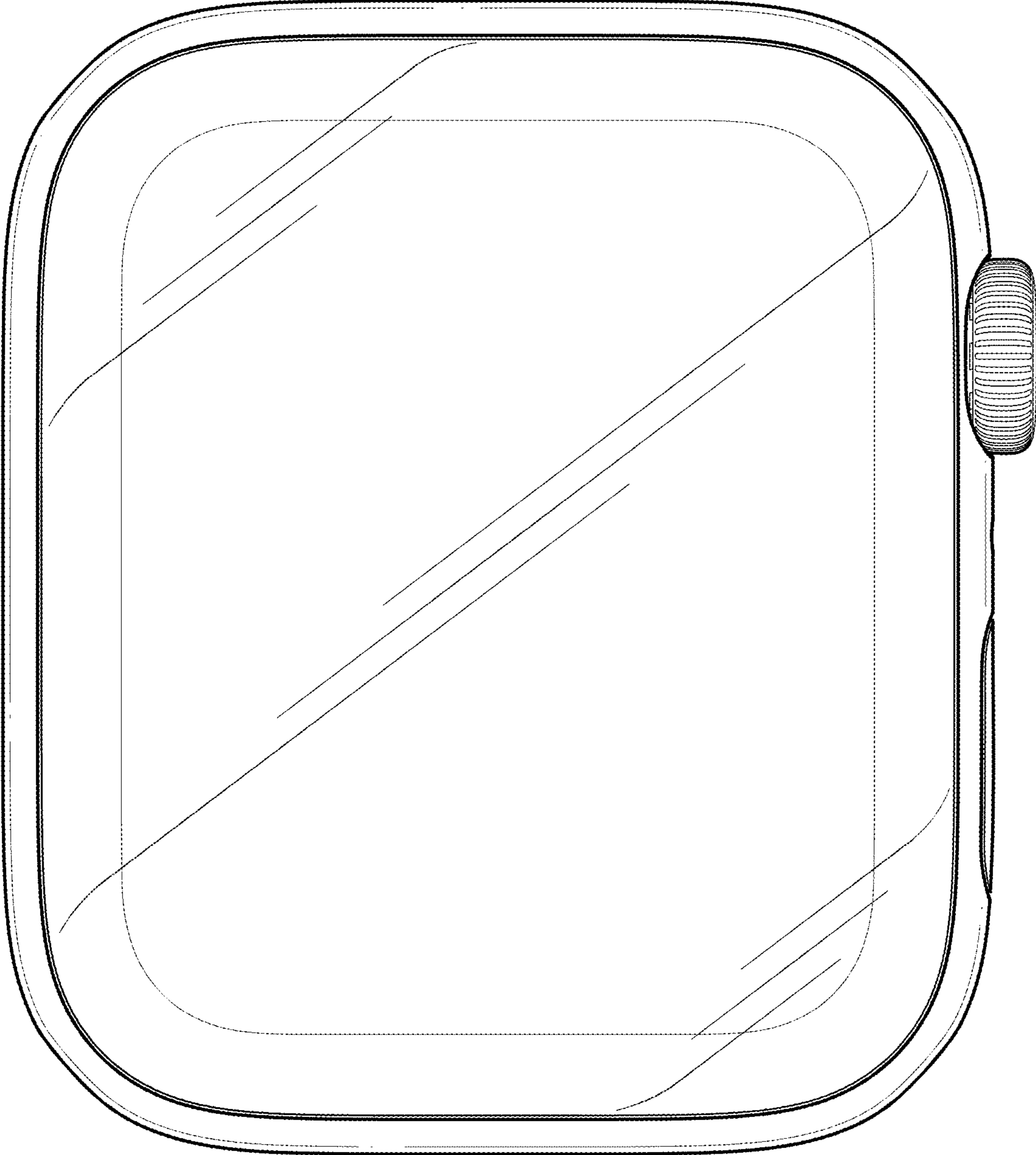


FIG. 3

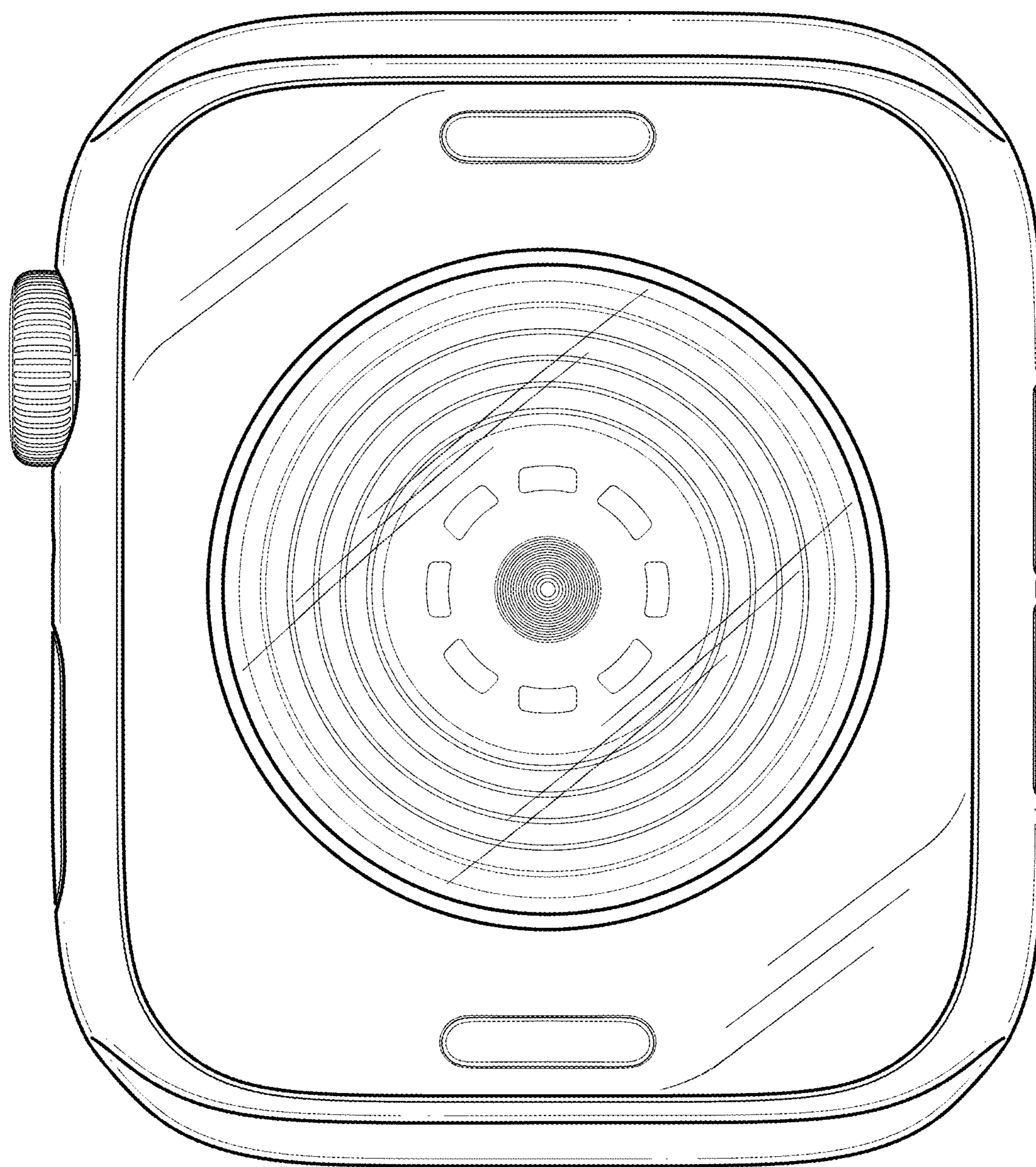


FIG. 4

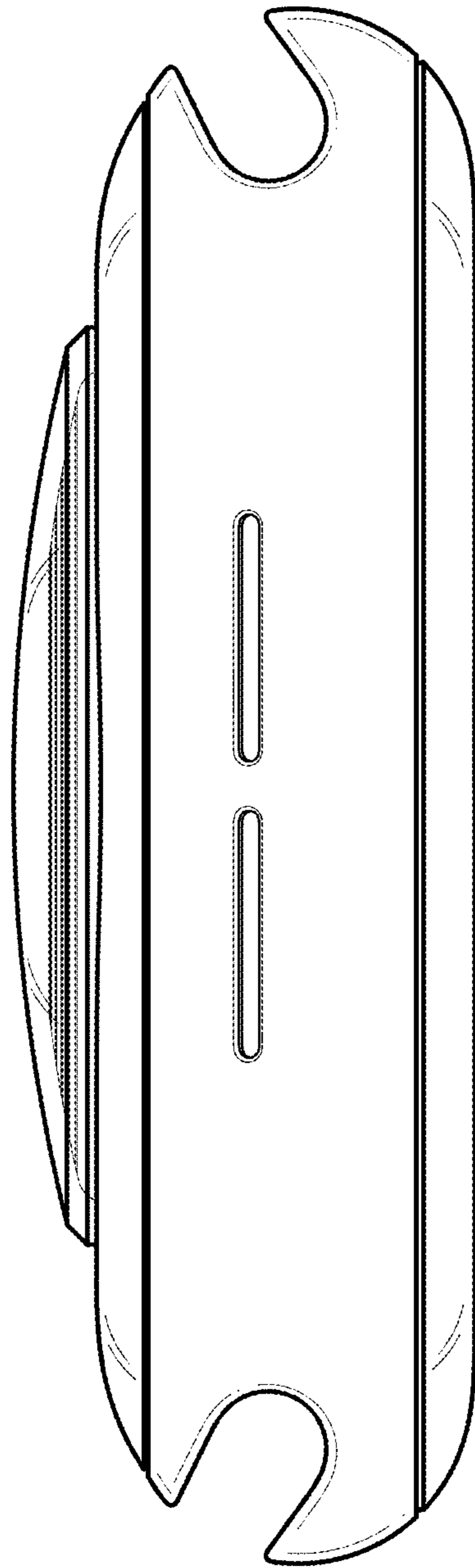


FIG. 5

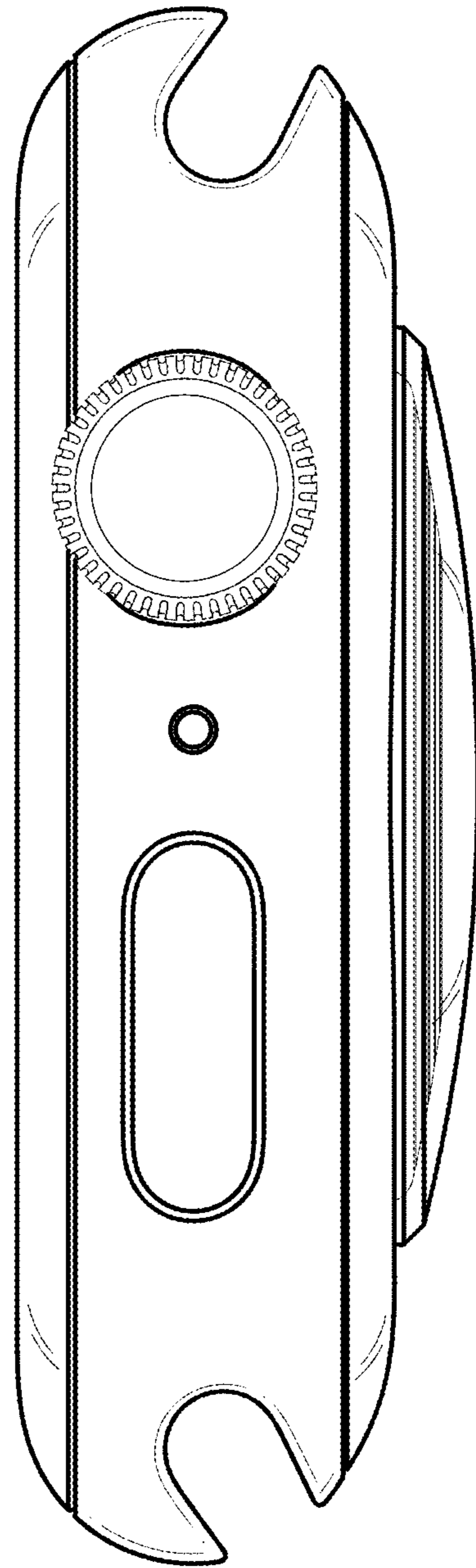


FIG. 6

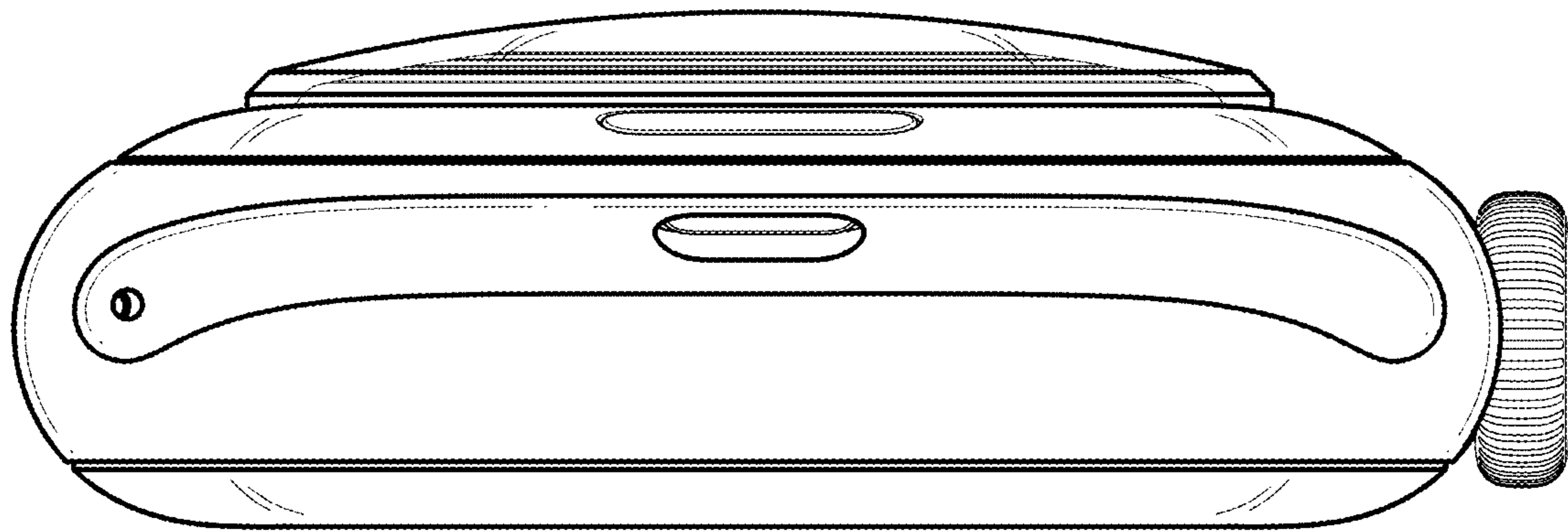


FIG. 7

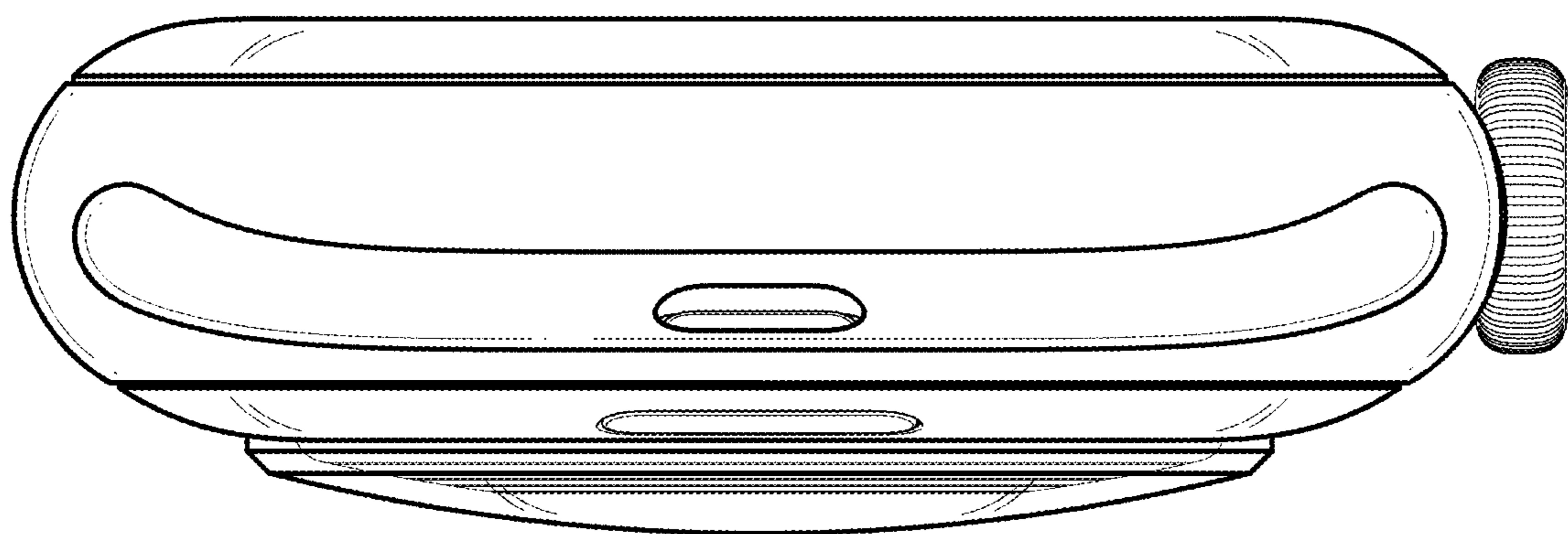


FIG. 8

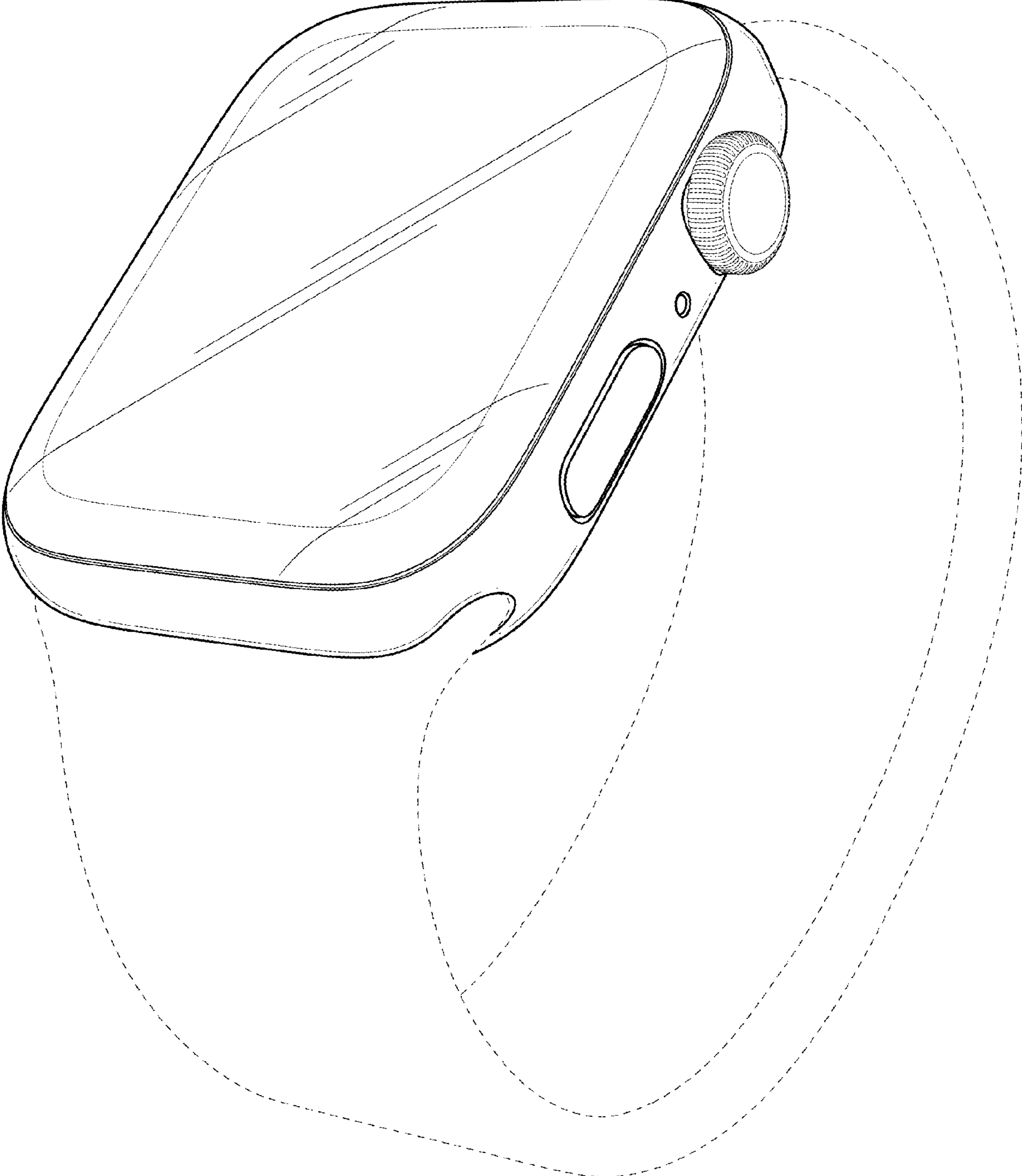


FIG. 9