

US00D962929S

(12) **United States Design Patent** (10) **Patent No.:** **US D962,929 S**
He et al. (45) **Date of Patent:** **** Sep. 6, 2022**

(54) **WEARABLE DEVICE**

(71) Applicant: **EMBR Labs Inc.**, Boston, MA (US)

(72) Inventors: **Xuchen He**, Malden, MA (US);
Benjamin Flaumenhaft, Cambridge,
MA (US); **Heather Ritchie**, Rockport,
MA (US); **Jeanette Numbers**,
Providence, RI (US); **Seunghyuk Noh**,
Providence, RI (US); **Catherine**
Jameson, Providence, RI (US); **Nari**
Shin, Providence, RI (US)

(73) Assignee: **EMBR Labs Inc.**, Boston, MA (US)

(**) Term: **15 Years**

(21) Appl. No.: **29/730,441**

(22) Filed: **Apr. 3, 2020**

(51) **LOC (13) Cl.** **14-02**

(52) **U.S. Cl.**
USPC **D14/344**; D10/70

(58) **Field of Classification Search**
USPC D14/138 G, 138 AB, 341, 345, 138 R,
D14/138, 138 AD, 144, 348; D10/32, 31,
D10/38, 30; D11/3; D2/639
CPC .. A41D 1/002; G06F 1/04; G06F 1/08; G06F
1/10; G06F 1/14; G06F 1/1626; G06F
1/1628; G06F 1/163; G06F 1/1635; G06F
1/3203; G06Q 20/10; G06Q 20/12; G06Q
20/108; G06Q 20/145; H04B 1/3833;
H04B 1/3888; H04M 1/02; H04M 1/03;
H04M 1/04; H04M 1/05; H04M 1/667;
H04M 1/6058; Y02B 60/1217

See application file for complete search history.

(56) **References Cited**

U.S. PATENT DOCUMENTS

D417,236 S * 11/1999 Burrus D10/31
D488,142 S * 4/2004 Wang D14/138 AB
D526,916 S * 8/2006 Oas D10/70

D537,004 S * 2/2007 Eden D10/70
D612,352 S * 3/2010 Zhou D14/138 AB
D624,518 S * 9/2010 Li D14/138 AD
D700,080 S * 2/2014 Broadbent D10/65
D730,750 S 6/2015 Ménard
D768,623 S * 10/2016 Zou D14/344
D790,373 S * 6/2017 Daoura D10/70
9,734,704 B2 8/2017 Lee
D809,511 S * 2/2018 Mistry D14/344
D826,748 S * 8/2018 Kim D10/70
D830,874 S 10/2018 Shames et al.

(Continued)

OTHER PUBLICATIONS

Introducing Embr Wave 2: Take Control with Temperature, YouTube,
publication date Apr. 14, 2021, (online) URL: <https://www.youtube.com/watch?v=IF6UY9hhKOE> (Year: 2021).*

Primary Examiner — George D. Kirschbaum
Assistant Examiner — Antoinette Martine Suiter
(74) *Attorney, Agent, or Firm* — Wolf, Greenfield &
Sacks, P.C.

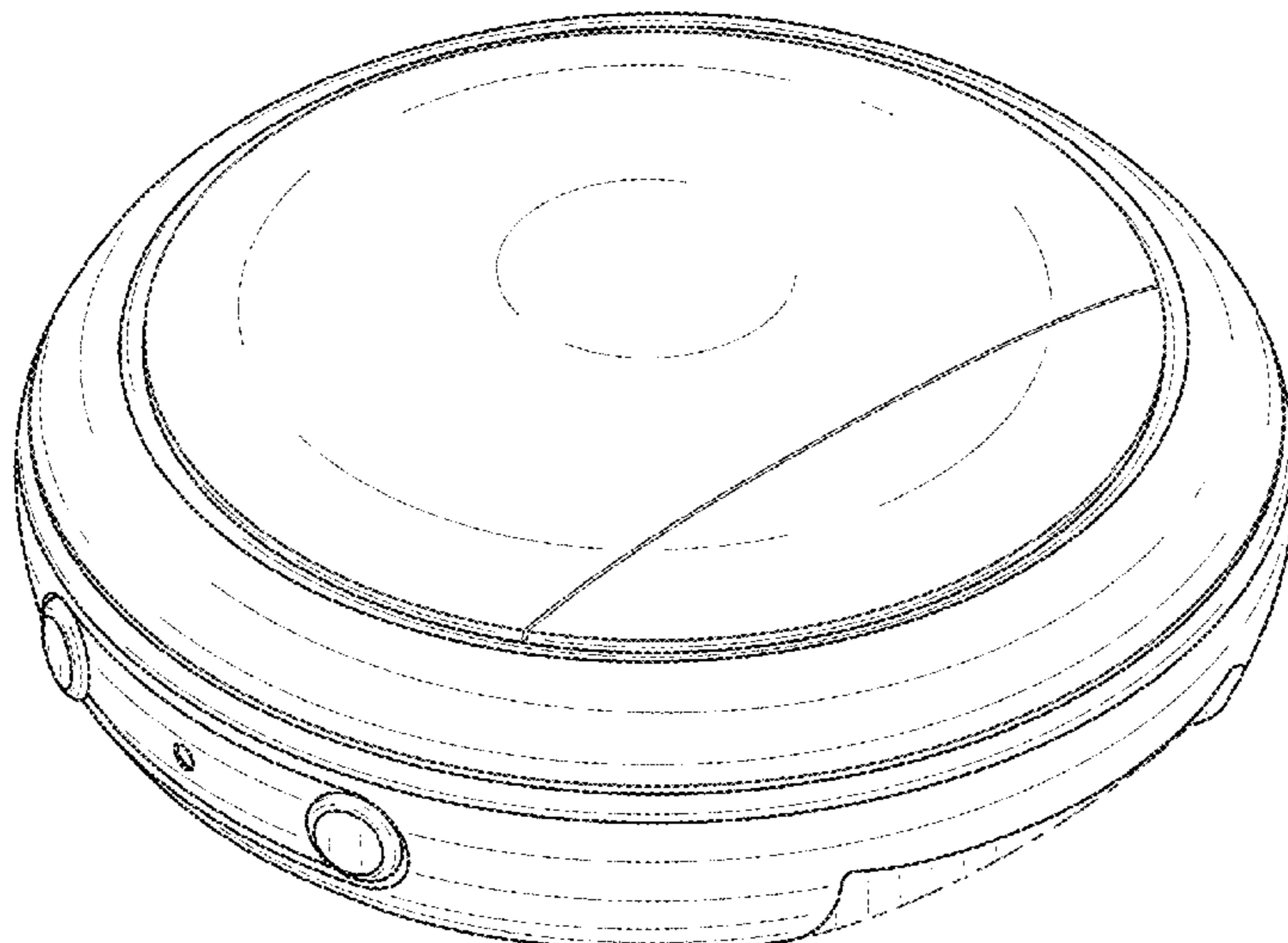
(57) **CLAIM**

The ornamental design for a wearable device, as shown and
described.

DESCRIPTION

FIG. 1 is a top, front, and left side perspective view of a
wearable device according to our new design;
FIG. 2 is a top plan view thereof;
FIG. 3 is a left side elevation view thereof;
FIG. 4 is a bottom plan view thereof;
FIG. 5 is a right side elevation view thereof;
FIG. 6 is a front elevation view thereof; and,
FIG. 7 is a rear elevation view thereof.
The dot-dash broken lines represent boundaries of the
claimed design and form no part of the claimed design. The
dash-dash broken lines depict portions of the wearable
device that form no part of the claimed design.

1 Claim, 3 Drawing Sheets



(56)

References Cited

U.S. PATENT DOCUMENTS

D834,430 S * 11/2018 Schaad D10/30
D838,855 S * 1/2019 Lumme D24/167
D868,778 S * 12/2019 Reivo D14/344
D890,752 S * 7/2020 Huang D14/358
D918,072 S * 5/2021 Umair D10/70
D928,150 S * 8/2021 Maruyama D14/358
2016/0192193 A1* 6/2016 Lee H04W 12/08
455/411
2018/0331122 A1* 11/2018 Li G09F 9/30
2018/0338720 A1* 11/2018 Gupta G06F 3/015
2021/0117078 A1* 4/2021 Yang G06F 3/04883

* cited by examiner

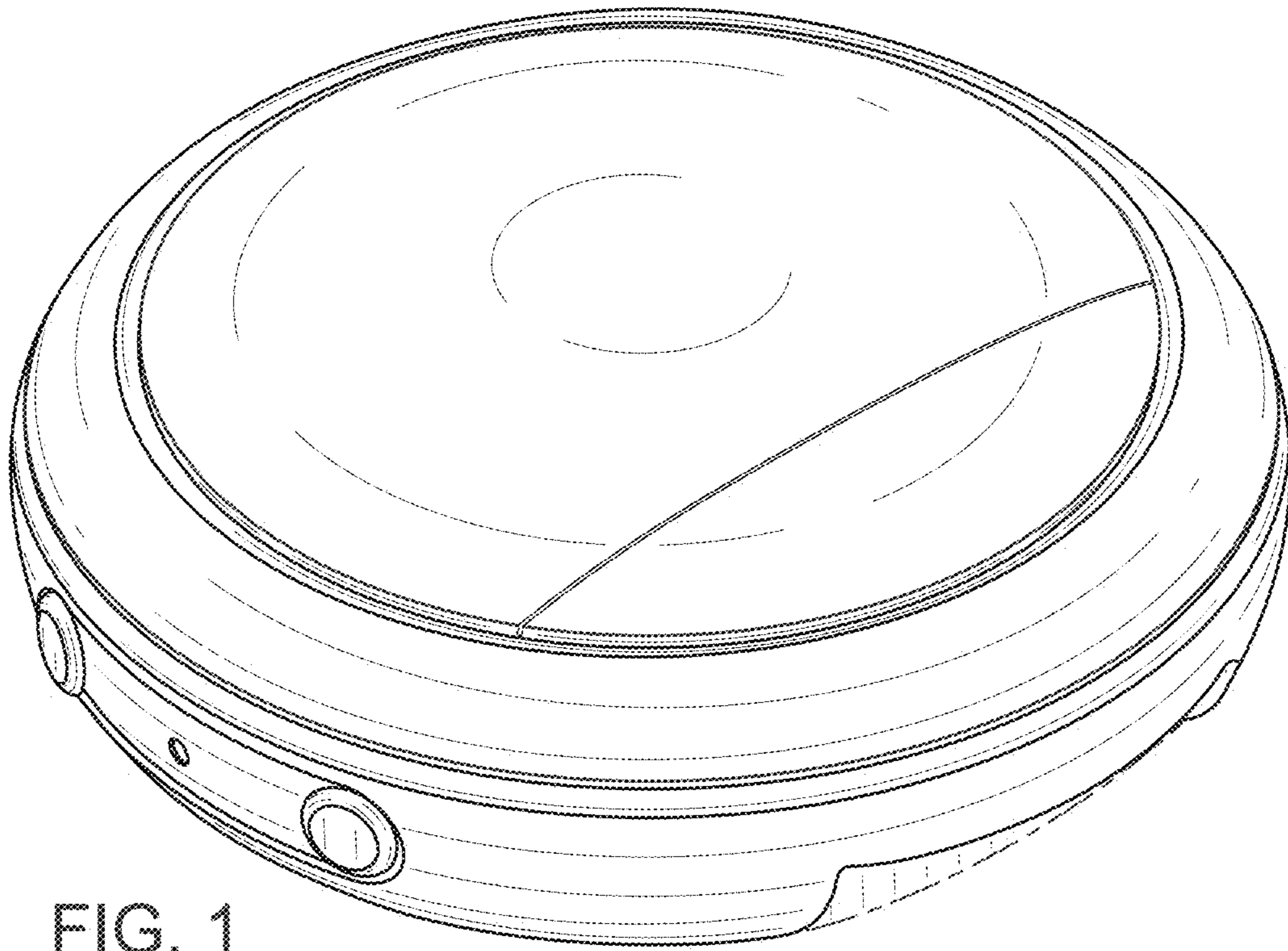


FIG. 1

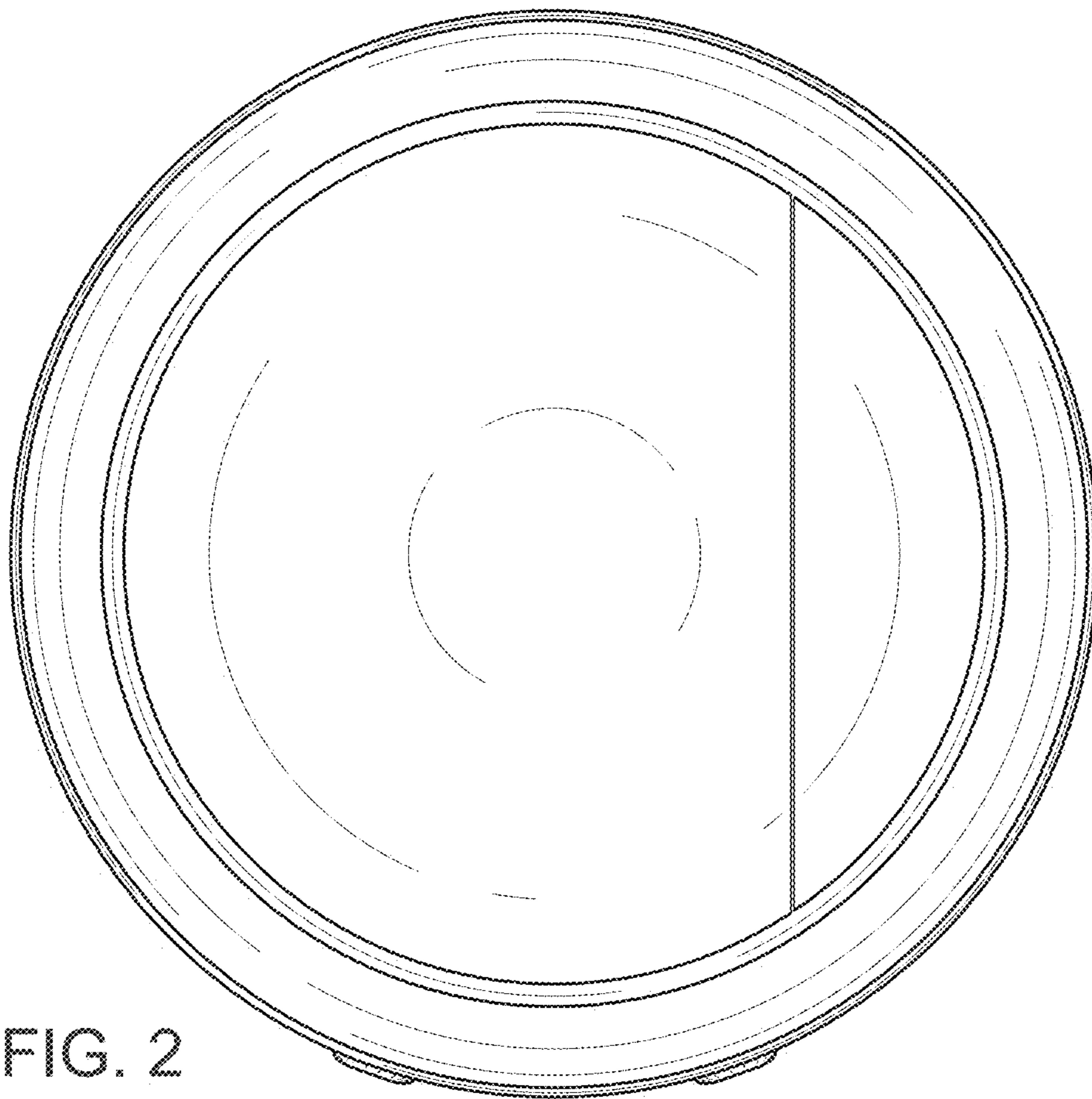


FIG. 2

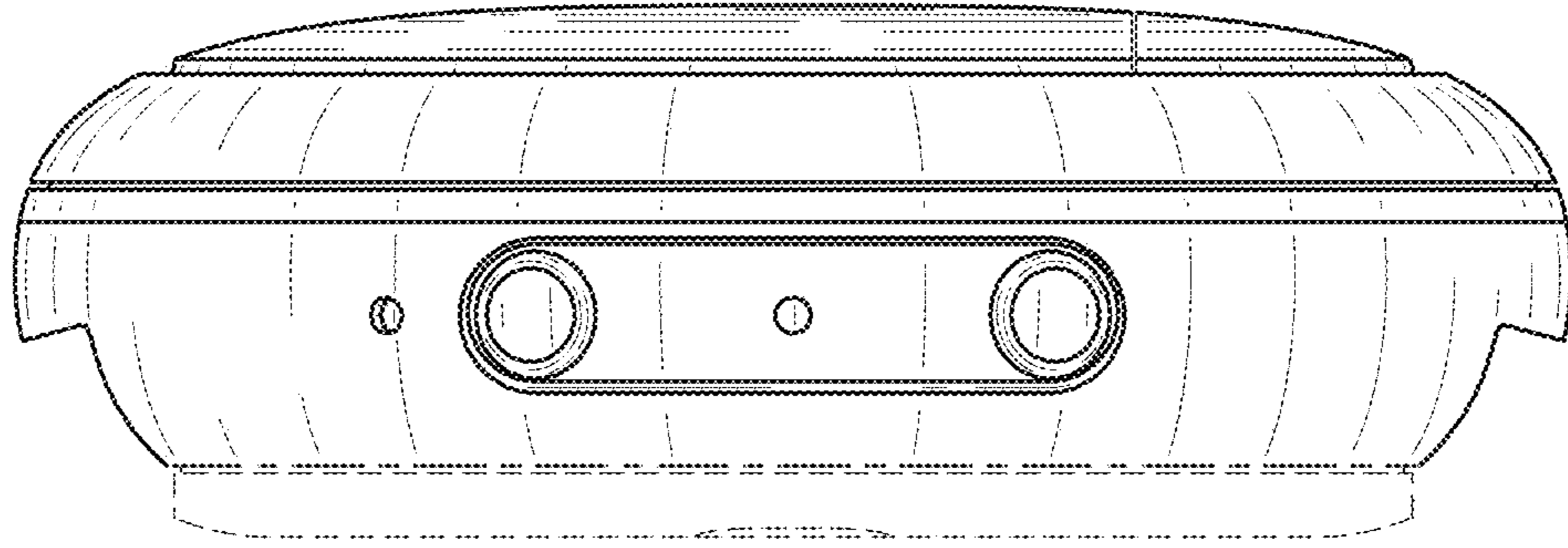


FIG. 3

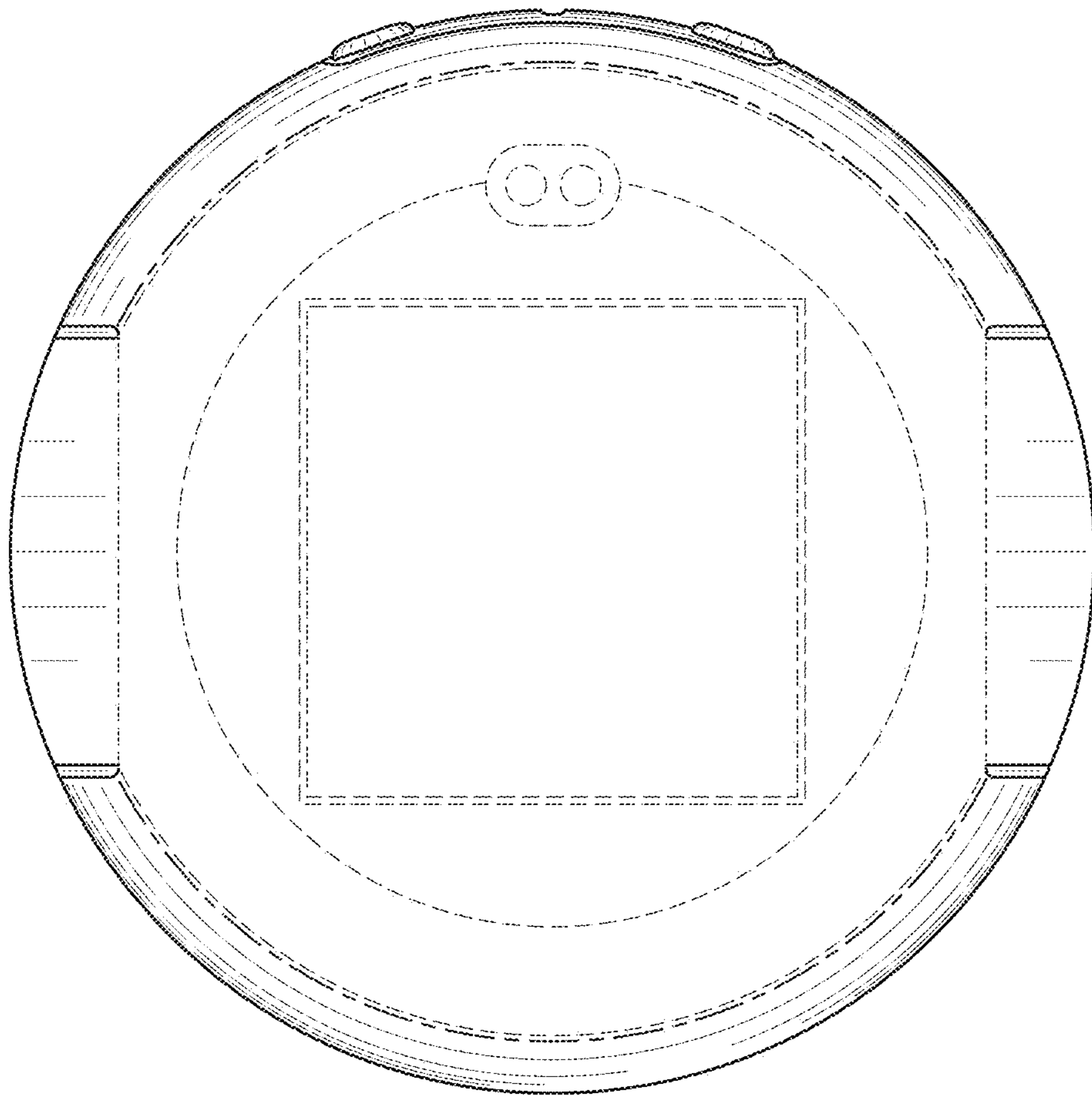


FIG. 4

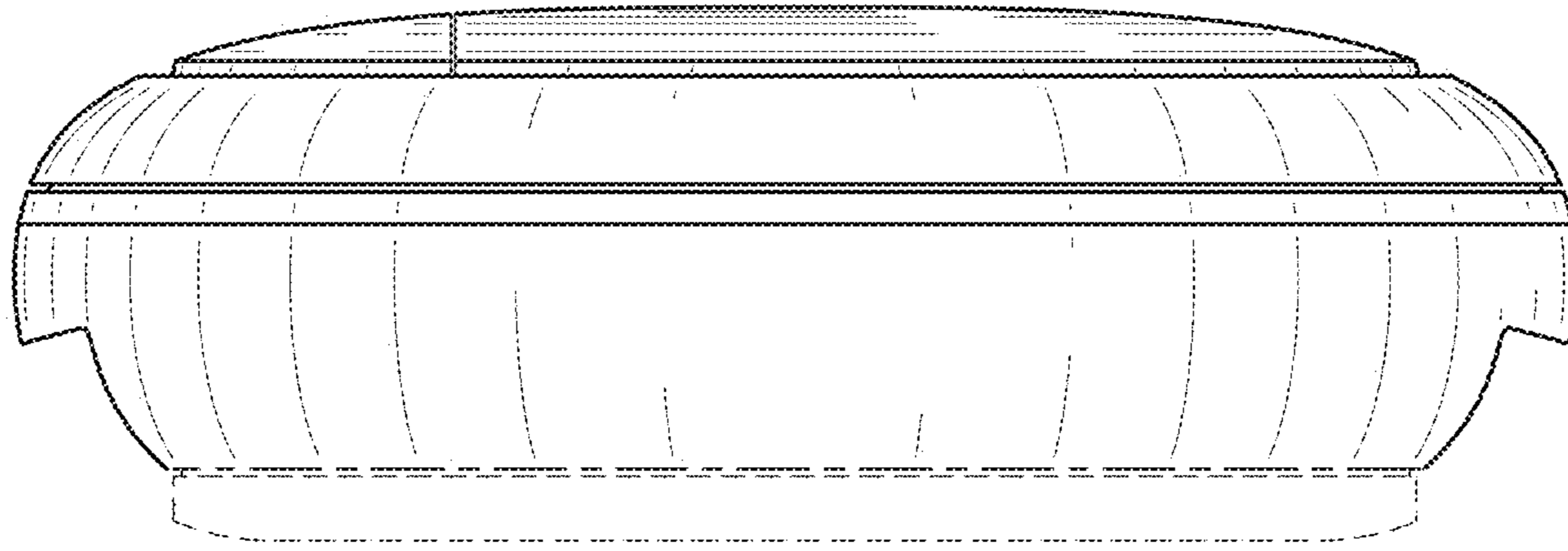


FIG. 5

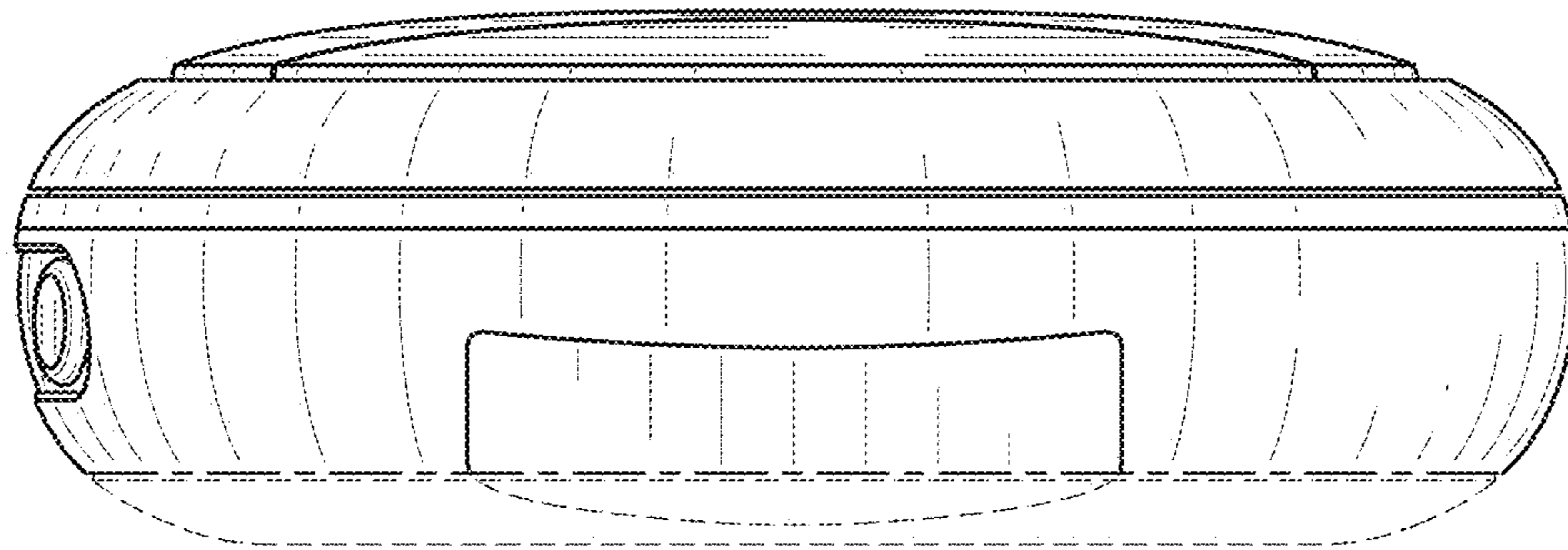


FIG. 6

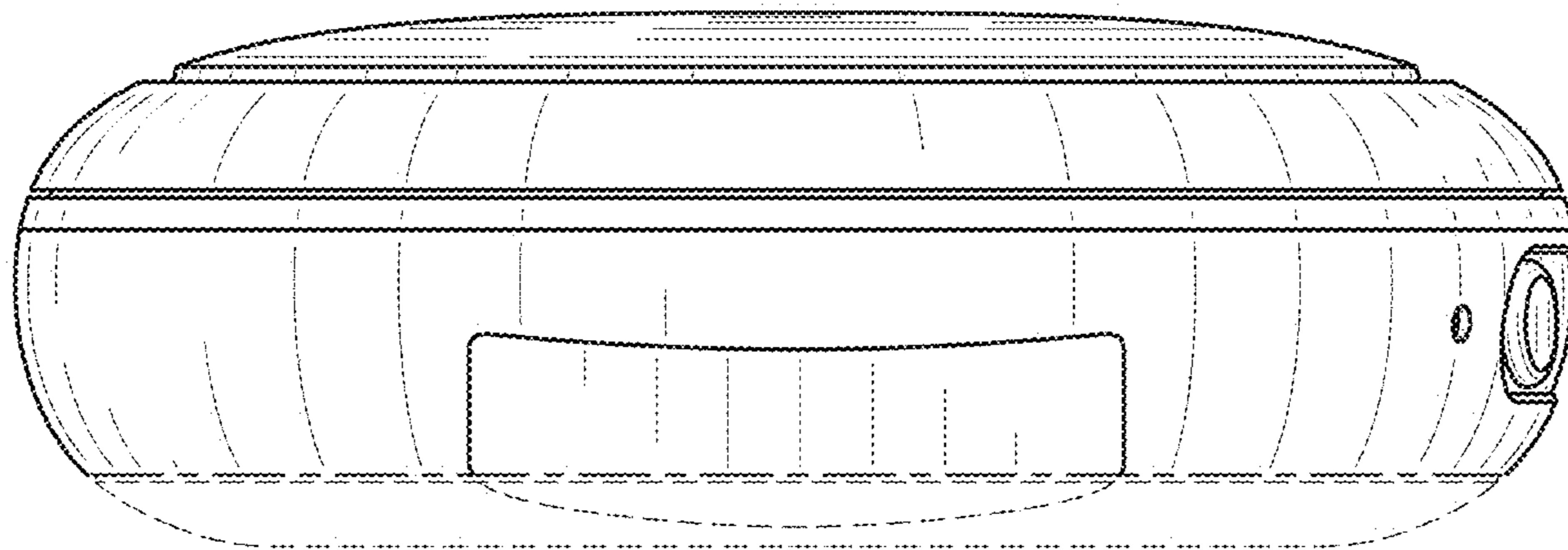


FIG. 7