



US00D962926S

(12) **United States Design Patent**
Zhong

(10) **Patent No.:** **US D962,926 S**
(45) **Date of Patent:** **** Sep. 6, 2022**

(54) **TABLET COMPUTER**

FOREIGN PATENT DOCUMENTS

(71) Applicant: **Getac Technology Corporation,**
Hsinchu County (TW)

CN 302289831 * 1/2013
CN 305938804 * 7/2020

(Continued)

(72) Inventor: **Shi-Liang Zhong,** Taipei (TW)

OTHER PUBLICATIONS

(73) Assignee: **GETAC TECHNOLOGY CORPORATION,** Hsinchu County (TW)

Getac V110 Rugged Convertible Durable Outdoor Laptop, date first available: Jul. 21, 2014, [retrieved Mar. 10, 2022], Retrieved from Internet, URL: <<https://www.amazon.com/Getac-V110-Convertible-Durable-Outdoor/dp/B00M09LRYM>> (Year: 2014).*

(Continued)

(**) Term: **15 Years**

(21) Appl. No.: **29/725,566**

(22) Filed: **Feb. 26, 2020**

Primary Examiner — Messina L Smith

Assistant Examiner — Aram Kwon

(51) **LOC (13) Cl.** **14-02**

(74) *Attorney, Agent, or Firm* — Locke Lord LLP; Tim Tingkang Xia, Esq.

(52) **U.S. Cl.**
USPC **D14/341**

(58) **Field of Classification Search**
USPC ... D14/126–127, 138 AA, 138 AB, 138 AC, D14/138 AD, 138 C, 138 G, 248, D14/315–318, 341–347, 371, 374; D6/308, 310; D10/50, 65, 70, 83, 87, 92, D10/98, 104.1; D18/6–7; D19/26, D19/59–60; D21/324, 329–330, 332; D12/114, 223

CPC ... H04M 1/0202; H04M 1/0266; H04M 1/725
See application file for complete search history.

(57) **CLAIM**

The ornamental design for a tablet computer, as shown and described.

DESCRIPTION

FIG. 1 is a front, top, right side perspective view of a tablet computer showing my new design; FIG. 2 is a front elevational view thereof; FIG. 3 is a rear elevational view thereof; FIG. 4 is a left side elevational view thereof; FIG. 5 is a right side elevational view thereof; FIG. 6 is a top plan view thereof; FIG. 7 is a bottom plan view thereof; FIG. 8 is a rear, top, left side perspective view thereof; and, FIG. 9 is a rear, bottom, left side perspective view thereof. The broken lines depict portions of the tablet computer in which the design is embodied that forms no part of the claimed design.

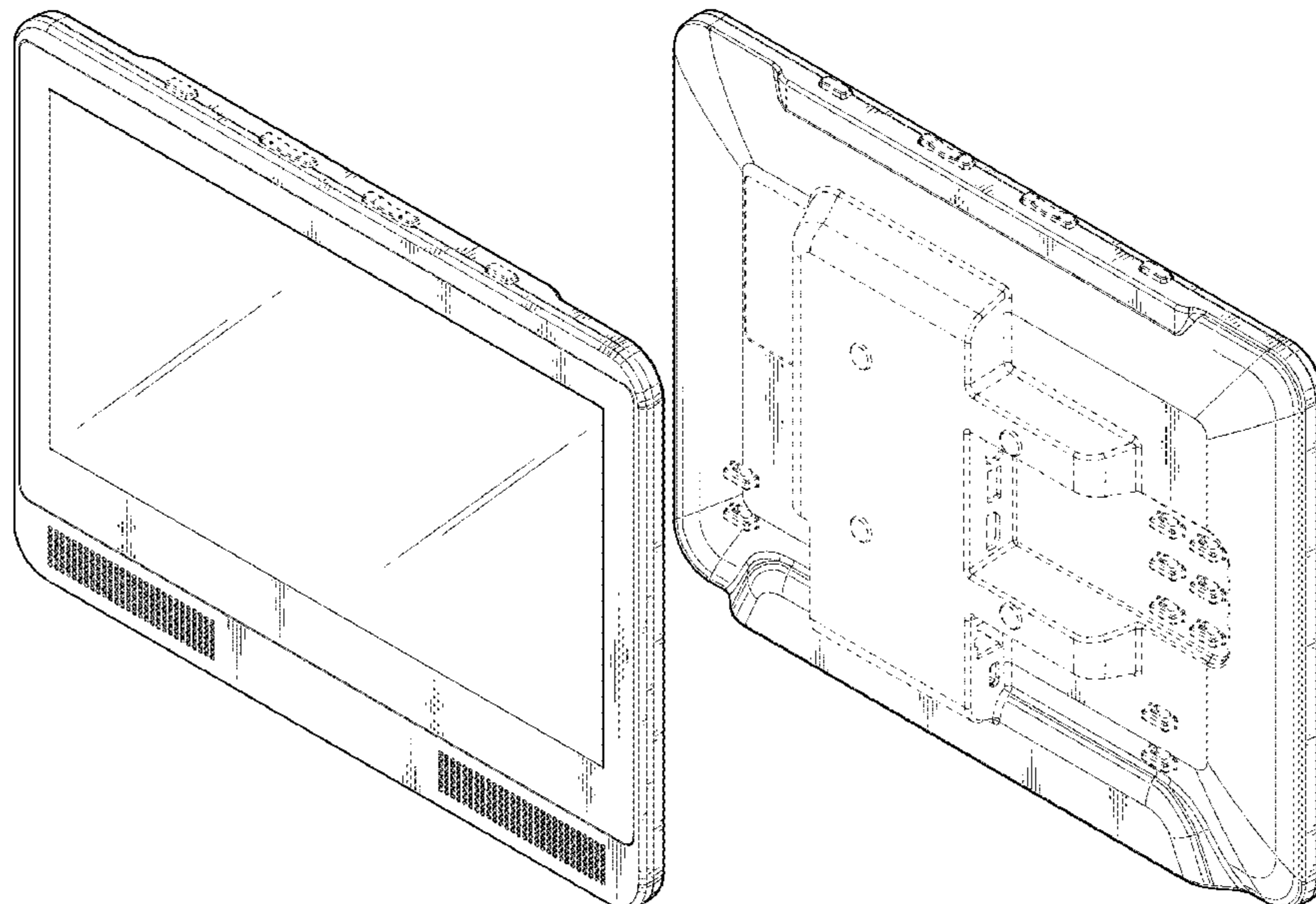
(56) **References Cited**

U.S. PATENT DOCUMENTS

D502,152 S	*	2/2005	Peng	D14/126
D503,160 S	*	3/2005	Peng	D14/129
D518,007 S	*	3/2006	Peng	D14/129
D518,009 S	*	3/2006	Peng	D14/129
D518,010 S	*	3/2006	Peng	D14/129
D518,799 S	*	4/2006	Peng	D14/126
D538,764 S	*	3/2007	Peng	D14/126

(Continued)

1 Claim, 8 Drawing Sheets



(56)

References Cited

U.S. PATENT DOCUMENTS

D540,761 S * 4/2007 Macey D14/126
D547,284 S * 7/2007 Hsiung D14/129
D571,560 S * 6/2008 Liu D14/126
D628,199 S * 11/2010 Yukikado D14/374
D675,614 S * 2/2013 Feng D14/341
D739,773 S * 9/2015 Kanenari D10/86
D746,280 S * 12/2015 Bajwa D14/341
D874,950 S * 2/2020 Gentle D10/50
D907,033 S * 1/2021 Luo D14/336
D908,122 S * 1/2021 Luo D14/336
D948,349 S * 4/2022 Liu D10/2
D955,238 S * 6/2022 Lenz D10/65

FOREIGN PATENT DOCUMENTS

EM 007711908-0001 * 3/2020
GB 9007711908-0001 * 2/2020

OTHER PUBLICATIONS

Getac F110 (2015) Review, Aug. 10, 2015, [retrieved Mar. 10, 2022], Retrieved from Internet, URL: <<https://www.pcmag.com/reviews/getac-f110-2015>> (Year: 2015).*

Getac K120 G2 ruggedized laptop review, Jul. 13, 2021, [retrieved Mar. 10, 2022], Retrieved from Internet, URL: <<https://www.techradar.com/reviews/getac-k120-g2-ruggedized-laptop>> (Year: 2021).*

Panasonic Toughbook A3, date not available, [retrieved Mar. 10, 2022], Retrieved from Internet, URL: <https://www.cdw.com/product/panasonic-toughbook-a3-tablet-android-9.0-pie-64-GB-10.1/6152322?c_correlation_id=e0776d67-d33b-472f-aeae-faa5bf5083cf&c_instance_id=74de0d96-4643-45b3-a75b%E2%80%A6>(Year: 2022).*

* cited by examiner

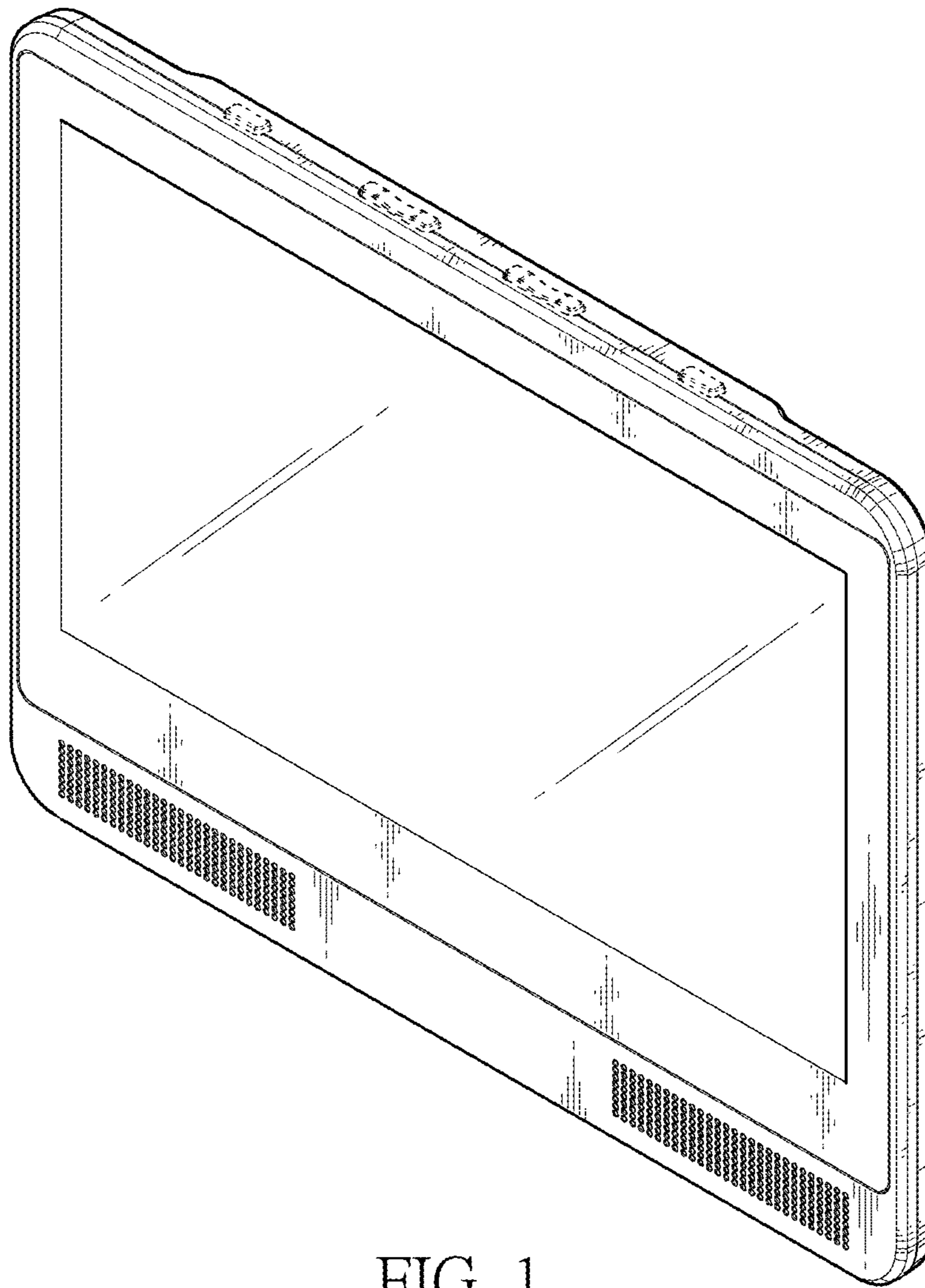


FIG. 1

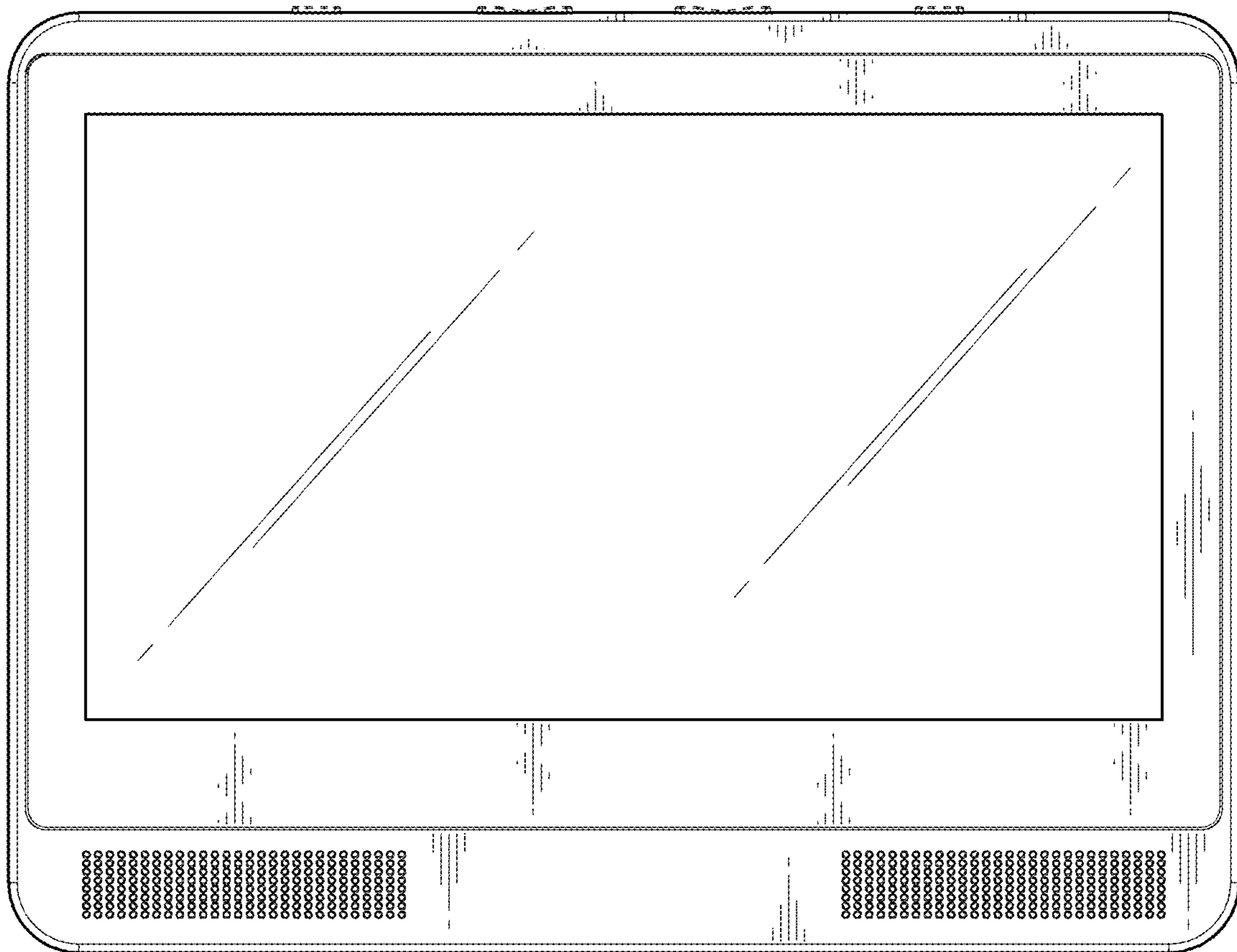


FIG. 2

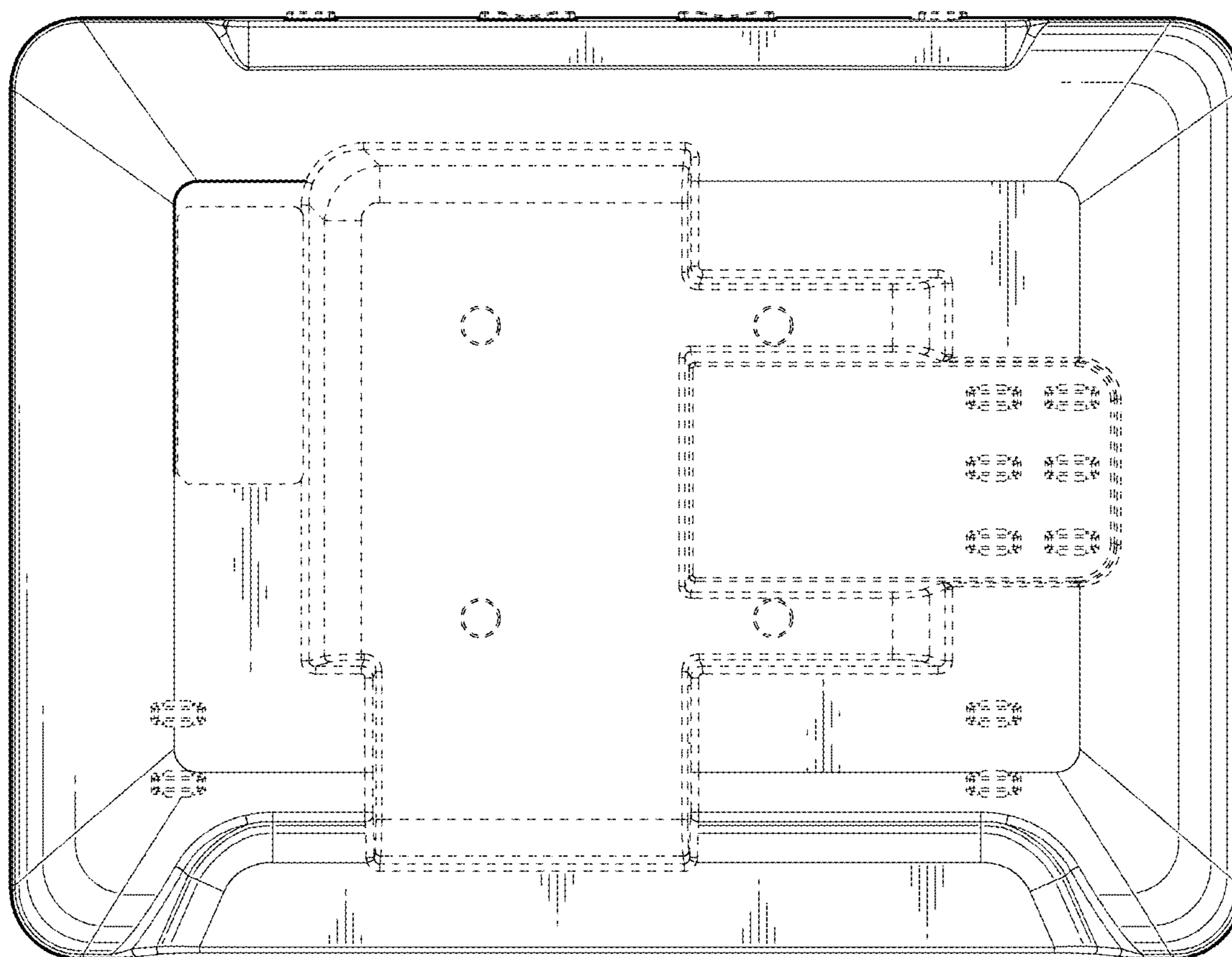


FIG. 3

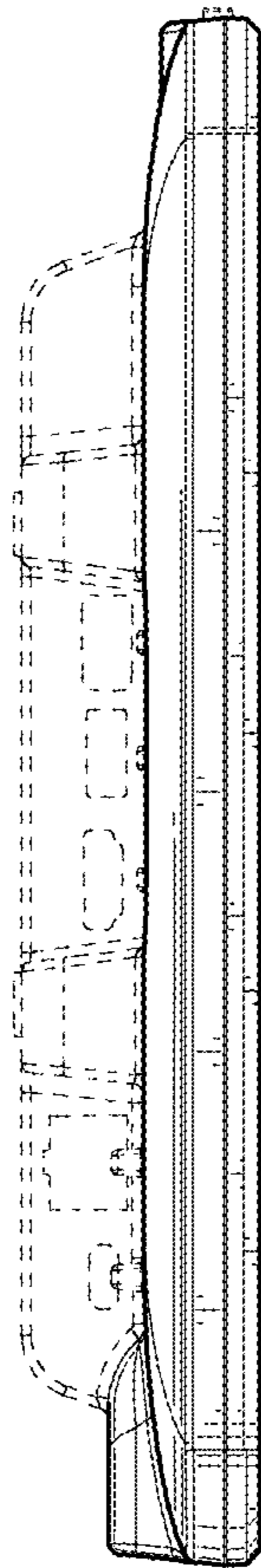


FIG. 4

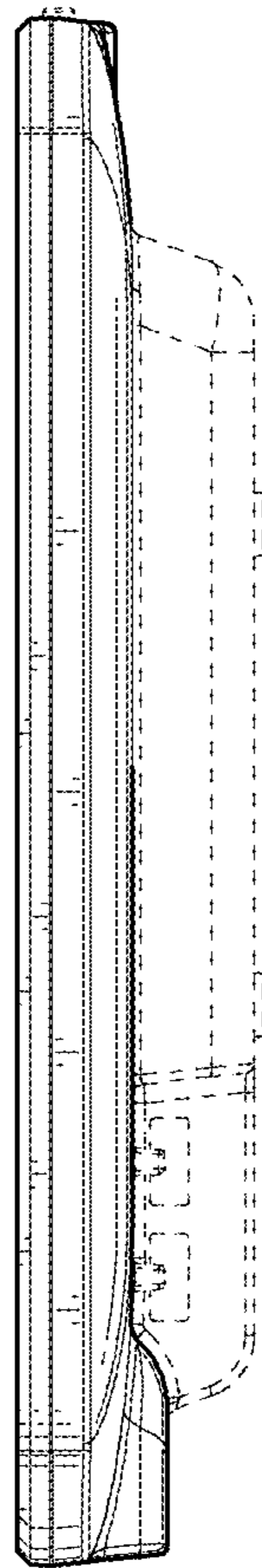


FIG. 5

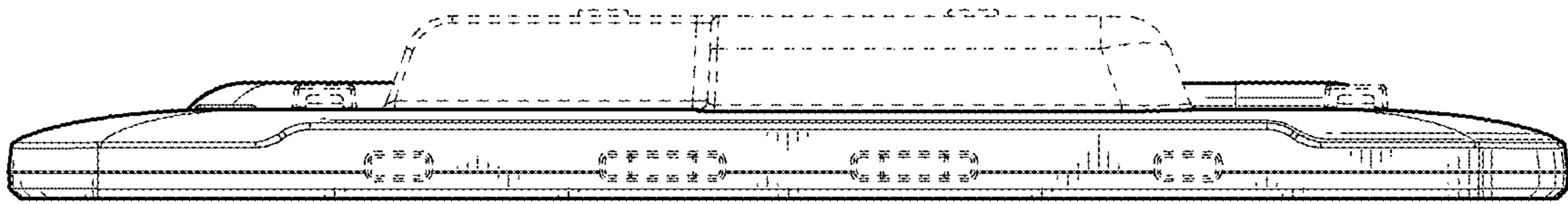


FIG. 6

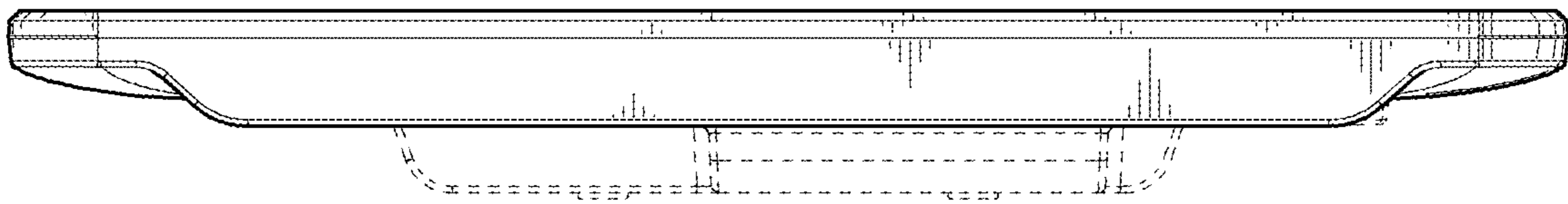


FIG. 7

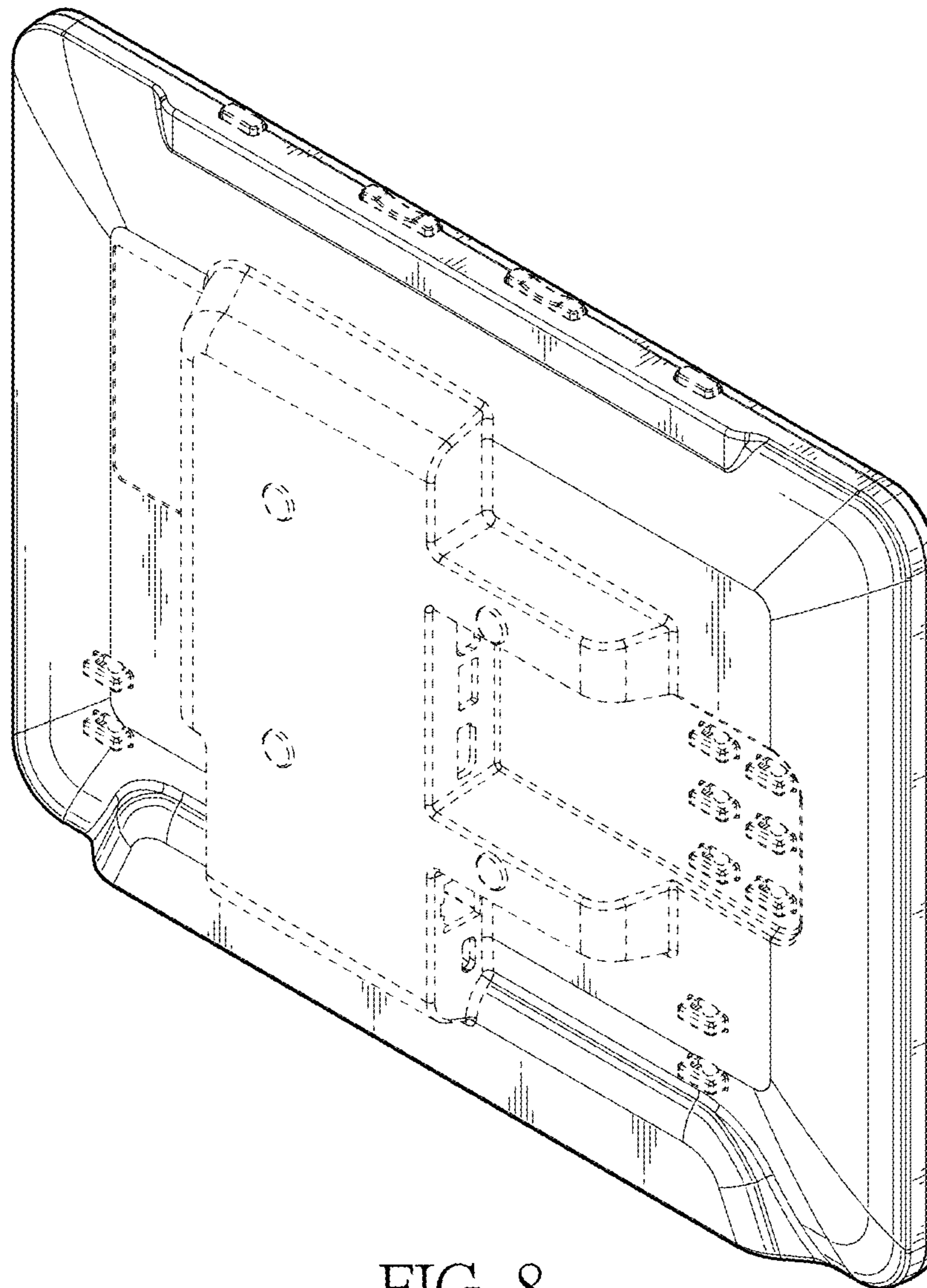


FIG. 8

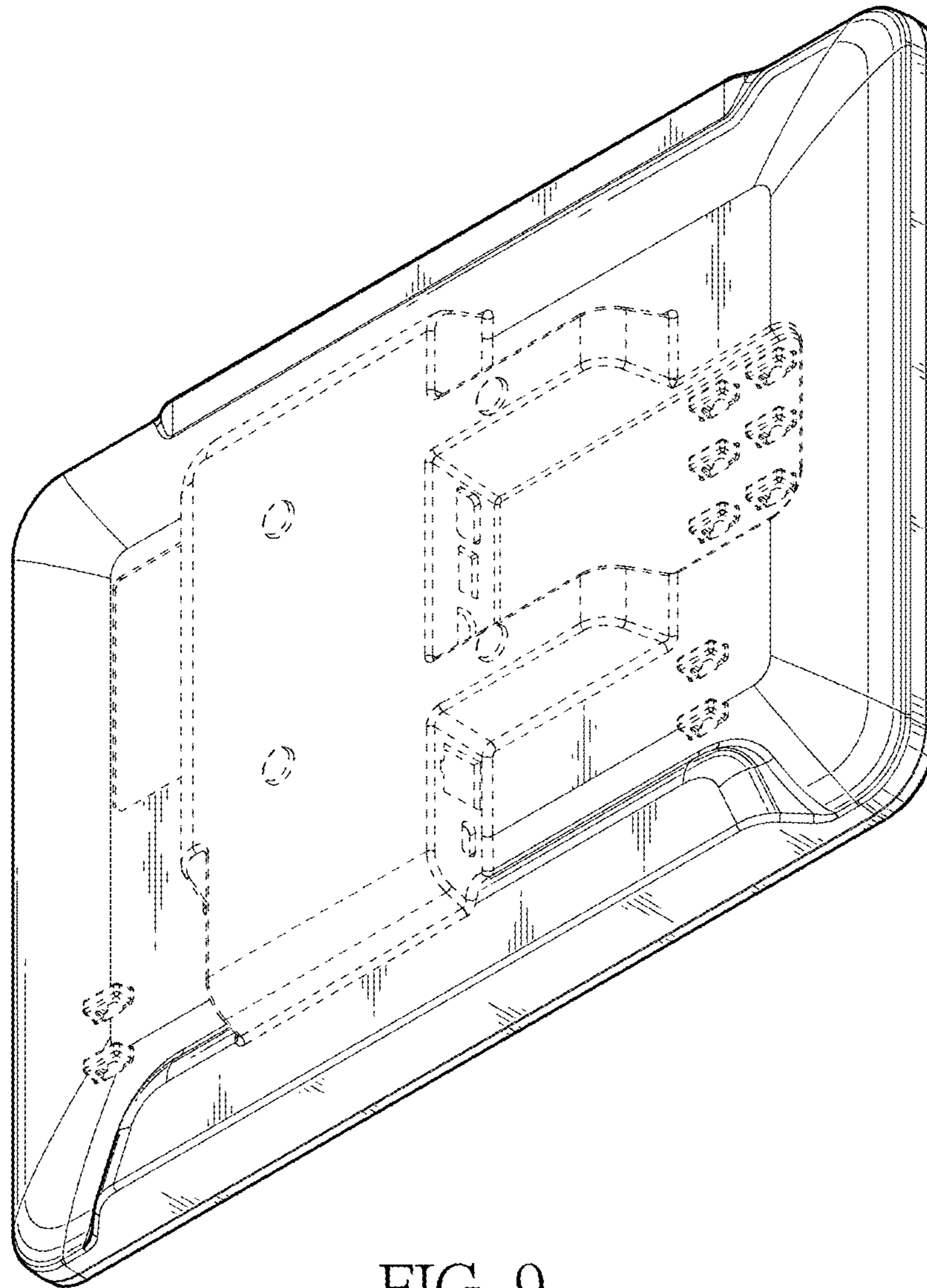


FIG. 9