



US00D962923S

(12) **United States Design Patent** (10) **Patent No.:** **US D962,923 S**  
**Xu** (45) **Date of Patent:** **\*\* Sep. 6, 2022**

(54) **TABLET COMPUTER**

(71) Applicant: **Lenovo (Beijing) Co., Ltd.**, Beijing (CN)

(72) Inventor: **Jian Xu**, Beijing (CN)

(73) Assignee: **Lenovo (Beijing) Co., Ltd.**, Beijing (CN)

(\*\*) Term: **15 Years**

(21) Appl. No.: **29/655,775**

(22) Filed: **Jul. 6, 2018**

www.usatoday.com/story/tech/columnist/baig/2016/10/17/lenovo-yoga-book-tablet-innovative-but-unsatisfying/92230708/> (Year: 2016).\*

(Continued)

*Primary Examiner* — Messina L Smith

*Assistant Examiner* — Aram Kwon

(74) *Attorney, Agent, or Firm* — Oppedahl Patent Law Firm LLC

(57) **CLAIM**

The ornamental design for a tablet computer, as shown and described.

**DESCRIPTION**

FIG. 1 is a front elevation view of a tablet computer showing the new design;  
FIG. 2 is a rear elevation view thereof;  
FIG. 3 is a left side elevation view thereof;  
FIG. 4 is a right side elevation view thereof;  
FIG. 5 is a top plan view thereof;  
FIG. 6 is a bottom plan view thereof;  
FIG. 7 is a rear isometric view thereof;  
FIG. 8 is a front elevation view thereof with the stand being in an open position;  
FIG. 9 is a rear elevation view thereof;  
FIG. 10 is a left side elevation view thereof;  
FIG. 11 is a right side elevation view thereof;  
FIG. 12 is a top plan view thereof;  
FIG. 13 is a bottom plan view thereof;  
FIG. 14 is a rear isometric view thereof;  
FIG. 15 is an enlarged view of the encircled portion of the tablet computer shown in FIG. 2;  
FIG. 16 is an enlarged view of the encircled portion of the tablet computer shown in FIG. 7; and,  
FIG. 17 is an enlarged view of the encircled portion of the tablet computer shown in FIG. 14.

The broken lines shown in the drawings illustrate portions of the tablet computer that form no part of the claimed design. In addition, the dot-dash broken lines encircling portions of the tablet computer in FIG. 2, FIG. 7, FIG. 14, and illustrated

(Continued)

**Related U.S. Application Data**

(63) Continuation of application No. 29/556,101, filed on Feb. 26, 2016, now Pat. No. Des. 824,898.

(30) **Foreign Application Priority Data**

Sep. 6, 2015 (CN) ..... 201530339850.X

(51) **LOC (13) Cl.** ..... **14-02**

(52) **U.S. Cl.**  
USPC ..... **D14/341; D14/345**

(58) **Field of Classification Search**  
USPC ..... D14/253, 440, 203.1, 203.4, 203.7, D14/341-347, 337, 374, 137, 138 AB,  
(Continued)

(56) **References Cited**

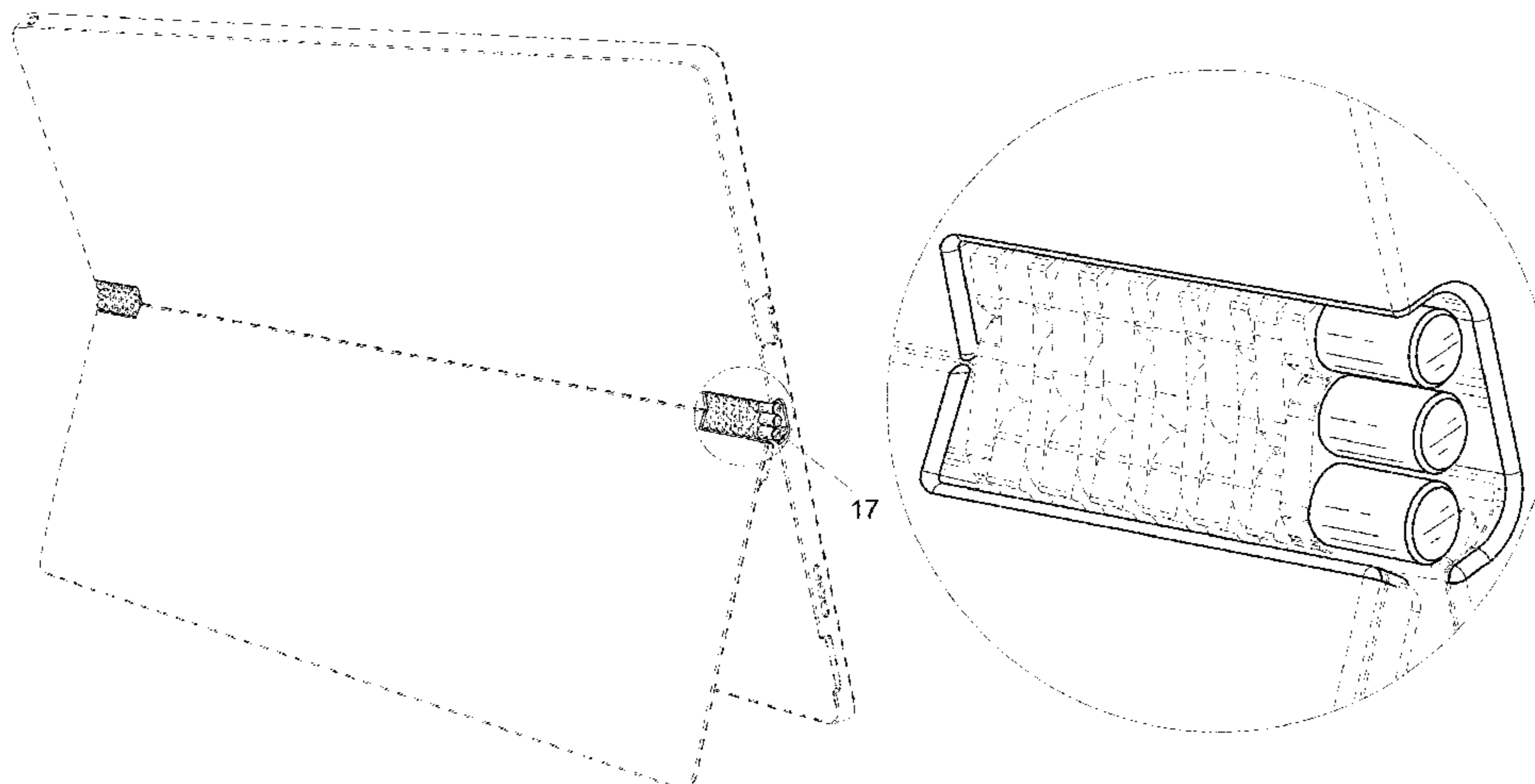
**U.S. PATENT DOCUMENTS**

3,005,282 A \* 10/1961 Godtfred ..... A63H 33/086  
446/128

D271,764 S 12/1983 Toth  
(Continued)

**OTHER PUBLICATIONS**

Lenovo Yoga Book tablet., published Oct. 17, 2016 [online], [retrieved Sep. 11, 2021]. Available from Internet, URL: <https://



in enlarged views FIGS. 15-17 are for the purpose of illustrating enlarged views and form no part of the claimed design.

**1 Claim, 13 Drawing Sheets**

(58) **Field of Classification Search**

USPC ..... D14/138 AA, 138 G, 138 R; D10/65; D21/329, 330; D6/310; D8/323, D8/325-329  
 CPC ..... G06F 3/016; G06F 13/385; G06F 1/1681; G06F 1/1616; G06F 3/0202; G06F 3/04845; H04N 17/00; H04N 5/30; H04N 5/66; H04N 5/2251; H04M 1/0214  
 See application file for complete search history.

(56) **References Cited**

U.S. PATENT DOCUMENTS

D331,725 S	12/1992	Mastoloni	
D345,965 S	4/1994	Hankes	
D436,515 S *	1/2001	Sonntag	D8/328
D437,243 S	2/2001	Cessac	
6,388,660 B1	5/2002	Manser	
D482,693 S	11/2003	Nishio	
D485,411 S	1/2004	Valdez	
D499,718 S	12/2004	Chen	
D515,582 S	2/2006	Landau	
D531,526 S	11/2006	Barton	
D577,333 S	9/2008	Daniel	
7,540,624 B2	6/2009	Hull	
D637,924 S	5/2011	Boutwell	
7,946,103 B2	5/2011	So	
D676,768 S	2/2013	Eyring	
D677,660 S	3/2013	Groene	
D678,272 S	3/2013	Groene	
D678,877 S	3/2013	Groene	
D691,575 S	10/2013	Park	
D691,980 S	10/2013	Park	
D691,996 S	10/2013	Ohshima	
D696,254 S	12/2013	Groene	
D705,094 S	5/2014	Eyring	
D705,778 S *	5/2014	Groene	D14/341
D713,403 S	9/2014	Groene	
D716,293 S	10/2014	Hwang	
D720,688 S	1/2015	Popper	
D720,746 S	1/2015	Chung	
D725,651 S	3/2015	Green	
D726,525 S *	4/2015	Kenerly	D8/328
D727,315 S	4/2015	Jensen	
9,025,321 B2	5/2015	Liang	
D733,126 S	6/2015	Sung	
D733,127 S	6/2015	Sung	
D733,128 S	6/2015	Seoc	
D736,202 S	8/2015	Solomon	
D736,203 S	8/2015	Kim	
D736,763 S	8/2015	Yum	
D741,319 S	10/2015	Yun	
9,164,551 B2	10/2015	Chen	
D743,961 S	11/2015	Oh	
D745,510 S	12/2015	Lee	
D745,511 S	12/2015	Lee	
D748,001 S	1/2016	Delhotal	
D748,089 S *	1/2016	Shi	D14/315
D749,070 S	2/2016	Oh	

D754,655 S	4/2016	Groene	
9,317,072 B2	4/2016	Park	
D757,712 S	5/2016	Chae	
D757,715 S	5/2016	Choi	
9,436,229 B2	9/2016	Yoo	
D777,053 S	1/2017	Atwell	
D778,901 S *	2/2017	Liang	D14/315
D780,174 S	2/2017	Park	
D781,848 S	3/2017	Kim	
D782,469 S	3/2017	Raken	
D782,470 S	3/2017	Raken	
D784,980 S	4/2017	Lin	
D789,356 S	6/2017	Cebe	
D795,248 S *	8/2017	Satzger	D14/341
D798,292 S *	9/2017	Groene	D14/341
D803,826 S *	11/2017	Wang	D14/316
9,870,031 B2 *	1/2018	Hsu	G06F 1/1681
9,915,981 B2 *	3/2018	Hsu	G06F 1/1681
9,921,611 B2 *	3/2018	Wang	G06F 1/1681
D824,898 S *	8/2018	Xu	D14/341
D872,077 S *	1/2020	Raken	D14/341
10,928,863 B2 *	2/2021	Pelissier	G06F 1/1637
D913,280 S *	3/2021	Cai	D14/315
D922,996 S *	6/2021	Chen	D14/315
2005/0052831 A1	3/2005	Chen	
2010/0081973 A1	4/2010	Tsai	
2011/0192857 A1	8/2011	Rothbaum	
2014/0028243 A1	1/2014	Rayner	
2014/0185218 A1	7/2014	Chen	
2015/0365124 A1	12/2015	Choi	
2016/0215541 A1 *	7/2016	Tazbaz	H04M 1/022
2016/0370828 A1	12/2016	Hsu	
2016/0370829 A1	12/2016	Hsu	
2019/0086970 A1 *	3/2019	Fang	G06F 1/1618

OTHER PUBLICATIONS

Lenovo Yoga 910 Review, announced Nov. 21, 2016 [online], [retrieved Sep. 11, 2021]. Available from Internet, URL: <<https://www.slashgear.com/lenovo-yoga-910-review-21464849/>> (Year: 2016).\*

Watchband Hinge, no date listed [online], [retrieved Sep. 11, 2021]. Available from Internet, URL: <<https://sollandstudio.com/case-studies/lenovo-yoga-3-pro/>> (Year: 2021).\*

Lenovo (Beijing) Co., L Td., "Tablet computer". Design U.S. Appl. No. 29/550,142, filed Dec. 30, 2015; the specification, drawings, and filling receipt are attached hereto.

Ideapad Miix 700, announced 2017 [online], [site visited Jul. 10, 2017] Available from Internet URL: <<http://www3.lenovo.com/pt/pt/laptops/ideapad/miix-series/IdeaPad-Miix-700/p/88IPMX70637>>.

Ammo Eva Bullet Dart Holder, announced 2017, [site visited Jul. 10, 2017] Available from Internet URL: <<http://www.dhgate.com/product/ammo-eva-bullet-dart-holder-carrier-bandolier/400787403.html#se1-2-1b;price11266961191>>.

Metal Dowel Pin, announced 2017, [site visited Jul. 10, 2017] Available from Internet URL: <<http://www.nutsboltsandboyond.com/item/2259596/>>.

YDTech Precision Dowel Pins, announced 2012 [online], [site visited Jul. 21, 2017] Available from Internet URL: <<https://bearing-needle.com/2STEEL-DOWEL-PINS-METAL-DOWELS-HOLE-PINS-BRASS.htm>>.

Tri-wood Peg Toy, announced Mar. 10, 2009 [online], [site visited Jul. 24, 2017] Available from Internet URL: <<https://www.etsy.com/listing/22115745/tri-wood-peg-board-infanttoddler-toy>>.

\* cited by examiner



FIG. 1



FIG. 2



FIG. 3



FIG. 4

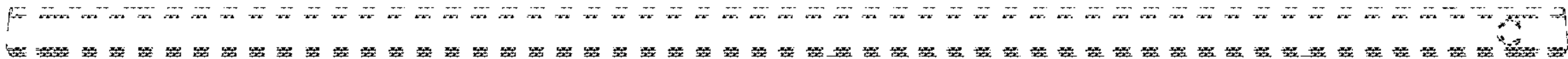


FIG. 5



FIG. 6

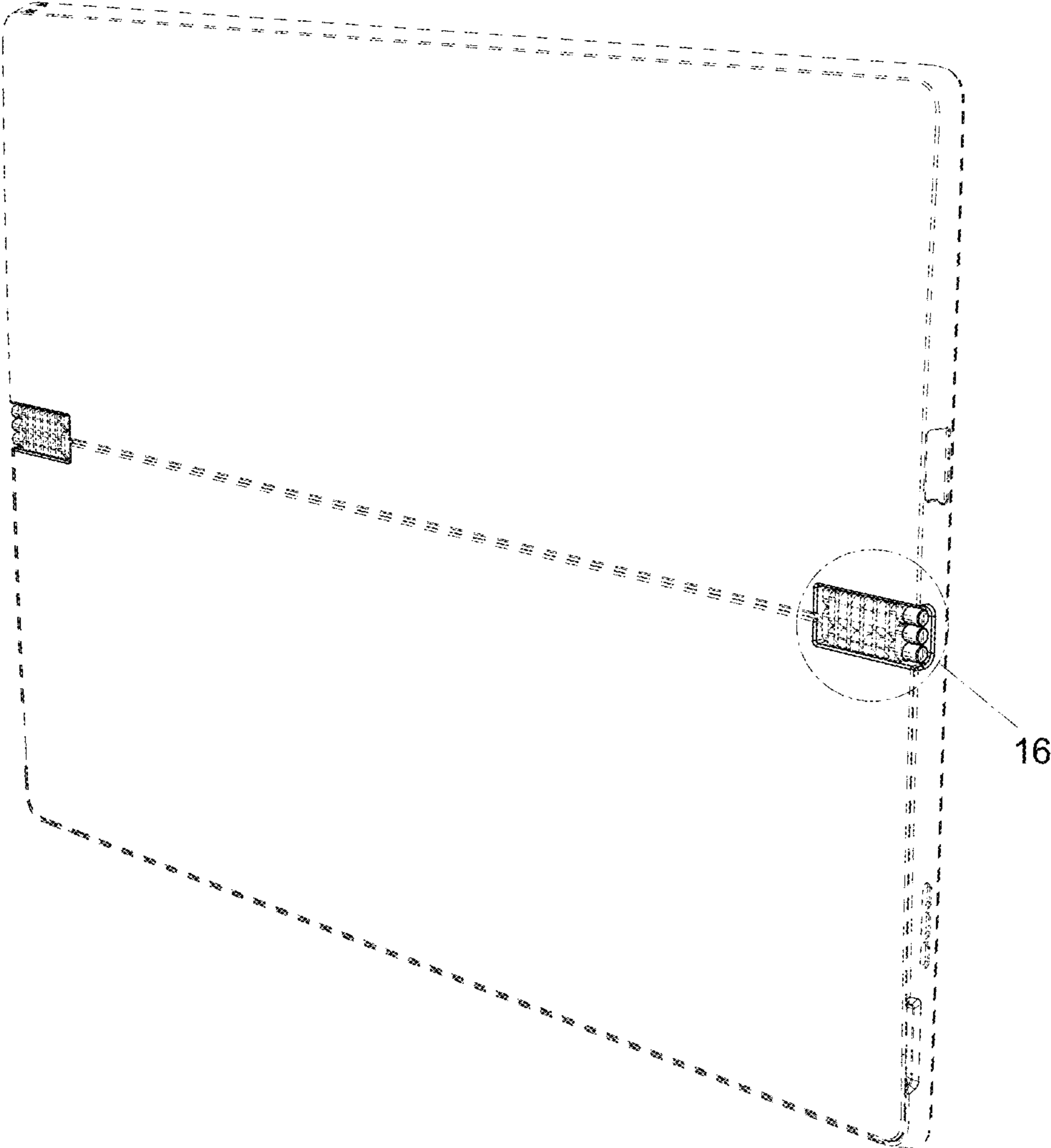


FIG. 7



FIG. 8





FIG. 9

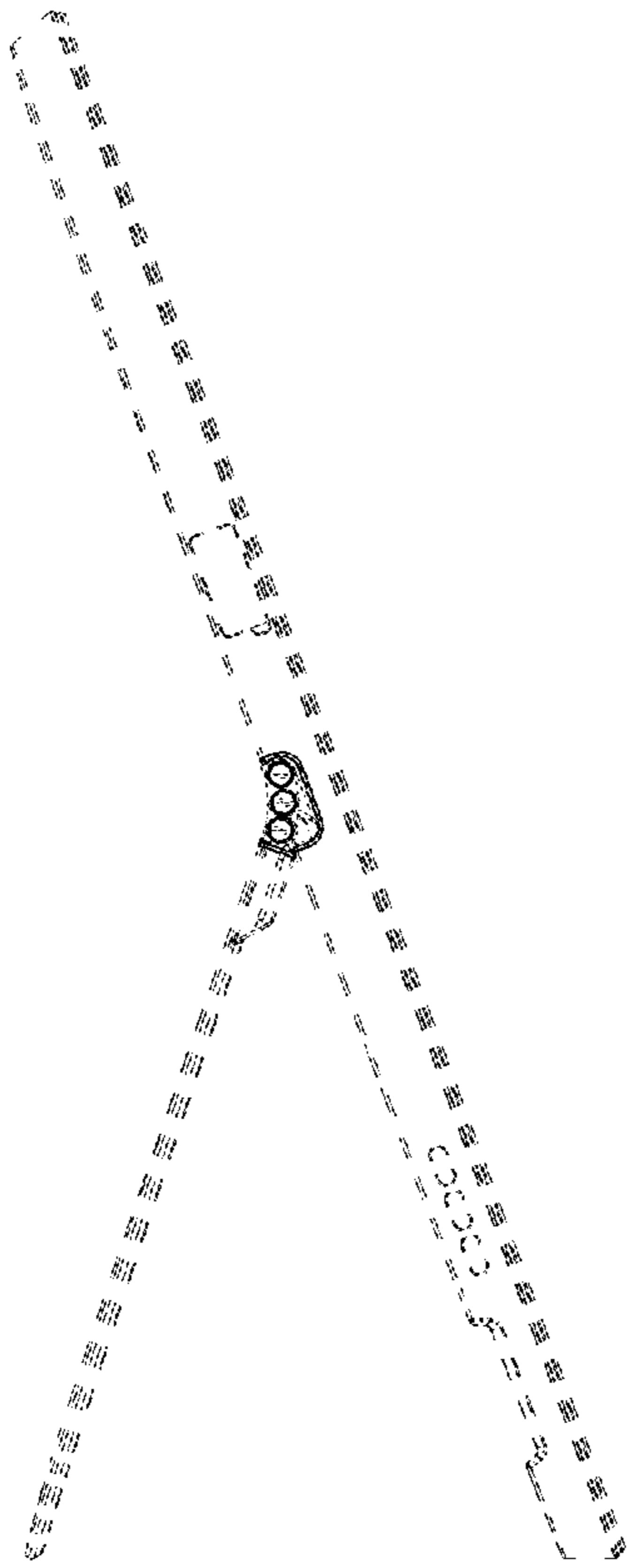


FIG. 10

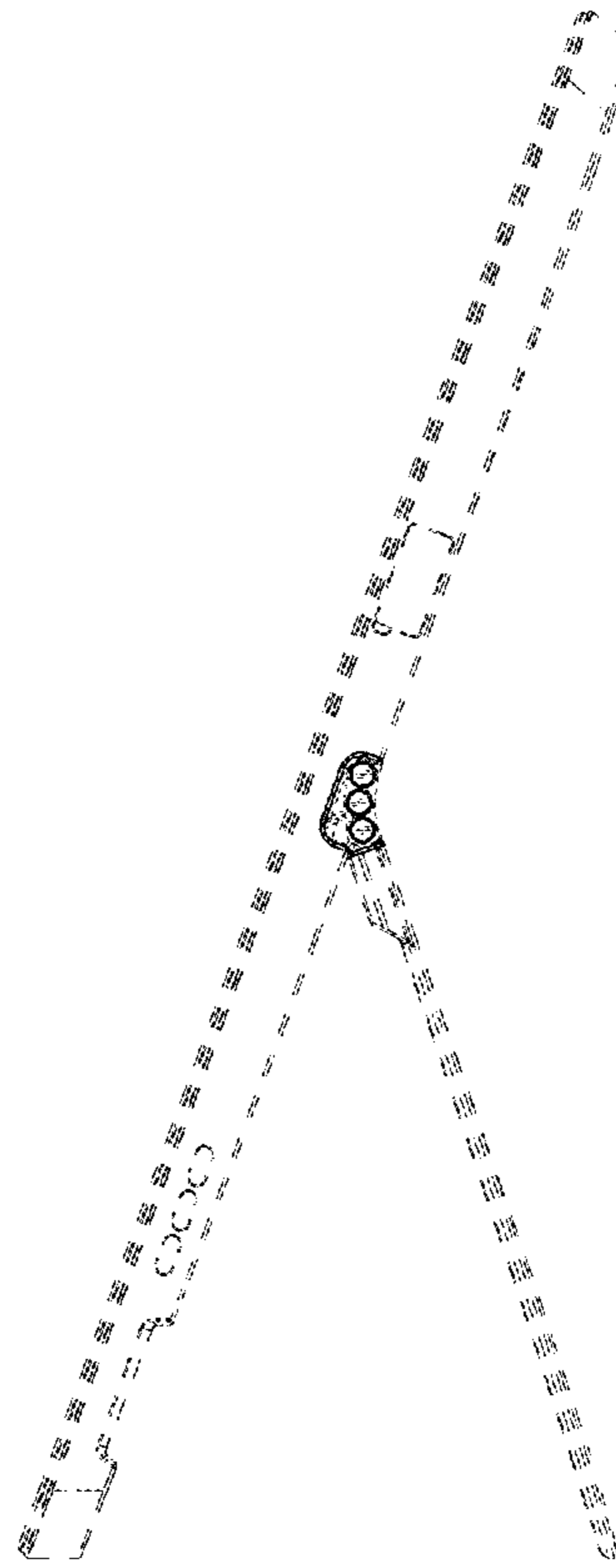


FIG. 11



FIG. 12

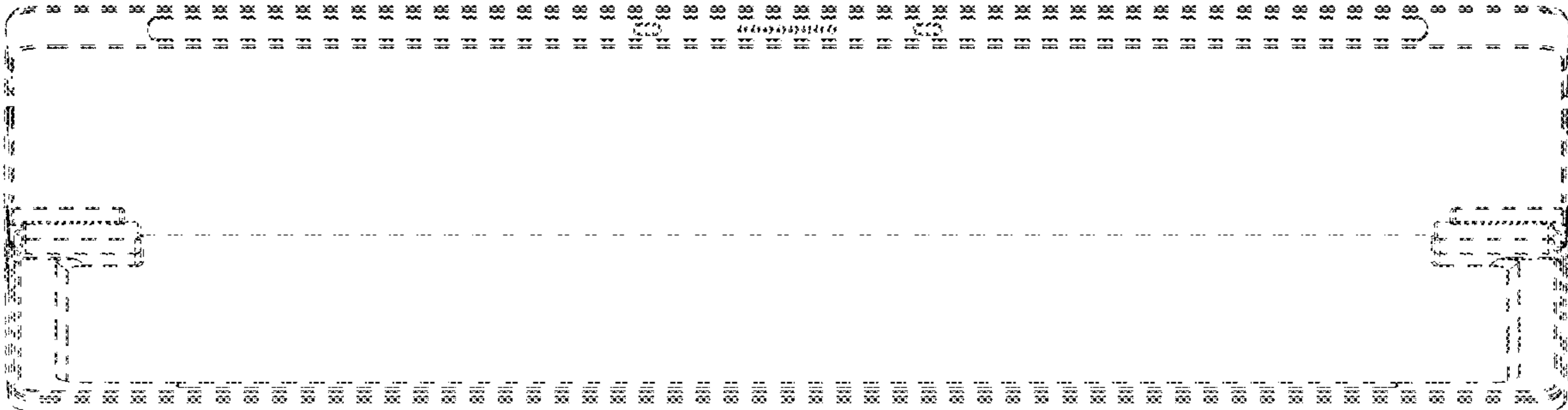


FIG. 13

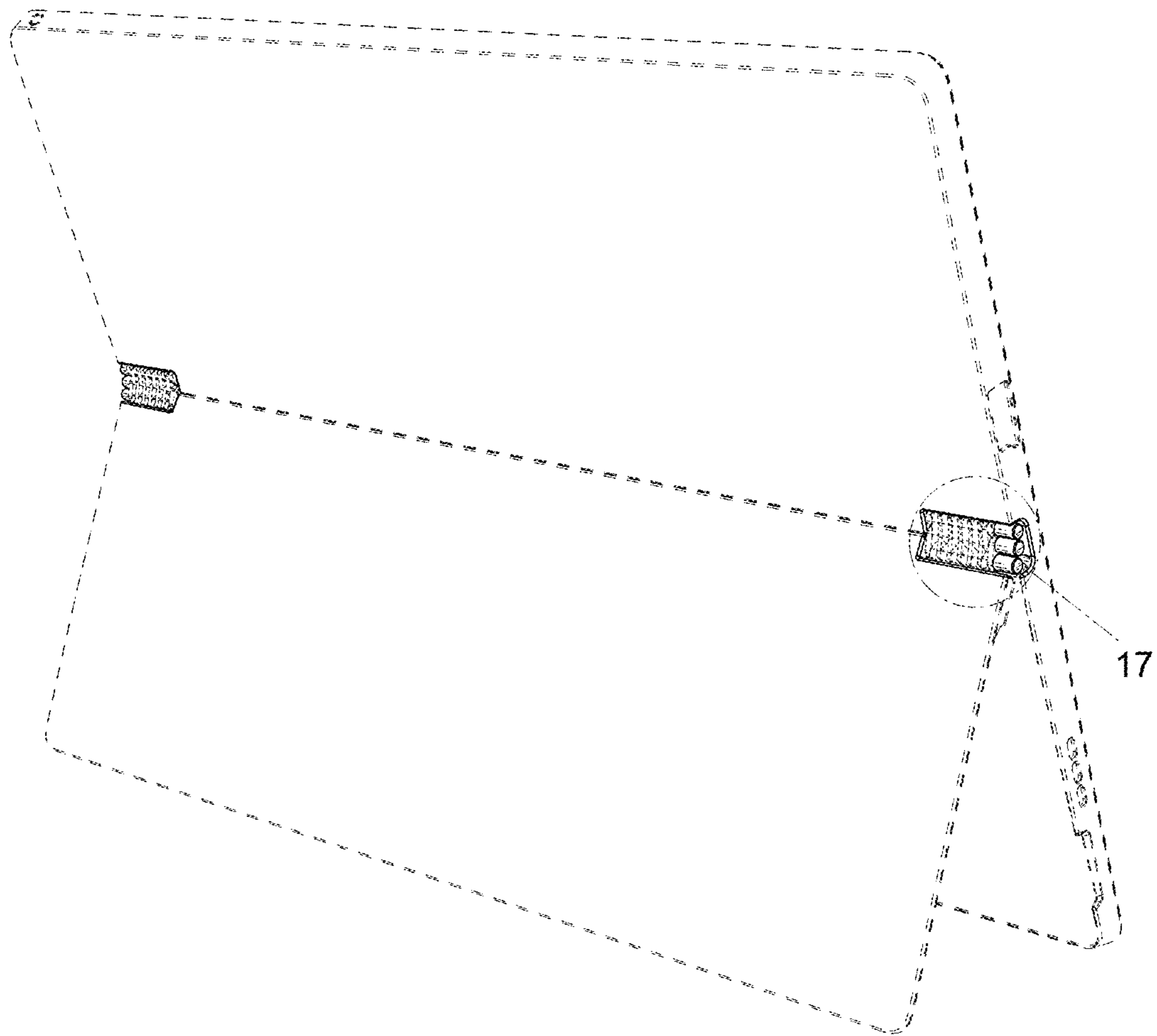


FIG. 14

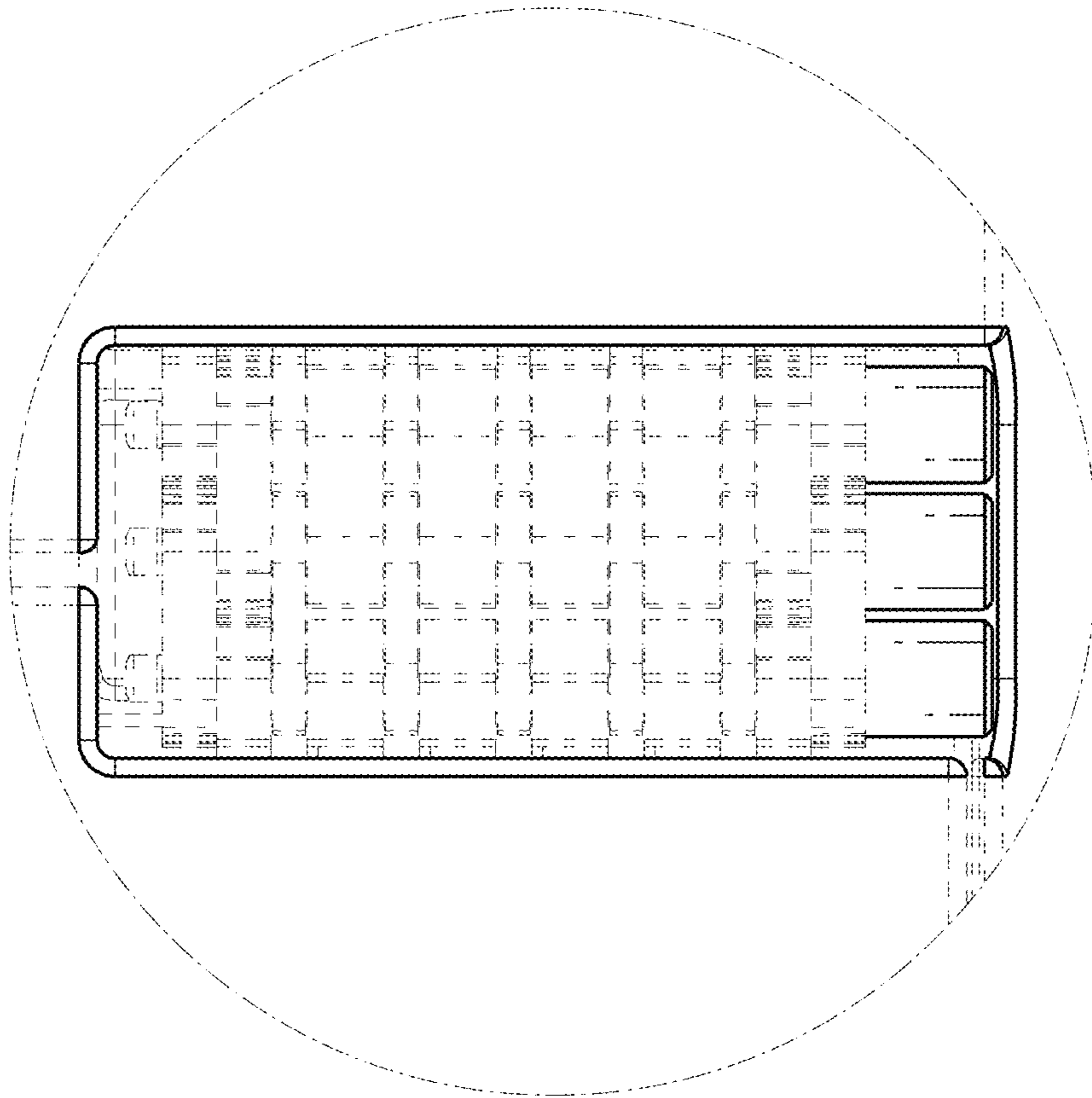


FIG. 15

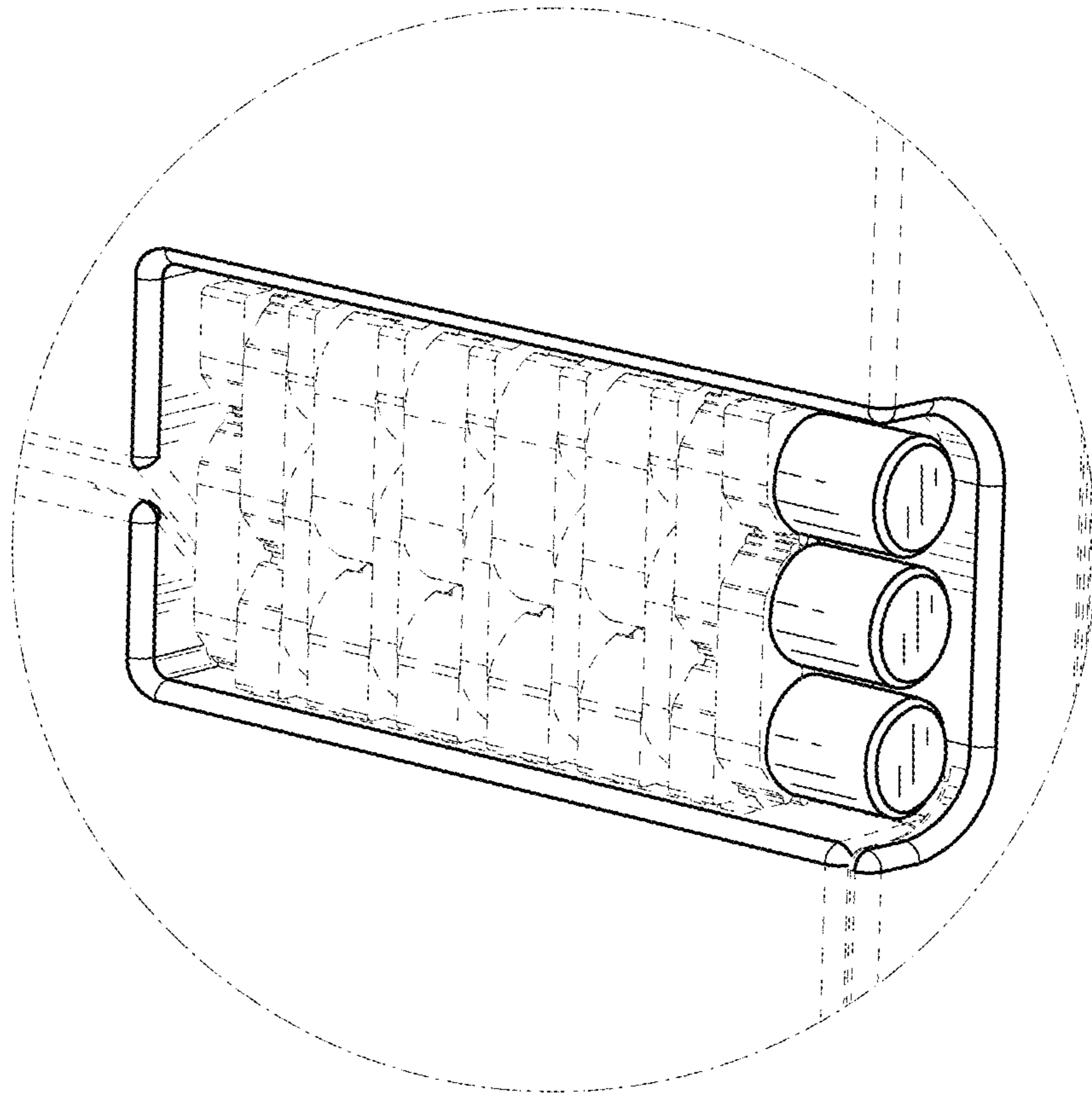


FIG. 16

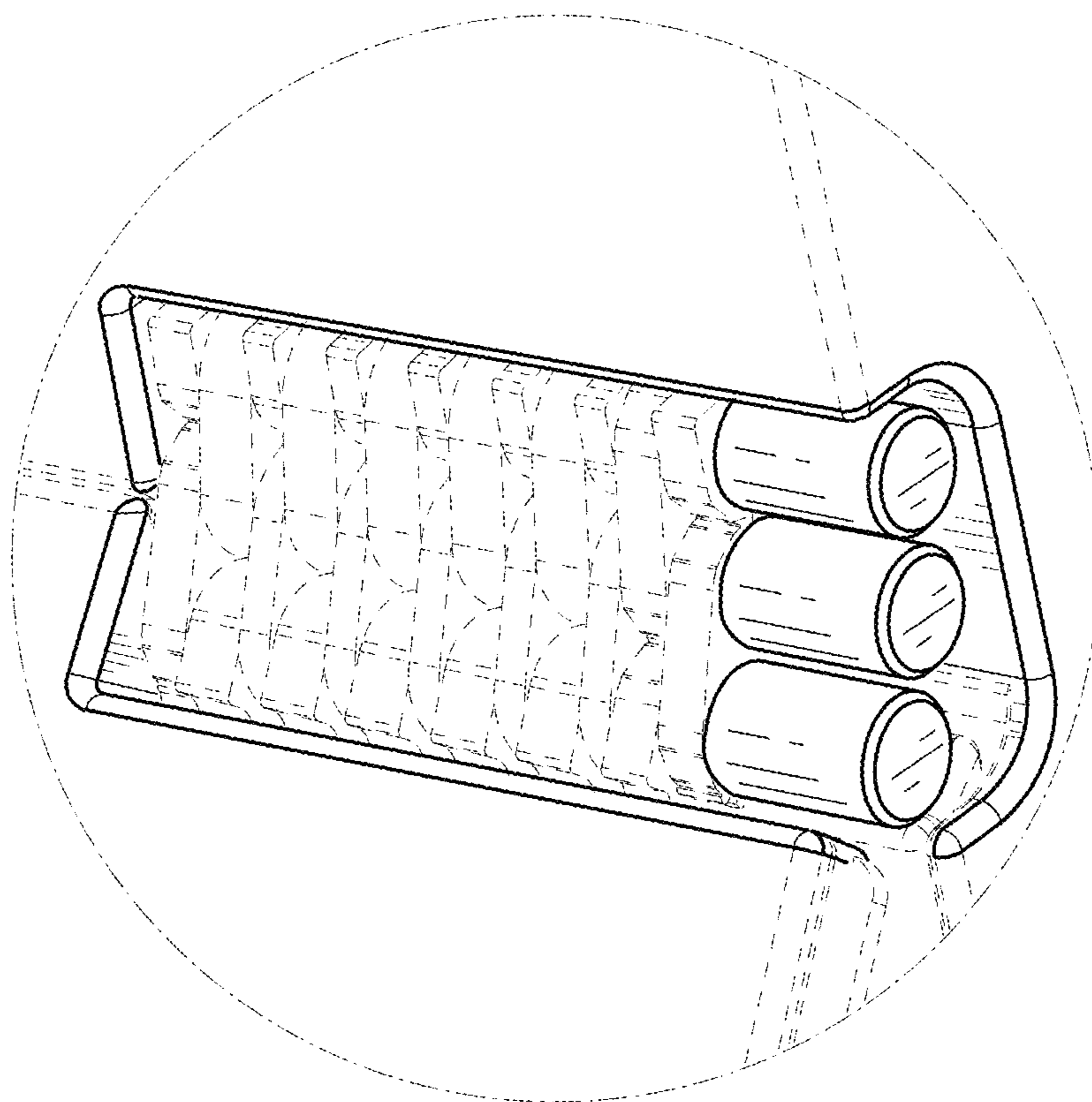


FIG. 17