

US00D962922S

(12) **United States Design Patent** (10) **Patent No.:** **US D962,922 S**  
**Kuo** (45) **Date of Patent:** **\*\* Sep. 6, 2022**

(54) **ELECTRONIC DEVICE**

(71) Applicant: **Getac Technology Corporation**,  
Hsinchu County (TW)  
(72) Inventor: **Hsiu-Yu Kuo**, Taipei (TW)  
(73) Assignee: **GETAC TECHNOLOGY**  
**CORPORATION**, Hsinchu County  
(TW)

(\*\*) Term: **15 Years**

(21) Appl. No.: **29/682,227**

(22) Filed: **Mar. 4, 2019**

(51) **LOC (13) Cl.** ..... **14-02**

(52) **U.S. Cl.**  
USPC ..... **D14/316**; D14/318

(58) **Field of Classification Search**  
USPC ..... D14/203.4, 203.6, 247, 345–346,  
D14/315–327, 391–399, 434, 455–457,  
D14/477, 507, 509; D18/1–2, 4.1–4.6, 7,  
D18/11; 235/145 A, 145 R; 341/22–23;  
345/104, 156, 168–169, 173; 361/679.08,  
361/679.09, 679.11, 679.26, 679.27;  
708/142, 146; 400/489; D11/132;  
D24/186  
CPC ..... B41J 5/00; B41J 5/10; B41J 5/12; F16M  
11/10; G06F 3/0219; G06F 3/02  
See application file for complete search history.

(56) **References Cited**

**U.S. PATENT DOCUMENTS**

5,769,551 A \* 6/1998 Tsai ..... G06F 1/1622  
361/679.14  
D430,118 S \* 8/2000 Horiki ..... D14/318  
D456,398 S \* 4/2002 Horiki ..... D14/318  
D492,677 S \* 7/2004 Shimizu ..... D14/318  
D558,754 S \* 1/2008 Takemasa ..... D14/328  
D606,535 S \* 12/2009 Morooka ..... D14/316  
D623,643 S \* 9/2010 Hsu ..... D14/315

(Continued)

**FOREIGN PATENT DOCUMENTS**

CN 303347958 \* 8/2015  
CN 304957919 \* 12/2018

(Continued)

**OTHER PUBLICATIONS**

Tablet Computer V110, Getac, getac.com, author not listed, posted on May 20, 2019 © 2019 Getac Technology Corp., online, site visited Dec. 22, 2019. Available from Internet, URL: <https://www.getac.com/us/products/laptops/v110/> (Year: 2019).\*

(Continued)

*Primary Examiner* — Holly E Thurman

*Assistant Examiner* — Altaira J Swangin

(74) *Attorney, Agent, or Firm* — Locke Lord LLP; Tim Tingkang Xia, Esq.

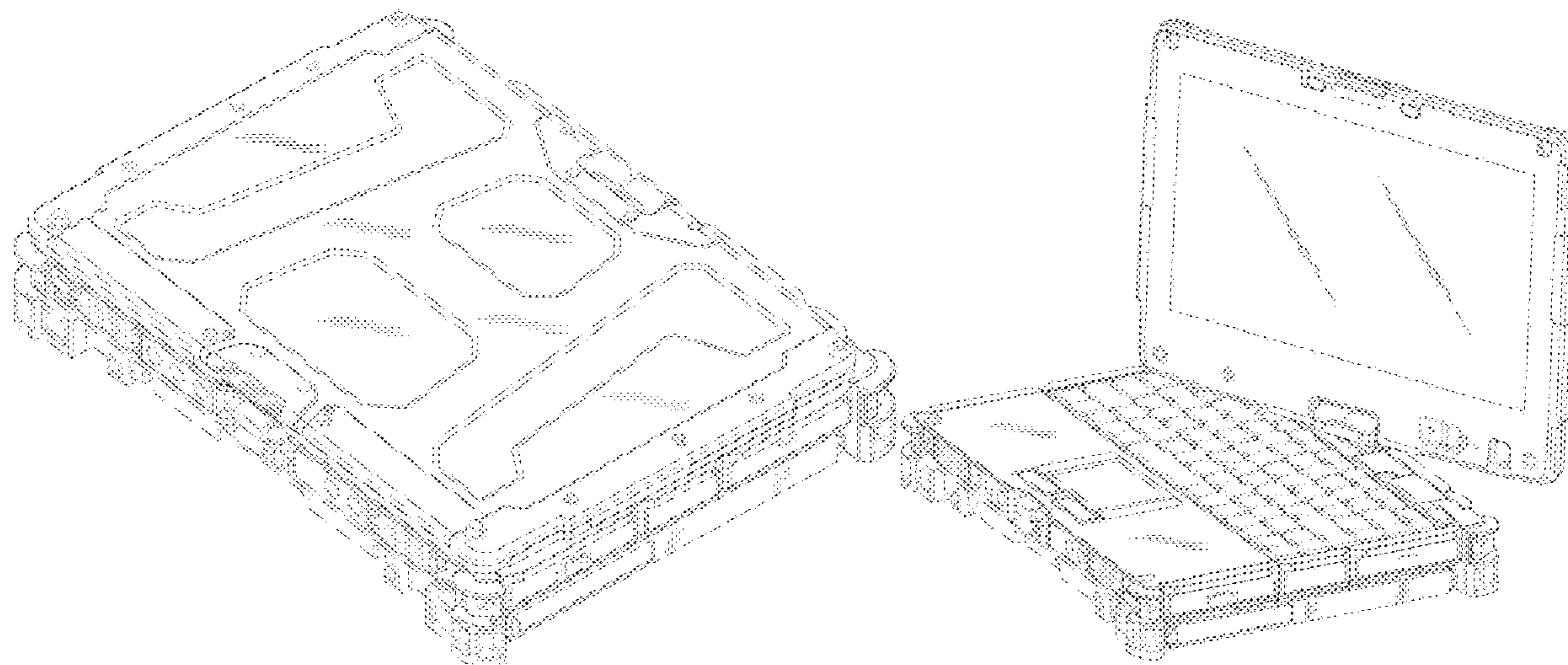
(57) **CLAIM**

The ornamental design for an electronic device, as shown and described.

**DESCRIPTION**

FIG. 1 is a perspective view of an electronic device showing the claimed design;  
FIG. 2 is a front view thereof;  
FIG. 3 is a rear view thereof;  
FIG. 4 is a left side view thereof;  
FIG. 5 is a right side view thereof;  
FIG. 6 is a top view thereof;  
FIG. 7 is a bottom view thereof;  
FIG. 8 is another perspective view showing the electronic device being in a usage state; and,  
FIG. 9 is another perspective view showing the electronic device being in another usage state.  
The broken lines illustrate portions of the electronic device that form no part of the claimed design.

**1 Claim, 9 Drawing Sheets**



(56)

References Cited

U.S. PATENT DOCUMENTS

D623,644 S \* 9/2010 Hsu ..... D14/315  
 D623,646 S \* 9/2010 Peng ..... D14/324  
 D623,647 S \* 9/2010 Hsu ..... D14/324  
 D623,648 S \* 9/2010 Hsu ..... D14/324  
 D624,067 S \* 9/2010 Peng ..... D14/315  
 D624,068 S \* 9/2010 Peng ..... D14/315  
 D624,069 S \* 9/2010 Peng ..... D14/324  
 D626,123 S \* 10/2010 Peng ..... D14/324  
 D627,775 S \* 11/2010 Li ..... D14/324  
 D649,149 S \* 11/2011 Peng ..... D14/315  
 8,179,290 B2 \* 5/2012 Motoe ..... H03M 11/16  
 341/23  
 D695,734 S \* 12/2013 Nishimura ..... D14/318  
 D702,679 S \* 4/2014 Li ..... D14/324  
 D722,598 S \* 2/2015 Leonard ..... D14/315  
 D723,027 S \* 2/2015 Leonard ..... D14/315  
 D725,116 S \* 3/2015 Li ..... D14/440  
 D740,802 S \* 10/2015 Hsu ..... D14/316  
 D756,994 S \* 5/2016 Shindo ..... D14/315  
 D786,237 S \* 5/2017 Ju ..... D14/315  
 D789,355 S \* 6/2017 Cebe ..... D14/341  
 D797,699 S \* 9/2017 Kuramoto ..... D14/203.4  
 9,899,783 B1 \* 2/2018 Chang ..... H01R 29/00  
 D815,630 S \* 4/2018 Nagai ..... D14/318  
 D826,931 S \* 8/2018 Chang ..... D14/341  
 10,050,374 B1 \* 8/2018 Lee ..... G06F 1/1656  
 D828,349 S \* 9/2018 Nagai ..... D14/318  
 D852,199 S \* 6/2019 Kim ..... D14/440  
 10,372,167 B1 \* 8/2019 Hsu ..... G06F 1/1654  
 10,409,316 B1 \* 9/2019 Chen ..... G05G 5/05  
 D879,771 S \* 3/2020 Lu ..... D14/328  
 D888,714 S \* 6/2020 Lu ..... D14/392  
 11,029,722 B2 \* 6/2021 Lee ..... H05K 7/1417  
 D926,760 S \* 8/2021 Zhong ..... D14/392  
 11,099,610 B1 \* 8/2021 Chung ..... G06F 1/1684  
 11,099,614 B1 \* 8/2021 Kuo ..... G06F 1/186  
 11,132,030 B2 \* 9/2021 Huang ..... H05K 5/069  
 D942,457 S \* 2/2022 Lu ..... D14/440  
 2006/0133020 A1 \* 6/2006 Huang ..... F16M 11/126  
 361/679.09  
 2007/0025792 A1 \* 2/2007 Motoe ..... G06F 1/1662  
 400/472  
 2008/0019085 A1 \* 1/2008 Nakajima ..... G06F 1/1616  
 361/679.08  
 2008/0037205 A1 \* 2/2008 Arisaka ..... G06F 1/1616  
 361/679.08

2008/0259537 A1 \* 10/2008 Arisaka ..... G06F 1/203  
 361/679.08  
 2011/0310553 A1 \* 12/2011 Hsiao ..... G06F 1/1616  
 361/679.55  
 2012/0008258 A1 \* 1/2012 Hsu ..... G06F 1/1656  
 361/679.01  
 2013/0193290 A1 \* 8/2013 Lohmann ..... F16M 13/02  
 248/276.1  
 2013/0321276 A1 \* 12/2013 Zhang ..... G06F 3/02  
 345/168  
 2014/0026224 A1 \* 1/2014 Kuo ..... G06F 21/60  
 726/26  
 2016/0027465 A1 \* 1/2016 Lee ..... G11B 17/04  
 720/613  
 2016/0088747 A1 \* 3/2016 Kuo ..... F16M 11/00  
 361/807  
 2021/0055759 A1 \* 2/2021 Lee ..... G06F 1/1616  
 2021/0055768 A1 \* 2/2021 Lee ..... G06F 1/1656  
 2021/0059061 A1 \* 2/2021 Hsu ..... H05K 5/023  
 2021/0059065 A1 \* 2/2021 Lee ..... H05K 7/02  
 2021/0092858 A1 \* 3/2021 Chou ..... F16C 11/04

FOREIGN PATENT DOCUMENTS

EM 002257386-0002 \* 7/2013  
 EM 006222550-0001 \* 2/2019

OTHER PUBLICATIONS

Toughbook, Panasonic, amazon.com, published by Panasonic on Nov. 30, 2014 © 1996-2020 Amazon.com, Inc., online, site visited Mar. 19, 2020. Available from Internet, URL: <https://www.amazon.co.uk/Panasonic-Toughbook-CF-19-i5-3320M-316-99/dp/B00NJA2C40> (Year: 2014).\*

V110 Rugged Convertible Outdoor Laptop/Tablet PC, Getac, shop.titaneliteinc.com, author unlisted, published on May 7, 2016 per wayback machine © 2022 Titan Elite, Inc. online, site visited Jun. 8, 2020. Available URL: [https://shop.titaneliteinc.com/index.php?route=product/product&product\\_id=398](https://shop.titaneliteinc.com/index.php?route=product/product&product_id=398) (Year: 2016).\*

V110 Laptop, Getac, ruggedpreview.com, published by Conrad H. Blickenstorfer on Oct. 19, 2013 per wayback machine © unlisted, online, site visited Jun. 8, 2020. Available from Internet, URL: [https://www.ruggedpreview.com/3\\_notebooks\\_getac\\_v110.html](https://www.ruggedpreview.com/3_notebooks_getac_v110.html) (Year: 2013).\*

\* cited by examiner



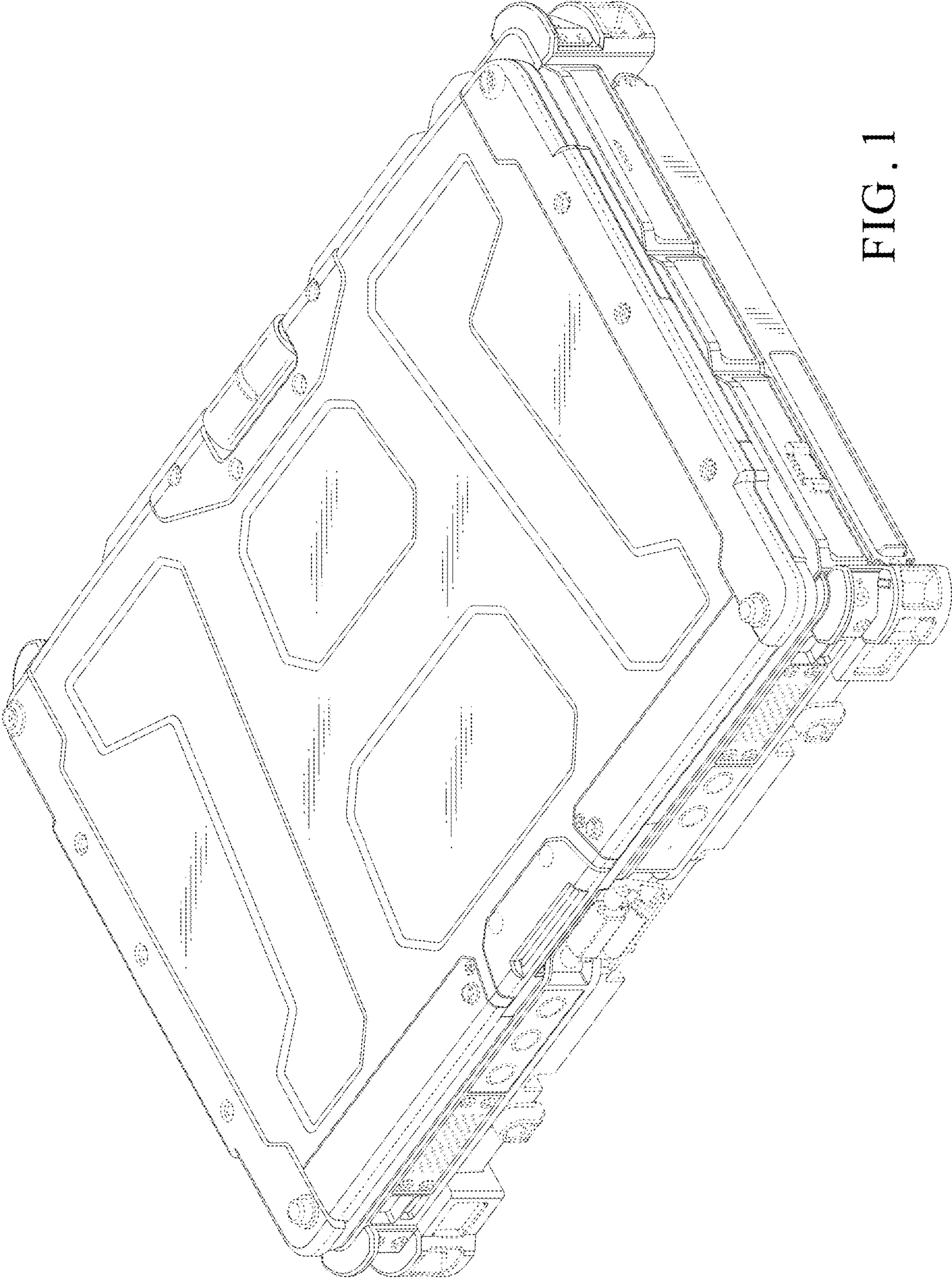


FIG. 1

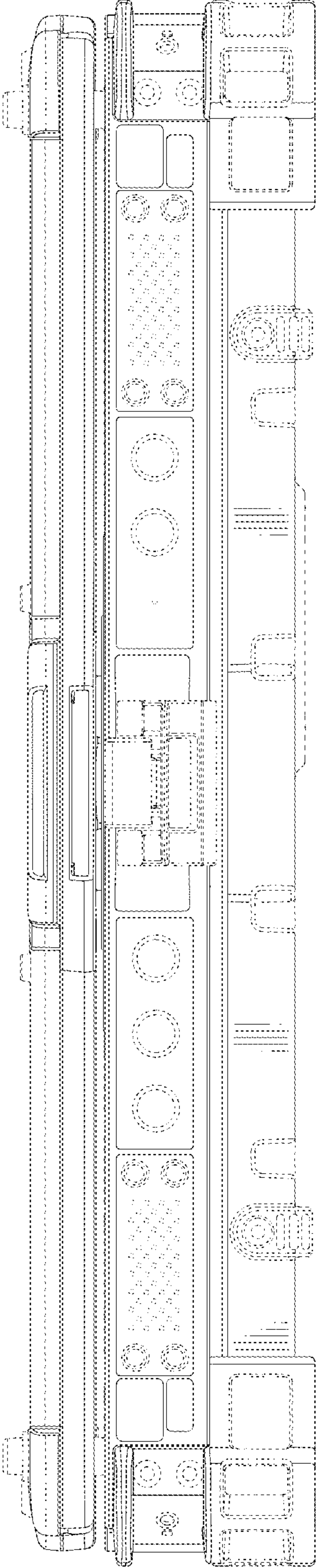


FIG. 2

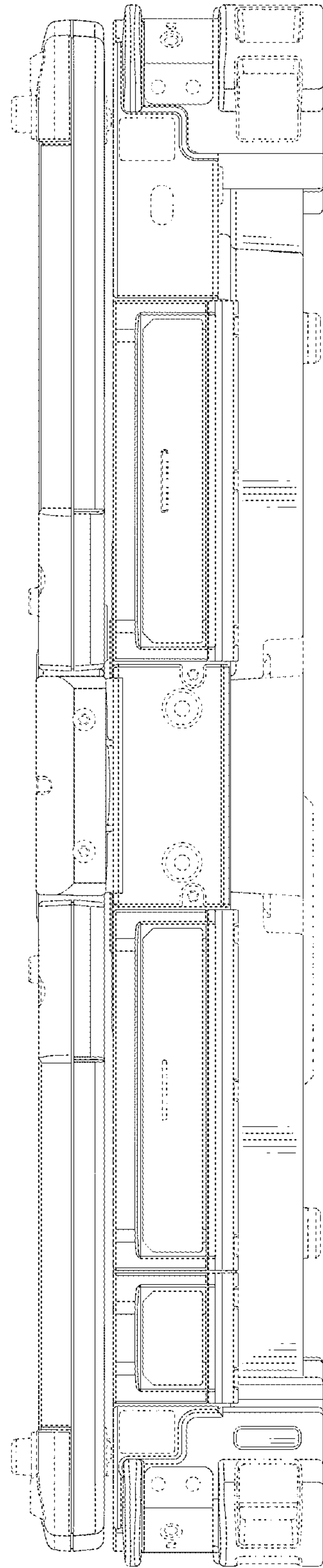


FIG. 3

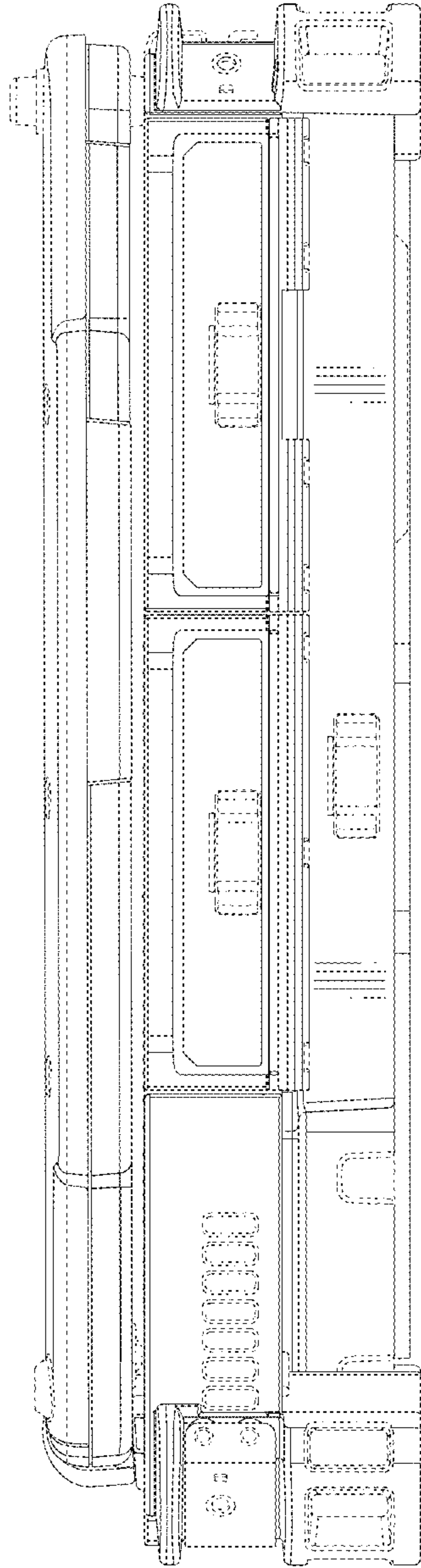


FIG. 4

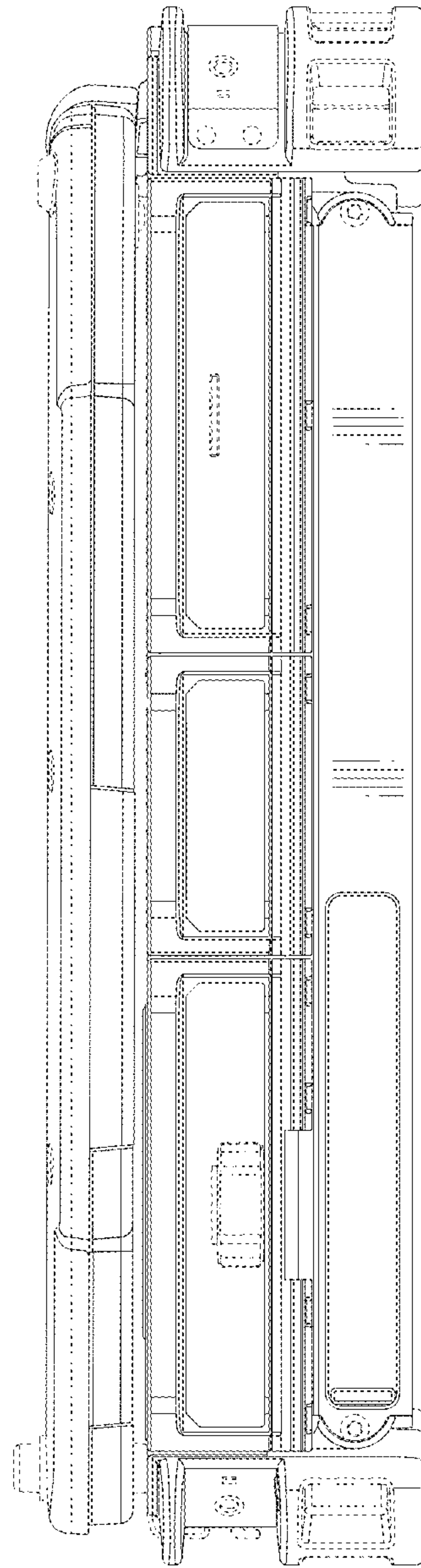


FIG. 5



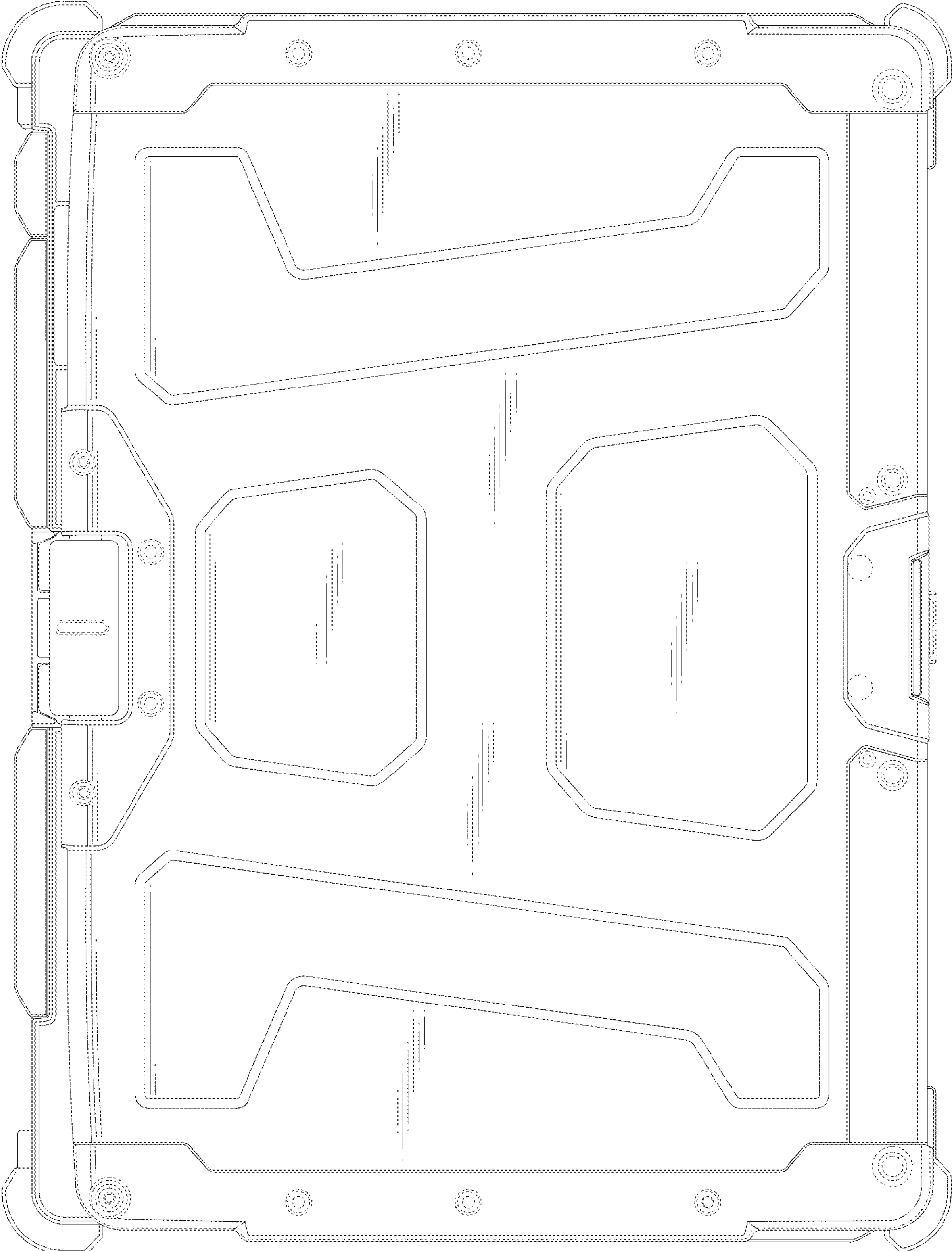


FIG. 6



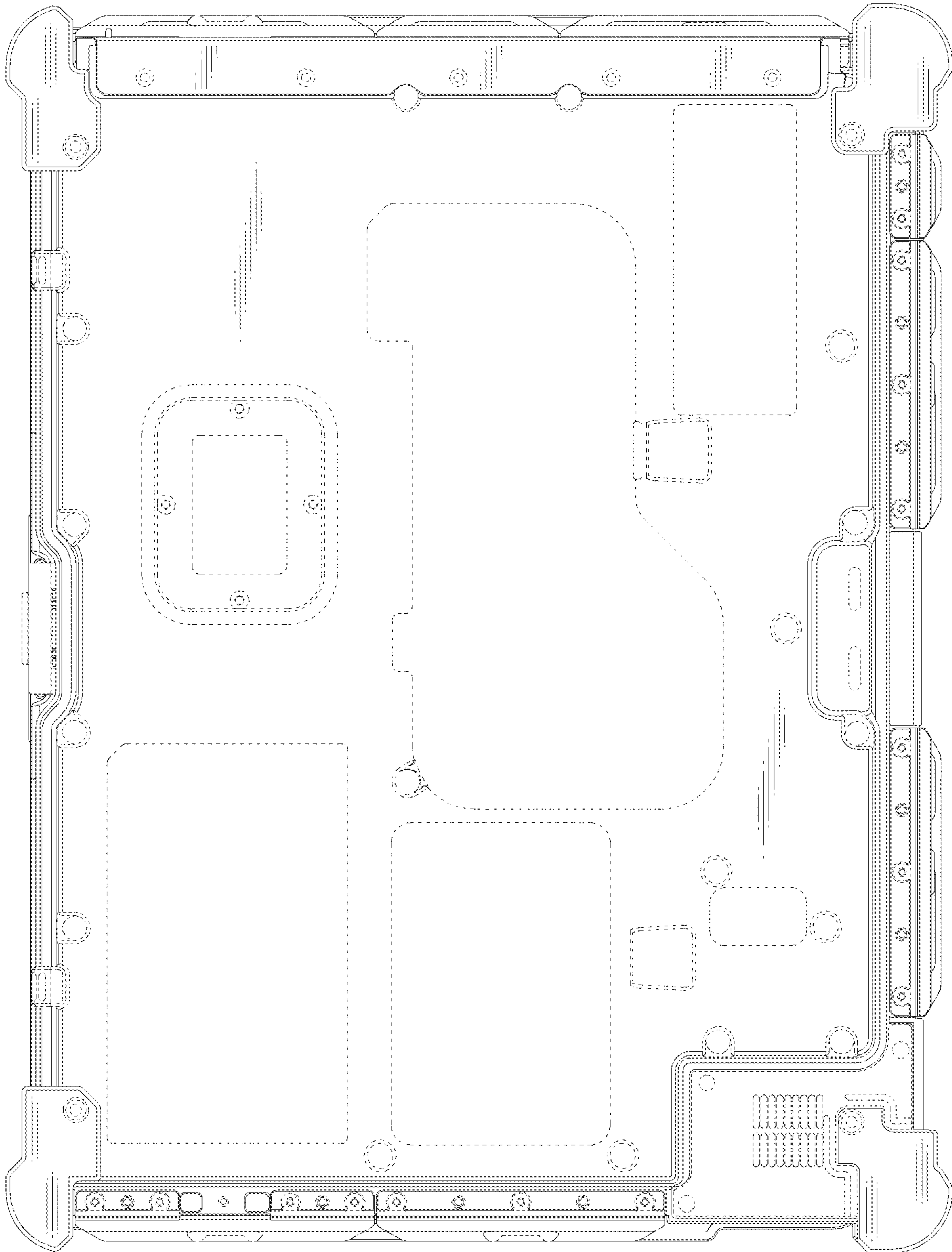


FIG. 7

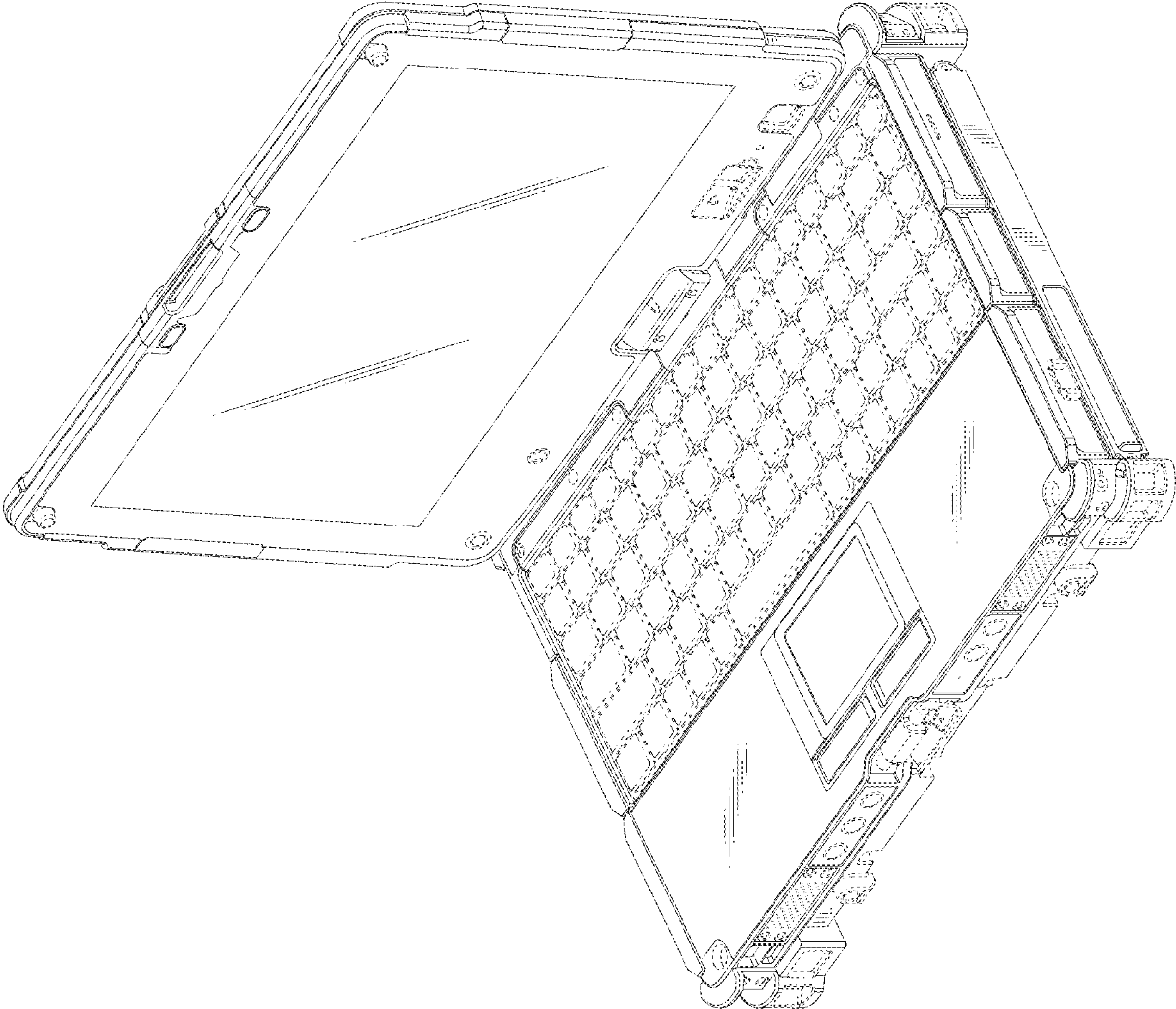


FIG. 8

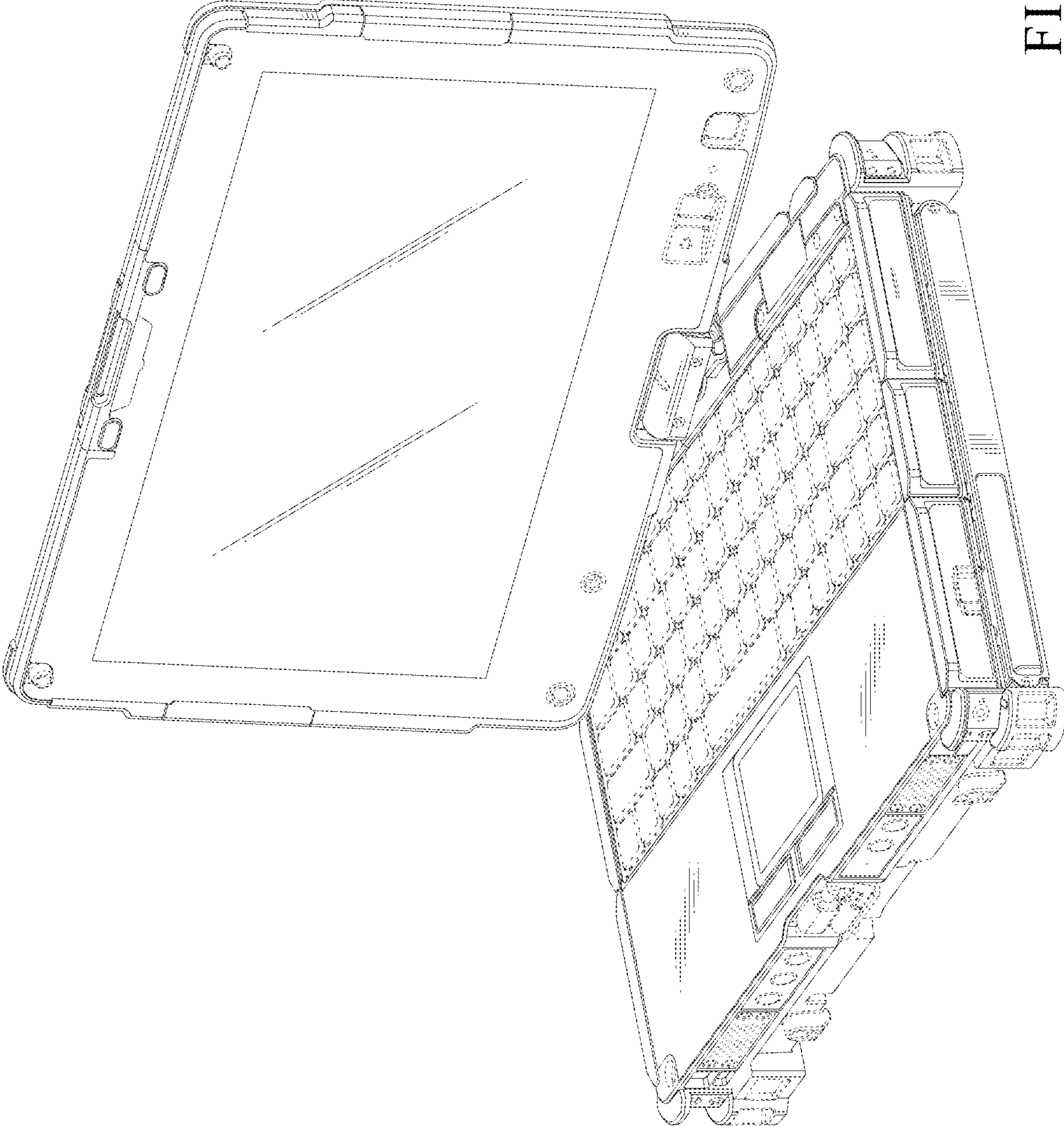


FIG. 9