



US00D962915S

(12) **United States Design Patent**
Wu et al.

(10) **Patent No.:** **US D962,915 S**

(45) **Date of Patent:** **** *Sep. 6, 2022**

(54) **GATEWAY BOX**

H04L 2012/5619; H04L 2012/6443;
H04L 29/12952; H04L 61/6077; H04L
49/90

(71) Applicant: **Shenzhen Envicool Information
Technology Co., Ltd., Shenzhen (CN)**

See application file for complete search history.

(72) Inventors: **Han Wu, Shenzhen (CN); Shusheng
Chen, Shenzhen (CN); Huanqing
Huang, Shenzhen (CN)**

(56) **References Cited**

(73) Assignee: **SHENZHEN ENVICOOOL
INFORMATION TECHNOLOGY
CO., LTD., Shenzhen (CN)**

U.S. PATENT DOCUMENTS

(*) Notice: This patent is subject to a terminal dis-
claimer.

D272,819 S *	2/1984	Bean	D13/162
D278,522 S *	4/1985	Hardesty	D13/164
D287,243 S *	12/1986	Tope	D13/164
4,819,235 A *	4/1989	Kelly	H04M 3/36 379/1.01
D327,689 S *	7/1992	Johnson	D14/217
D328,593 S *	8/1992	Hutton	D13/184
D329,425 S *	9/1992	Hutton	D13/184
D329,426 S *	9/1992	Hutton	D13/184
D330,702 S *	11/1992	Hutton	D13/184

(**) Term: **15 Years**

(Continued)

(21) Appl. No.: **29/775,113**

Primary Examiner — Marie D. Fast Horse

(22) Filed: **Mar. 22, 2021**

(74) *Attorney, Agent, or Firm* — Andrew C. Cheng

(30) **Foreign Application Priority Data**

Sep. 21, 2020 (CN) 202030560507.9

(51) **LOC (13) Cl.** **14-03**

(52) **U.S. Cl.**
USPC **D14/242; D14/358**

(58) **Field of Classification Search**
USPC D14/188, 195, 197, 198, 203.1, 203.6,
D14/204, 240, 242, 299, 125, 140, 140.1,
D14/140.4, 142, 155, 168, 496, 300, 302,
D14/308, 313, 348, 351, 388, 356, 357,
D14/358, 361, 362, 363, 365, 367, 370,
D14/432, 439, 440, 441, 443, 433;
D13/103, 107, 108, 123, 124, 152, 158,
D13/162, 162.1, 163, 184, 199, 147;
D10/46, 49, 104.1, 106.6, 116.1, 61, 64,
D10/75, 106.9

CPC ... H03F 3/00; H03F 3/45; H03F 3/181; H03F
3/189; H03F 3/20; H03F 1/00; H03F
1/08; H03F 1/18; H04L 49/1592; H04L
9/0855; H04L 12/40006; H04L 12/40195;

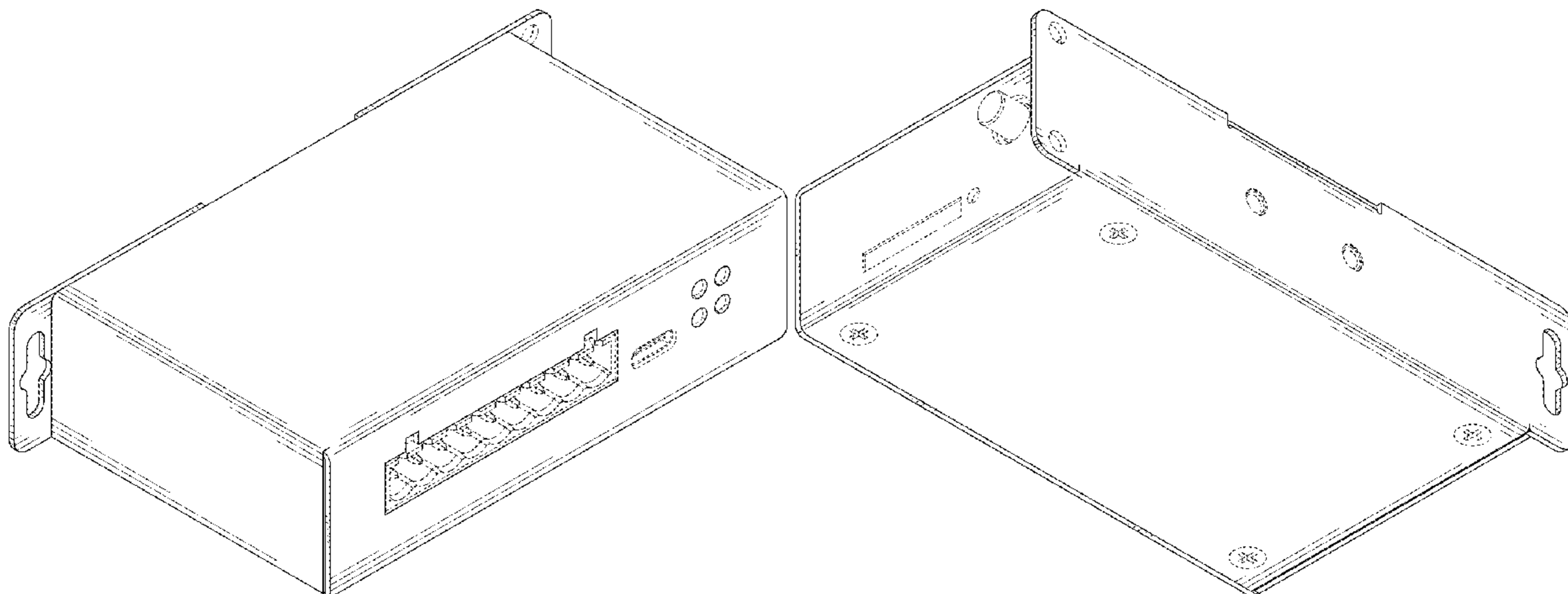
(57) **CLAIM**

We claim the ornamental design for a gateway box, as shown
and described.

DESCRIPTION

FIG. 1 is a front, left and top perspective view of a gateway
box showing our new design;
FIG. 2 is a rear, right and top perspective view thereof;
FIG. 3 is a rear, right and bottom perspective view thereof;
FIG. 4 is a front elevational view thereof;
FIG. 5 is a rear elevational view thereof;
FIG. 6 is a left side view thereof;
FIG. 7 is a right side view thereof;
FIG. 8 is a top plan view thereof; and,
FIG. 9 is a bottom plan view thereof.
The broken lines depict portions of the gateway box in
which the design is embodied that form no part of the
claimed design.

1 Claim, 4 Drawing Sheets



(56)

References Cited

U.S. PATENT DOCUMENTS

D349,503 S * 8/1994 Roy D14/140.4
 D371,555 S * 7/1996 Shushurin D14/188
 D376,360 S * 12/1996 Teulie D14/188
 D383,139 S * 9/1997 Hill D14/242
 D384,644 S * 10/1997 Chung D13/162
 D385,532 S * 10/1997 Watanabe D13/184
 D405,092 S * 2/1999 Ohshima D13/147
 D451,883 S * 12/2001 Reynolds D13/110
 D452,475 S * 12/2001 Reynolds D13/110
 D455,422 S * 4/2002 Bath D14/301
 D465,216 S * 11/2002 Zdinak D14/140.4
 D465,782 S * 11/2002 Johnsen D14/140.4
 D466,111 S * 11/2002 Johnsen D14/140.4
 D475,705 S * 6/2003 Coglitore D14/356
 D476,986 S * 7/2003 Andre D14/313
 D477,570 S * 7/2003 Zdinak D14/240
 D481,366 S * 10/2003 Lee D14/313
 D493,152 S * 7/2004 Baker D13/182
 D494,966 S * 8/2004 Andre D14/441
 D542,284 S * 5/2007 Kim D14/140.7
 D559,186 S * 1/2008 Kelmer D13/147
 D564,510 S * 3/2008 Cox D14/313
 D567,211 S * 4/2008 Horinouchi D14/188
 D591,745 S * 5/2009 Lee D14/357
 D635,561 S * 4/2011 Nakashima D14/240
 D673,570 S * 1/2013 Wallace D14/444

D710,821 S * 8/2014 Marklund D14/188
 D719,128 S * 12/2014 Teulie D14/188
 D722,060 S * 2/2015 Kwon D14/445
 D722,588 S * 2/2015 Boyd D14/188
 D724,558 S * 3/2015 Bast D14/188
 D730,307 S * 5/2015 Tang D14/125
 D754,096 S * 4/2016 Teulie D14/188
 D767,545 S * 9/2016 Jeon D14/240
 D767,546 S * 9/2016 Kwak D14/240
 D785,616 S * 5/2017 Zimmermann D14/313
 D788,066 S * 5/2017 Williamson D14/188
 D795,244 S * 8/2017 Zimmermann D14/313
 D798,171 S * 9/2017 Blier D10/75
 D807,857 S * 1/2018 Corten D14/188
 D820,234 S * 6/2018 Desmond D14/140.4
 D835,092 S * 12/2018 Fu D14/301
 D863,250 S * 10/2019 Liu D14/188
 D886,752 S * 6/2020 Xiang D14/313
 D895,561 S * 9/2020 Xiang D14/313
 D896,191 S * 9/2020 Xiang D14/313
 D929,360 S * 8/2021 Fouché D14/188
 D932,494 S * 10/2021 Vozzi D14/441
 D933,666 S * 10/2021 Vozzi D14/441
 D937,234 S * 11/2021 Xiang D14/313
 D937,235 S * 11/2021 Xiang D13/133
 D937,236 S * 11/2021 Xiang D14/313
 2009/0245746 A1 * 10/2009 Krampotich G02B 6/4452
 385/135

* cited by examiner

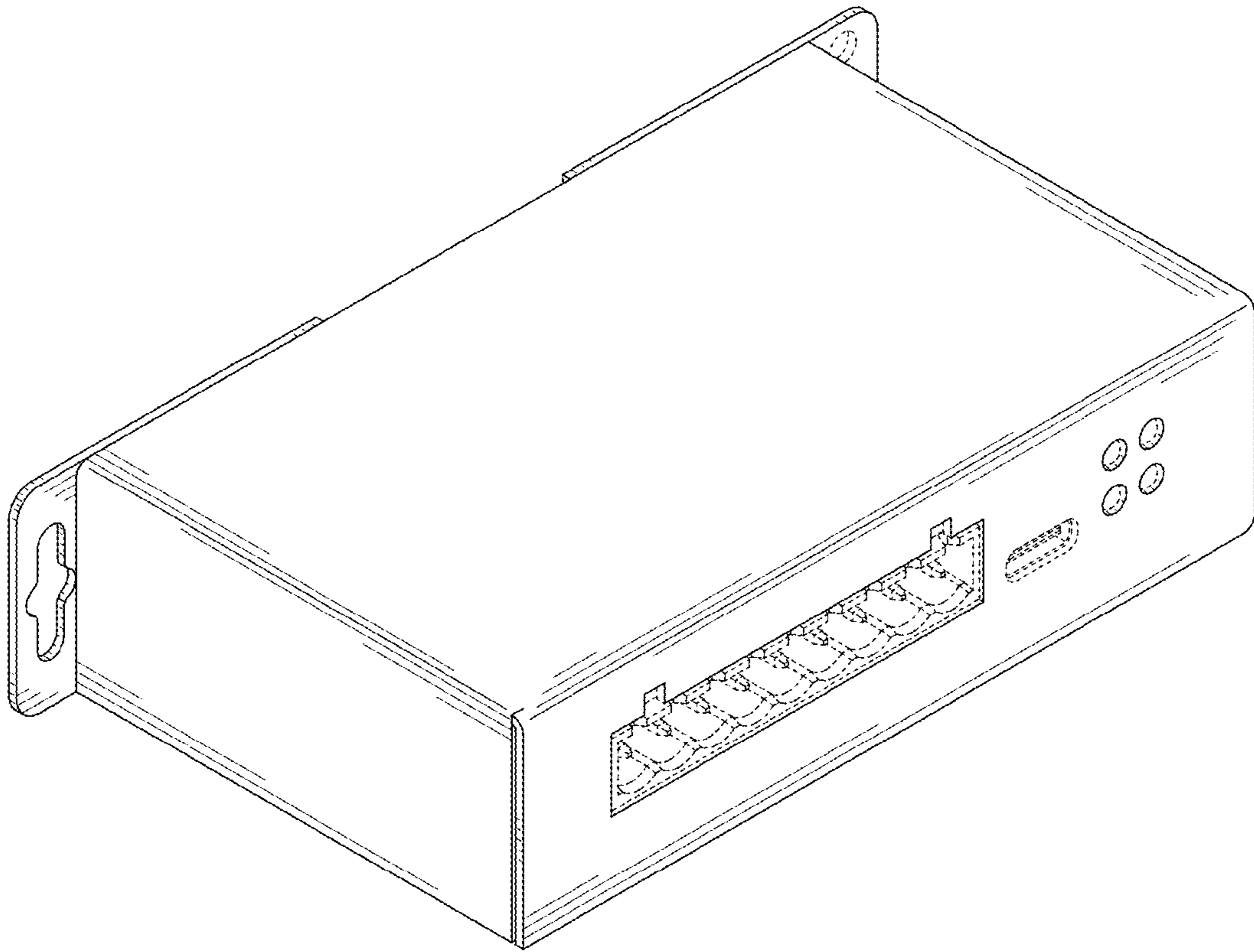


FIG. 1

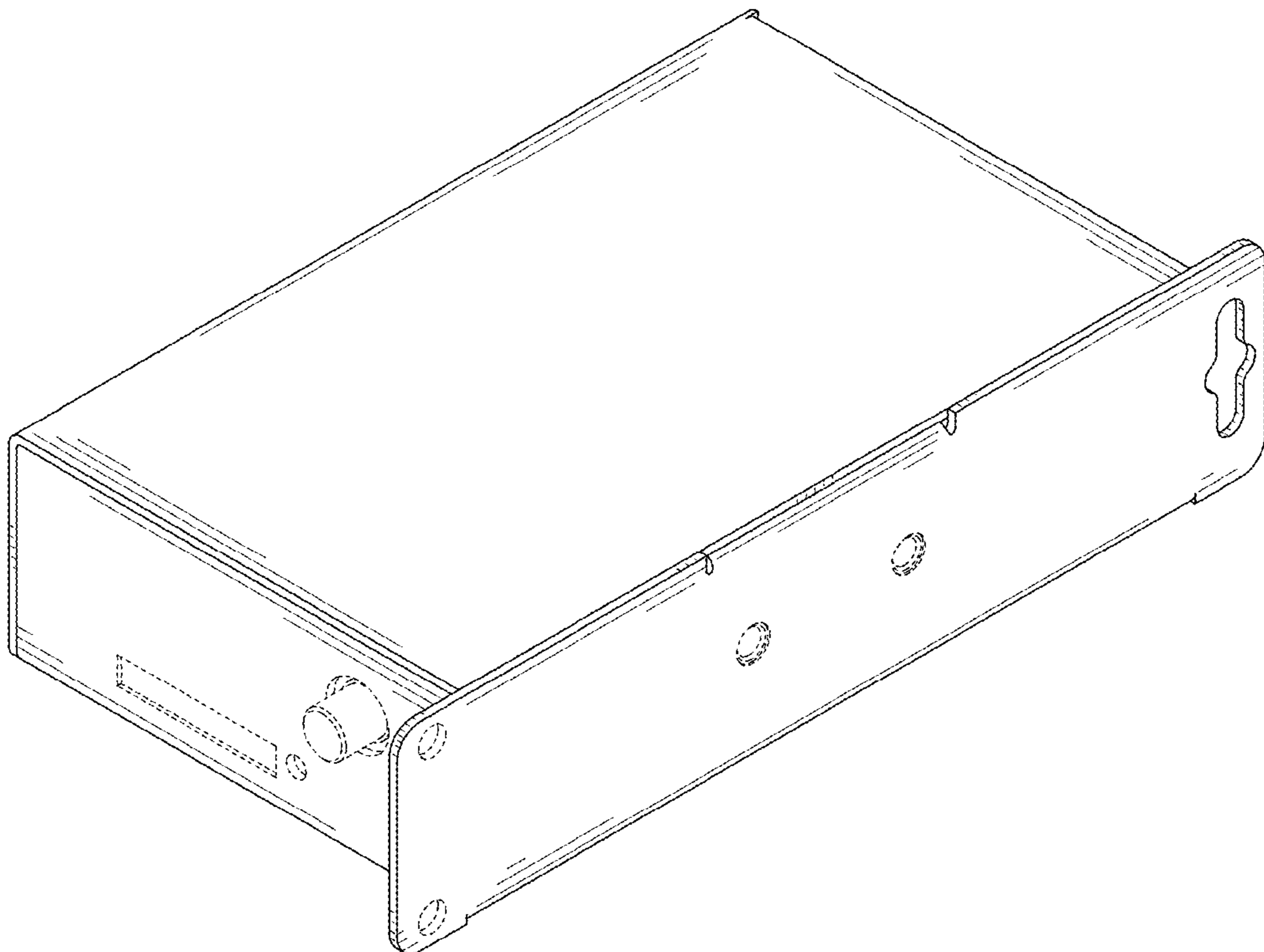


FIG. 2

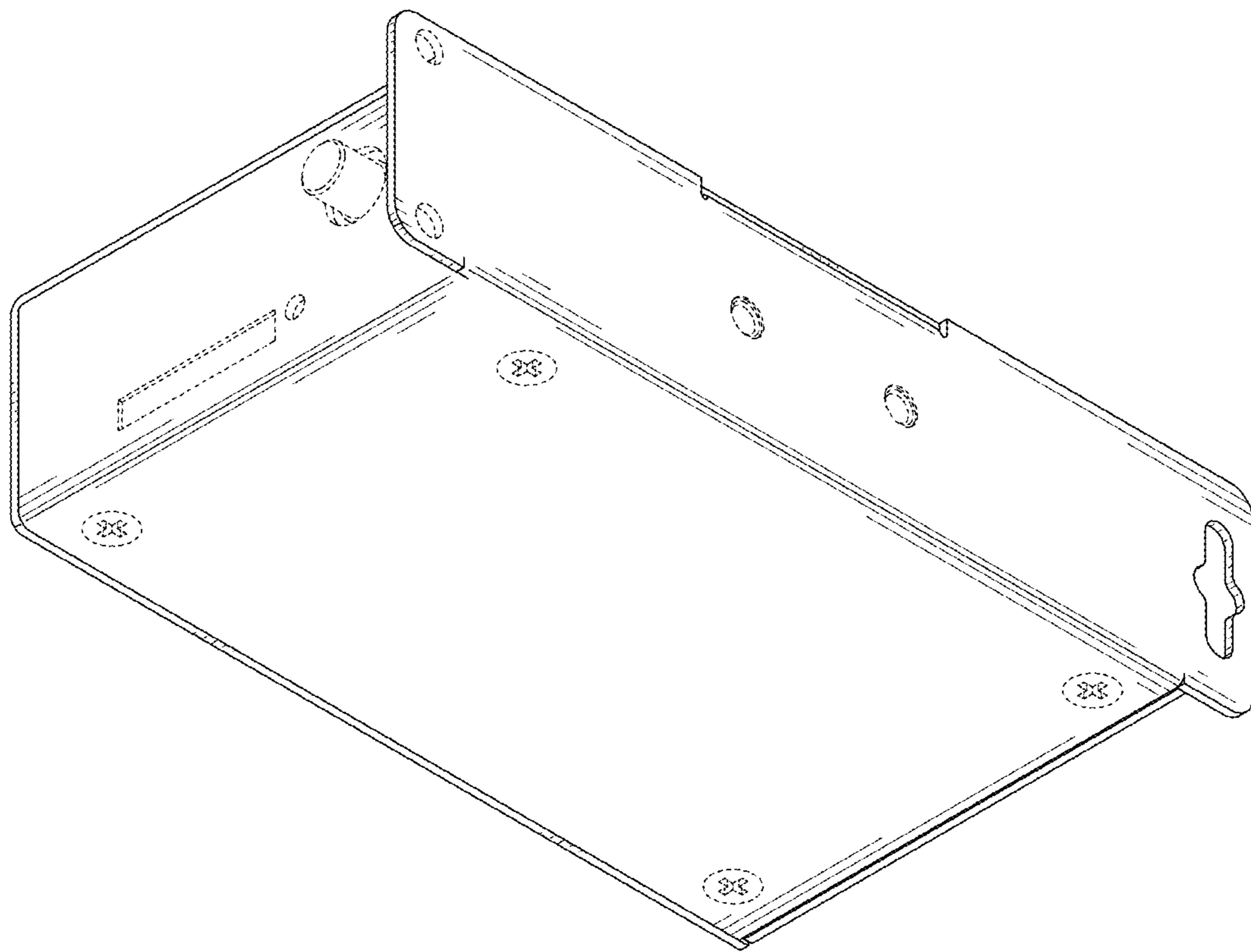


FIG. 3

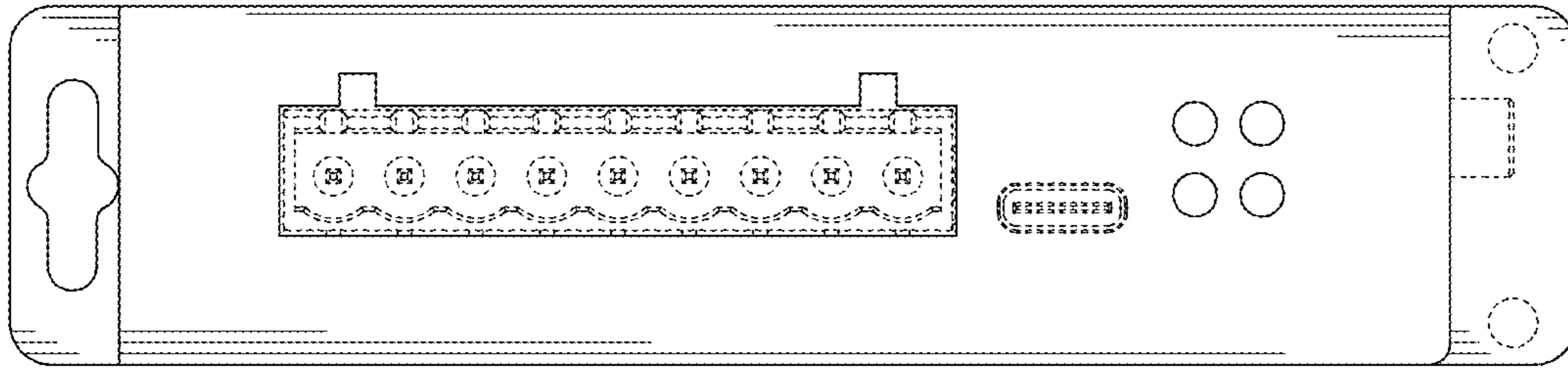


FIG. 4

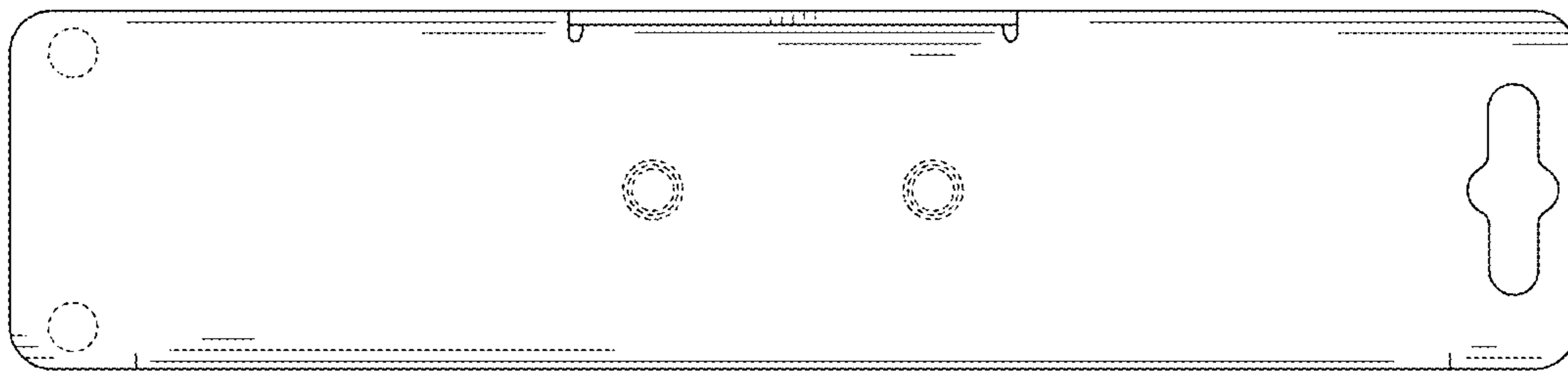


FIG. 5

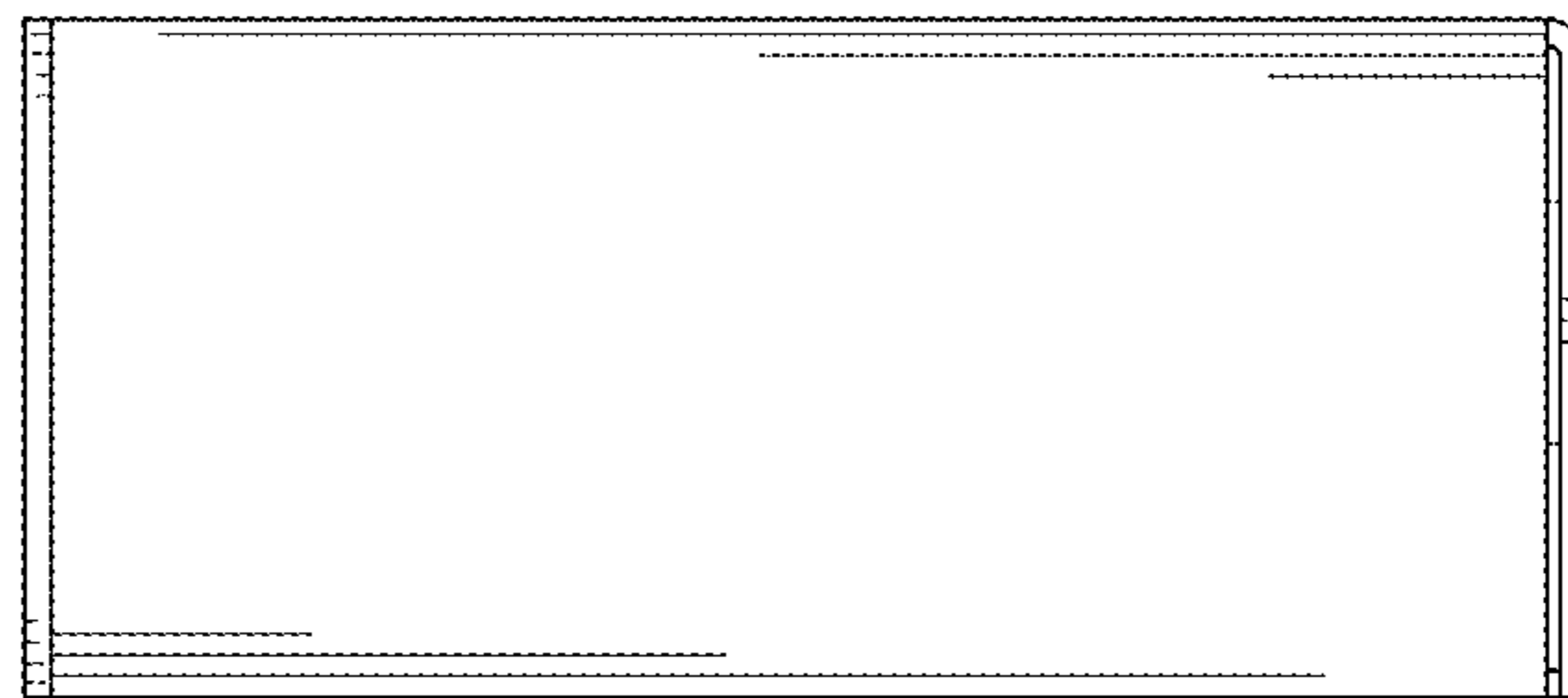


FIG. 6

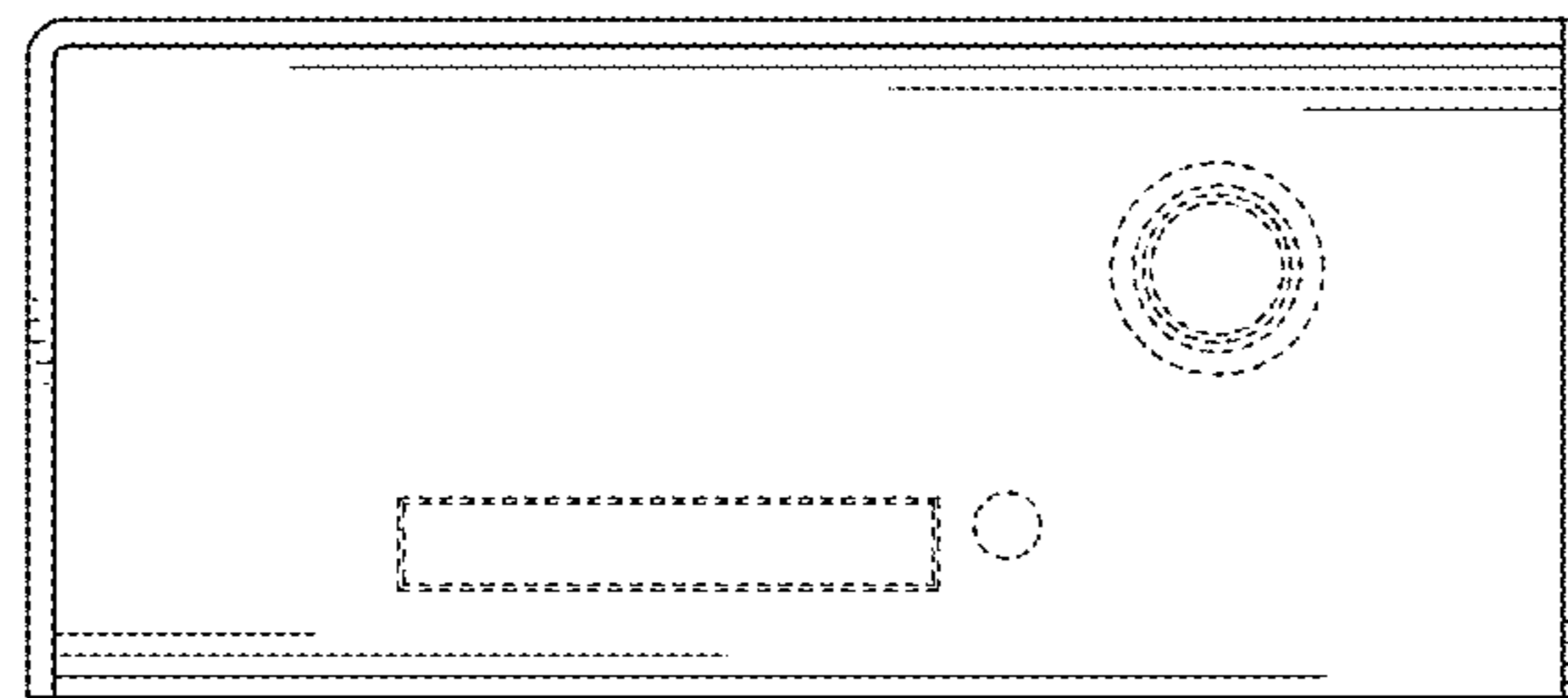


FIG. 7

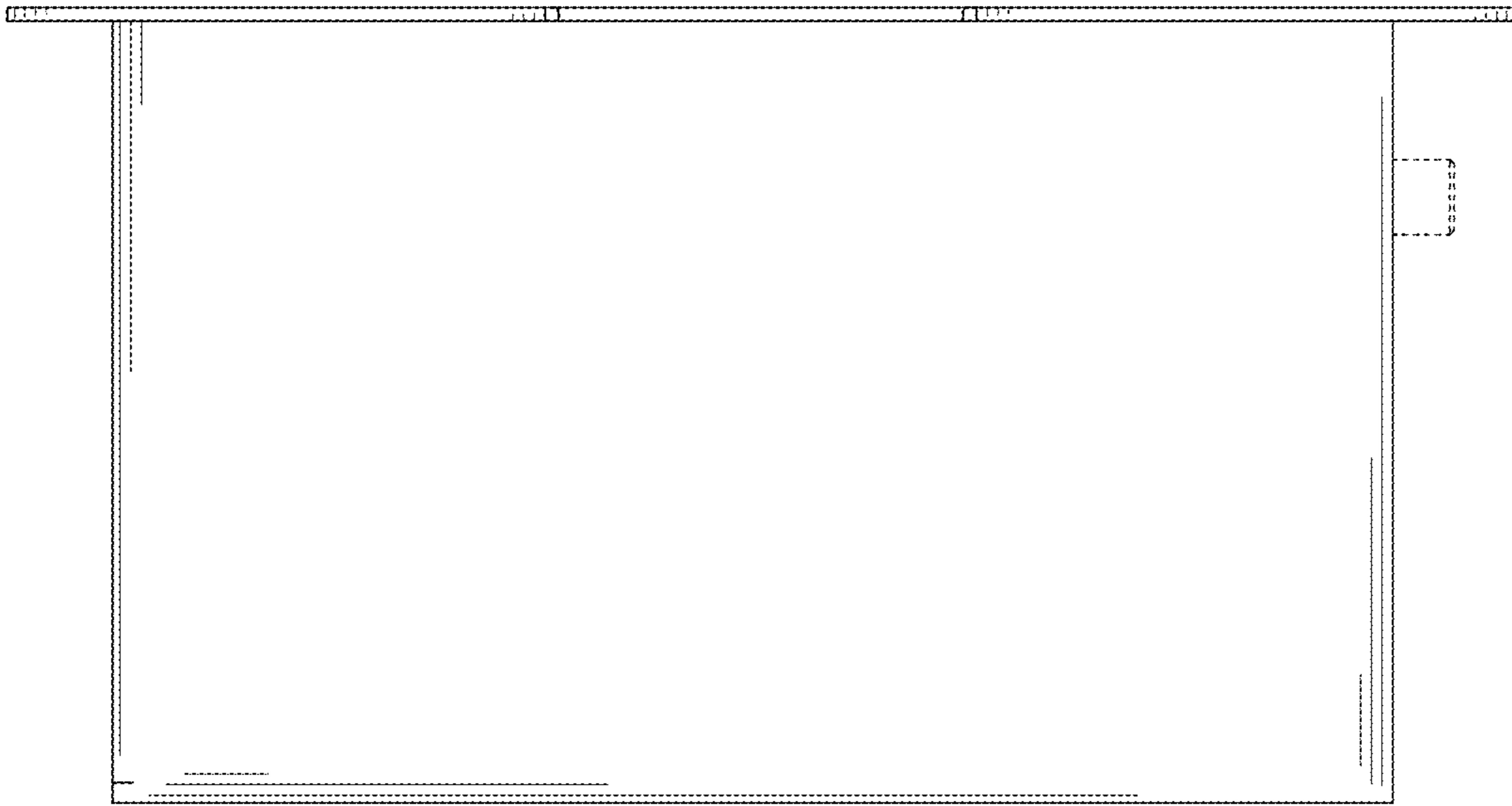


FIG. 8

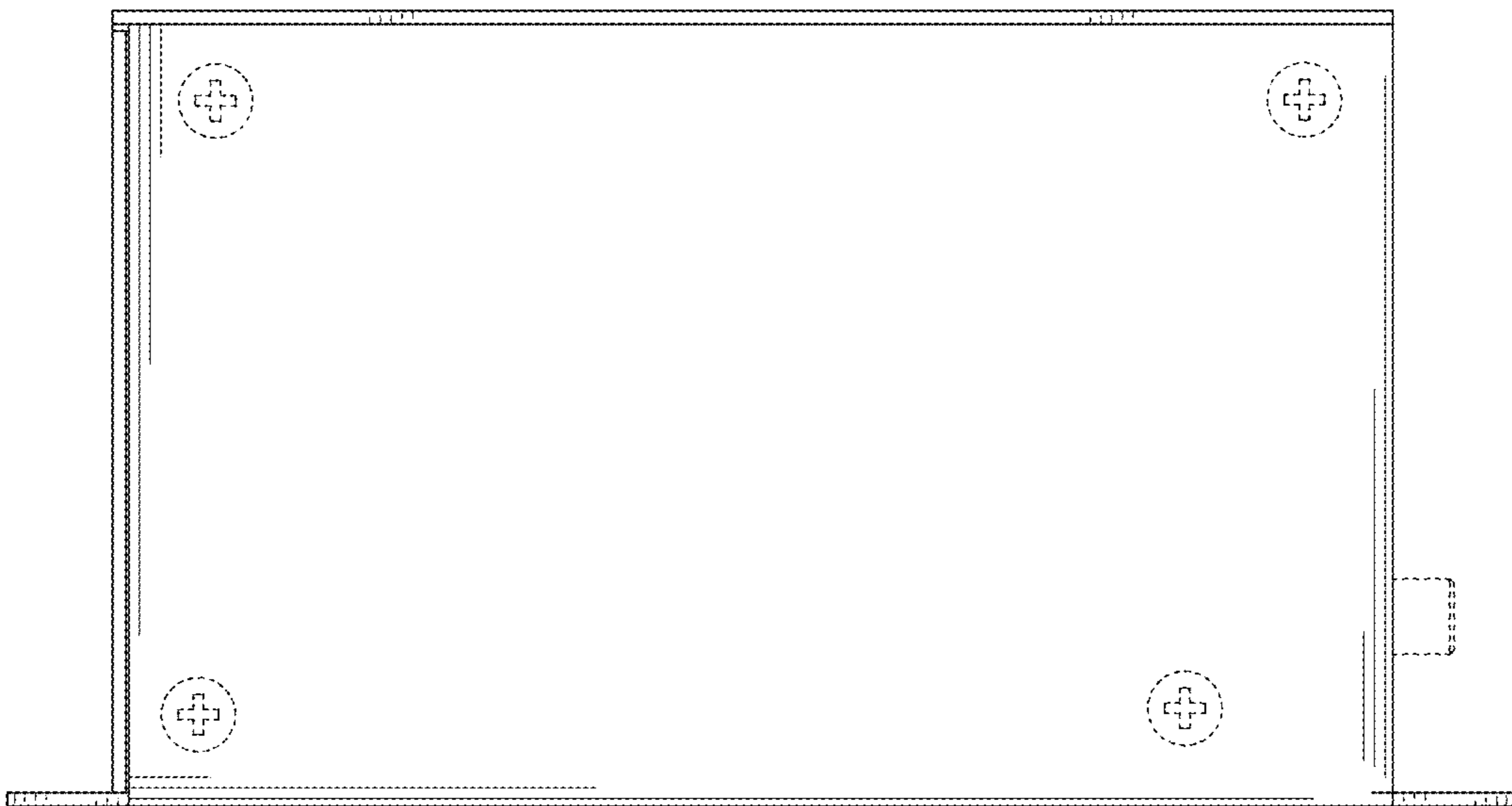


FIG. 9