



US00D962914S

(12) **United States Design Patent** (10) **Patent No.:** **US D962,914 S**
Ju (45) **Date of Patent:** **** Sep. 6, 2022**

(54) **ROUTER**

(71) Applicant: **Samsung Electronics Co., Ltd.**,
Suwon-si (KR)

(72) Inventor: **Taihyung Ju**, Suwon-si (KR)

(73) Assignee: **SAMSUNG ELECTRONICS CO., LTD.**,
Suwon-si (KR)

(**) Term: **15 Years**

(21) Appl. No.: **29/772,131**

(22) Filed: **Feb. 26, 2021**

(30) **Foreign Application Priority Data**

Oct. 16, 2020 (KR) 30-2020-0049606

(51) **LOC (13) Cl.** **14-03**

(52) **U.S. Cl.**
USPC **D14/242**

(58) **Field of Classification Search**
USPC D14/240, 242, 357, 358, 140-140.9, 155,
D14/125, 137, 139, 243, 348, 349, 351,
D14/354, 355, 433, 435.1
CPC H04L 12/00; H03K 17/00; H04W 88/00;
H04W 88/005; H04W 88/02; H04W
88/08; H04W 88/085; H04W 88/10;
H04W 88/12; H04W 88/14; H04B 1/38
See application file for complete search history.

(56) **References Cited**

U.S. PATENT DOCUMENTS

D368,261 S *	3/1996	Shushurin	D14/188
D390,235 S *	2/1998	Tucker	D13/184
D478,061 S *	8/2003	Abe	D14/188
D490,805 S *	6/2004	Lee	D14/312
D651,200 S *	12/2011	Sugime	D14/240
D759,648 S *	6/2016	Ting	D14/313
D766,222 S *	9/2016	Chen	D14/240

D798,856 S *	10/2017	Menendez	D14/313
D900,796 S *	11/2020	Wang	D14/242
D904,362 S *	12/2020	Menendez	D14/240
D914,679 S *	3/2021	Tsai	D14/328
D918,882 S *	5/2021	Andersson	D14/240
2019/0104644 A1 *	4/2019	Shoji	H04B 7/26

FOREIGN PATENT DOCUMENTS

CN	307203295	*	3/2022
EM	002235960-0001		5/2013
EM	002633321-0001		9/2017
EM	005618295-0004		9/2018
JP	D1698461	*	11/2021
KR	30-0467523		11/2007
KR	30-0757450		8/2014
KR	301079479.0000	*	10/2020
KR	301126933.0000	*	9/2021
KR	301135296.0000	*	11/2021
KR	301140405.0000	*	12/2021
WO	D215030-001	*	12/2021

* cited by examiner

Primary Examiner — Bridget L Eland
(74) *Attorney, Agent, or Firm* — McAndrews Held & Malloy, Ltd.

(57) **CLAIM**

The ornamental design for a router, as shown and described.

DESCRIPTION

FIG. 1 is a front perspective view of a router showing my new design;
FIG. 2 is a front view thereof;
FIG. 3 is a rear view thereof;
FIG. 4 is a left side view thereof;
FIG. 5 is a right side view thereof;
FIG. 6 is a top view thereof; and,
FIG. 7 is a bottom view thereof.
The dashed broken lines in the figures illustrate portions of the router that form no part of the claimed design.

1 Claim, 7 Drawing Sheets

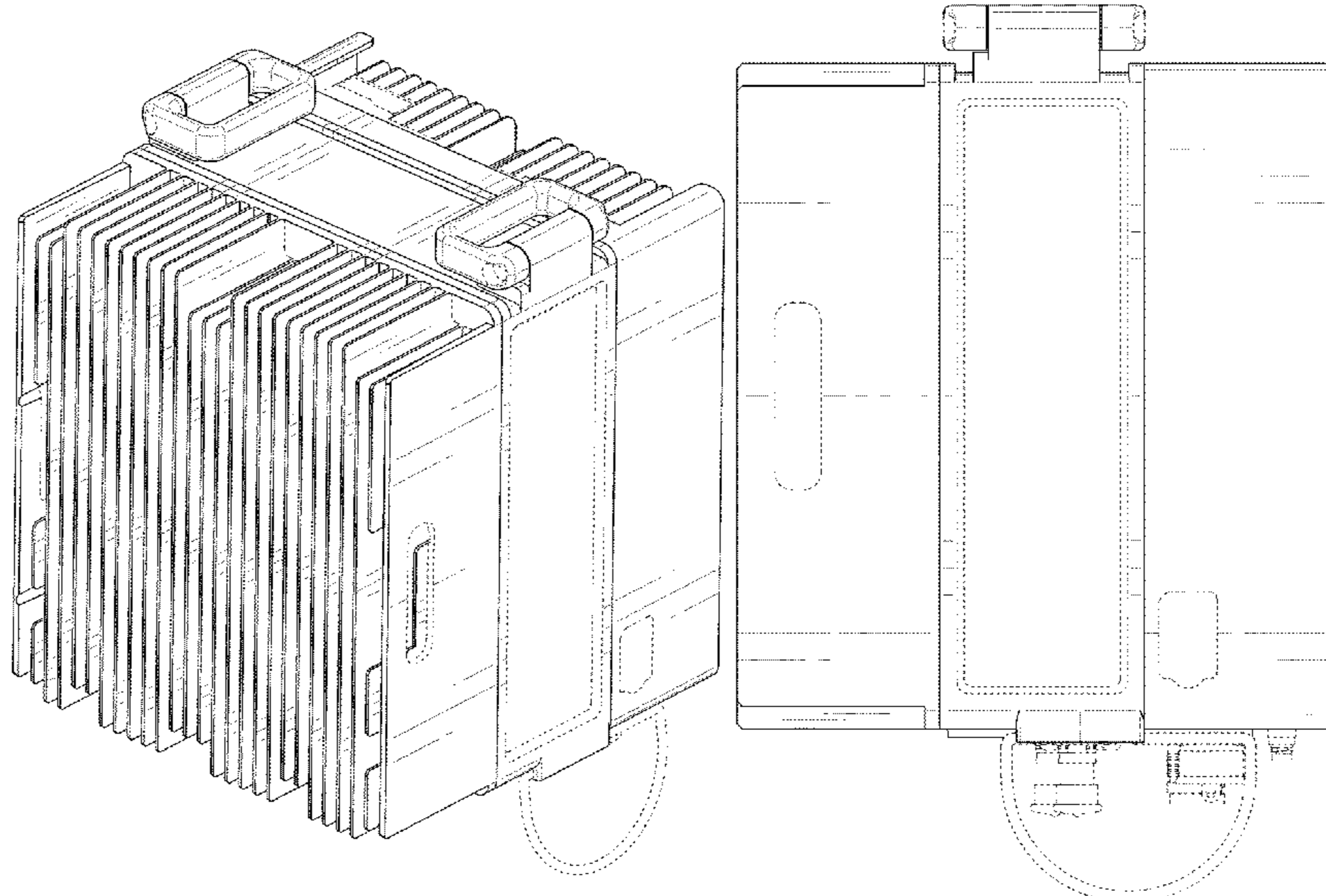


FIG. 1

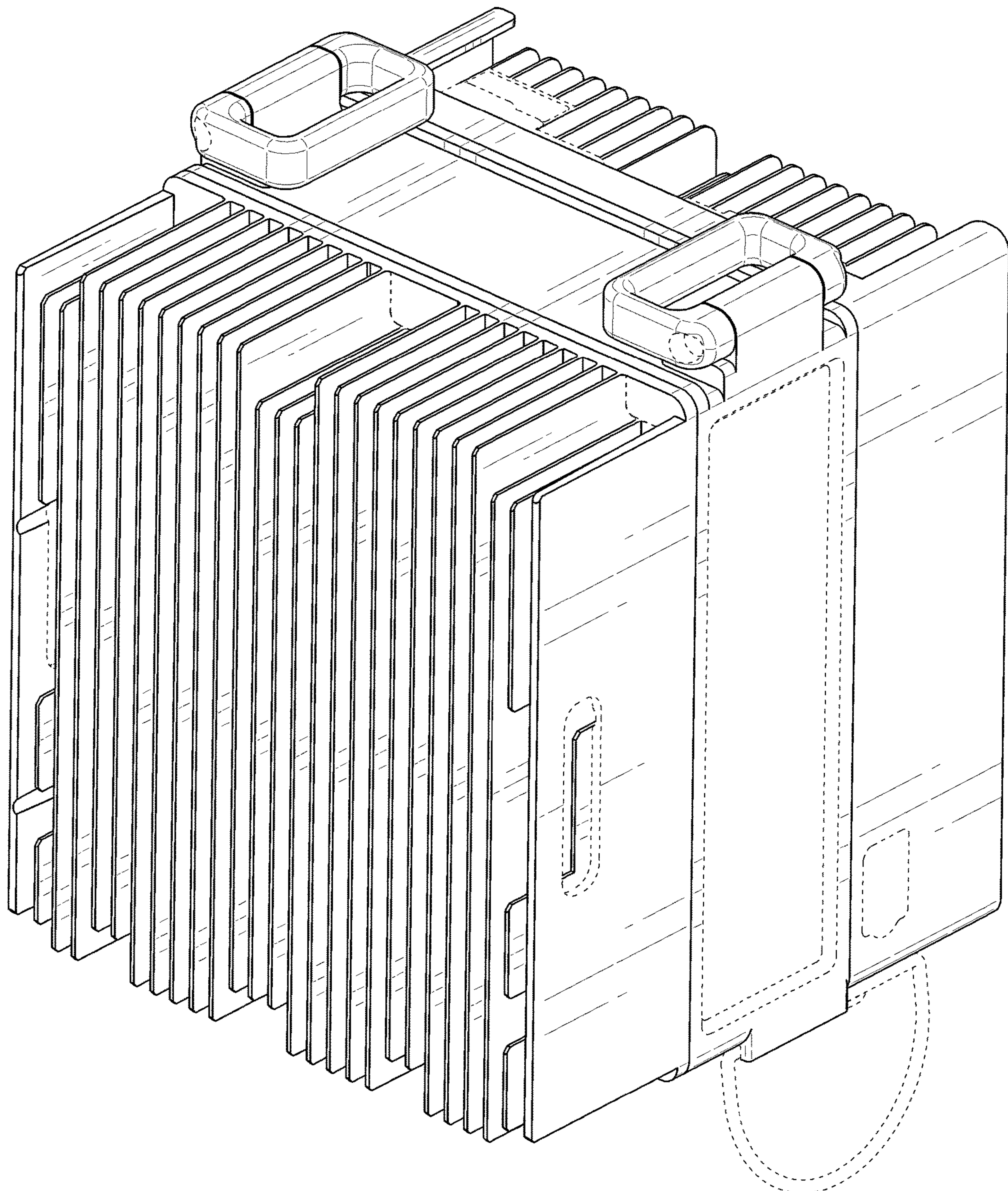


FIG. 2

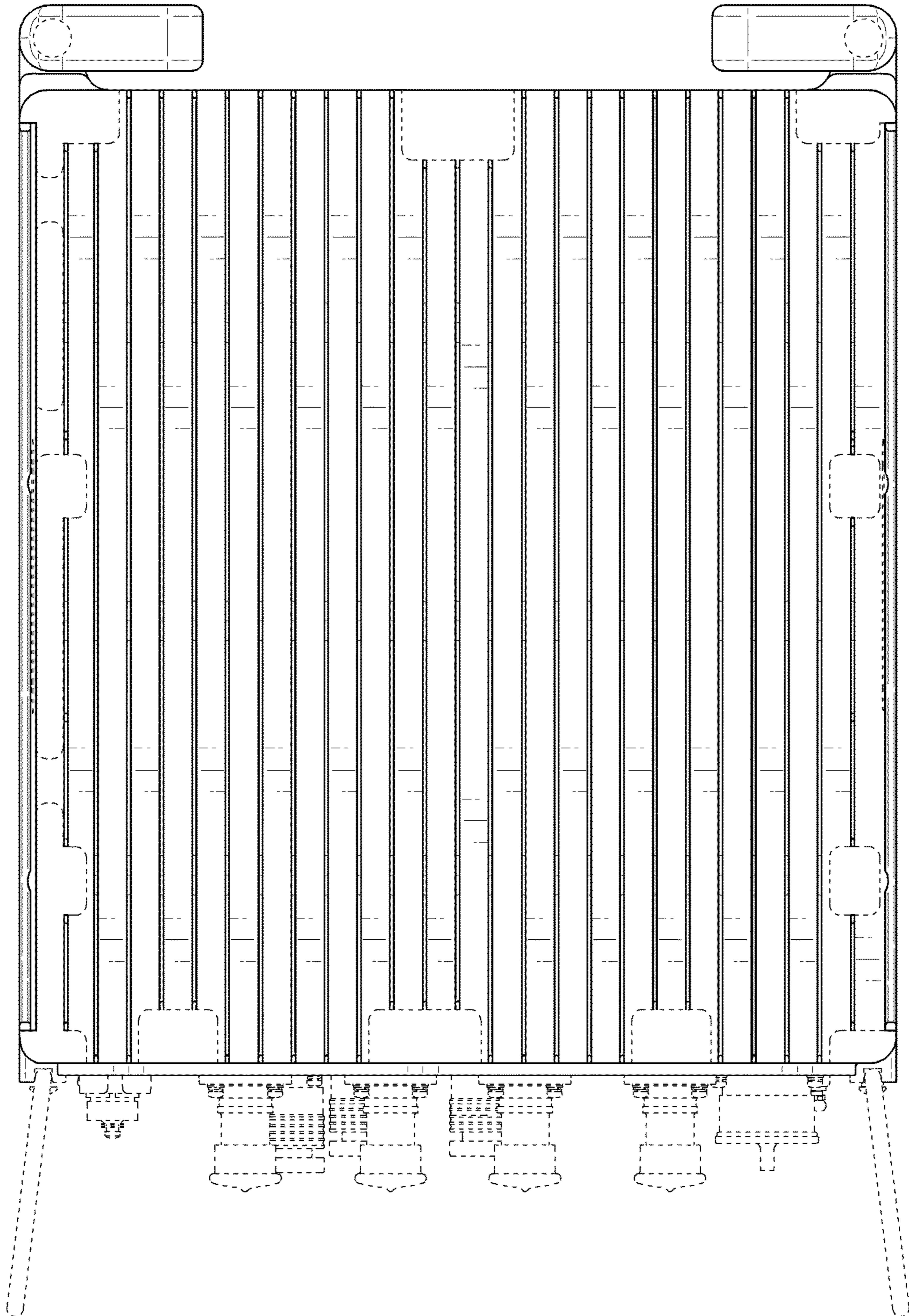


FIG. 3

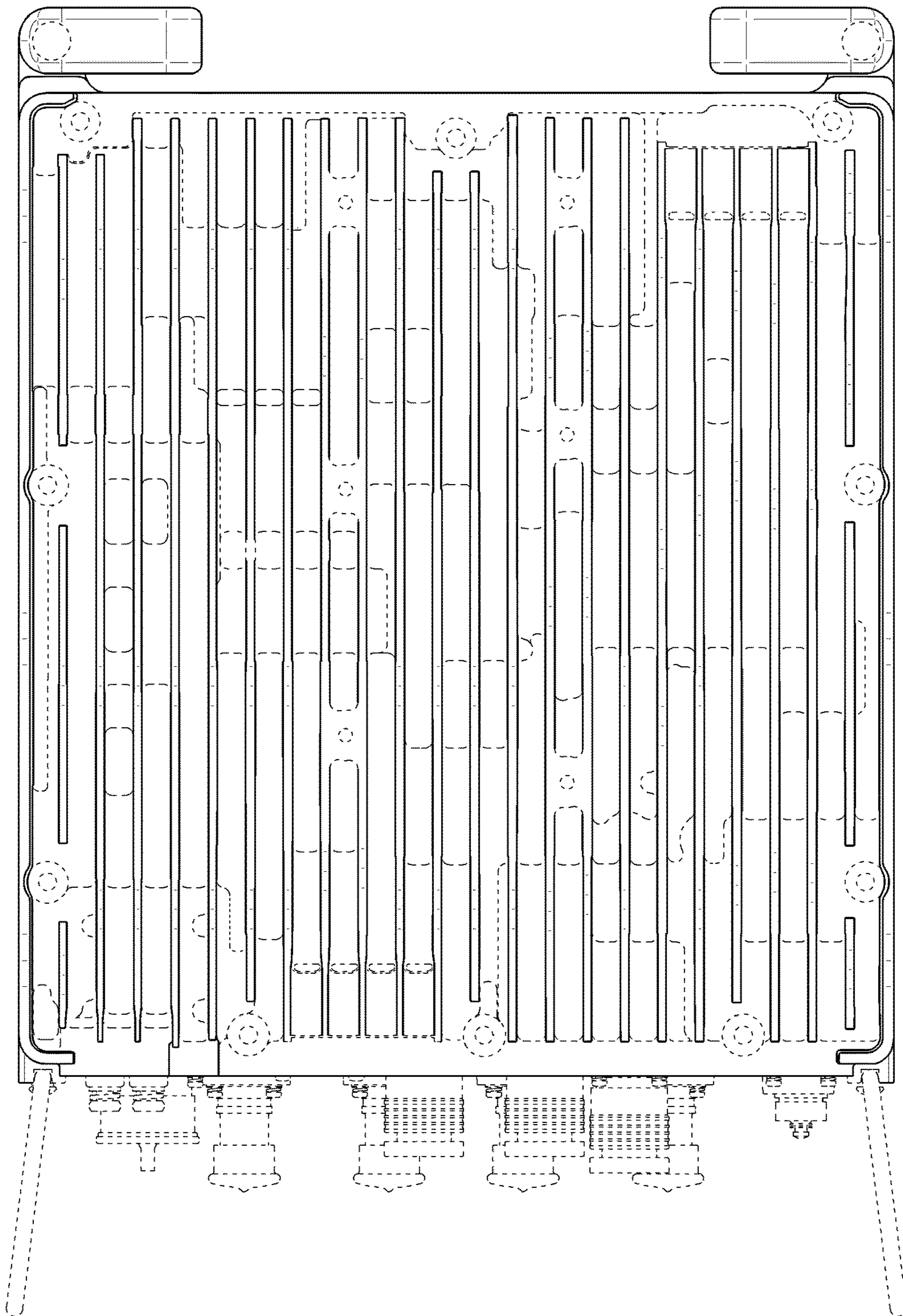


FIG. 4

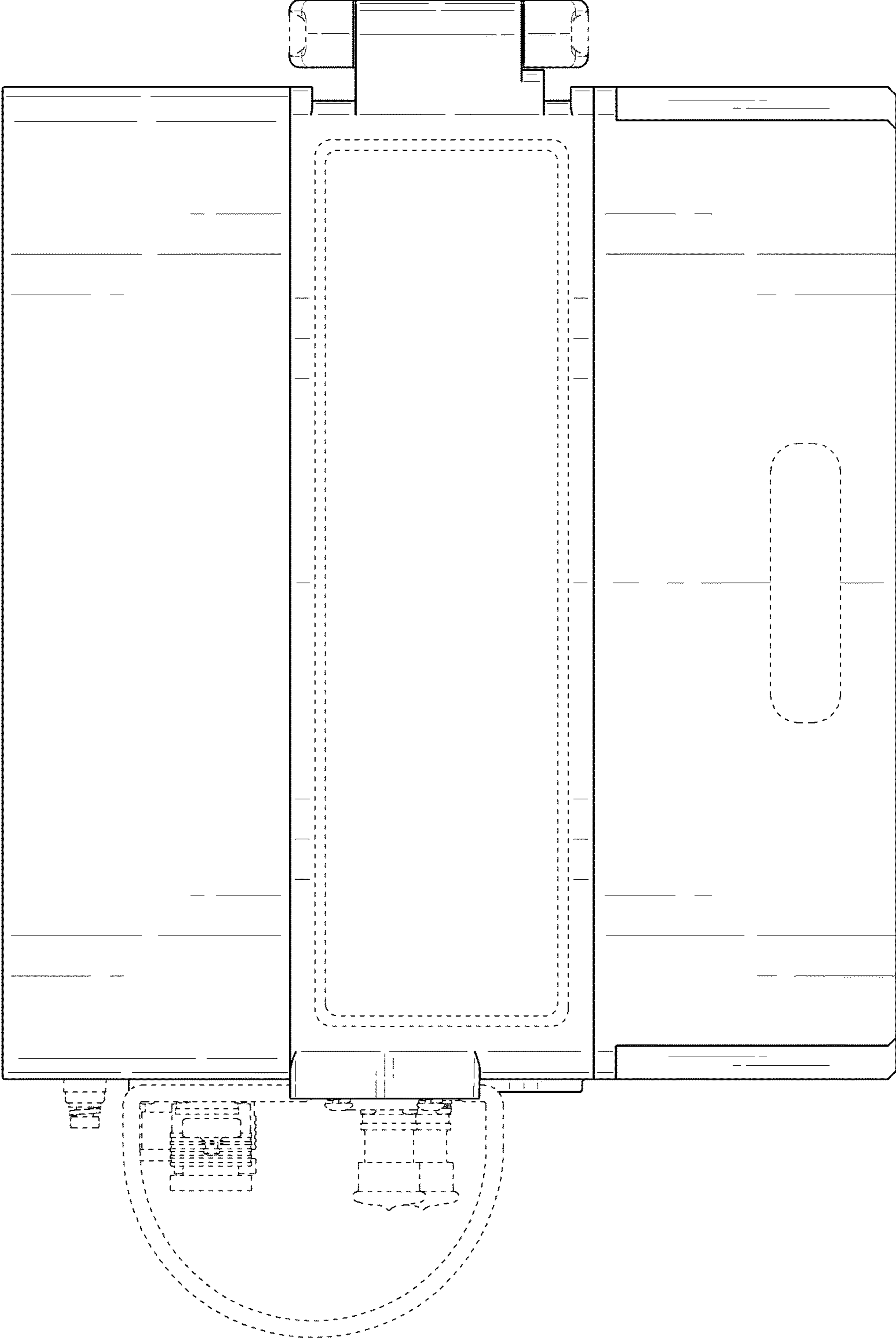


FIG. 5

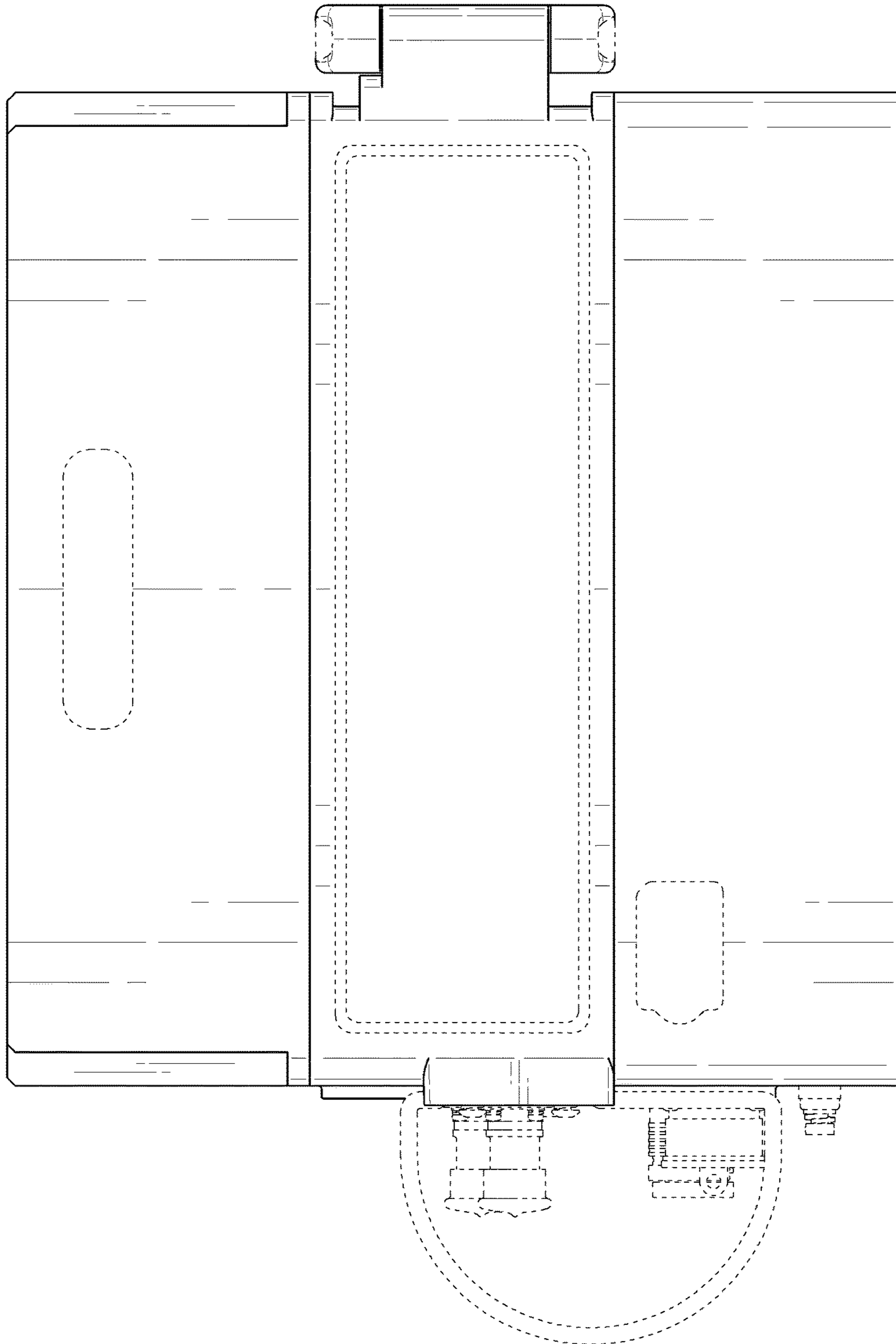


FIG. 6

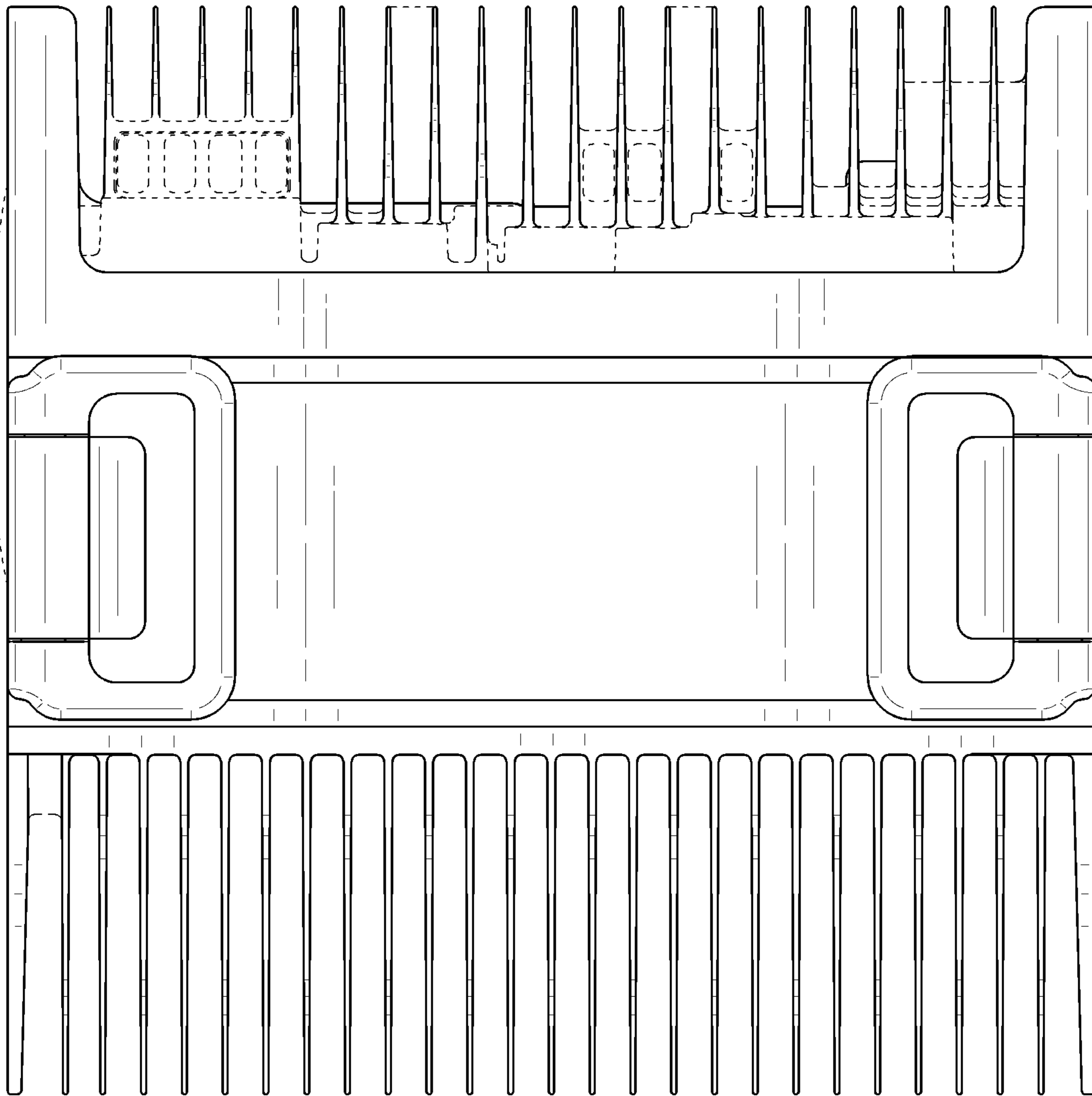


FIG. 7

