



US00D962912S

(12) **United States Design Patent** (10) **Patent No.:** **US D962,912 S**
Jang et al. (45) **Date of Patent:** **** Sep. 6, 2022**

(54) **ROUTER**
(71) Applicant: **SAMSUNG ELECTRONICS CO., LTD.**, Suwon-si (KR)
(72) Inventors: **Moonjung Jang**, Suwon-si (KR); **Jihee Kwak**, Suwon-si (KR); **Jihyun Moon**, Suwon-si (KR); **Eunuae Lee**, Suwon-si (KR); **Soyoon Jeon**, Suwon-si (KR)
(73) Assignee: **SAMSUNG ELECTRONICS CO., LTD.**, Gyeonggi-Do (KR)

D845,925 S * 4/2019 Bellinghausen D14/204
D873,797 S * 1/2020 Liniado D14/216
D894,881 S * 9/2020 Hsu D14/240
D906,287 S * 12/2020 Waterman D14/216
D922,353 S * 6/2021 Liniado D14/216
D928,755 S * 8/2021 Jang D14/240

(**) Term: **15 Years**
(21) Appl. No.: **29/736,633**
(22) Filed: **Jun. 2, 2020**

FOREIGN PATENT DOCUMENTS

EM 000978903-0005 8/2008
EM 001247498-0001 12/2010
IN 330471001 * 3/2021
WO DM096830 5/2017

* cited by examiner

Primary Examiner — Khawaja Anwar
Assistant Examiner — Megan Tiana Rakos
(74) *Attorney, Agent, or Firm* — Cantor Colburn LLP

(30) **Foreign Application Priority Data**

Feb. 27, 2020 (KR) 30-2020-0008837

(51) **LOC (13) Cl.** **14-03**
(52) **U.S. Cl.**
USPC **D14/242**
(58) **Field of Classification Search**
USPC D13/103; D14/168, 210, 216, 496
CPC .. H04R 1/026; H04R 1/025; H04R 2201/029;
H04R 5/04
See application file for complete search history.

(57) **CLAIM**

The ornamental design for a router, as shown and described.

DESCRIPTION

(56) **References Cited**

U.S. PATENT DOCUMENTS

D665,348 S 8/2012 Ledbetter et al.
D669,072 S 10/2012 Huang
D773,389 S * 12/2016 Miller D13/103
D804,460 S 12/2017 Li
D826,845 S * 8/2018 Greiner D13/103
D841,574 S * 2/2019 Ma D13/103

FIG. 1 is a perspective view of a router, showing our new design;
FIG. 2 is a front view thereof;
FIG. 3 is a rear view thereof;
FIG. 4 is a left-side view thereof;
FIG. 5 is a right-side view thereof;
FIG. 6 is a top view thereof;
FIG. 7 is a bottom view thereof;
FIG. 8 is an enlarged view of the encircled portion 8 of FIG. 1; and,
FIG. 9 is an enlarged view of the encircled portion 9 of FIG. 5.

The even broken lines illustrating portions of the router form no part of the claimed design. The dot-dot-dash broken lines encircling enlargement portions of the design form no part of the claimed design.

1 Claim, 9 Drawing Sheets

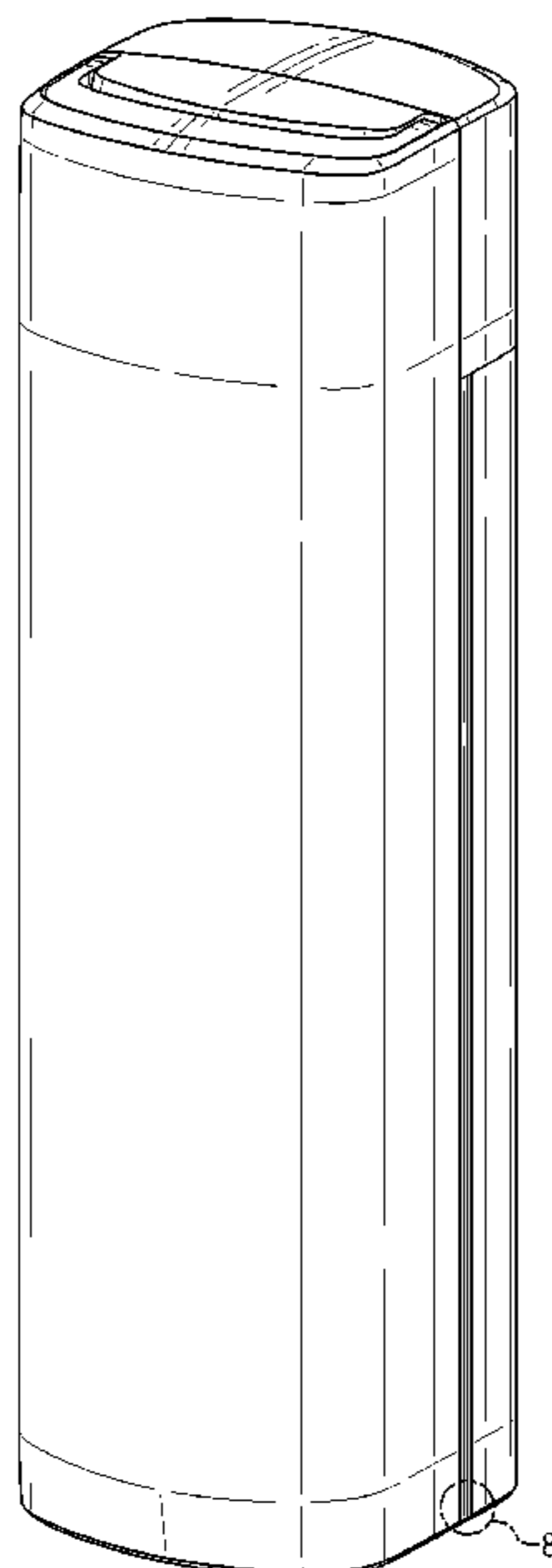


FIG. 1

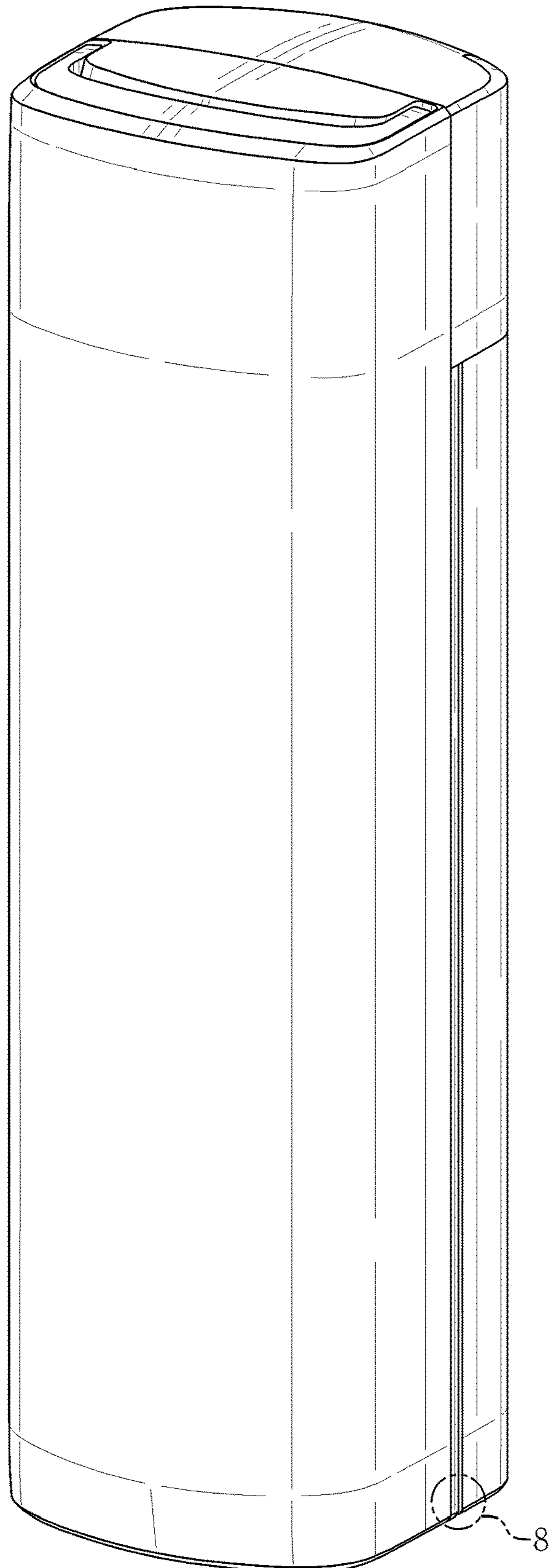


FIG. 2

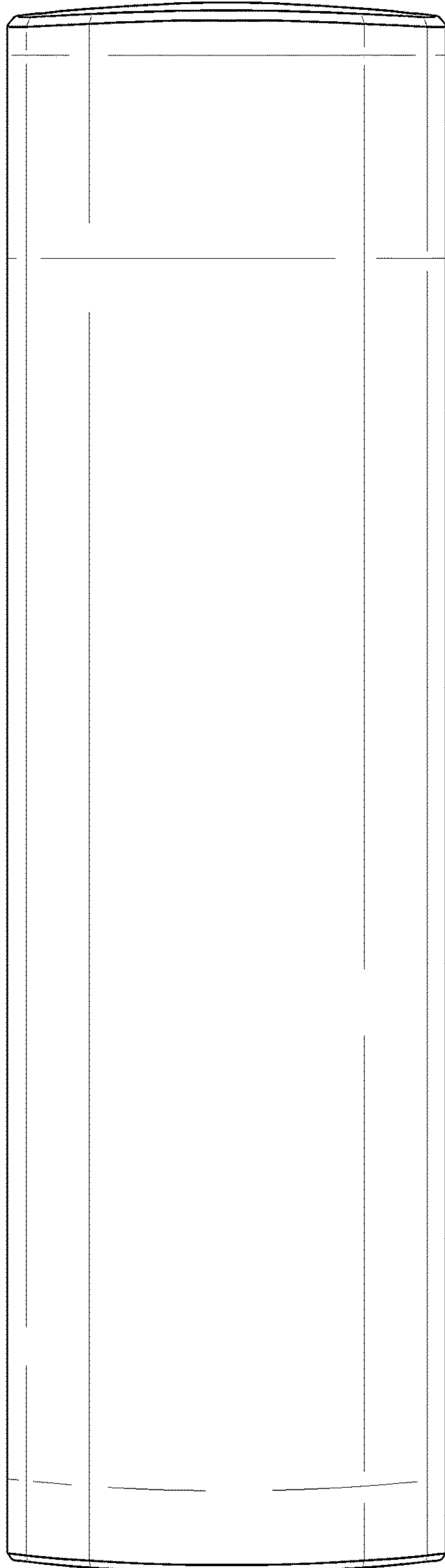


FIG. 3

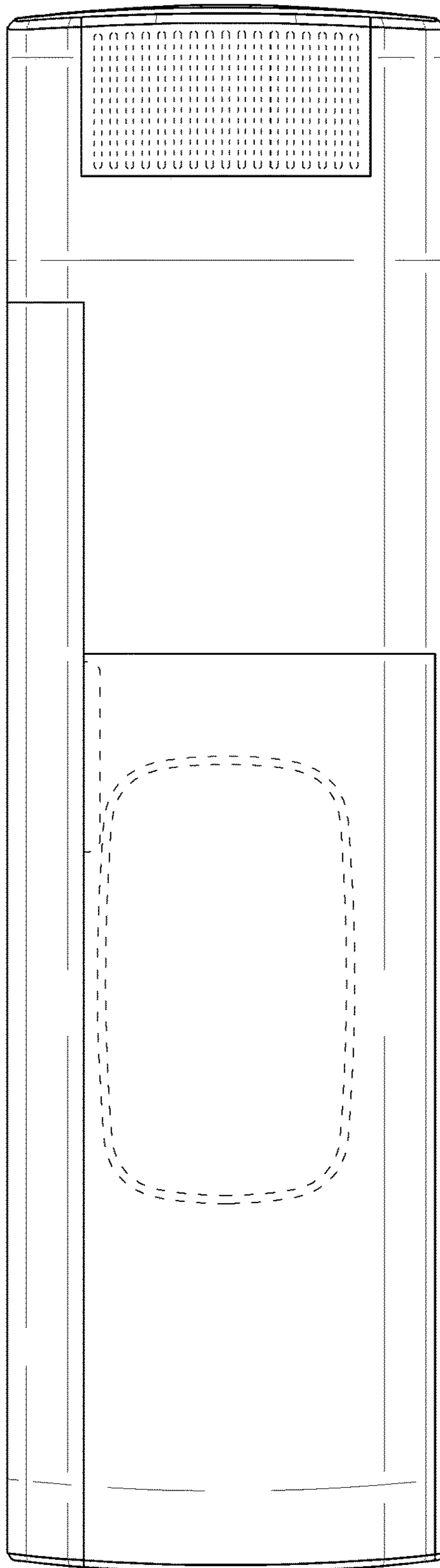


FIG. 4

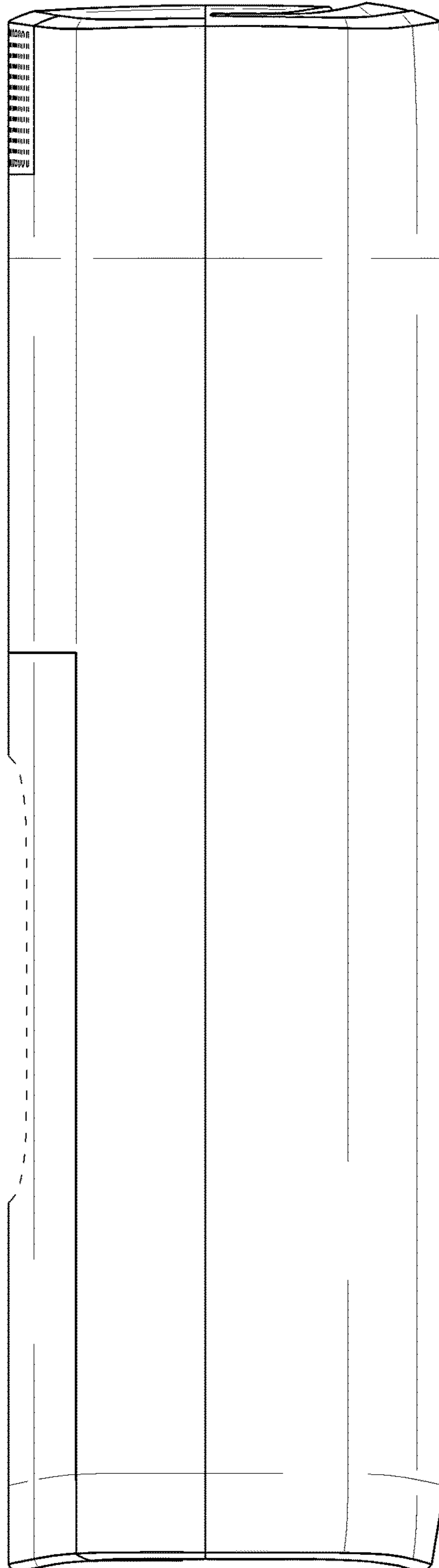


FIG. 5

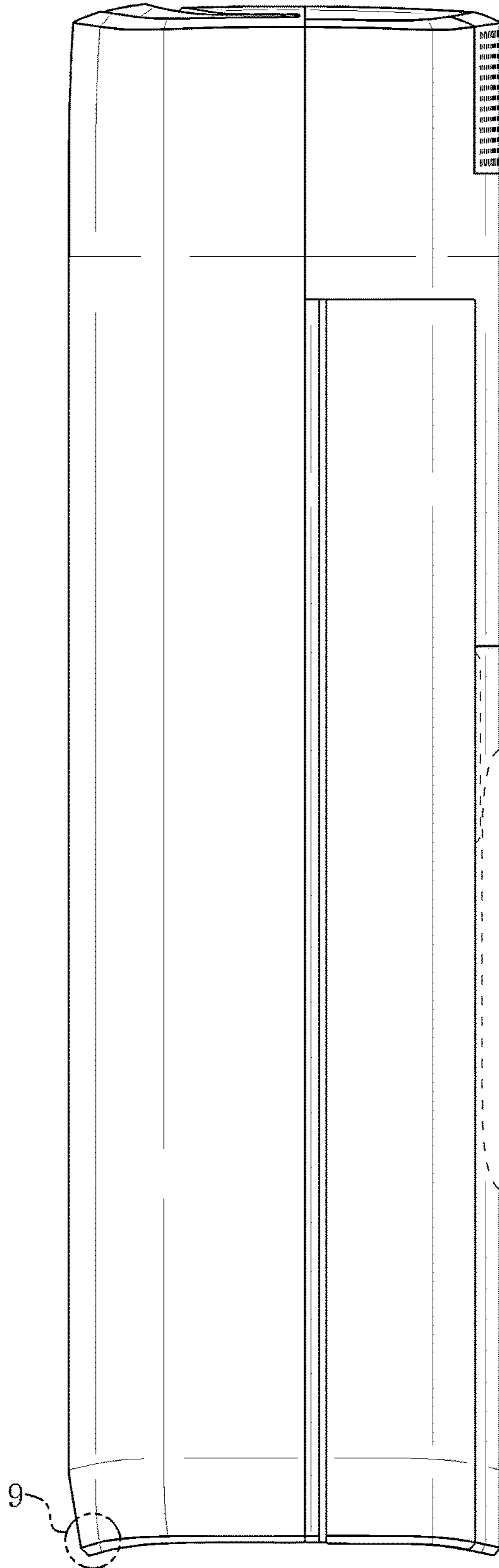


FIG. 6

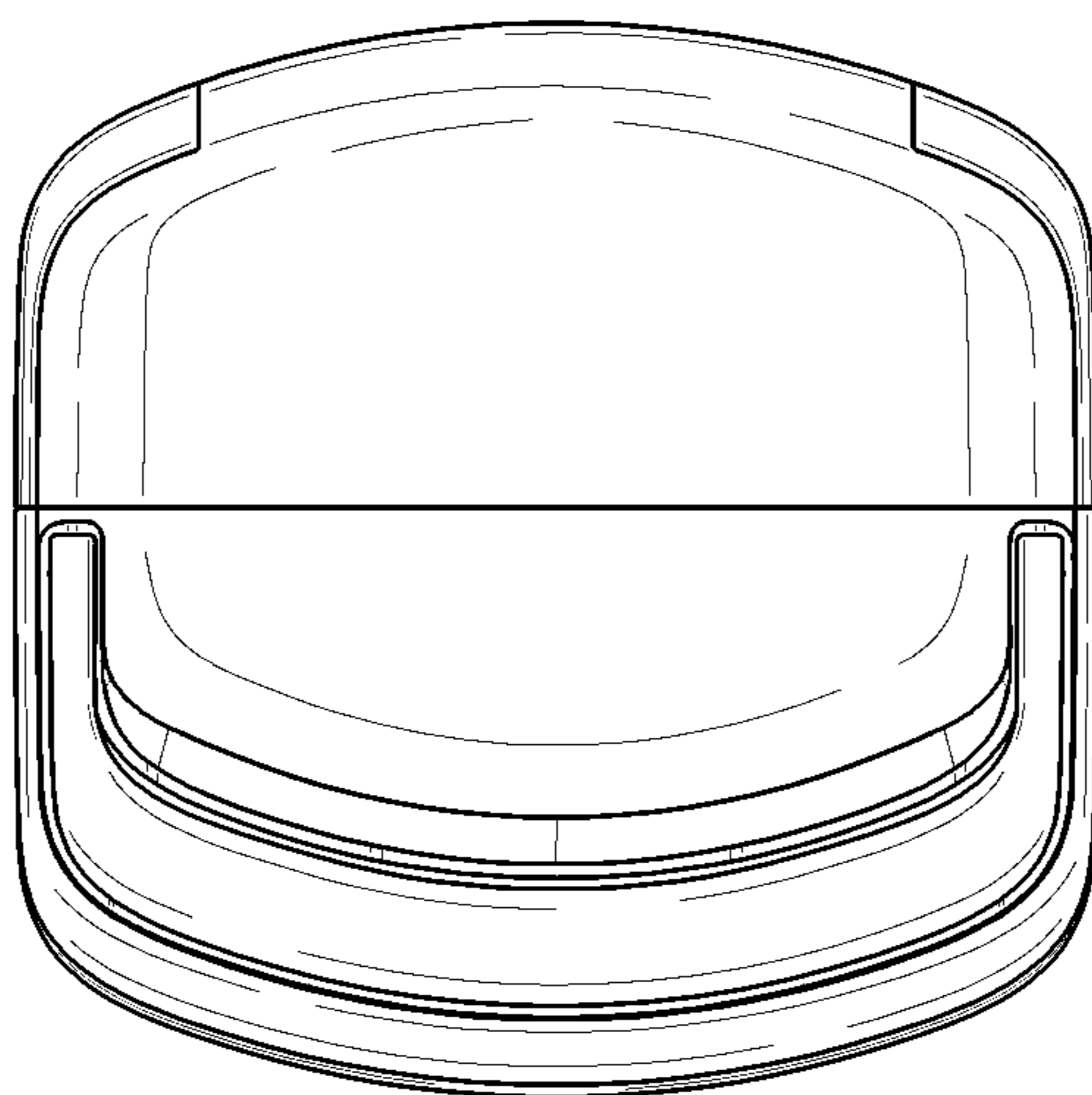


FIG. 7

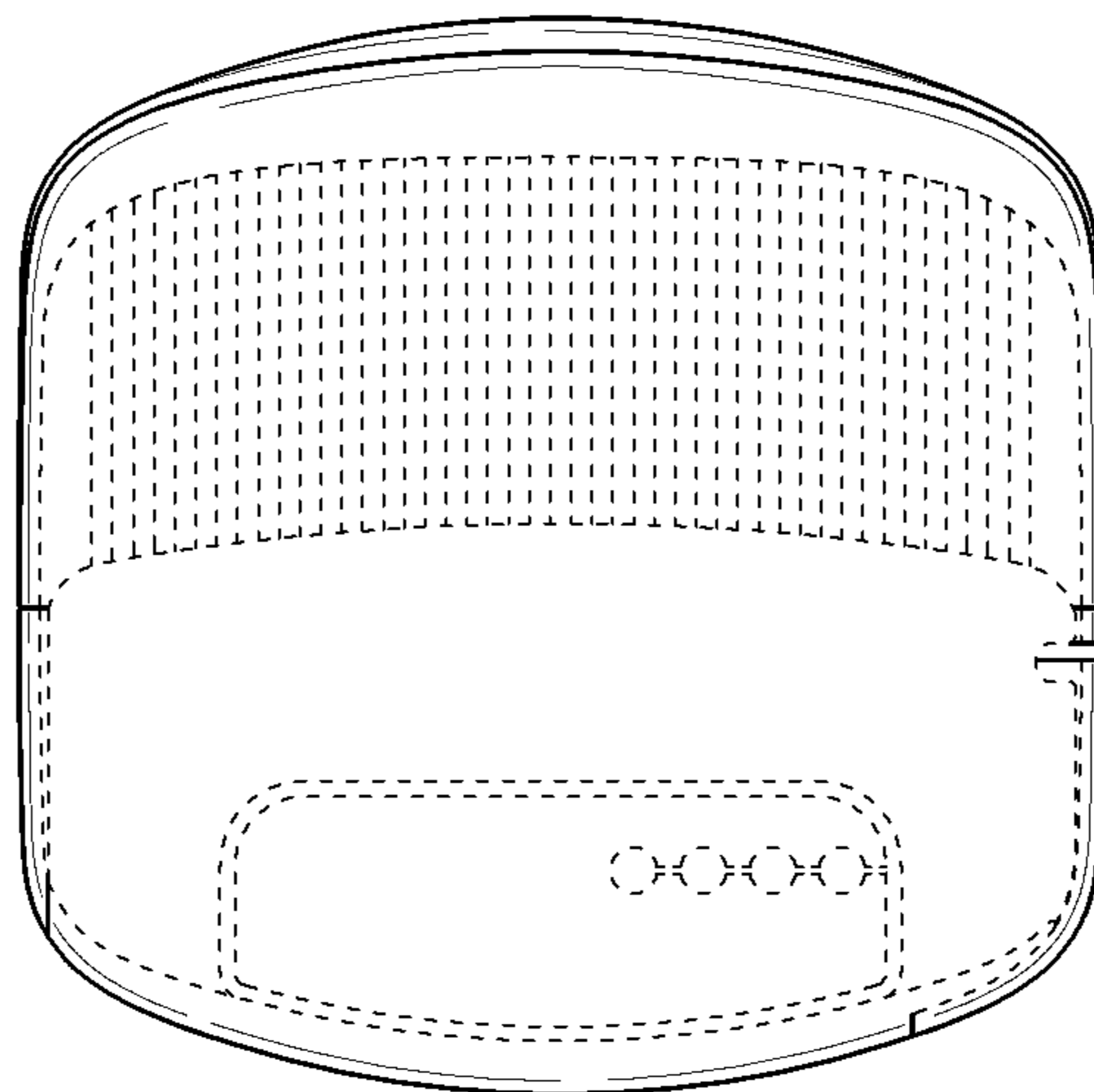


FIG. 8

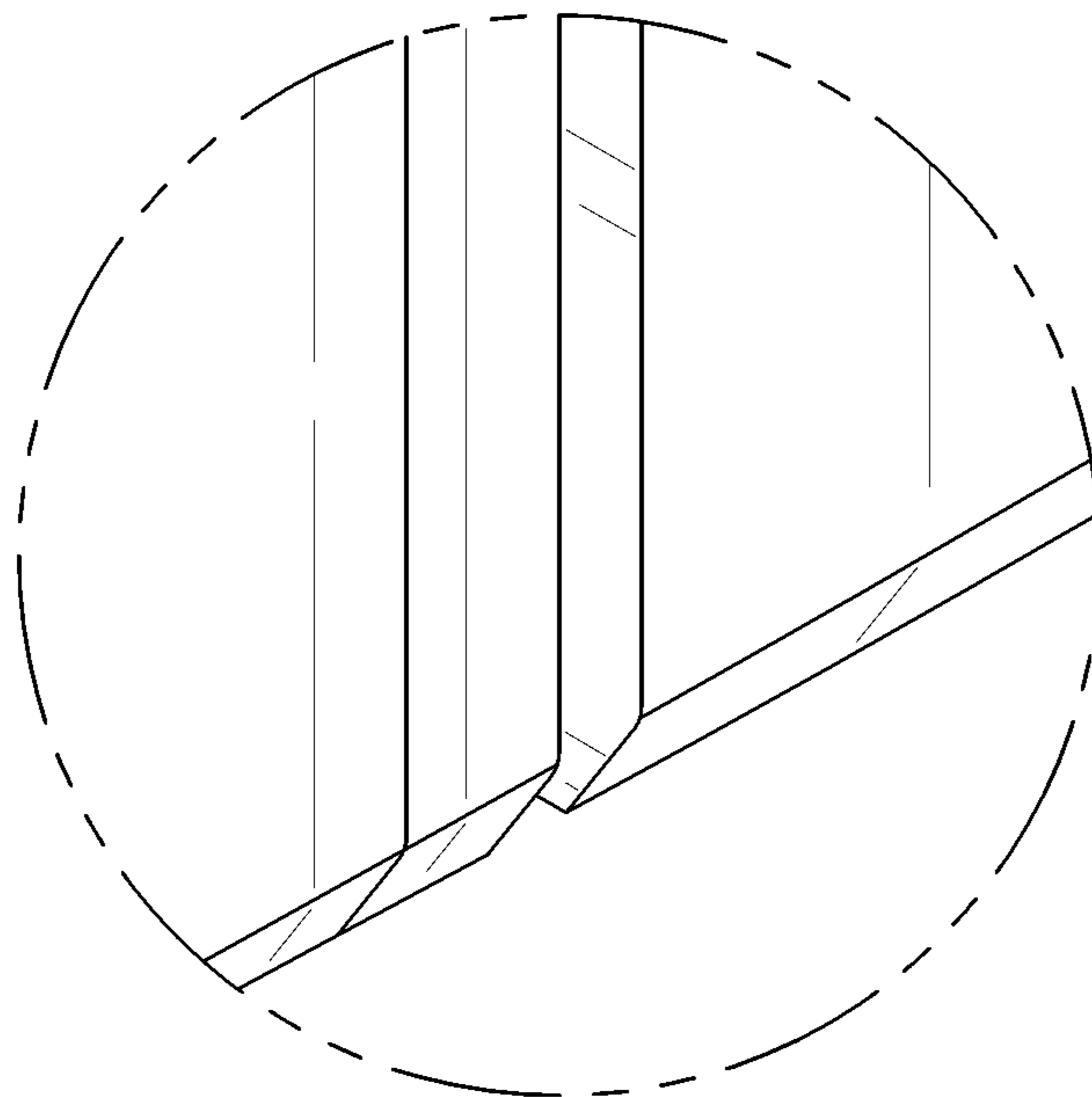


FIG. 9

