

US00D962911S

(12) **United States Design Patent** (10) **Patent No.:** **US D962,911 S**
O'Donnell et al. (45) **Date of Patent:** **** Sep. 6, 2022**

(54) **COMMUNICATION TOWER**

(71) Applicant: **Dell Products L.P.**, Round Rock, TX (US)

(72) Inventors: **Sean P. O'Donnell**, Poughkeepsie, NY (US); **Richard W. Guzman**, Austin, TX (US); **Peter Clark**, Zhongzheng District (TW); **Nick Poteracki**, Austin, TX (US)

(73) Assignee: **Dell Products L.P.**, Round Rock, TX (US)

(**) Term: **15 Years**

(21) Appl. No.: **29/770,070**

(22) Filed: **Feb. 9, 2021**

(51) **LOC (13) Cl.** **14-03**

(52) **U.S. Cl.**
USPC **D14/240**

(58) **Field of Classification Search**
USPC D14/240, 242, 357, 358, 140-140.9, 155, D14/125, 137, 139, 243, 348, 349, 351, D14/354, 355, 433, 435.1
CPC H04L 12/00; H03K 17/00; H04W 88/00; H04W 88/005; H04W 88/02; H04W 88/08; H04W 88/085; H04W 88/10; H04W 88/12; H04W 88/14; H04B 1/38
See application file for complete search history.

(56) **References Cited**

U.S. PATENT DOCUMENTS

D272,437 S *	1/1984	Knickerbocker	D14/140.2
D655,280 S *	3/2012	MacManus	D14/240
D663,293 S *	7/2012	MacManus	D14/240
D748,069 S *	1/2016	Bose	D14/125
D768,098 S *	10/2016	Bose	D14/125
D783,579 S *	4/2017	MacManus	D14/240
D783,580 S *	4/2017	MacManus	D14/240
D822,029 S	7/2018	Crisp		

D888,050 S	6/2020	Tosh		
D894,147 S *	8/2020	Wang	D14/149
D928,756 S *	8/2021	Jang	D14/240
2015/0371571 A1 *	12/2015	Häger	G09F 9/33 348/552
2018/0227775 A1 *	8/2018	Bisiules	H01Q 25/005

OTHER PUBLICATIONS

Vertiv, "Build a Stronger Network Edge/Vertiv Outdoor Enclosures," downloaded from <https://www.vertiv.com/en-us/products-catalog/facilities-enclosures-and-racks/outdoor-enclosures/#/> on Dec. 8, 2021, 3 pages.

Supernova, "5G, Edge and IoT/Embedded Building Block Solutions," downloaded from [brochure_Embedded.pdf](#) (supernova.com) on Dec. 8, 2021, 104 pages.

* cited by examiner

Primary Examiner — Bridget L Eland

(74) *Attorney, Agent, or Firm* — Zagorin Cave LLP; Robert W. Holland

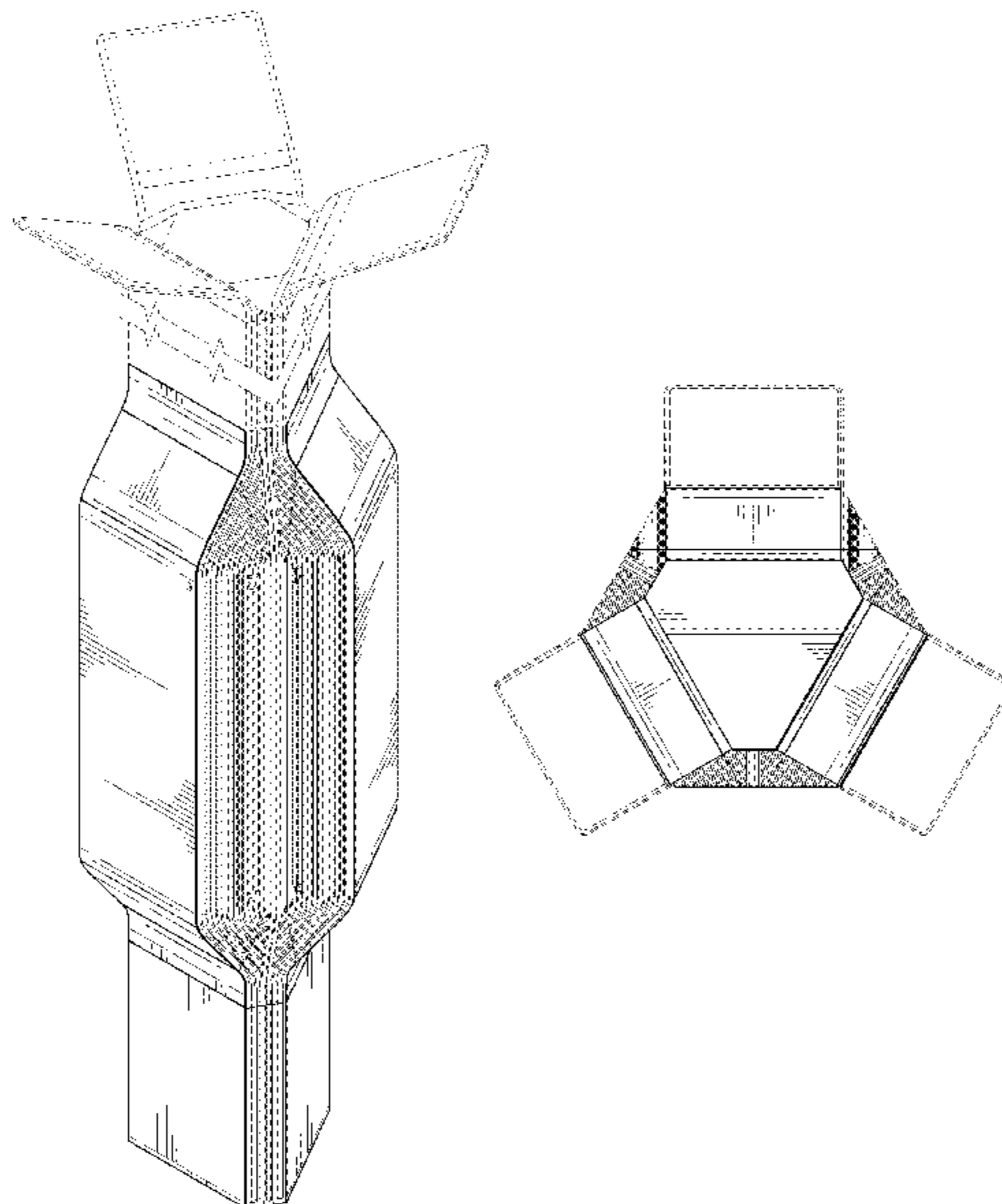
(57) **CLAIM**

We claim the ornamental design for a communication tower, as shown and described.

DESCRIPTION

FIG. 1 is a front perspective view of the communication tower comprising the present invention; FIG. 2 is a front elevation view thereof; FIG. 3 is a rear elevation view thereof; FIG. 4 is a right side view thereof; FIG. 5 is a left side view thereof; FIG. 6 is a top view thereof; and, FIG. 7 is a bottom view thereof. Broken lines shown in the drawings illustrate portions of the communication tower, and form no part of the claimed design.

1 Claim, 6 Drawing Sheets



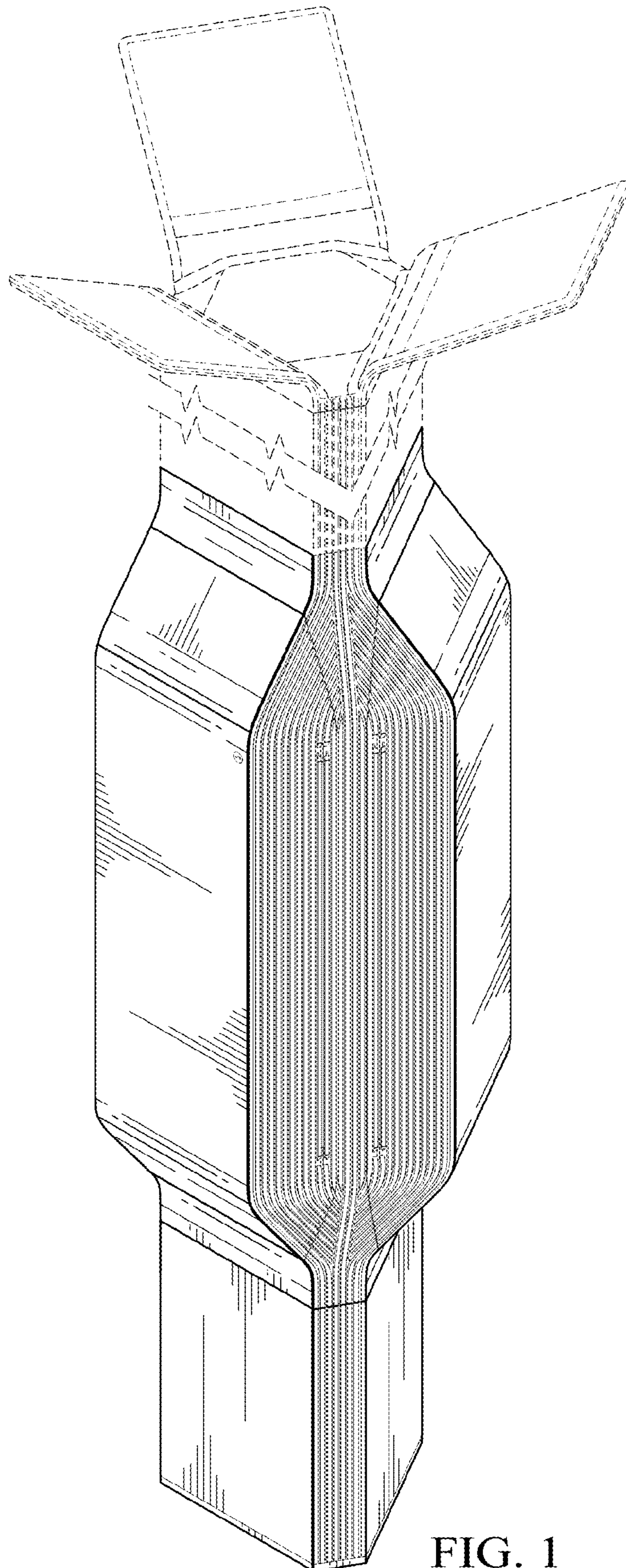


FIG. 1

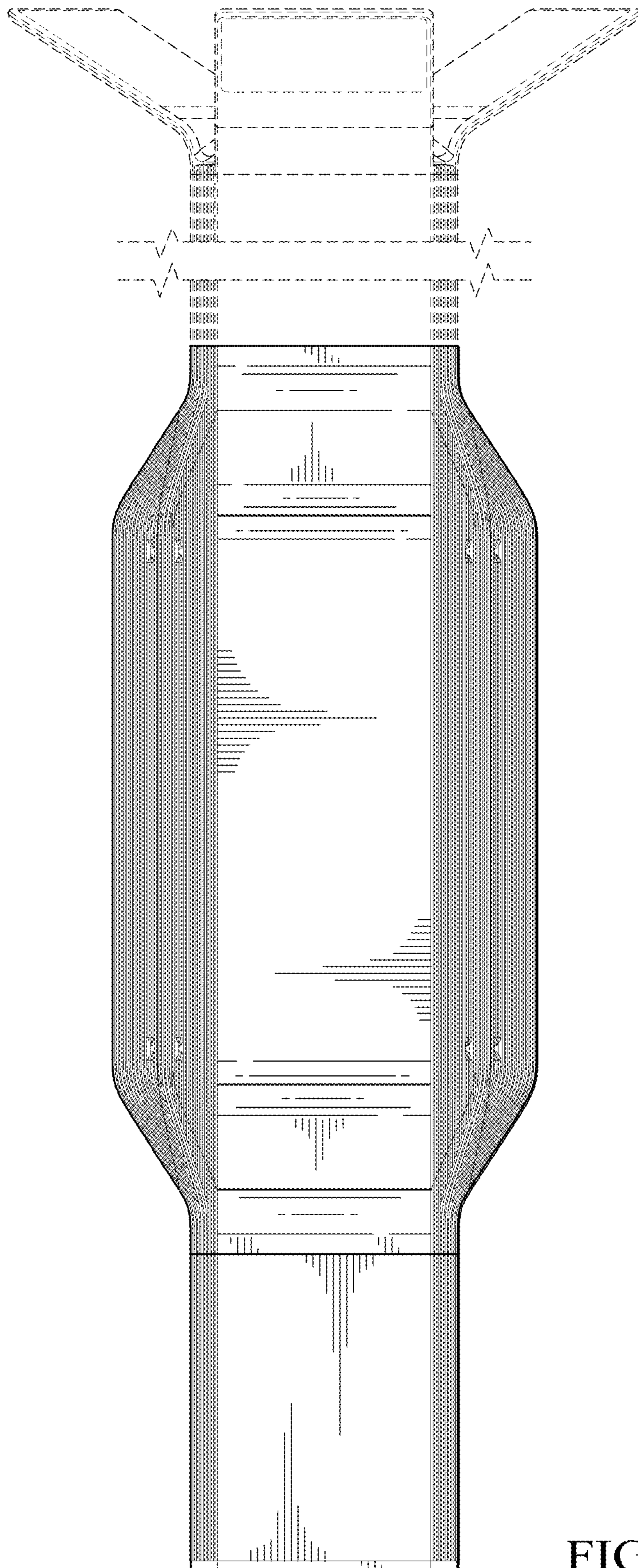


FIG. 2

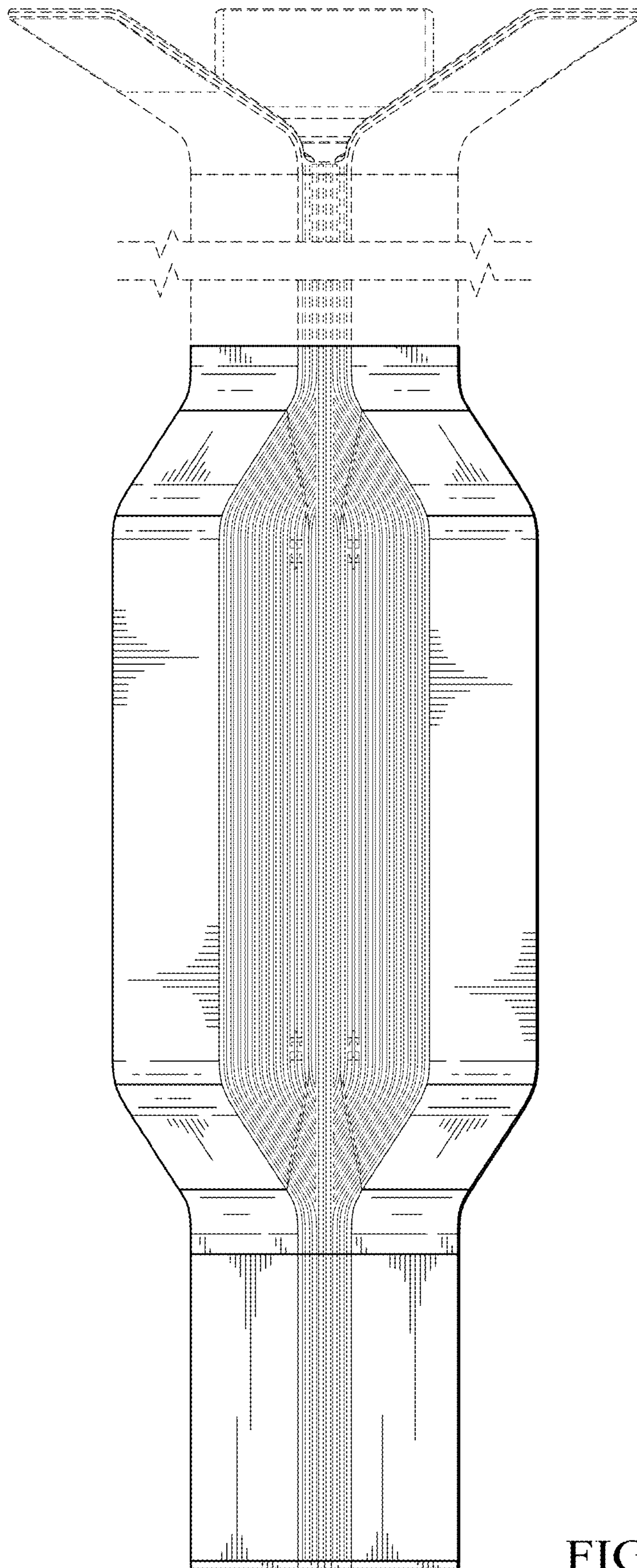


FIG. 3

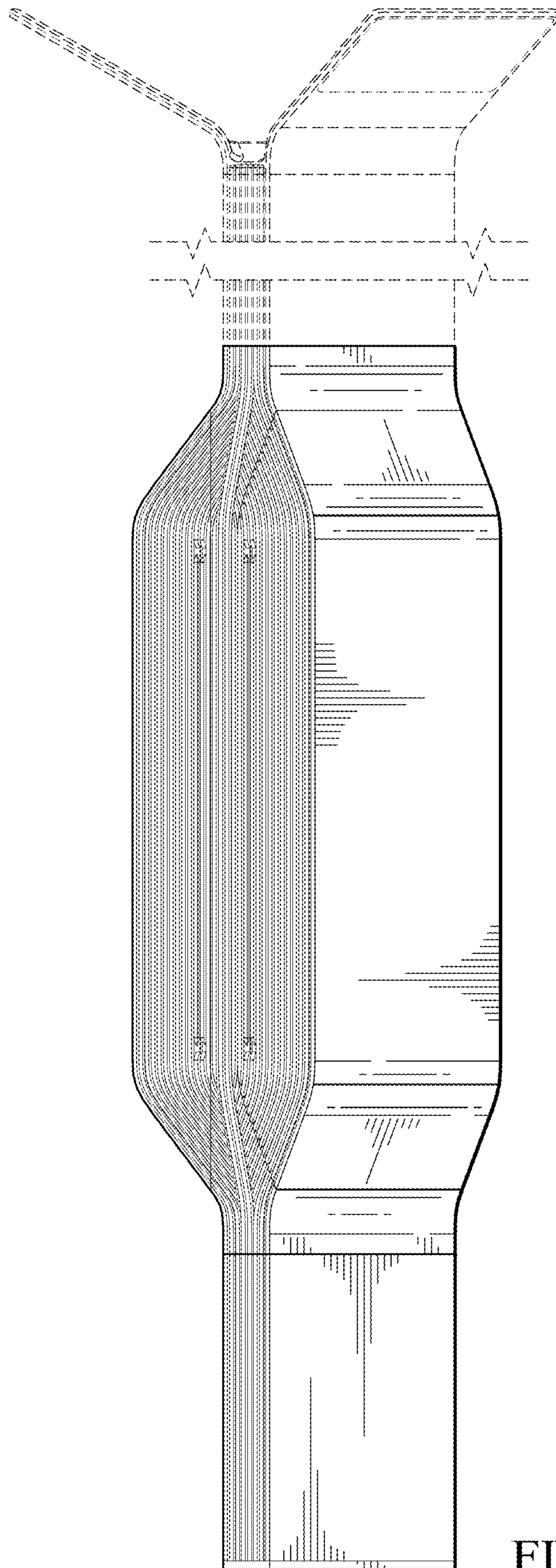


FIG. 4

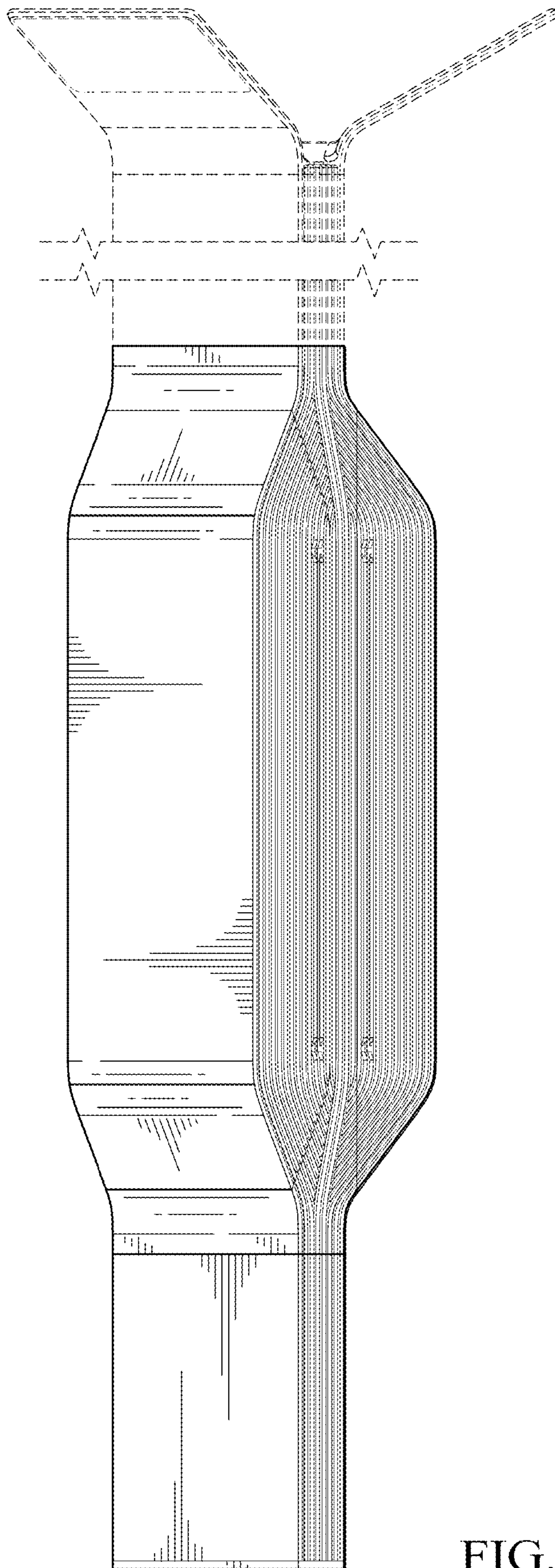


FIG. 5

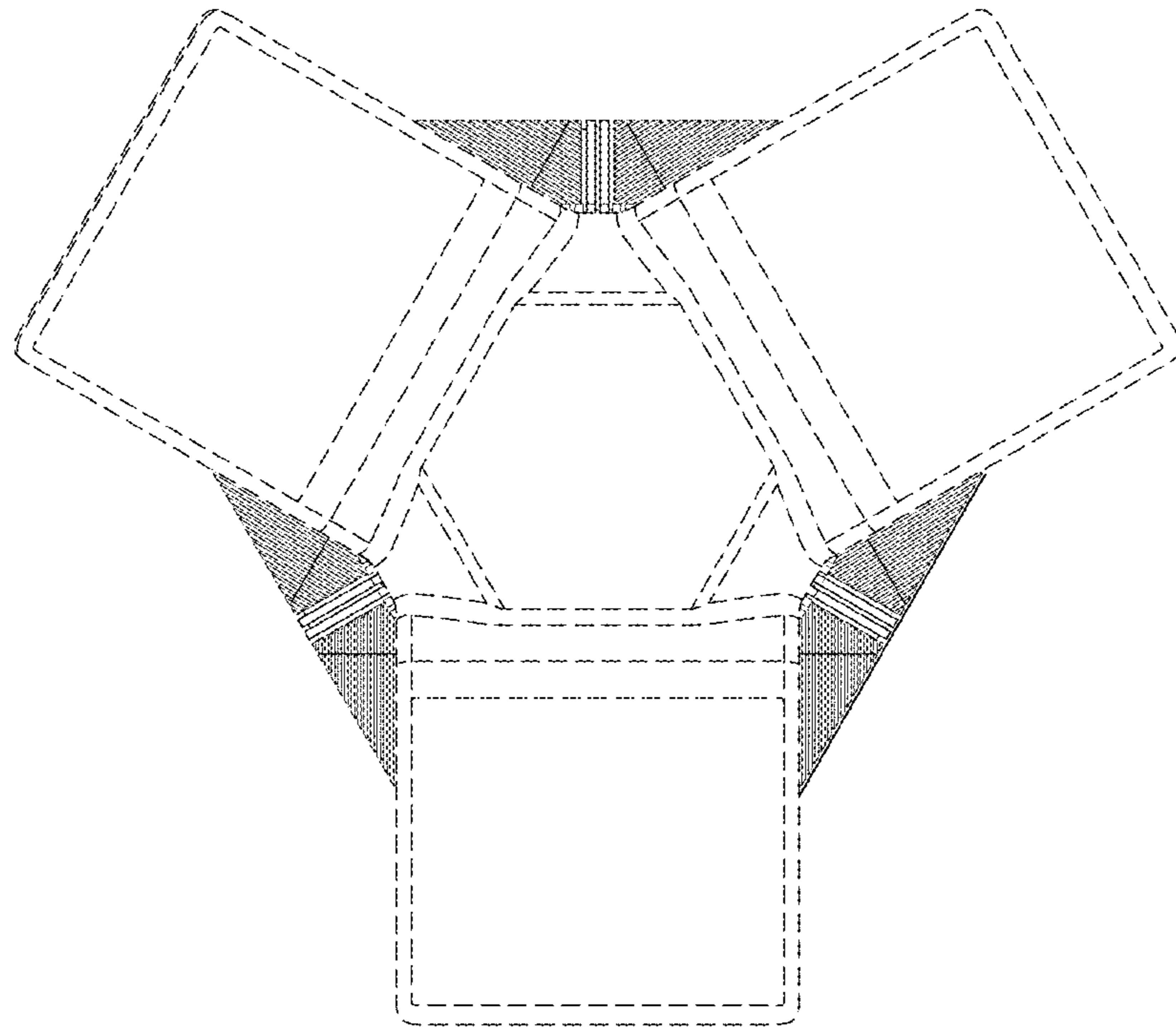


FIG. 6

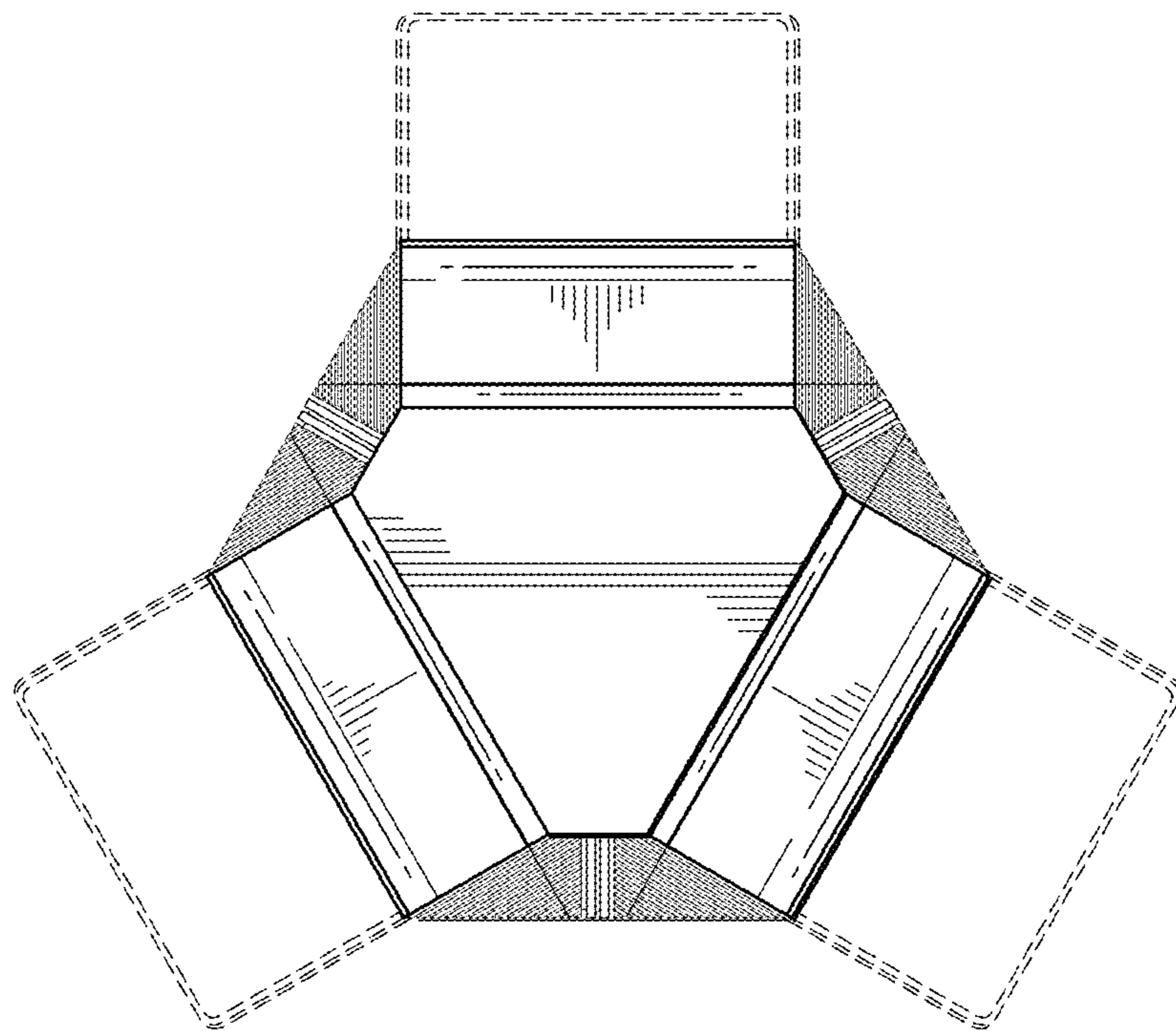


FIG. 7