



US00D962907S

(12) **United States Design Patent** (10) **Patent No.:** **US D962,907 S**
Shaffner et al. (45) **Date of Patent:** **** Sep. 6, 2022**

(54) **ANTENNA APPARATUS**

(71) Applicant: **Space Exploration Technologies Corp.**, Hawthorne, CA (US)

(72) Inventors: **Jackson Shaffner**, Hawthorne, CA (US); **Anthony Sims**, Hawthorne, CA (US); **Ryan Kennett**, Hawthorne, CA (US)

(73) Assignee: **Space Exploration Technologies Corp.**, Hawthorne, CA (US)

(**) Term: **15 Years**

(21) Appl. No.: **29/720,094**

(22) Filed: **Jan. 9, 2020**

(51) **LOC (13) Cl.** **14-03**

(52) **U.S. Cl.**
USPC **D14/230**

(58) **Field of Classification Search**
USPC D14/230, 231, 155, 216
CPC H01Q 13/18; H01Q 19/132; H01Q 1/20;
H01Q 19/134; H01Q 19/19; H01Q 19/20;

(Continued)

(56) **References Cited**

U.S. PATENT DOCUMENTS

2,831,948 A * 4/1958 Fraser H02B 1/048
174/505
D248,763 S * 8/1978 Muller D32/32
D322,254 S * 12/1991 Su D14/230

(Continued)

FOREIGN PATENT DOCUMENTS

CN 305981453 * 8/2020
CN 306934044 * 11/2021

(Continued)

OTHER PUBLICATIONS

Winegard TB-005 Mounting Pole., available in officedepot.com, oldest review date Nov. 2021 [online], [site visited Feb. 8, 2022],

Internet URL: https://www.officedepot.com/a/products/3030551/Winegard-TB-0005-Mounting-Pole-for/?utm_source=google&utm_medium=sag (Year: 2021).*

(Continued)

Primary Examiner — Daniel J Domino

Assistant Examiner — Samina Vieth

(74) *Attorney, Agent, or Firm* — Polsinelli PC

(57) **CLAIM**

The ornamental design for an antenna apparatus, as shown and described.

DESCRIPTION

FIG. 1 is a bottom perspective view of an antenna apparatus shown in a first configuration;

FIG. 2 is a left side view of the antenna apparatus shown in FIG. 1;

FIG. 3 is a top perspective view of the antenna apparatus of FIG. 1 shown in a second configuration;

FIG. 4 is a bottom perspective view of the antenna apparatus shown in FIG. 3;

FIG. 5 is a left side view of the antenna apparatus shown in FIG. 3;

FIG. 6 is a right side view of the antenna apparatus shown in FIG. 3;

FIG. 7 is a top view of the antenna apparatus shown in FIG. 3;

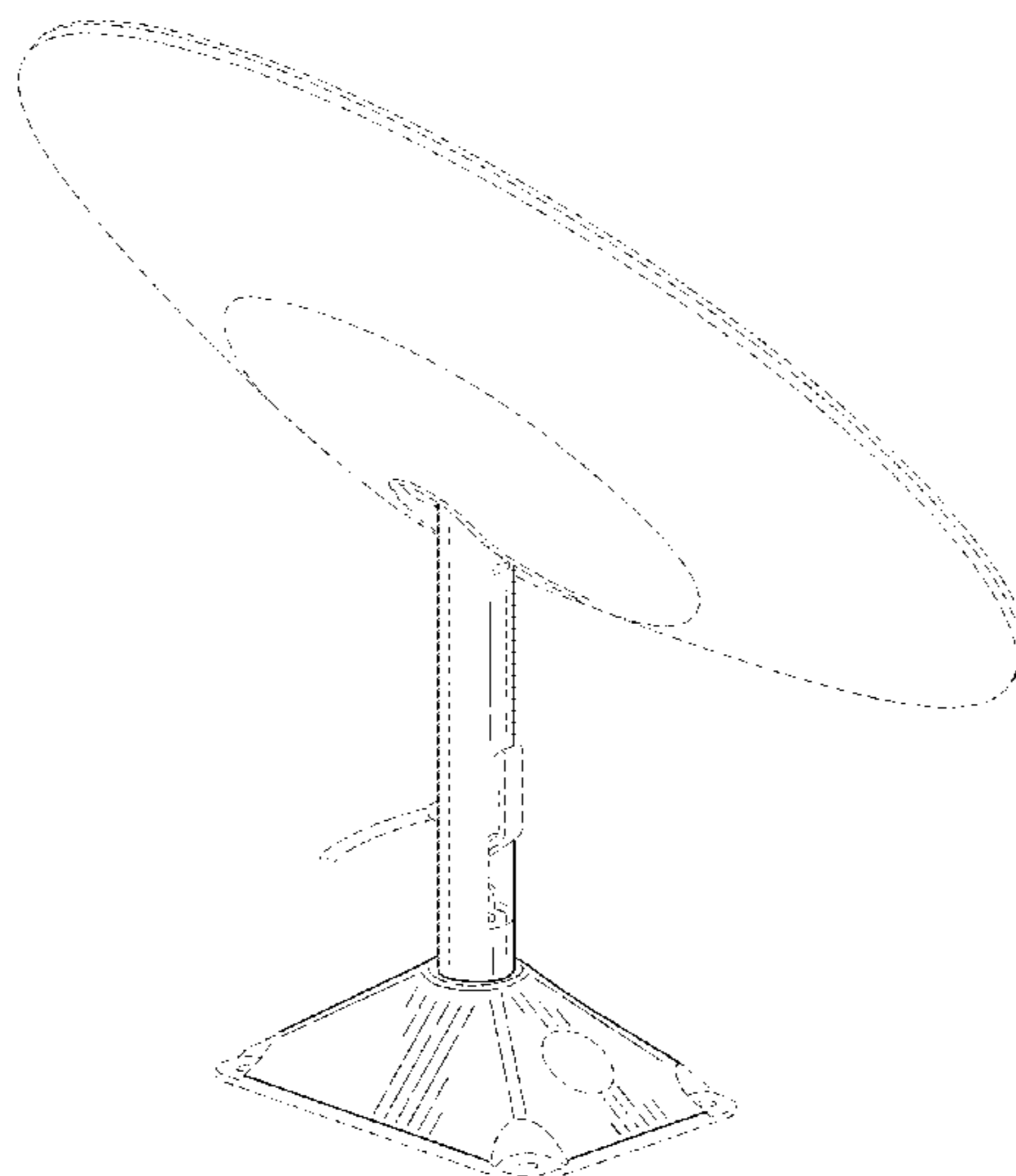
FIG. 8 is a bottom view of the antenna apparatus shown in FIG. 3;

FIG. 9 is a front view of the antenna apparatus shown in FIG. 3; and,

FIG. 10 is a rear view of the antenna apparatus shown in FIG. 3.

The broken lines shown in the figures represent portions of the antenna apparatus that form no part of the claimed design.

1 Claim, 10 Drawing Sheets



(58) **Field of Classification Search**

CPC ... H01Q 9/28; H01Q 1/44; H01Q 5/45; G01S
3/56

See application file for complete search history.

FOREIGN PATENT DOCUMENTS

CN	306984978	* 12/2021
JP	D1676653	* 1/2021

OTHER PUBLICATIONS

(56) **References Cited**

U.S. PATENT DOCUMENTS

D409,622	S *	5/1999	Inoue	D14/231
D448,717	S *	10/2001	Hanson	D12/162
D519,992	S *	5/2006	McAnally	D14/238
D535,648	S *	1/2007	Miura	D14/233
D581,705	S *	12/2008	Li	D6/692.3
D585,883	S *	2/2009	Kaneko	D14/230
D698,765	S *	2/2014	Bremaud	D14/231
D807,481	S *	1/2018	Iu	D23/314
D816,641	S *	5/2018	Courtney	D14/230
D872,713	S *	1/2020	Courtney	D14/230
D907,609	S *	1/2021	Courtney	D14/230
D942,431	S *	2/2022	Zhao	D14/230
2008/0278399	A1 *	11/2008	Nakajima	H01Q 1/42 343/878
2020/0381816	A1 *	12/2020	Milroy	H01Q 9/0414
2020/0381842	A1 *	12/2020	Milroy	H01Q 15/144

Wilson Outdoor Antenna Mounts, available in wilsonamplifiers.com, oldest review date Feb. 1, 2020 [online], [site visited Feb. 8, 2022], Internet URL: https://www.wilsonamplifiers.com/wilson-outdoor-antenna-mounts/?sku=WA901117&gclid=EAlalQobChMljPzPpqHz9QIVgb2GCh0eNwiWEAQYByABEgKSQPD_BwE (Year: 2020).*

ANTOP Adjustable Outdoor/Attic TV Antenna Mount . . . , available at amazon.com, first available date Oct. 26, 2017 [online], [site visited Feb. 8, 2022], Internet URL: https://www.amazon.com/dp/B076VBNWJH/ref=cm_sw_em_r_mt_dp_CMEJ5JFM3DWPE8WCHVEE?_encoding=UTF8&psc=1 (Year: 2017).*

Antennas Direct 40in TV Antenna Mount . . . , available at amazon.com, first available date Sep. 14, 2004 [online], [site visited Feb. 8, 2022], Internet URL: https://www.amazon.com/dp/B002GBWLMQ/ref=cm_sw_em_r_mt_dp_W1AJOJ2MBZBCFYB9D3BG (Year: 2000).*

* cited by examiner

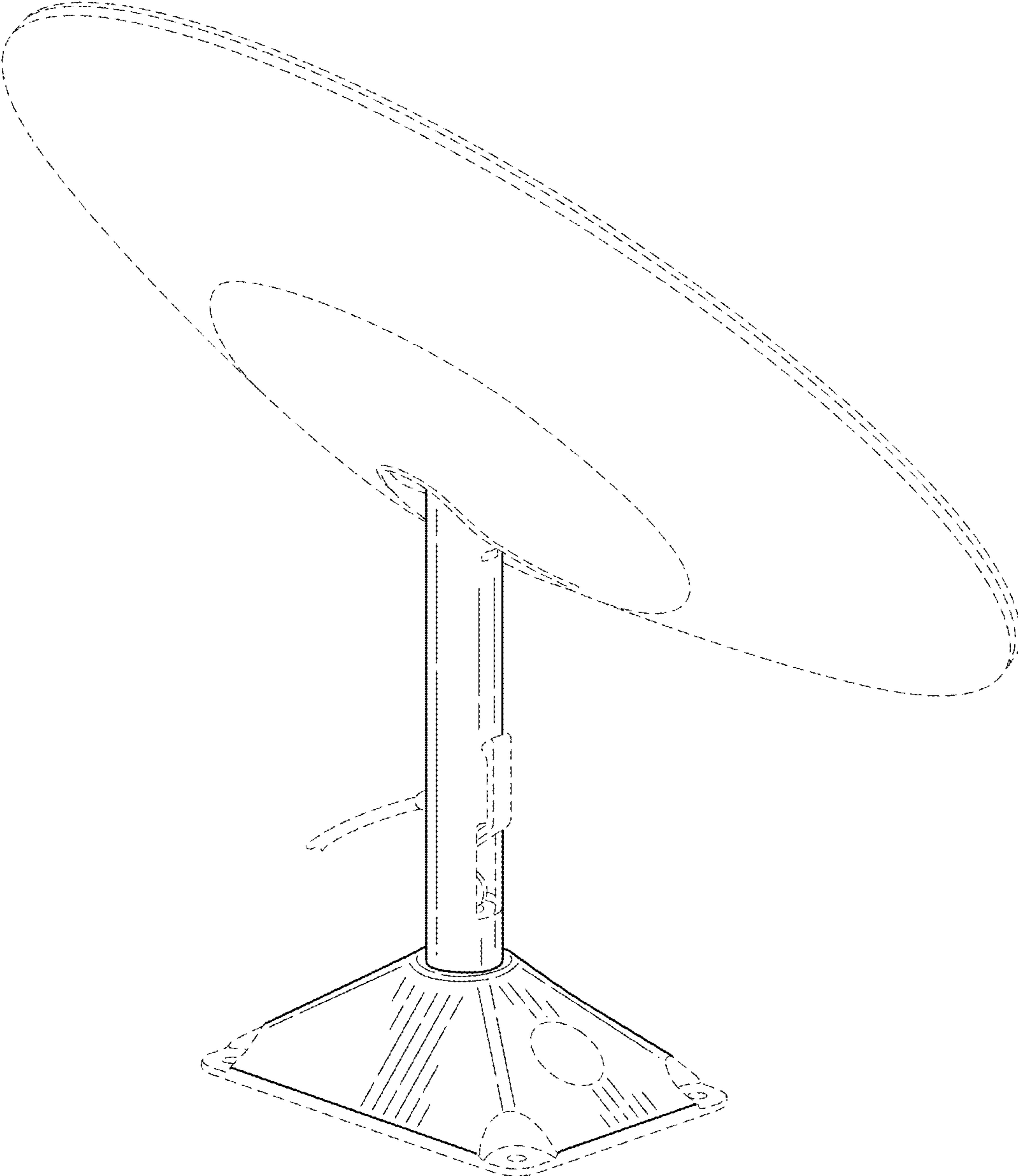


FIG.1

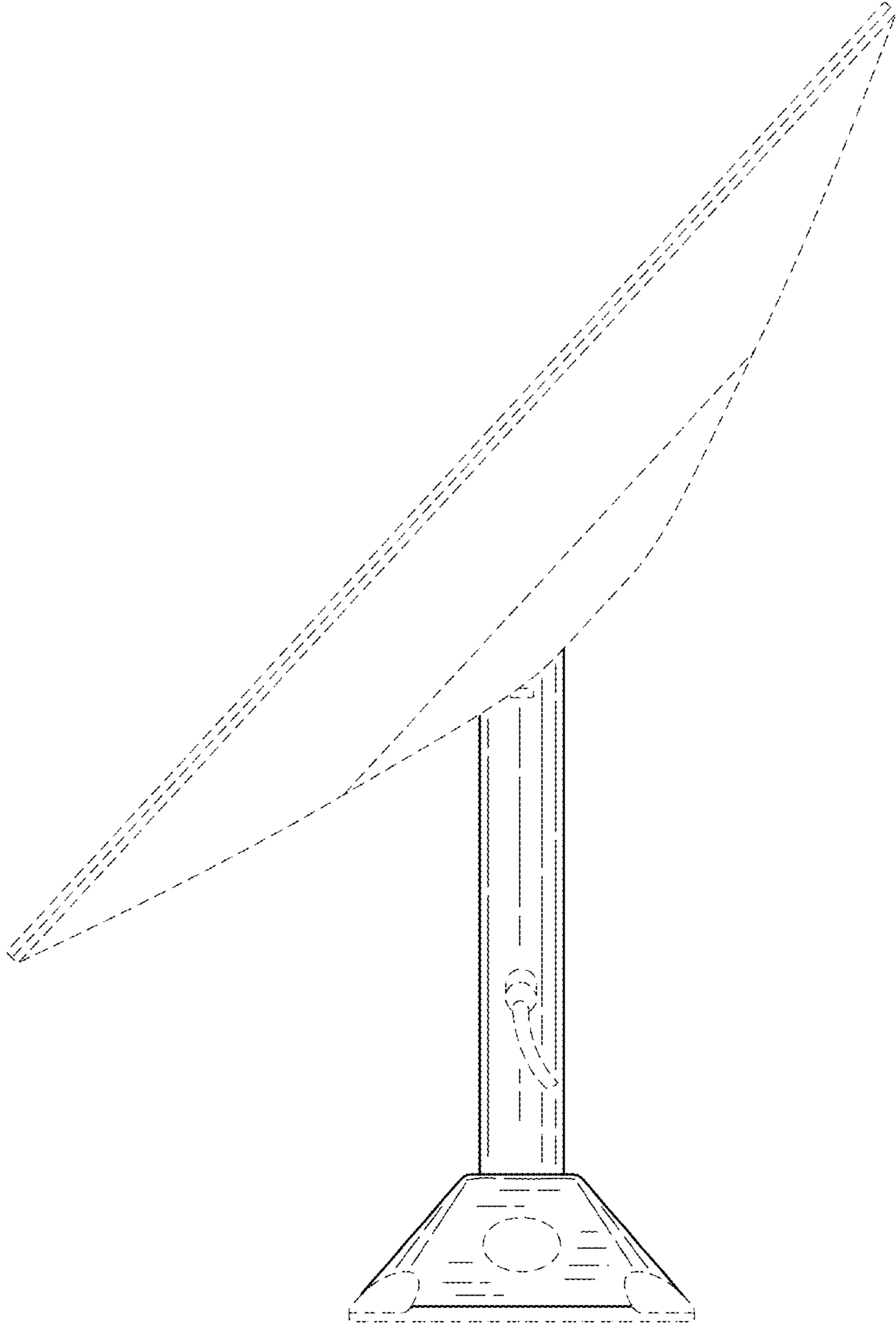


FIG.2

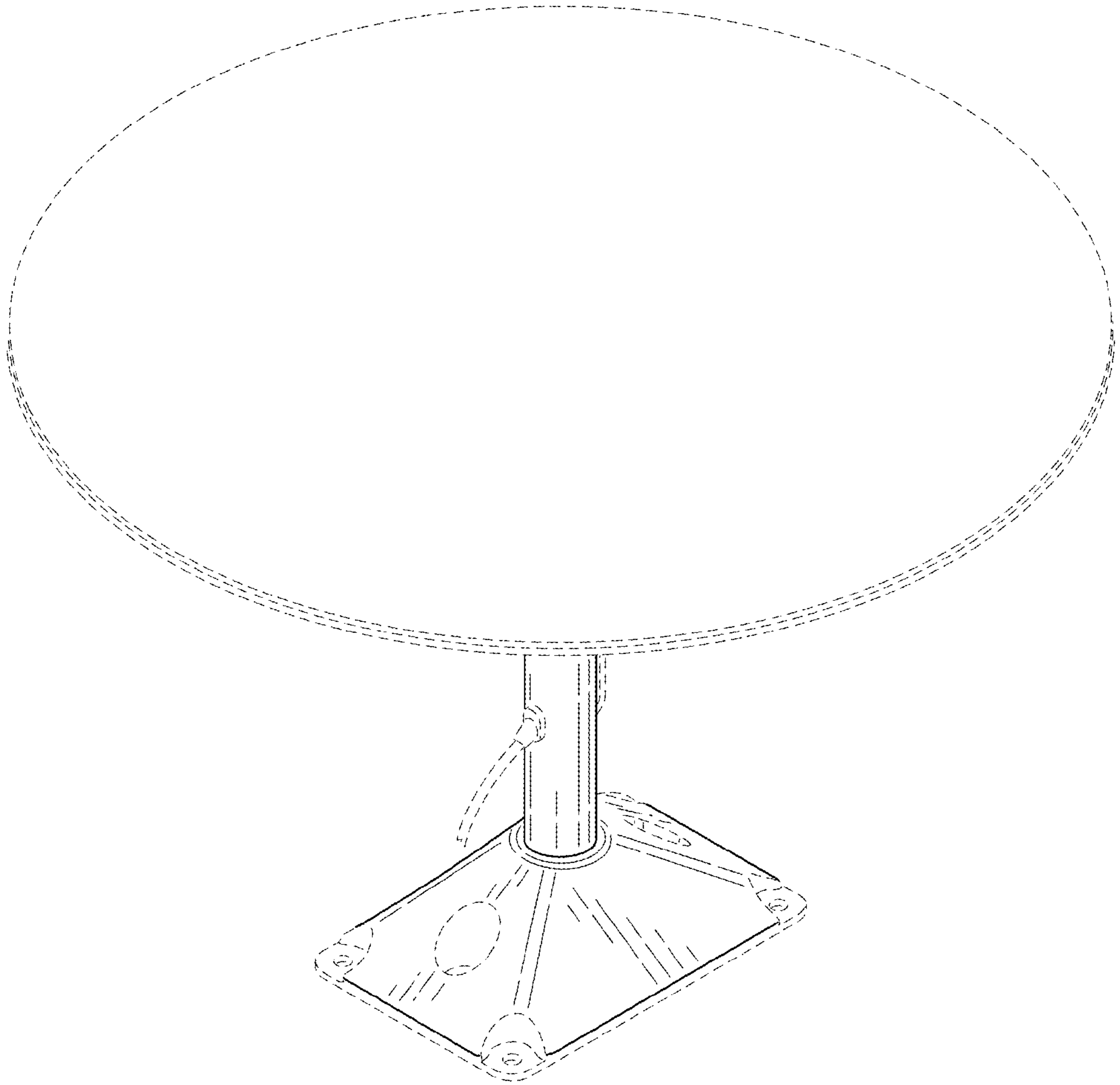


FIG.3

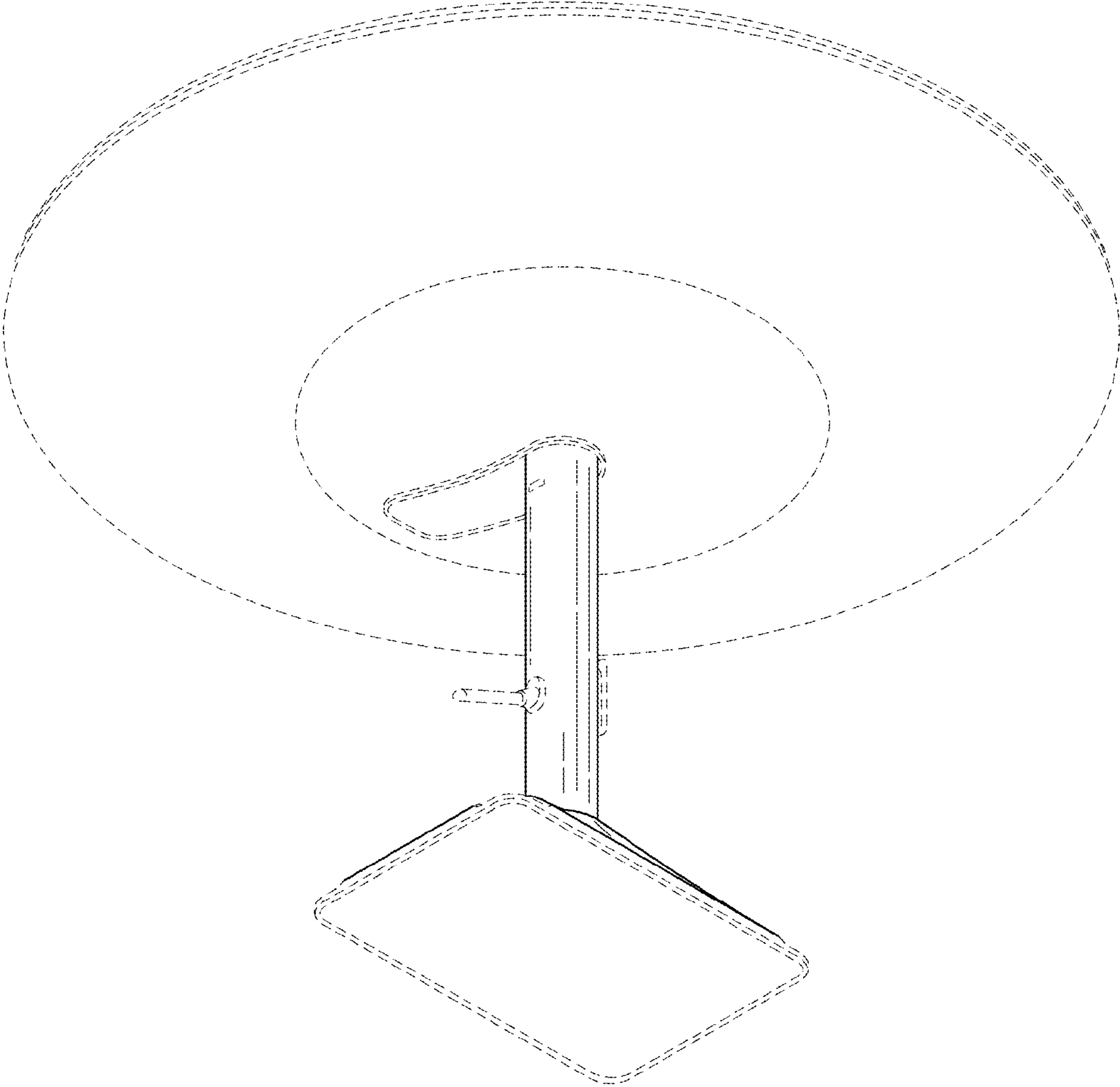


FIG.4

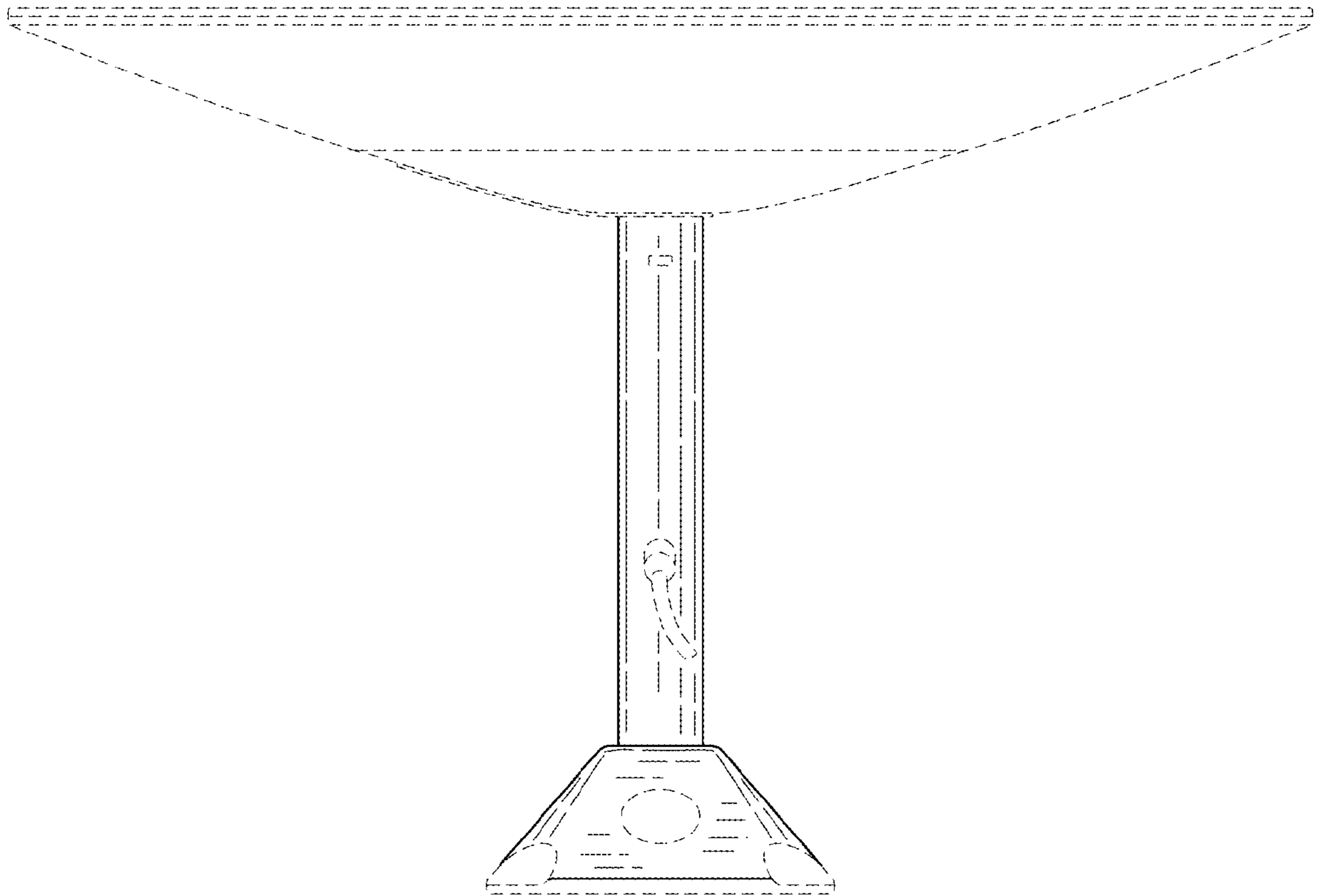


FIG.5

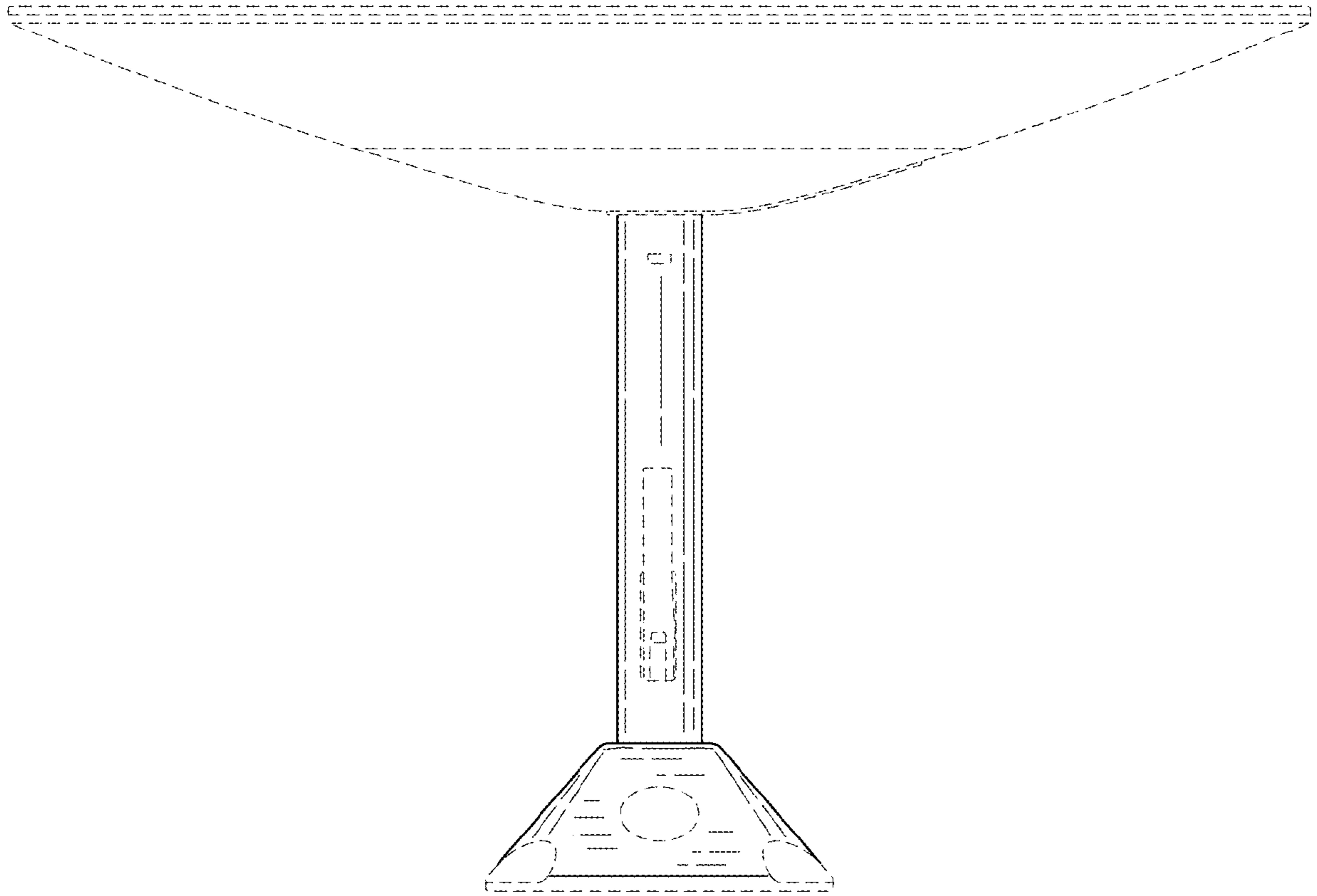


FIG.6

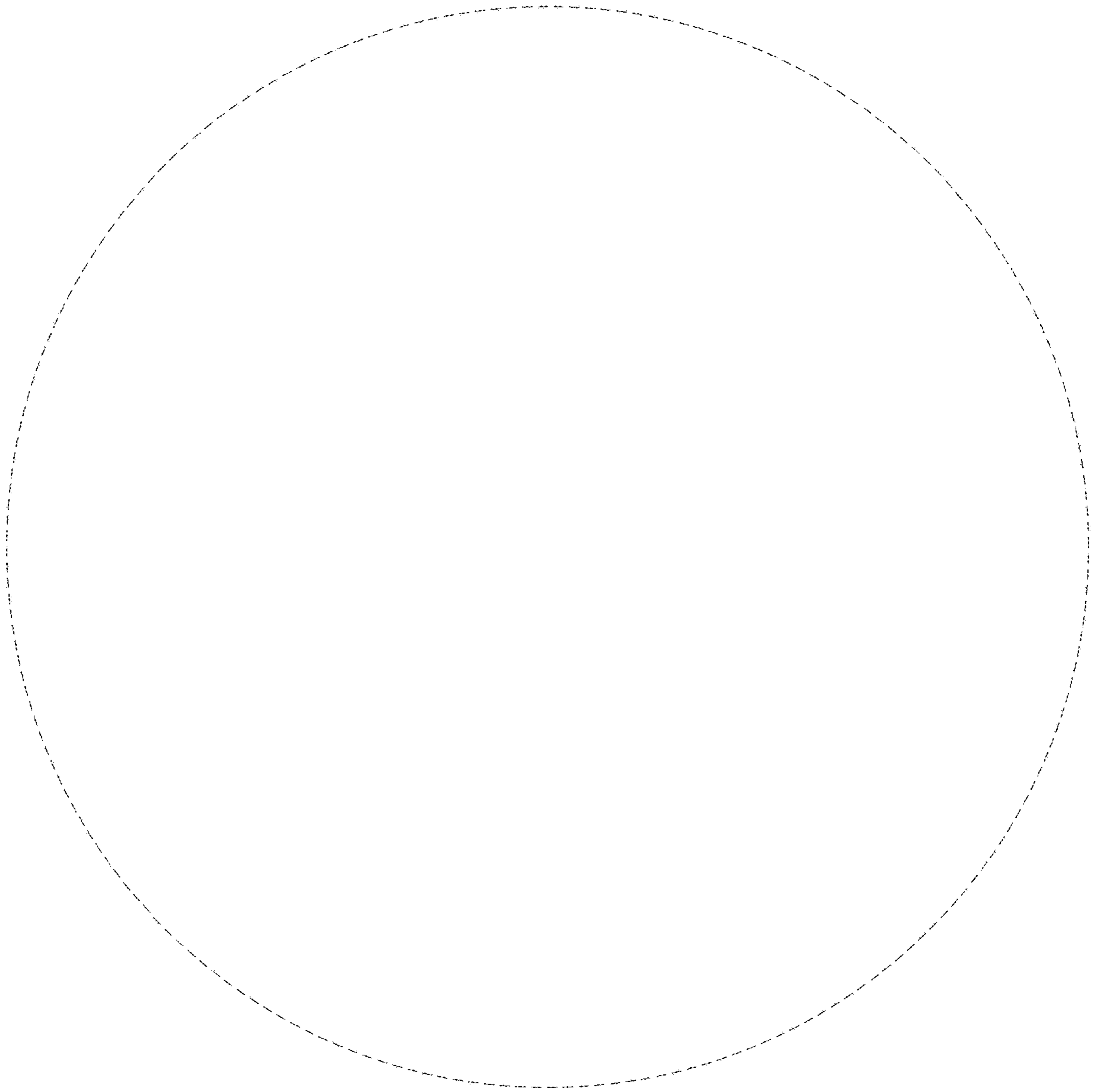


FIG.7

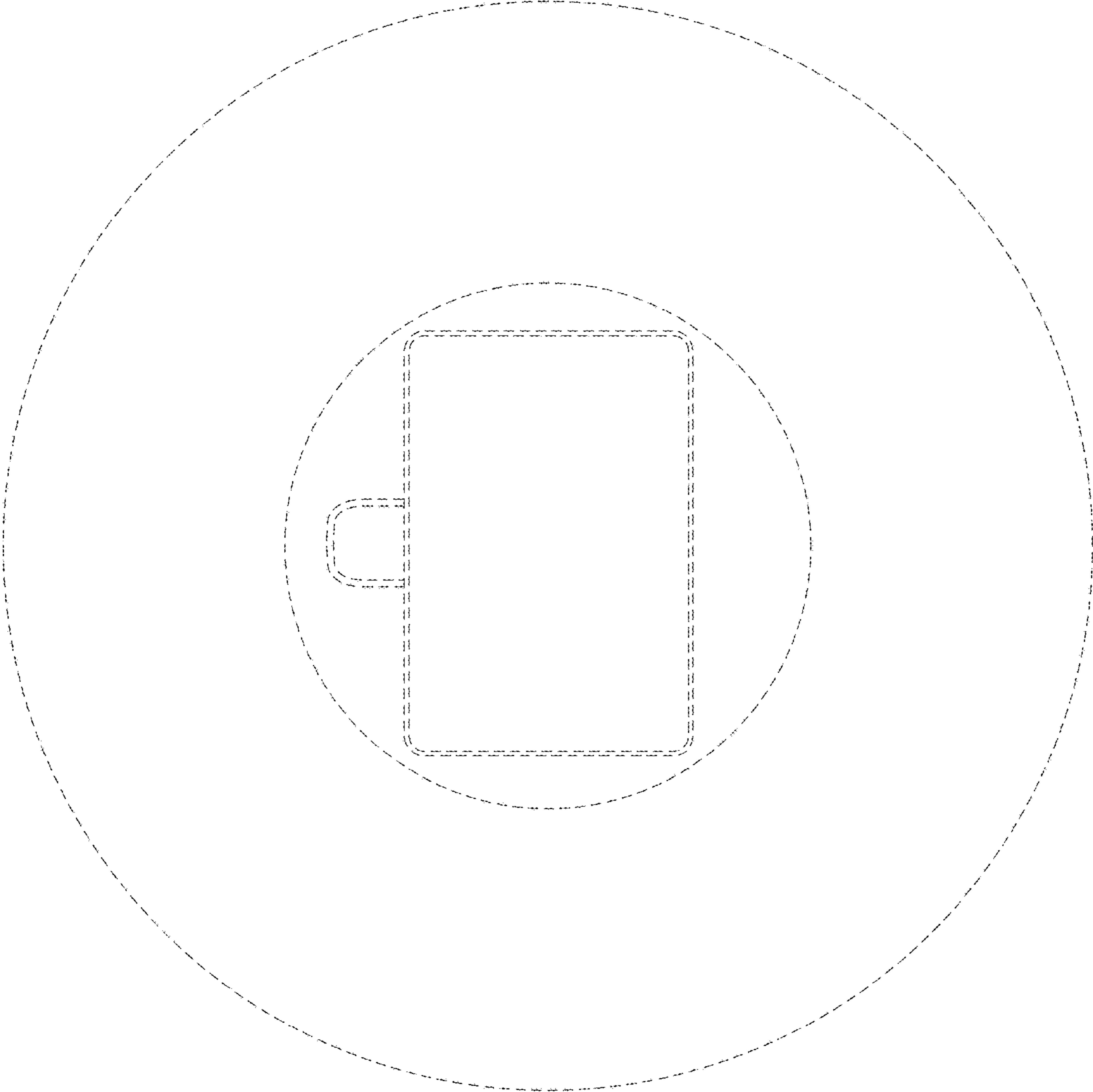


FIG.8

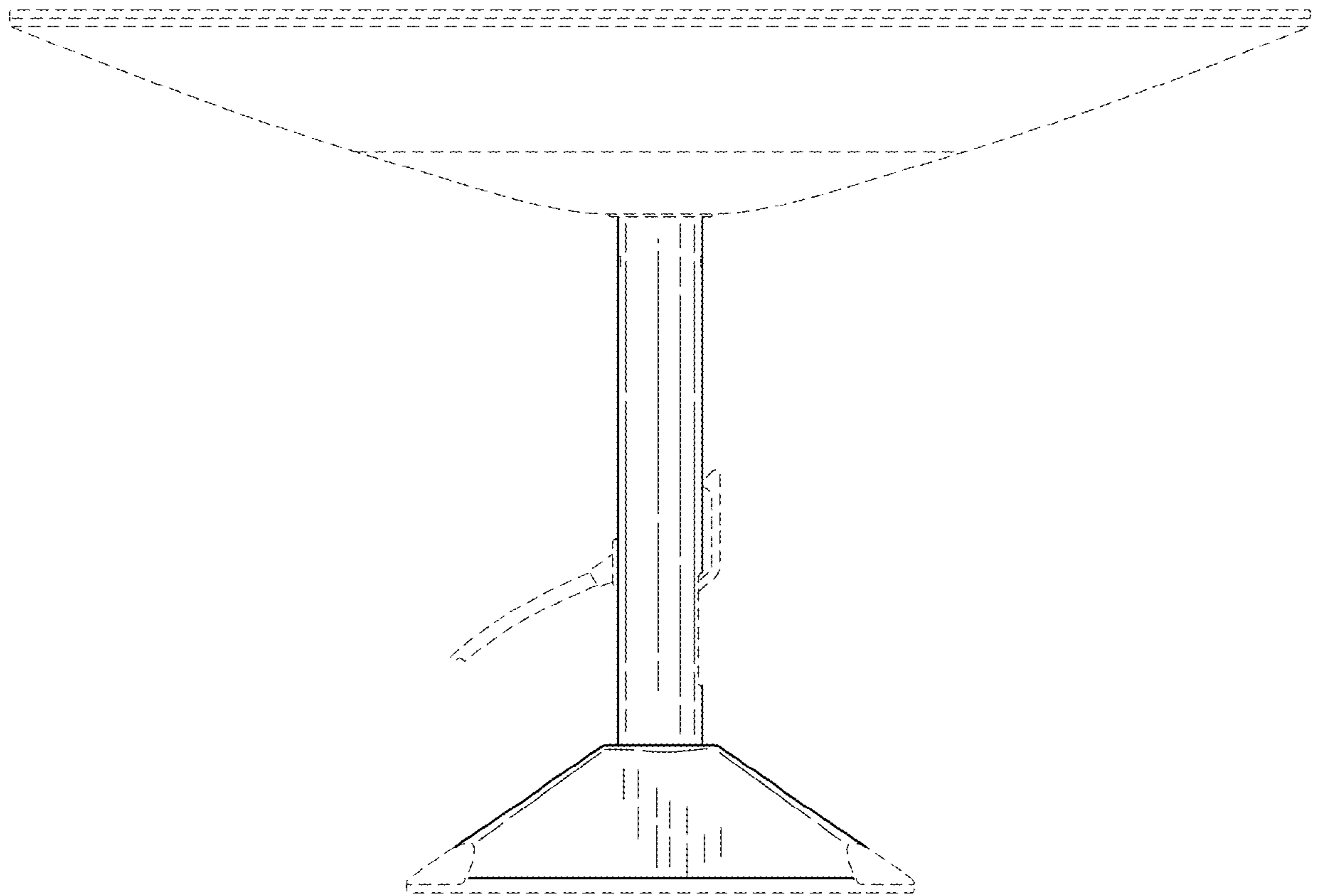


FIG.9

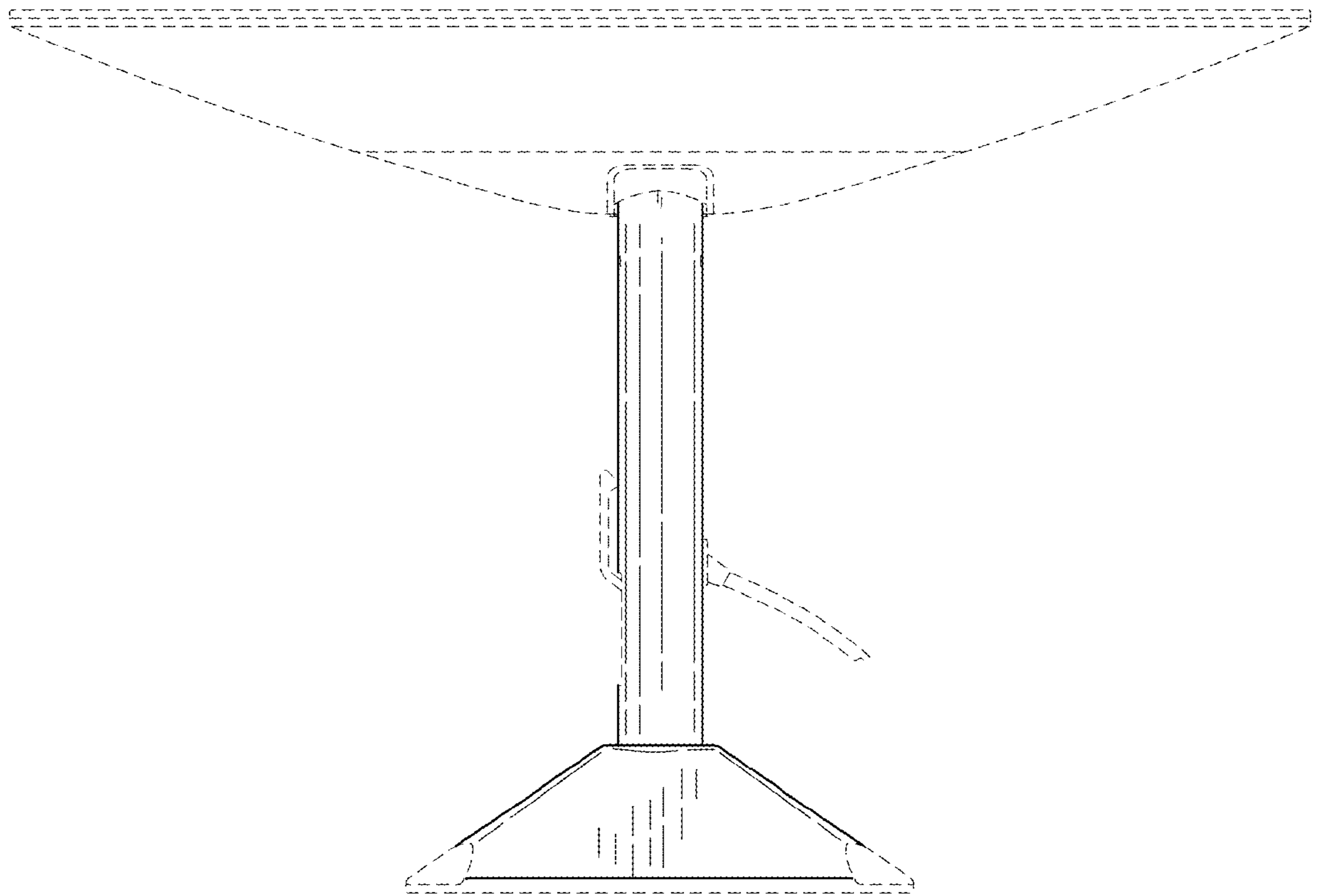


FIG.10