



US00D962906S

(12) **United States Design Patent**
Shaffner et al.

(10) **Patent No.:** **US D962,906 S**
(45) **Date of Patent:** **** Sep. 6, 2022**

(54) **ANTENNA APPARATUS**

(71) Applicant: **Space Exploration Technologies Corp.**, Hawthorne, CA (US)

(72) Inventors: **Jackson Shaffner**, Hawthorne, CA (US); **Ryan Kennett**, Hawthorne, CA (US); **Anthony Sims**, Hawthorne, CA (US); **David Milroy**, Hawthorne, CA (US); **Duncan Edwin Adams**, Hawthorne, CA (US)

(73) Assignee: **Space Exploration Technologies Corp.**, Hawthorne, CA (US)

(**) Term: **15 Years**

(21) Appl. No.: **29/720,089**

(22) Filed: **Jan. 9, 2020**

(51) **LOC (13) Cl.** **14-03**

(52) **U.S. Cl.**
USPC **D14/230**

(58) **Field of Classification Search**
USPC D14/230, 231, 155, 216
(Continued)

(56) **References Cited**

U.S. PATENT DOCUMENTS

D322,254 S * 12/1991 Su D14/230
5,185,499 A * 2/1993 Yahraus H01R 31/02
174/59

(Continued)

FOREIGN PATENT DOCUMENTS

CN 202030073563.X * 7/2020
CN 305965554 * 8/2020

(Continued)

OTHER PUBLICATIONS

Shakespeare Seawatch 15" Marine TV Antenna . . . , available in hodge marine.com, oldest review date Jun. 9, 2017 [online], [site

visited Feb. 8, 2022], Internet URL:https://www.hodge marine.com/sha3015-shakespeare-seawatchreg-15-marine-tv-antenna.html (Year: 2017).*

(Continued)

Primary Examiner — Daniel J Domino

Assistant Examiner — Samina Vieth

(74) *Attorney, Agent, or Firm* — Polsinelli PC

(57) **CLAIM**

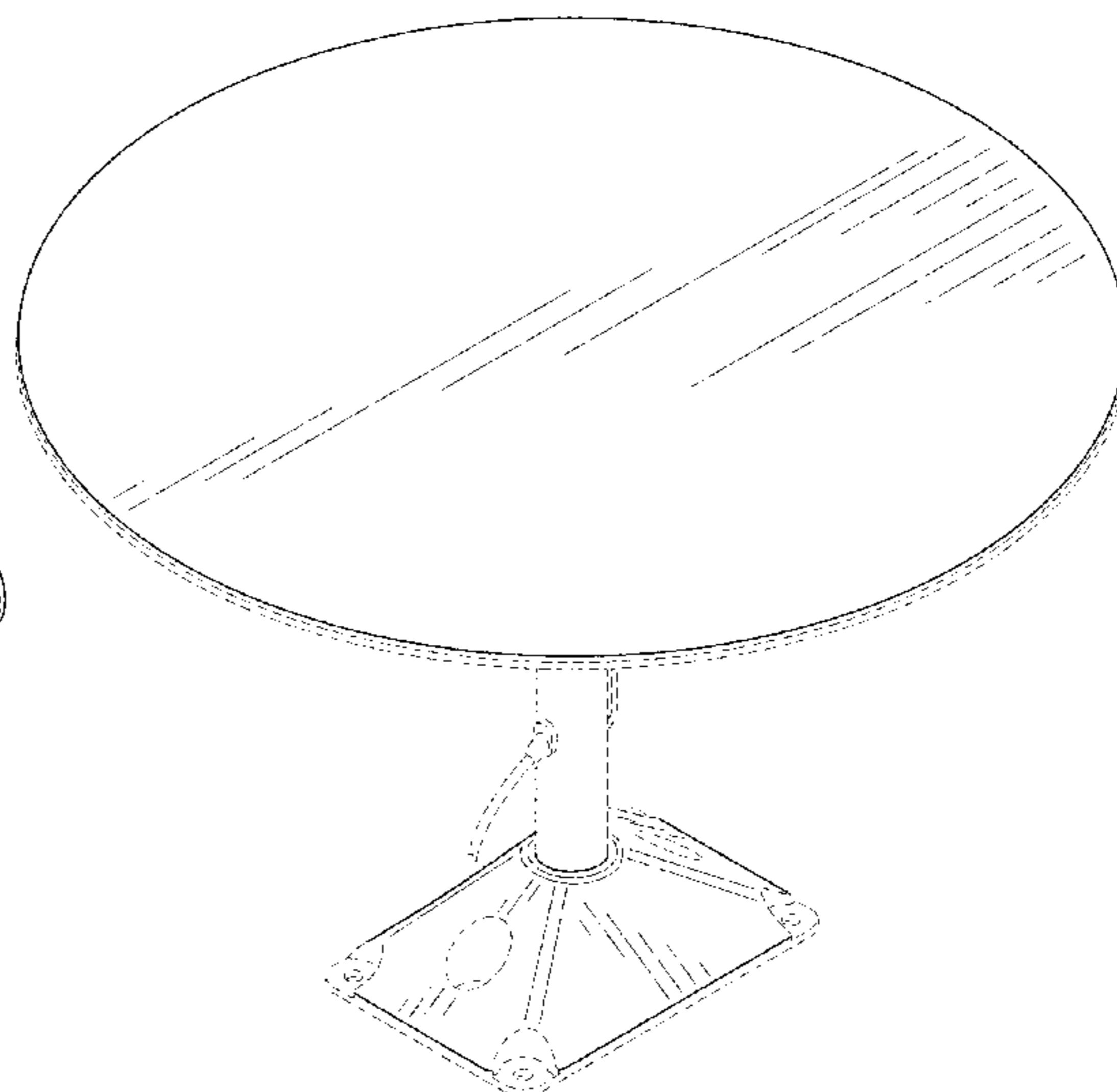
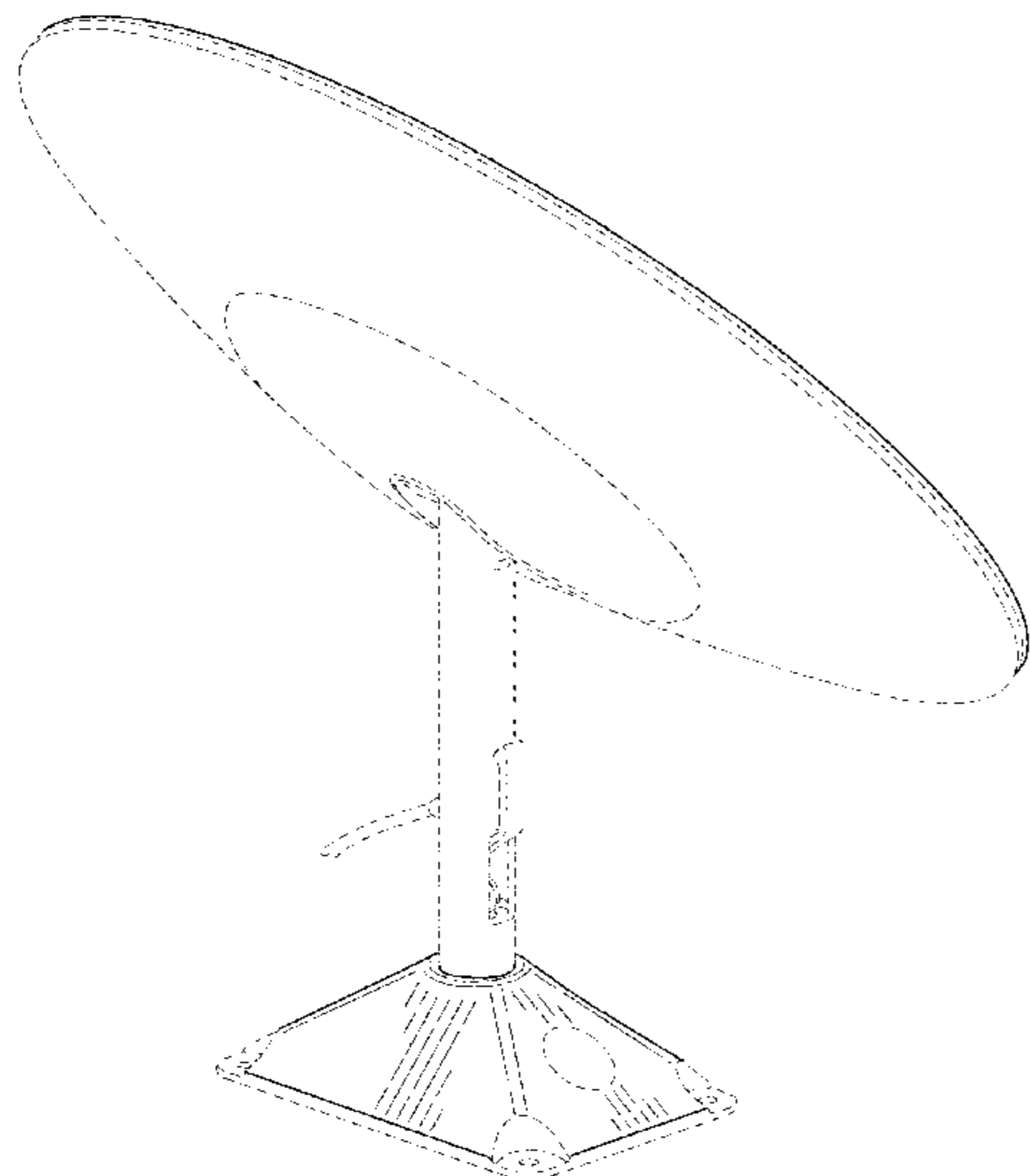
The ornamental design for an antenna apparatus, as shown and described.

DESCRIPTION

FIG. 1 is a bottom perspective view of an antenna apparatus shown in a first configuration;
FIG. 2 is a left side view of the antenna apparatus shown in FIG. 1;
FIG. 3 is a top perspective view of the antenna apparatus of FIG. 1 shown in a second configuration;
FIG. 4 is a bottom perspective view of the antenna apparatus shown in FIG. 3;
FIG. 5 is a left side view of the antenna apparatus shown in FIG. 3;
FIG. 6 is a right side view of the antenna apparatus shown in FIG. 3;
FIG. 7 is a top view of the antenna apparatus shown in FIG. 3;
FIG. 8 is a bottom view of the antenna apparatus shown in FIG. 3;
FIG. 9 is a front view of the antenna apparatus shown in FIG. 3; and,
FIG. 10 is a rear view of the antenna apparatus shown in FIG. 3.

The broken lines shown in the figures represent portions of the antenna apparatus that form no part of the claimed design.

1 Claim, 10 Drawing Sheets



(58) **Field of Classification Search**

CPC H01Q 13/18; H01Q 19/132; H01Q 1/20;
 H01Q 19/134; H01Q 19/19; H01Q 19/20;
 H01Q 9/28; H01Q 1/44; H01Q 5/45;
 G01S 3/56

See application file for complete search history.

FOREIGN PATENT DOCUMENTS

CN	306587742	*	6/2021
JP	D1676652	*	1/2011
JP	D1676653	*	12/2020
JP	D2019-502268	*	1/2021
JP	D1676650	*	1/2021
JP	D1676651	*	1/2021

(56) **References Cited**

U.S. PATENT DOCUMENTS

5,233,356	A *	8/1993	Lee	H01Q 21/22 342/368
D389,155	S *	1/1998	Inoue	D14/231
D409,622	S *	5/1999	Inoue	D14/231
6,538,605	B2 *	3/2003	Lebaric	H01Q 9/36 343/702
D535,648	S *	1/2007	Miura	D14/233
7,161,549	B1 *	1/2007	Cuchanski	H01Q 19/19 343/781 CA
D606,952	S *	12/2009	Lee	D13/182
D696,649	S *	12/2013	Siemers	D14/231
D793,572	S *	8/2017	Kozuka	D24/224
D803,342	S *	11/2017	Goff	D22/199
D807,481	S *	1/2018	Iu	D23/314
D843,984	S *	3/2019	Yang	D14/230
D864,172	S *	10/2019	Yang	D14/230
D868,993	S *	12/2019	Isozaki	D24/224
D868,995	S *	12/2019	Tanaka	D24/225
D907,609	S *	1/2021	Courtney	D14/230
D924,854	S *	7/2021	Zhao	D14/230
D942,431	S *	2/2022	Zhao	D14/230
2008/0278399	A1 *	11/2008	Nakajima	H01Q 1/42 343/878
2011/0193764	A1 *	8/2011	Shen	H01Q 1/125 343/882
2020/0381816	A1 *	12/2020	Milroy	H01Q 9/0414
2020/0381842	A1 *	12/2020	Milroy	H01Q 15/144
2021/0135696	A1 *	5/2021	Jang	H04B 1/28

OTHER PUBLICATIONS

Wilson Outdoor Antenna Mounts, available in wilsonamplifiers.com, oldest review date Feb. 1, 2020 [online], [site visited Feb. 8, 2022], Internet URL: https://www.wilsonamplifiers.com/wilson-outdoor-antenna-mounts/?sku=WA901117&gclid=EAIaIQobChMjPzPpqHz9QIVgb2GCh0eNwiWEAQYBy-ABEgKSQPD_BwE (Year: 2020).*

Heying 15pcs Black Acrylic Round Circle . . . , available at amazon.com, date first available Jun. 2, 2018 [online], [site visited Feb. 7, 2022], Internet URL: https://www.amazon.com/dp/B07DH4FD38/ref=cm_sw_em_r_mt_dp_4QB2B14JCCCZJH3HWM7G (Year: 2008).*

Adhesive Disk to Mount Magnetic Antenna . . . , available at signalbooster.com, oldest review date Jul. 19, 2021 [online], [site visited Feb. 7, 2022], Internet URL: <https://www.signalbooster.com/products/adhesive-disk-to-mount-magnetic-antenna-on-non-magnet-vehicle-roof> (Year: 2021).*

Ozgoe, JF-03 Happy Bell (8 Pack) Mount Metal . . . , available at amazon.com, date first available Dec. 6, 2015 [online], [site visited Feb. 10, 2022], Internet URL: https://www.amazon.com/Ozgoe-JF-03-Magnetic-Adhesive-Rectangular/dp/B0190BLT2M/ref=psdc_1293686011_t4_B0823FLL2C (Year: 2015).*

* cited by examiner

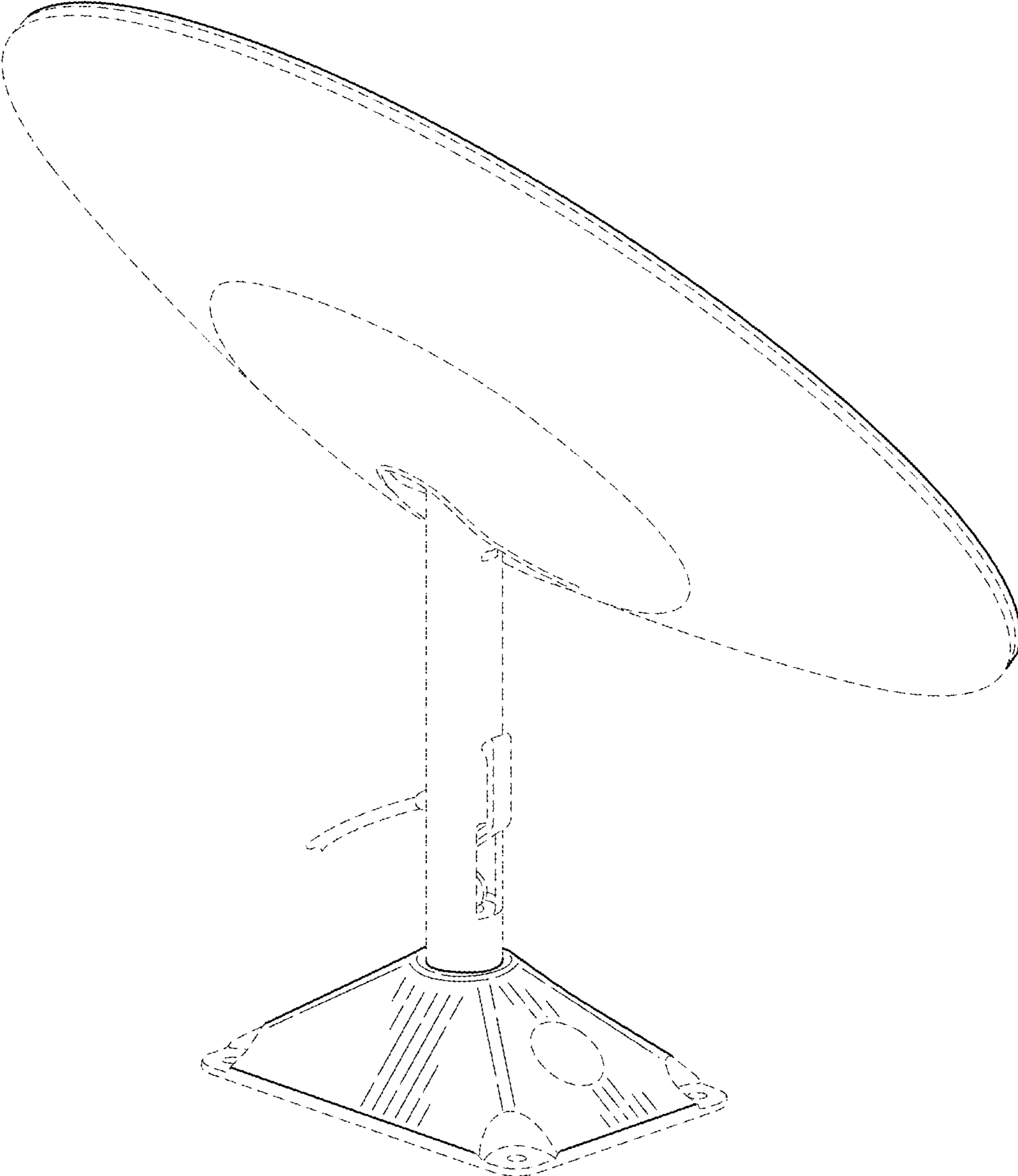


FIG. 1

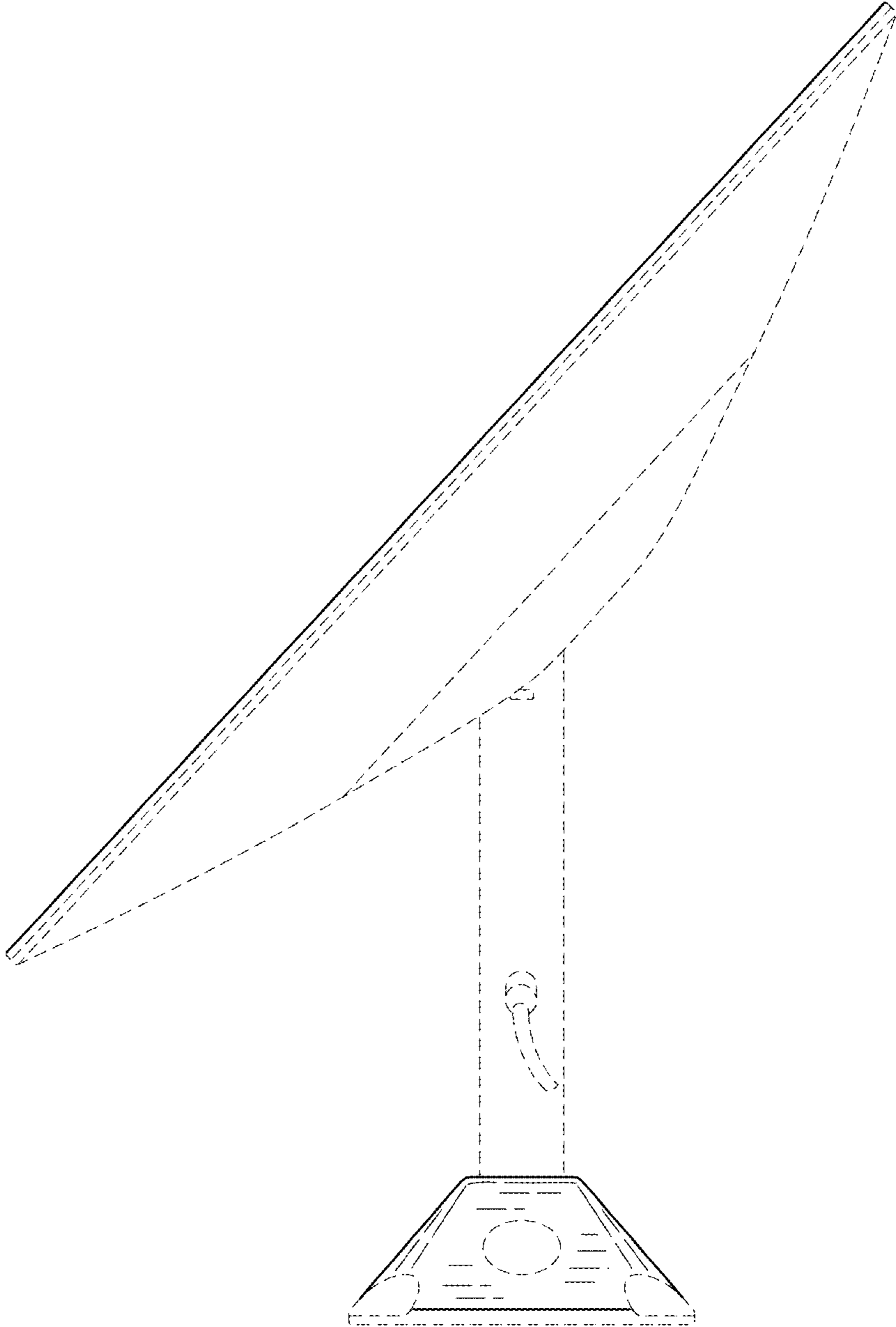


FIG.2

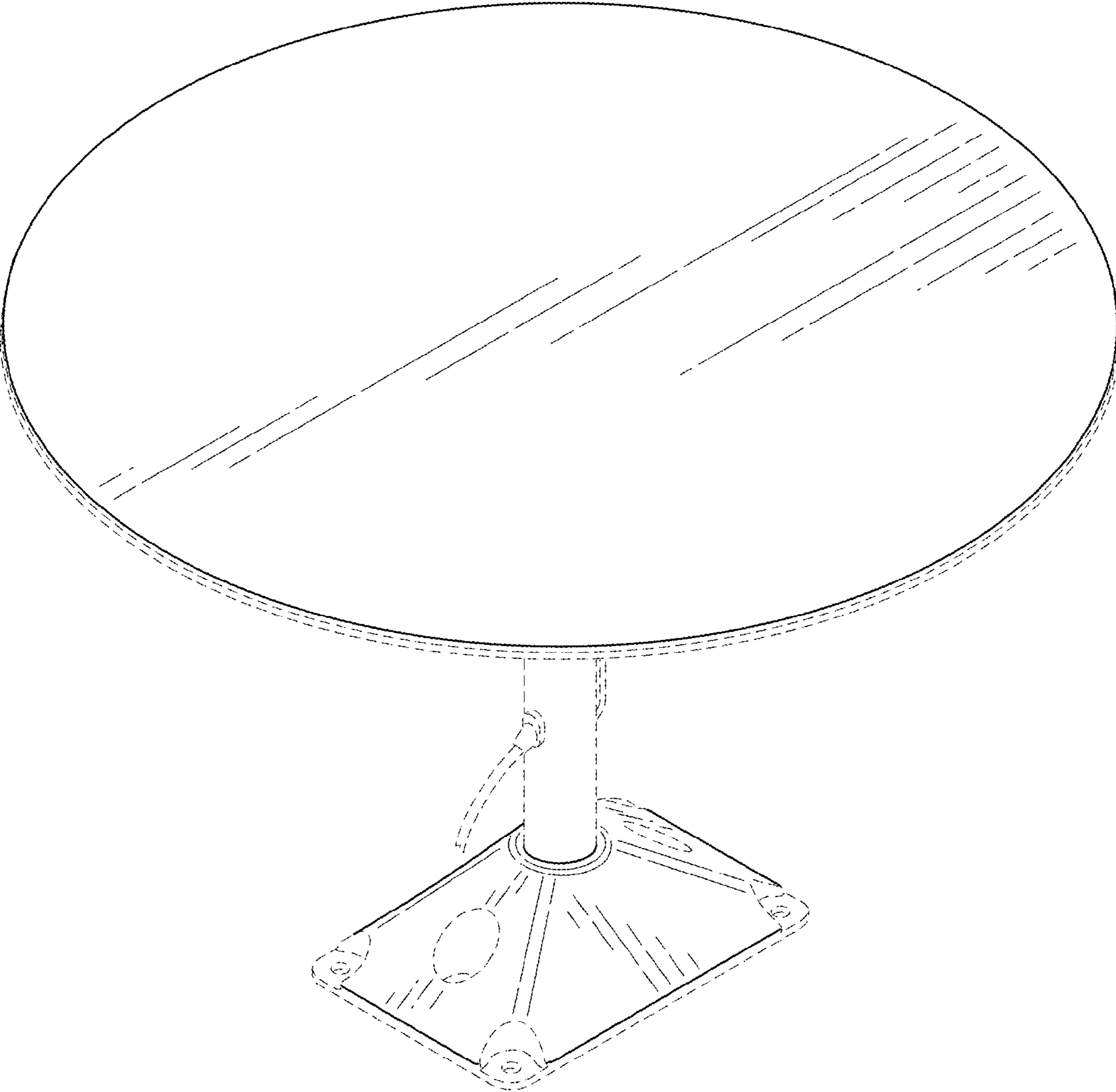


FIG.3

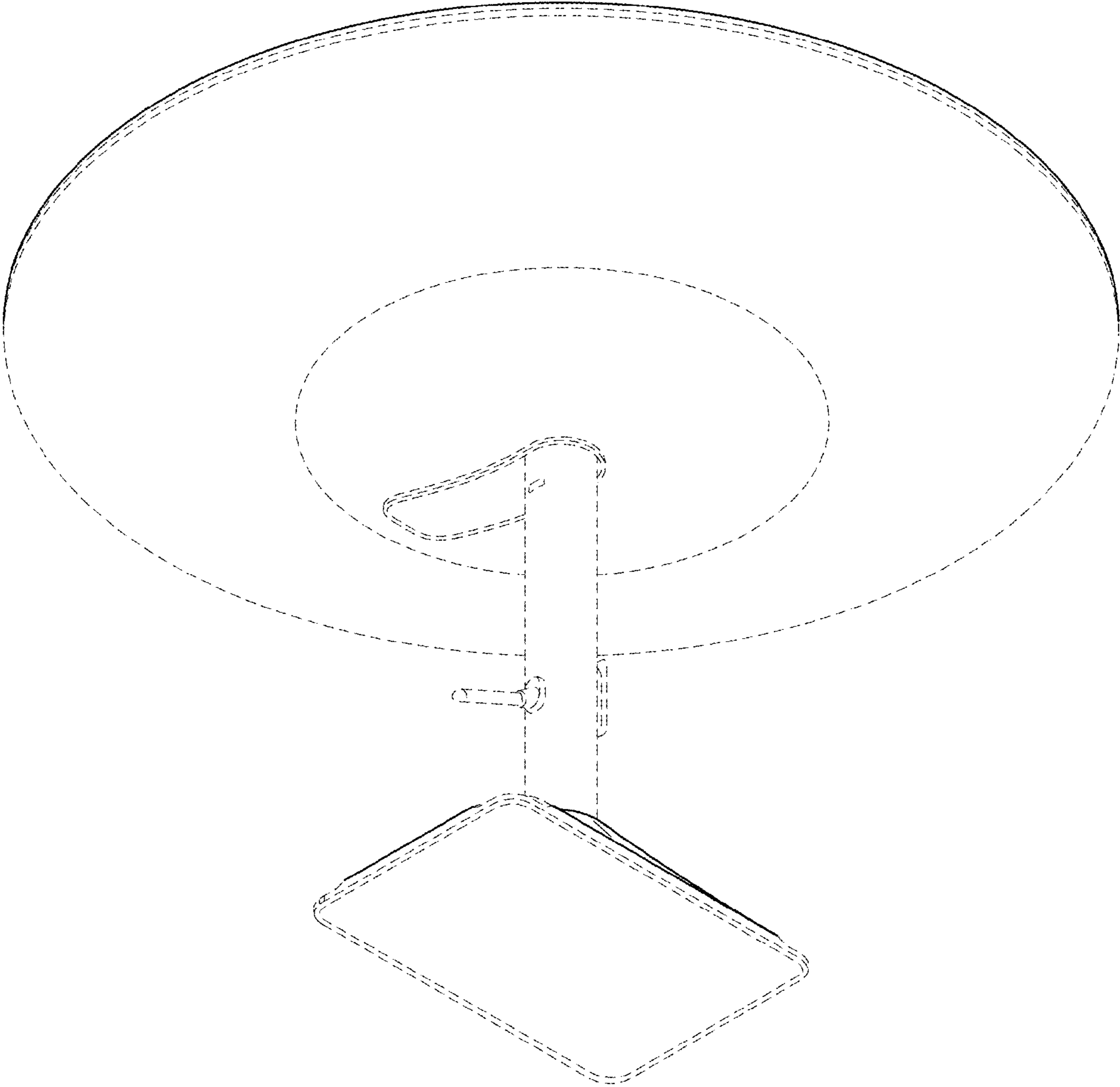


FIG.4

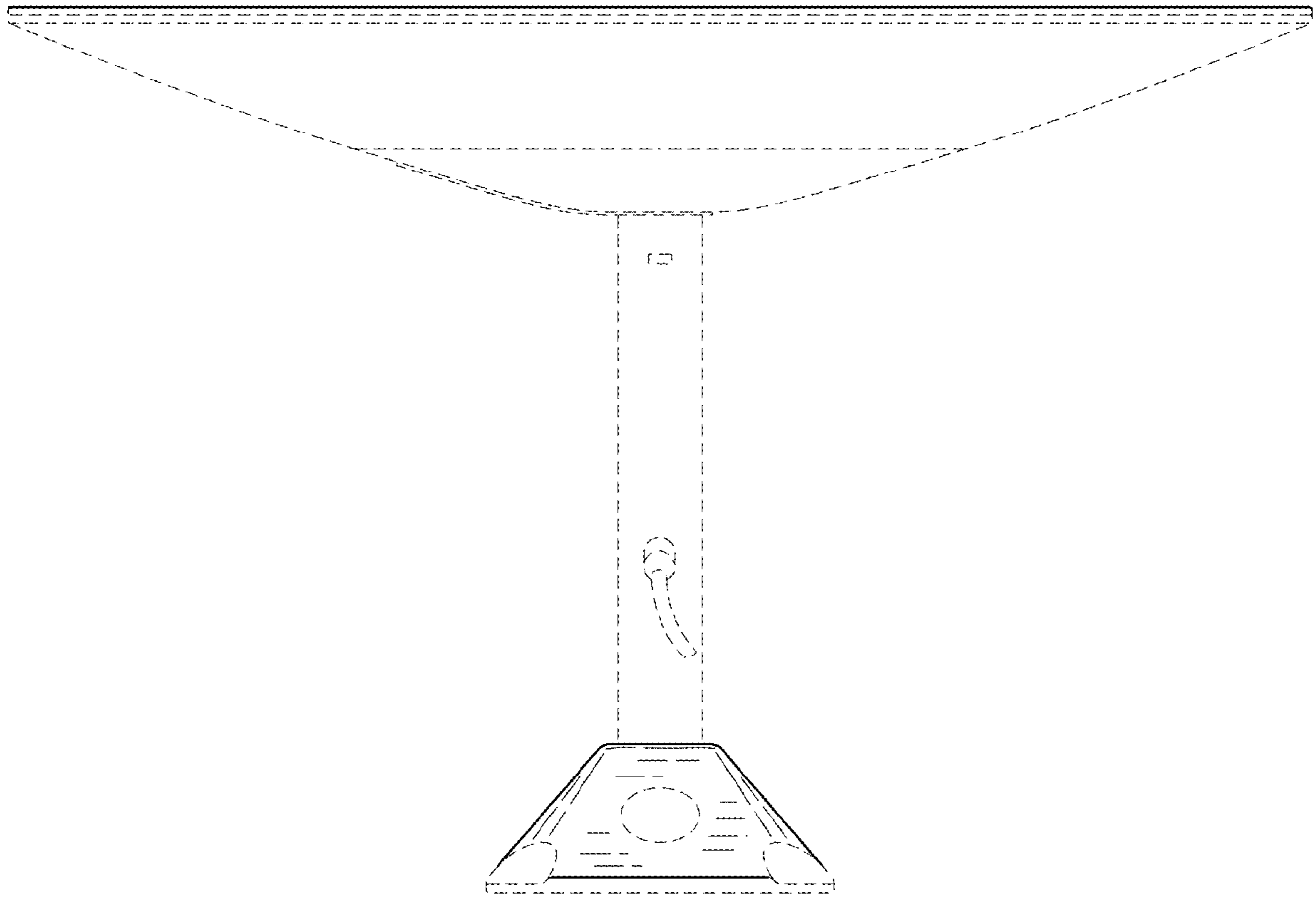


FIG.5

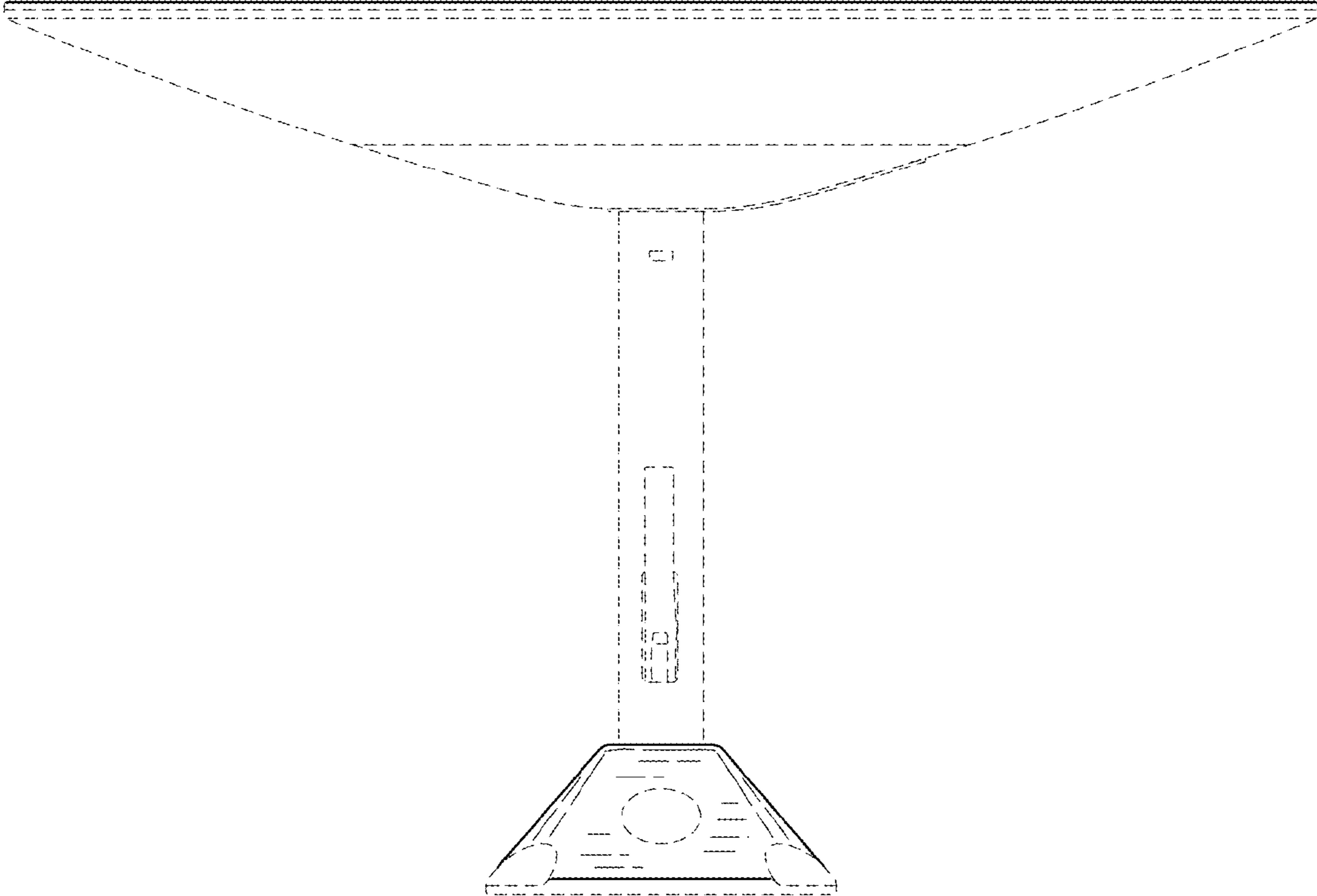


FIG.6

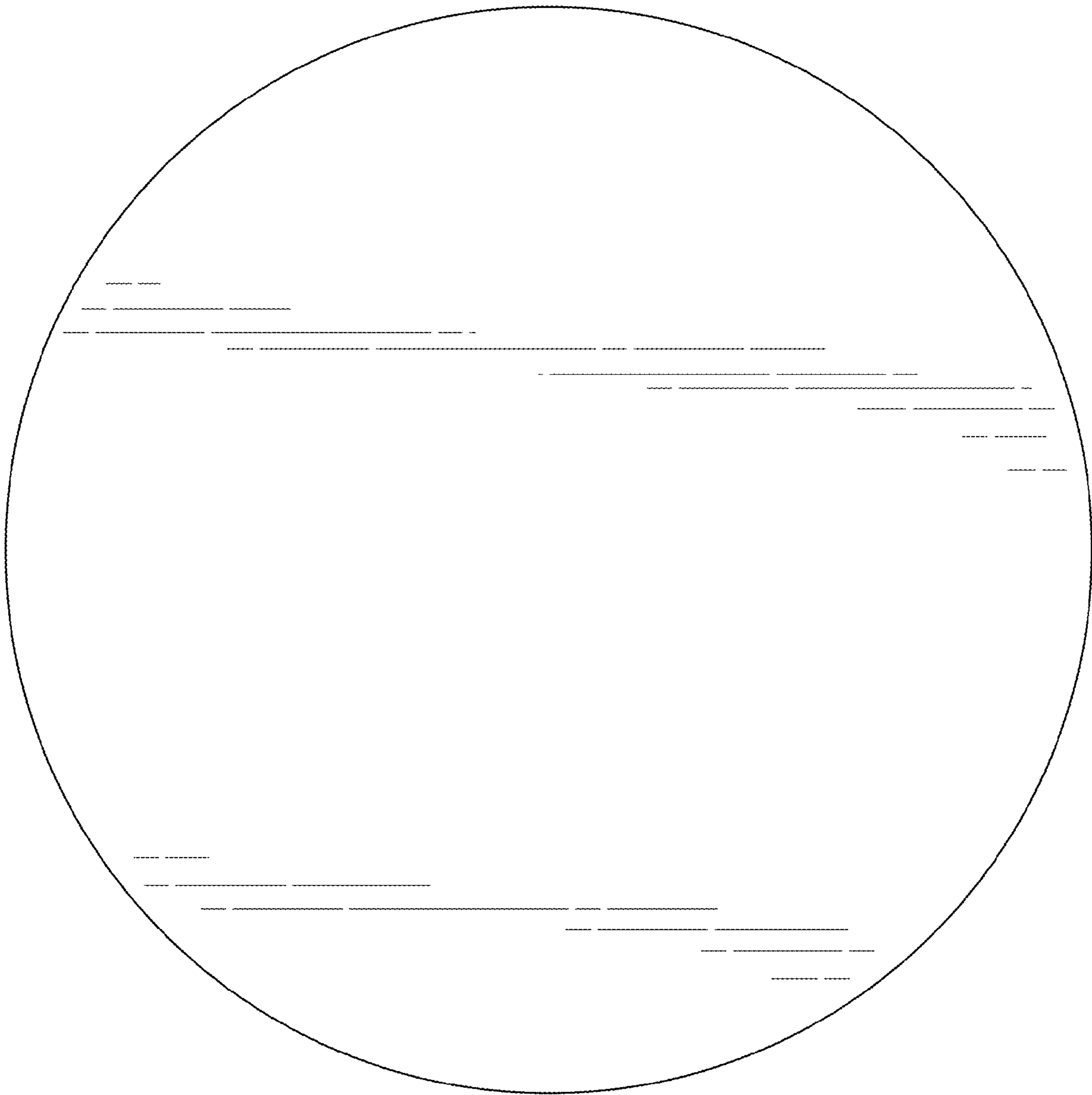


FIG.7

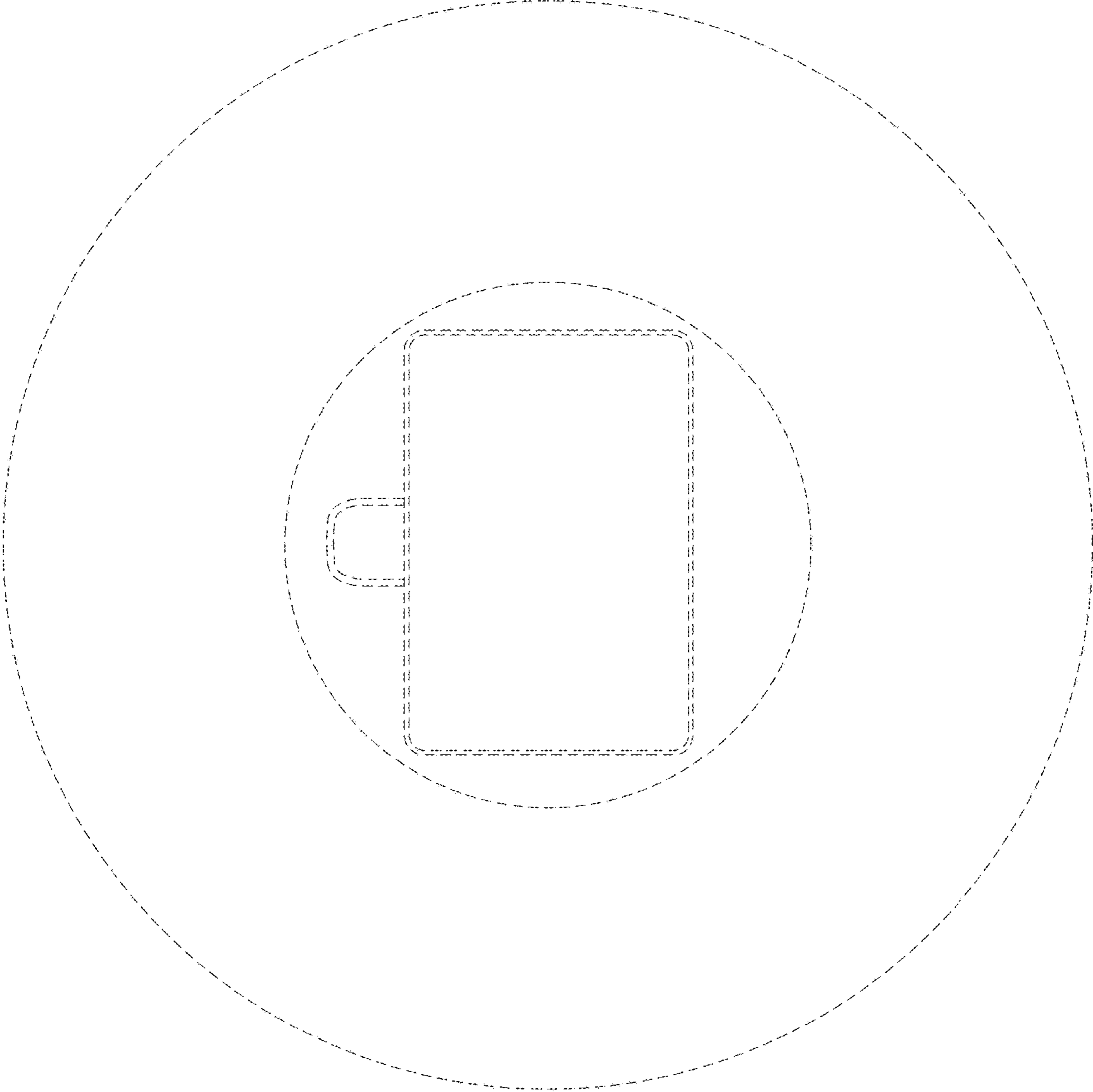


FIG.8

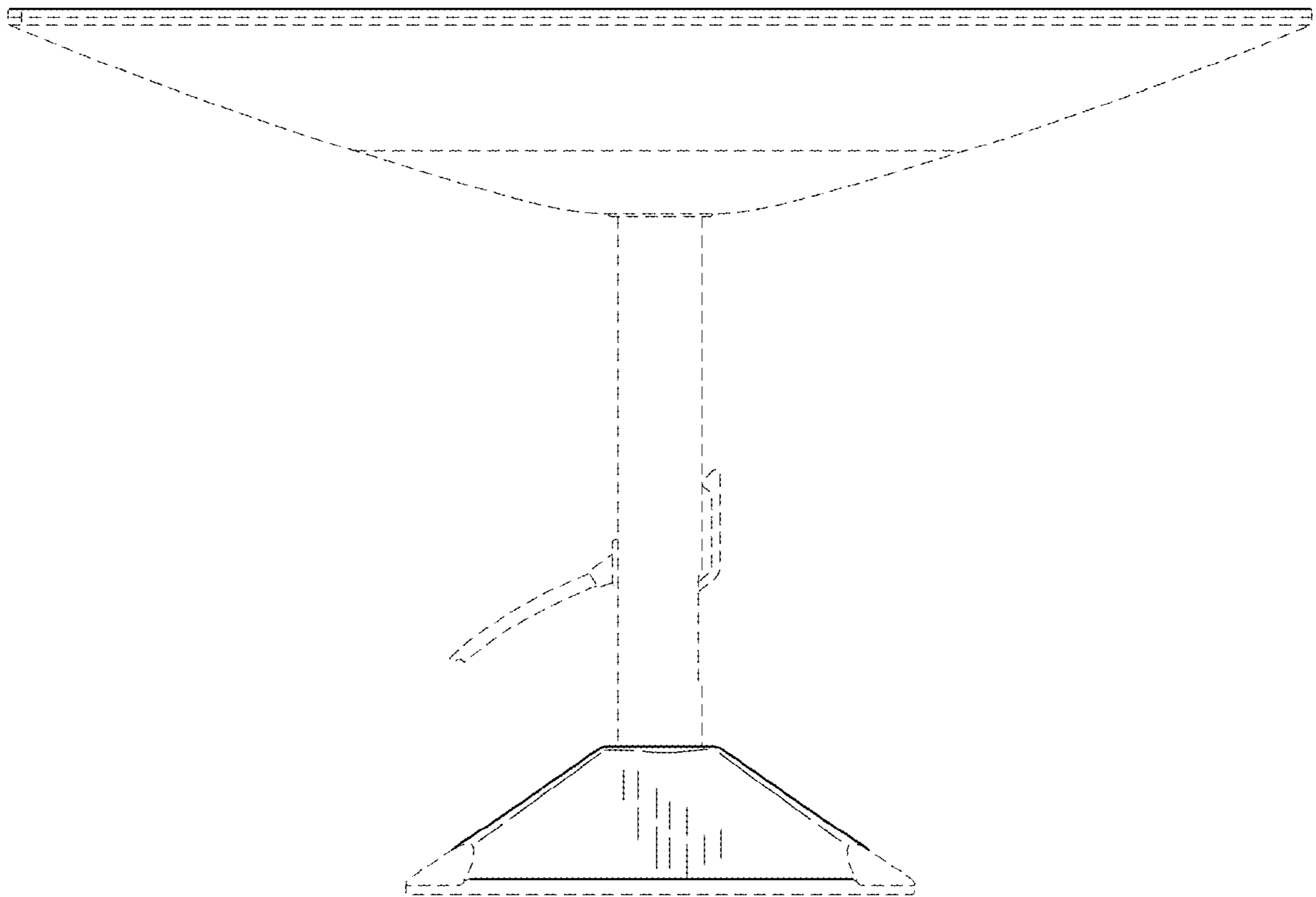


FIG.9

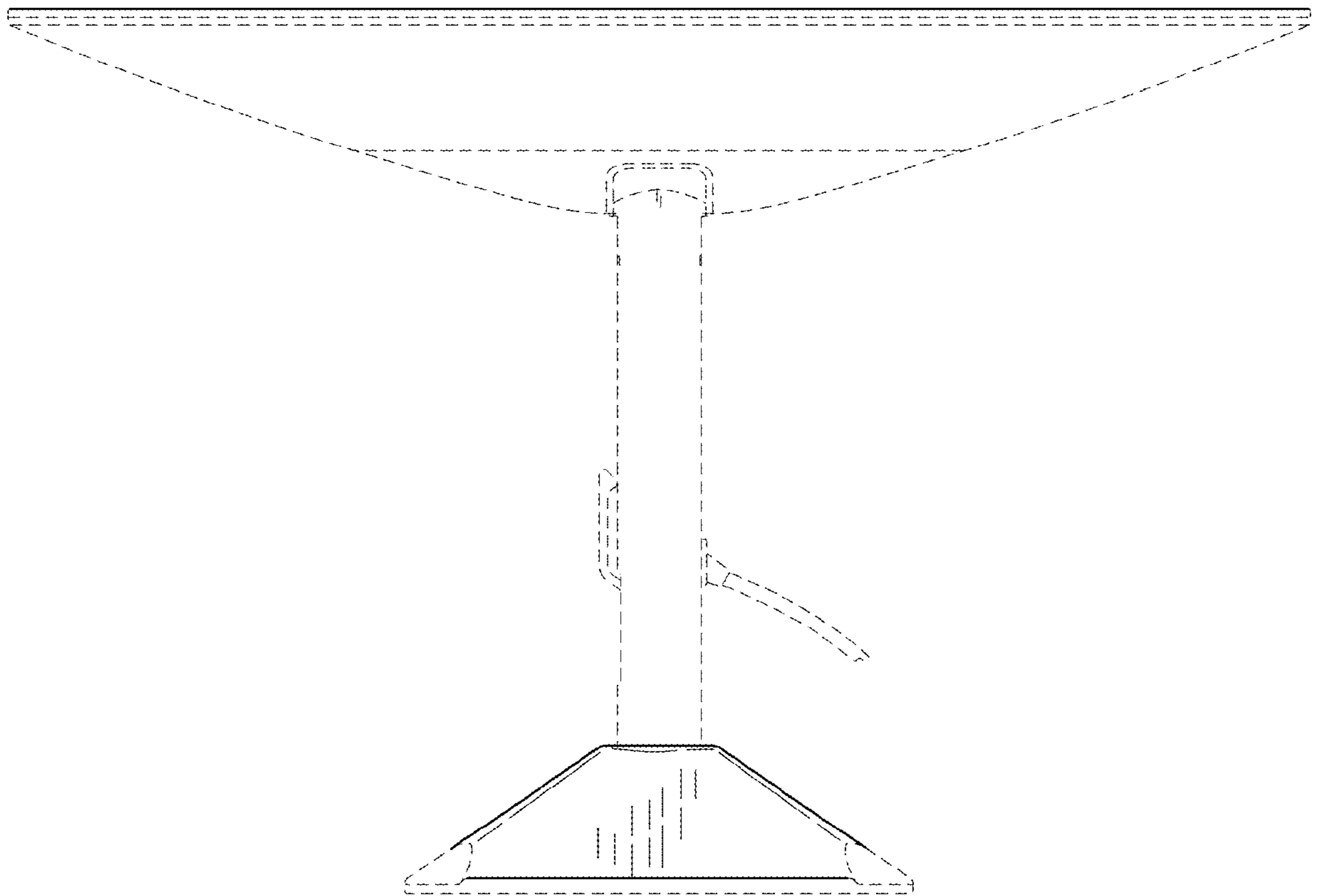


FIG.10